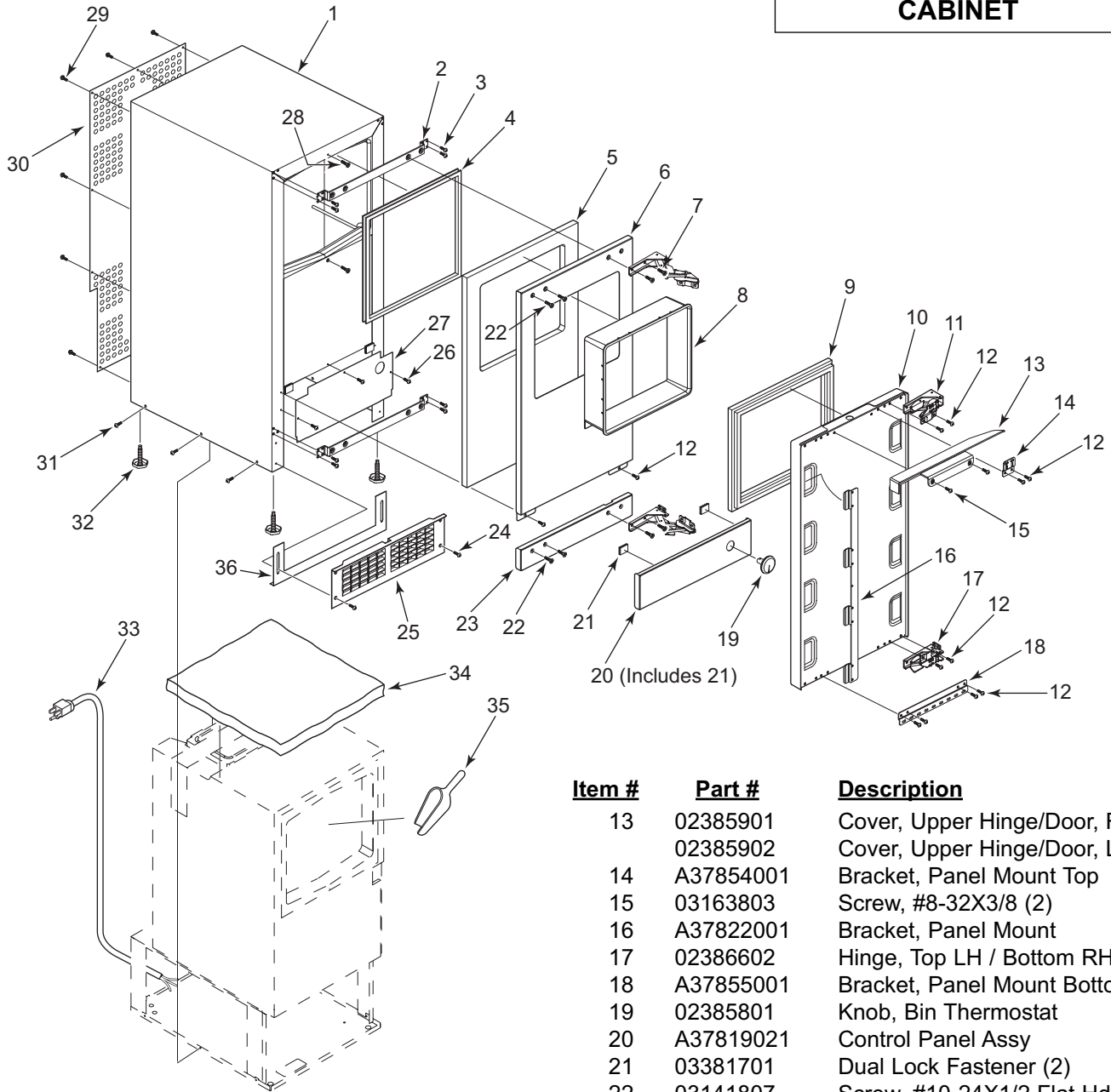




SECTION 6

PARTS LISTS & EXPLODED VIEWS

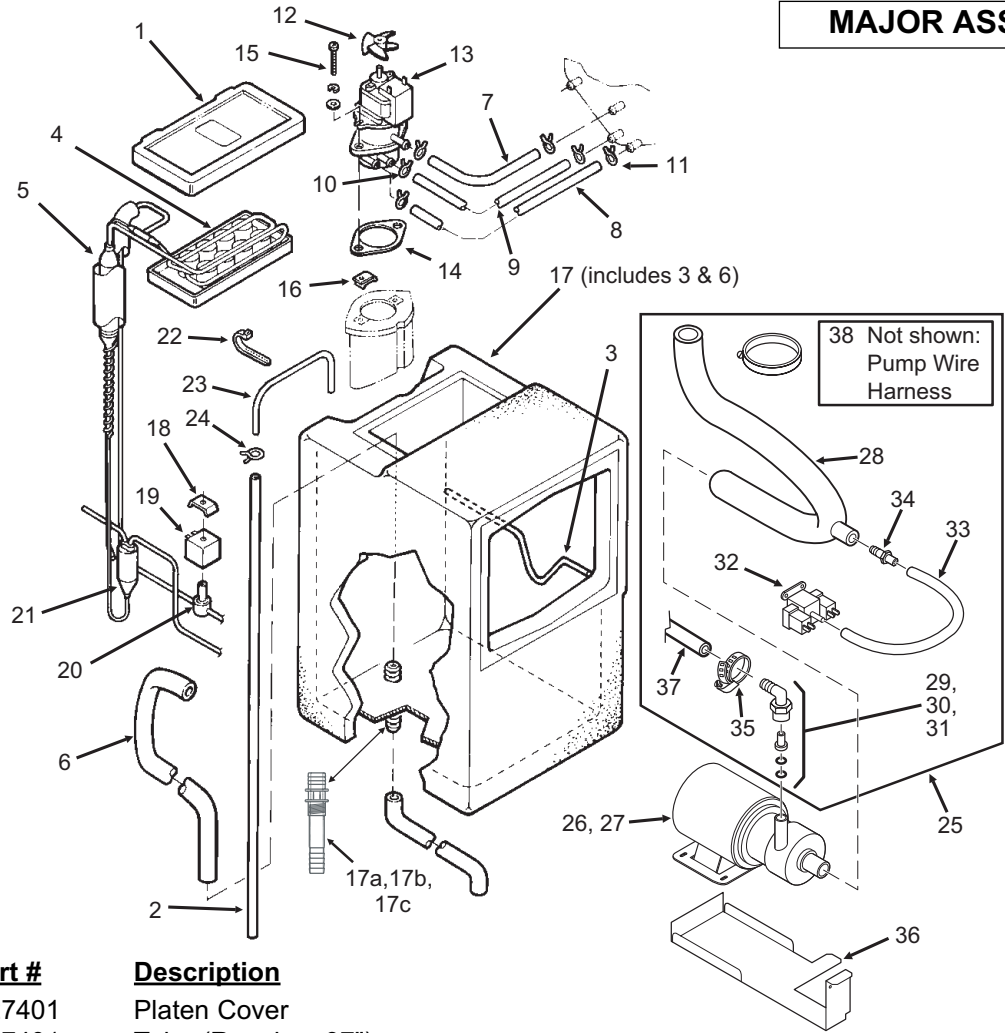
CABINET



| Item # | Part # | Description |
|--------|-----------|------------------------------|
| 1 | A28861023 | Cabinet/Shell |
| 2 | 02386701 | Support, Hinge Mount |
| 3 | 03381401 | Screw, #8-32X3/8 Fill Hd (8) |
| 4 | 13082801 | Gasket, Decor Trim |
| 5 | 13093501 | Seal, Bin (EPS Sheet) |
| 6 | A37814001 | Face Plate, Upper Cabinet |
| 7 | 03381301 | Screw, #10-24X5/8 Hd (4) |
| 8 | 02385701 | Trim Ring, Bin |
| 9 | 13093601 | Gasket, Door |
| 10 | A37886021 | Door |
| 11 | 02386601 | Hinge, Top RH / Bottom LH |
| 12 | 03381801 | Screw, #10-24X1/2 (10) |

| Item # | Part # | Description |
|--------|-----------|------------------------------|
| 13 | 02385901 | Cover, Upper Hinge/Door, RH |
| | 02385902 | Cover, Upper Hinge/Door, LH |
| 14 | A37854001 | Bracket, Panel Mount Top |
| 15 | 03163803 | Screw, #8-32X3/8 (2) |
| 16 | A37822001 | Bracket, Panel Mount |
| 17 | 02386602 | Hinge, Top LH / Bottom RH |
| 18 | A37855001 | Bracket, Panel Mount Bottom |
| 19 | 02385801 | Knob, Bin Thermostat |
| 20 | A37819021 | Control Panel Assy |
| 21 | 03381701 | Dual Lock Fastener (2) |
| 22 | 03141807 | Screw, #10-24X1/2 Flat Hd(4) |
| 23 | A37815001 | Face Plate, Lower Cabinet |
| 24 | 03381601 | Screw, #8X1/2 Black (2) |
| 25 | 02224302 | Kickplate |
| 26 | 03140407 | Screw, #6 (3) |
| 27 | A37858001 | Panel, Inner Control Access |
| 28 | 03141908 | Screw, A B Flat Hd (2) |
| | 02270101 | Spacer (1) |
| 29 | 03140408 | Screw, Thread Forming (9) |
| 30 | A29102001 | Rear Panel |
| 31 | 03143100 | Screw, #10 (6) |
| 32 | 03160801 | Leveler Leg (4) |
| 33 | 12163807 | Power Cord |
| 34 | A26787001 | Insulation (in bag) |
| 35 | 08066401 | Scoop |
| 36 | 02398801 | Filler, Kickplate |

MAJOR ASSEMBLIES



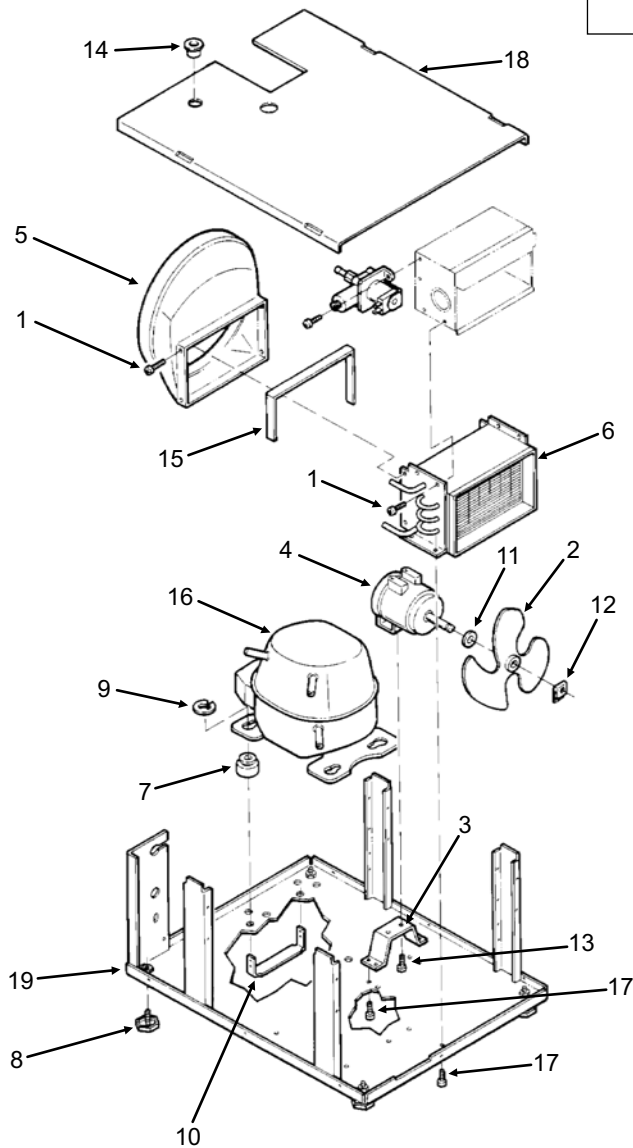
| Item # | Part # | Description |
|--------|-----------|--|
| 1 | 02227401 | Platen Cover |
| 2 | 13067401 | Tube (Requires 37") |
| 3 | A34816001 | Bin Thermostat Bracket |
| 4 | 02348920 | Evaporator (Does NOT include accumulator & tubing) |
| 5 | A36699020 | Evaporator Assy, Complete |
| 6 | 13089901 | Reservoir Drain hose |
| 7 | 13067416 | Tube, 5/8" (Requires 4-1/4") |
| 8 | 13067415 | Tube, 1/2" (Requires 3-1/2") |
| 9 | 13067415 | Tube 1/2" (Requires 3-5/8") |
| 10 | 02177502 | Clamp (2) |
| 11 | 02053401 | Clamp (4) |
| 12 | 02171900 | Fan Blade |
| 13 | A30625001 | Spray Pump |
| 14 | 13068700 | Gasket |
| 15 | 03140414 | Screw (2) |
| 16 | 03142204 | Speed Nut (2) |
| 17 | A36930020 | Bin Assembly |
| 17a | 02332301 | Drain fitting (foamed in bin) |
| 17b | 13061713 | O-Ring |
| 17c | 03139405 | Pal nut |
| 18 | 12256903 | Clip, Hot Gas Valve |
| 19 | 12256902 | Coil, Hot Gas Valve |
| 20 | 12256901 | Hot Gas Valve Body |
| 21 | 02349001 | Drier |

| Item # | Part # | Description |
|--------|-----------|--|
| 22 | A27028001 | Tube Holder |
| 23 | A27027001 | Copper Inlet |
| 24 | 02172701 | Clamp |
| 25 | A36892020 | Drain Pump Kit, Complete (To convert gravity drain model to drain pump model.) |
| 26 | 12250321 | Drain Pump Only |

| Drain Pump Kit Service Parts | | |
|------------------------------|-----------|------------------------|
| Item # | Part # | Description |
| 27 | 02353201 | Impeller & housing kit |
| 28 | 02336901 | Inlet hose |
| 29 | 02352201 | Elbow |
| 30 | 02337401 | Check Valve |
| 31 | 13061708 | O-Ring |
| 32 | 11050401 | Pressure Switch |
| 33 | 05059101 | Hose, Pressure Sense |
| 34 | 02340601 | Barb Connector |
| 35 | 02281411 | Clamp, Plastic Hose |
| 36 | A36746001 | Bracket, Pump |
| 37 | A37334001 | Discharge hose |
| 38 | 12258001 | Wire Harness, Pump |

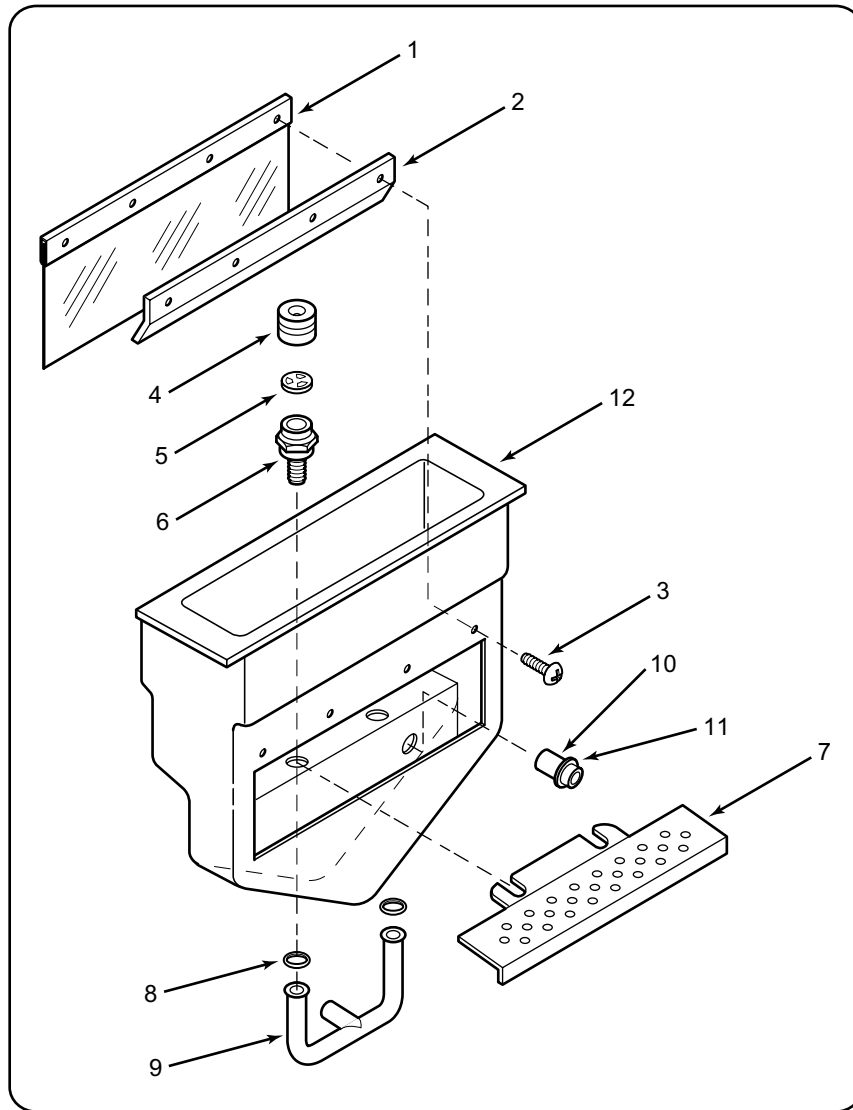


CONDENSING UNIT



| <u>Item #</u> | <u>Part #</u> | <u>Description</u> | <u>Item #</u> | <u>Part #</u> | <u>Description</u> |
|---------------|---------------|--------------------|---------------|---------------|------------------------|
| 1 | 03140408 | Screw (4) | 11 | 18875210 | Spacer |
| 2 | 18371001 | Fan Blade | 12 | 18875211 | Nut |
| 3 | A28798001 | Fan Motor Bracket | 13 | 18875212 | Screw |
| 4 | 12239601 | Fan Motor | 14 | 12121310 | Bushing |
| 5 | 02287101 | Fan Shroud | 15 | 13060900 | Gasket (Req. 14-1/2") |
| 6 | 18372901 | Condenser | 16 | 18877621 | Compressor, Complete |
| 7 | 18470028 | Grommet | 17 | 03153101 | Screw (4) |
| 8 | 03160801 | Leg Leveler | 18 | A37732001 | Top Base Plate |
| 9 | 02249701 | Clip | 19 | A28921001 | Bottom Base Plate |
| 10 | A29015001 | Bracket | | | |

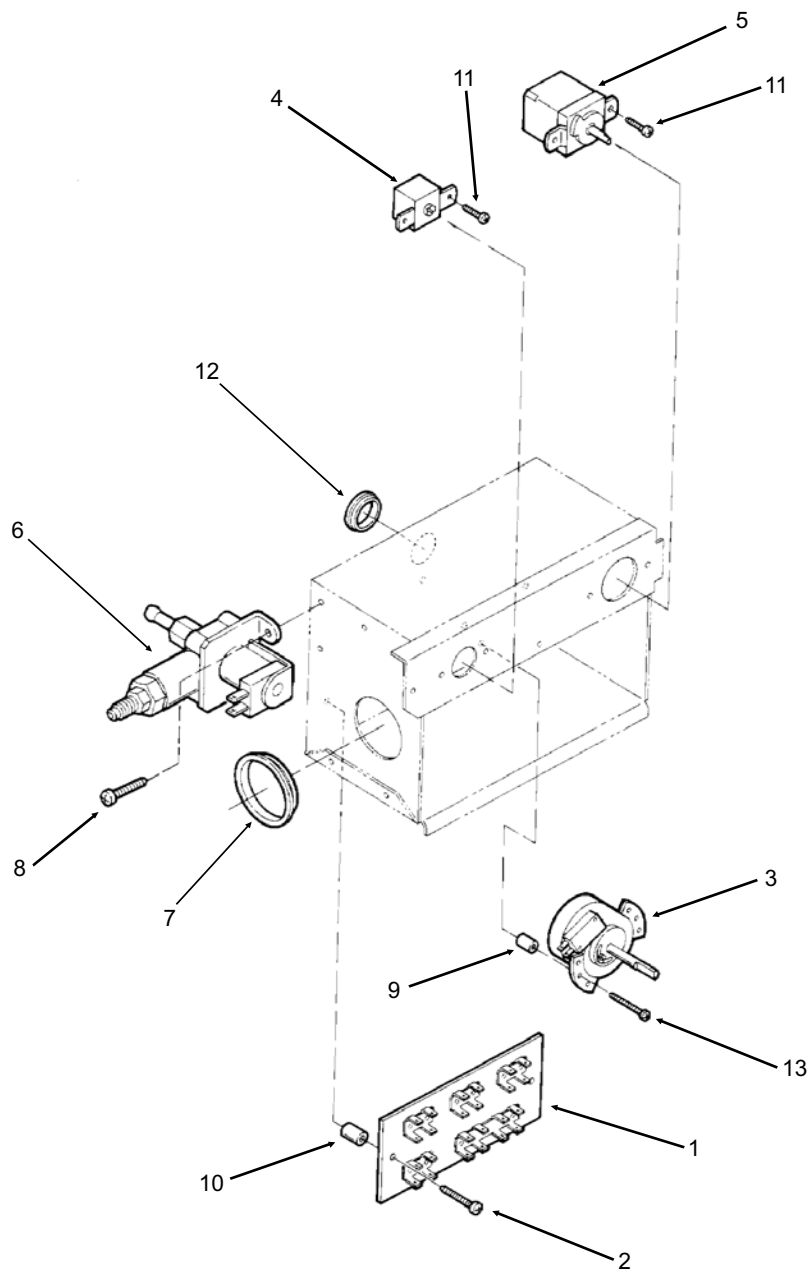
RESERVOIR



| <u>Item #</u> | <u>Part #</u> | <u>Description</u> | <u>Item #</u> | <u>Part #</u> | <u>Description</u> |
|---------------|---------------|--------------------|---------------|---------------|--------------------|
| 1 | 02247921 | Curtain | 8 | 13061708 | O-Ring |
| 2 | A24155001 | Curtain Stiffener | 9 | 02270401 | Spray Bar Assy |
| 3 | 03140416 | Screw | 10 | 05059301 | SS Nipple |
| 4 | 02184100 | Nozzle | 11 | 13061701 | O-Ring |
| 5 | A09543000 | Spinner | 12 | 02192301 | Bin Insert |
| 6 | 02184000 | Jet Base | 13 | A22532000 | Bin Insert Assy |
| 7 | A22518000 | Cube Chute | | | |

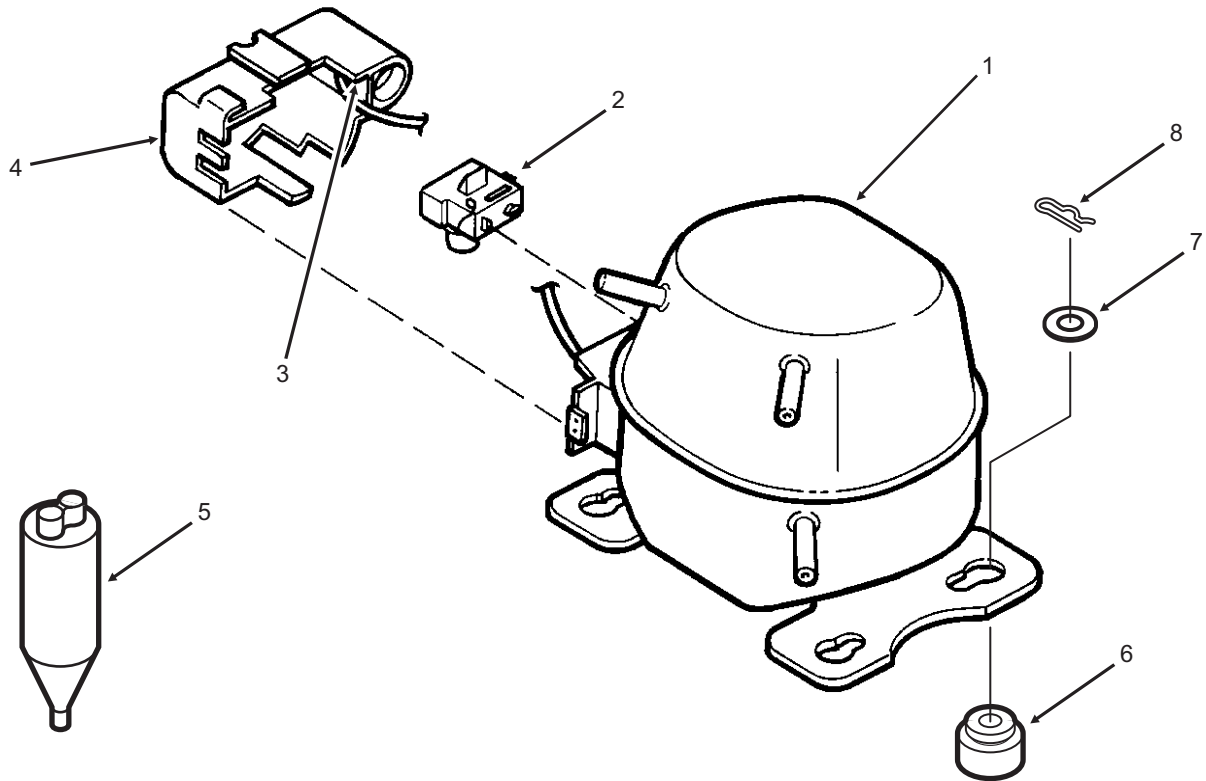


CONTROL BOX



| <u>Item #</u> | <u>Part #</u> | <u>Description</u> | <u>Item #</u> | <u>Part #</u> | <u>Description</u> |
|---------------|---------------|---------------------------------|---------------|---------------|--------------------|
| 1 | A25981001 | Terminal board | 7 | 12121312 | Bushing |
| 2 | 03140307 | Screw | 8 | 03140317 | Screw |
| 3 | 12198021 | Timer and Switch | 9 | 02224206 | Spacer |
| 4 | 11050321 | Cube Size Control | 10 | 02224205 | Spacer |
| 5 | 11040721 | Bin Level Control | 11 | 03140317 | Screw |
| 6 | 12290721 | Water Valve (includes fittings) | 12 | 12121304 | Bushing |
| | 12241031 | Coil only for above valve | 13 | 03163802 | Screw |

COMPRESSOR



| <u>Item #</u> | <u>Part #</u> | <u>Description</u> |
|---------------|---------------|--|
| 1 | 18877621 | Compressor, Complete (Includes all parts listed below) |
| 2 | 18877651 | Relay |
| 3 | 18877652 | Overload |
| 4 | 18877654 | Cover |
| 5 | 02349001 | High-Side Filter-Drier |
| 6 | 18470028 | Grommet |
| 7 | 03140708 | Washer, 3/8" |
| 8 | 03160000 | Clip |