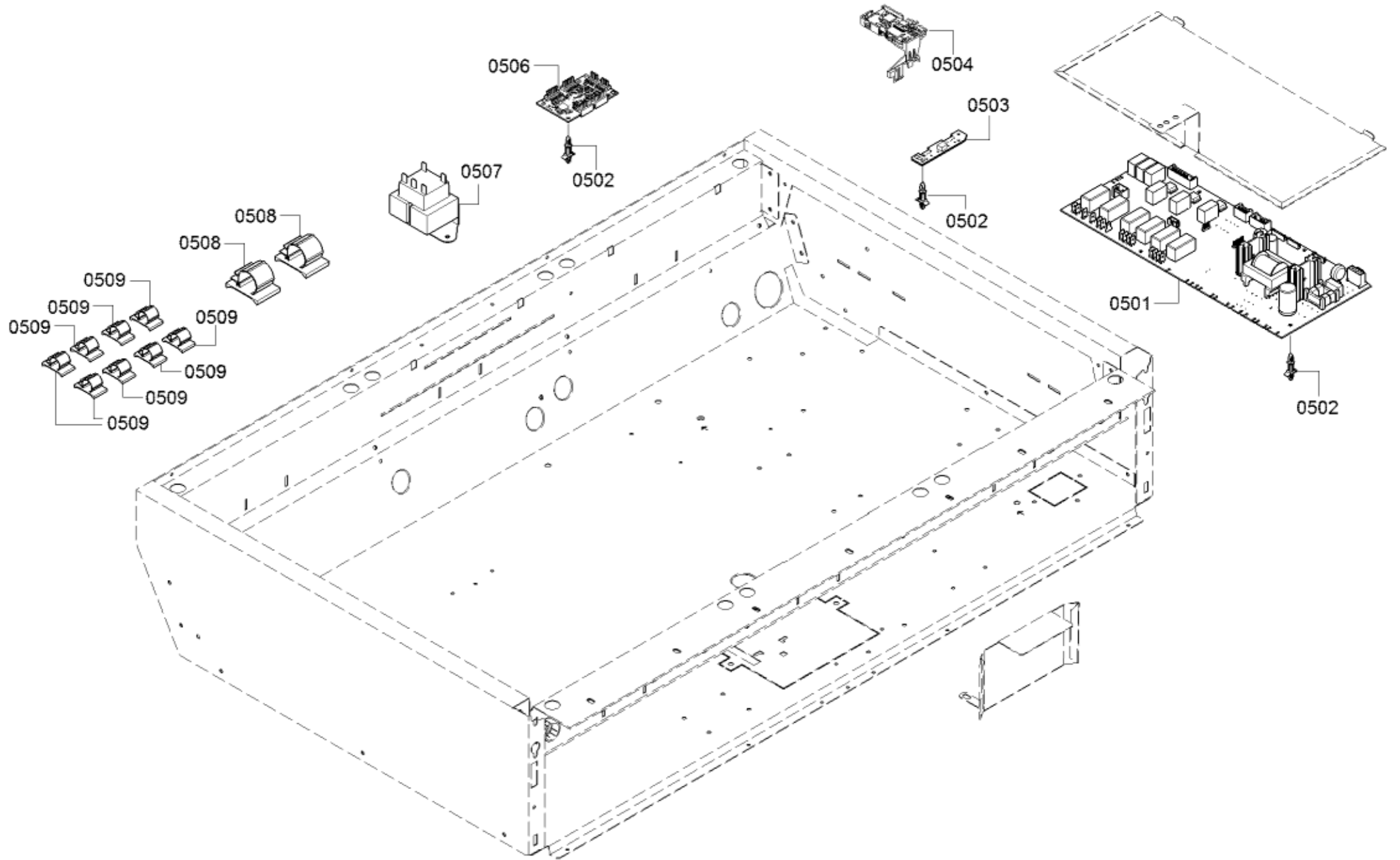
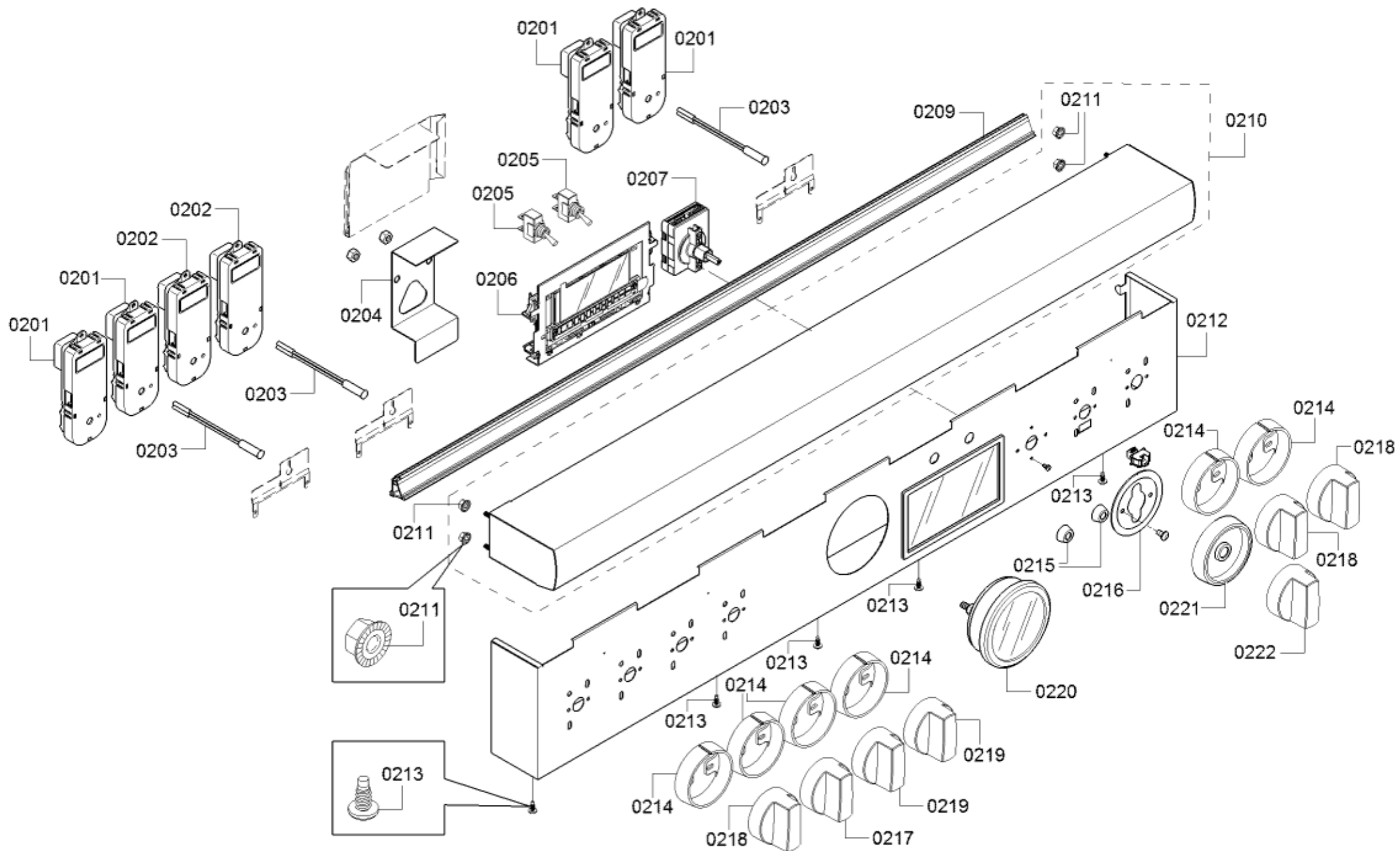


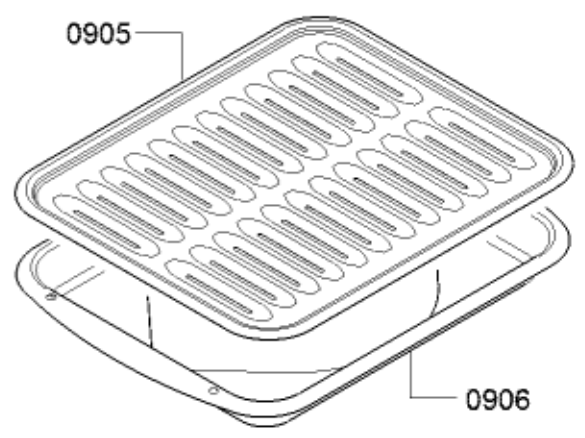
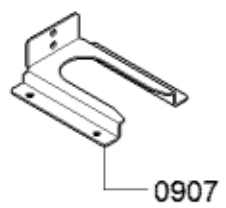
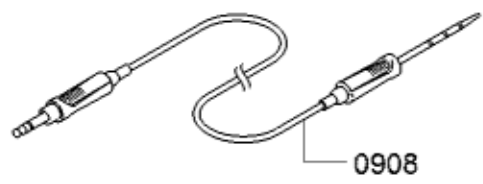
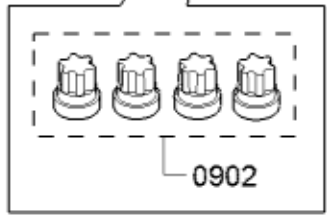
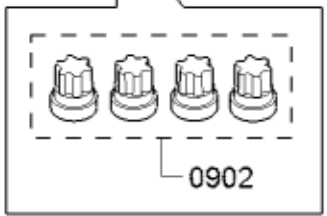
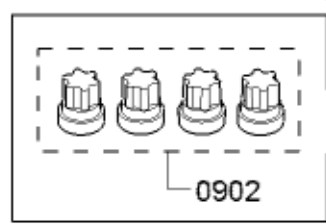
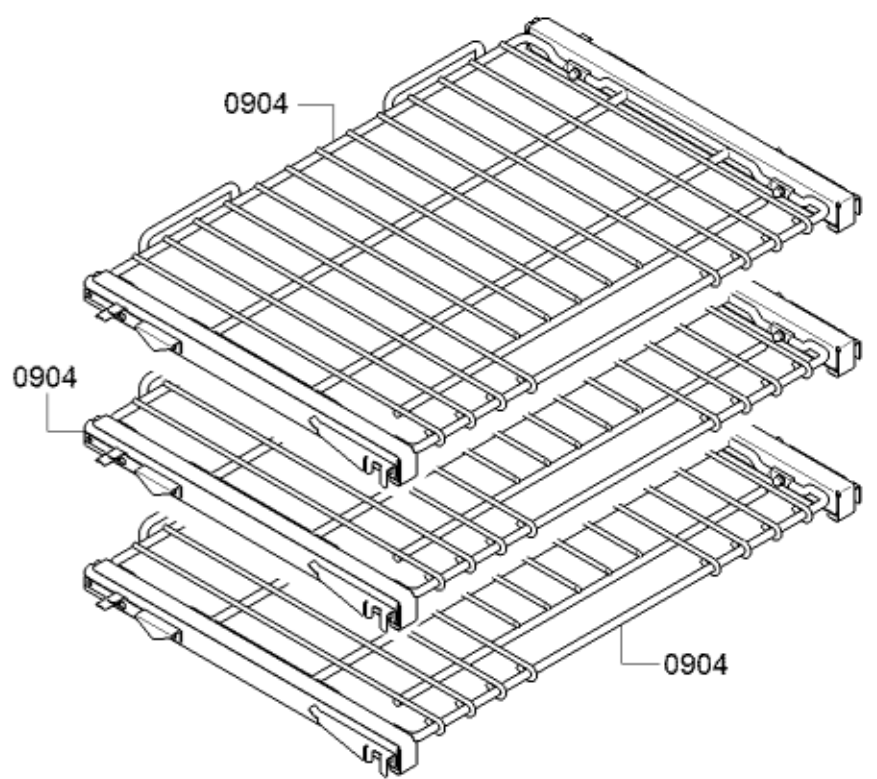
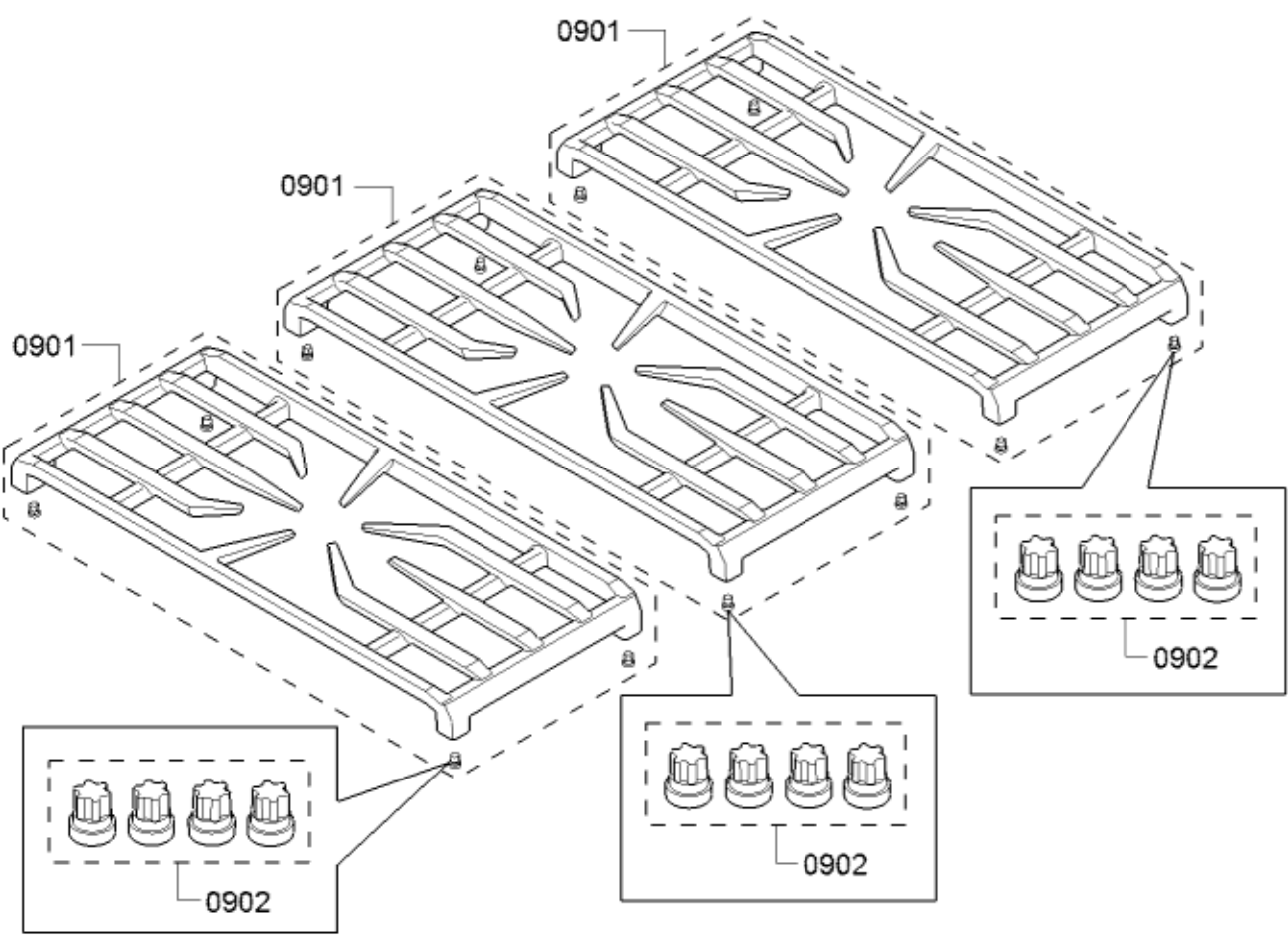
Position ID	Part number.	Replaces:	Description
0301	10004490		Burner cap
0302	10004489		Burner cap
0303	10004493		Burner
0304	10004492		Burner
0305	10004495		Venturi nozzle
0306	10006471		Electrode
0307	10008211		Screw
0308	10004498		Burner housing
0309	10004497		Burner housing
0310	10004531		Screw
0311	10006793		Jet
0312	10006797		Jet
0313	12007259		Ignition device
0314	00701902		Rail
0315	00687135		Tray
0316	12024444		Heat shield
0317	10006795		Jet
8003	12025444		Nozzle set liquid gas



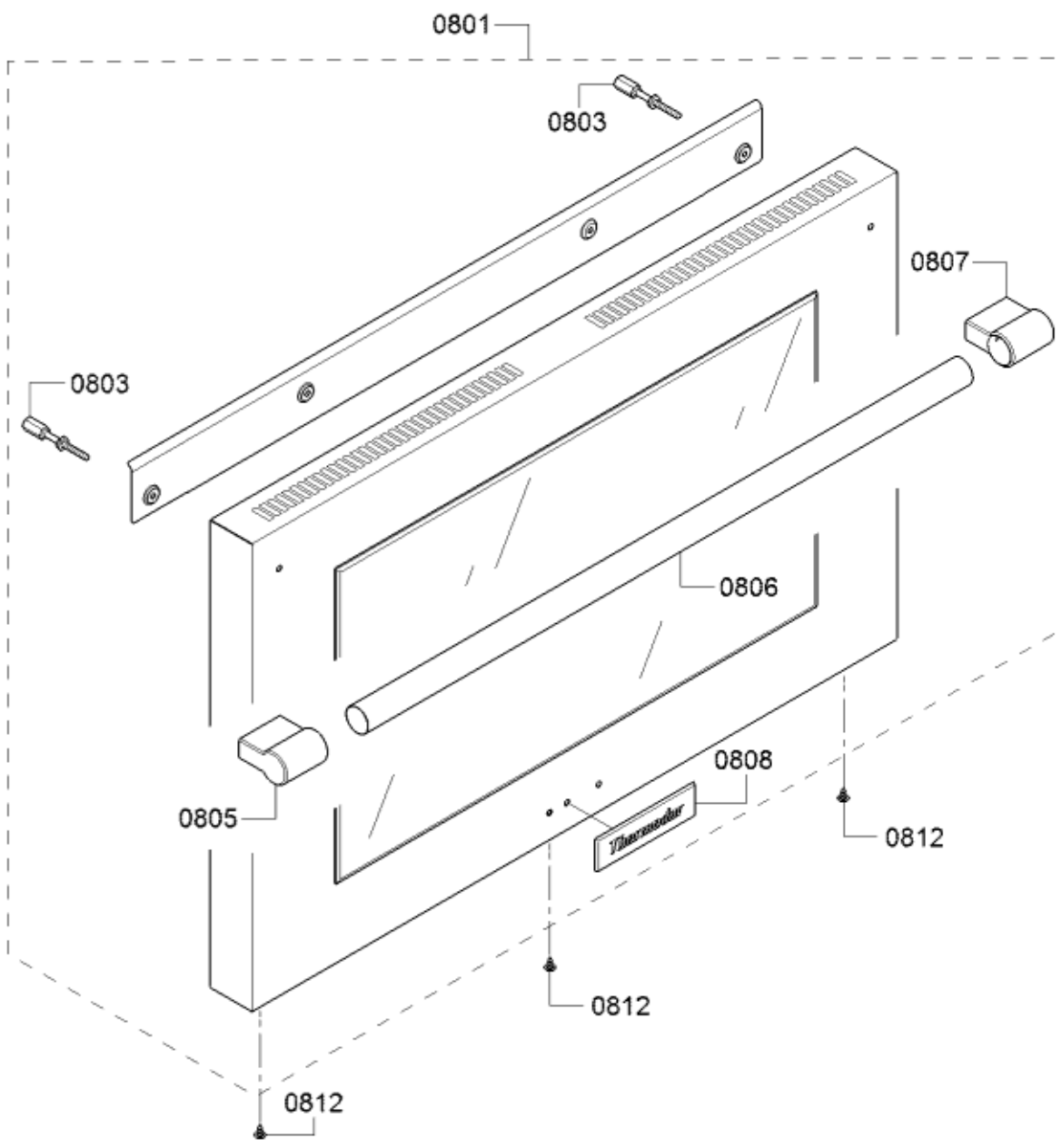
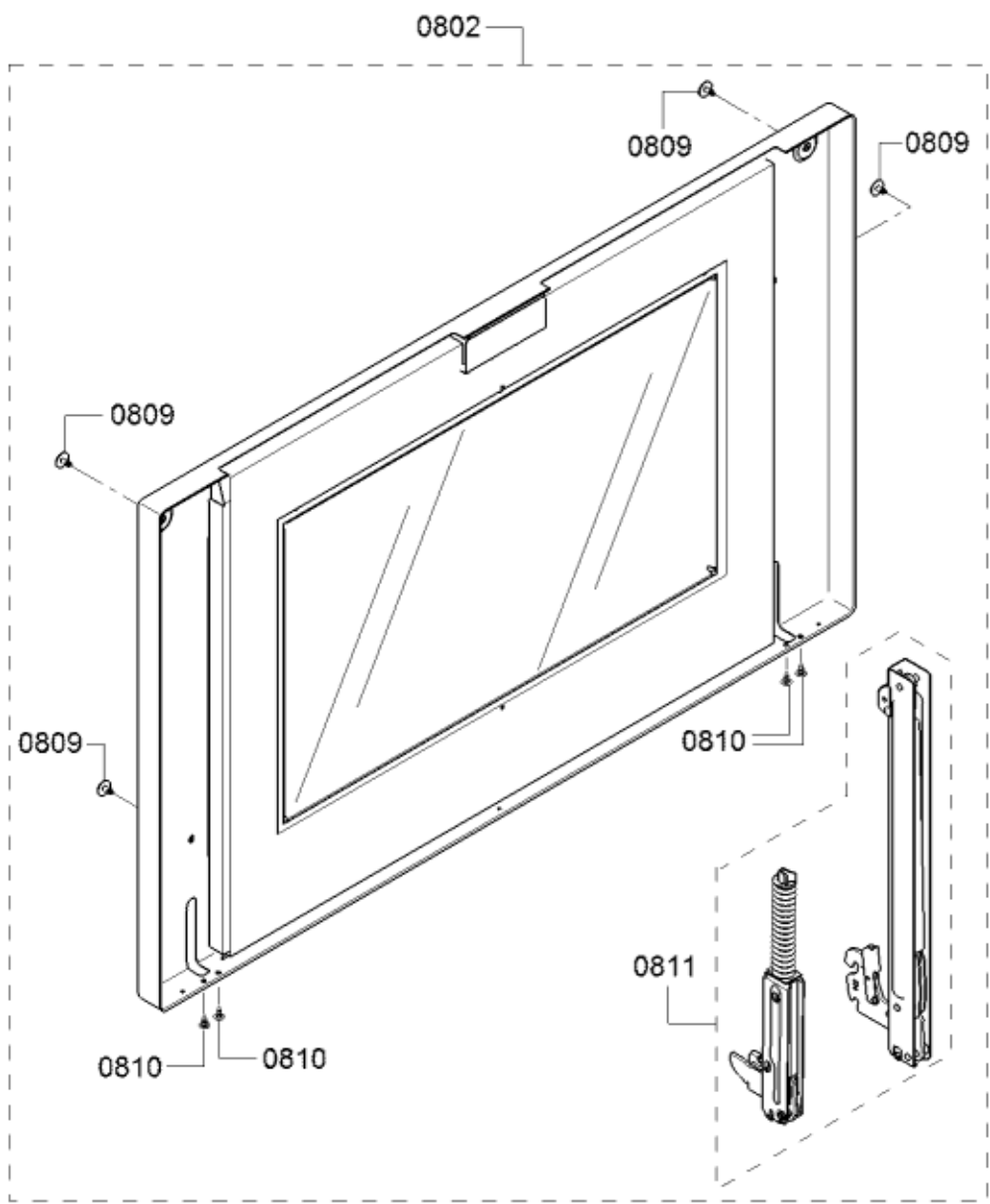
Position ID	Part number.	Replaces:	Description
0501	11032521		Control module programmed
0501	12025831		Control module not programmed
0502	00418283		Support
0503	12028138		Limiter-temperature
0506	10005470		Control module
0507	00489194		Transformer
0508	10008933		Clip
0509	10010202		Clip
0510	10008207		Ignition cable
0511	12024415		Ignition cable
0512	12026846		Cable harness
0513	11032863		Gas tap
0514	12024414		Cable harness
0515	12026845		Cable harness
0516	12028077		Cable harness set
0517	12026925		Cable harness
0520	11032800		Cable harness
0521	12028509		Cable harness
0522	12024436		Cable harness
0523	11032801		Cable harness
0523	12028082		Cable harness
0524	12028086		Adapter
8003	12025444		Nozzle set liquid gas
0504	12031987		Connectivity module



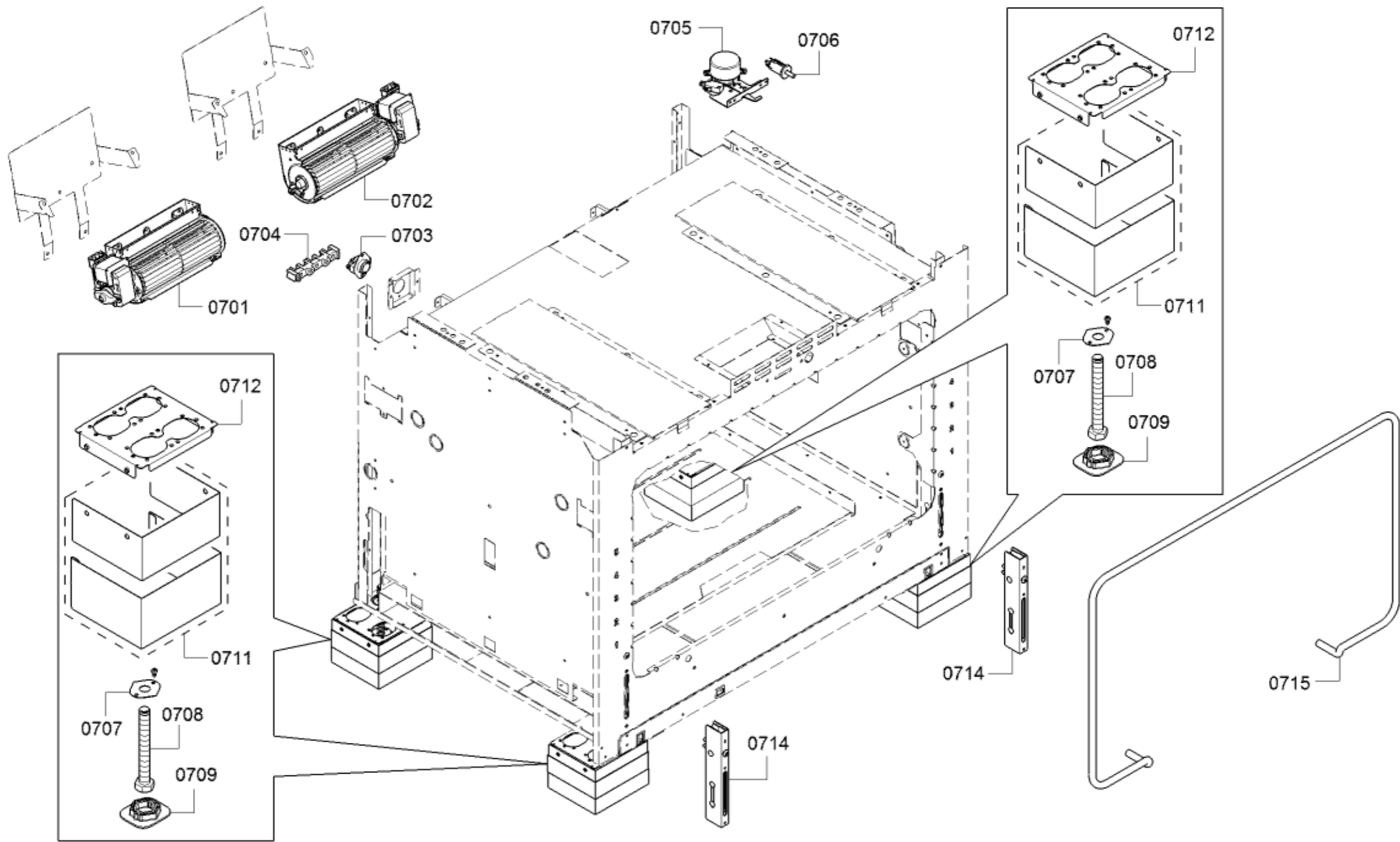
Position ID	Part number.	Replaces:	Description
0201	12024418		Module-relay
0202	12024417		Module-relay
0203	00617931		Display
0204	11032519		Bracket
0205	00609115		Switch
0206	11032495		Display module not programmed
0207	10010232		Encoder
0209	00687127		Light bar
0210	23000467		Support
0212	20000027		Panel-facia
0213	10008212		Screw
0214	10008201		Ring
0215	00418122		Ring
0216	10010231		Encoder
0217	10011598		Knob
0218	10008199		Knob
0219	10008200		Knob
0221	10010228		Ring
0222	10010230		Knob
8003	12025444		Nozzle set liquid gas
0206	12028841		Display module programmed
0211	00623615		Nut
0220	12034239		Display-temperature



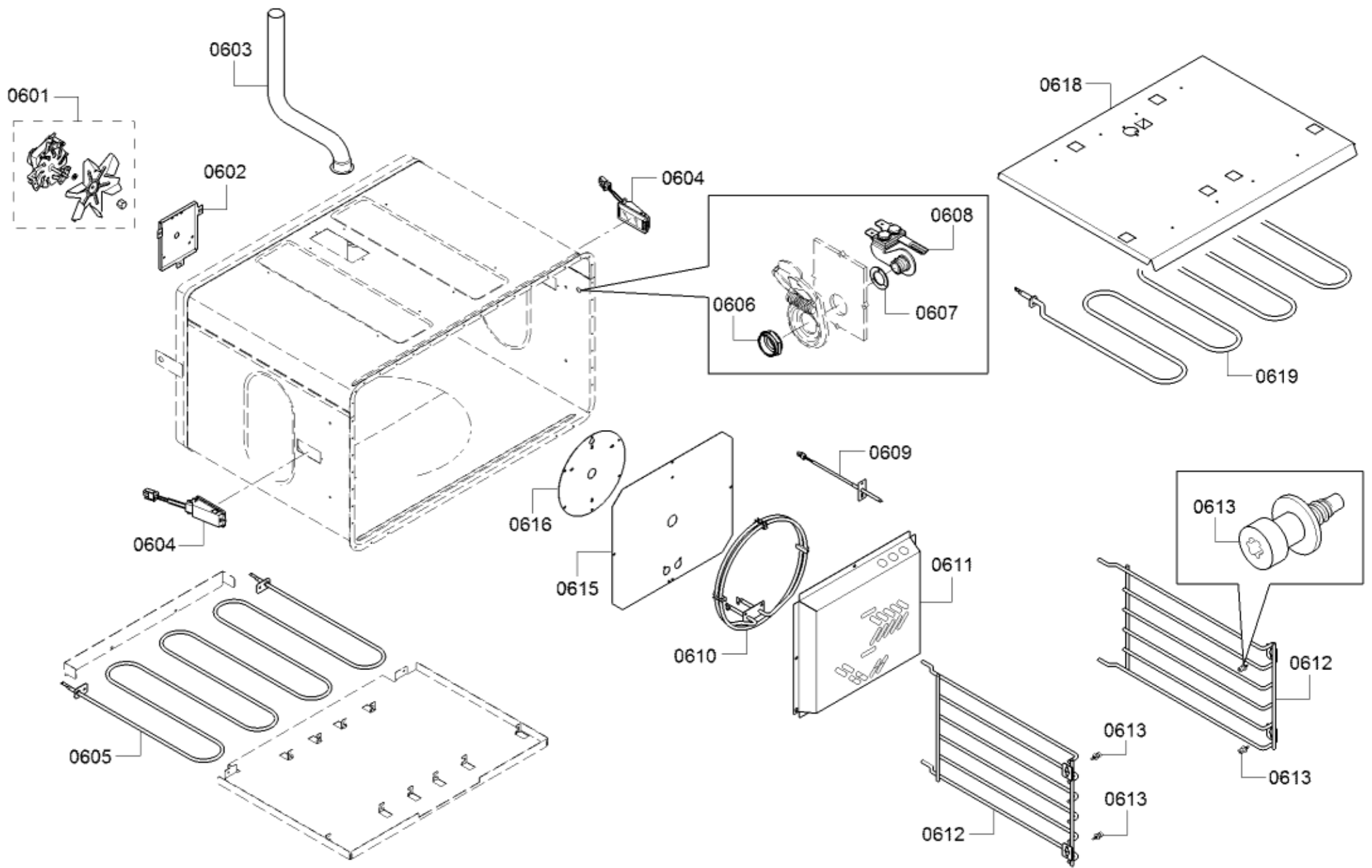
Position ID	Part number.	Replaces:	Description
0901	00145306		Grill grid
0902	00637940		Grate Foot Replacement Kit
0904	00774617		36" Telescopic Rack
0905	11013689		Grill tray
0906	00484628	00449757	Tray for Broiler Pan
0906	11032802		Handle-door
0907	10010207		Bracket
0908	12022200		Sensor
8003	12025444		Nozzle set liquid gas



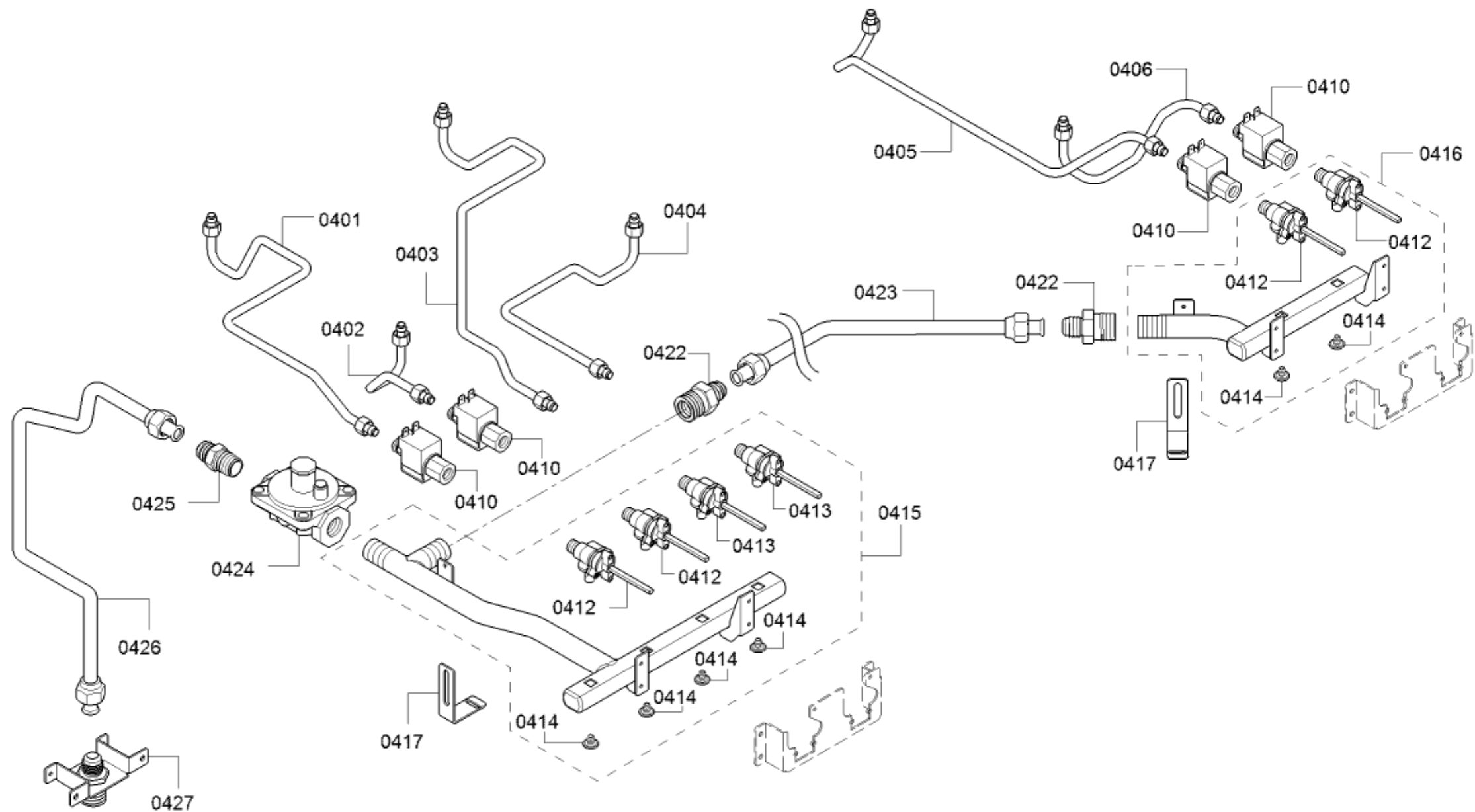
Position ID	Part number.	Replaces:	Description
0801	20000155		Door-outer
0802	20000156		Door-inner
0803	10010275		Screw
0805	10011397		Handle-cap shaped
0806	11032802		Handle-door
0807	10011397		Handle-cap shaped
0808	10010271		Plate
0809	10010274		Screw
0810	10008228		Screw
0811	11032545		Hinge
0812	00618862		Screw
8003	12025444		Nozzle set liquid gas



Position ID	Part number.	Replaces:	Description
0703	10011167		Limiter-temperature
0704	00628372		Terminal
0705	00651285		Latch
0706	00618400		Switch-door
0707	10001186		Plate
0708	12013593		Bolt
0709	10001351		Foot
0712	12028141		Cover
0714	00655554		Receiver
0715	20000145		Seal-door
0730	00648862		Cable harness
8003	12025444		Nozzle set liquid gas
0711	10014059		Cover
0702	10020212		Fan motor
0701	10020211		Fan motor



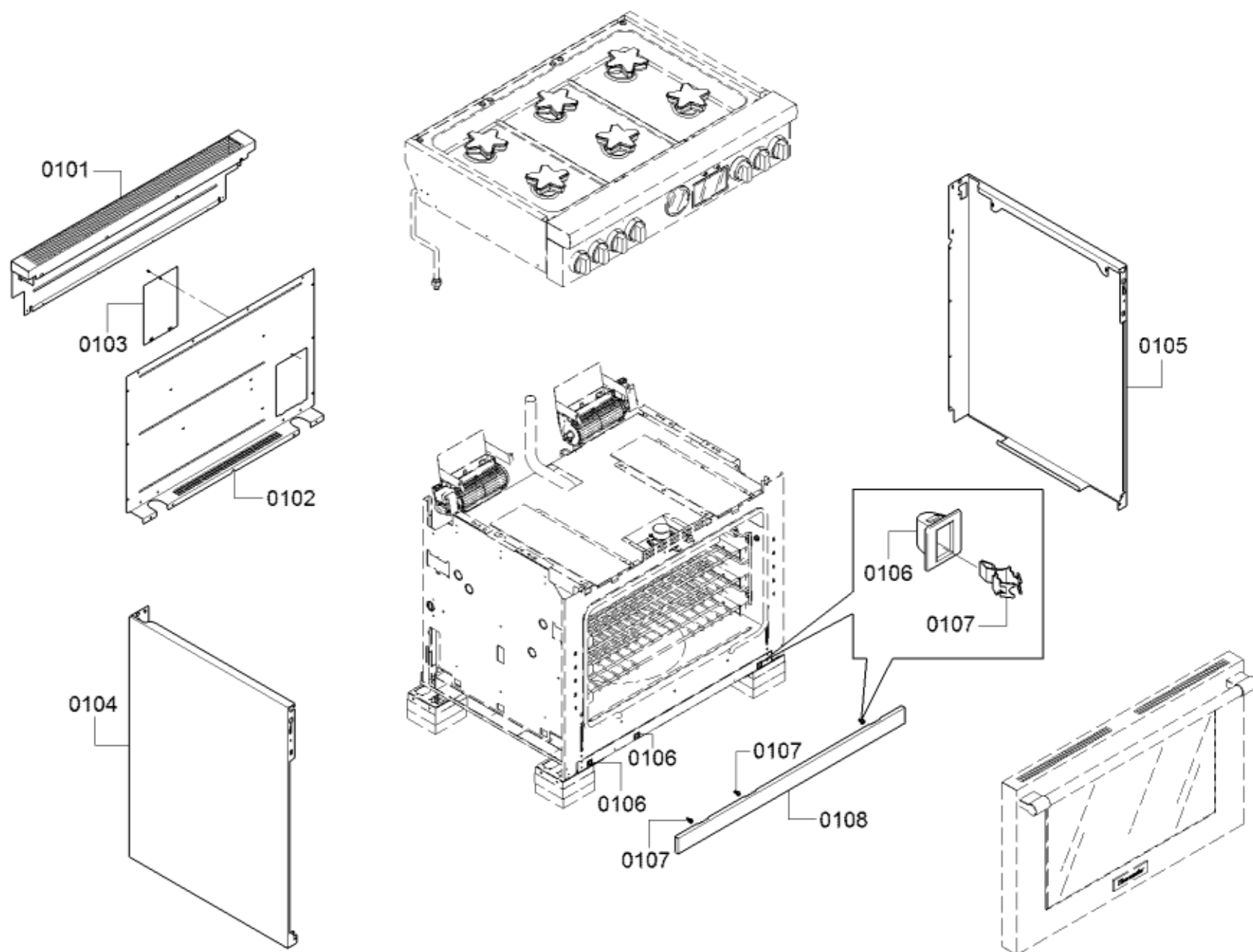
Position ID	Part number.	Replaces:	Description
0601	00497756		Motor
0602	00489178		Bracket
0603	00494383		Pipe connection piece
0604	10007424		Lamp
0605	00709468		Heating element
0606	10010225		Nut
0607	10010208		Washer
0608	10008183		Socket
0609	00627375		Temperature sensor
0610	00640401		Heating element
0611	20000143		Cover
0612	11032546		Support
0613	10011396		Bolt
0614	12028136		Adapter
0615	00706444		Cover
0616	00479238		Cover
0618	00687604		Plate
0619	00431908		Broil Element
8003	12025444		Nozzle set liquid gas



Position ID	Part number.	Replaces:	Description
0401	11032438		Gas tap
0402	11032439		Gas tap
0403	11032863		Gas tap
0404	11032862		Gas tap
0405	11032440		Gas tap
0406	11032441		Gas tap
0410	00423093		Valve
0412	10003806		Valve
0413	10009155		Valve
0414	00420807		Screw
0415	20000265		Manifold
0416	20000140		Manifold
0417	10009569		Bracket
0422	10010270		Pipe connection piece
0423	11032864		Gas tap
0424	00754658		Regulator-pressure
0425	10010200		Adapter
0426	11032865		Gas tap
0427	10011592		Extension for inlet
8003	12025444		Nozzle set liquid gas



0199



Position ID	Part number.	Replaces:	Description
0101	00146136		Back wall panel
0102	20000092		Door-inner
0103	00649417	00752161	Cover
0104	23000263		Panel side
0105	23000264		Panel side
0107	00619081		Connection piece
0108	20000278		Panel
8003	12025444		Nozzle set liquid gas
0106	10013545		Latch