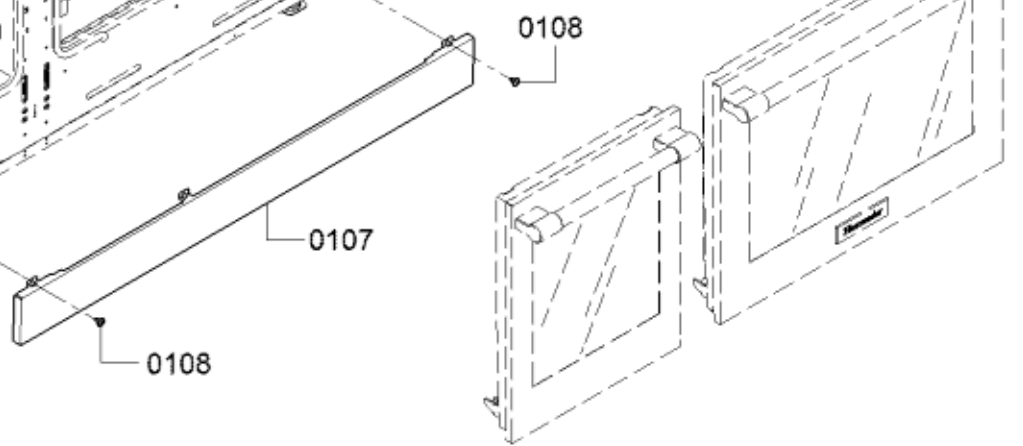
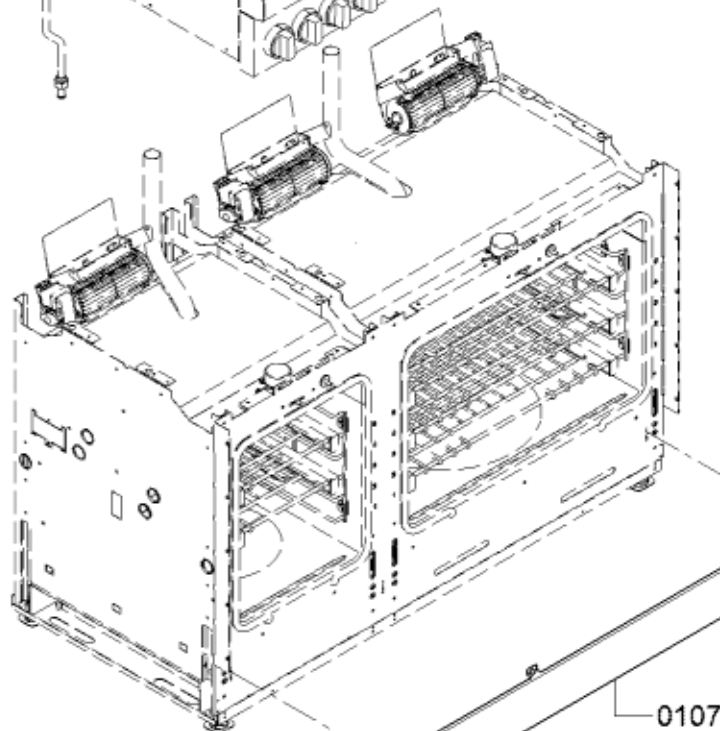
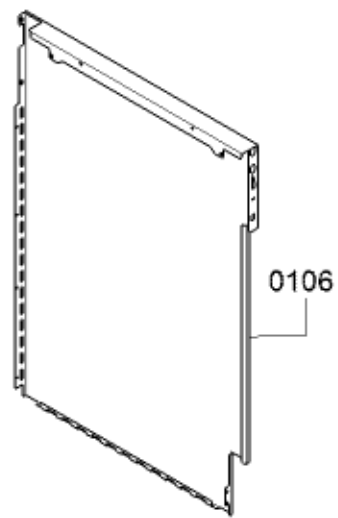
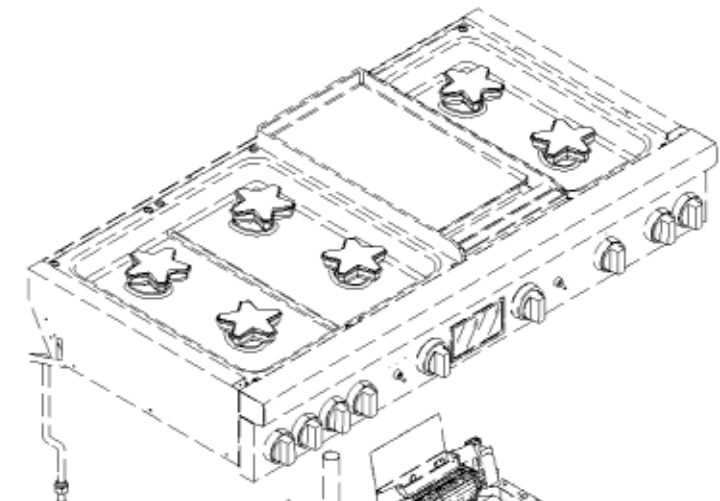
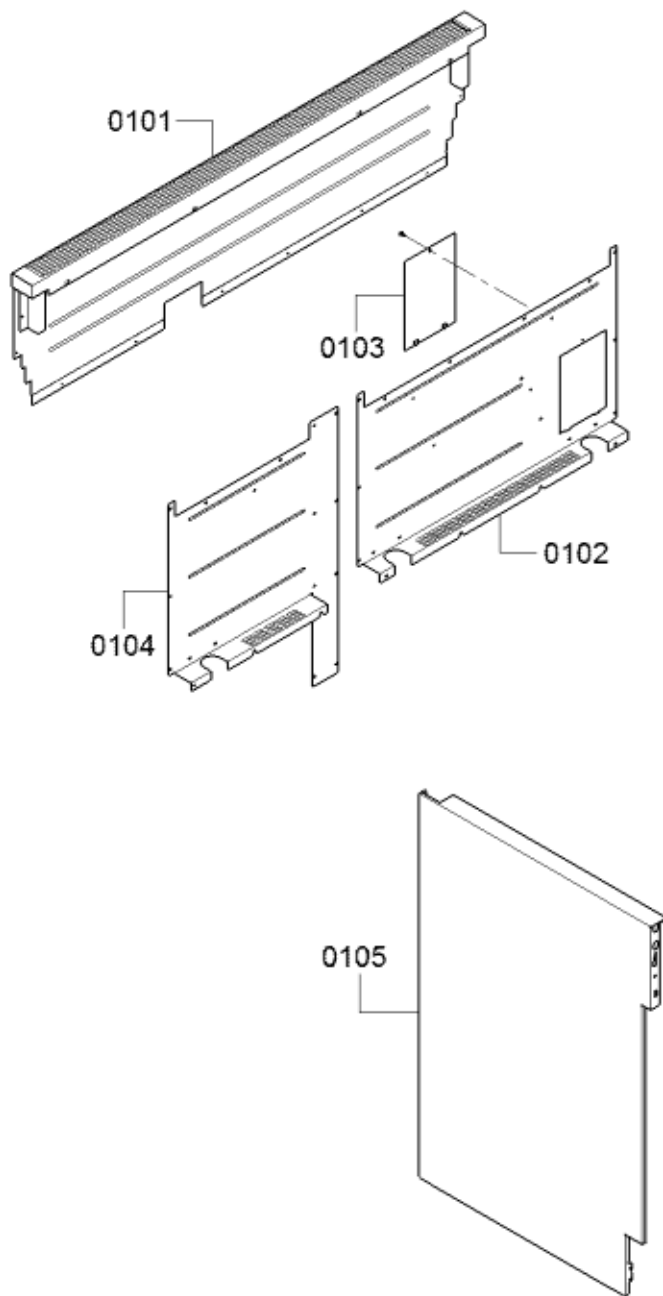
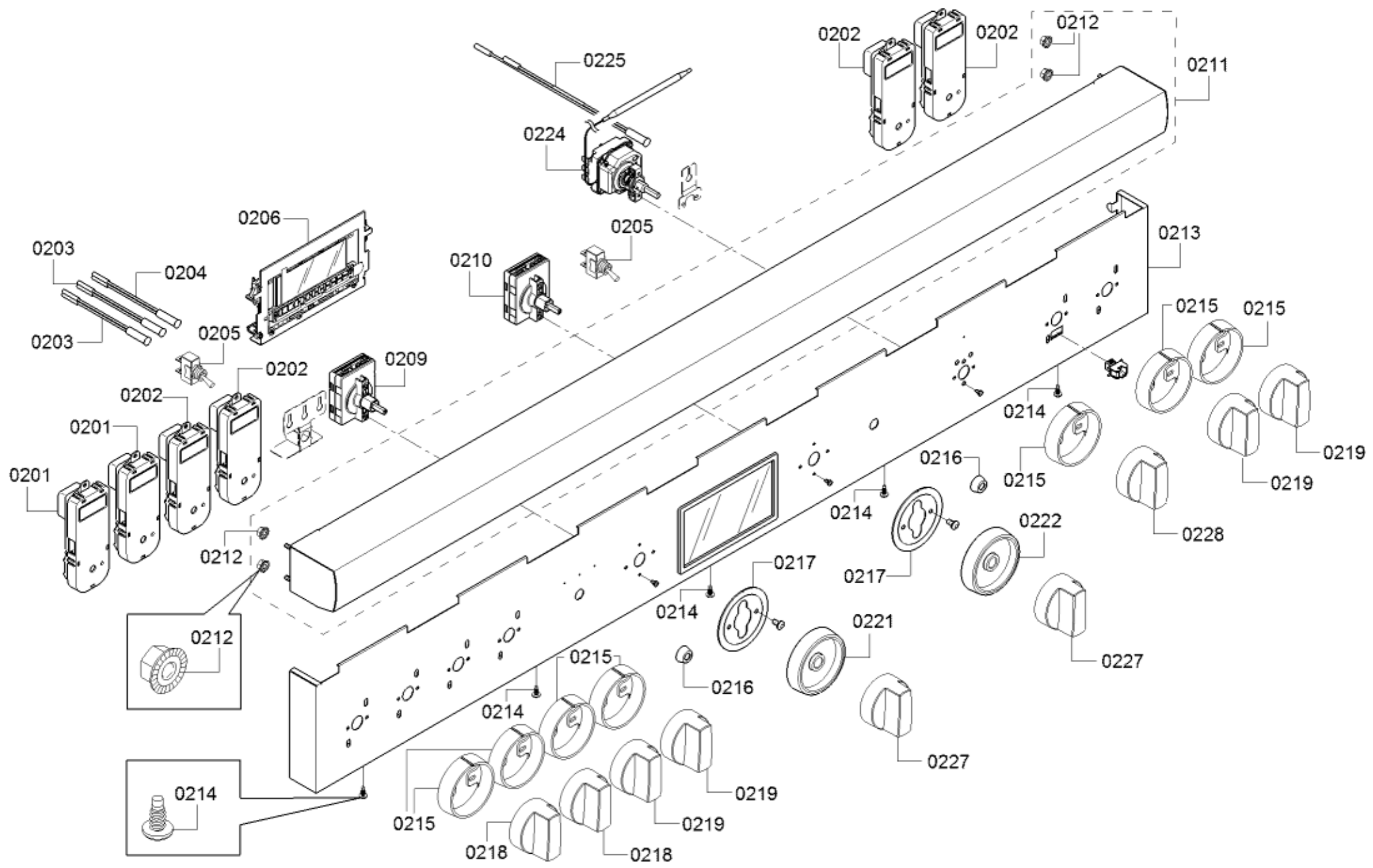




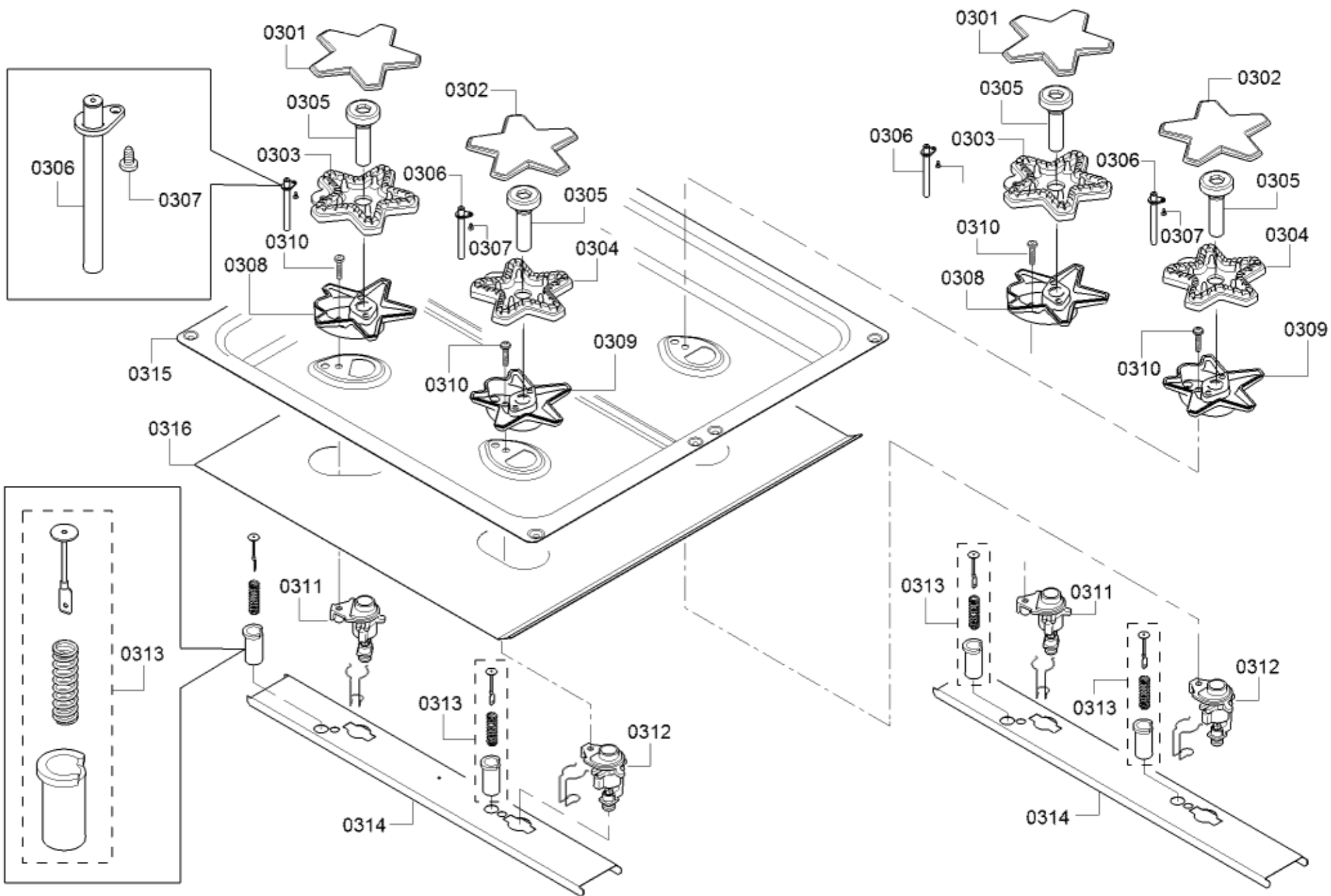
0199



Position ID	Part number.	Replaces:	Description
0102	11031592		Back panel
0104	20000372		Panel
0105	20000373		Panel side
0101	00146135		Back wall panel
0103	00649417	00752161	Cover
0106	00719250		Panel side
0107	00771304		Front panel
0108	00623741		Screw



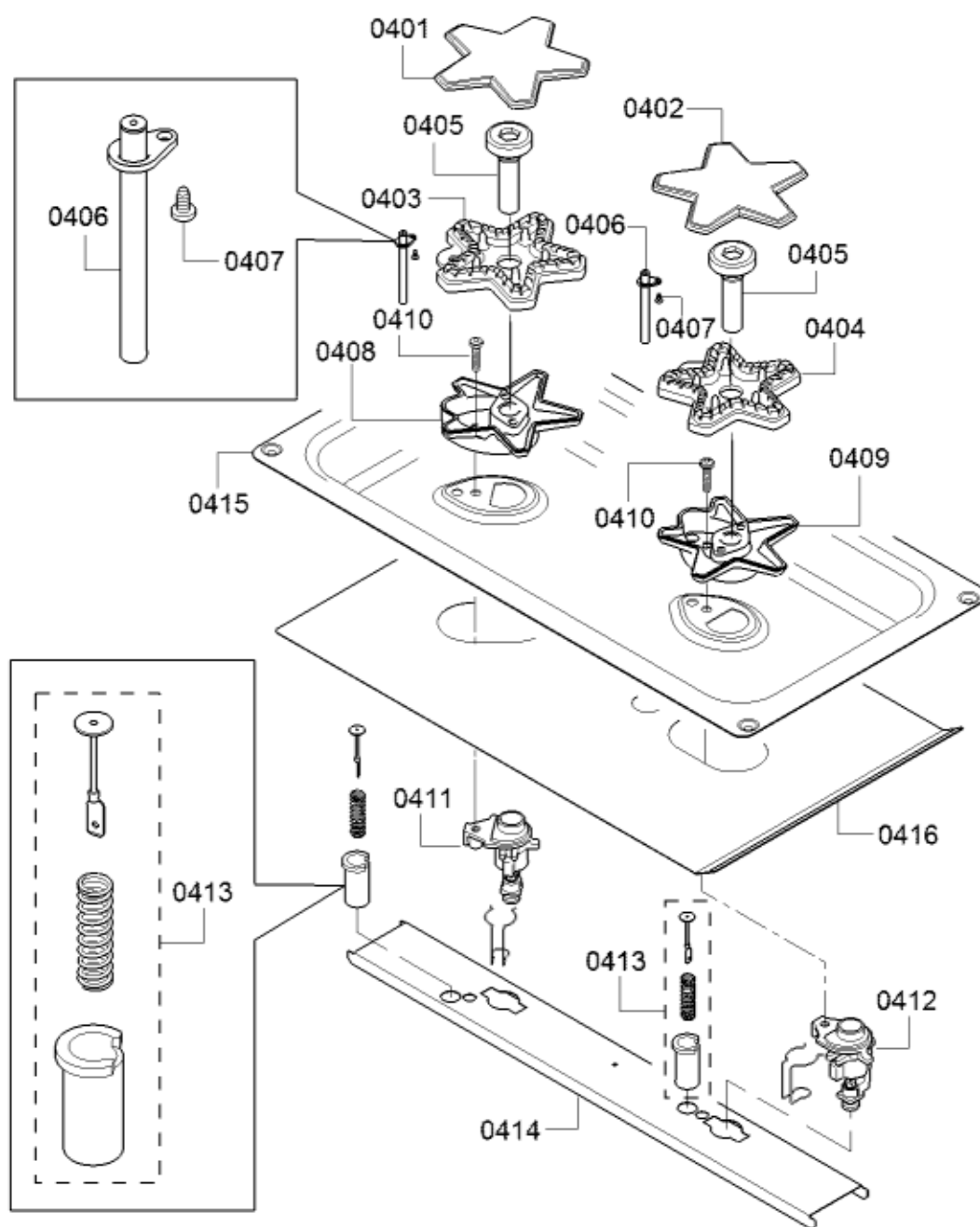
Position ID	Part number.	Replaces:	Description
0201	12024418		Module-relay
0202	12024417		Module-relay
0206	11032495		Display module not programmed
0206	12028878		Display module programmed
0209	10010233		Encoder
0210	10010232		Encoder
0211	23000460		Support
0213	20000020		Panel-facia
0214	10008212		Screw
0215	10008201		Ring
0217	10010231		Encoder
0218	10008199		Knob
0219	10008200		Knob
0221	10010229		Ring
0222	10010228		Ring
0224	10000773		Regulator-temperature
0227	10010230		Knob
0228	10009568		Knob
0203	00617931		Display
0204	00618025		Display
0205	00609115		Switch
0212	00623615		Nut
0216	00418122		Ring
0225	00617886		Display



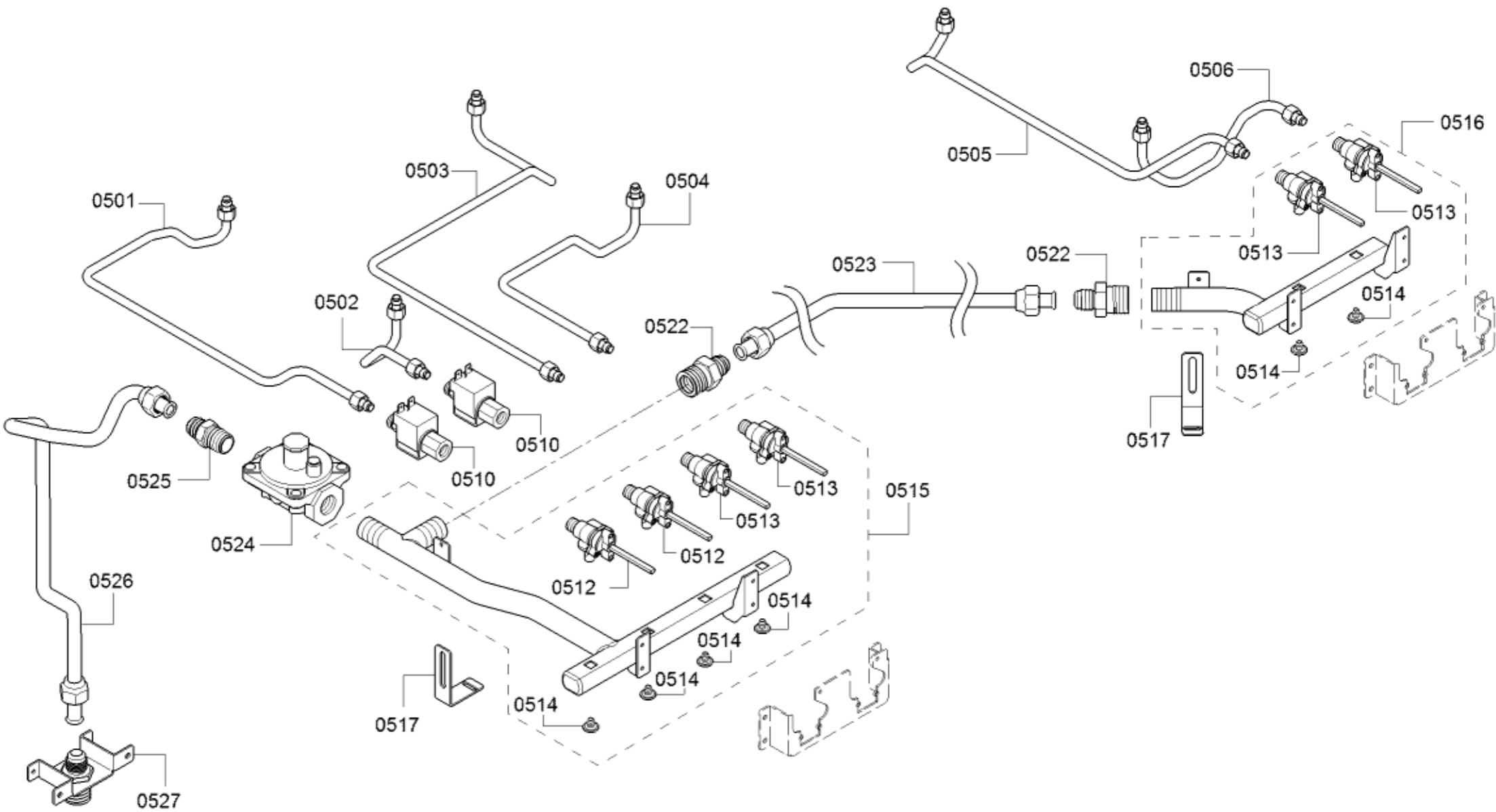
Position ID	Part number.	Replaces:	Description
0301	10004490		Burner cap
0302	10004489		Burner cap
0303	10004493		Burner
0304	10004492		Burner
0305	10004495		Venturi nozzle
0306	10006471		Electrode
0307	10008211		Screw
0308	10004498		Burner housing
0309	10004497		Burner housing
0310	10004531		Screw
0311	10006793		Jet
0312	10006797		Jet
0313	12007259		Ignition device
0316	12024446		Heat shield
0314	00701902		Rail
0315	00687075		Tray



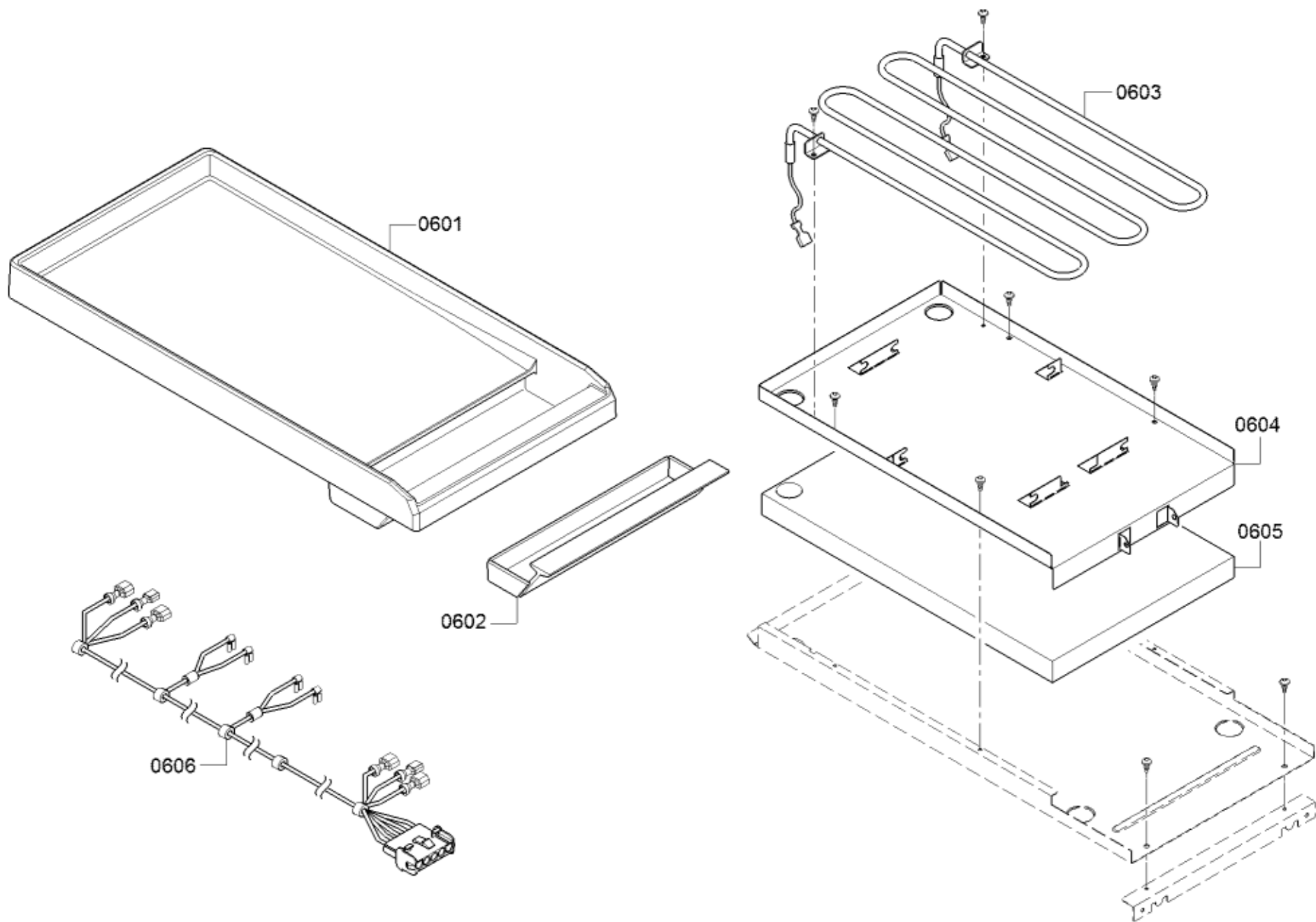
0496



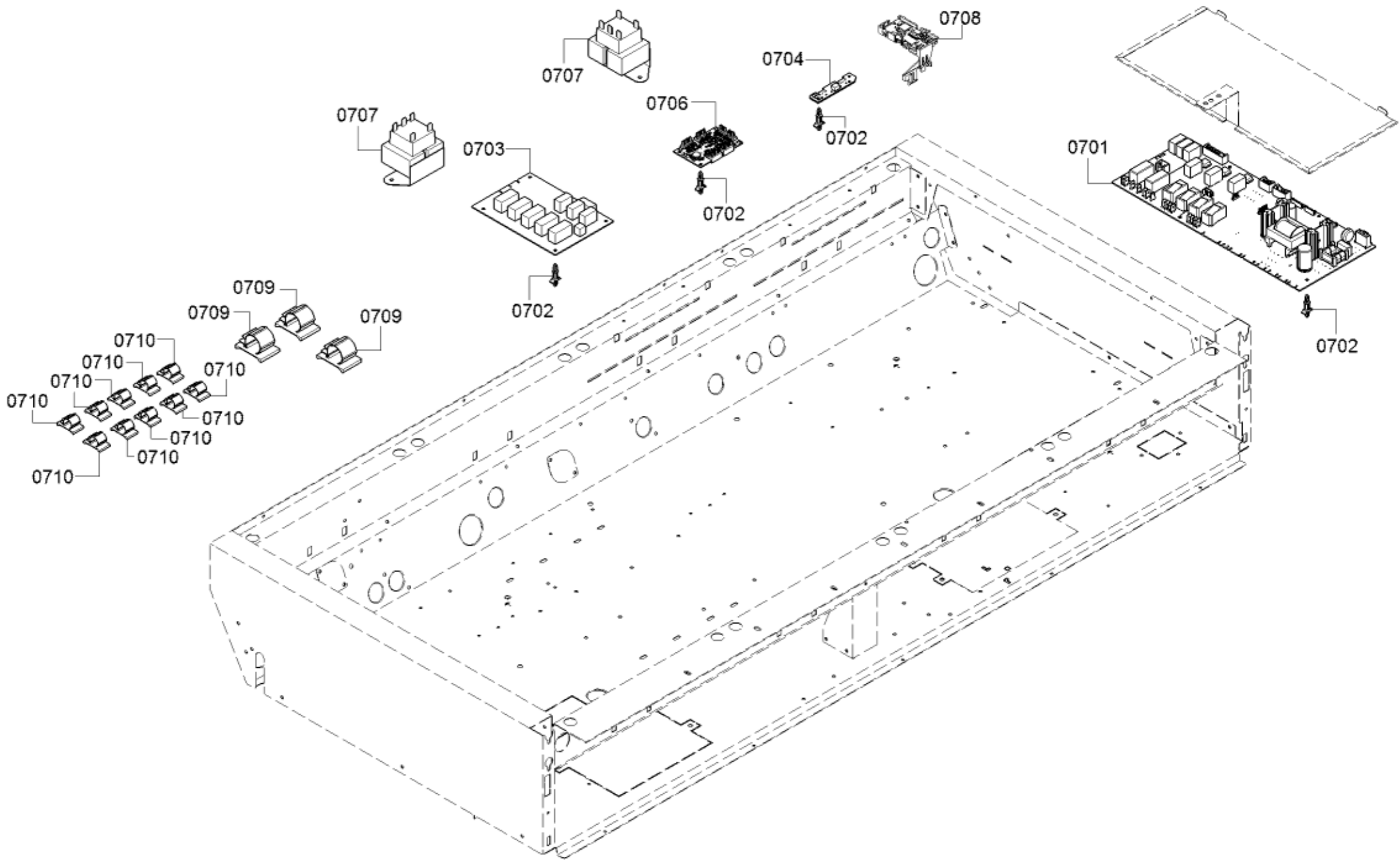
Position ID	Part number.	Replaces:	Description
0401	10004490		Burner cap
0402	10004489		Burner cap
0403	10004492		Burner
0404	10004493		Burner
0405	10004495		Venturi nozzle
0406	10006471		Electrode
0407	10004531		Screw
0408	10004498		Burner housing
0409	10004497		Burner housing
0410	10004531		Screw
0411	10006793		Jet
0412	10006797		Jet
0413	12007259		Ignition device
0415	11013687		Hob top
0416	10008221		Heat shield
0414	00701902		Rail



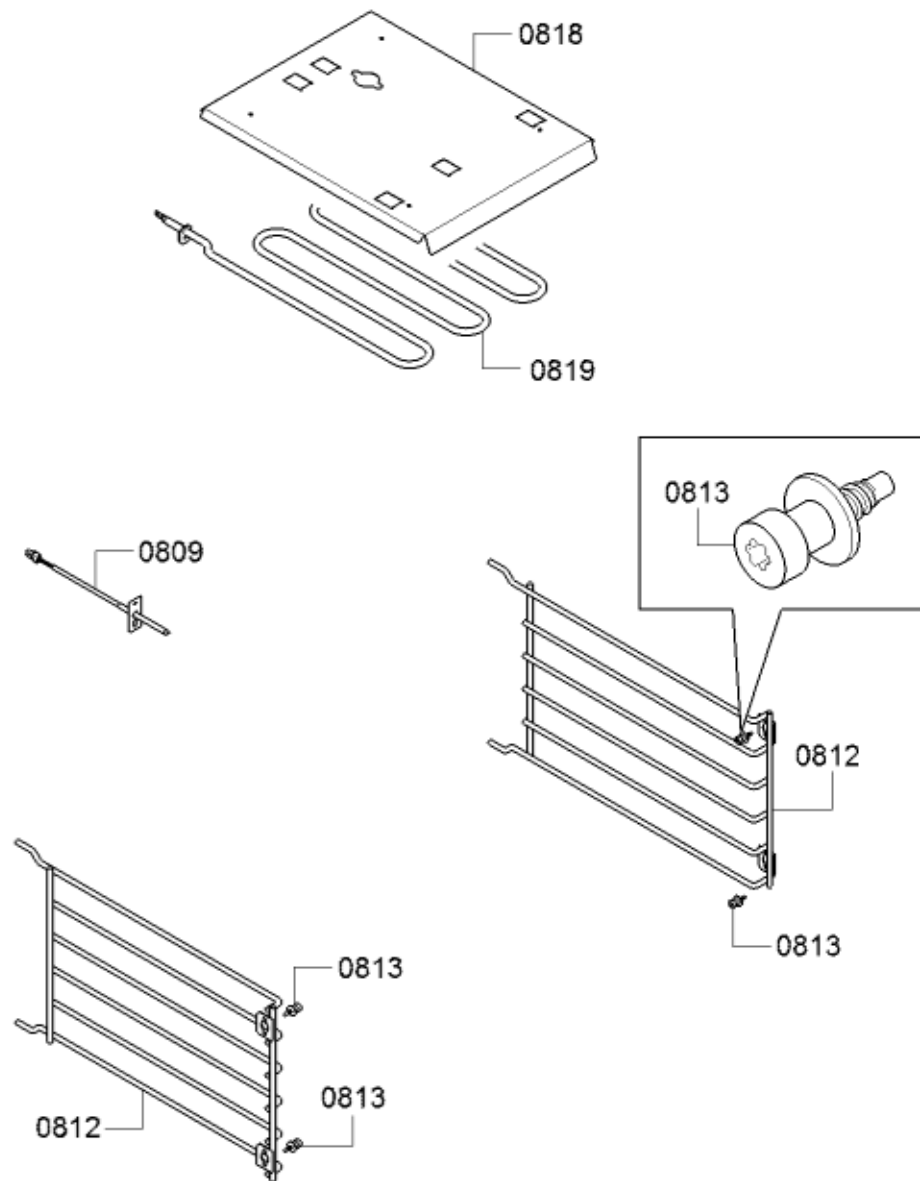
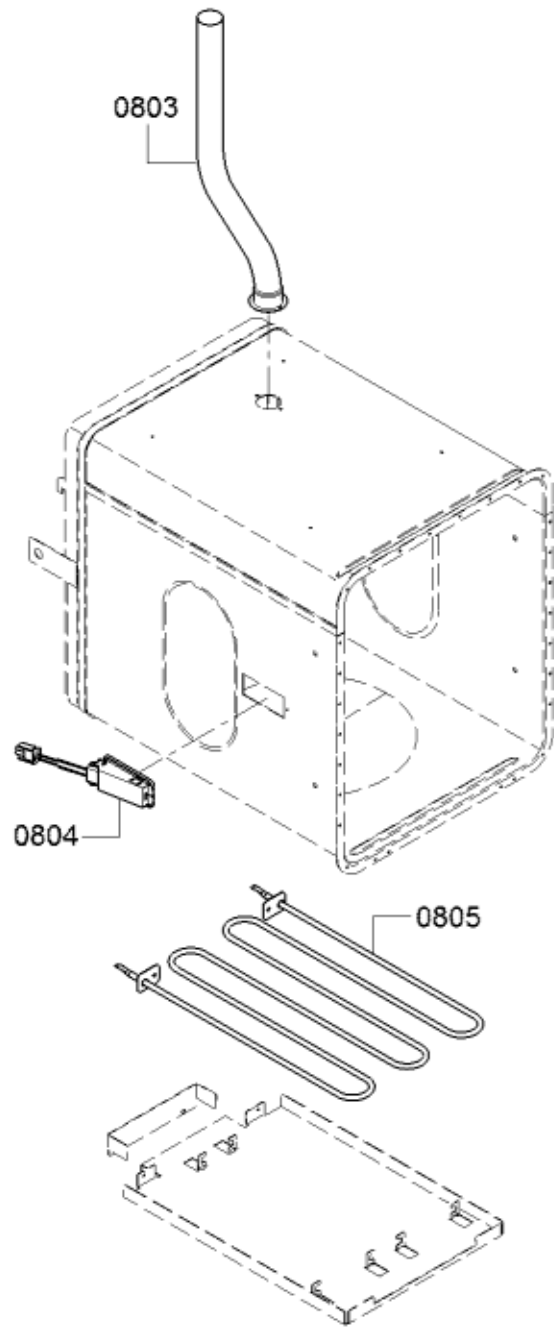
Position ID	Part number.	Replaces:	Description
0501	11030914		Gas tap
0502	11030913		Gas tap
0503	11032796		Gas tap
0504	11030916		Gas tap
0505	11030916		Gas tap
0506	11030915		Gas tap
0512	10003806		Valve
0513	10009155		Valve
0515	20000265		Manifold
0517	10009569		Bracket
0522	10010270		Pipe connection piece
0523	11030963		Gas tap
0525	10010200		Adapter
0526	11030960		Gas tap
0527	10010197		Bracket
0510	00423093		Valve
0514	00420807		Screw
0516	00779008		Manifold
0524	00754658		Regulator-pressure



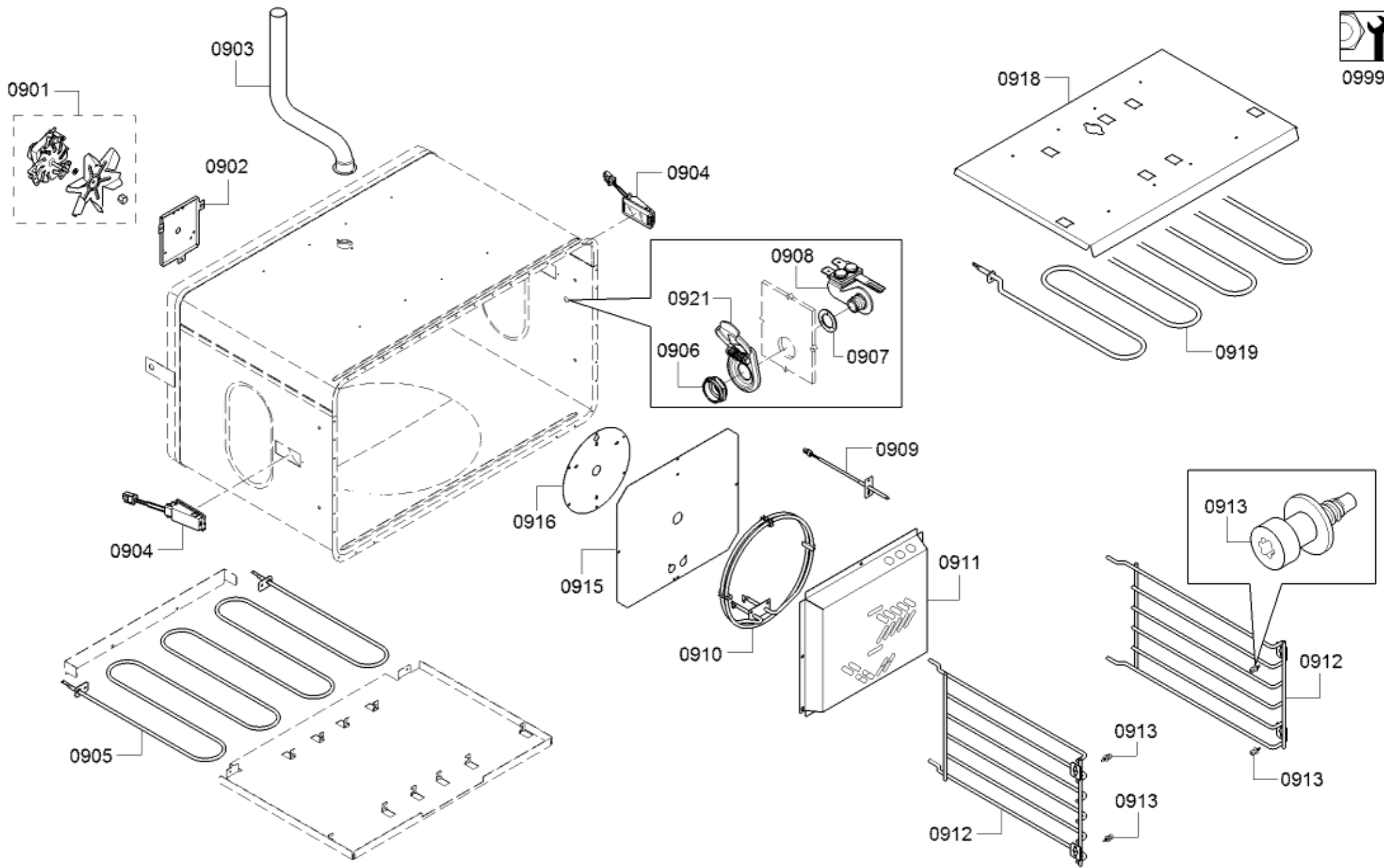
Position ID	Part number.	Replaces:	Description
0602	12024437		Tray
0603	12028074		Heating element
0604	12024439		Retaining plate
0605	12024438		Insulating part
0606	12028085		Cable harness
0601	00778241		Griddle



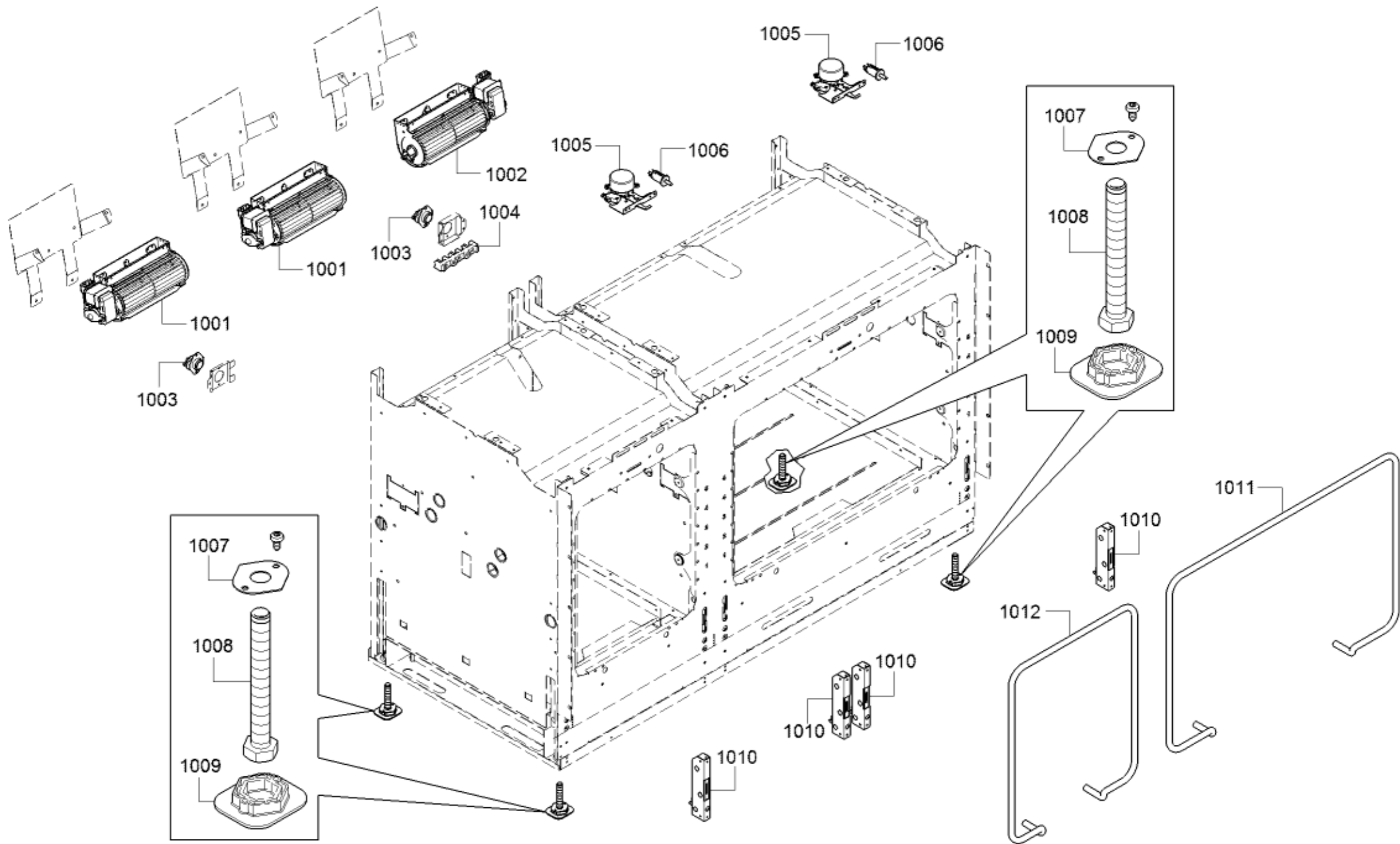
Position ID	Part number.	Replaces:	Description
0701	11032521		Control module programmed
0701	12025831		Control module not programmed
0703	12024477	12034882	Control module
0704	12028138		Limiter-temperature
0706	10005470		Control module
0709	10008933		Clip
0710	10008207		Ignition cable
0710	10010202		Clip
0711	12024415		Ignition cable
0712	12026846		Cable harness
0713	10011396		Bolt
0714	12024414		Cable harness
0715	12026845		Cable harness
0716	12028077		Cable harness set
0717	12026925		Cable harness
0718	12026869		Cable harness
0719	12026872		Cable harness
0720	12026870		Cable harness
0721	12024436		Cable harness
0722	10010201		Adapter
0723	12026868		Cable harness
0724	12026846		Cable harness
0725	12026871		Cable harness
0708	12031987		Connectivity module
0702	00418283		Support
0707	00489194		Transformer



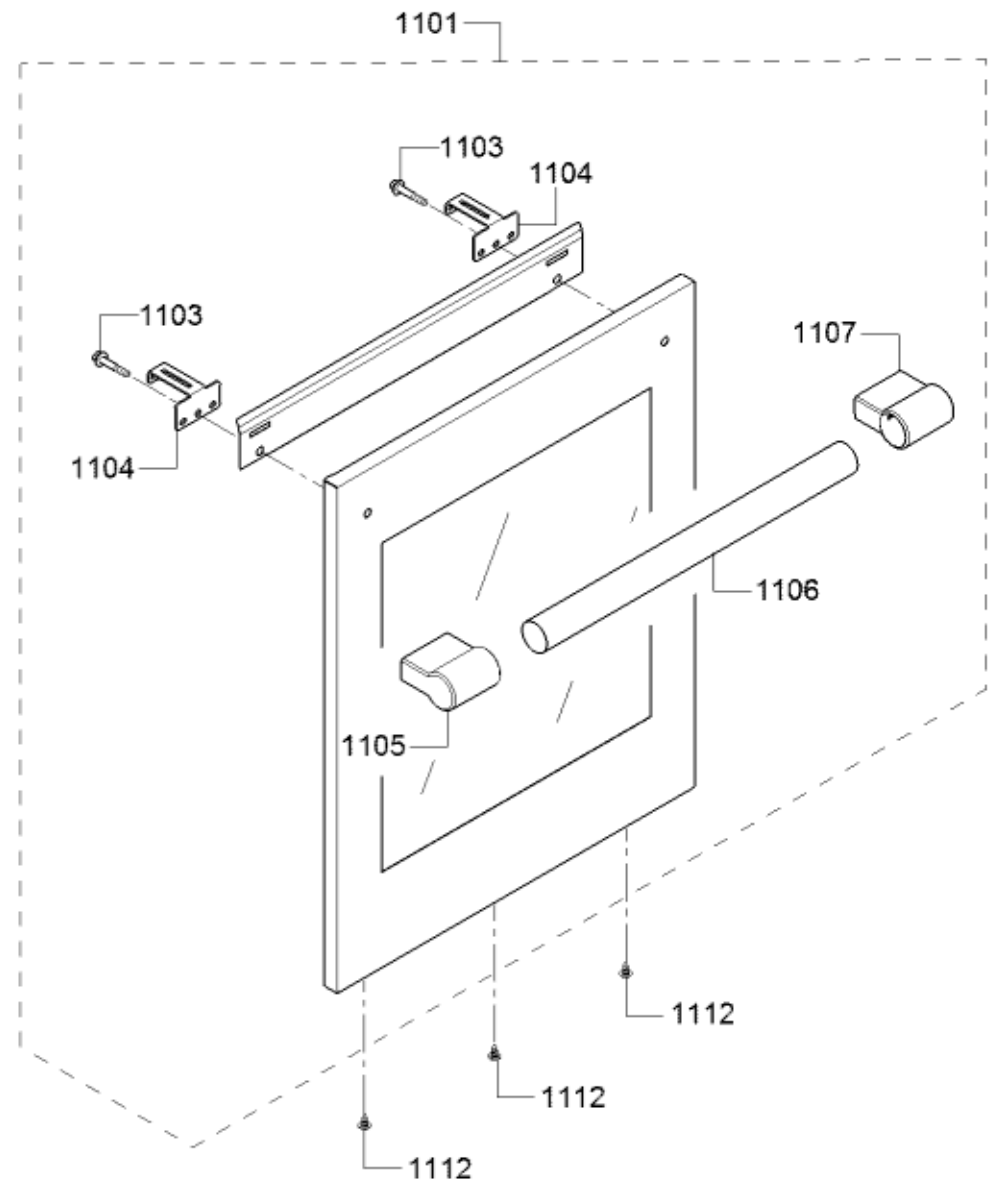
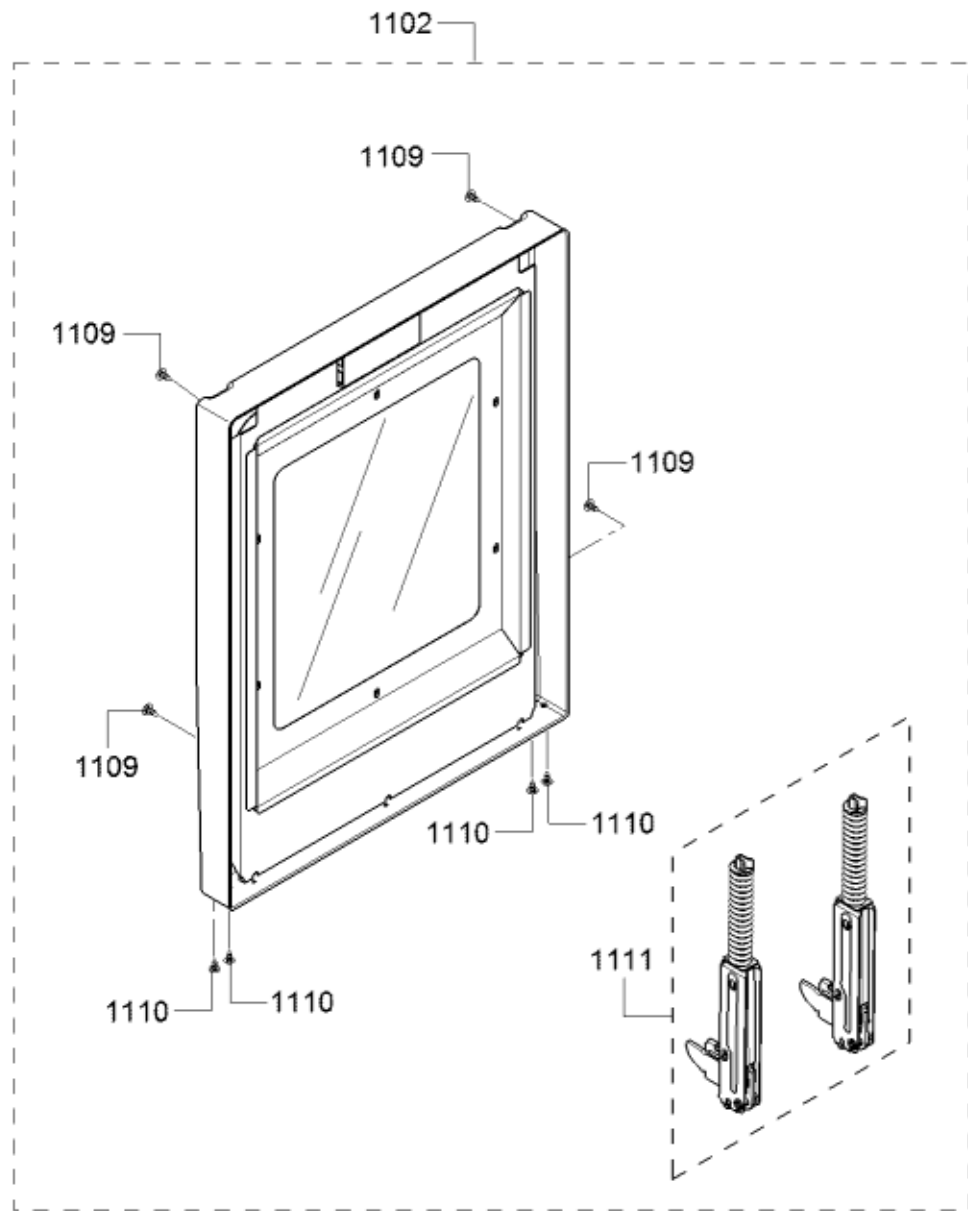
Position ID	Part number.	Replaces:	Description
0803	12004406		Burner pipe
0804	10007424		Lamp
0811	11030909		Cover
0812	11030962		Guide
0801	00497756		Motor
0805	00709468		Heating element
0809	00627375		Temperature sensor
0818	00741560		Reflector
0819	00741559		Heating element



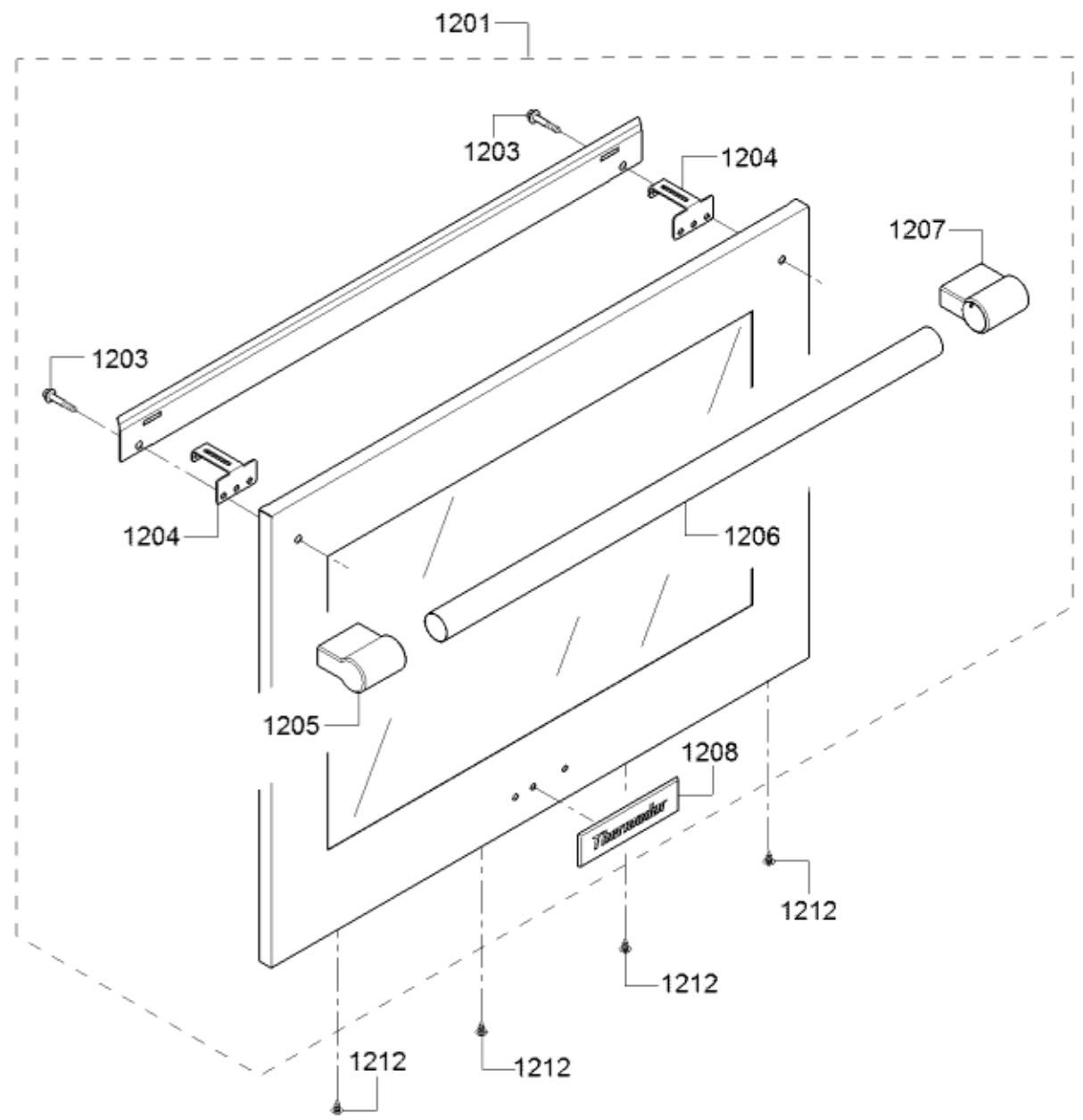
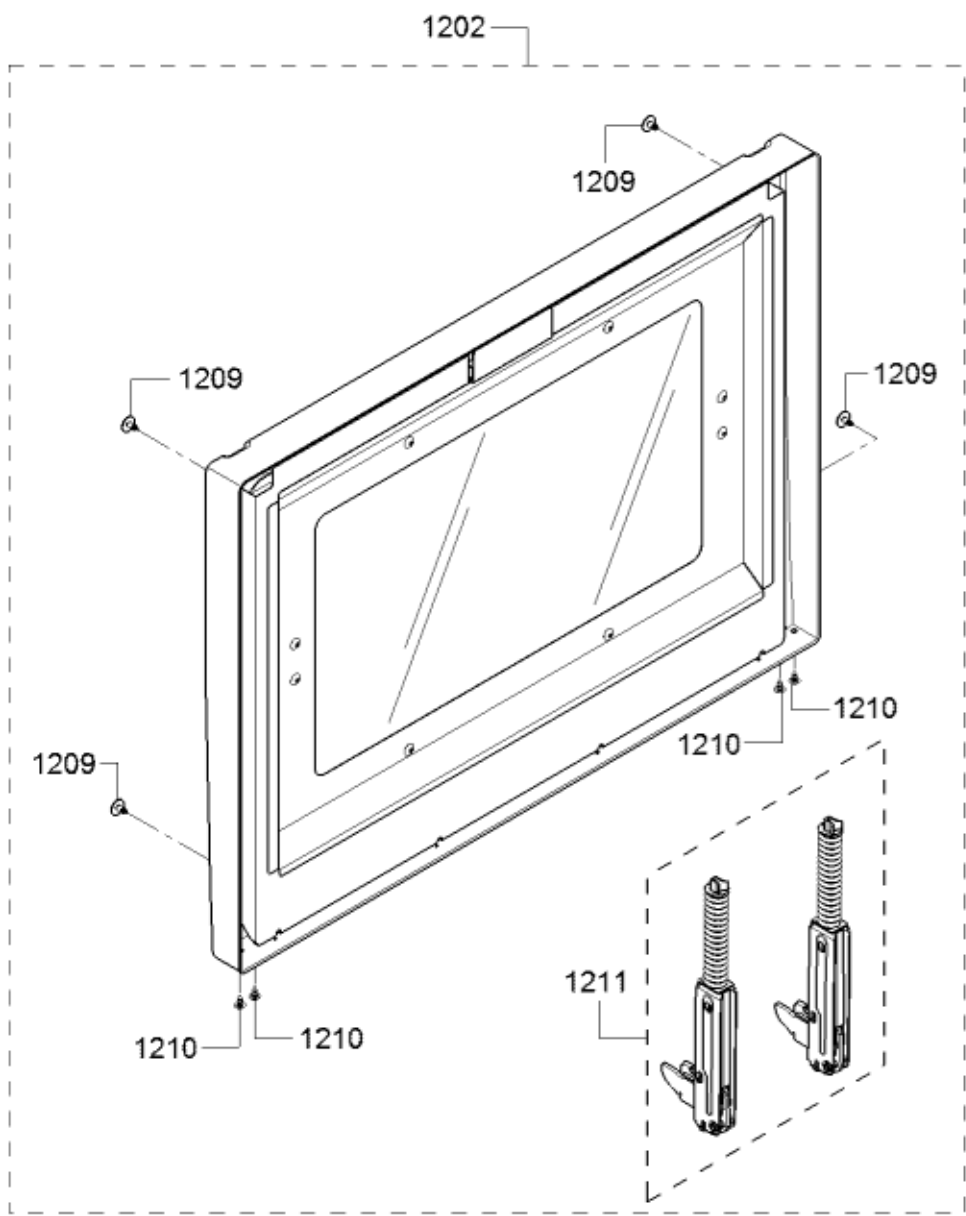
Position ID	Part number.	Replaces:	Description
0903	12004406		Burner pipe
0904	10007424		Lamp
0906	10010225		Nut
0907	10001186		Plate
0908	10008183		Socket
0908	10011170		Bolt
0911	12026847		Seal-door
0913	10011396		Bolt
0920	12028136		Adapter
0901	00497756		Motor
0902	00447402		Cover
0905	00709469		Heating element
0909	00627375		Temperature sensor
0910	00640401		Heating element
0912	00146140		Support
0915	00706444		Cover
0916	00479238		Cover
0918	00688243		Reflector
0919	00497632		Heating element
0921	10020313		Cover



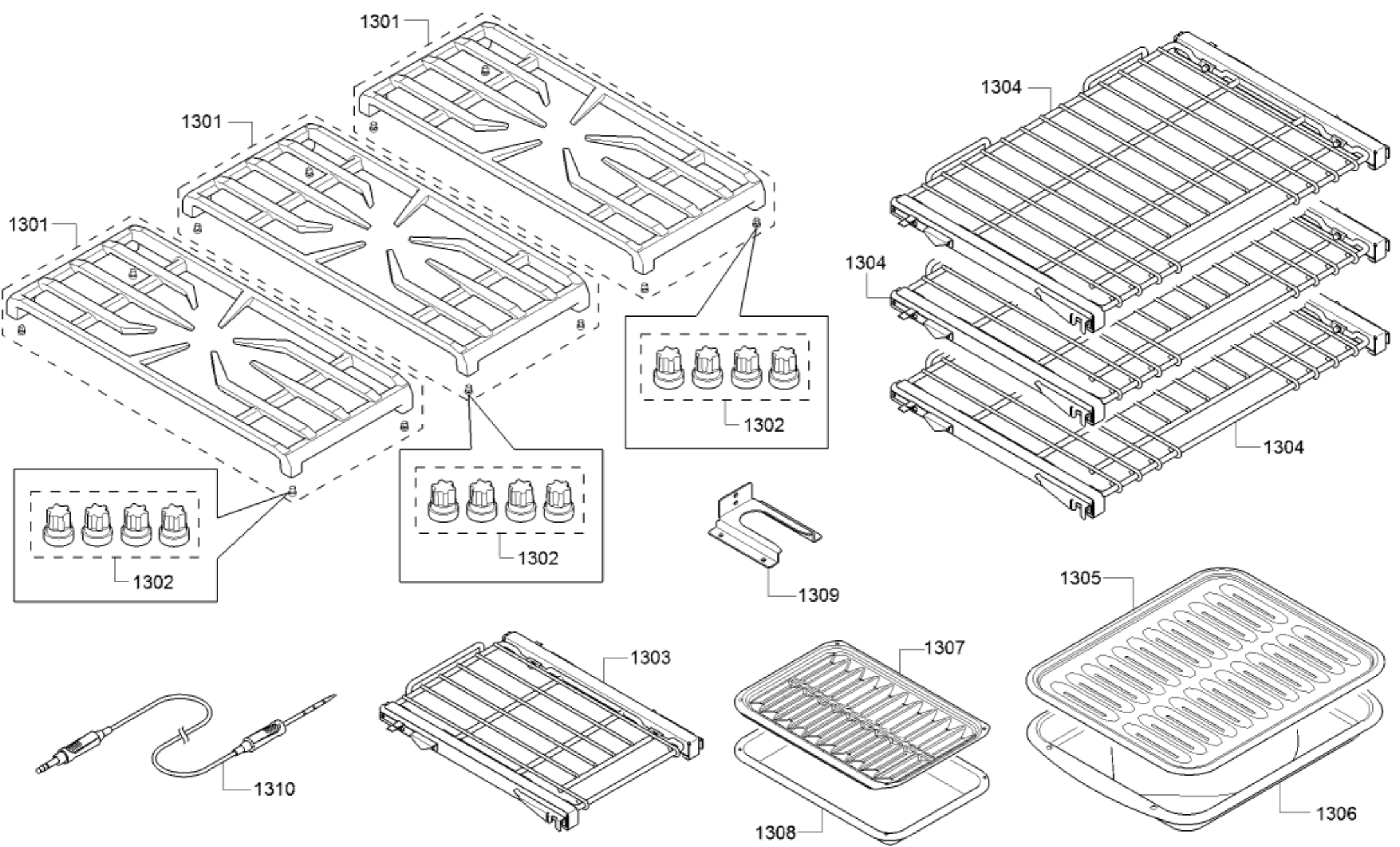
Position ID	Part number.	Replaces:	Description
1003	10011167		Limiter-temperature
1007	10001186		Plate
1008	10011170		Bolt
1009	10001351		Foot
1011	12026847		Seal-door
1012	11030961		Seal-door
1004	00628372		Terminal
1005	00651285		Latch
1006	00618400		Switch-door
1010	00649416		Hinge-plate
1030	00648862		Cable harness
1001	10020211		Fan motor
1002	10020212		Fan motor



Position ID	Part number.	Replaces:	Description
1101	20000091		Door-outer
1102	20000092		Door-inner
1103	10010275		Screw
1104	10011398		Bracket
1105	10011397		Handle-cap shaped
1106	11033705		Handle-door
1107	10011397		Handle-cap shaped
1109	10010274		Screw
1110	10008228		Screw
1111	11032539		Hinge
1112	00618862		Screw



Position ID	Part number.	Replaces:	Description
1203	10010275		Screw
1204	10011398		Bracket
1205	10011397		Handle-cap shaped
1206	11032089		Handle
1207	10011397		Handle-cap shaped
1208	10010271		Plate
1211	10011376		Hinge
1201	20000063		Door-outer
1202	20000064		Door-inner
1212	00618862		Screw



Position ID	Part number.	Replaces:	Description
1305	11013689		Grill tray
1309	10010207		Bracket
1301	00145306		Grill grid
1302	00637940		Grate Foot Replacement Kit
1303	00774612		18" Telescopic Rack
1304	00774613		30" Telescopic Rack
1306	00484628	00449757	Tray for Broiler Pan
1307	00666709		Tray for Broiler Pan
1308	00666710		Broiler Pan
1310	00753356		Sensor