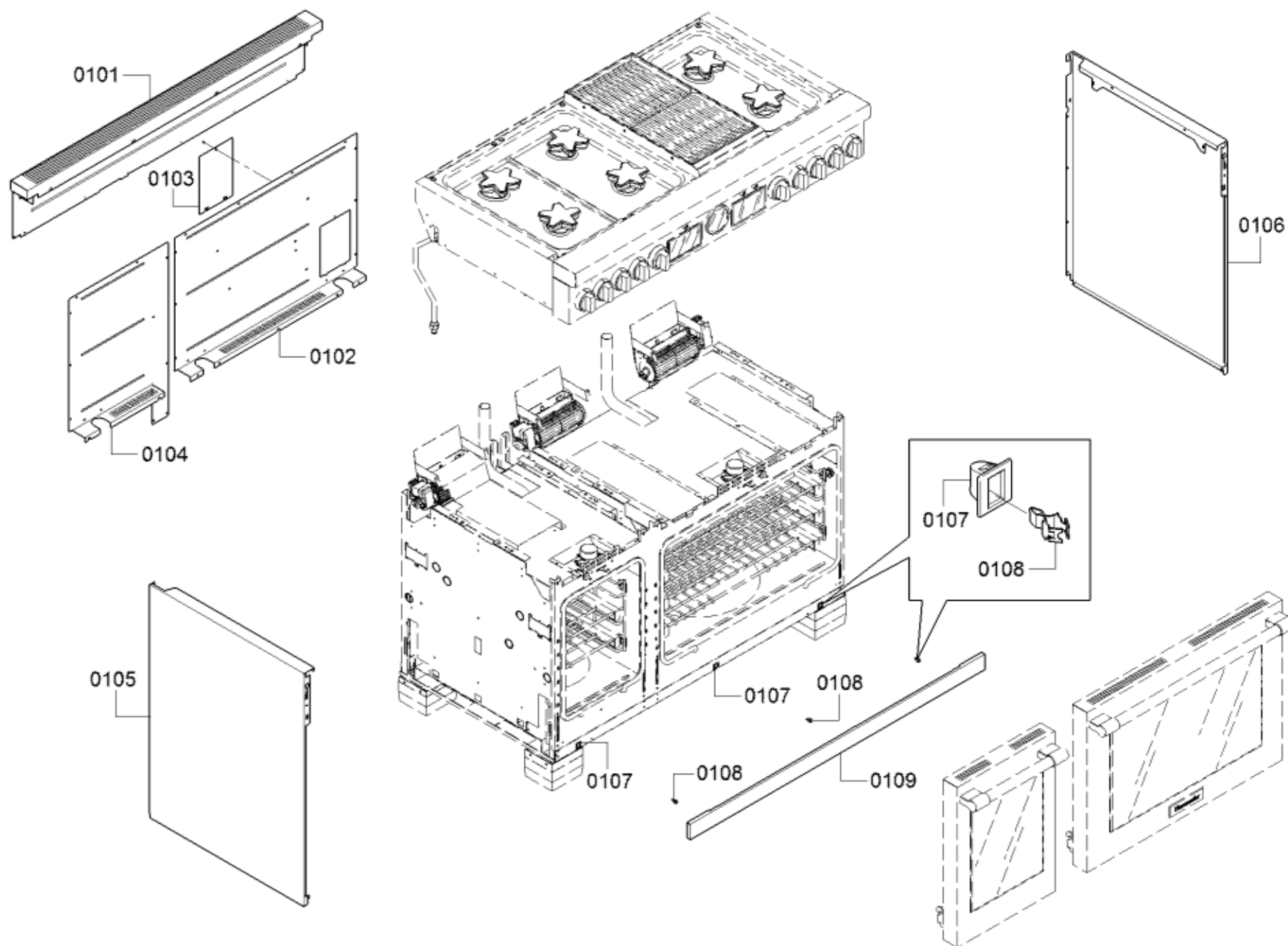
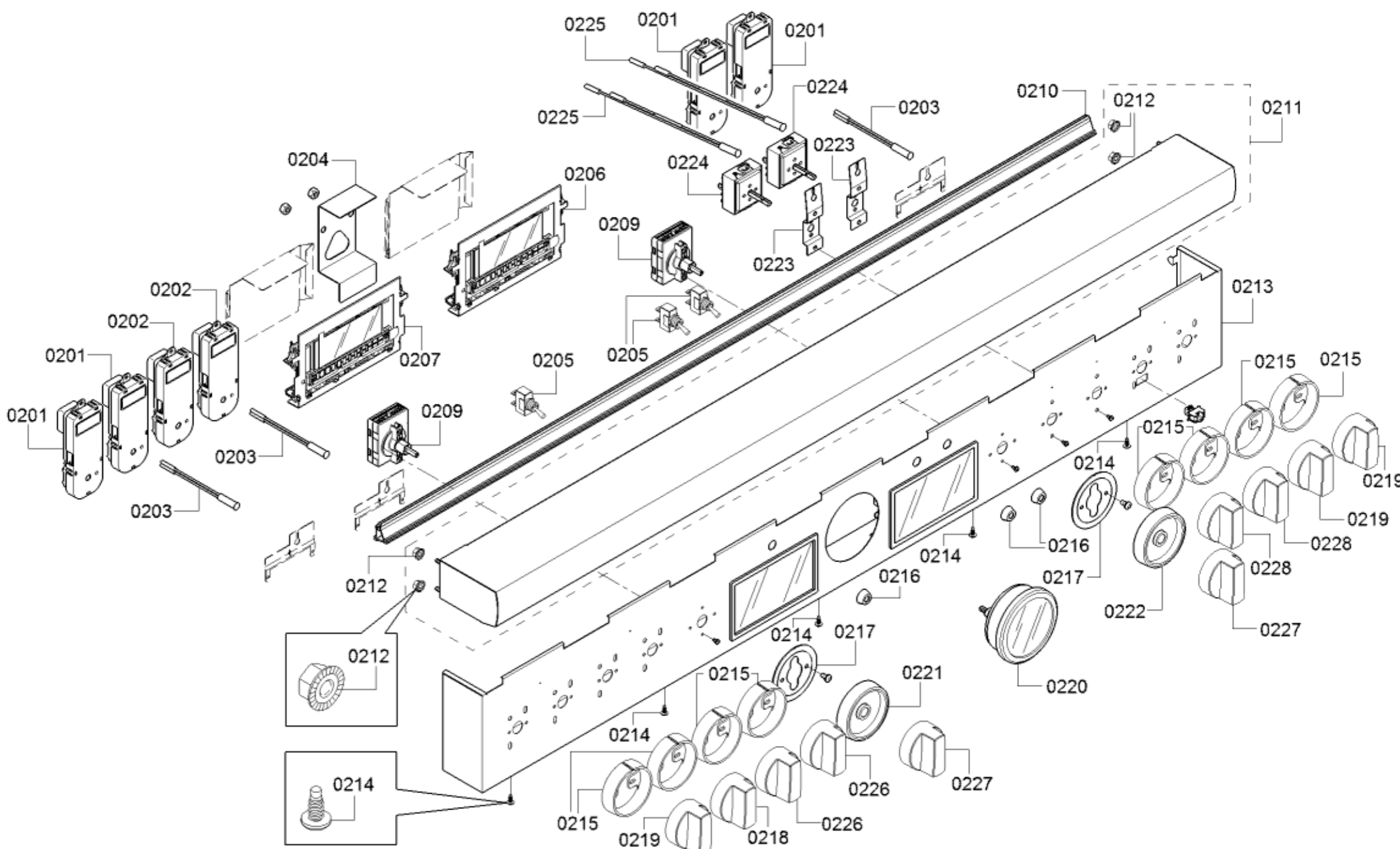




0199

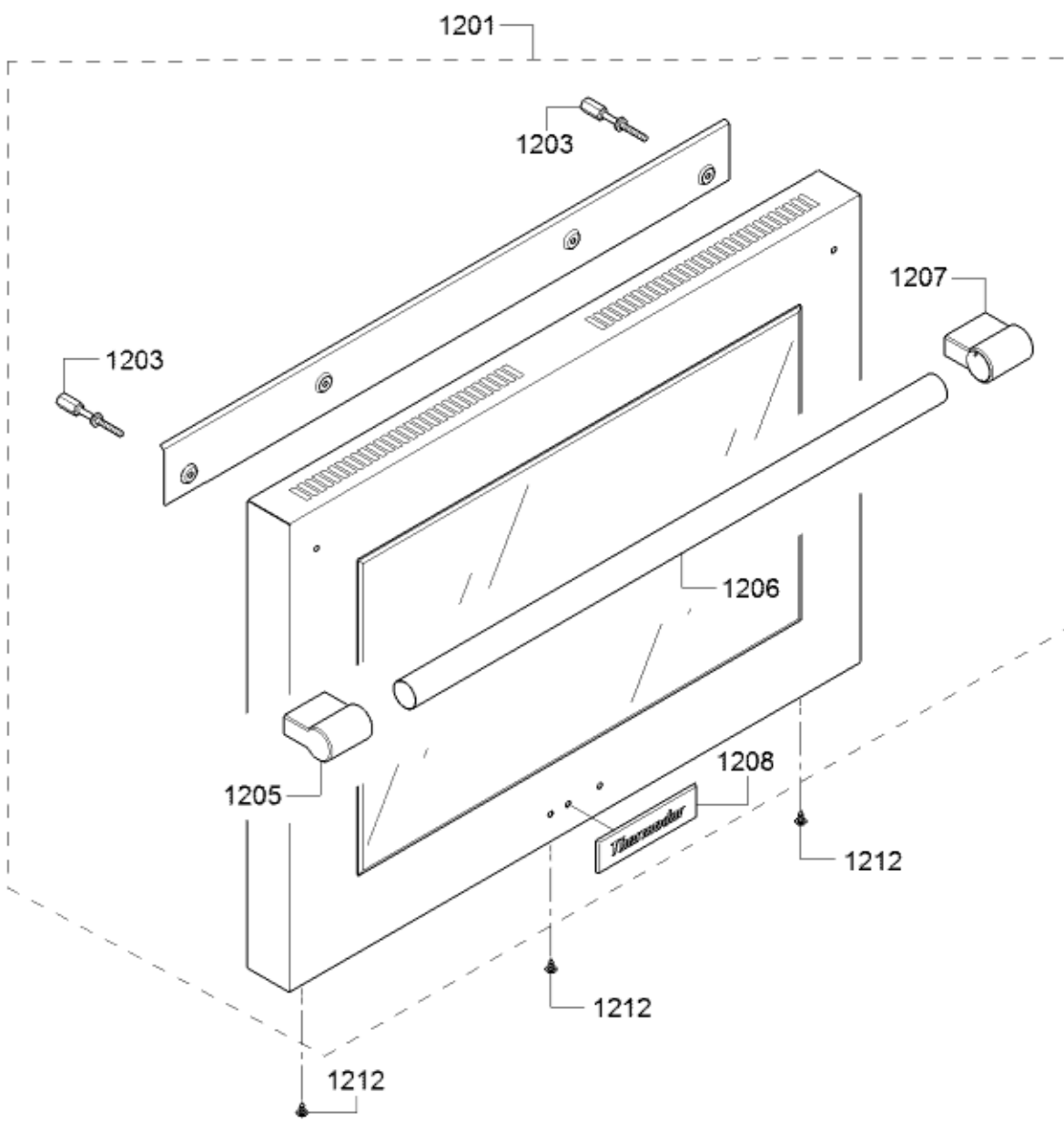
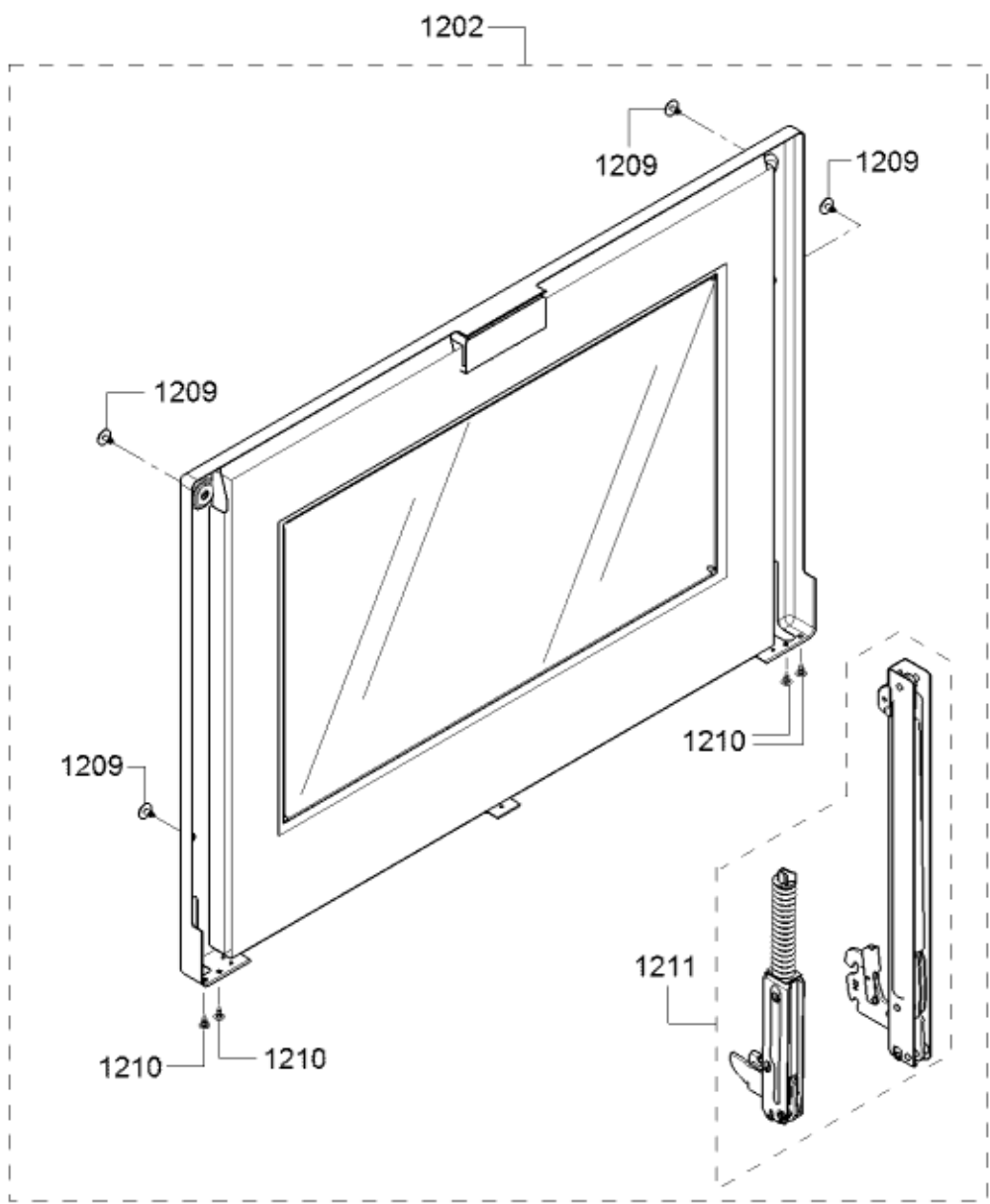


| <b>Position ID</b> | <b>Part number.</b> | <b>Replaces:</b> | <b>Description</b> |
|--------------------|---------------------|------------------|--------------------|
| 0101               | 00146137            |                  | Back wall panel    |
| 0102               | 23000092            |                  | Back panel         |
| 0103               | 00649417            | 00752161         | Cover              |
| 0104               | 12028699            |                  | Back panel         |
| 0105               | 20000392            |                  | Panel side         |
| 0106               | 20000393            |                  | Panel side         |
| 0108               | 00619081            |                  | Connection piece   |
| 0109               | 12028700            |                  | Plate              |
| 0107               | 10013545            |                  | Latch              |



| <b>Position ID</b> | <b>Part number.</b> | <b>Replaces:</b> | <b>Description</b>            |
|--------------------|---------------------|------------------|-------------------------------|
| 0201               | 12024418            |                  | Module-relay                  |
| 0202               | 12024417            |                  | Module-relay                  |
| 0203               | 00617931            |                  | Display                       |
| 0204               | 11032519            |                  | Bracket                       |
| 0205               | 00609115            |                  | Switch                        |
| 0206               | 11032495            |                  | Display module not programmed |
| 0207               | 11032497            |                  | Display module not programmed |
| 0207               | 11032504            |                  | Display module programmed     |
| 0209               | 10010232            |                  | Encoder                       |
| 0210               | 11033021            |                  | Light bar                     |
| 0211               | 20000043            | 23000468         | Support                       |
| 0213               | 20000030            |                  | Panel-facia                   |
| 0214               | 10008212            |                  | Screw                         |
| 0215               | 10008201            |                  | Ring                          |
| 0216               | 00418122            |                  | Ring                          |
| 0217               | 10010231            |                  | Encoder                       |
| 0218               | 10011598            |                  | Knob                          |
| 0219               | 10008199            |                  | Knob                          |
| 0221               | 10011596            |                  | Knob                          |
| 0222               | 10010228            |                  | Ring                          |
| 0223               | 10008226            |                  | Bracket                       |
| 0224               | 00629049            |                  | Energy regulator              |
| 0225               | 00617886            |                  | Display                       |
| 0226               | 10008200            |                  | Knob                          |
| 0227               | 10010230            |                  | Knob                          |
| 0228               | 10008225            |                  | Knob                          |
| 0230               | 12026865            |                  | Cable harness                 |

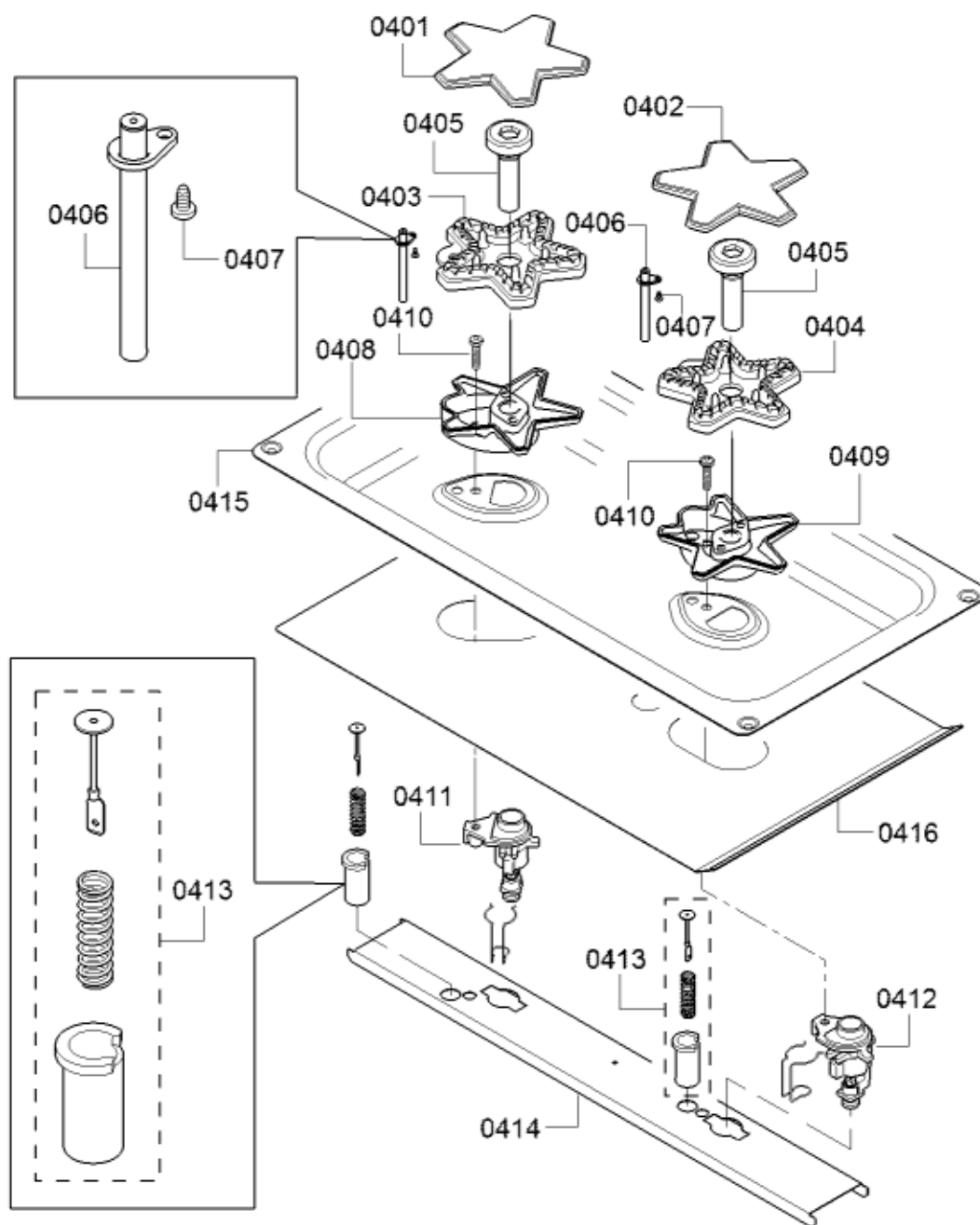
|      |          |  |                           |
|------|----------|--|---------------------------|
| 0206 | 12028852 |  | Display module programmed |
| 0212 | 00623615 |  | Nut                       |
| 0220 | 12034239 |  | Display-temperature       |



| <b>Position ID</b> | <b>Part number.</b> | <b>Replaces:</b> | <b>Description</b> |
|--------------------|---------------------|------------------|--------------------|
| 1201               | 20000151            |                  | Door-outer         |
| 1202               | 20000152            |                  | Door-inner         |
| 1203               | 10011927            |                  | Bolt               |
| 1205               | 10011397            |                  | Handle-cap shaped  |
| 1206               | 11033033            |                  | Handle-door        |
| 1207               | 10011397            |                  | Handle-cap shaped  |
| 1208               | 10010271            |                  | Plate              |
| 1211               | 11032543            |                  | Hinge              |
| 1210               | 12022200            |                  | Sensor             |
| 1209               | 10010274            |                  | Screw              |
| 1210               | 10008228            |                  | Screw              |

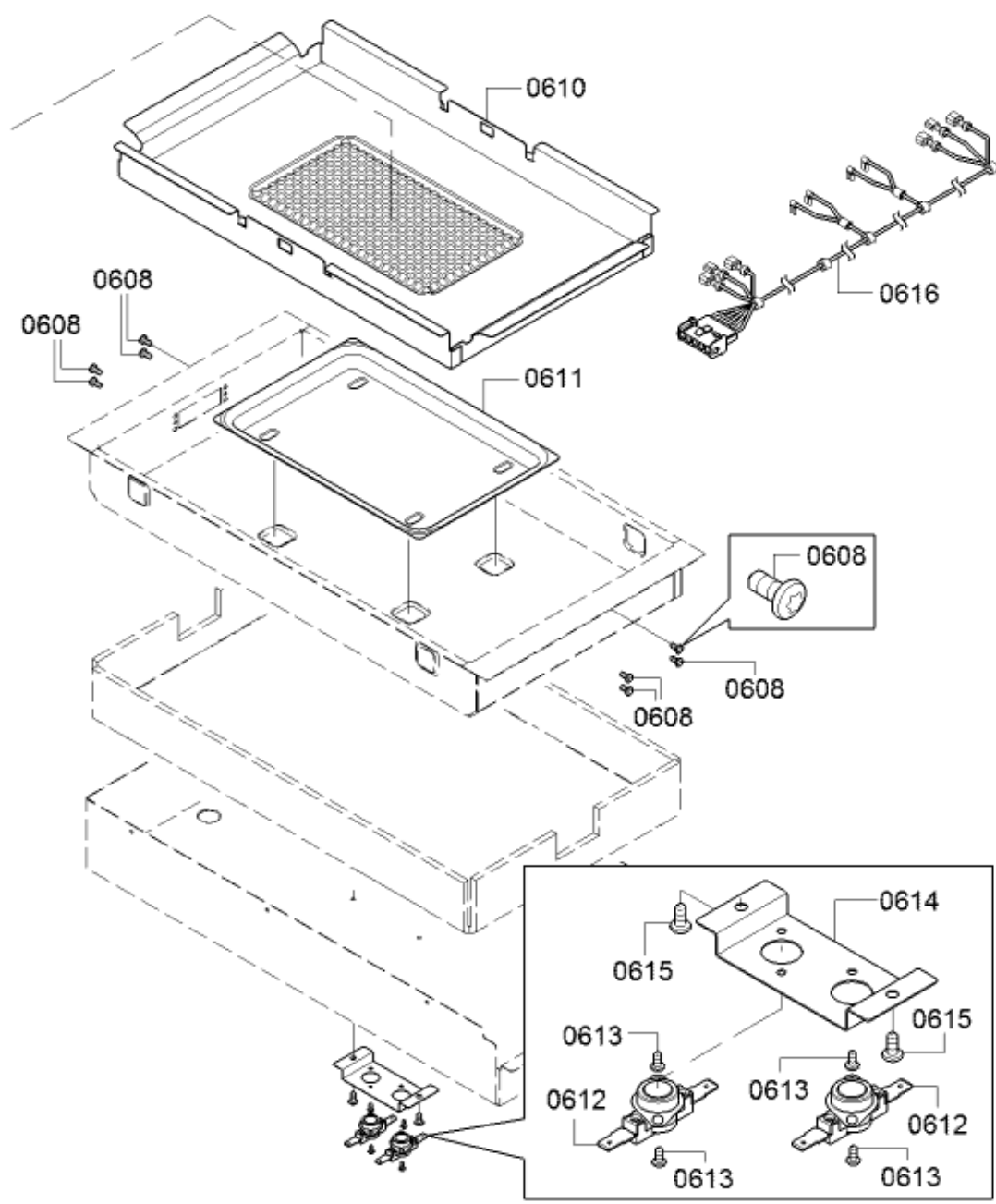
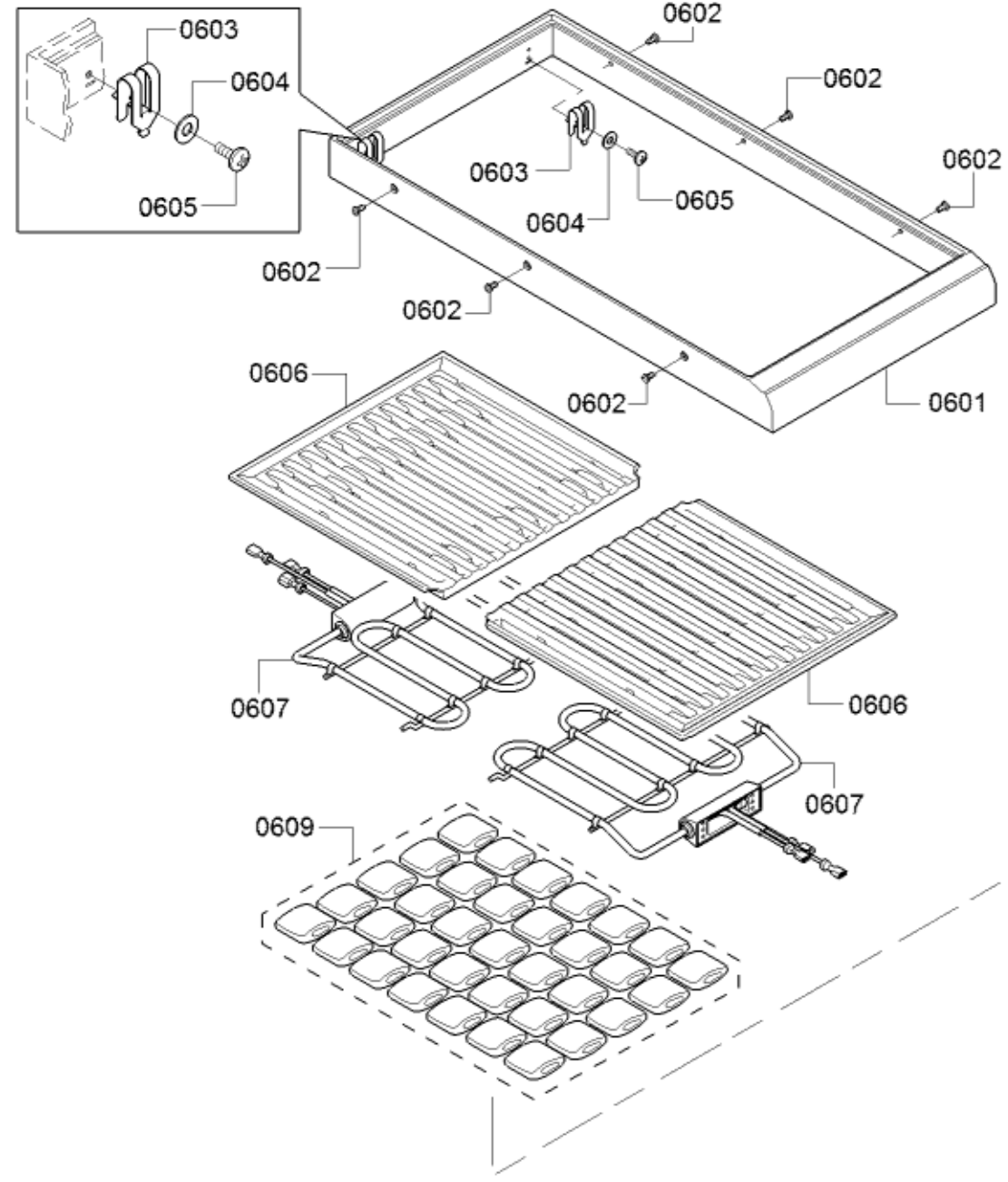


0496

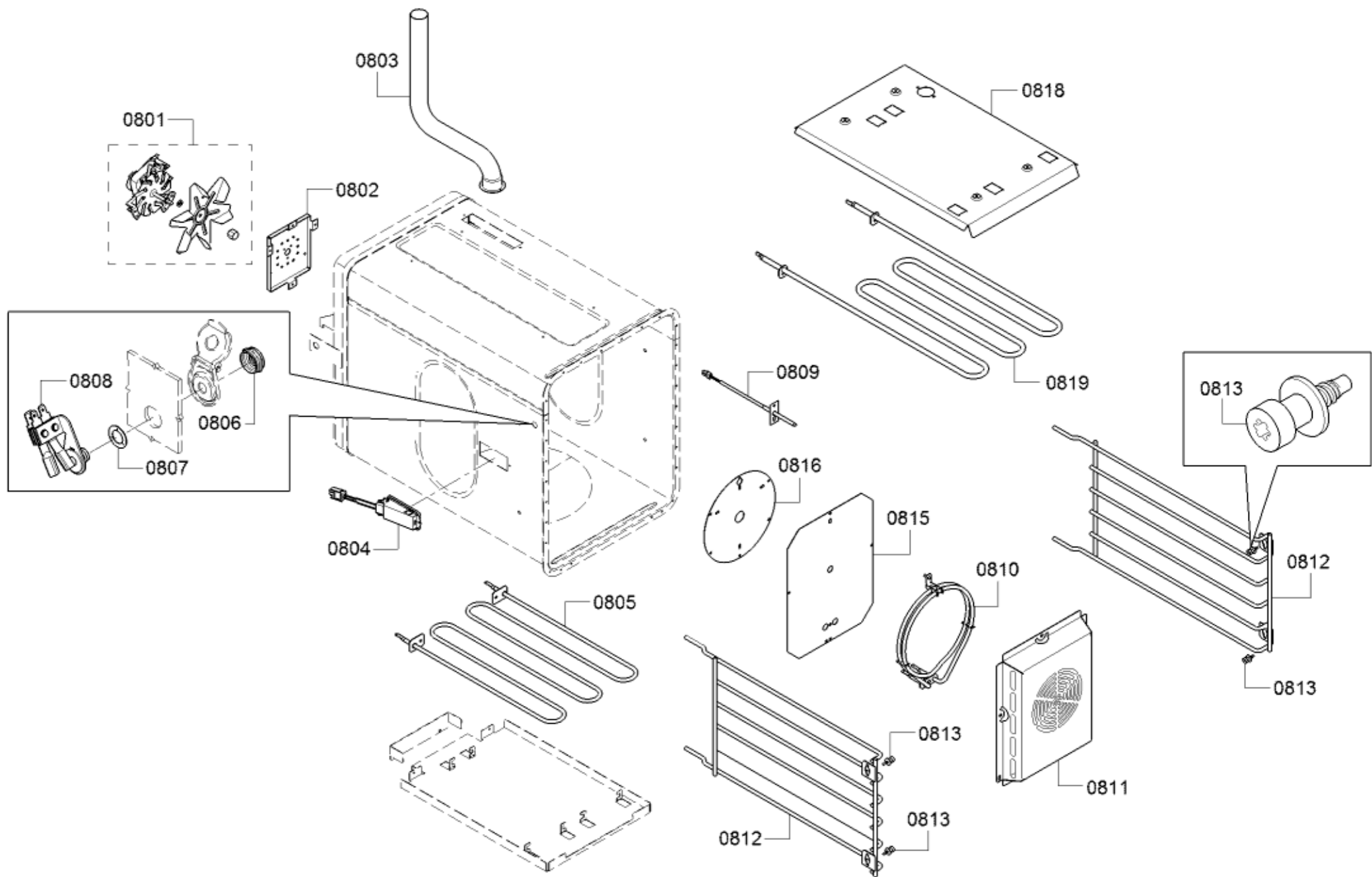




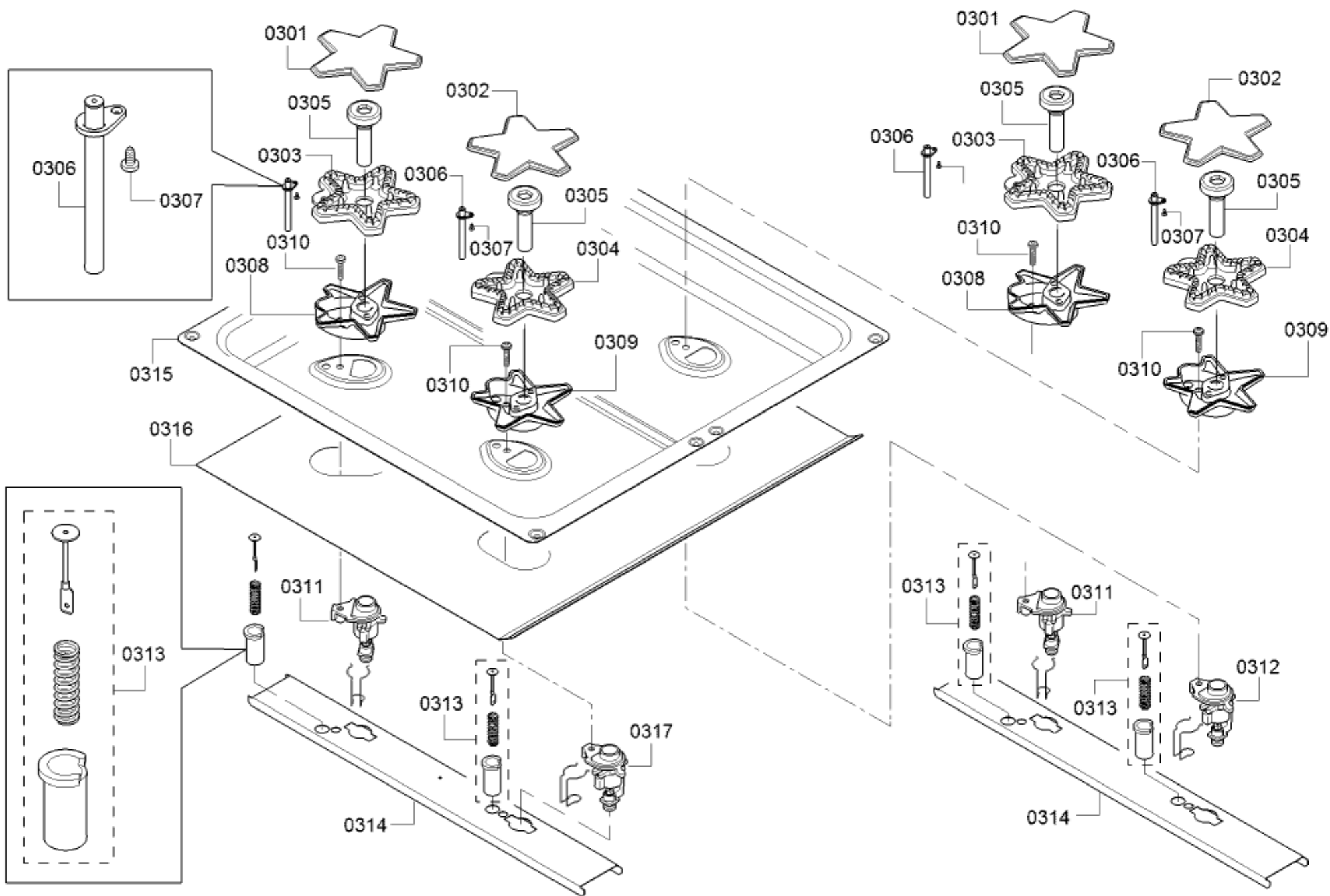
| <b>Position ID</b> | <b>Part number.</b> | <b>Replaces:</b> | <b>Description</b> |
|--------------------|---------------------|------------------|--------------------|
| 0401               | 10004490            |                  | Burner cap         |
| 0402               | 10004489            |                  | Burner cap         |
| 0403               | 10004493            |                  | Burner             |
| 0404               | 10004492            |                  | Burner             |
| 0405               | 10004495            |                  | Venturi nozzle     |
| 0406               | 10006471            |                  | Electrode          |
| 0408               | 10004498            |                  | Burner housing     |
| 0409               | 10004497            |                  | Burner housing     |
| 0411               | 10006793            |                  | Jet                |
| 0412               | 10006797            |                  | Jet                |
| 0413               | 12007259            |                  | Ignition device    |
| 0415               | 11013687            |                  | Hob top            |
| 0416               | 10008221            |                  | Heat shield        |
| 0414               | 00701902            |                  | Rail               |
| 0407               | 10008211            |                  | Screw              |
| 0410               | 10004531            |                  | Screw              |



| <b>Position ID</b> | <b>Part number.</b> | <b>Replaces:</b> | <b>Description</b>                           |
|--------------------|---------------------|------------------|--|
| 0601               | 12024441            |                  | Frame  |
| 0602               | 10008228            |                  | Screw  |
| 0603               | 00634163            |                  | Clip   |
| 0604               | 10010298            |                  | Washer                                       |
| 0605               | 10008224            |                  | Screw  |
| 0606               | 00145749            |                  | Grill grid                                   |
| 0607               | 11030956            |                  | Heating element                              |
| 0608               | 10008210            |                  | Screw  |
| 0609               | 11030067            |                  | Grill accessories                            |
| 0610               | 11030015            |                  | Tray for Ceramic Briquettes (for PABRICKBKW) |
| 0611               | 00098049            |                  | Salver                                       |
| 0612               | 12004405            |                  | Temperature sensor                           |
| 0613               | 10008210            |                  | Screw  |
| 0614               | 00634165            |                  | Bracket                                      |
| 0615               | 10008210            |                  | Screw  |
| 0616               | 12026866            |                  | Cable harness                                |

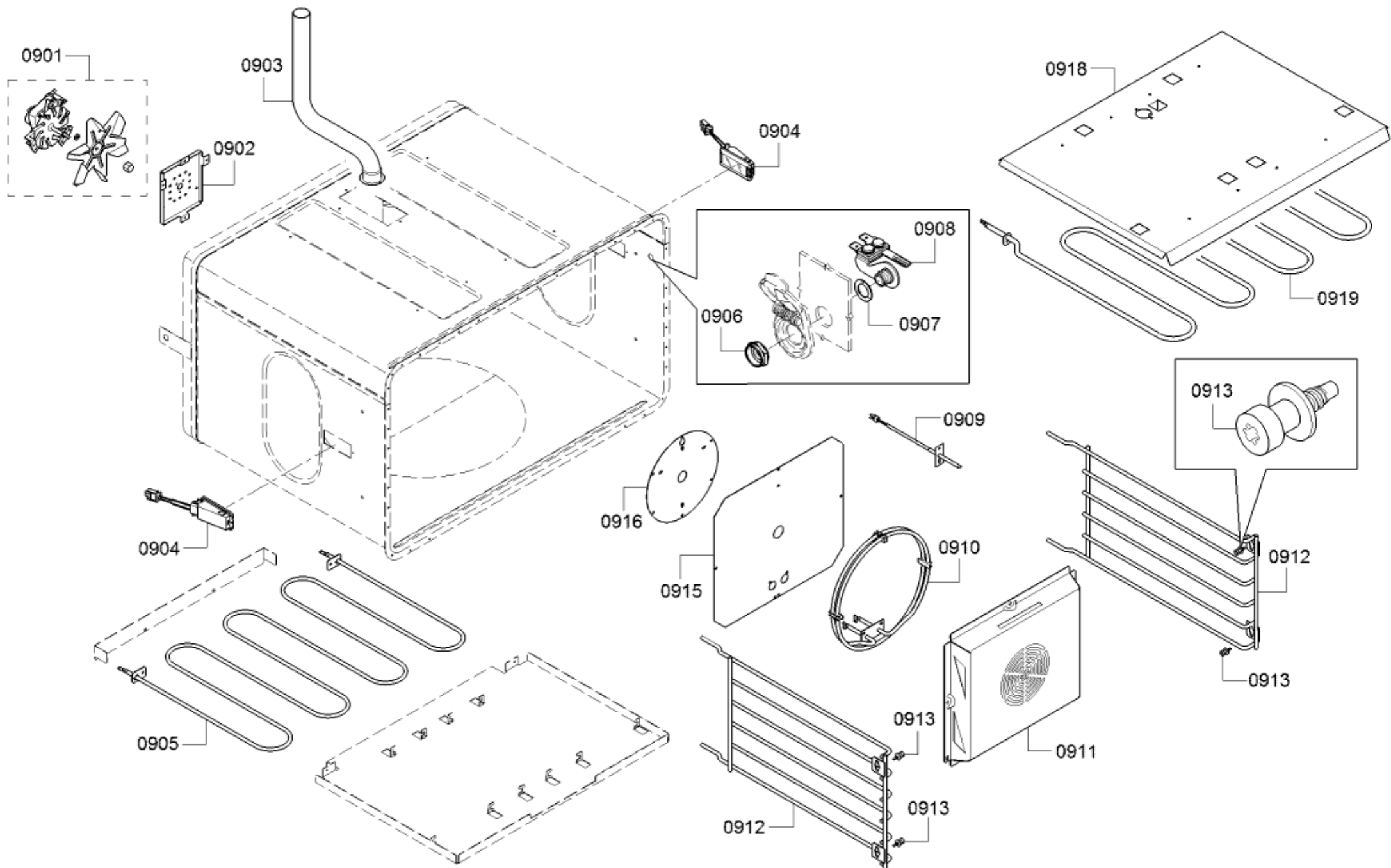


| <b>Position ID</b> | <b>Part number.</b> | <b>Replaces:</b> | <b>Description</b>    |
|--------------------|---------------------|------------------|-----------------------|
| 0801               | 00497756            |                  | Motor                 |
| 0802               | 00489178            |                  | Bracket               |
| 0804               | 10007424            |                  | Lamp                  |
| 0805               | 00709469            |                  | Heating element       |
| 0806               | 10010225            |                  | Nut                   |
| 0808               | 10008183            |                  | Socket                |
| 0809               | 00627375            |                  | Temperature sensor    |
| 0810               | 00750884            |                  | Heater-ring           |
| 0811               | 12028706            |                  | Cover                 |
| 0812               | 11032546            |                  | Support               |
| 0813               | 10011396            |                  | Bolt                  |
| 0814               | 12028136            |                  | Adapter               |
| 0815               | 00706442            |                  | Reflector             |
| 0818               | 00708175            |                  | Plate                 |
| 0819               | 11033032            |                  | Heating element       |
| 0803               | 00494383            |                  | Pipe connection piece |
| 0807               | 10010208            |                  | Washer                |
| 0816               | 00479238            |                  | Cover                 |



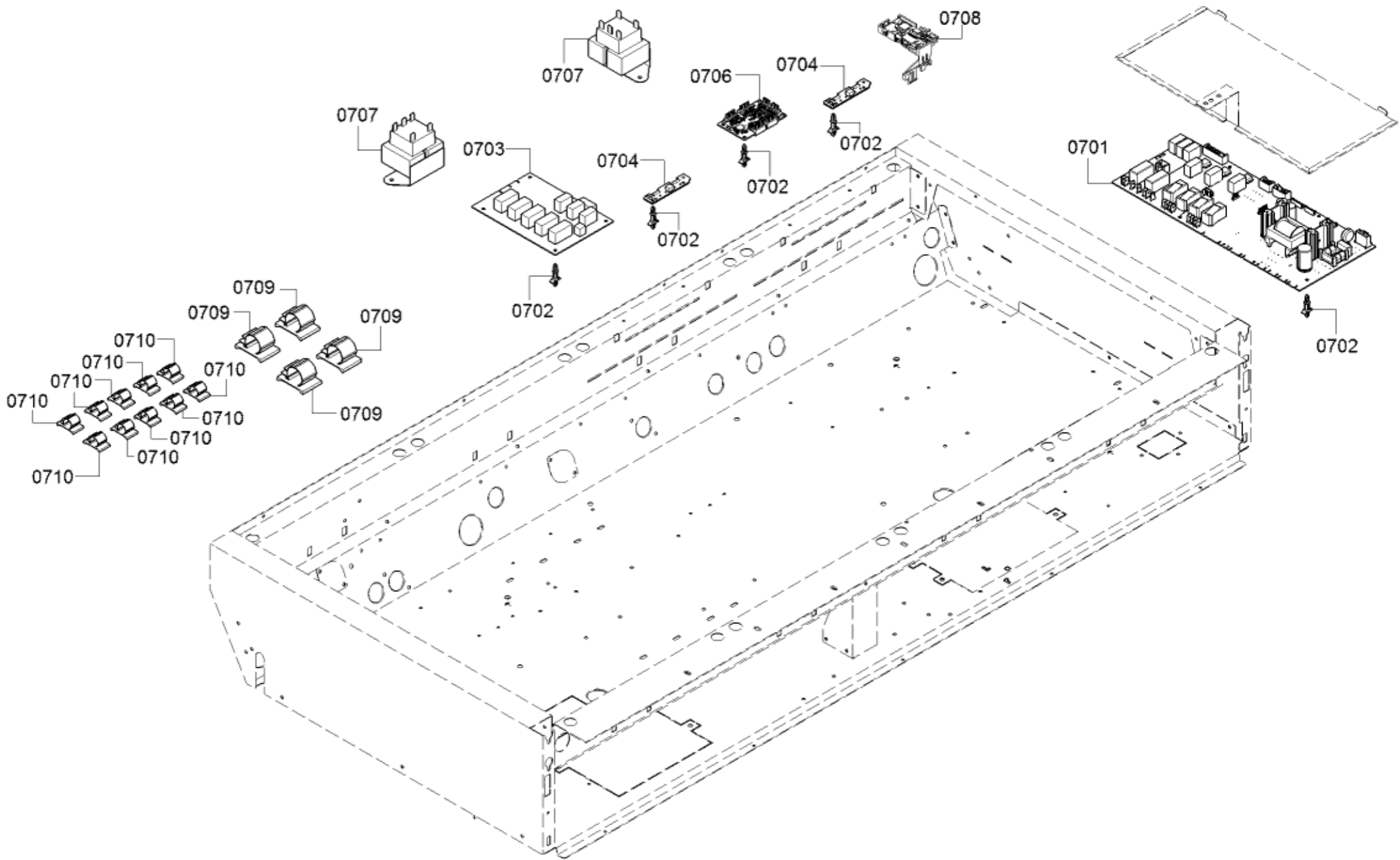
0396

| <b>Position ID</b> | <b>Part number.</b> | <b>Replaces:</b> | <b>Description</b> |
|--------------------|---------------------|------------------|--------------------|
| 0301               | 10004490            |                  | Burner cap         |
| 0302               | 10004489            |                  | Burner cap         |
| 0303               | 10004493            |                  | Burner             |
| 0304               | 10004492            |                  | Burner             |
| 0305               | 10004495            |                  | Venturi nozzle     |
| 0306               | 10006471            |                  | Electrode          |
| 0308               | 10004498            |                  | Burner housing     |
| 0309               | 10004497            |                  | Burner housing     |
| 0311               | 10006793            |                  | Jet                |
| 0312               | 10006797            |                  | Jet                |
| 0313               | 12007259            |                  | Ignition device    |
| 0315               | 00687075            |                  | Tray               |
| 0316               | 12024446            |                  | Heat shield        |
| 0317               | 10006795            |                  | Jet                |
| 0314               | 00701902            |                  | Rail               |
| 0307               | 10008211            |                  | Screw              |
| 0310               | 10004531            |                  | Screw              |

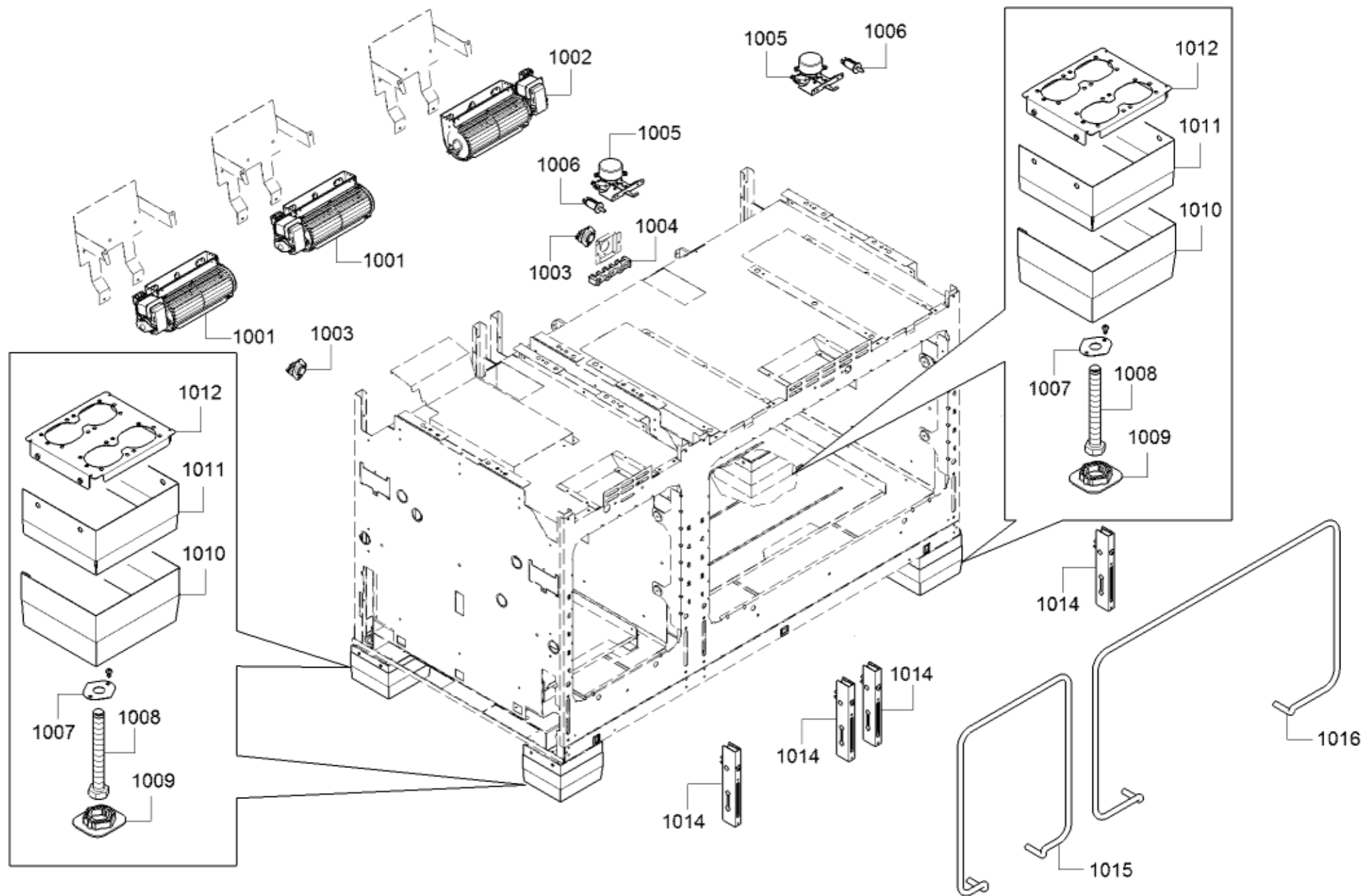




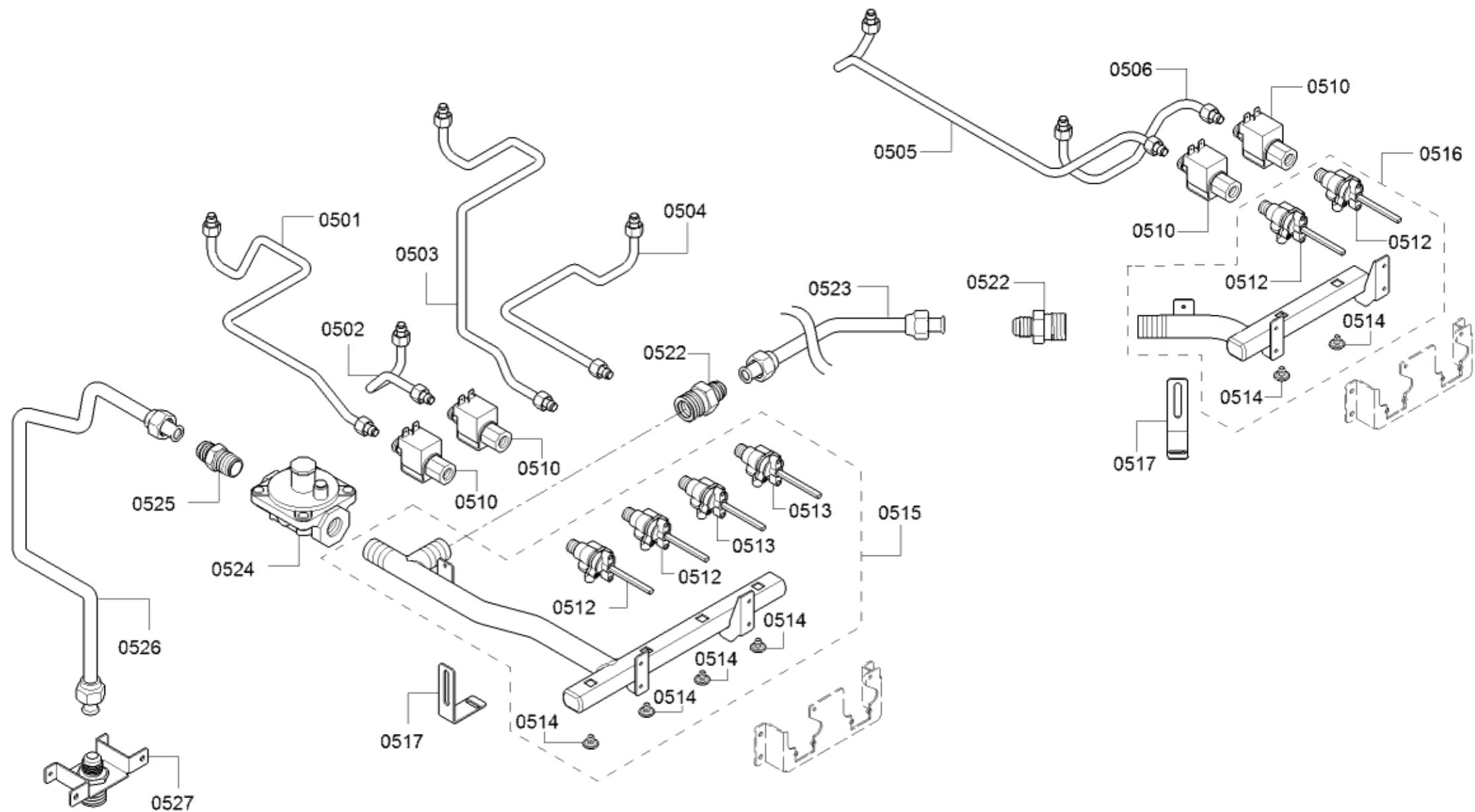
| <b>Position ID</b> | <b>Part number.</b> | <b>Replaces:</b> | <b>Description</b>    |
|--------------------|---------------------|------------------|-----------------------|
| 0901               | 00497756            |                  | Motor                 |
| 0902               | 00489178            |                  | Bracket               |
| 0903               | 00494383            |                  | Pipe connection piece |
| 0904               | 10007424            |                  | Lamp                  |
| 0905               | 00709468            |                  | Heating element       |
| 0906               | 10010225            |                  | Nut                   |
| 0908               | 10008183            |                  | Socket                |
| 0909               | 00627375            |                  | Temperature sensor    |
| 0910               | 00640401            |                  | Heating element       |
| 0911               | 20000143            |                  | Cover                 |
| 0912               | 11032546            |                  | Support               |
| 0913               | 10011396            |                  | Bolt                  |
| 0914               | 12028136            |                  | Adapter               |
| 0915               | 00706444            |                  | Cover                 |
| 0916               | 00479238            |                  | Cover                 |
| 0918               | 00687604            |                  | Plate                 |
| 0919               | 00431908            |                  | Broil Element         |
| 0907               | 10010208            |                  | Washer                |



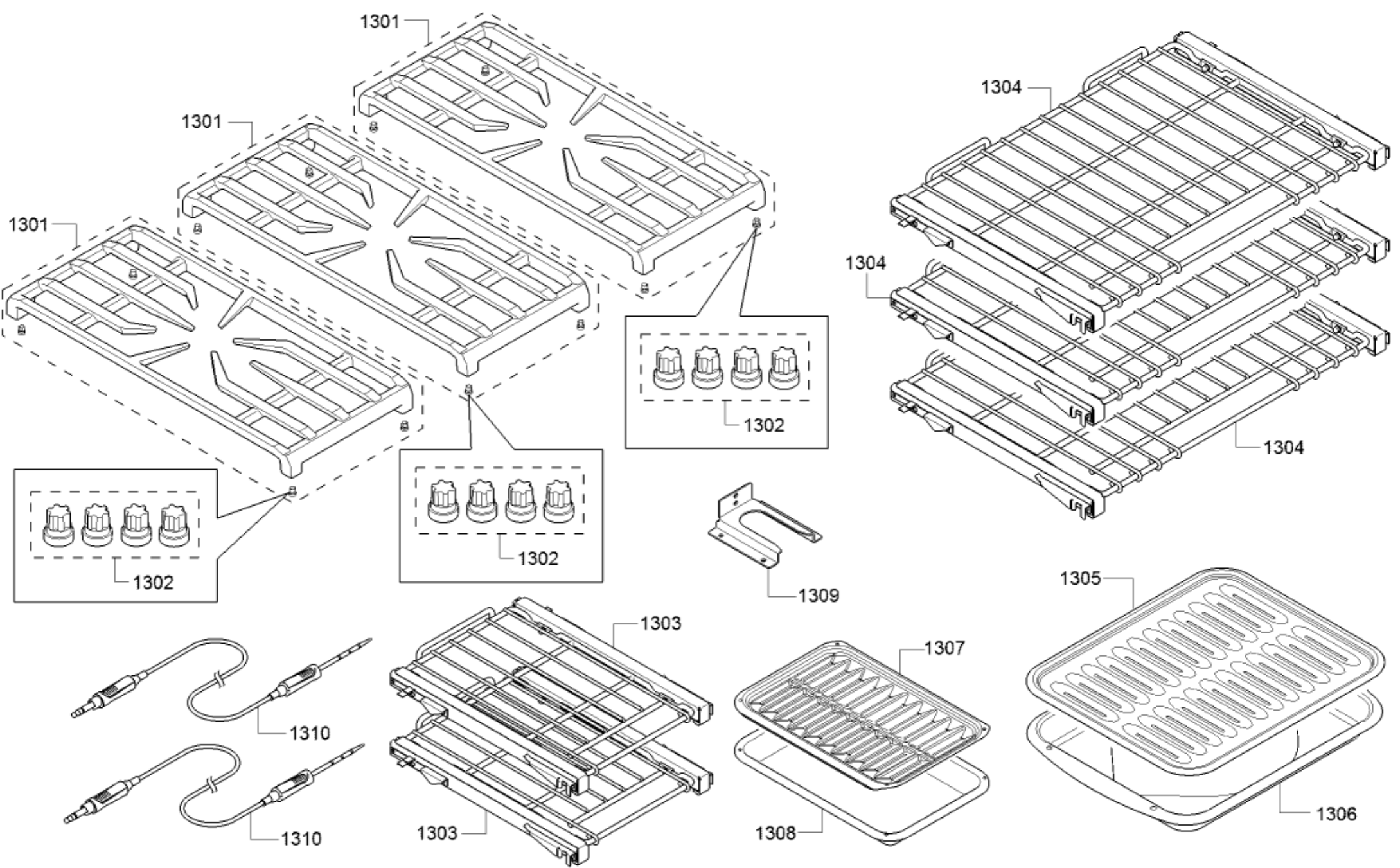
| <b>Position ID</b> | <b>Part number.</b> | <b>Replaces:</b> | <b>Description</b>            |
|--------------------|---------------------|------------------|-------------------------------|
| 0701               | 11032521            |                  | Control module programmed     |
| 0701               | 12025831            |                  | Control module not programmed |
| 0702               | 00418283            |                  | Support                       |
| 0703               | 12024477            | 12034882         | Control module                |
| 0704               | 12028088            |                  | Cable harness                 |
| 0706               | 10005470            |                  | Control module                |
| 0707               | 00489194            |                  | Transformer                   |
| 0708               | 12028138            |                  | Limiter-temperature           |
| 0709               | 10008933            |                  | Clip                          |
| 0710               | 10010202            |                  | Clip                          |
| 0711               | 10008207            |                  | Ignition cable                |
| 0712               | 12024415            |                  | Ignition cable                |
| 0713               | 12028088            |                  | Cable harness                 |
| 0714               | 12024414            |                  | Cable harness                 |
| 0715               | 12026845            |                  | Cable harness                 |
| 0716               | 12028138            |                  | Limiter-temperature           |
| 0717               | 12026925            |                  | Cable harness                 |
| 0720               | 12026870            |                  | Cable harness                 |
| 0721               | 12028509            |                  | Cable harness                 |
| 0722               | 12024436            |                  | Cable harness                 |
| 0723               | 11032801            |                  | Cable harness                 |
| 0724               | 12028086            |                  | Adapter                       |
| 0725               | 12026872            |                  | Cable harness                 |
| 0726               | 12028087            |                  | Cable harness                 |
| 0727               | 12028082            |                  | Cable harness                 |
| 0728               | 12026869            |                  | Cable harness                 |
| 0730               | 12026846            |                  | Cable harness                 |



| <b>Position ID</b> | <b>Part number.</b> | <b>Replaces:</b> | <b>Description</b>  |
|--------------------|---------------------|------------------|---------------------|
| 1003               | 10011167            |                  | Limiter-temperature |
| 1004               | 00628372            |                  | Terminal            |
| 1005               | 00651285            |                  | Latch               |
| 1006               | 00618400            |                  | Switch-door         |
| 1007               | 10001186            |                  | Plate               |
| 1008               | 12013593            |                  | Bolt                |
| 1012               | 12028141            |                  | Cover               |
| 1015               | 12028710            |                  | Seal-door           |
| 1016               | 20000145            |                  | Seal-door           |
| 1030               | 00648862            |                  | Cable harness       |
| 1009               | 10001351            |                  | Foot                |
| 1014               | 00649416            |                  | Hinge-plate         |
| 1011               | 10014059            |                  | Cover               |
| 1001               | 10020211            |                  | Fan motor           |
| 1002               | 10020212            |                  | Fan motor           |
| 1099               | 12030965            |                  | Repair-set          |

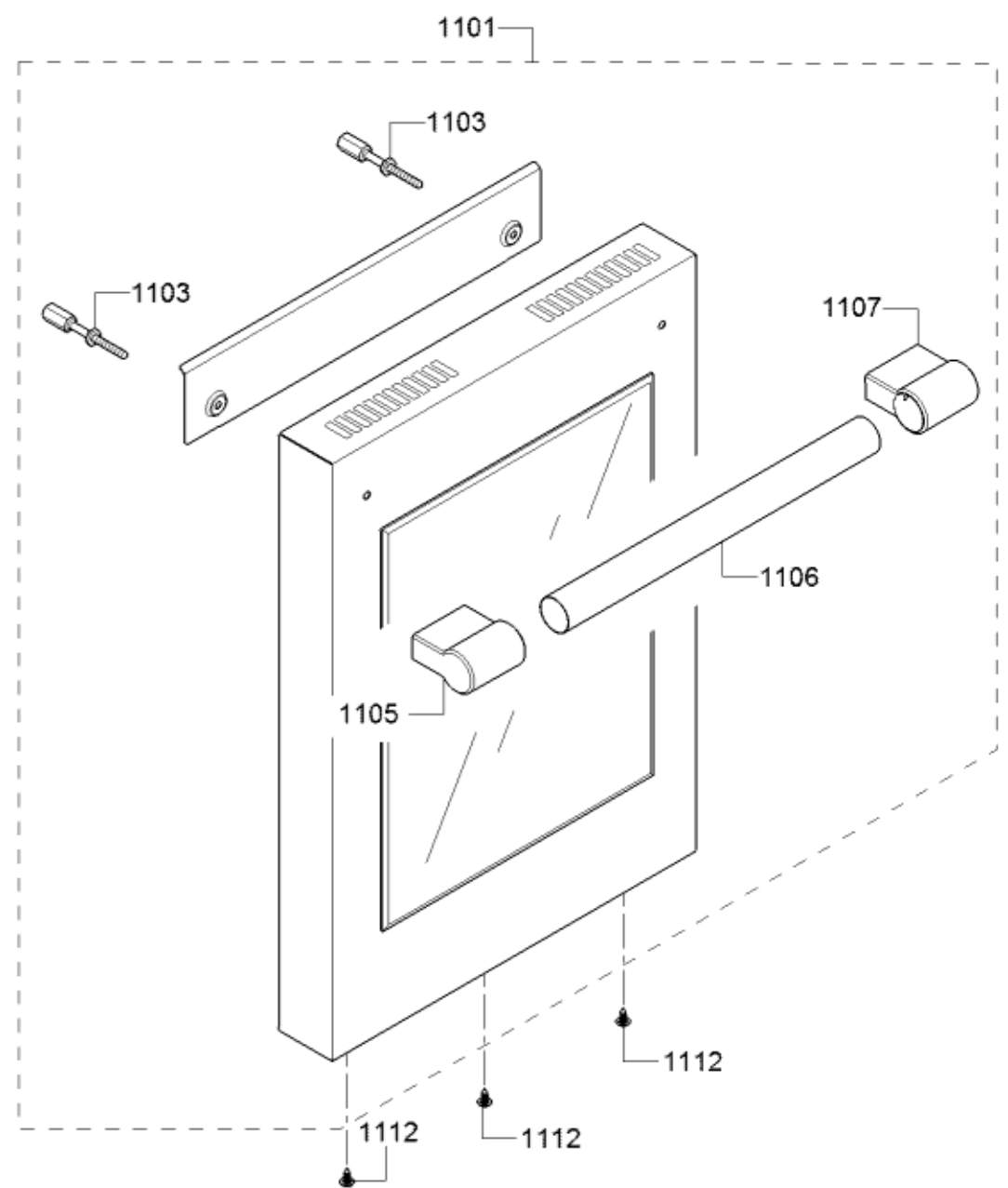
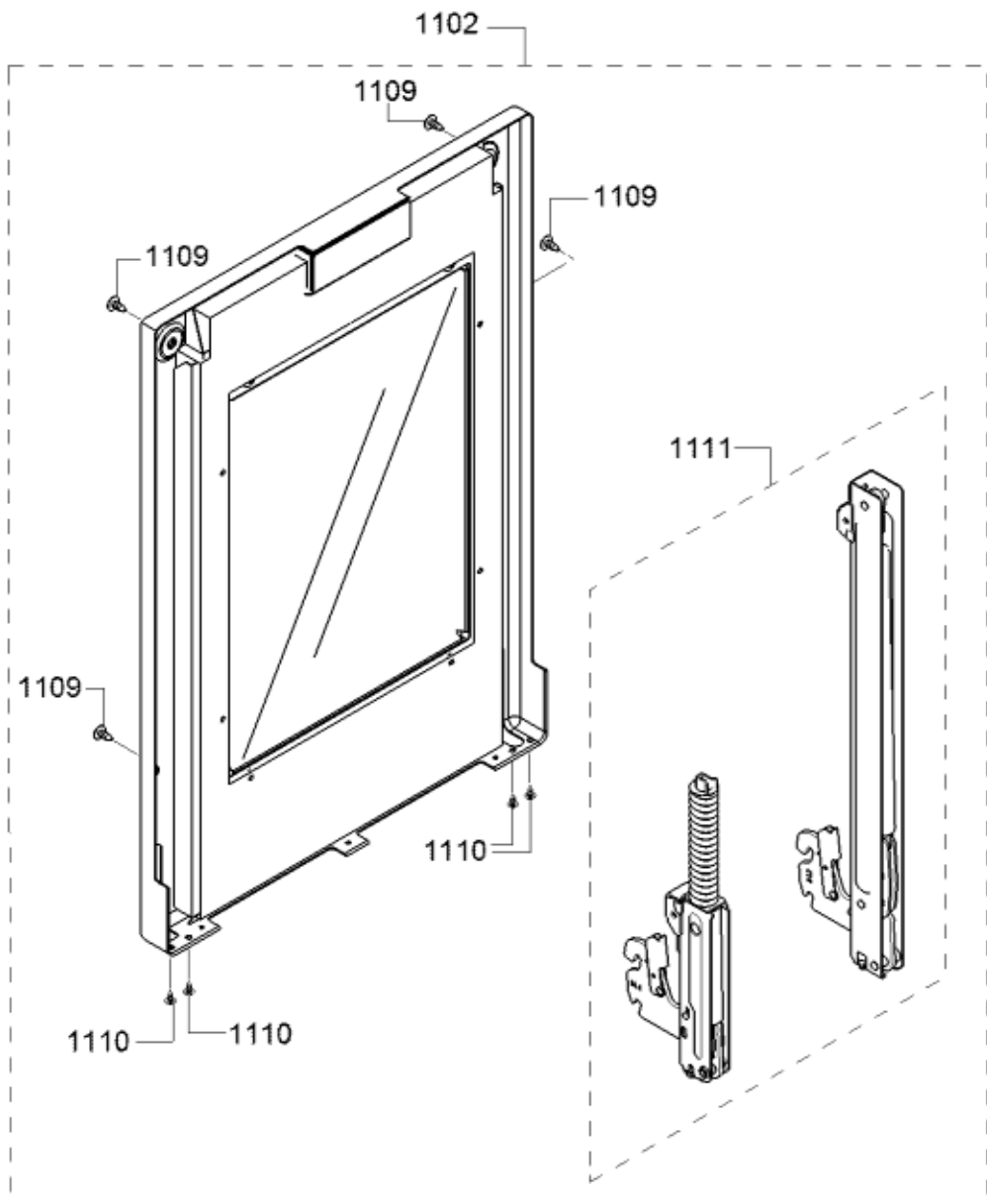


| <b>Position ID</b> | <b>Part number.</b> | <b>Replaces:</b> | <b>Description</b>    |
|--------------------|---------------------|------------------|-----------------------|
| 0501               | 11032438            |                  | Gas tap               |
| 0502               | 11032439            |                  | Gas tap               |
| 0503               | 11032863            |                  | Gas tap               |
| 0504               | 11032862            |                  | Gas tap               |
| 0505               | 11032440            |                  | Gas tap               |
| 0506               | 11032441            |                  | Gas tap               |
| 0510               | 00423093            |                  | Valve                 |
| 0512               | 10003806            |                  | Valve                 |
| 0512               | 10009155            |                  | Valve                 |
| 0513               | 20000265            |                  | Manifold              |
| 0514               | 00420807            |                  | Screw                 |
| 0514               | 10003806            |                  | Valve                 |
| 0515               | 20000140            |                  | Manifold              |
| 0516               | 20000265            |                  | Manifold              |
| 0517               | 10009569            |                  | Bracket               |
| 0522               | 10010270            |                  | Pipe connection piece |
| 0523               | 11033022            |                  | Tub complete          |
| 0524               | 00754658            |                  | Regulator-pressure    |
| 0525               | 10010200            |                  | Adapter               |
| 0526               | 11033031            |                  | Hose-inlet            |
| 0527               | 10011592            |                  | Extension for inlet   |

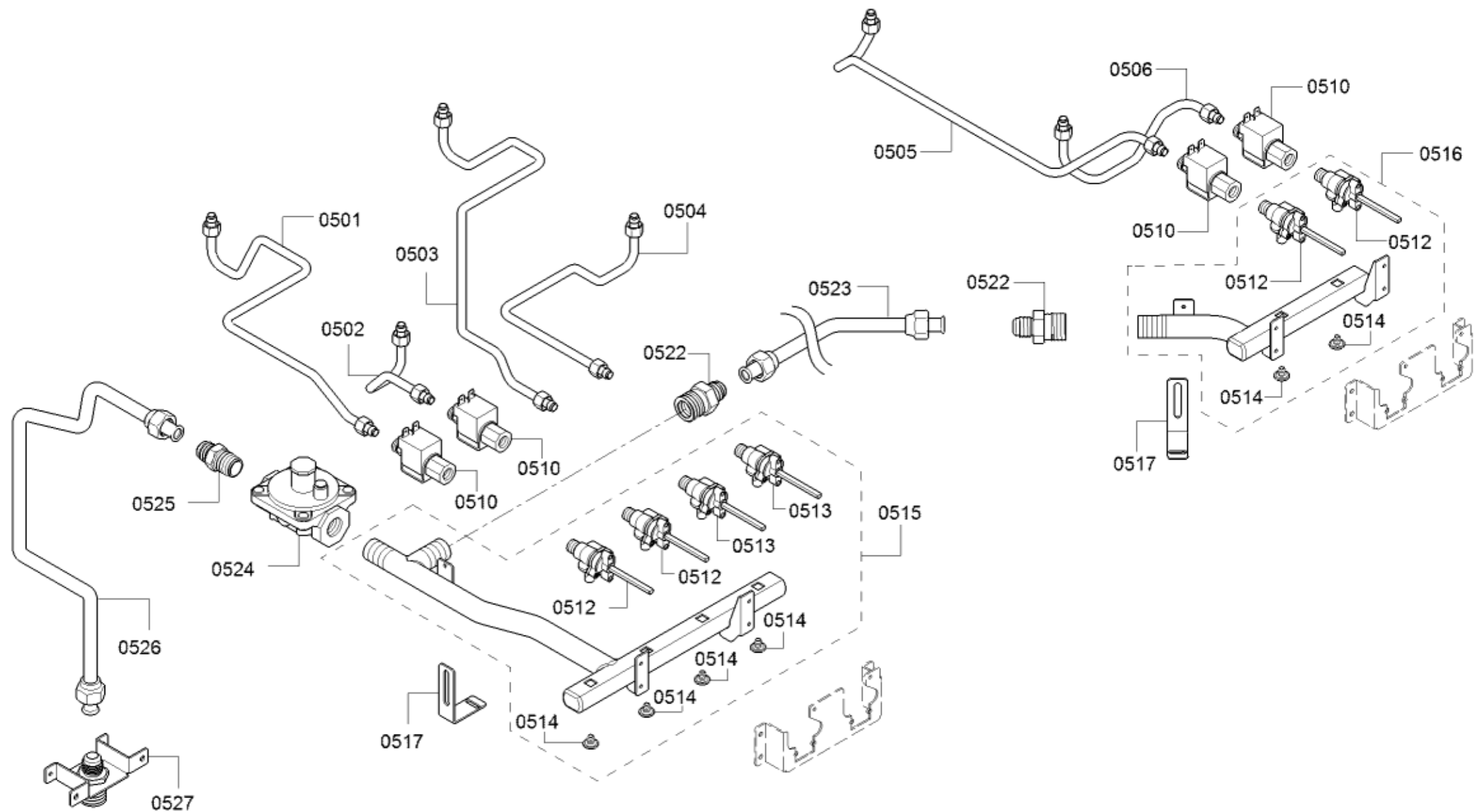




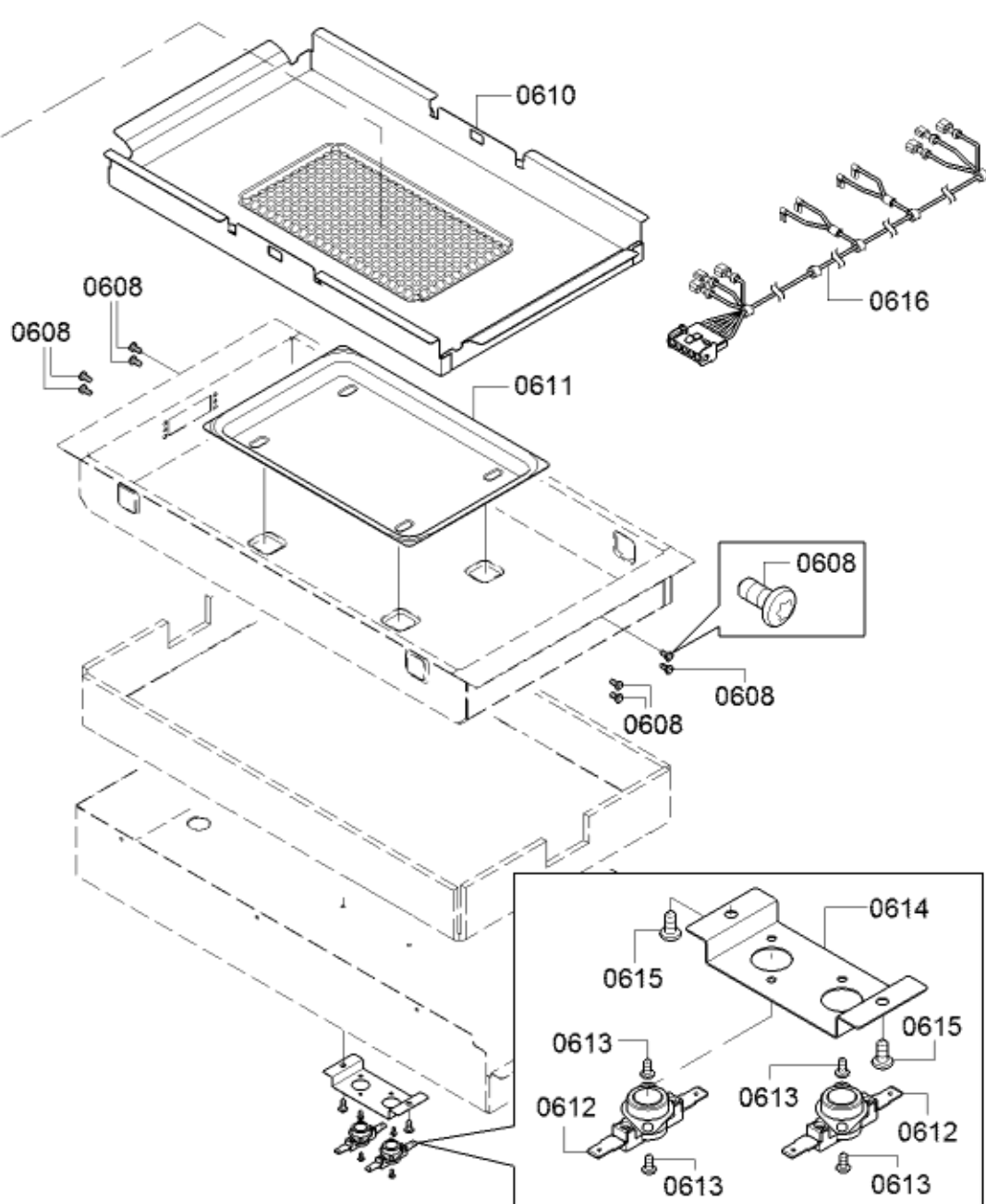
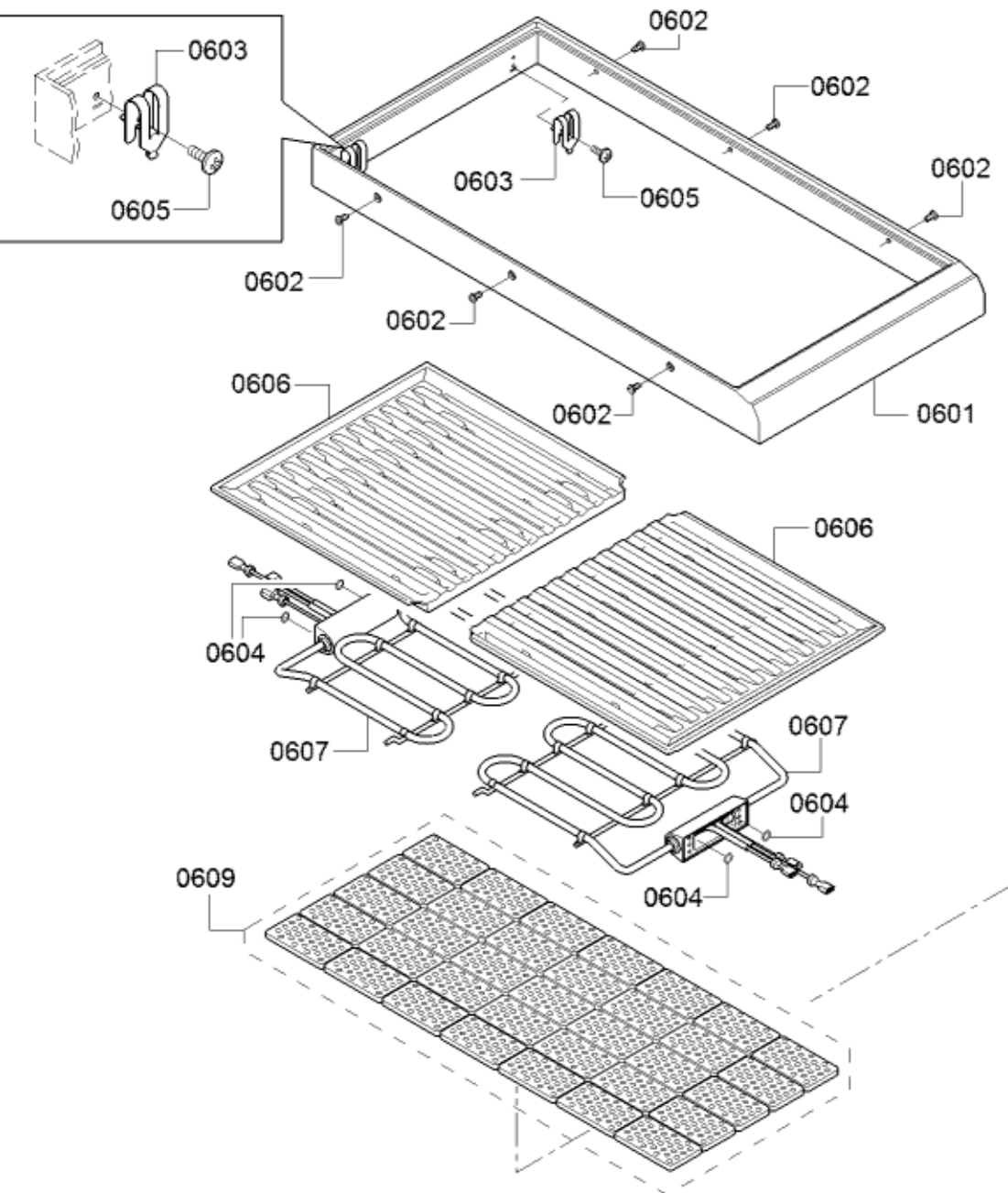
| <b>Position ID</b> | <b>Part number.</b> | <b>Replaces:</b> | <b>Description</b>         |
|--------------------|---------------------|------------------|----------------------------|
| 1301               | 00145306            |                  | Grill grid                 |
| 1303               | 00774615            |                  | 12" Telescopic Rack        |
| 1304               | 00774617            |                  | 36" Telescopic Rack        |
| 1305               | 11013689            |                  | Grill tray                 |
| 1306               | 00484628            | 00449757         | Tray for Broiler Pan       |
| 1307               | 00666709            |                  | Tray for Broiler Pan       |
| 1308               | 00666710            |                  | Broiler Pan                |
| 1309               | 10010207            |                  | Bracket                    |
| 1310               | 12022200            |                  | Sensor                     |
| 1302               | 00637940            |                  | Grate Foot Replacement Kit |



| <b>Position ID</b> | <b>Part number.</b> | <b>Replaces:</b> | <b>Description</b> |
|--------------------|---------------------|------------------|--------------------|
| 1101               | 20000149            |                  | Door-outer         |
| 1102               | 20000150            |                  | Door-inner         |
| 1103               | 10011927            |                  | Bolt               |
| 1105               | 10011397            |                  | Handle-cap shaped  |
| 1106               | 12028711            |                  | Handle-door        |
| 1107               | 10011397            |                  | Handle-cap shaped  |
| 1111               | 11032542            |                  | Hinge              |
| 1109               | 10010274            |                  | Screw              |
| 1110               | 10008228            |                  | Screw              |
| 1112               | 10011608            |                  | Screw              |



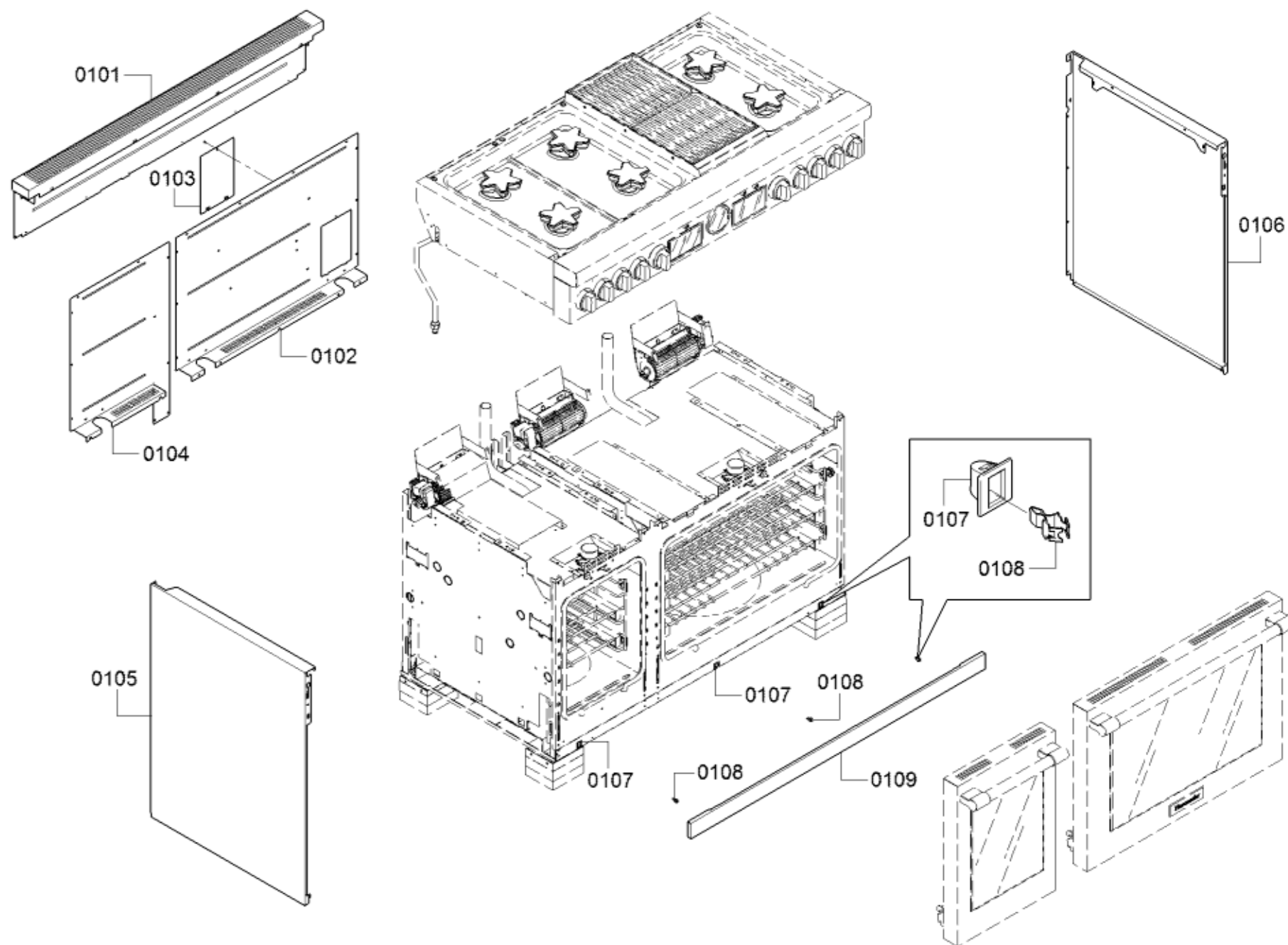
| <b>Position ID</b> | <b>Part number.</b> | <b>Replaces:</b> | <b>Description</b>    |
|--------------------|---------------------|------------------|-----------------------|
| 0501               | 11032438            |                  | Gas tap               |
| 0502               | 11032439            |                  | Gas tap               |
| 0503               | 11032863            |                  | Gas tap               |
| 0504               | 11032862            |                  | Gas tap               |
| 0505               | 11032440            |                  | Gas tap               |
| 0506               | 11032441            |                  | Gas tap               |
| 0510               | 00423093            |                  | Valve                 |
| 0512               | 10003806            |                  | Valve                 |
| 0512               | 10009155            |                  | Valve                 |
| 0513               | 20000265            |                  | Manifold              |
| 0514               | 00420807            |                  | Screw                 |
| 0514               | 10003806            |                  | Valve                 |
| 0515               | 20000140            |                  | Manifold              |
| 0516               | 20000265            |                  | Manifold              |
| 0517               | 10009569            |                  | Bracket               |
| 0522               | 10010270            |                  | Pipe connection piece |
| 0523               | 11033022            |                  | Tub complete          |
| 0524               | 00754658            |                  | Regulator-pressure    |
| 0525               | 10010200            |                  | Adapter               |
| 0526               | 11033031            |                  | Hose-inlet            |
| 0527               | 10011592            |                  | Extension for inlet   |



| <b>Position ID</b> | <b>Part number.</b> | <b>Replaces:</b> | <b>Description</b>                           |
|--------------------|---------------------|------------------|--|
| 0601               | 12024441            |                  | Frame  |
| 0602               | 10008228            |                  | Screw  |
| 0603               | 00634163            |                  | Clip   |
| 0604               | 10010298            |                  | Washer                                       |
| 0605               | 10008224            |                  | Screw  |
| 0606               | 00145749            |                  | Grill grid                                   |
| 0607               | 11030956            |                  | Heating element                              |
| 0608               | 10008210            |                  | Screw  |
| 0609               | 11030067            |                  | Grill accessories                            |
| 0610               | 11030015            |                  | Tray for Ceramic Briquettes (for PABRICKBKW) |
| 0611               | 00098049            |                  | Salver                                       |
| 0612               | 12004405            |                  | Temperature sensor                           |
| 0613               | 10008210            |                  | Screw  |
| 0614               | 00634165            |                  | Bracket                                      |
| 0615               | 10008210            |                  | Screw  |
| 0616               | 12026866            |                  | Cable harness                                |

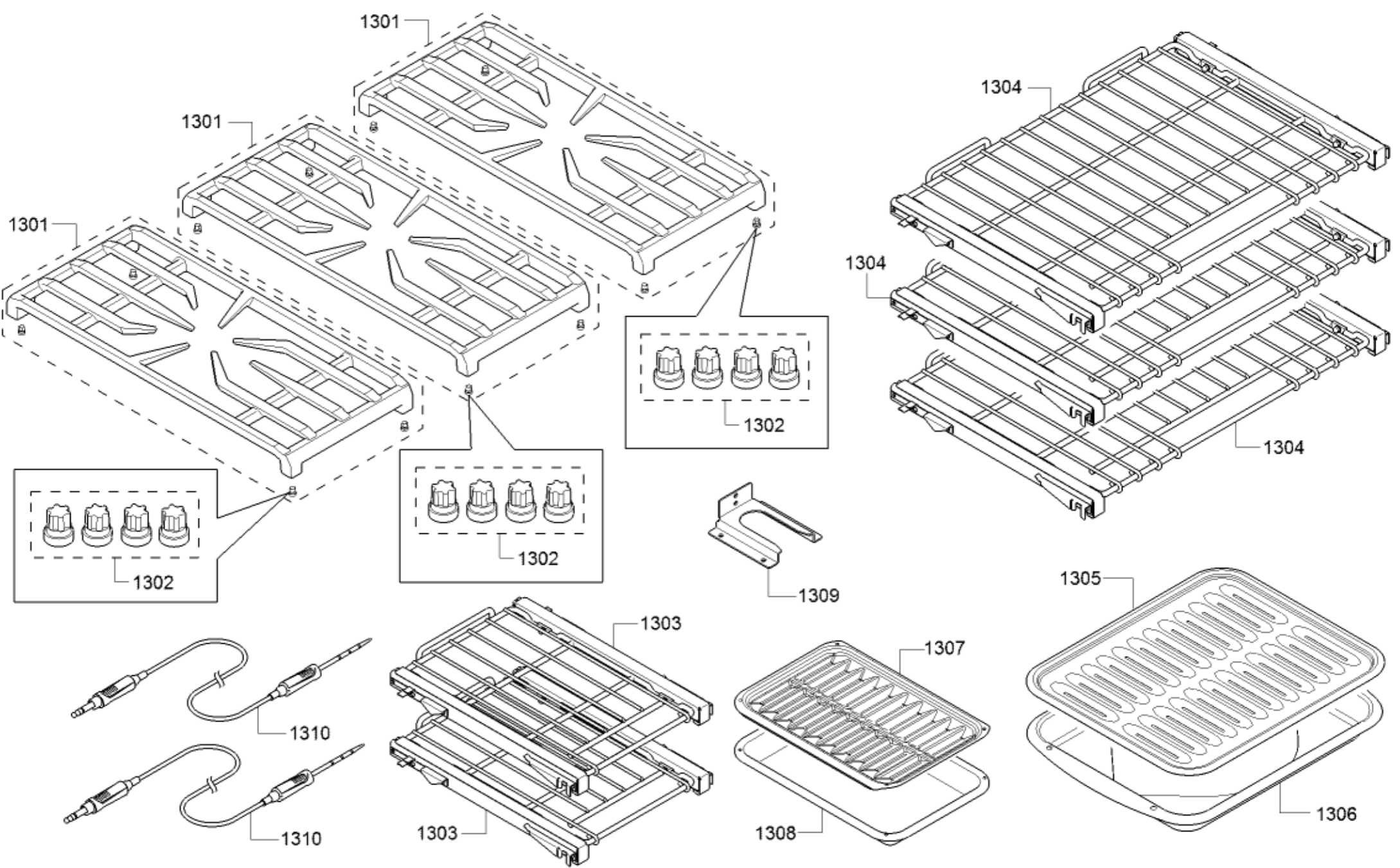


0199

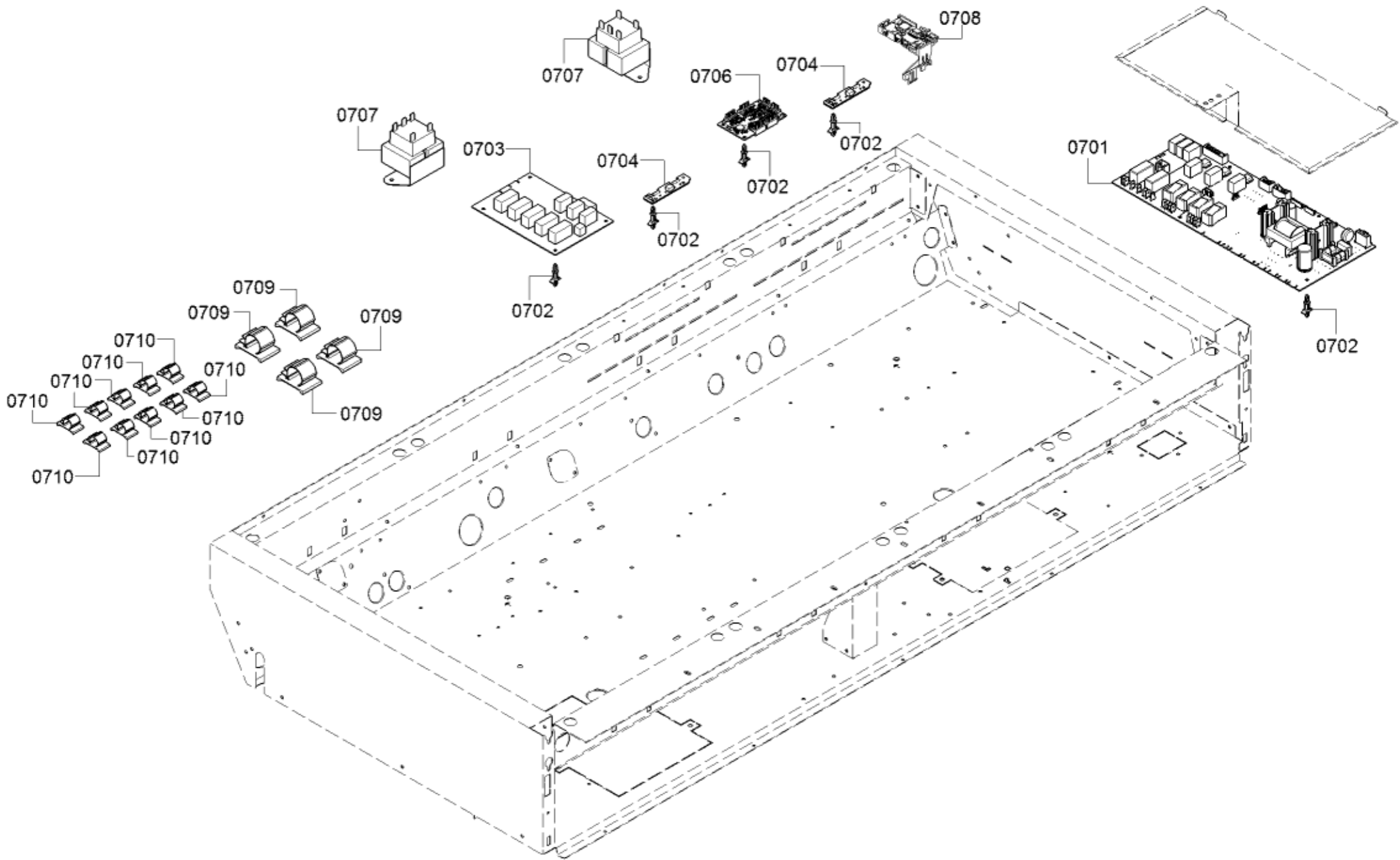




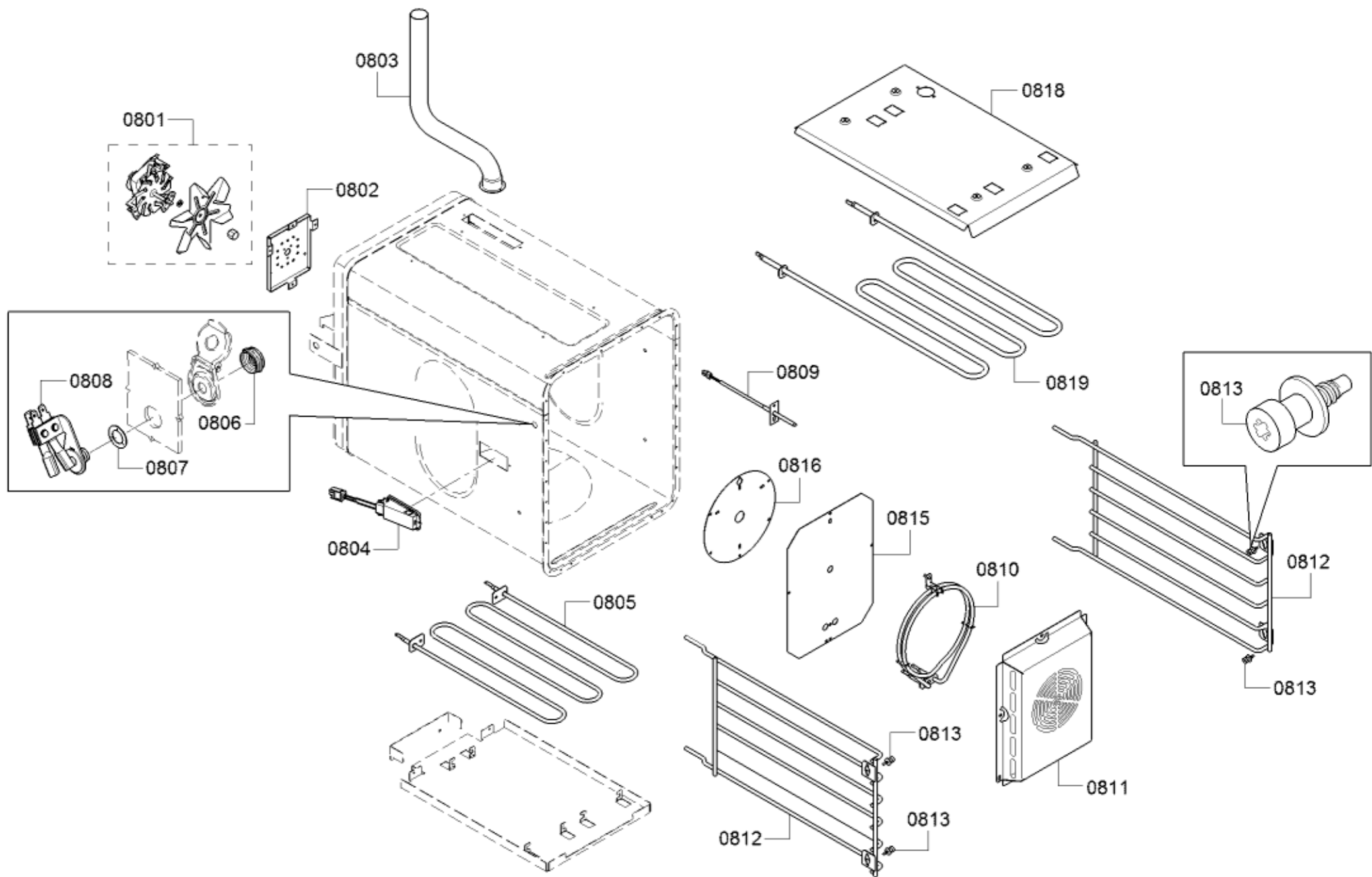
| <b>Position ID</b> | <b>Part number.</b> | <b>Replaces:</b> | <b>Description</b> |
|--------------------|---------------------|------------------|--------------------|
| 0101               | 00146137            |                  | Back wall panel    |
| 0102               | 23000092            |                  | Back panel         |
| 0103               | 00649417            | 00752161         | Cover              |
| 0104               | 12028699            |                  | Back panel         |
| 0105               | 20000392            |                  | Panel side         |
| 0106               | 20000393            |                  | Panel side         |
| 0108               | 00619081            |                  | Connection piece   |
| 0109               | 12028700            |                  | Plate              |
| 0107               | 10013545            |                  | Latch              |



| <b>Position ID</b> | <b>Part number.</b> | <b>Replaces:</b> | <b>Description</b>         |
|--------------------|---------------------|------------------|----------------------------|
| 1301               | 00145306            |                  | Grill grid                 |
| 1303               | 00774615            |                  | 12" Telescopic Rack        |
| 1304               | 00774617            |                  | 36" Telescopic Rack        |
| 1305               | 11013689            |                  | Grill tray                 |
| 1306               | 00484628            | 00449757         | Tray for Broiler Pan       |
| 1307               | 00666709            |                  | Tray for Broiler Pan       |
| 1308               | 00666710            |                  | Broiler Pan                |
| 1309               | 10010207            |                  | Bracket                    |
| 1310               | 12022200            |                  | Sensor                     |
| 1302               | 00637940            |                  | Grate Foot Replacement Kit |



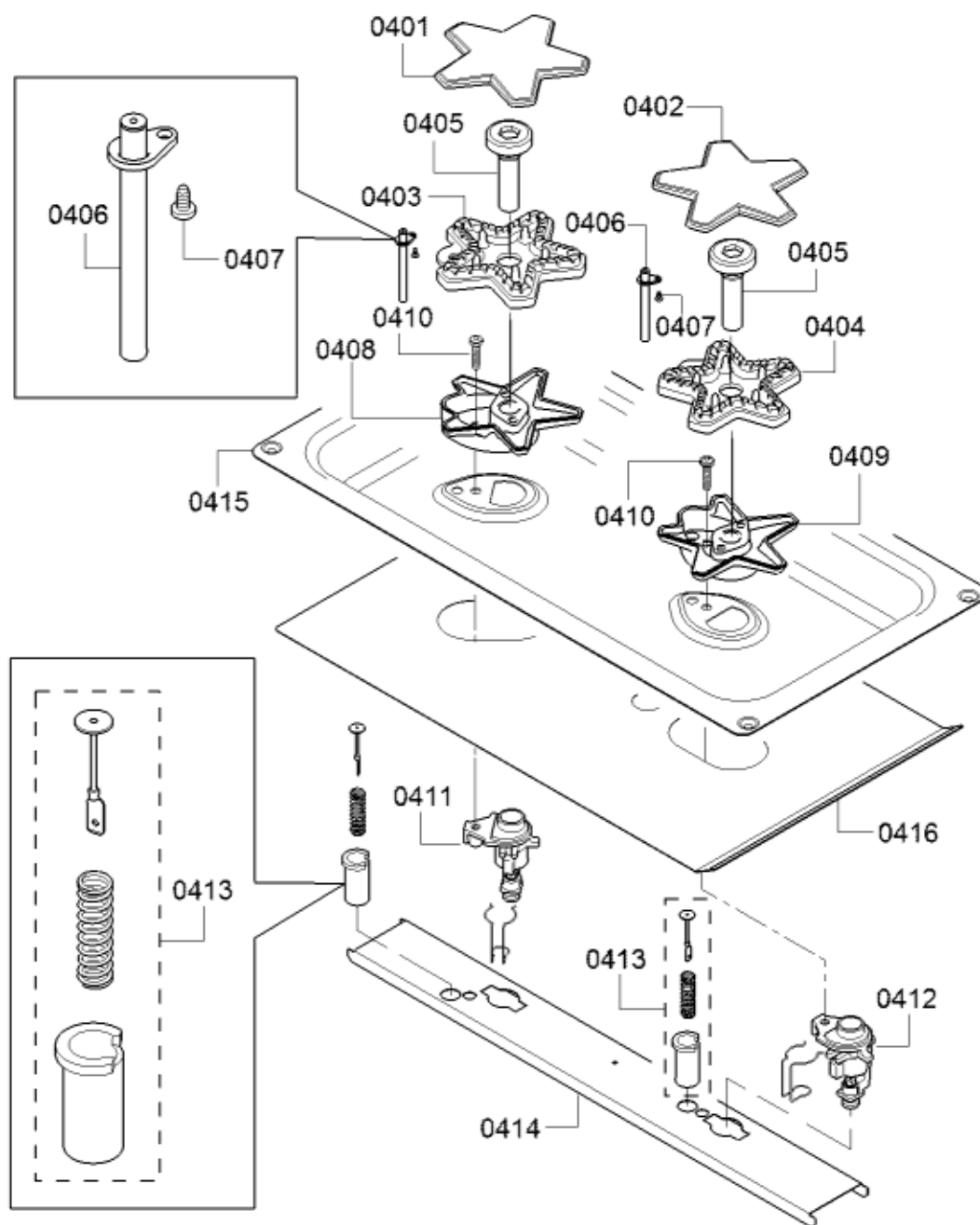
| <b>Position ID</b> | <b>Part number.</b> | <b>Replaces:</b> | <b>Description</b>            |
|--------------------|---------------------|------------------|-------------------------------|
| 0701               | 11032521            |                  | Control module programmed     |
| 0701               | 12025831            |                  | Control module not programmed |
| 0702               | 00418283            |                  | Support                       |
| 0703               | 12024477            | 12034882         | Control module                |
| 0704               | 12028088            |                  | Cable harness                 |
| 0706               | 10005470            |                  | Control module                |
| 0707               | 00489194            |                  | Transformer                   |
| 0708               | 12028138            |                  | Limiter-temperature           |
| 0709               | 10008933            |                  | Clip                          |
| 0710               | 10010202            |                  | Clip                          |
| 0711               | 10008207            |                  | Ignition cable                |
| 0712               | 12024415            |                  | Ignition cable                |
| 0713               | 12028088            |                  | Cable harness                 |
| 0714               | 12024414            |                  | Cable harness                 |
| 0715               | 12026845            |                  | Cable harness                 |
| 0716               | 12028138            |                  | Limiter-temperature           |
| 0717               | 12026925            |                  | Cable harness                 |
| 0720               | 12026870            |                  | Cable harness                 |
| 0721               | 12028509            |                  | Cable harness                 |
| 0722               | 12024436            |                  | Cable harness                 |
| 0723               | 11032801            |                  | Cable harness                 |
| 0724               | 12028086            |                  | Adapter                       |
| 0725               | 12026872            |                  | Cable harness                 |
| 0726               | 12028087            |                  | Cable harness                 |
| 0727               | 12028082            |                  | Cable harness                 |
| 0728               | 12026869            |                  | Cable harness                 |
| 0730               | 12026846            |                  | Cable harness                 |



| <b>Position ID</b> | <b>Part number.</b> | <b>Replaces:</b> | <b>Description</b>    |
|--------------------|---------------------|------------------|-----------------------|
| 0801               | 00497756            |                  | Motor                 |
| 0802               | 00489178            |                  | Bracket               |
| 0804               | 10007424            |                  | Lamp                  |
| 0805               | 00709469            |                  | Heating element       |
| 0806               | 10010225            |                  | Nut                   |
| 0808               | 10008183            |                  | Socket                |
| 0809               | 00627375            |                  | Temperature sensor    |
| 0810               | 00750884            |                  | Heater-ring           |
| 0811               | 12028706            |                  | Cover                 |
| 0812               | 11032546            |                  | Support               |
| 0813               | 10011396            |                  | Bolt                  |
| 0814               | 12028136            |                  | Adapter               |
| 0815               | 00706442            |                  | Reflector             |
| 0818               | 00708175            |                  | Plate                 |
| 0819               | 11033032            |                  | Heating element       |
| 0803               | 00494383            |                  | Pipe connection piece |
| 0807               | 10010208            |                  | Washer                |
| 0816               | 00479238            |                  | Cover                 |

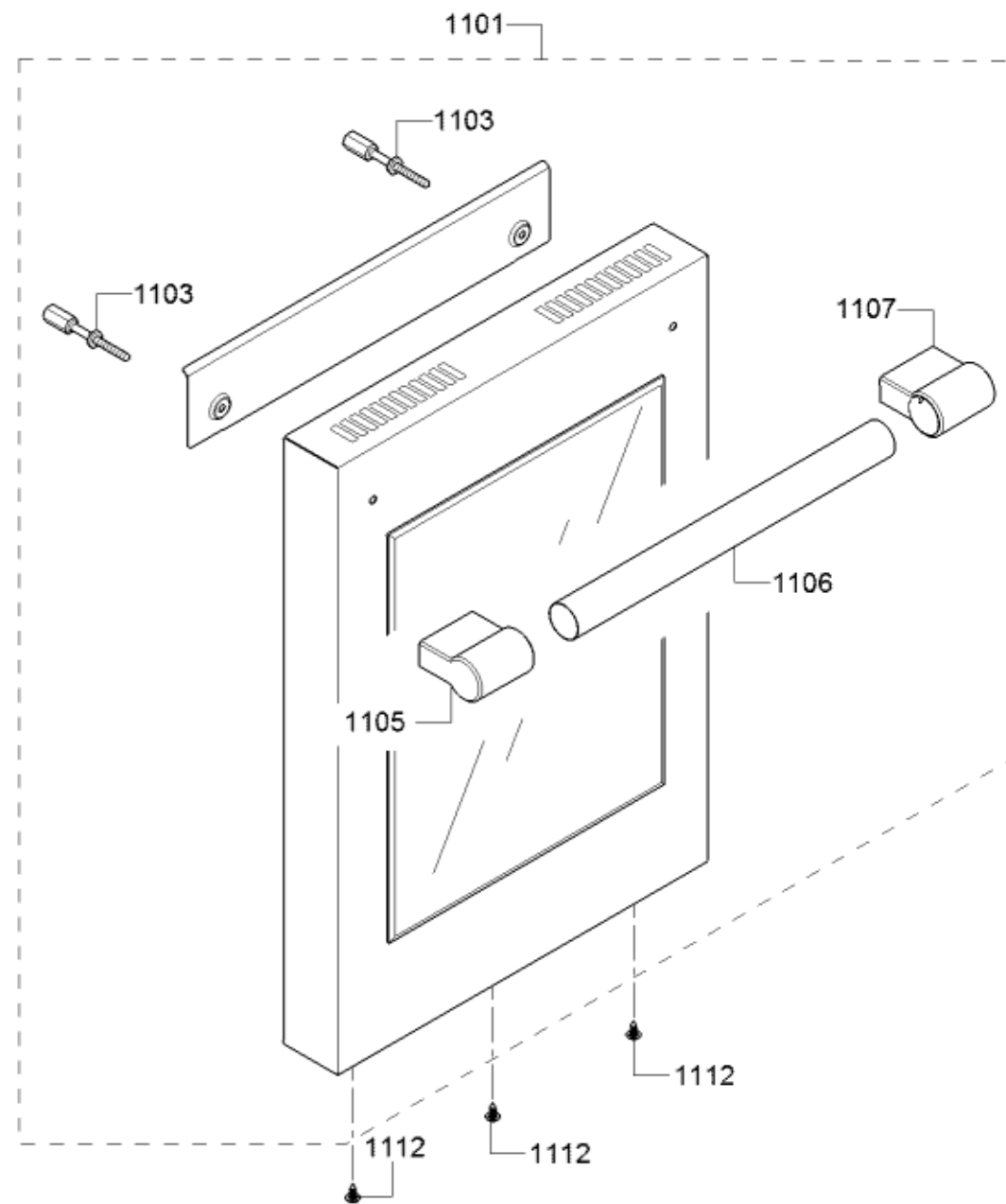
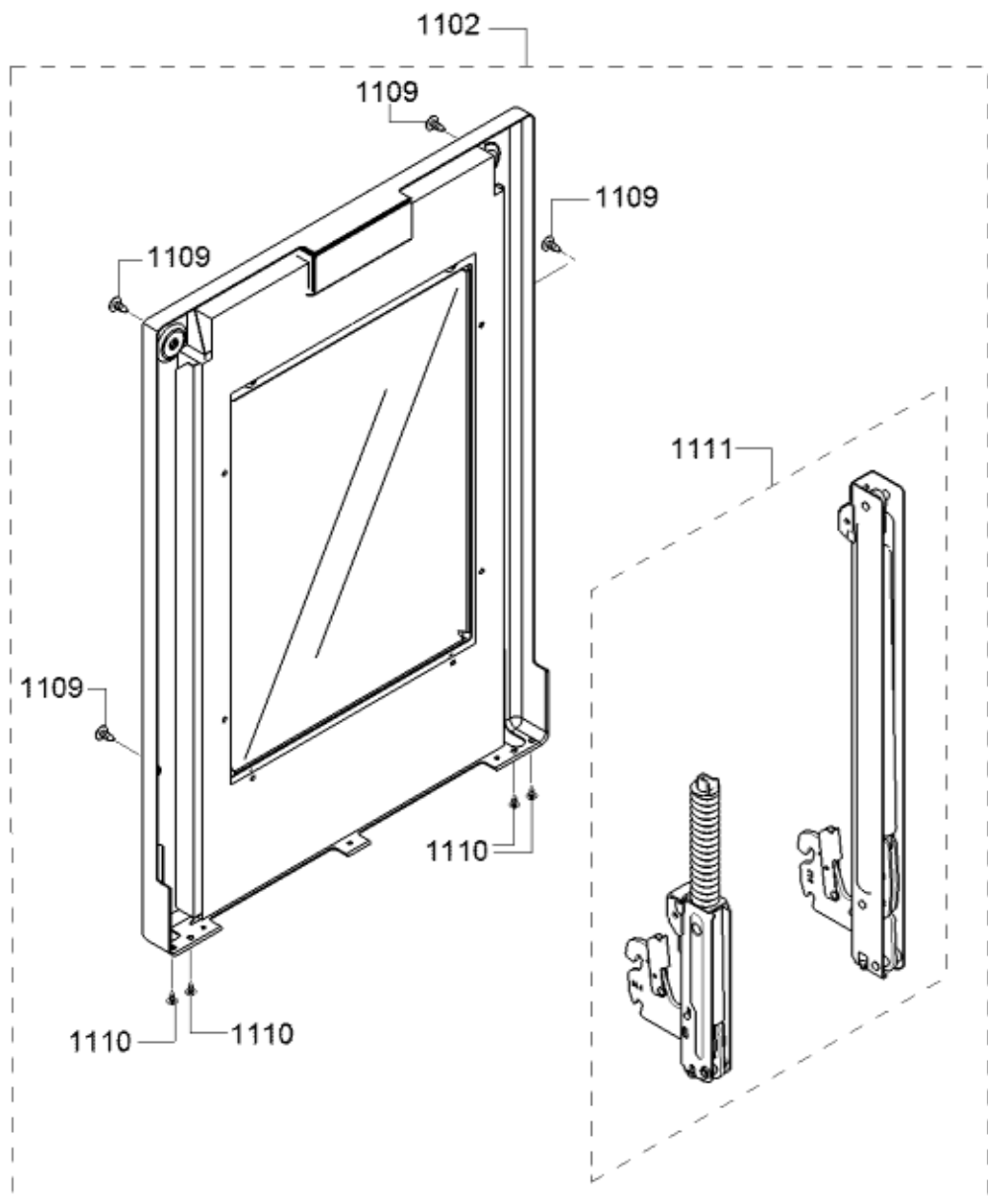


0496

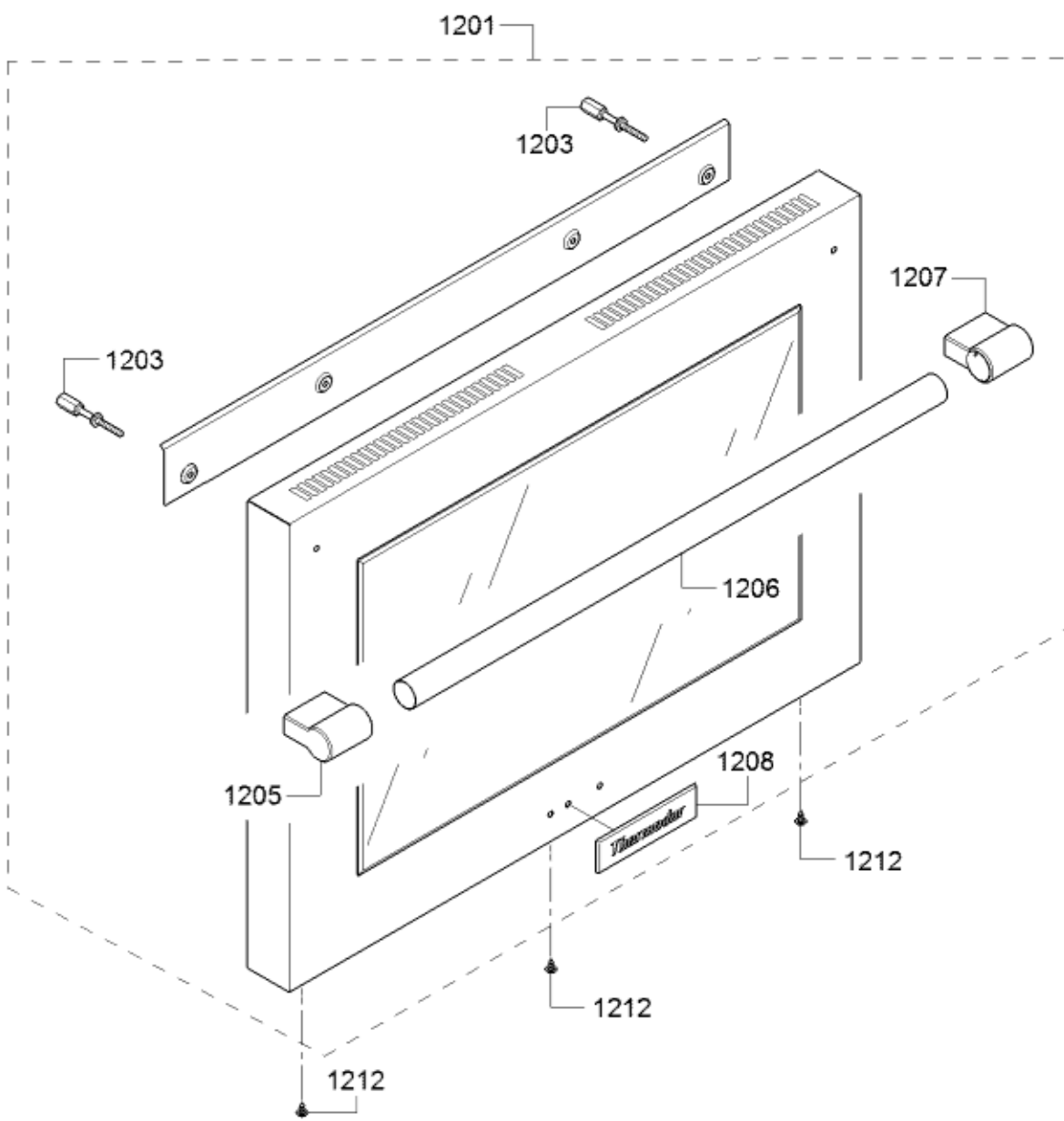
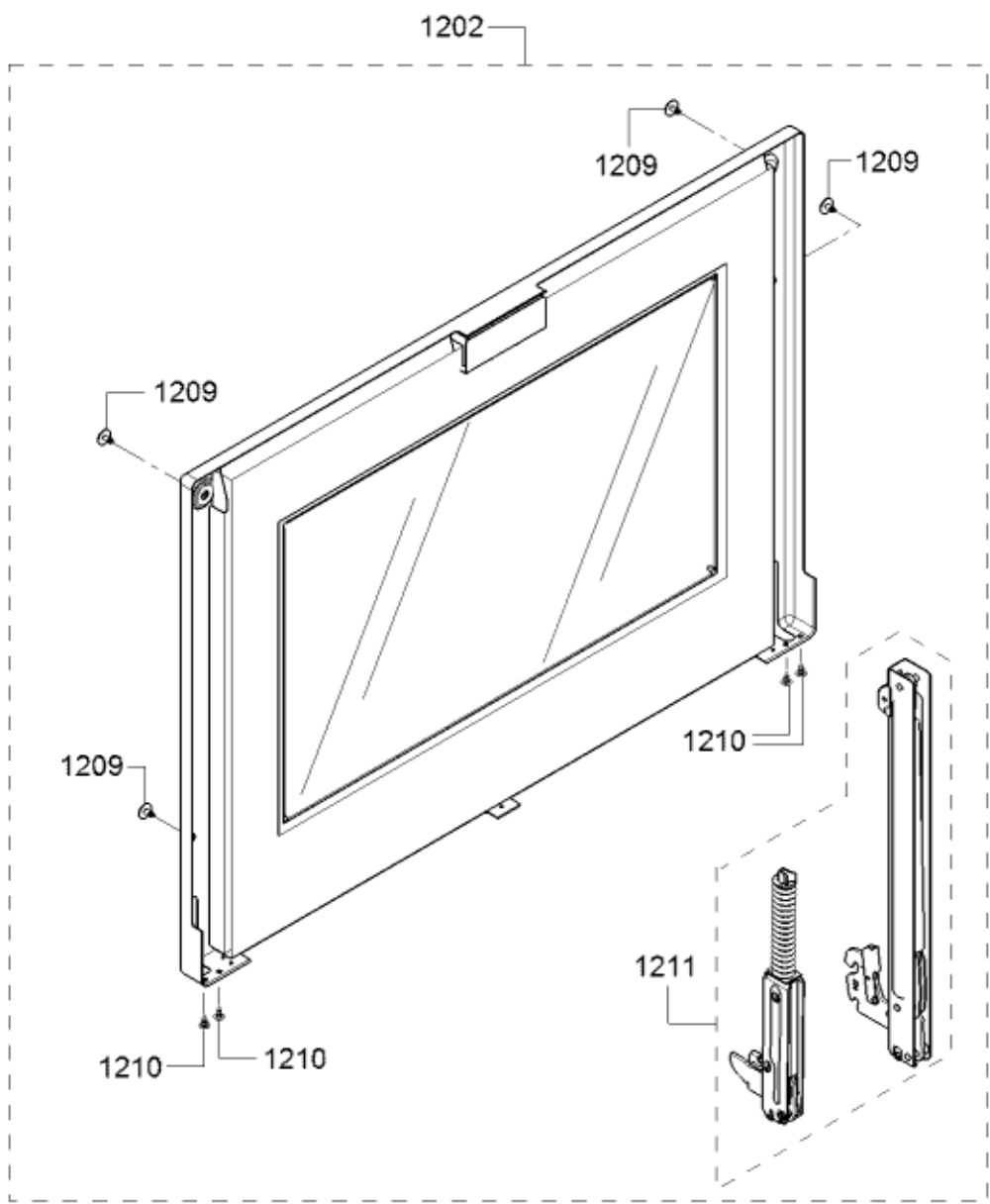




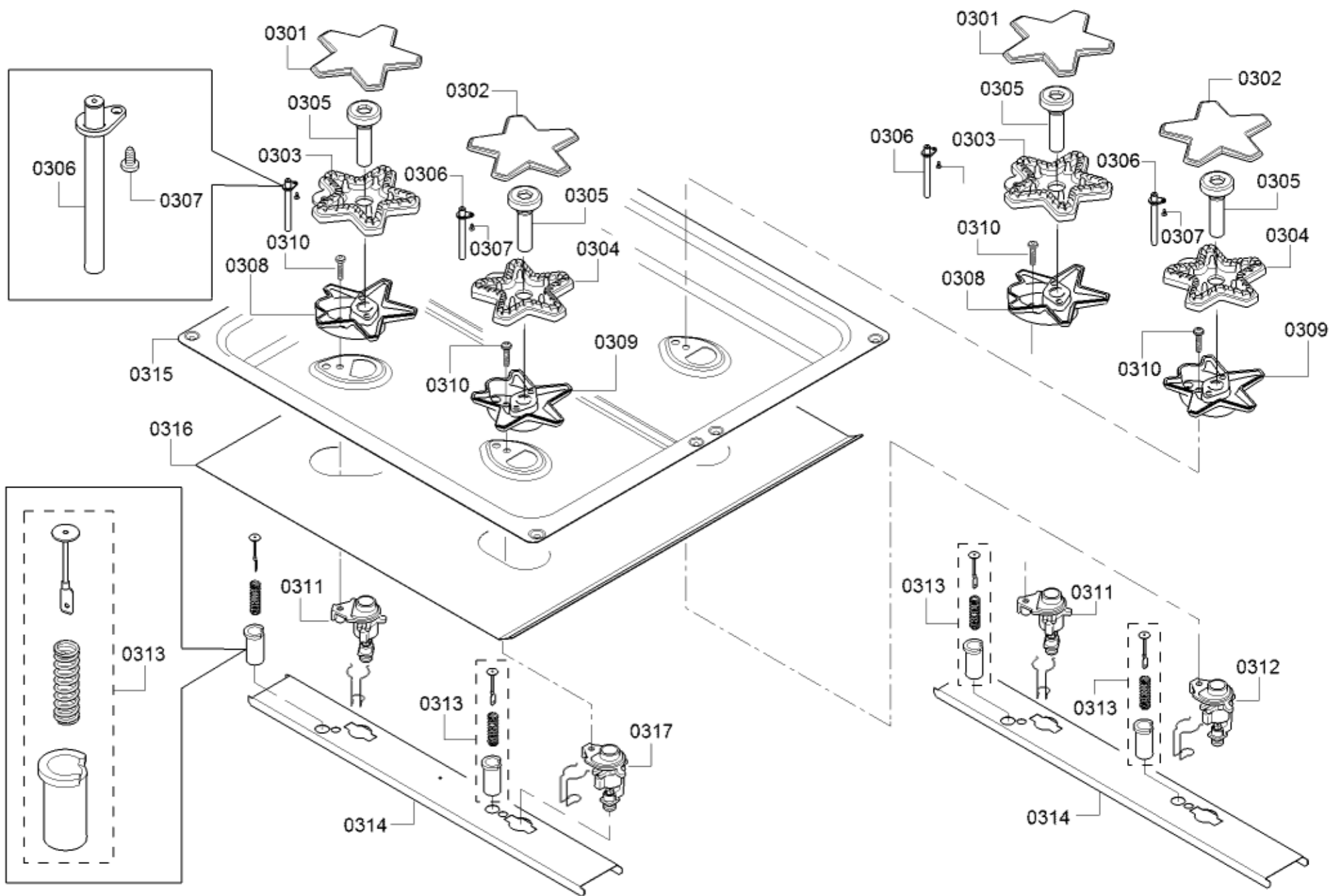
| <b>Position ID</b> | <b>Part number.</b> | <b>Replaces:</b> | <b>Description</b> |
|--------------------|---------------------|------------------|--------------------|
| 0401               | 10004490            |                  | Burner cap         |
| 0402               | 10004489            |                  | Burner cap         |
| 0403               | 10004493            |                  | Burner             |
| 0404               | 10004492            |                  | Burner             |
| 0405               | 10004495            |                  | Venturi nozzle     |
| 0406               | 10006471            |                  | Electrode          |
| 0408               | 10004498            |                  | Burner housing     |
| 0409               | 10004497            |                  | Burner housing     |
| 0411               | 10006793            |                  | Jet                |
| 0412               | 10006797            |                  | Jet                |
| 0413               | 12007259            |                  | Ignition device    |
| 0415               | 11013687            |                  | Hob top            |
| 0416               | 10008221            |                  | Heat shield        |
| 0414               | 00701902            |                  | Rail               |
| 0407               | 10008211            |                  | Screw              |
| 0410               | 10004531            |                  | Screw              |



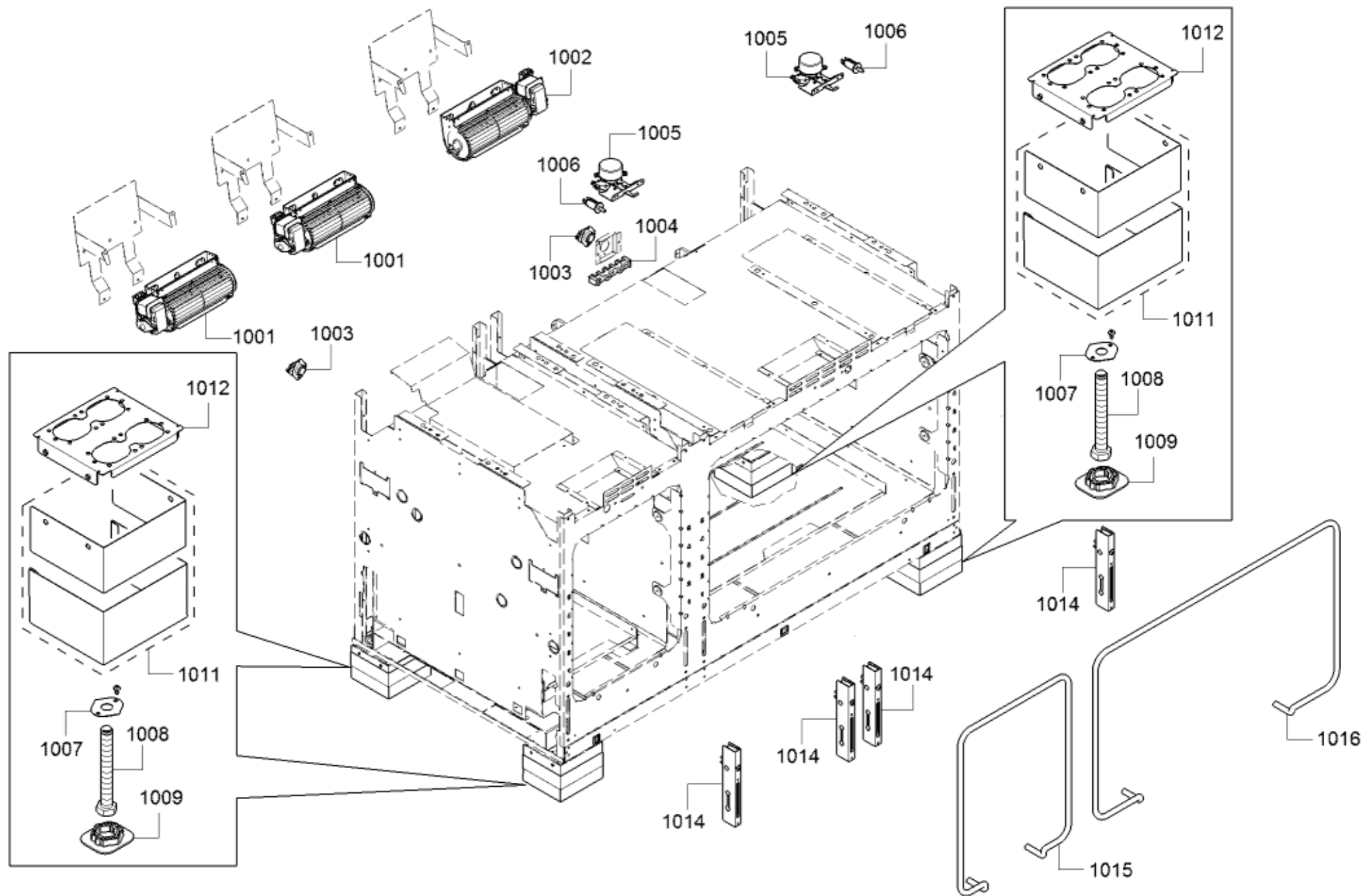
| <b>Position ID</b> | <b>Part number.</b> | <b>Replaces:</b> | <b>Description</b> |
|--------------------|---------------------|------------------|--------------------|
| 1101               | 20000149            |                  | Door-outer         |
| 1102               | 20000150            |                  | Door-inner         |
| 1103               | 10011927            |                  | Bolt               |
| 1105               | 10011397            |                  | Handle-cap shaped  |
| 1106               | 12028711            |                  | Handle-door        |
| 1107               | 10011397            |                  | Handle-cap shaped  |
| 1111               | 11032542            |                  | Hinge              |
| 1109               | 10010274            |                  | Screw              |
| 1110               | 10008228            |                  | Screw              |
| 1112               | 10011608            |                  | Screw              |



| <b>Position ID</b> | <b>Part number.</b> | <b>Replaces:</b> | <b>Description</b> |
|--------------------|---------------------|------------------|--------------------|
| 1201               | 20000151            |                  | Door-outer         |
| 1202               | 20000152            |                  | Door-inner         |
| 1203               | 10011927            |                  | Bolt               |
| 1205               | 10011397            |                  | Handle-cap shaped  |
| 1206               | 11033033            |                  | Handle-door        |
| 1207               | 10011397            |                  | Handle-cap shaped  |
| 1208               | 10010271            |                  | Plate              |
| 1211               | 11032543            |                  | Hinge              |
| 1210               | 12022200            |                  | Sensor             |
| 1209               | 10010274            |                  | Screw              |
| 1210               | 10008228            |                  | Screw              |

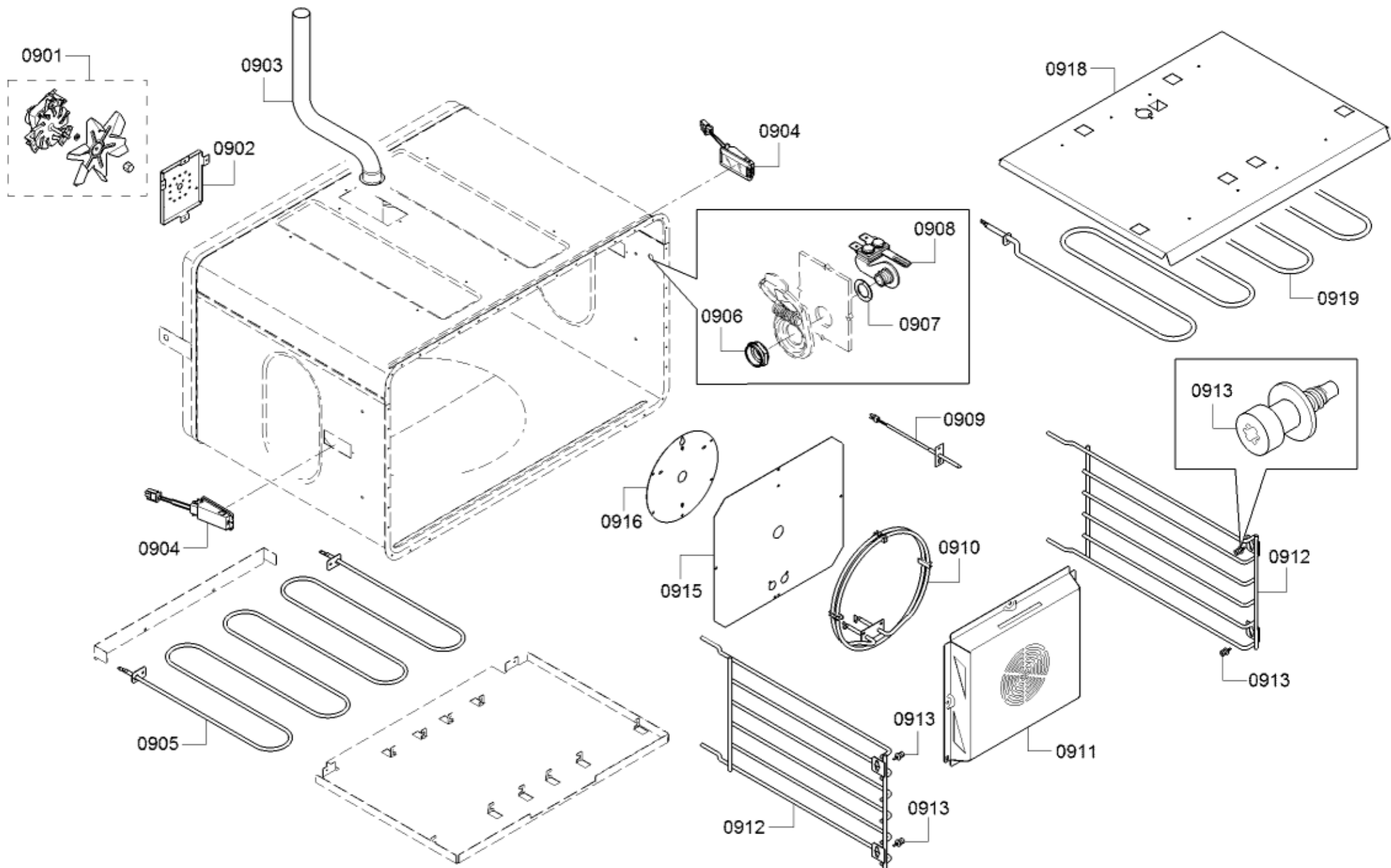


| <b>Position ID</b> | <b>Part number.</b> | <b>Replaces:</b> | <b>Description</b> |
|--------------------|---------------------|------------------|--------------------|
| 0301               | 10004490            |                  | Burner cap         |
| 0302               | 10004489            |                  | Burner cap         |
| 0303               | 10004493            |                  | Burner             |
| 0304               | 10004492            |                  | Burner             |
| 0305               | 10004495            |                  | Venturi nozzle     |
| 0306               | 10006471            |                  | Electrode          |
| 0308               | 10004498            |                  | Burner housing     |
| 0309               | 10004497            |                  | Burner housing     |
| 0311               | 10006793            |                  | Jet                |
| 0312               | 10006797            |                  | Jet                |
| 0313               | 12007259            |                  | Ignition device    |
| 0315               | 00687075            |                  | Tray               |
| 0316               | 12024446            |                  | Heat shield        |
| 0317               | 10006795            |                  | Jet                |
| 0314               | 00701902            |                  | Rail               |
| 0307               | 10008211            |                  | Screw              |
| 0310               | 10004531            |                  | Screw              |

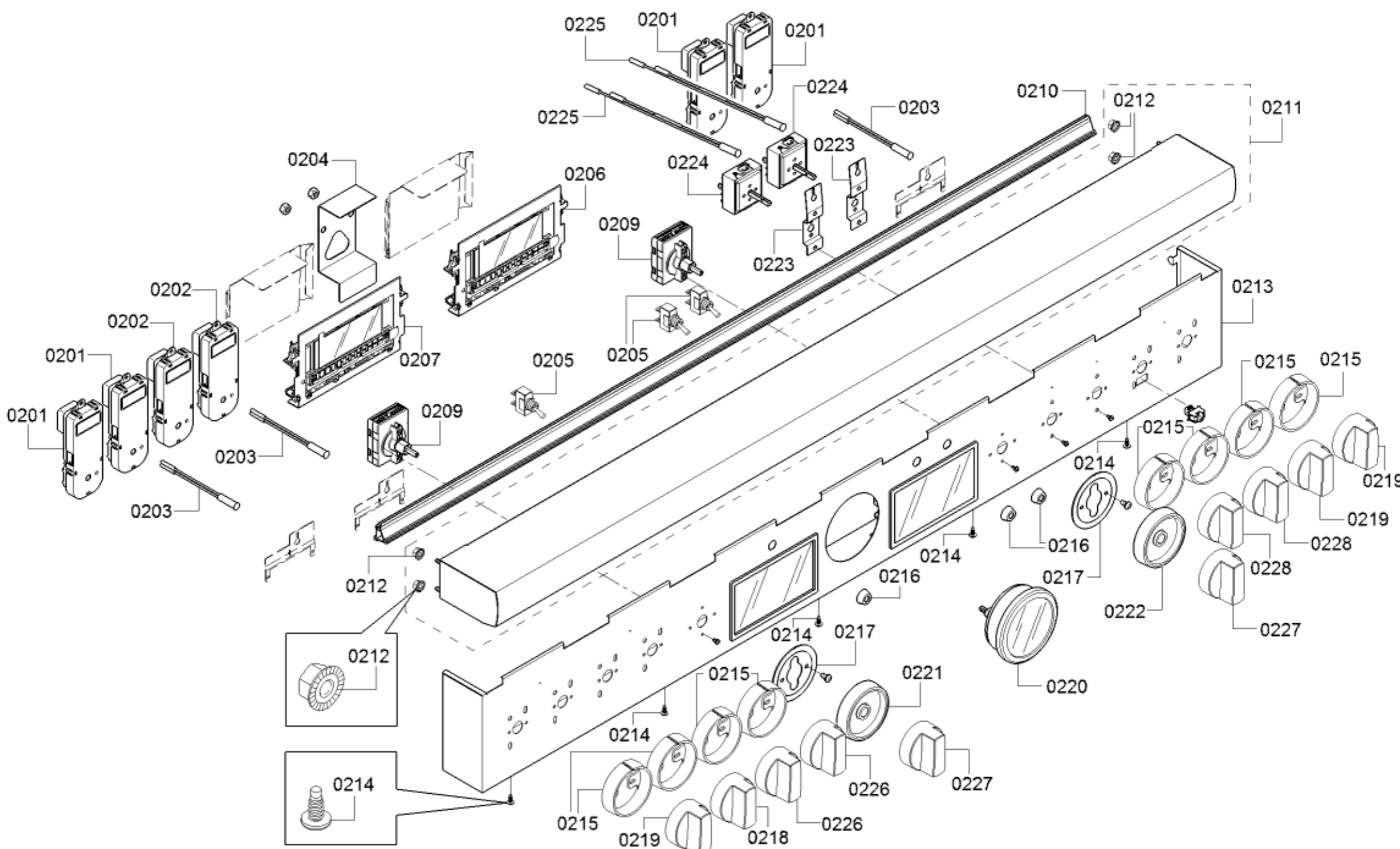




| <b>Position ID</b> | <b>Part number.</b> | <b>Replaces:</b> | <b>Description</b>  |
|--------------------|---------------------|------------------|---------------------|
| 1003               | 10011167            |                  | Limiter-temperature |
| 1004               | 00628372            |                  | Terminal            |
| 1005               | 00651285            |                  | Latch               |
| 1006               | 00618400            |                  | Switch-door         |
| 1007               | 10001186            |                  | Plate               |
| 1008               | 12013593            |                  | Bolt                |
| 1012               | 12028141            |                  | Cover               |
| 1015               | 12028710            |                  | Seal-door           |
| 1016               | 20000145            |                  | Seal-door           |
| 1030               | 00648862            |                  | Cable harness       |
| 1009               | 10001351            |                  | Foot                |
| 1014               | 00649416            |                  | Hinge-plate         |
| 1011               | 10014059            |                  | Cover               |
| 1001               | 10020211            |                  | Fan motor           |
| 1002               | 10020212            |                  | Fan motor           |
| 1099               | 12030965            |                  | Repair-set          |



| <b>Position ID</b> | <b>Part number.</b> | <b>Replaces:</b> | <b>Description</b>    |
|--------------------|---------------------|------------------|-----------------------|
| 0901               | 00497756            |                  | Motor                 |
| 0902               | 00489178            |                  | Bracket               |
| 0903               | 00494383            |                  | Pipe connection piece |
| 0904               | 10007424            |                  | Lamp                  |
| 0905               | 00709468            |                  | Heating element       |
| 0906               | 10010225            |                  | Nut                   |
| 0908               | 10008183            |                  | Socket                |
| 0909               | 00627375            |                  | Temperature sensor    |
| 0910               | 00640401            |                  | Heating element       |
| 0911               | 20000143            |                  | Cover                 |
| 0912               | 11032546            |                  | Support               |
| 0913               | 10011396            |                  | Bolt                  |
| 0914               | 12028136            |                  | Adapter               |
| 0915               | 00706444            |                  | Cover                 |
| 0916               | 00479238            |                  | Cover                 |
| 0918               | 00687604            |                  | Plate                 |
| 0919               | 00431908            |                  | Broil Element         |
| 0907               | 10010208            |                  | Washer                |



| <b>Position ID</b> | <b>Part number.</b> | <b>Replaces:</b> | <b>Description</b>            |
|--------------------|---------------------|------------------|-------------------------------|
| 0201               | 12024418            |                  | Module-relay                  |
| 0202               | 12024417            |                  | Module-relay                  |
| 0203               | 00617931            |                  | Display                       |
| 0204               | 11032519            |                  | Bracket                       |
| 0205               | 00609115            |                  | Switch                        |
| 0206               | 11032495            |                  | Display module not programmed |
| 0207               | 11032497            |                  | Display module not programmed |
| 0207               | 11032504            |                  | Display module programmed     |
| 0209               | 10010232            |                  | Encoder                       |
| 0210               | 11033021            |                  | Light bar                     |
| 0211               | 20000043            | 23000468         | Support                       |
| 0213               | 20000030            |                  | Panel-facia                   |
| 0214               | 10008212            |                  | Screw                         |
| 0215               | 10008201            |                  | Ring                          |
| 0216               | 00418122            |                  | Ring                          |
| 0217               | 10010231            |                  | Encoder                       |
| 0218               | 10011598            |                  | Knob                          |
| 0219               | 10008199            |                  | Knob                          |
| 0221               | 10011596            |                  | Knob                          |
| 0222               | 10010228            |                  | Ring                          |
| 0223               | 10008226            |                  | Bracket                       |
| 0224               | 00629049            |                  | Energy regulator              |
| 0225               | 00617886            |                  | Display                       |
| 0226               | 10008200            |                  | Knob                          |
| 0227               | 10010230            |                  | Knob                          |
| 0228               | 10008225            |                  | Knob                          |
| 0230               | 12026865            |                  | Cable harness                 |

|      |          |  |                           |
|------|----------|--|---------------------------|
| 0206 | 12028852 |  | Display module programmed |
| 0212 | 00623615 |  | Nut                       |
| 0220 | 12034239 |  | Display-temperature       |