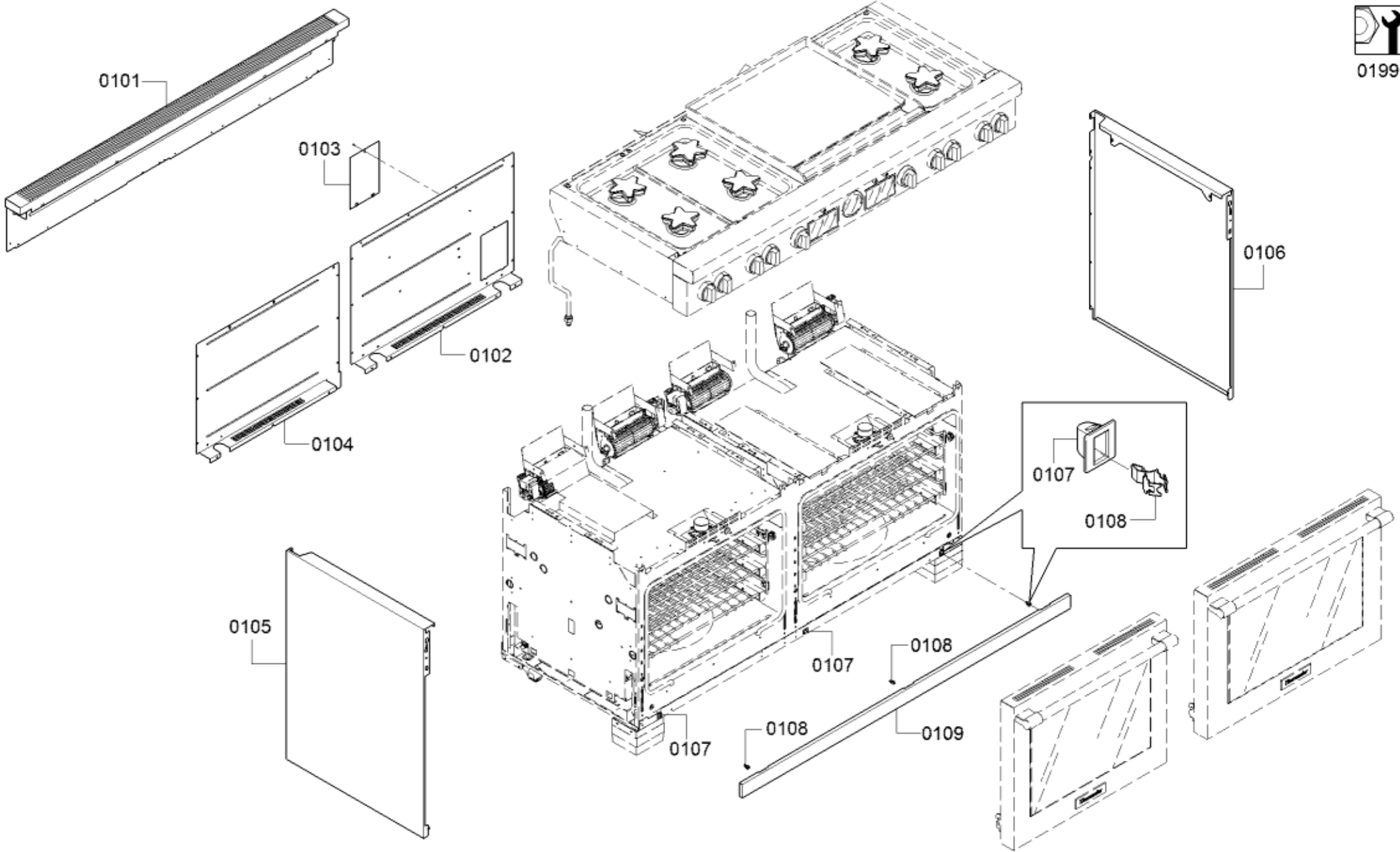
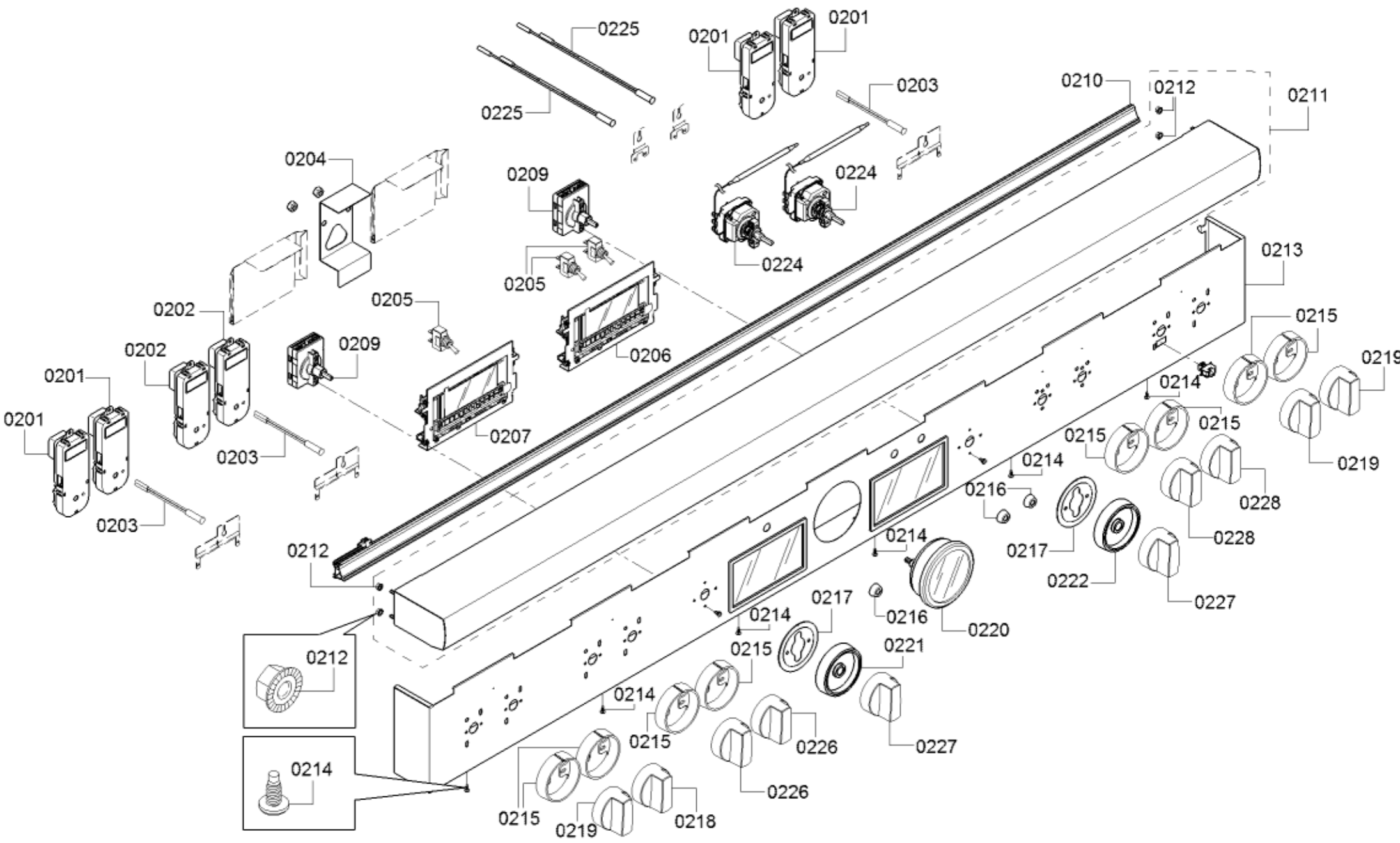




0199



| Position ID | Part number. | Replaces: | Description |
|--------------------|---------------------|------------------|--------------------|
| 0101 | 00146138 | | Back wall panel |
| 0102 | 23000092 | | Back panel |
| 0103 | 00649417 | 00752161 | Cover |
| 0105 | 20000137 | | Panel side |
| 0106 | 20000138 | | Panel side |
| 0107 | 00619081 | | Connection piece |
| 0108 | 10013545 | | Latch |
| 0109 | 20000142 | | Plate |
| 0104 | 10020374 | | Back panel |

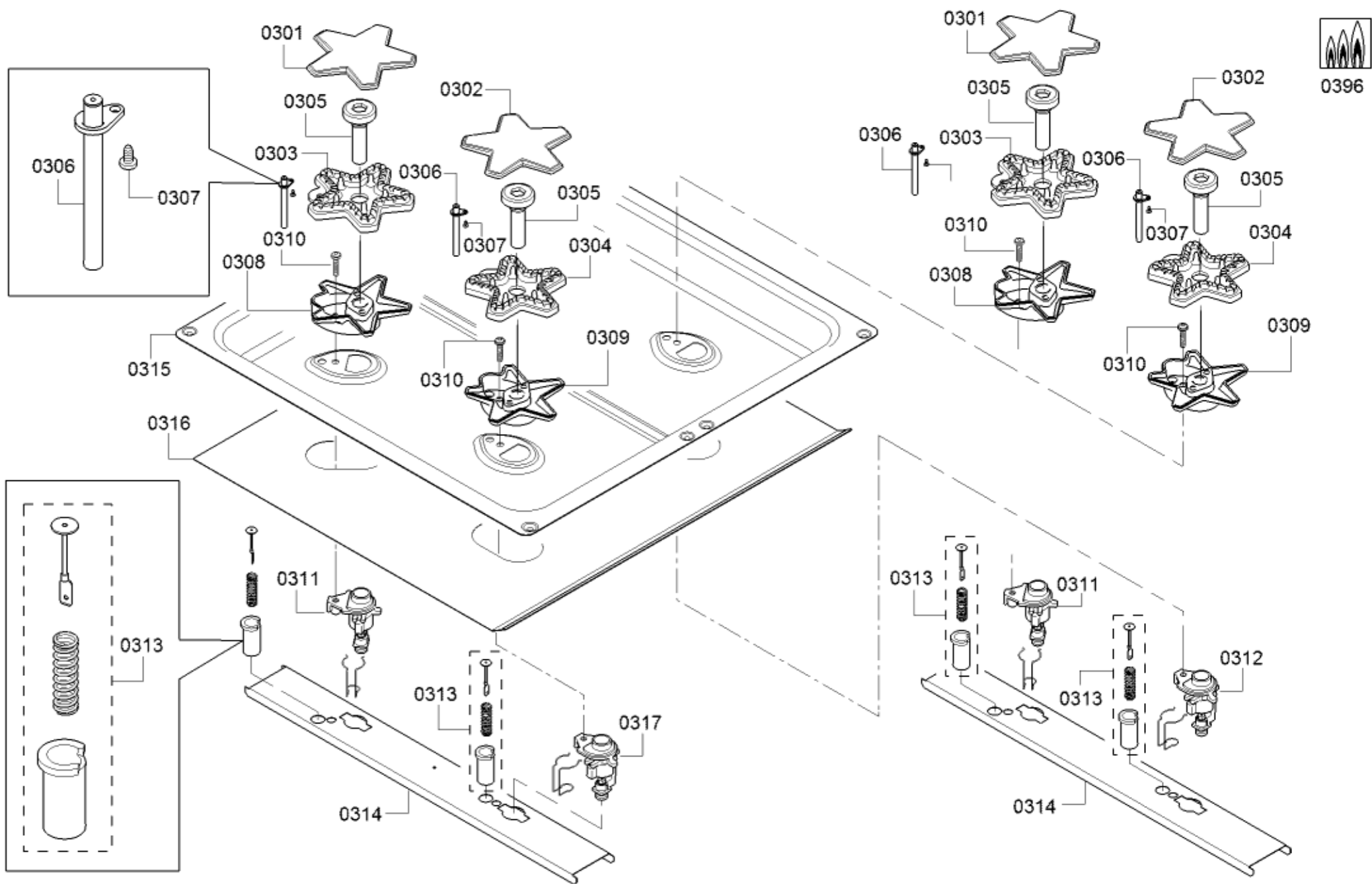


| Position ID | Part number. | Replaces: | Description |
|--------------------|---------------------|------------------|-------------------------------|
| 0201 | 12024418 | | Module-relay |
| 0202 | 12024417 | | Module-relay |
| 0203 | 00617931 | | Display |
| 0204 | 11032519 | | Bracket |
| 0205 | 00609115 | | Switch |
| 0206 | 11032495 | | Display module not programmed |
| 0206 | 12028863 | | Display module programmed |
| 0207 | 11032497 | | Display module not programmed |
| 0207 | 11032508 | | Display module programmed |
| 0209 | 10010232 | | Encoder |
| 0210 | 00715274 | | LED-Light bar |
| 0211 | 23000469 | | Support |
| 0212 | 00623615 | | Nut |
| 0213 | 20000038 | | Panel-facia |
| 0214 | 10008212 | | Screw |
| 0215 | 10008201 | | Ring |
| 0216 | 00418122 | | Ring |
| 0217 | 10010231 | | Encoder |
| 0218 | 10011598 | | Knob |
| 0219 | 10008199 | | Knob |
| 0220 | 10011638 | 12034239 | Display-temperature |
| 0221 | 10011596 | | Knob |
| 0222 | 10010228 | | Ring |
| 0224 | 00623921 | | Regulator-temperature |
| 0225 | 00617886 | | Display |
| 0226 | 10008200 | | Knob |
| 0227 | 10010230 | | Knob |

0228

10009568

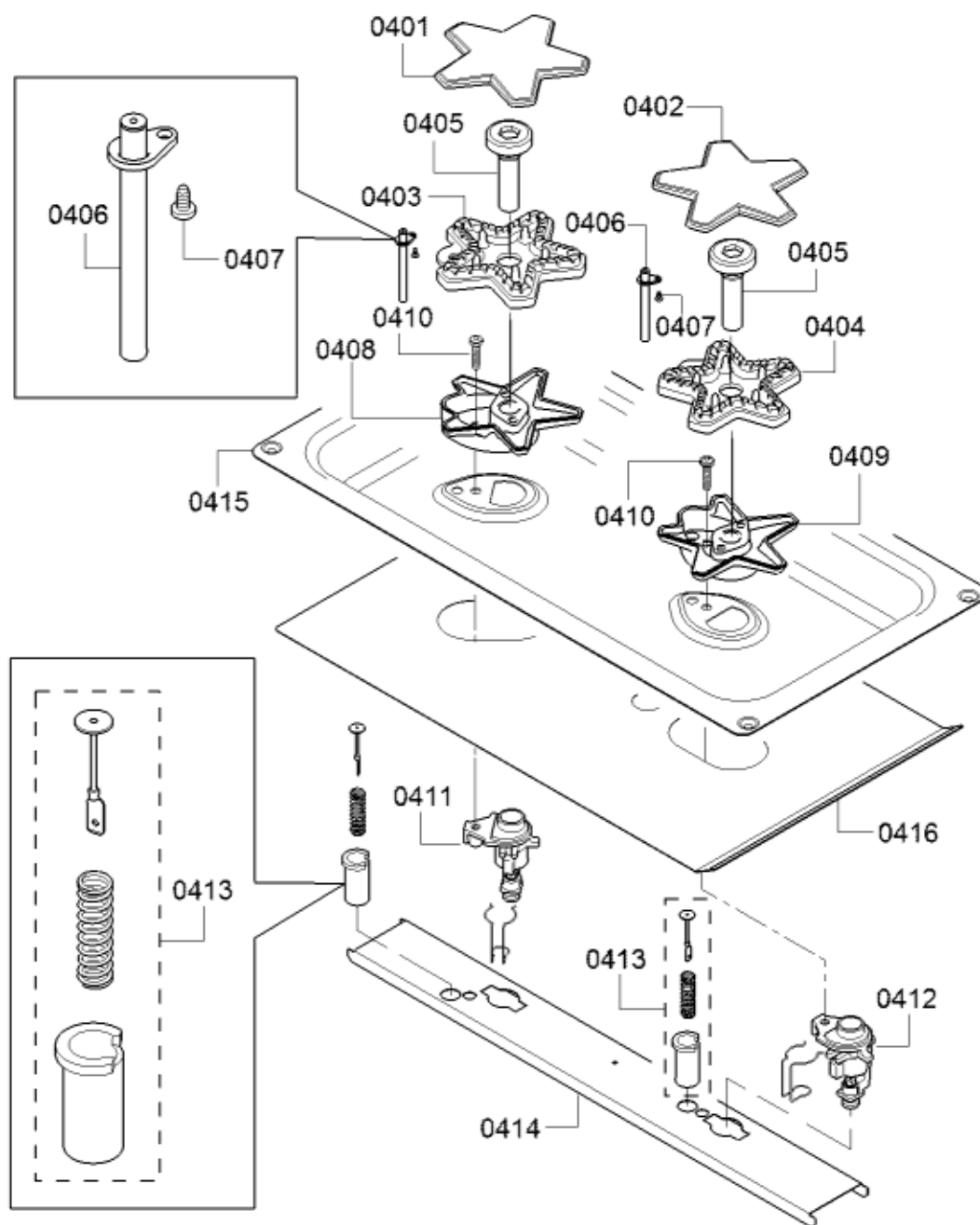
Knob



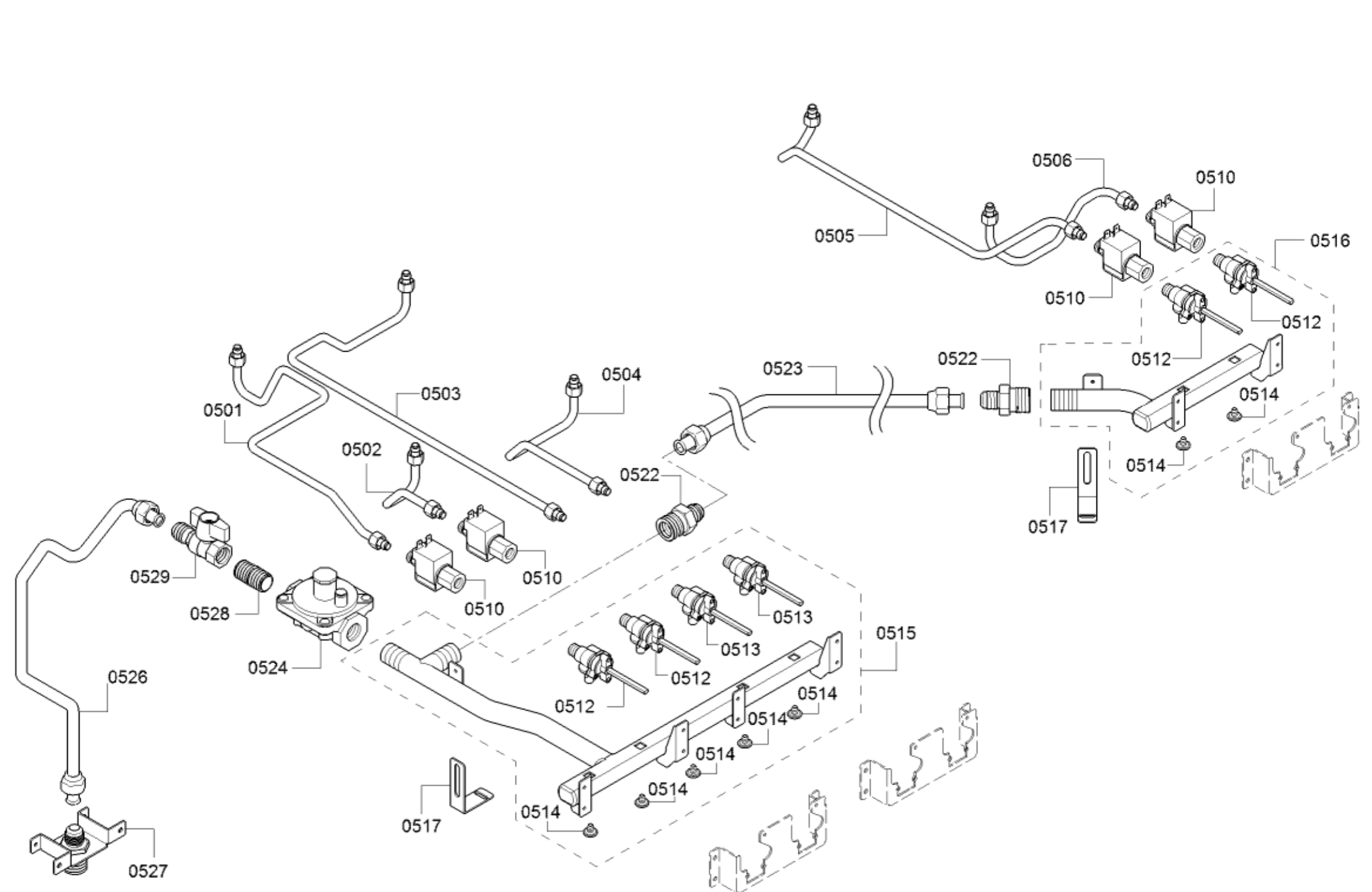
| Position ID | Part number. | Replaces: | Description |
|--------------------|---------------------|------------------|--------------------|
| 0301 | 10004490 | | Burner cap |
| 0302 | 10004489 | | Burner cap |
| 0303 | 10004493 | | Burner |
| 0304 | 10004492 | | Burner |
| 0305 | 10004495 | | Venturi nozzle |
| 0306 | 10006471 | | Electrode |
| 0308 | 10004498 | | Burner housing |
| 0309 | 10004497 | | Burner housing |
| 0311 | 10006786 | | Jet |
| 0312 | 10006797 | | Jet |
| 0313 | 12007259 | | Ignition device |
| 0314 | 00701902 | | Rail |
| 0315 | 00687075 | | Tray |
| 0316 | 12024446 | | Heat shield |
| 0317 | 10006795 | | Jet |



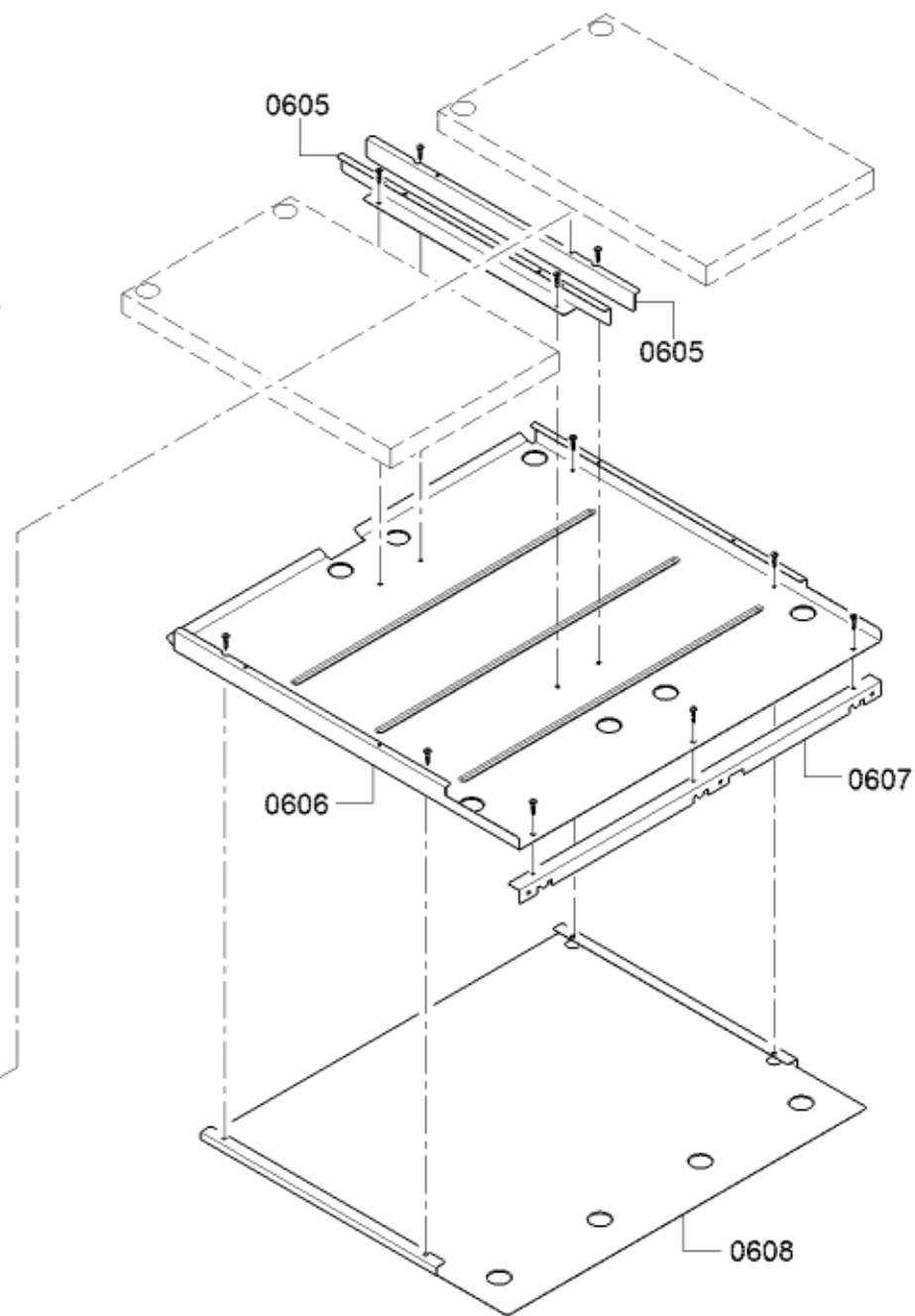
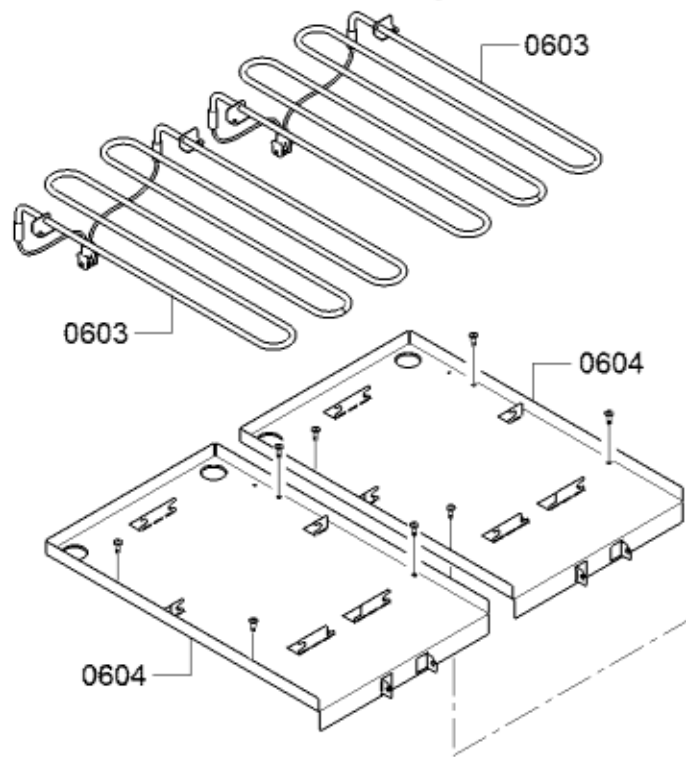
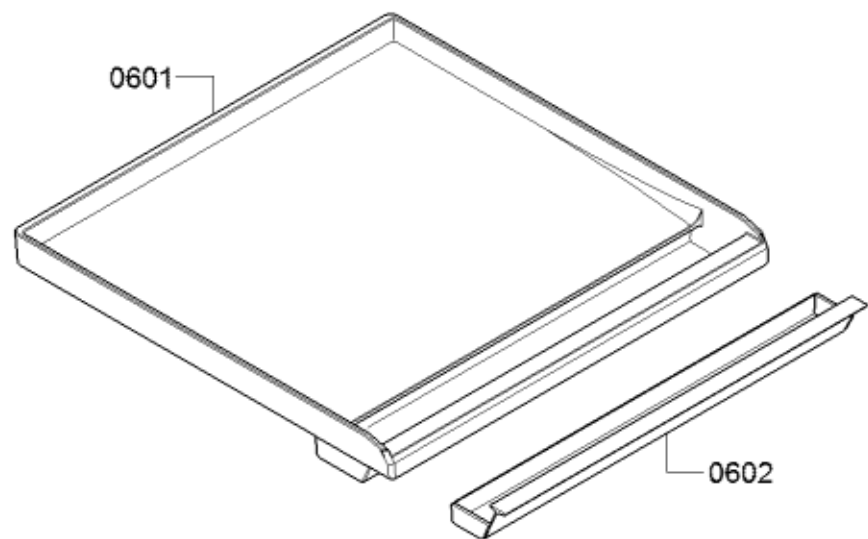
0496



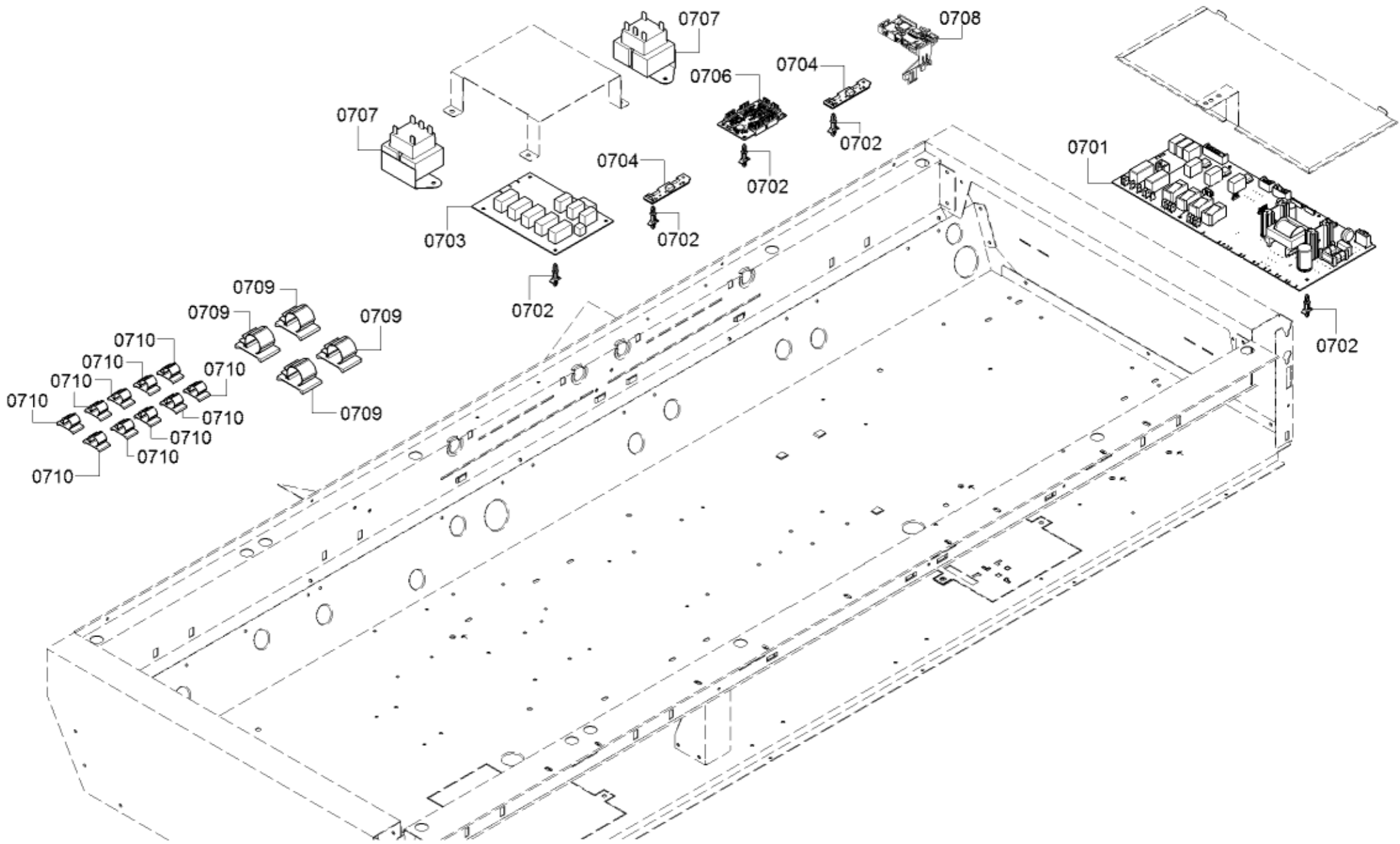
| Position ID | Part number. | Replaces: | Description |
|--------------------|---------------------|------------------|--------------------|
| 0401 | 10004490 | | Burner cap |
| 0402 | 10004489 | | Burner cap |
| 0403 | 10004493 | | Burner |
| 0404 | 10004492 | | Burner |
| 0408 | 10004498 | | Burner housing |
| 0409 | 10004497 | | Burner housing |
| 0411 | 10006786 | | Jet |
| 0412 | 10006797 | | Jet |
| 0413 | 10006793 | | Jet |
| 0415 | 10008221 | | Heat shield |
| 0416 | 11013687 | | Hob top |



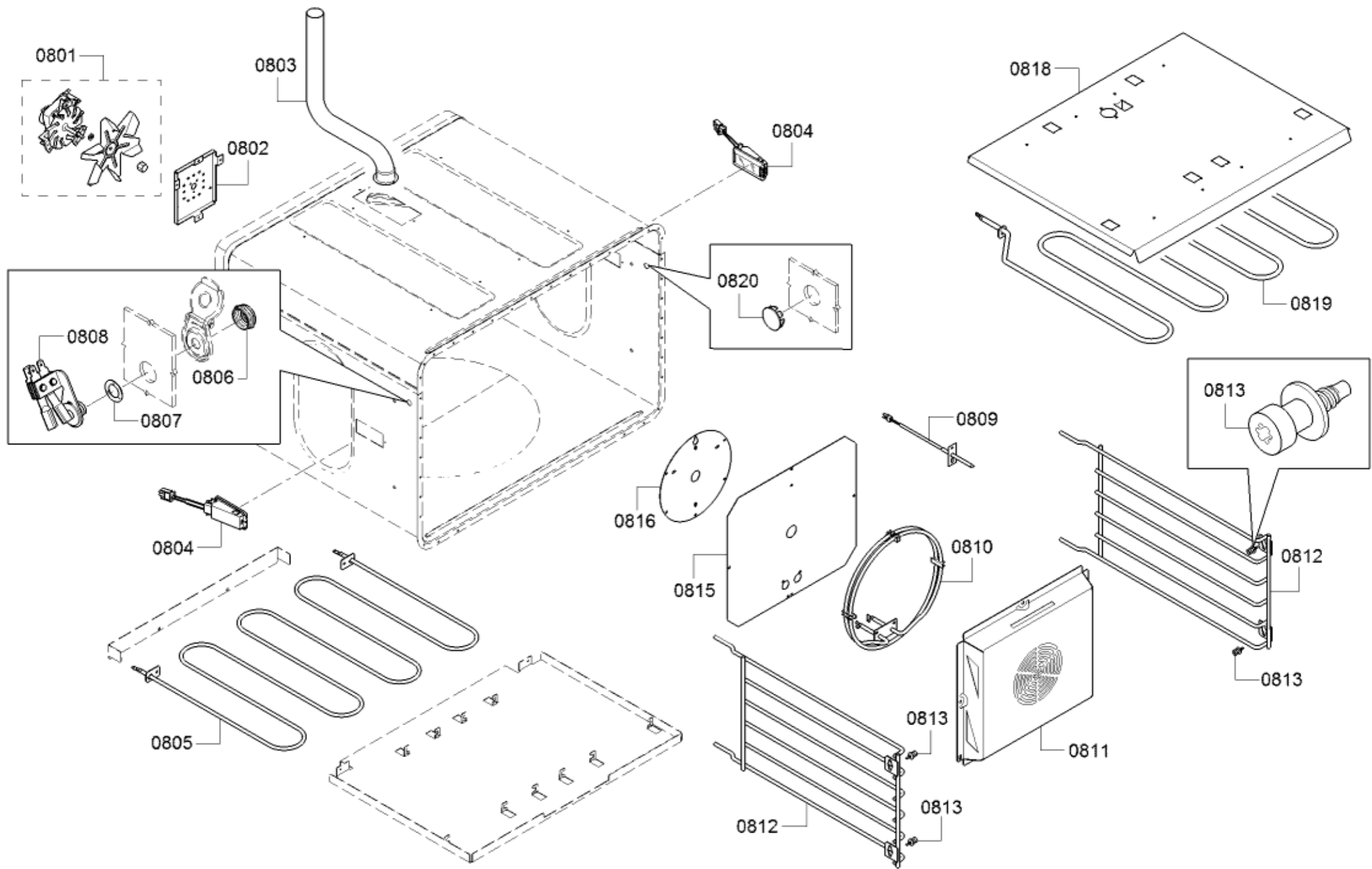
| Position ID | Part number. | Replaces: | Description |
|--------------------|---------------------|------------------|-----------------------|
| 0501 | 11032439 | | Gas tap |
| 0502 | 11032438 | | Gas tap |
| 0503 | 11032444 | | Gas tap |
| 0504 | 11032443 | | Gas tap |
| 0505 | 11032440 | | Gas tap |
| 0506 | 11032441 | | Gas tap |
| 0510 | 00423093 | | Valve |
| 0515 | 11032444 | | Gas tap |
| 0516 | 20000140 | | Manifold |
| 0517 | 10009569 | | Bracket |
| 0522 | 10010270 | | Pipe connection piece |
| 0523 | 11032445 | | Tube |
| 0524 | 00754658 | | Regulator-pressure |
| 0526 | 11032442 | | Tube |
| 0527 | 10011592 | | Extension for inlet |
| 0528 | 10011560 | | Connection piece |
| 0529 | 10011591 | | Valve |



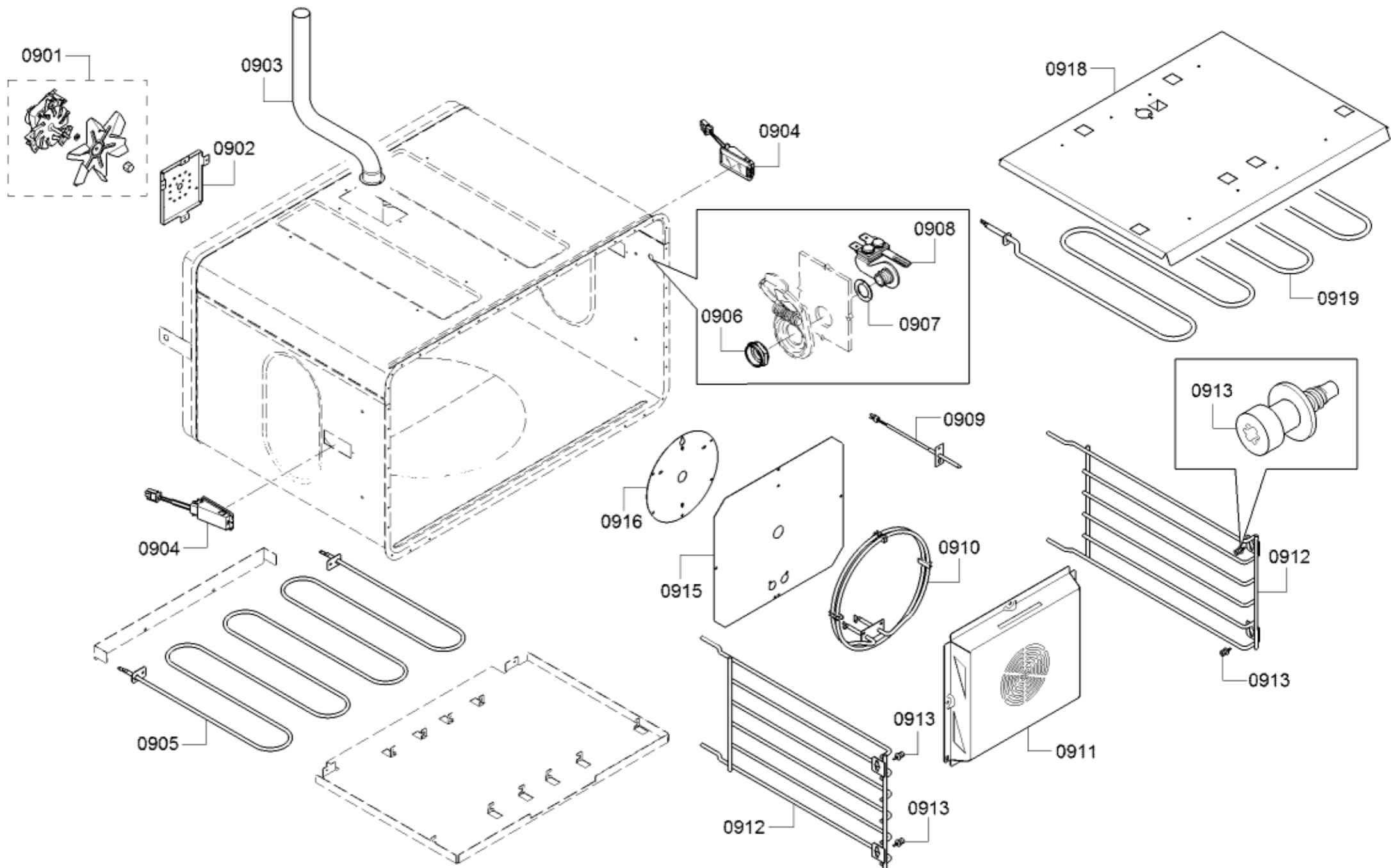
| Position ID | Part number. | Replaces: | Description |
|--------------------|---------------------|------------------|---------------------|
| 0601 | 00145818 | | Grill plate smooth |
| 0602 | 11013686 | | Tray |
| 0603 | 00445588 | | Heating element |
| 0604 | 12028080 | | Tray |
| 0605 | 00145856 | | Retaining plate |
| 0606 | 00655590 | | Safety pan retainer |
| 0607 | 12013517 | | Spacer |
| 0610 | 12028084 | | Cable harness |



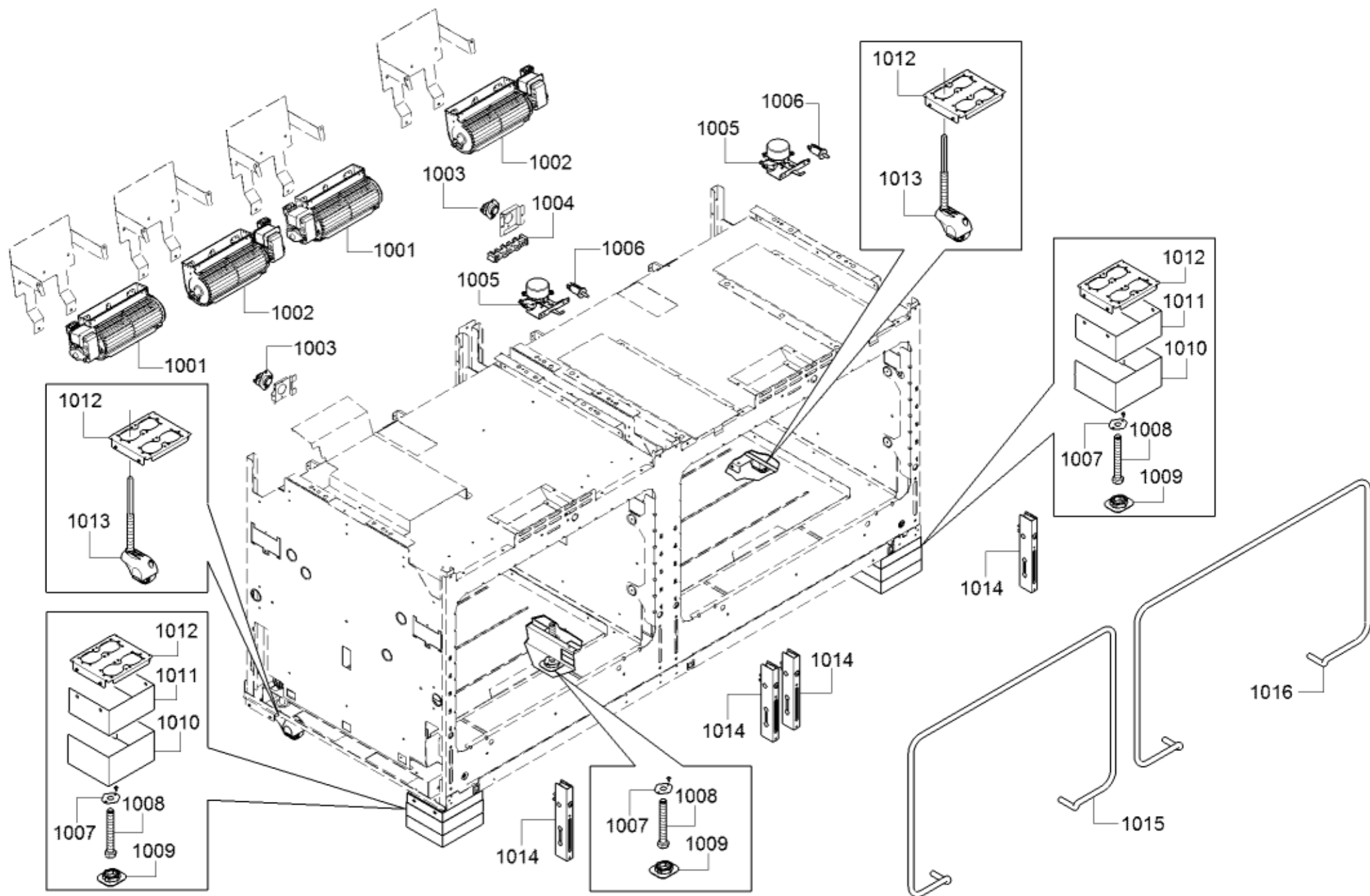
| Position ID | Part number. | Replaces: | Description |
|--------------------|---------------------|------------------|-------------------------------|
| 0701 | 11032521 | | Control module programmed |
| 0701 | 12032176 | 12034869 | Control module not programmed |
| 0702 | 00418283 | | Support |
| 0703 | 12024477 | 12034882 | Control module |
| 0704 | 12028138 | | Limiter-temperature |
| 0706 | 10005470 | | Control module |
| 0707 | 00489194 | | Transformer |
| 0708 | 12031987 | | Connectivity module |
| 0709 | 10008933 | | Clip |
| 0710 | 10010202 | | Clip |
| 0712 | 12024415 | | Ignition cable |
| 0712 | 12026846 | | Cable harness |
| 0713 | 12028088 | | Cable harness |
| 0714 | 12024414 | | Cable harness |
| 0715 | 12026845 | | Cable harness |
| 0716 | 12028077 | | Cable harness set |
| 0717 | 12026925 | | Cable harness |
| 0720 | 12028090 | | Cable harness |
| 0721 | 10008207 | | Ignition cable |
| 0723 | 12026868 | | Cable harness |
| 0723 | 12028082 | | Cable harness |
| 0724 | 12028086 | | Adapter |
| 0725 | 12028066 | | Cable harness set |
| 0726 | 12028087 | | Cable harness |



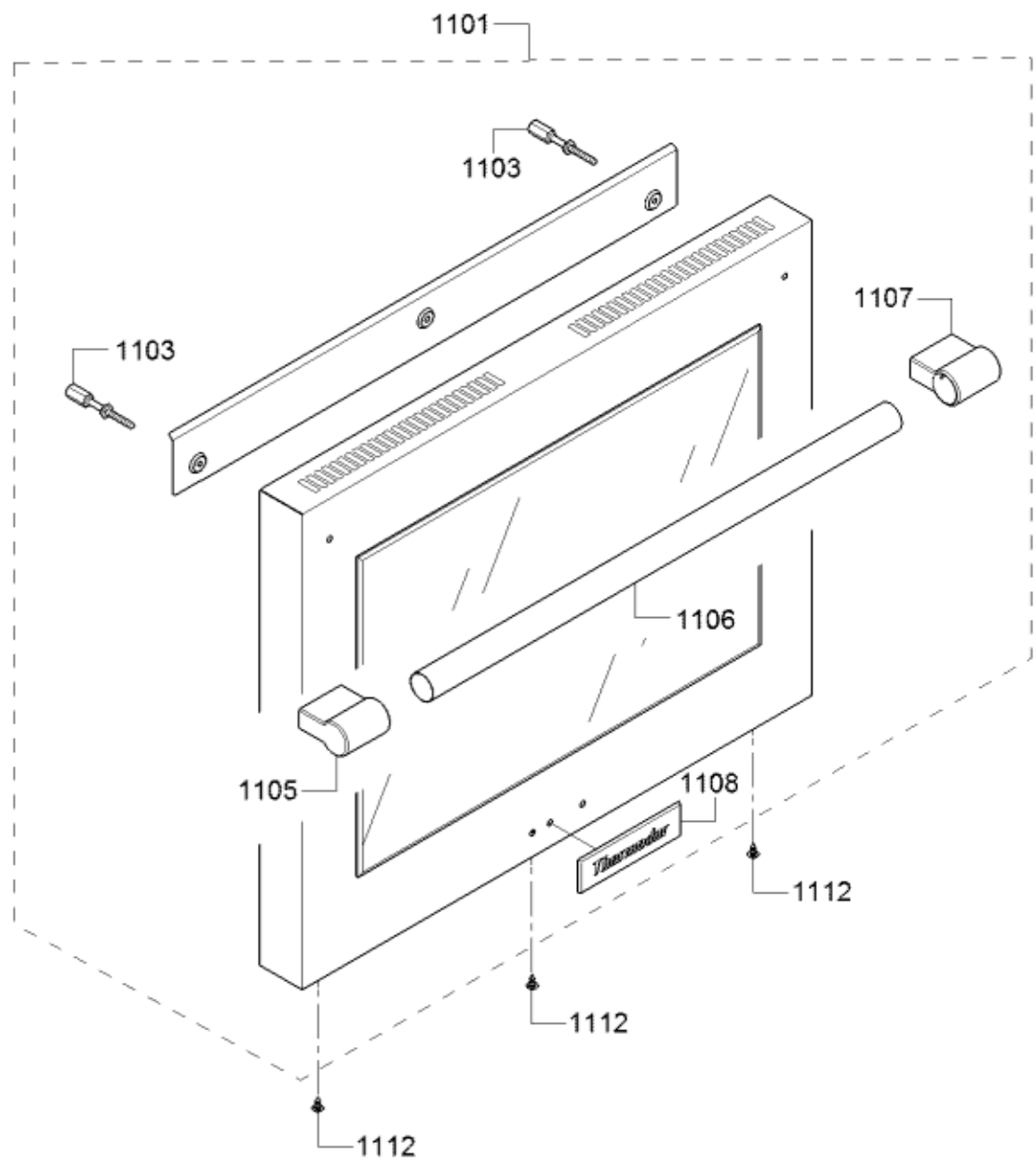
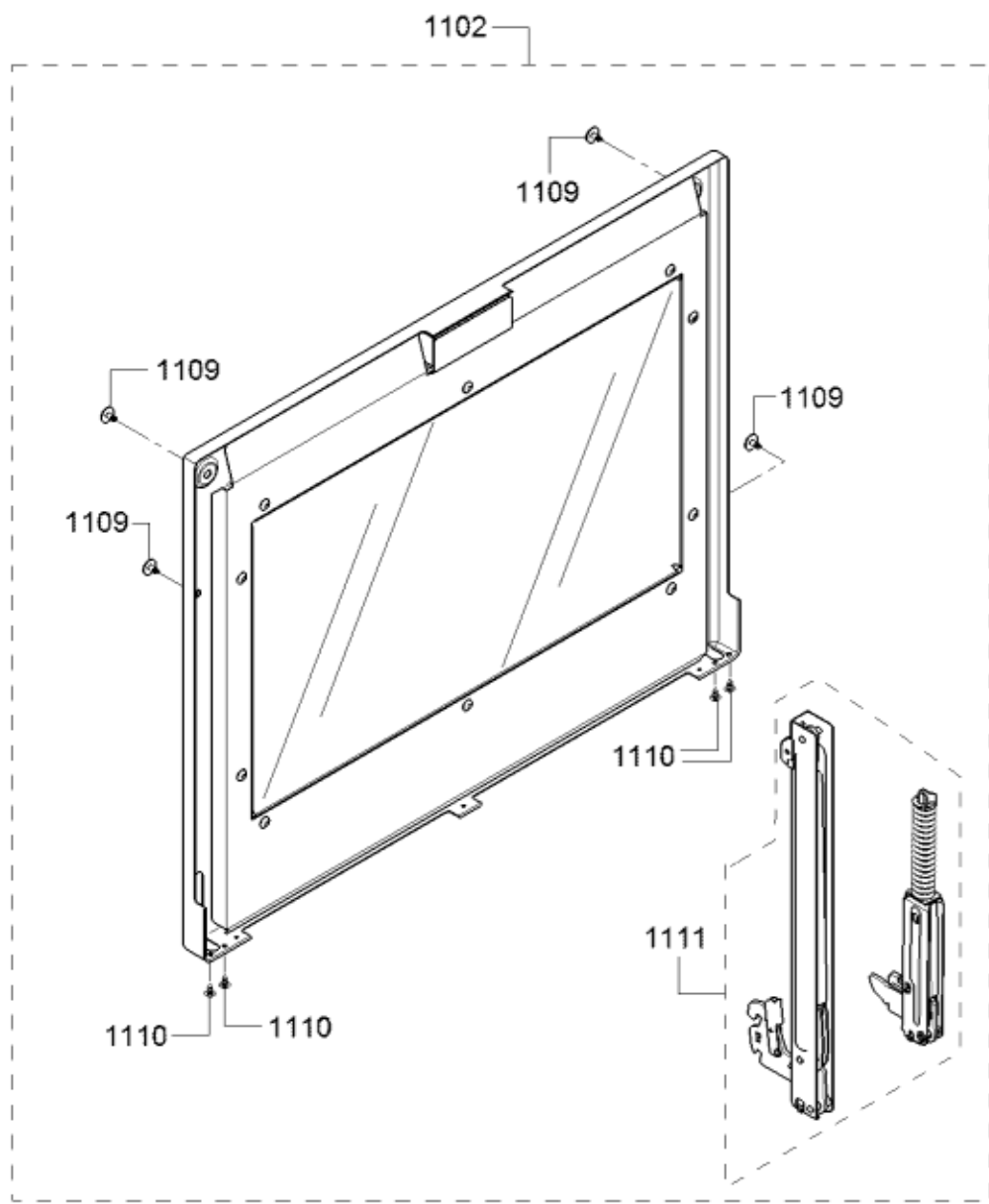
| Position ID | Part number. | Replaces: | Description |
|--------------------|---------------------|------------------|--------------------|
| 0801 | 00497756 | | Motor |
| 0804 | 10007424 | | Lamp |
| 0805 | 00709468 | | Heating element |
| 0806 | 10010225 | | Nut |
| 0808 | 10008183 | | Socket |
| 0809 | 00627375 | | Temperature sensor |
| 0810 | 00640401 | | Heating element |
| 0811 | 20000143 | | Cover |
| 0812 | 20000159 | | Guide |
| 0813 | 10011396 | | Bolt |
| 0814 | 12028136 | | Adapter |
| 0815 | 00479238 | | Cover |
| 0816 | 00706444 | | Cover |
| 0818 | 00774121 | | Deflector |
| 0819 | 12028075 | | Heating element |



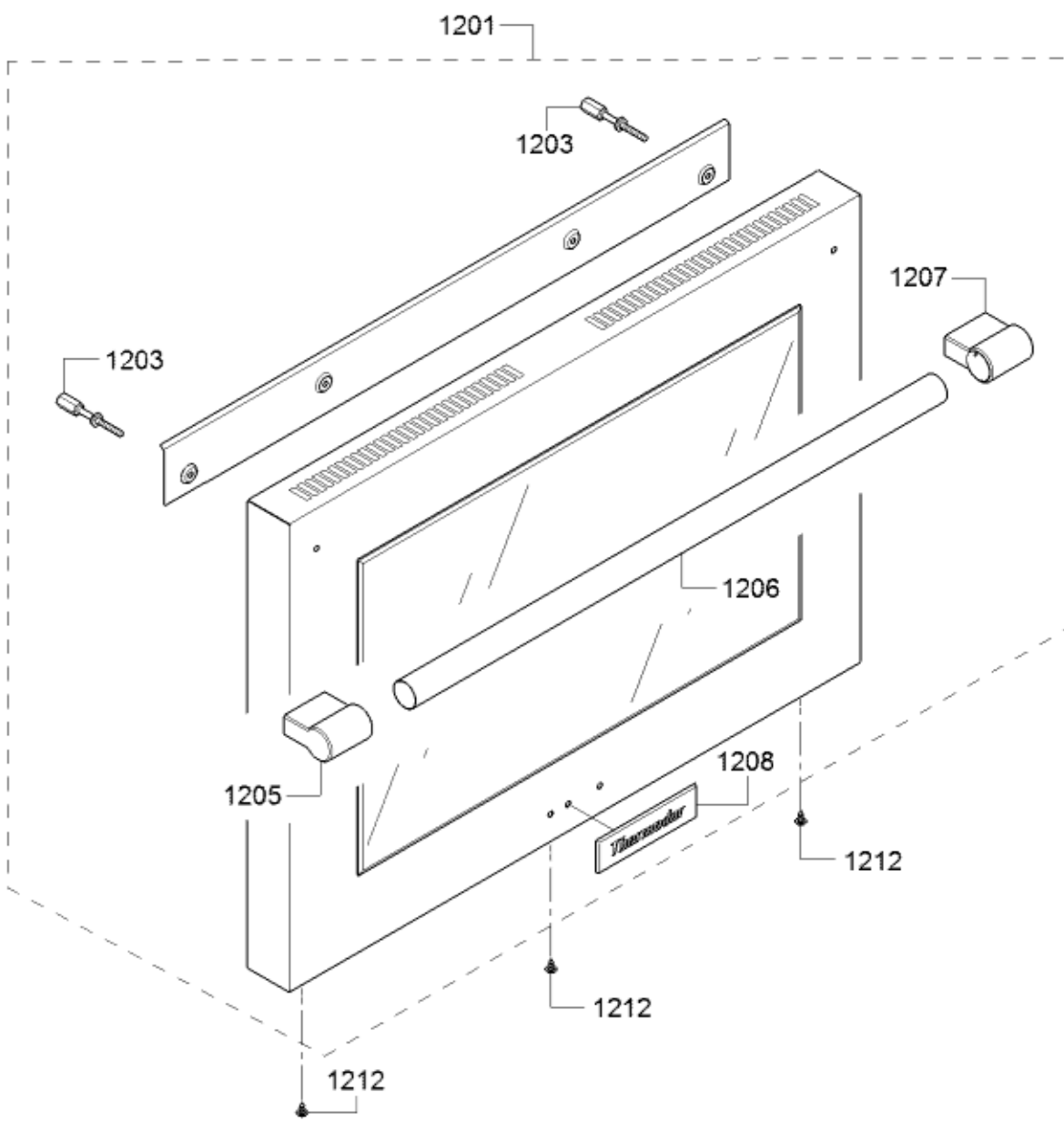
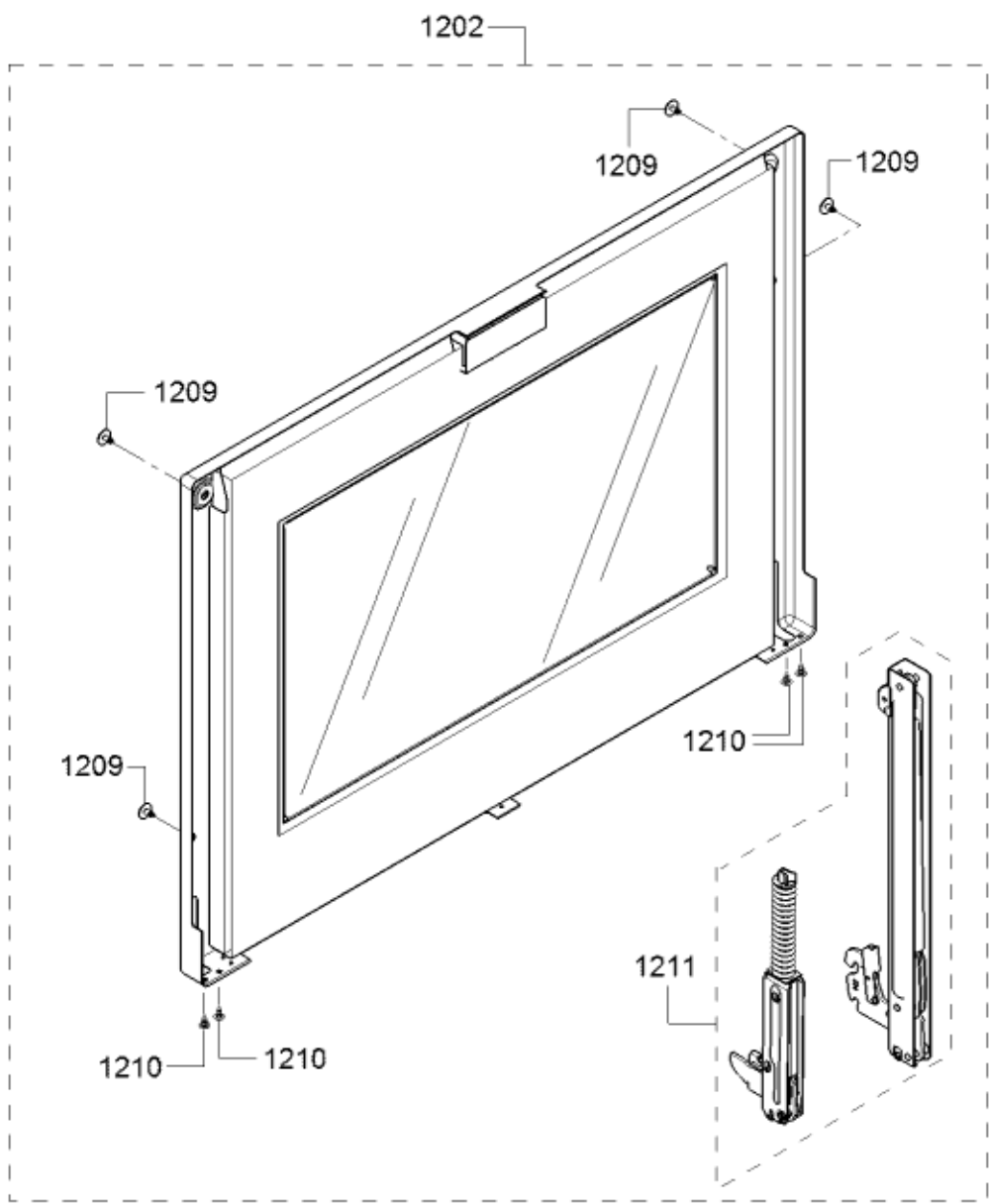
| Position ID | Part number. | Replaces: | Description |
|--------------------|---------------------|------------------|--------------------|
| 0901 | 00497756 | | Motor |
| 0902 | 00489178 | | Bracket |
| 0904 | 10007424 | | Lamp |
| 0905 | 00709468 | | Heating element |
| 0906 | 10010225 | | Nut |
| 0907 | 10010208 | | Washer |
| 0908 | 10008183 | | Socket |
| 0909 | 00627375 | | Temperature sensor |
| 0910 | 00640401 | | Heating element |
| 0911 | 11032519 | | Bracket |
| 0912 | 20000143 | | Cover |
| 0913 | 10011396 | | Bolt |
| 0914 | 12028136 | | Adapter |
| 0915 | 00706444 | | Cover |
| 0918 | 00687604 | | Plate |
| 0919 | 00431908 | | Broil Element |



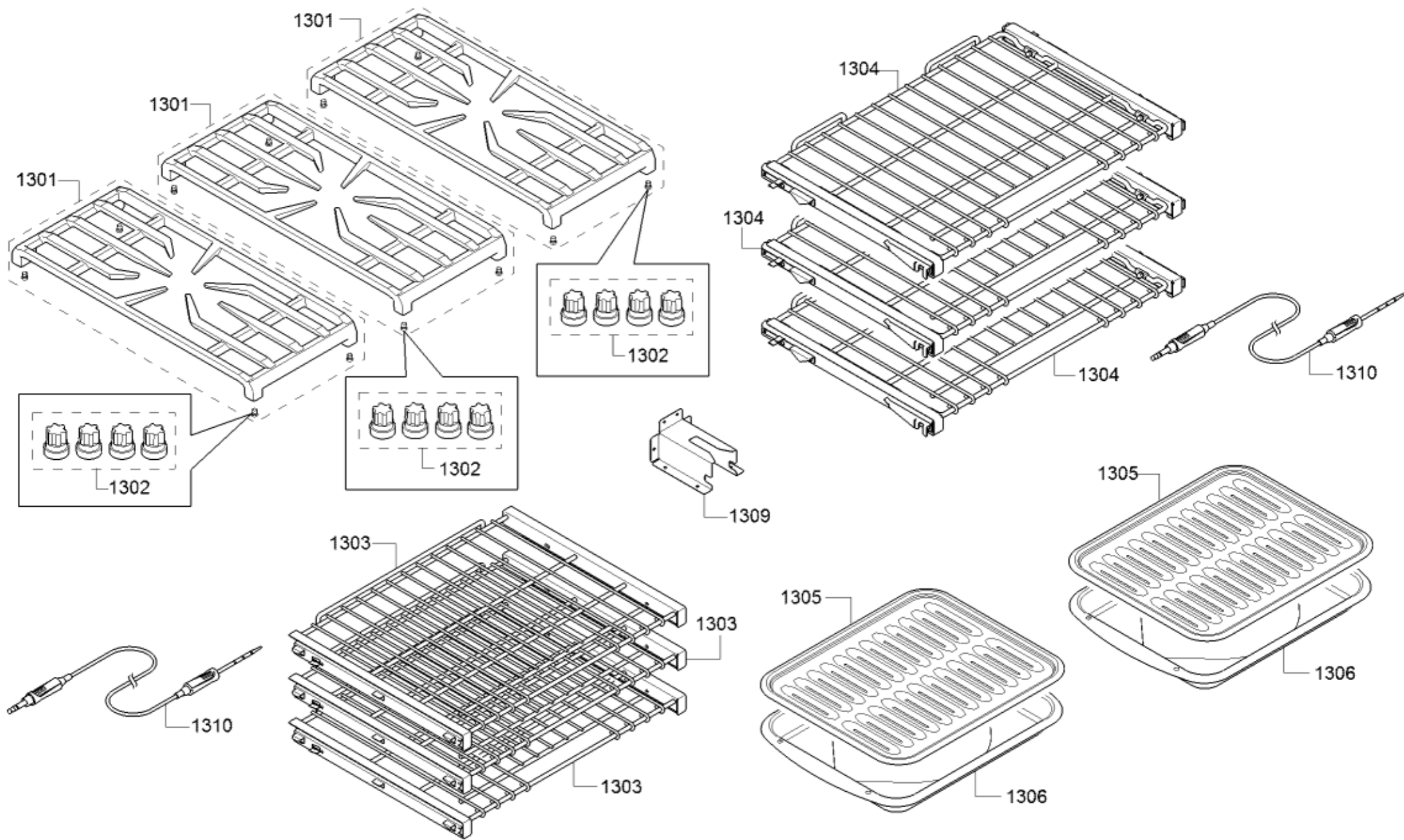
| Position ID | Part number. | Replaces: | Description |
|--------------------|---------------------|------------------|---------------------|
| 1003 | 10011167 | | Limiter-temperature |
| 1004 | 00628372 | | Terminal |
| 1005 | 00651285 | | Latch |
| 1006 | 00618400 | | Switch-door |
| 1007 | 10001186 | | Plate |
| 1008 | 12013593 | | Bolt |
| 1009 | 10001351 | | Foot |
| 1009 | 10010274 | | Screw |
| 1010 | 12032338 | | Cover |
| 1011 | 12032339 | | Cover |
| 1012 | 12028141 | | Cover |
| 1013 | 12011935 | | Wheel |
| 1015 | 20000144 | | Seal-door |
| 1016 | 20000145 | | Seal-door |
| 1030 | 00644253 | | Power cord |
| 1030 | 00648862 | | Cable harness |
| 1001 | 10020211 | | Fan motor |
| 1002 | 10020212 | | Fan motor |



| Position ID | Part number. | Replaces: | Description |
|--------------------|---------------------|------------------|--------------------|
| 1101 | 20000151 | | Door-outer |
| 1102 | 20000152 | | Door-inner |
| 1103 | 10011927 | | Bolt |
| 1105 | 10011397 | | Handle-cap shaped |
| 1106 | 11033033 | | Handle-door |
| 1107 | 10011397 | | Handle-cap shaped |
| 1108 | 10010271 | | Plate |
| 1110 | 10008228 | | Screw |
| 1111 | 11032544 | | Hinge |
| 1112 | 00618862 | | Screw |



| Position ID | Part number. | Replaces: | Description |
|--------------------|---------------------|------------------|--------------------|
| 1201 | 20000153 | | Door-outer |
| 1202 | 20000154 | | Door-inner |
| 1203 | 10011927 | | Bolt |
| 1205 | 10011397 | | Handle-cap shaped |
| 1206 | 11033033 | | Handle-door |
| 1207 | 10011397 | | Handle-cap shaped |
| 1208 | 10010271 | | Plate |
| 1209 | 10010274 | | Screw |
| 1210 | 10008228 | | Screw |
| 1211 | 11032543 | | Hinge |
| 1212 | 00618862 | | Screw |



| Position ID | Part number. | Replaces: | Description |
|--------------------|---------------------|------------------|----------------------------|
| 1301 | 00145306 | | Grill grid |
| 1302 | 00637940 | | Grate Foot Replacement Kit |
| 1303 | 00774616 | | 30" Telescopic Rack |
| 1304 | 00774617 | | 36" Telescopic Rack |
| 1305 | 11013689 | | Grill tray |
| 1306 | 00484628 | 00449757 | Tray for Broiler Pan |
| 1309 | 10011639 | | Bracket |
| 1310 | 12022200 | | Sensor |