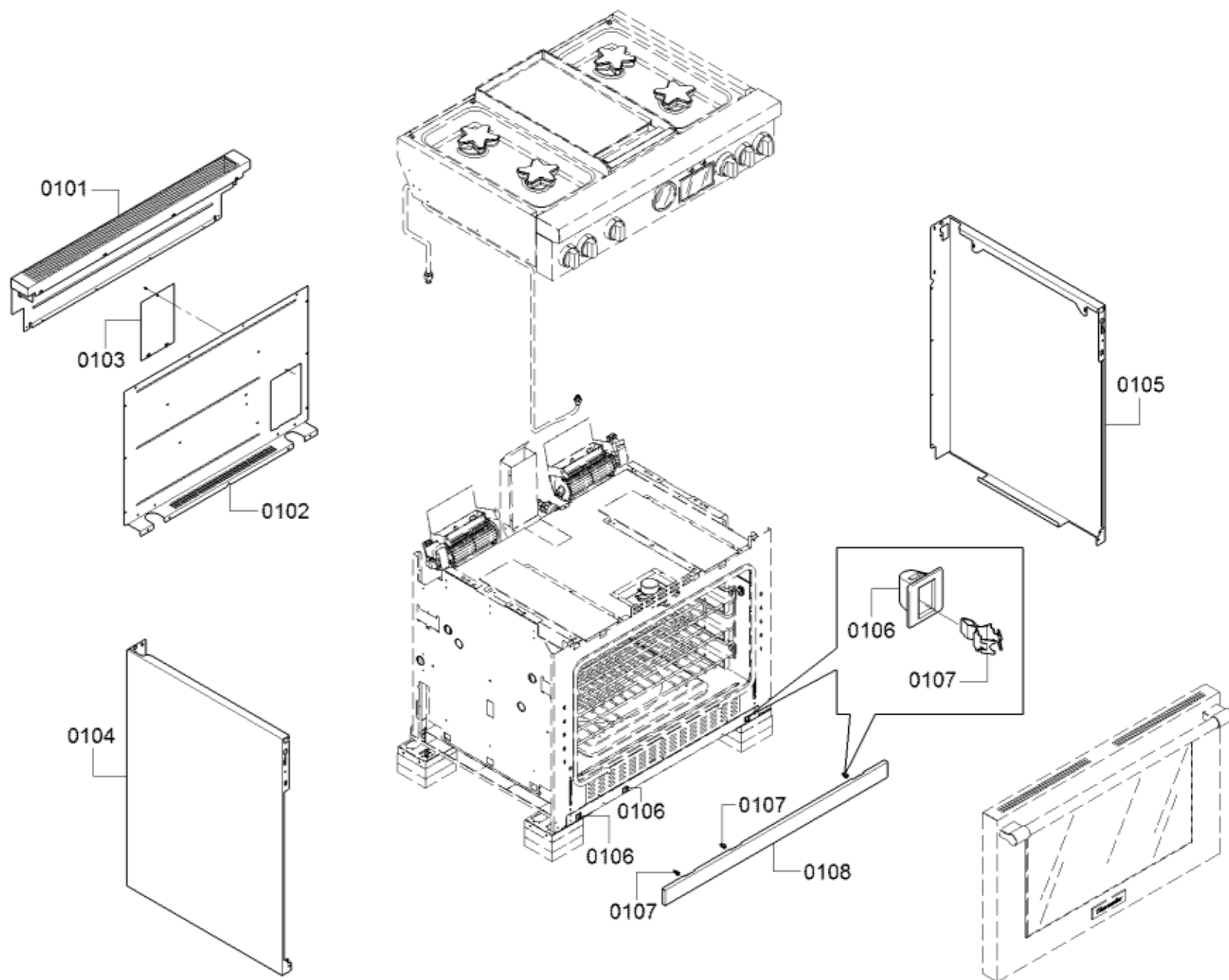


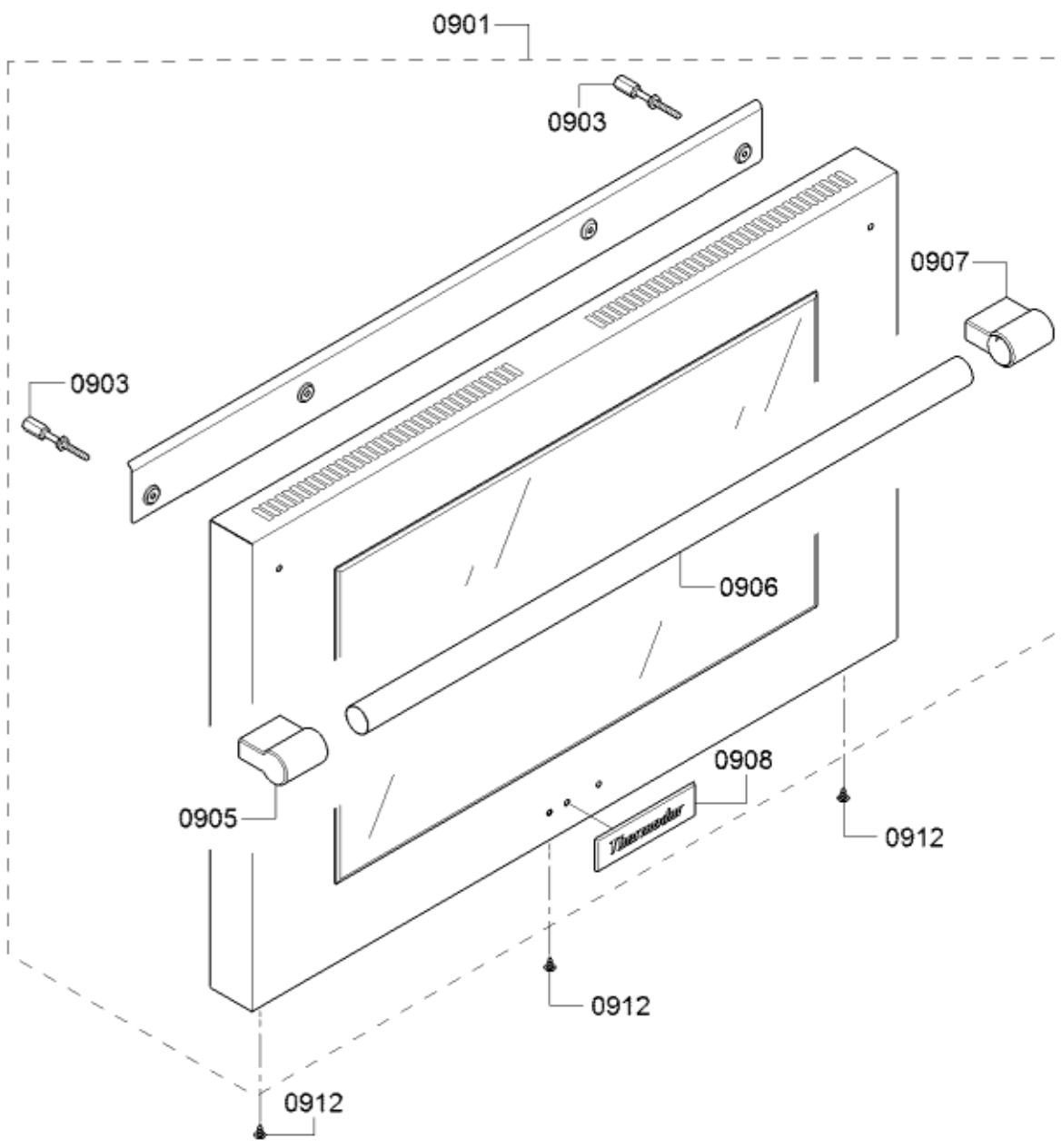
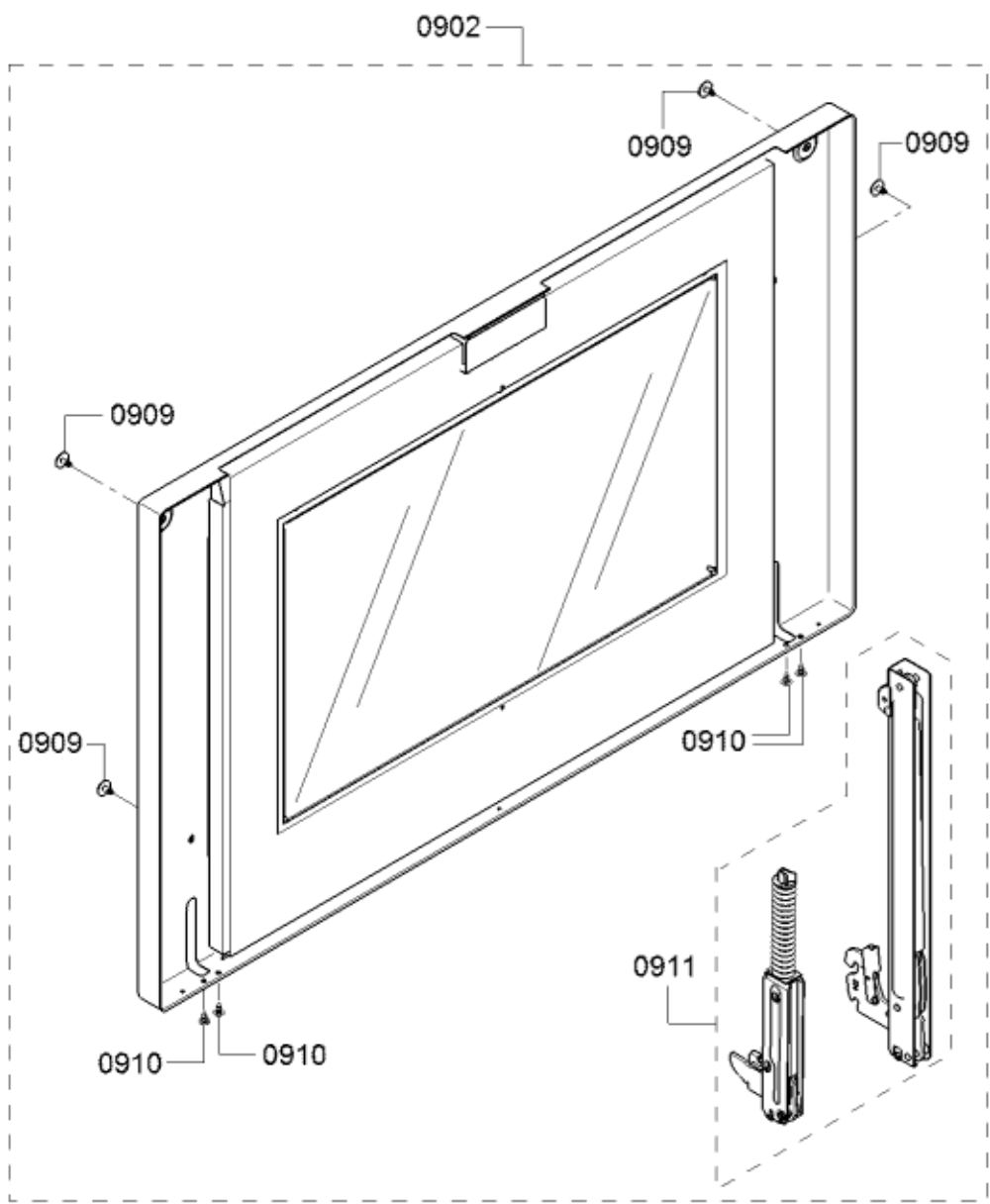
| <b>Position ID</b> | <b>Part number.</b> | <b>Replaces:</b> | <b>Description</b>            |
|--------------------|---------------------|------------------|-------------------------------|
| 0601               | 11032521            |                  | Control module programmed     |
| 0601               | 12025831            |                  | Control module not programmed |
| 0602               | 00418283            |                  | Support                       |
| 0603               | 12028138            |                  | Limiter-temperature           |
| 0604               | 12031987            |                  | Connectivity module           |
| 0606               | 10005470            |                  | Control module                |
| 0607               | 00489194            |                  | Transformer                   |
| 0608               | 10008933            |                  | Clip                          |
| 0609               | 10010202            |                  | Clip                          |
| 0610               | 10008207            |                  | Ignition cable                |
| 0611               | 12024415            |                  | Ignition cable                |
| 0612               | 12026846            |                  | Cable harness                 |
| 0613               | 12028596            |                  | Cable harness                 |
| 0614               | 12024414            |                  | Cable harness                 |
| 0615               | 12033559            |                  | Cable harness                 |
| 0616               | 12028077            |                  | Cable harness set             |
| 0617               | 12026925            |                  | Cable harness                 |
| 0620               | 11032800            |                  | Cable harness                 |
| 0621               | 00656309            | 00752650         | Power cord                    |
| 0621               | 12028509            |                  | Cable harness                 |
| 0622               | 11032801            |                  | Cable harness                 |
| 0623               | 12028082            |                  | Cable harness                 |
| 0624               | 12028086            |                  | Adapter                       |
| 0625               | 12028597            |                  | Cable harness                 |
| 0605               | 00423966            |                  | Cable strap                   |



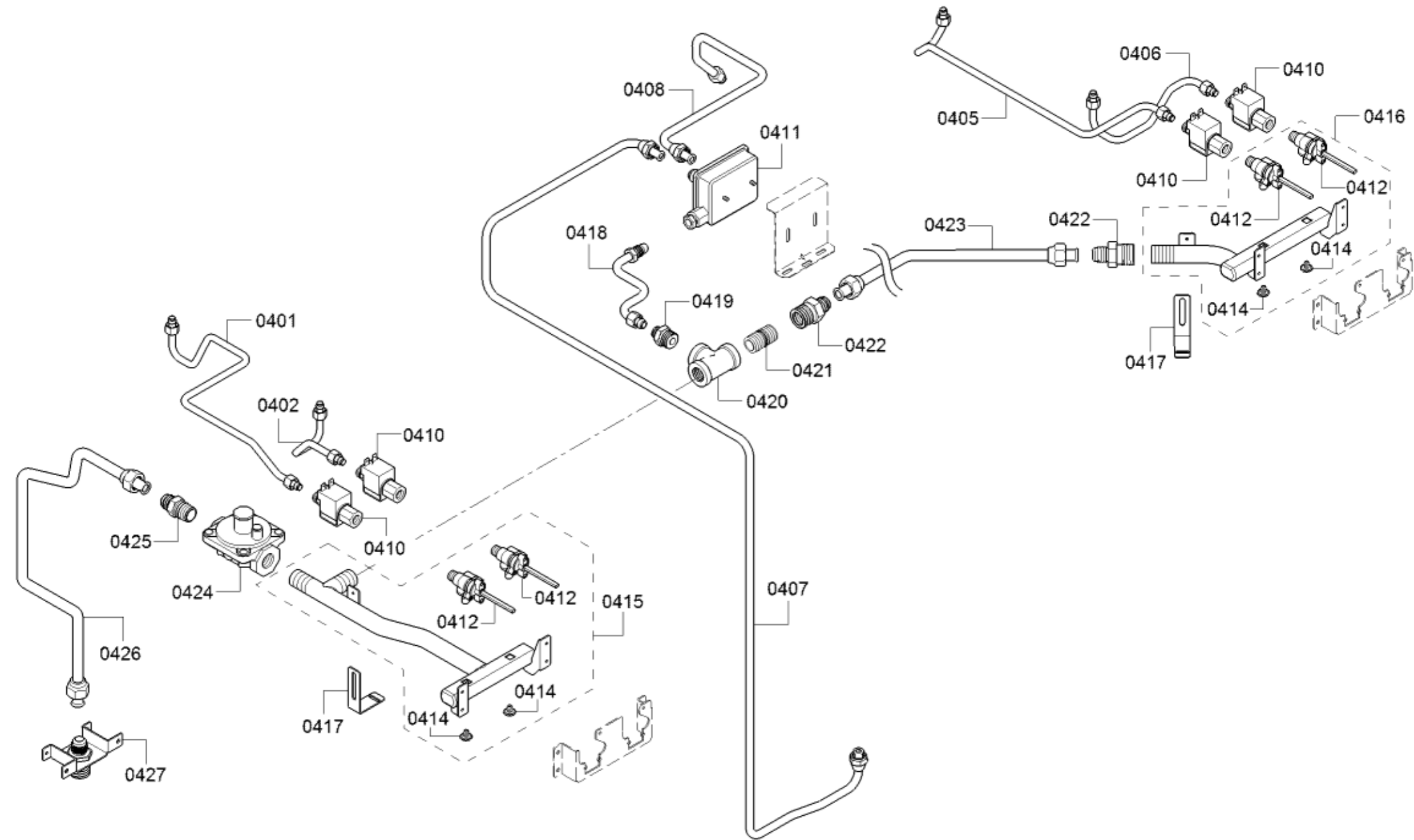
0199



| <b>Position ID</b> | <b>Part number.</b> | <b>Replaces:</b> | <b>Description</b> |
|--------------------|---------------------|------------------|--------------------|
| 0101               | 00146136            |                  | Back wall panel    |
| 0102               | 23000092            |                  | Back panel         |
| 0103               | 00649417            | 00752161         | Cover              |
| 0104               | 23000263            |                  | Panel side         |
| 0105               | 23000264            |                  | Panel side         |
| 0106               | 10013545            |                  | Latch              |
| 0107               | 00619081            |                  | Connection piece   |
| 0108               | 20000278            |                  | Panel              |

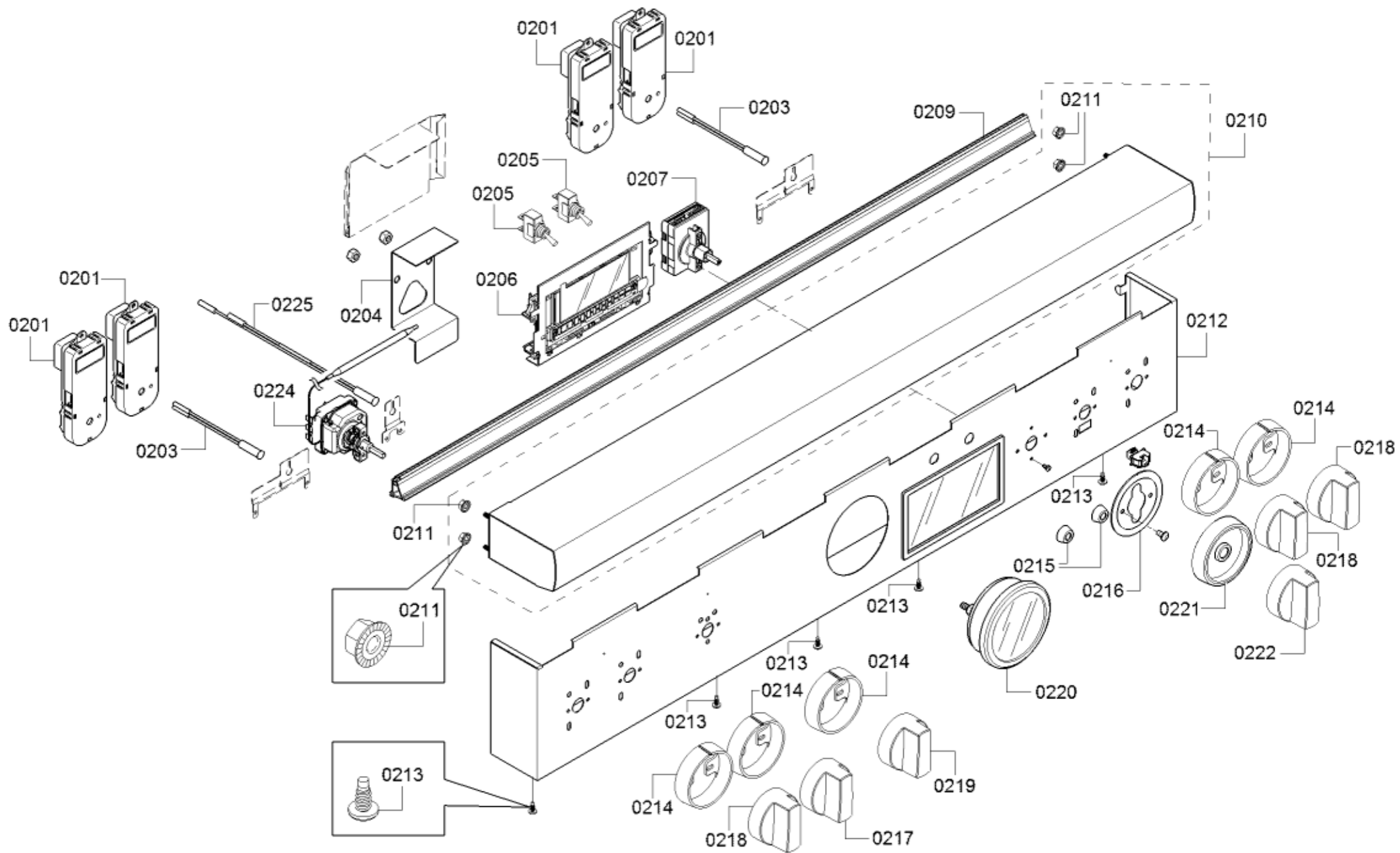


| <b>Position ID</b> | <b>Part number.</b> | <b>Replaces:</b> | <b>Description</b> |
|--------------------|---------------------|------------------|--------------------|
| 0901               | 20000155            |                  | Door-outer         |
| 0902               | 20000156            |                  | Door-inner         |
| 0903               | 10010275            |                  | Screw              |
| 0905               | 10011397            |                  | Handle-cap shaped  |
| 0906               | 11032802            |                  | Handle-door        |
| 0907               | 10011397            |                  | Handle-cap shaped  |
| 0908               | 10010271            |                  | Plate              |
| 0909               | 10010274            |                  | Screw              |
| 0910               | 10008228            |                  | Screw              |
| 0911               | 11032545            |                  | Hinge              |
| 0912               | 00618862            |                  | Screw              |

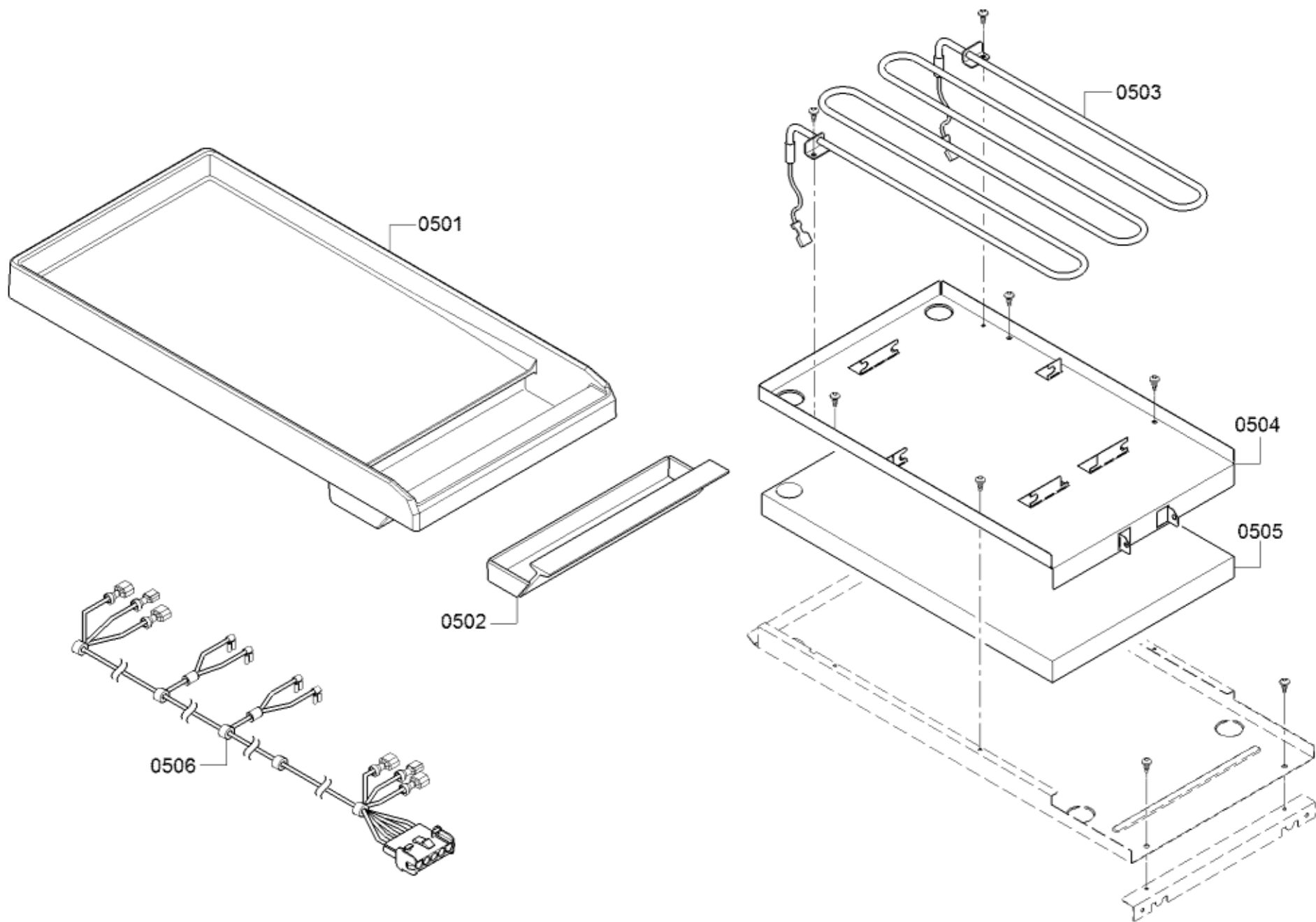


| <b>Position ID</b> | <b>Part number.</b> | <b>Replaces:</b> | <b>Description</b>    |
|--------------------|---------------------|------------------|-----------------------|
| 0401               | 11032438            |                  | Gas tap               |
| 0402               | 11032439            |                  | Gas tap               |
| 0405               | 11032440            |                  | Gas tap               |
| 0406               | 11032441            |                  | Gas tap               |
| 0407               | 11032877            |                  | Gas tap               |
| 0408               | 11032878            |                  | Gas tap               |
| 0410               | 00423093            |                  | Valve                 |
| 0411               | 00605061            |                  | Valve-two way         |
| 0412               | 10003806            |                  | Valve                 |
| 0414               | 00420807            |                  | Screw                 |
| 0415               | 00779007            |                  | Manifold              |
| 0416               | 20000140            |                  | Manifold              |
| 0417               | 10009569            |                  | Bracket               |
| 0418               | 11032879            |                  | Gas tap               |
| 0419               | 00427661            |                  | Connection piece      |
| 0420               | 00601543            |                  | Connection            |
| 0421               | 10011560            |                  | Connection piece      |
| 0422               | 10010270            |                  | Pipe connection piece |
| 0423               | 11032880            |                  | Gas tap               |
| 0424               | 00754658            |                  | Regulator-pressure    |
| 0425               | 10010200            |                  | Adapter               |
| 0426               | 11032865            |                  | Gas tap               |
| 0427               | 10011592            |                  | Extension for inlet   |

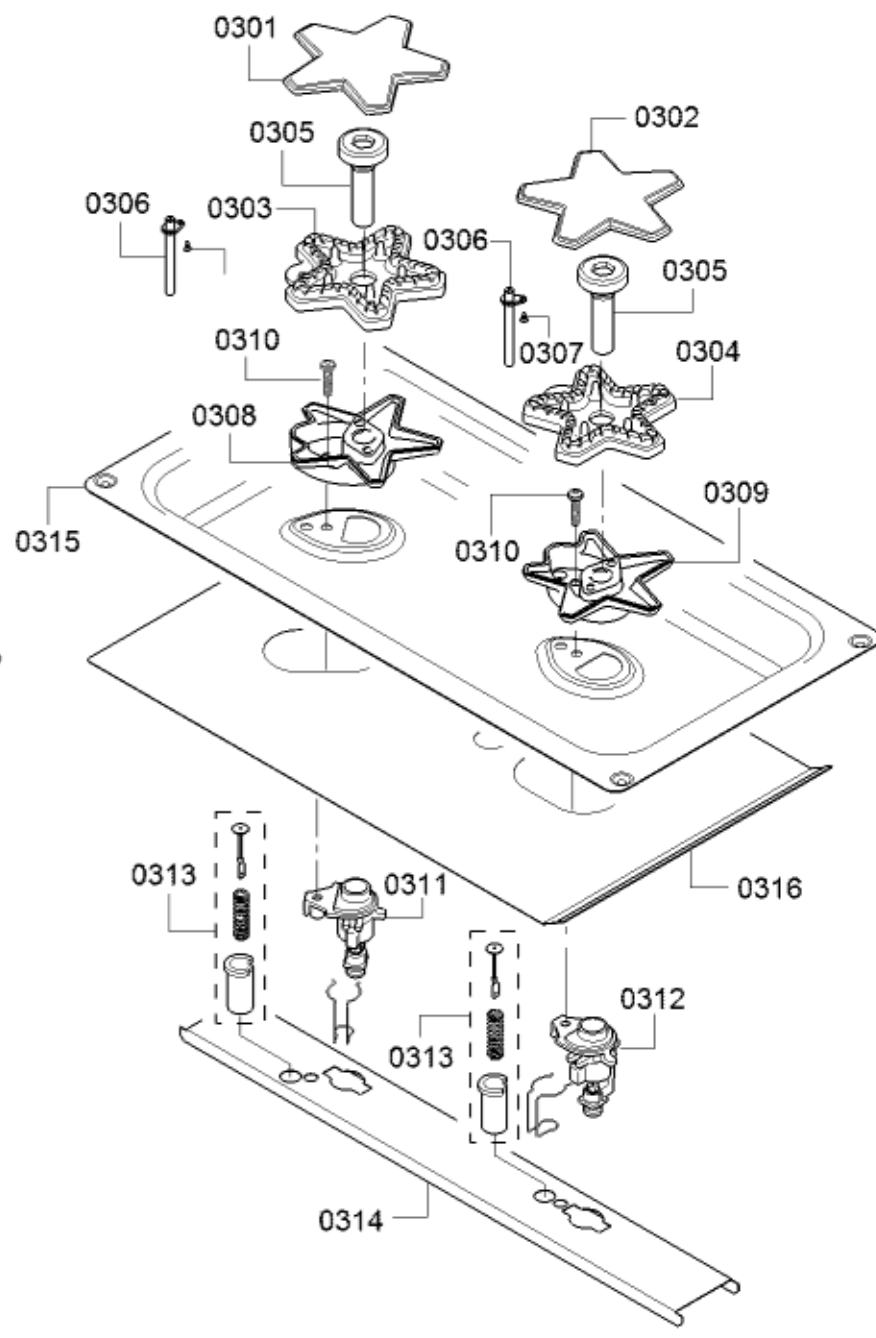
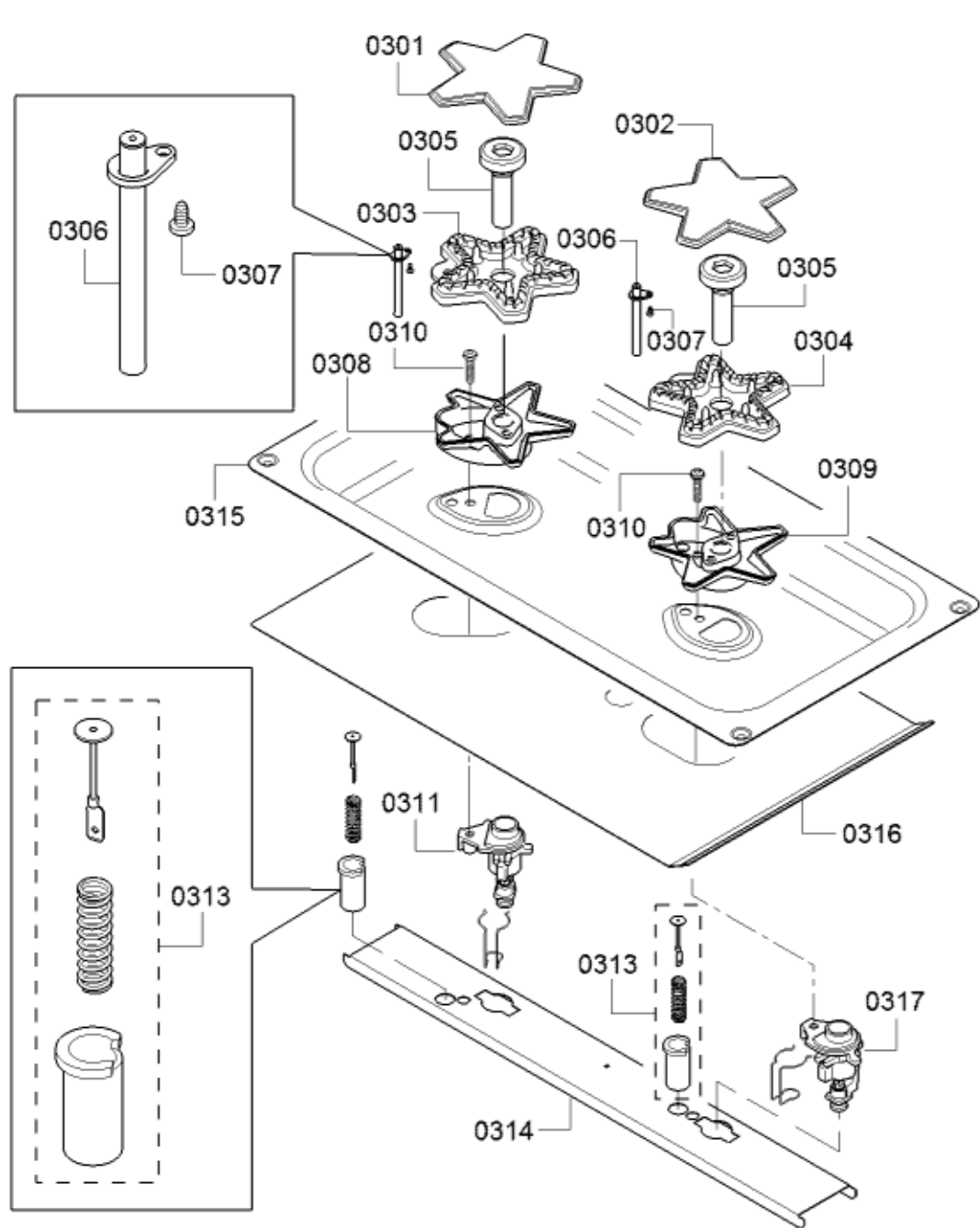




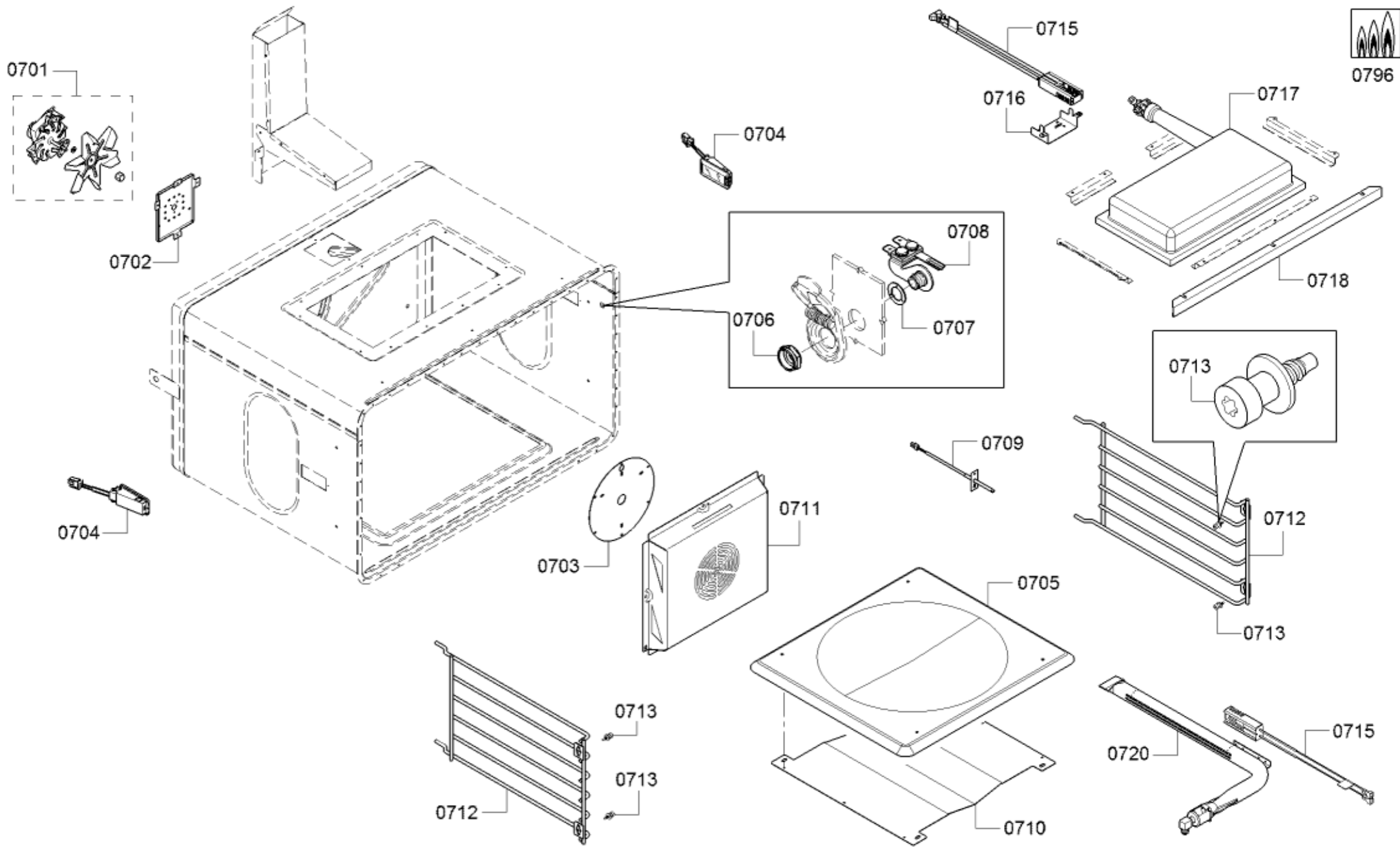
| <b>Position ID</b> | <b>Part number.</b> | <b>Replaces:</b> | <b>Description</b>            |
|--------------------|---------------------|------------------|-------------------------------|
| 0201               | 12024418            |                  | Module-relay                  |
| 0203               | 00617931            |                  | Display                       |
| 0204               | 11032519            |                  | Bracket                       |
| 0205               | 00609115            |                  | Switch                        |
| 0206               | 11032495            |                  | Display module not programmed |
| 0206               | 12028842            |                  | Display module programmed     |
| 0207               | 10011872            |                  | Switch-selector               |
| 0209               | 00687127            |                  | Light bar                     |
| 0210               | 20000042            | 23000467         | Support                       |
| 0211               | 00623615            |                  | Nut                           |
| 0212               | 20000025            |                  | Panel-facia                   |
| 0213               | 10008212            |                  | Screw                         |
| 0214               | 10008201            |                  | Ring                          |
| 0215               | 00418122            |                  | Ring                          |
| 0216               | 10010231            |                  | Encoder                       |
| 0217               | 10011598            |                  | Knob                          |
| 0218               | 10008199            |                  | Knob                          |
| 0219               | 10009568            |                  | Knob                          |
| 0220               | 12034239            |                  | Display-temperature           |
| 0221               | 10011873            |                  | Ring                          |
| 0222               | 10010230            |                  | Knob                          |
| 0224               | 00623921            |                  | Regulator-temperature         |
| 0225               | 00617886            |                  | Display                       |



| <b>Position ID</b> | <b>Part number.</b> | <b>Replaces:</b> | <b>Description</b> |
|--------------------|---------------------|------------------|--------------------|
| 0501               | 00778241            |                  | Griddle            |
| 0502               | 12024437            |                  | Tray               |
| 0503               | 11028221            |                  | Heating element    |
| 0504               | 12024439            |                  | Retaining plate    |
| 0505               | 12024438            |                  | Insulating part    |
| 0506               | 12024440            |                  | Cable harness      |

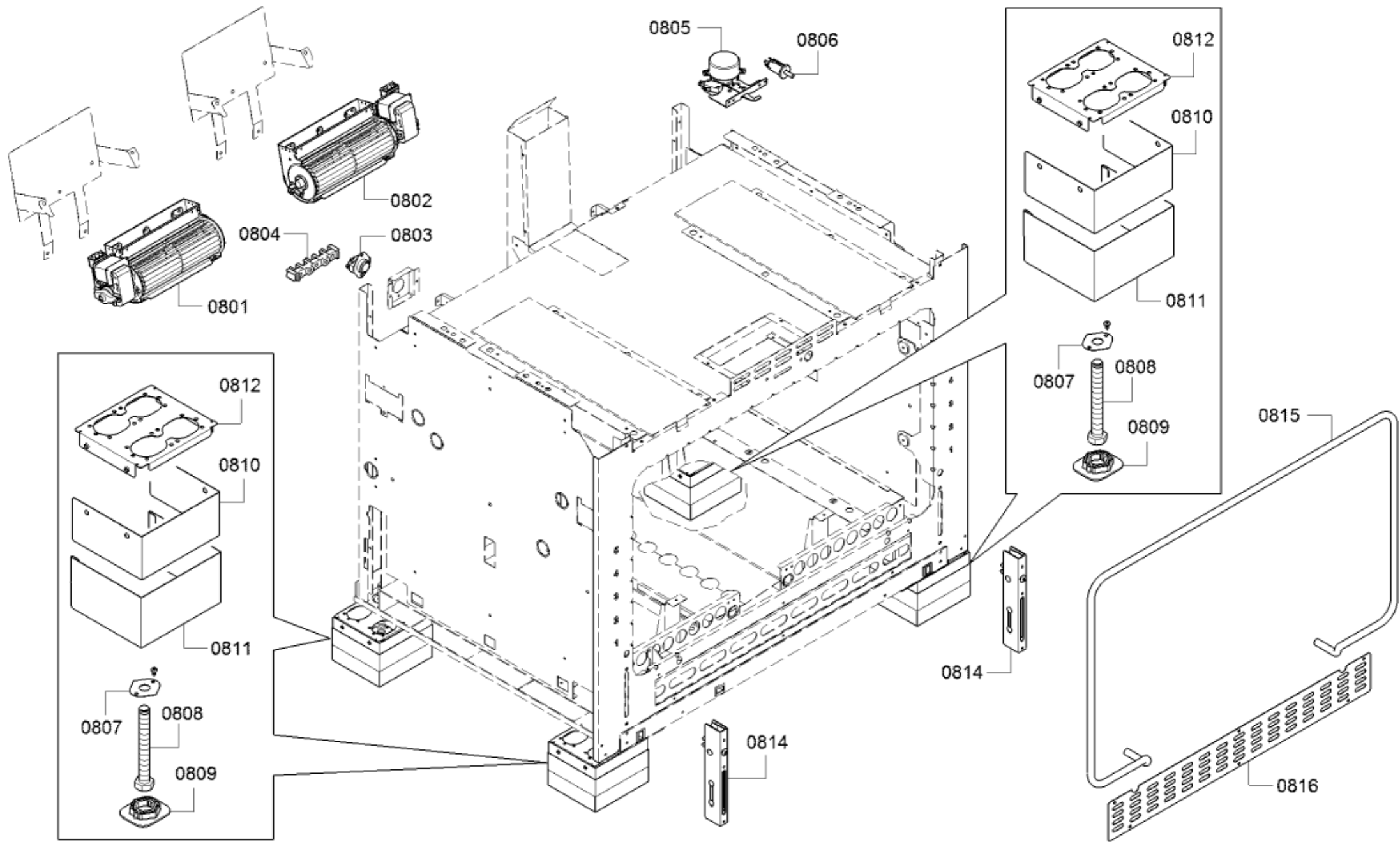


| <b>Position ID</b> | <b>Part number.</b> | <b>Replaces:</b> | <b>Description</b> |
|--------------------|---------------------|------------------|--------------------|
| 0301               | 10004490            |                  | Burner cap         |
| 0302               | 10004489            |                  | Burner cap         |
| 0303               | 10004493            |                  | Burner             |
| 0304               | 10004492            |                  | Burner             |
| 0305               | 10004495            |                  | Venturi nozzle     |
| 0306               | 10006471            |                  | Electrode          |
| 0307               | 10008211            |                  | Screw              |
| 0308               | 10004498            |                  | Burner housing     |
| 0309               | 10004497            |                  | Burner housing     |
| 0310               | 10004531            |                  | Screw              |
| 0311               | 10006793            |                  | Jet                |
| 0312               | 10006797            |                  | Jet                |
| 0313               | 12007259            |                  | Ignition device    |
| 0314               | 00701902            |                  | Rail               |
| 0315               | 11013687            |                  | Hob top            |
| 0316               | 10008221            |                  | Heat shield        |
| 0317               | 10006795            |                  | Jet                |

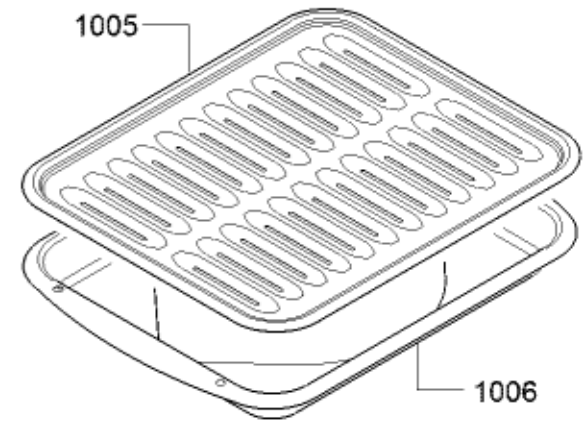
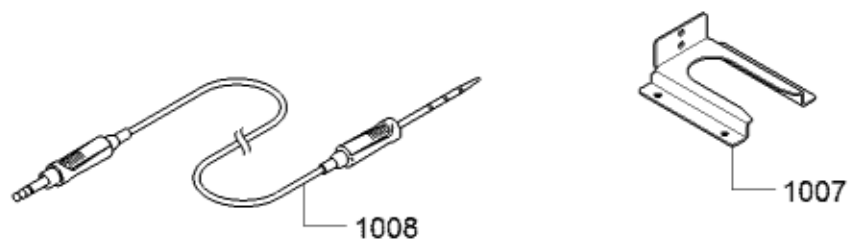
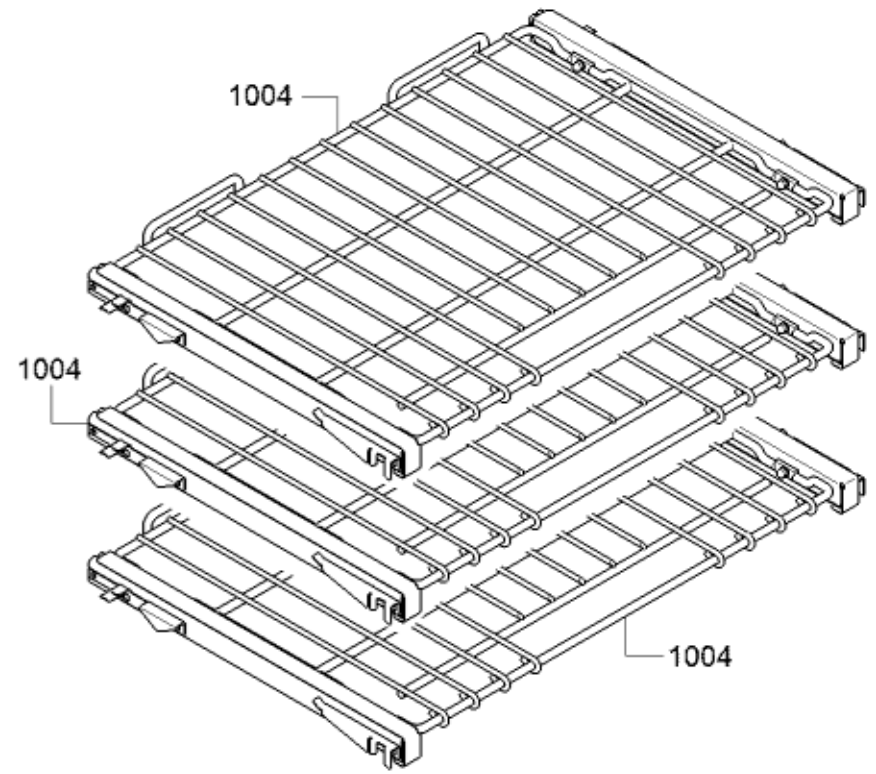
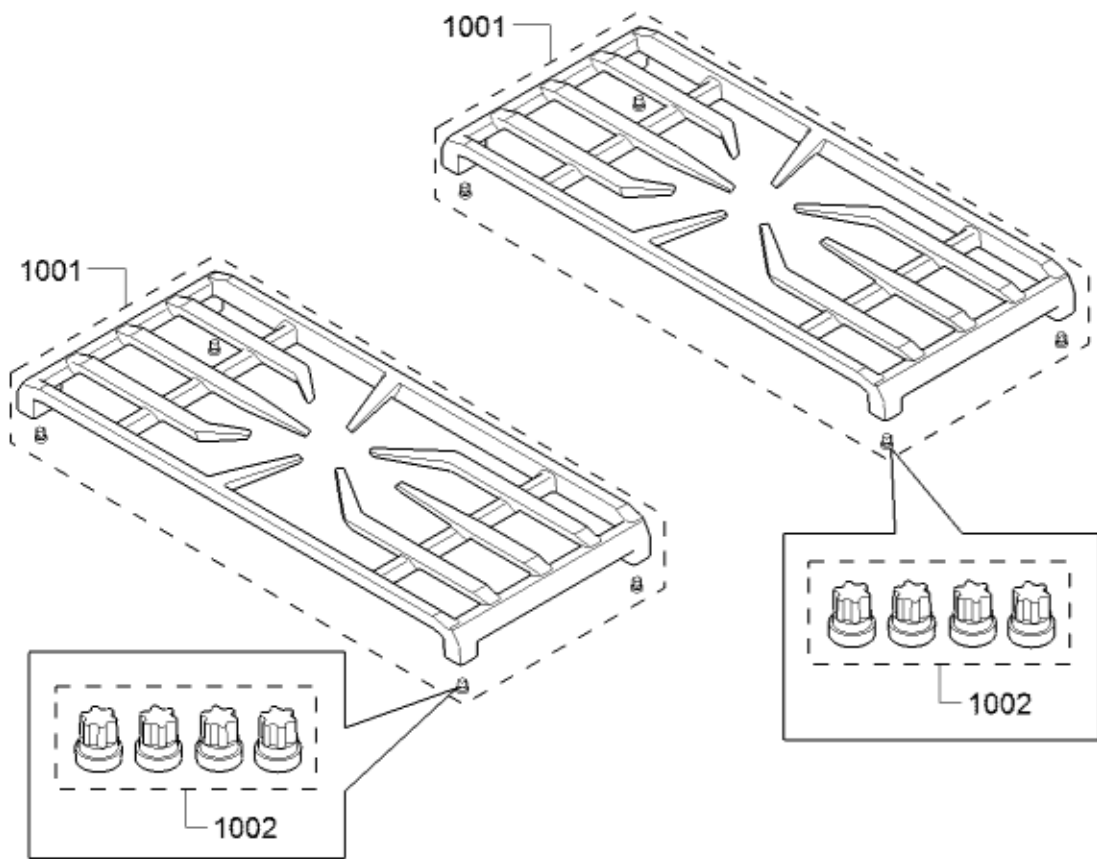


| <b>Position ID</b> | <b>Part number.</b> | <b>Replaces:</b> | <b>Description</b> |
|--------------------|---------------------|------------------|--------------------|
| 0701               | 00497756            |                  | Motor              |
| 0702               | 00489178            |                  | Bracket            |
| 0703               | 00479238            |                  | Cover              |
| 0704               | 10007424            |                  | Lamp               |
| 0705               | 23000287            |                  | Cover              |
| 0706               | 10010225            |                  | Nut                |
| 0707               | 00425408            |                  | Washer             |
| 0708               | 10008183            |                  | Socket             |
| 0709               | 00627375            |                  | Temperature sensor |
| 0710               | 11030966            |                  | Plate              |
| 0711               | 20000143            |                  | Cover              |
| 0712               | 11032546            |                  | Support            |
| 0713               | 10011396            |                  | Bolt               |
| 0714               | 12028136            |                  | Adapter            |
| 0715               | 00492431            |                  | Igniter            |
| 0716               | 00600909            |                  | Bracket            |
| 0717               | 11032929            |                  | Burner             |
| 0718               | 00445814            |                  | Guide              |
| 0720               | 11032930            |                  | Burner             |





| <b>Position ID</b> | <b>Part number.</b> | <b>Replaces:</b> | <b>Description</b>  |
|--------------------|---------------------|------------------|---------------------|
| 0803               | 10011167            |                  | Limiter-temperature |
| 0804               | 00628372            |                  | Terminal            |
| 0805               | 00651285            |                  | Latch               |
| 0806               | 00618400            |                  | Switch-door         |
| 0807               | 10001186            |                  | Plate               |
| 0808               | 12013593            |                  | Bolt                |
| 0809               | 10001351            |                  | Foot                |
| 0810               | 12032338            |                  | Cover               |
| 0811               | 12032339            |                  | Cover               |
| 0812               | 12028141            |                  | Cover               |
| 0814               | 00655554            |                  | Receiver            |
| 0815               | 20000145            |                  | Seal-door           |
| 0816               | 12028598            |                  | Cover               |
| 0801               | 10020211            |                  | Fan motor           |
| 0802               | 10020212            |                  | Fan motor           |



| <b>Position ID</b> | <b>Part number.</b> | <b>Replaces:</b> | <b>Description</b>         |
|--------------------|---------------------|------------------|----------------------------|
| 1001               | 00145306            |                  | Grill grid                 |
| 1002               | 00637940            |                  | Grate Foot Replacement Kit |
| 1004               | 00774617            |                  | 36" Telescopic Rack        |
| 1005               | 11013689            |                  | Grill tray                 |
| 1006               | 00484628            | 00449757         | Tray for Broiler Pan       |
| 1007               | 10010207            |                  | Bracket                    |
| 1008               | 12022200            |                  | Sensor                     |