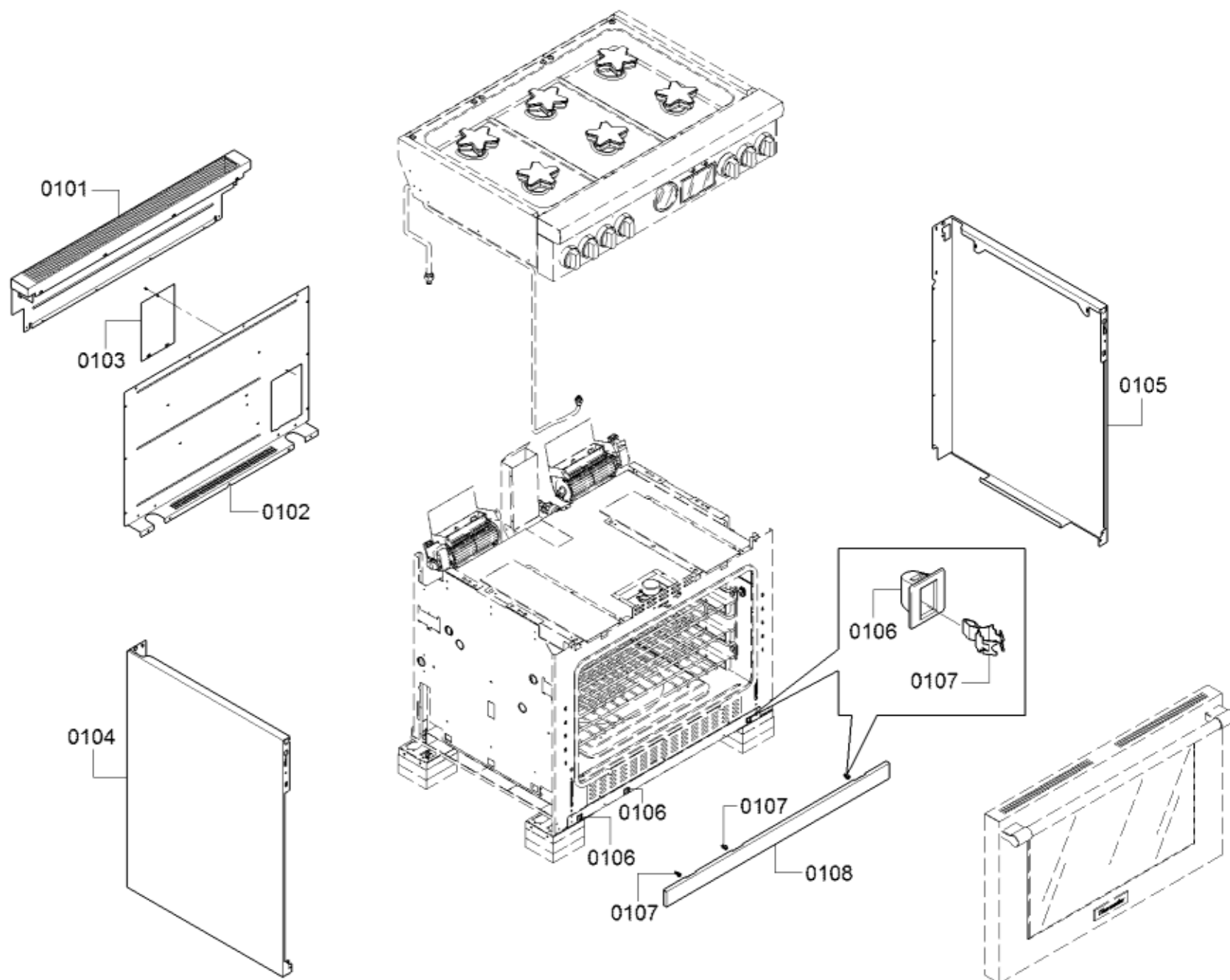
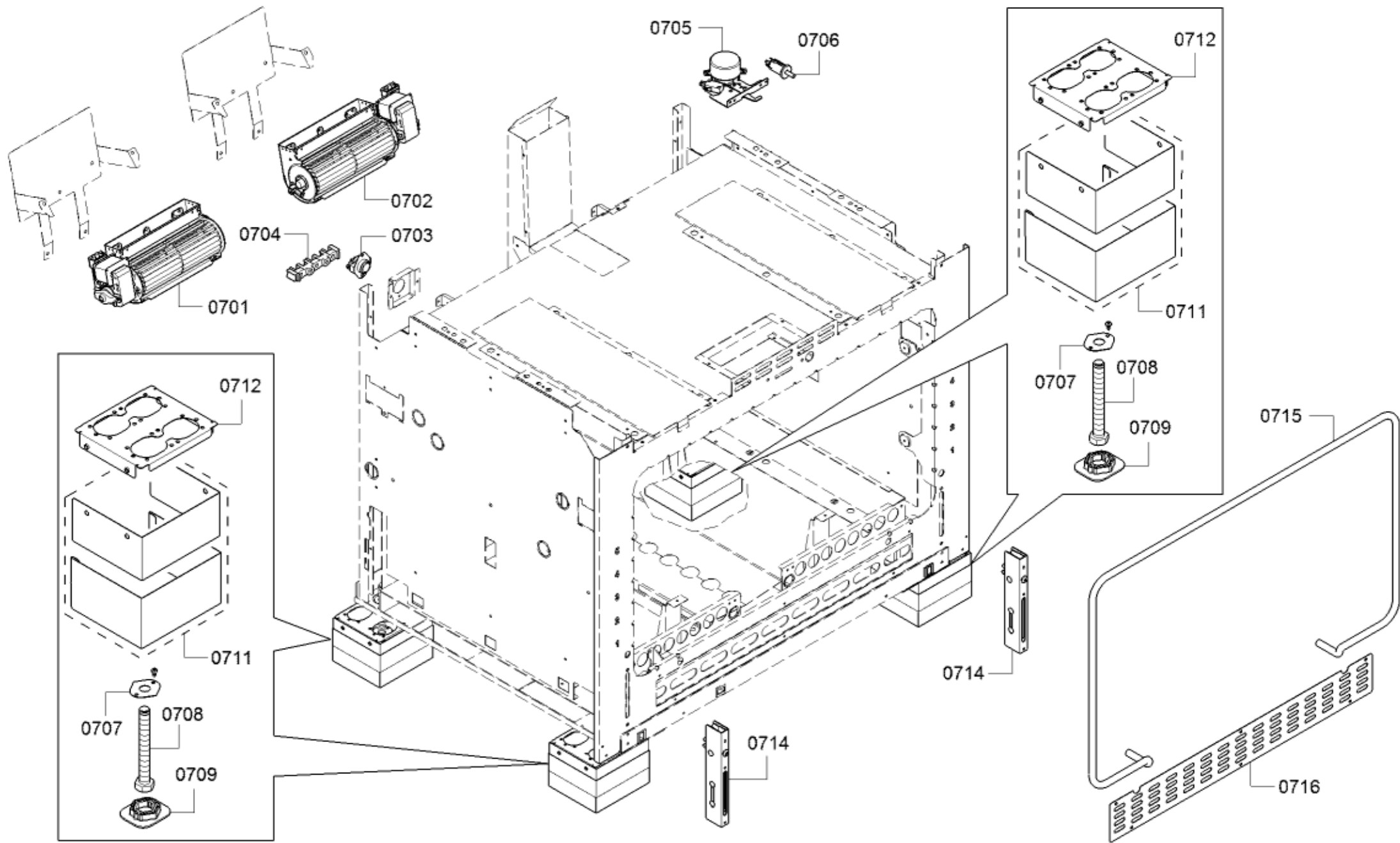




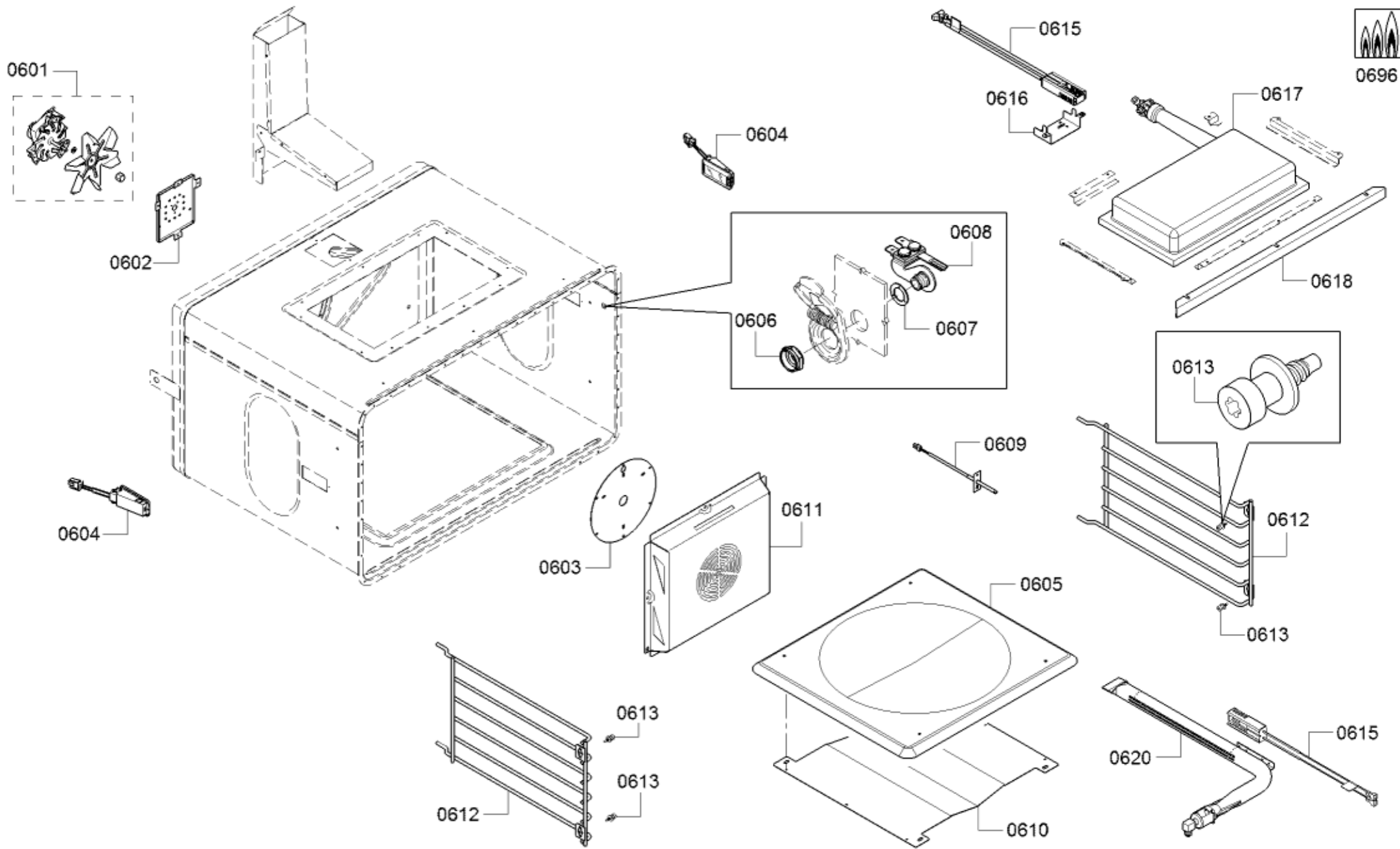
0199



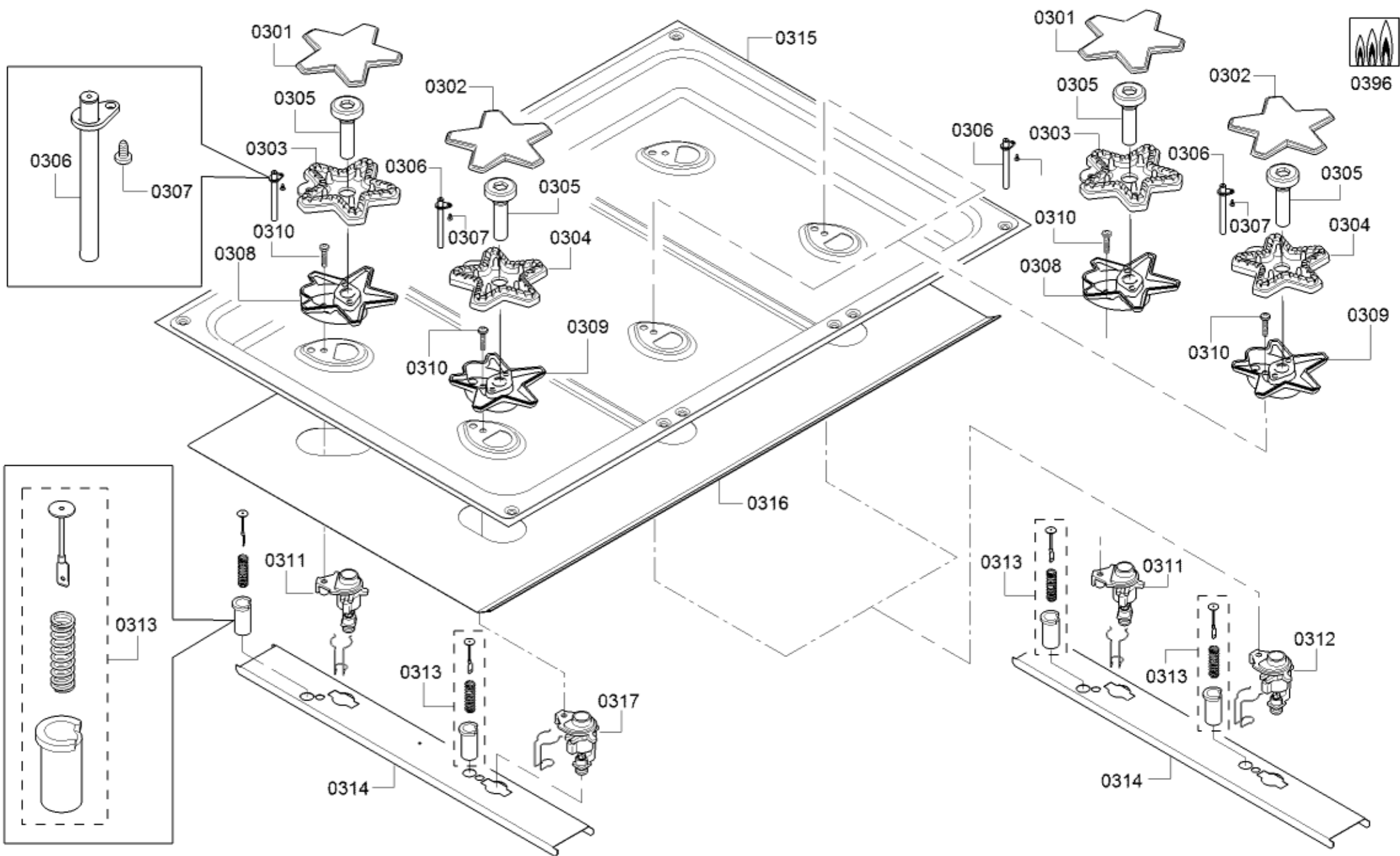
| Position ID | Part number. | Replaces: | Description |
|--------------------|---------------------|------------------|--------------------|
| 0101 | 00146136 | | Back wall panel |
| 0102 | 23000092 | | Back panel |
| 0103 | 00649417 | 00752161 | Cover |
| 0104 | 23000263 | | Panel side |
| 0105 | 23000264 | | Panel side |
| 0107 | 00619081 | | Connection piece |
| 0108 | 20000278 | | Panel |
| 0106 | 10013545 | | Latch |



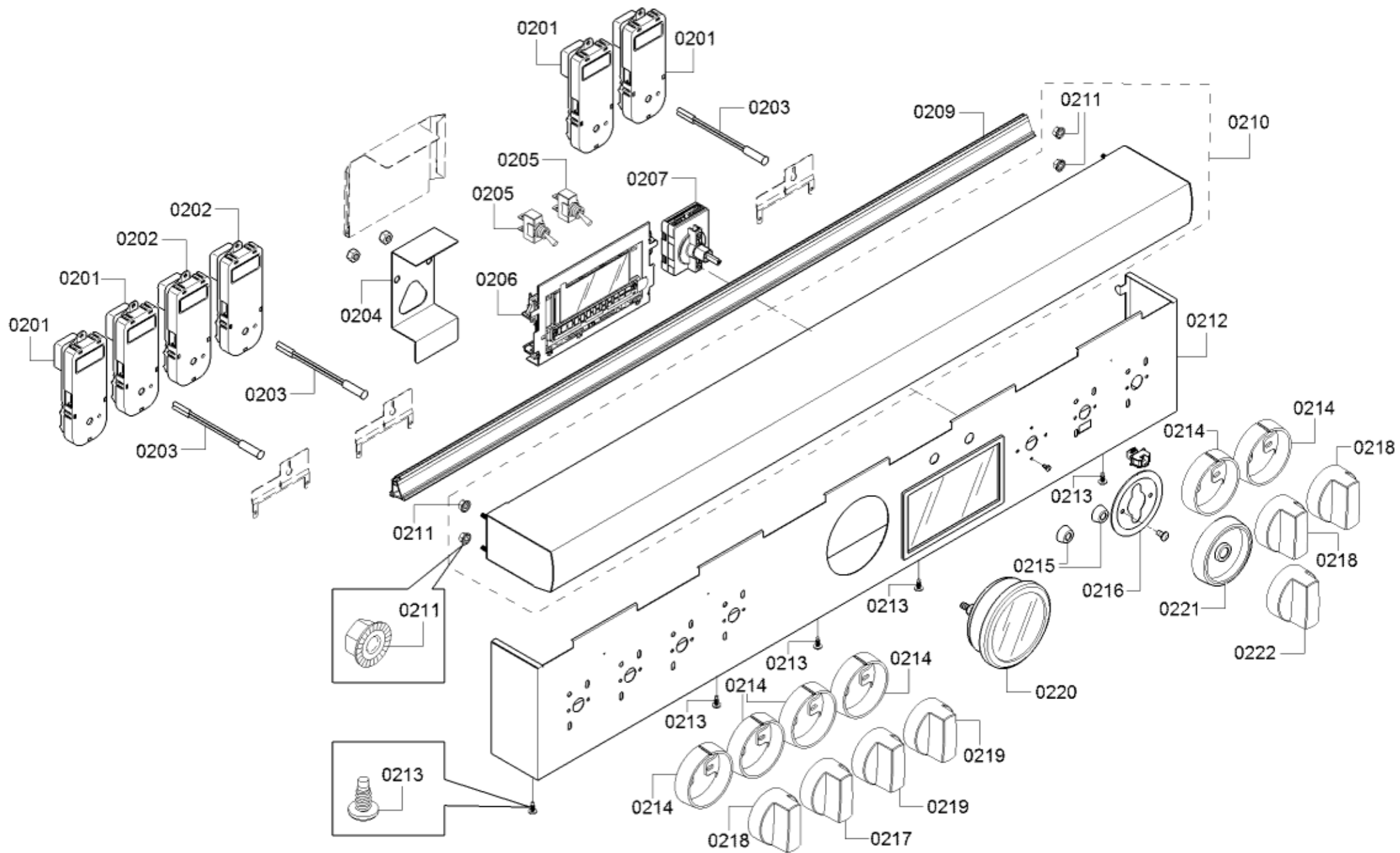
| Position ID | Part number. | Replaces: | Description |
|--------------------|---------------------|------------------|---------------------|
| 0702 | 00643600 | | Cooling Fan |
| 0703 | 10011167 | | Limiter-temperature |
| 0704 | 00628372 | | Terminal |
| 0705 | 00651285 | | Latch |
| 0706 | 00618400 | | Switch-door |
| 0707 | 10001186 | | Plate |
| 0709 | 10001351 | | Foot |
| 0712 | 12028141 | | Cover |
| 0715 | 20000145 | | Seal-door |
| 0716 | 12028598 | | Cover |
| 0730 | 00656311 | 00752651 | Power cord |
| 0708 | 10011170 | | Bolt |
| 0714 | 00655554 | | Receiver |
| 0711 | 10014059 | | Cover |
| 0701 | 10020211 | | Fan motor |



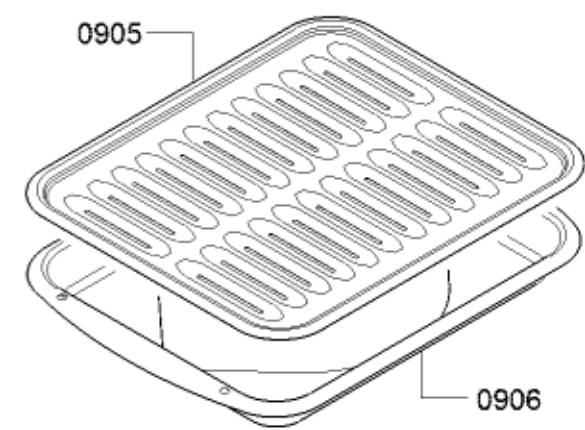
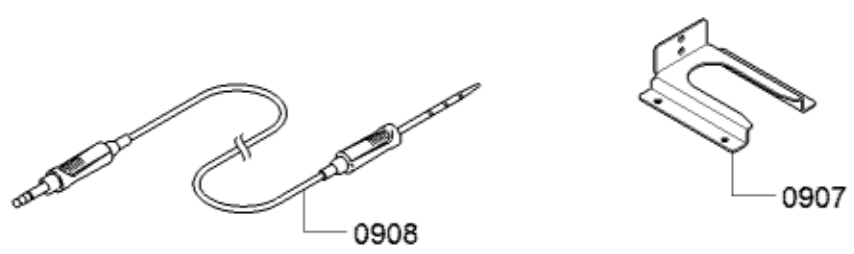
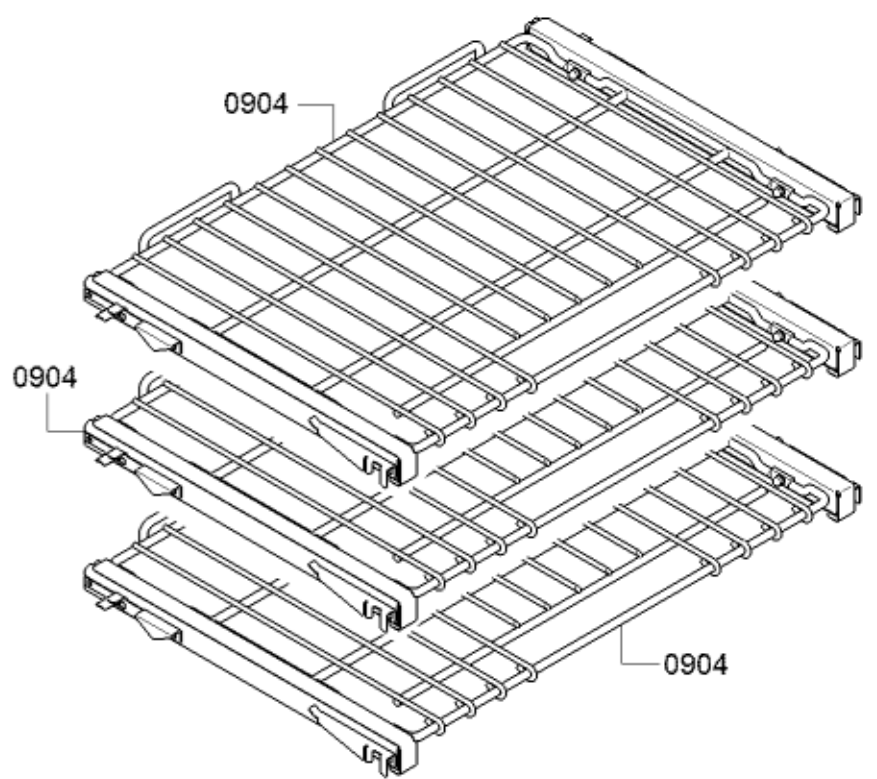
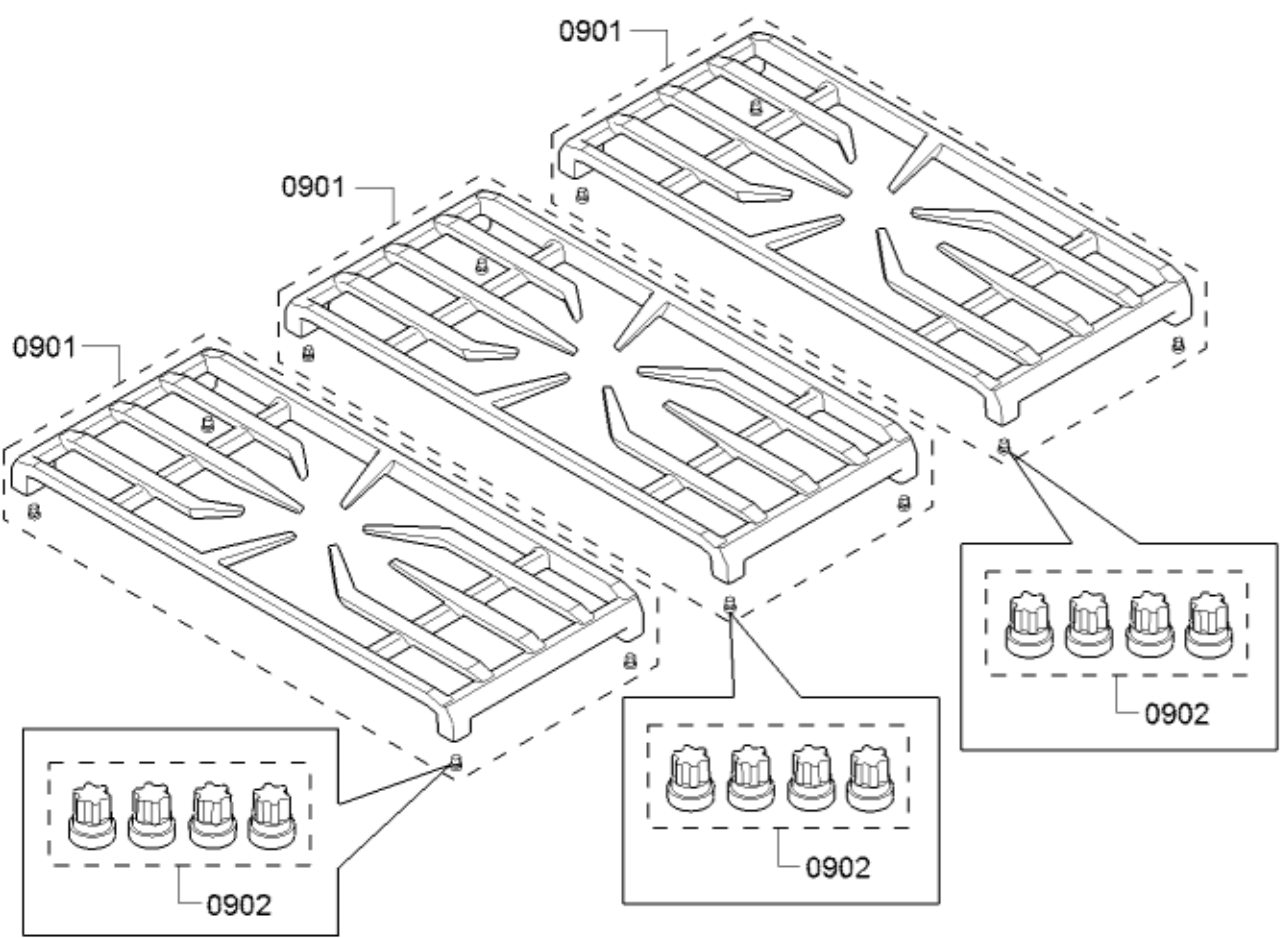
| Position ID | Part number. | Replaces: | Description |
|--------------------|---------------------|------------------|--------------------|
| 0601 | 00497756 | | Motor |
| 0602 | 00489178 | | Bracket |
| 0603 | 00479238 | | Cover |
| 0604 | 10007424 | | Lamp |
| 0605 | 23000287 | | Cover |
| 0606 | 10010225 | | Nut |
| 0607 | 10010208 | | Washer |
| 0608 | 10008183 | | Socket |
| 0609 | 00627375 | | Temperature sensor |
| 0610 | 11030966 | | Plate |
| 0611 | 20000143 | | Cover |
| 0612 | 11032546 | | Support |
| 0613 | 10011396 | | Bolt |
| 0614 | 12028136 | | Adapter |
| 0616 | 00600909 | | Bracket |
| 0617 | 11032929 | | Burner |
| 0618 | 00445814 | | Guide |
| 0620 | 11032930 | | Burner |
| 0615 | 00492431 | | Igniter |



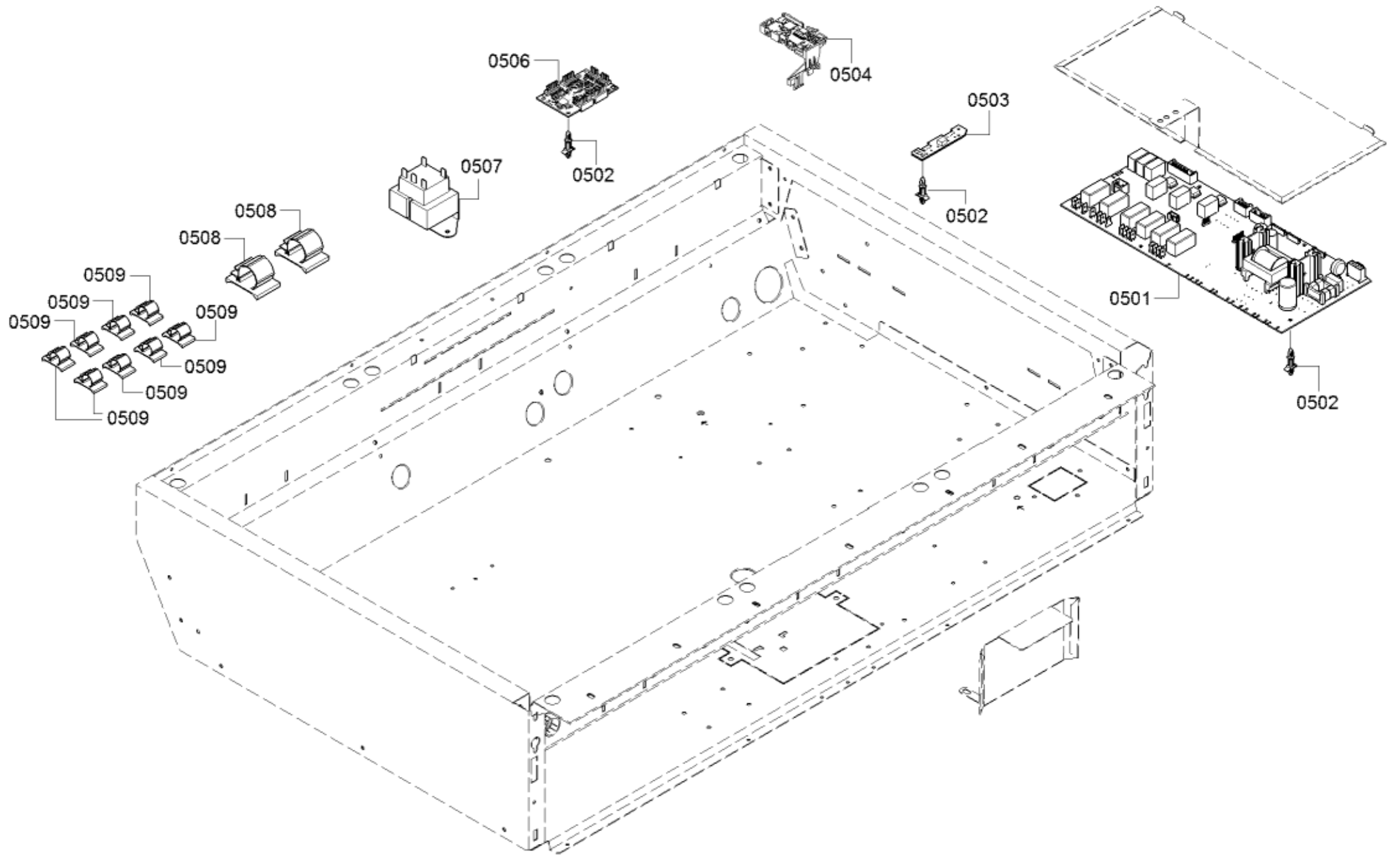
| Position ID | Part number. | Replaces: | Description |
|--------------------|---------------------|------------------|--------------------|
| 0301 | 10004490 | | Burner cap |
| 0302 | 10004489 | | Burner cap |
| 0303 | 10004493 | | Burner |
| 0304 | 10004492 | | Burner |
| 0305 | 10004495 | | Venturi nozzle |
| 0306 | 10006471 | | Electrode |
| 0307 | 10008211 | | Screw |
| 0308 | 10004498 | | Burner housing |
| 0309 | 10004497 | | Burner housing |
| 0310 | 10004531 | | Screw |
| 0311 | 10006793 | | Jet |
| 0312 | 10006797 | | Jet |
| 0313 | 12007259 | | Ignition device |
| 0314 | 00701902 | | Rail |
| 0315 | 00687135 | | Tray |
| 0316 | 12024444 | | Heat shield |
| 0317 | 10006795 | | Jet |



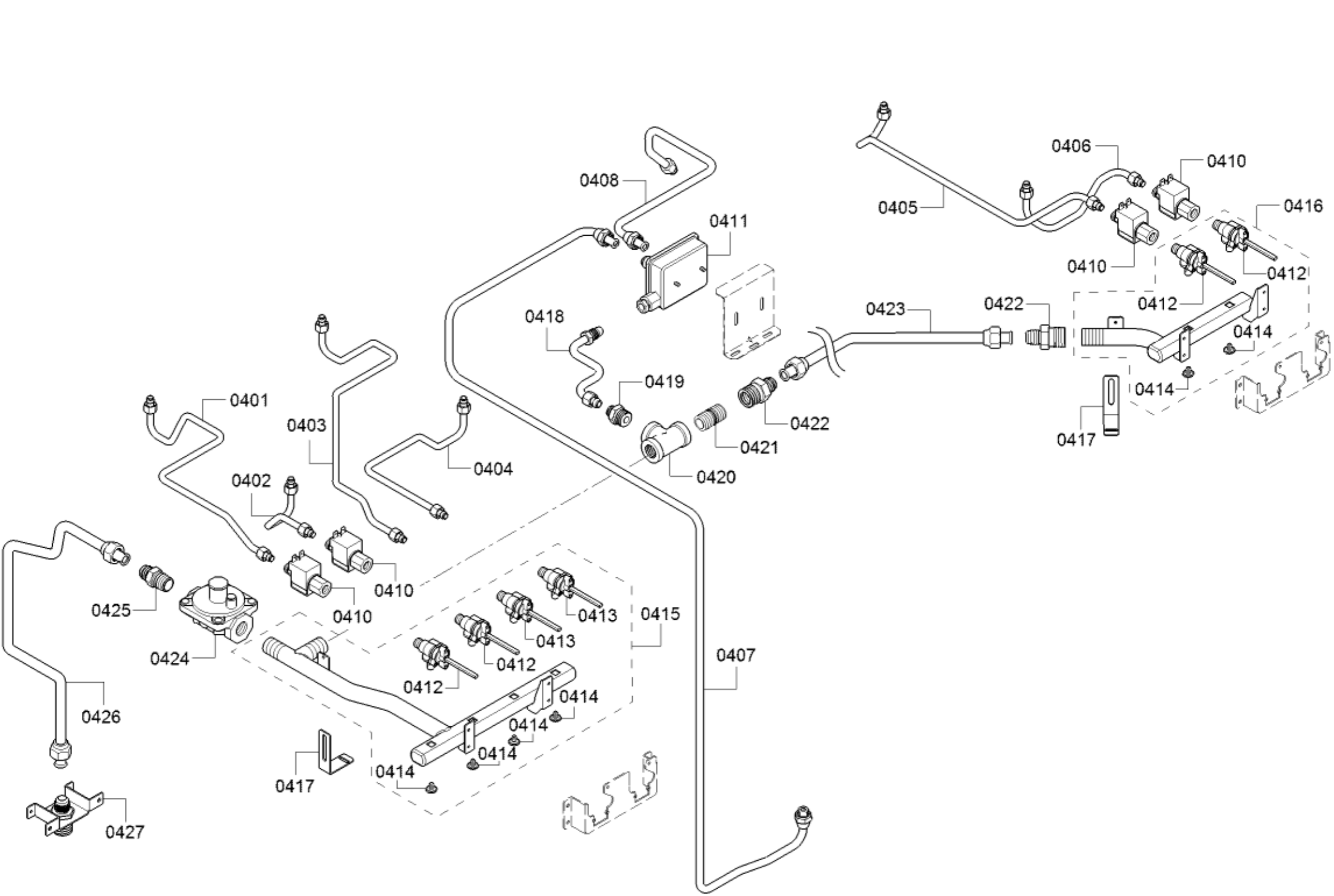
| Position ID | Part number. | Replaces: | Description |
|--------------------|---------------------|------------------|-------------------------------|
| 0201 | 12024418 | | Module-relay |
| 0202 | 12024417 | | Module-relay |
| 0203 | 00617931 | | Display |
| 0204 | 11032519 | | Bracket |
| 0204 | 12024418 | | Module-relay |
| 0205 | 00609115 | | Switch |
| 0206 | 11032495 | | Display module not programmed |
| 0207 | 10011872 | | Switch-selector |
| 0209 | 00687127 | | Light bar |
| 0210 | 23000467 | | Support |
| 0212 | 20000027 | | Panel-facia |
| 0213 | 10008212 | | Screw |
| 0214 | 10008201 | | Ring |
| 0215 | 00418122 | | Ring |
| 0216 | 10010231 | | Encoder |
| 0217 | 10011598 | | Knob |
| 0218 | 10008199 | | Knob |
| 0219 | 10008200 | | Knob |
| 0221 | 10011873 | | Ring |
| 0222 | 10010230 | | Knob |
| 0206 | 12028844 | | Display module programmed |
| 0211 | 00623615 | | Nut |
| 0220 | 12034239 | | Display-temperature |



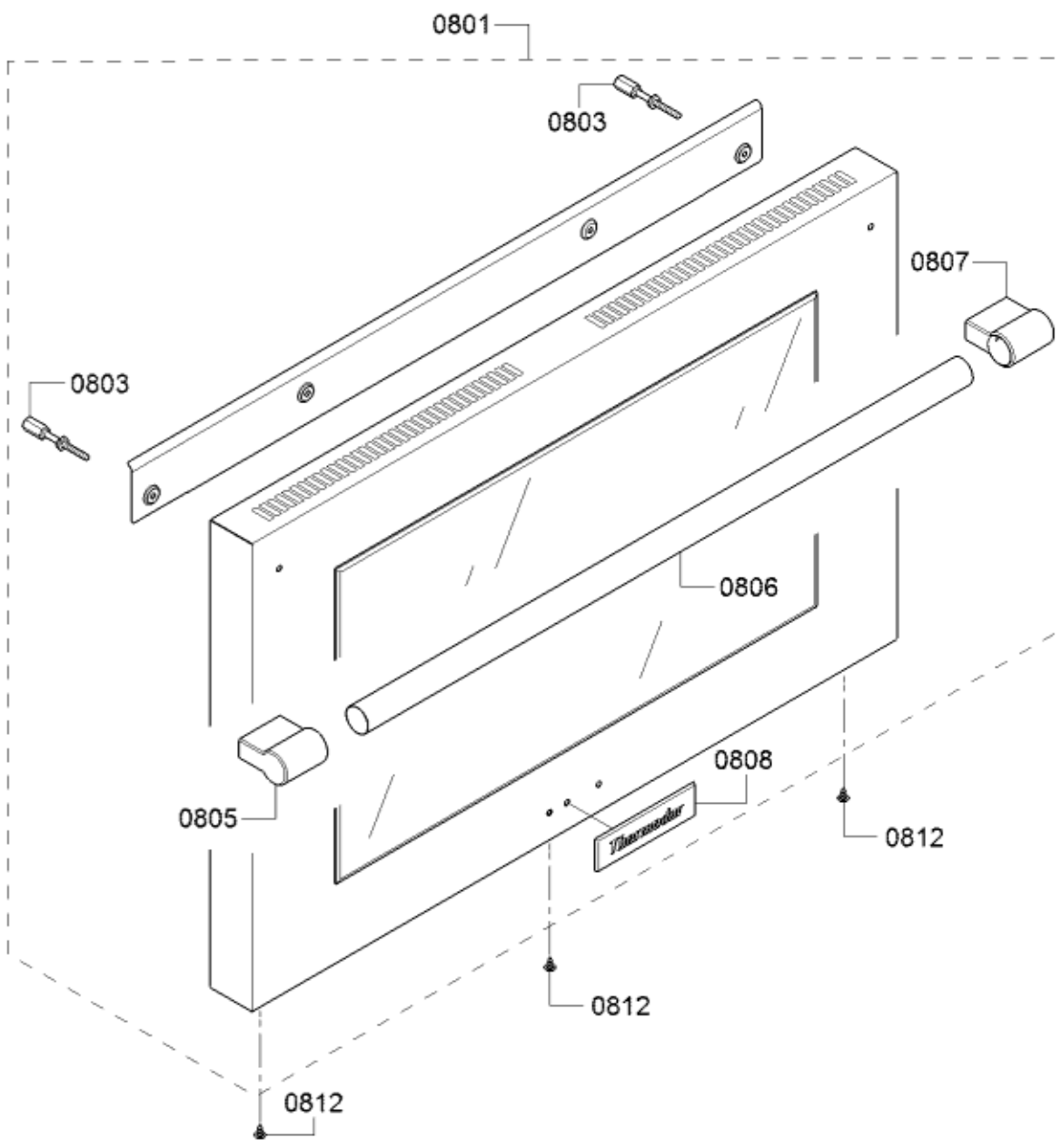
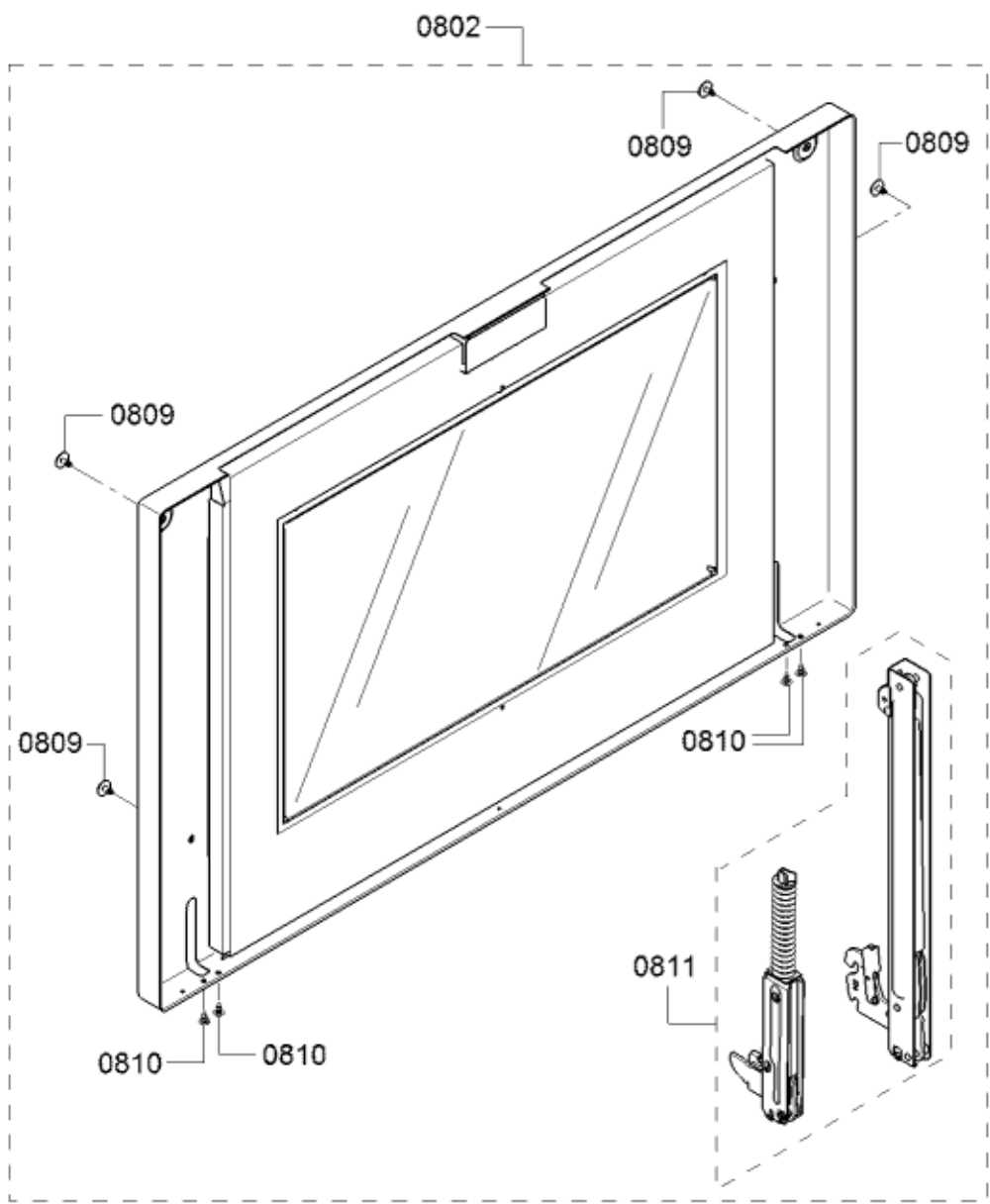
| Position ID | Part number. | Replaces: | Description |
|--------------------|---------------------|------------------|----------------------------|
| 0901 | 00145306 | | Grill grid |
| 0904 | 00774617 | | 36" Telescopic Rack |
| 0905 | 11013689 | | Grill tray |
| 0906 | 00484628 | 00449757 | Tray for Broiler Pan |
| 0907 | 10010207 | | Bracket |
| 0908 | 12022200 | | Sensor |
| 0902 | 00637940 | | Grate Foot Replacement Kit |



| Position ID | Part number. | Replaces: | Description |
|--------------------|---------------------|------------------|-------------------------------|
| 0501 | 11032521 | | Control module programmed |
| 0501 | 12025831 | | Control module not programmed |
| 0502 | 00418283 | | Support |
| 0503 | 12028138 | | Limiter-temperature |
| 0506 | 10005470 | | Control module |
| 0507 | 00489194 | | Transformer |
| 0508 | 10008933 | | Clip |
| 0509 | 10010202 | | Clip |
| 0510 | 10008207 | | Ignition cable |
| 0511 | 12024415 | | Ignition cable |
| 0512 | 12026846 | | Cable harness |
| 0513 | 12028596 | | Cable harness |
| 0514 | 12024414 | | Cable harness |
| 0515 | 12028039 | | Cable harness |
| 0516 | 12028077 | | Cable harness set |
| 0517 | 12026925 | | Cable harness |
| 0520 | 11032800 | | Cable harness |
| 0521 | 12028509 | | Cable harness |
| 0522 | 12024436 | | Cable harness |
| 0523 | 11032801 | | Cable harness |
| 0523 | 12028082 | | Cable harness |
| 0524 | 12028086 | | Adapter |
| 0525 | 12028597 | | Cable harness |
| 0504 | 12031987 | | Connectivity module |
| 0526 | 00423966 | | Cable strap |



| Position ID | Part number. | Replaces: | Description |
|--------------------|---------------------|------------------|-----------------------|
| 0401 | 11032438 | | Gas tap |
| 0402 | 11032439 | | Gas tap |
| 0403 | 11032863 | | Gas tap |
| 0404 | 11032862 | | Gas tap |
| 0405 | 11032440 | | Gas tap |
| 0406 | 11032441 | | Gas tap |
| 0407 | 11032877 | | Gas tap |
| 0408 | 11032878 | | Gas tap |
| 0410 | 00423093 | | Valve |
| 0411 | 00605061 | | Valve-two way |
| 0412 | 10003806 | | Valve |
| 0413 | 10009155 | | Valve |
| 0414 | 00420807 | | Screw |
| 0415 | 20000265 | | Manifold |
| 0416 | 20000140 | | Manifold |
| 0417 | 10009569 | | Bracket |
| 0418 | 11032879 | | Gas tap |
| 0419 | 00427661 | | Connection piece |
| 0420 | 00601543 | | Connection |
| 0421 | 10011560 | | Connection piece |
| 0422 | 10010270 | | Pipe connection piece |
| 0423 | 11032880 | | Gas tap |
| 0424 | 00754658 | | Regulator-pressure |
| 0425 | 10010200 | | Adapter |
| 0426 | 11032865 | | Gas tap |
| 0427 | 10011592 | | Extension for inlet |



| Position ID | Part number. | Replaces: | Description |
|--------------------|---------------------|------------------|--------------------|
| 0801 | 20000155 | | Door-outer |
| 0802 | 20000156 | | Door-inner |
| 0803 | 10010275 | | Screw |
| 0805 | 10011397 | | Handle-cap shaped |
| 0806 | 11032802 | | Handle-door |
| 0807 | 10011397 | | Handle-cap shaped |
| 0808 | 10010271 | | Plate |
| 0809 | 10010274 | | Screw |
| 0810 | 10008228 | | Screw |
| 0811 | 11032545 | | Hinge |
| 0812 | 00618862 | | Screw |