



REPLACEMENT PARTS/ORDER FORM

Document #: 4006

<input checked="" type="checkbox"/>	REF	DESCRIPTION	QTY	PART #
<input type="checkbox"/>	1	CABINET ASSEMBLY - LEFT	1	50003846
<input type="checkbox"/>	2	CABINET ASSEMBLY - RIGHT	1	50003847
<input type="checkbox"/>	3	DOOR ASSEMBLY	1	50003621
<input type="checkbox"/>	4	BASE ASSY - <u>THROUGH DEALER ONLY</u>	1	50003732
<input type="checkbox"/>	5	GREASE PAN	1	50001842B
<input type="checkbox"/>	6	FLASH TUBE	1	50000879B
<input type="checkbox"/>	7	BURNER GASKET	4	50000892
<input type="checkbox"/>	8	BURNER ASSEMBLY - LONG ELEC.	2	50003133
<input type="checkbox"/>	9	BURNER ASSEMBLY - SHORT ELEC.	2	50003100
<input type="checkbox"/>	10	ELECTRODE - MAIN - SHORT	2	50000431
<input type="checkbox"/>	11	ELECTRODE - MAIN - LONG	2	50000523
<input type="checkbox"/>	12A	VALVE ASSY - LP - <u>THROUGH DEALER ONLY</u>	1	50003583
<input type="checkbox"/>	12B	VALVE ASSY - NG - <u>THROUGH DEALER ONLY</u>	1	50003584
<input type="checkbox"/>	13	REGULATOR ASSY LP - <u>THROUGH DEALER</u>	1	50003815
<input type="checkbox"/>	15	12' HOSE NG - <u>THROUGH DEALER ONLY</u>	1	50000198
<input type="checkbox"/>	16	HEAT PLATE (S. STEEL)	4	50000777
<input type="checkbox"/>	17	COOKING GRIDS (ENAMEL) - SET OF 3	1	VCCG1A
<input type="checkbox"/>	18	ROTISSERIE ASSEMBLY	1	50003500
<input type="checkbox"/>	19A	TUBE & ORIFICE ASSEMBLY - LP	1	50003816
<input type="checkbox"/>	19B	TUBE & ORIFICE ASSEMBLY - NG	1	50003817
<input type="checkbox"/>	22	CONSOLE PRINTER VC4006	1	50003588
<input type="checkbox"/>	23	CONSOLE REINFORCEMENT	1	50003586B
<input type="checkbox"/>	24	PUSH BUTTON IGNITER	1	50001011
<input type="checkbox"/>	25	IGNITER KIT - Push button not included	1	50001619
<input type="checkbox"/>	26	WIRING HARNESS	1	50003849
<input type="checkbox"/>	27	BEZEL ASSEMBLY - BACKLIT	5	50003002
<input type="checkbox"/>	28	KNOB ASSEMBLY - BACKLIT	5	50003003
<input type="checkbox"/>	29	REAR LID ASSY - Also send p/n 50000355.	1	50003514
<input type="checkbox"/>	30	FRONT LID ASSY - Also send p/n 50000355.	1	50003641
<input type="checkbox"/>	31	TEMPERATURE GAUGE	1	50001643
<input type="checkbox"/>	32	HANDLE GRIP SET - CHARCOAL	1	50000642
<input type="checkbox"/>	33	LID BUMPERS (SET OF 6)	1	50000365
<input type="checkbox"/>	34	PIVOT PIN & BOLT SET Send with lid assembly	1	50000355
<input type="checkbox"/>	35	WARMING RACK	1	50000802
<input checked="" type="checkbox"/>	REF	DESCRIPTION	QTY	PART #



REPLACEMENT PARTS/ORDER FORM

Document #: 4006

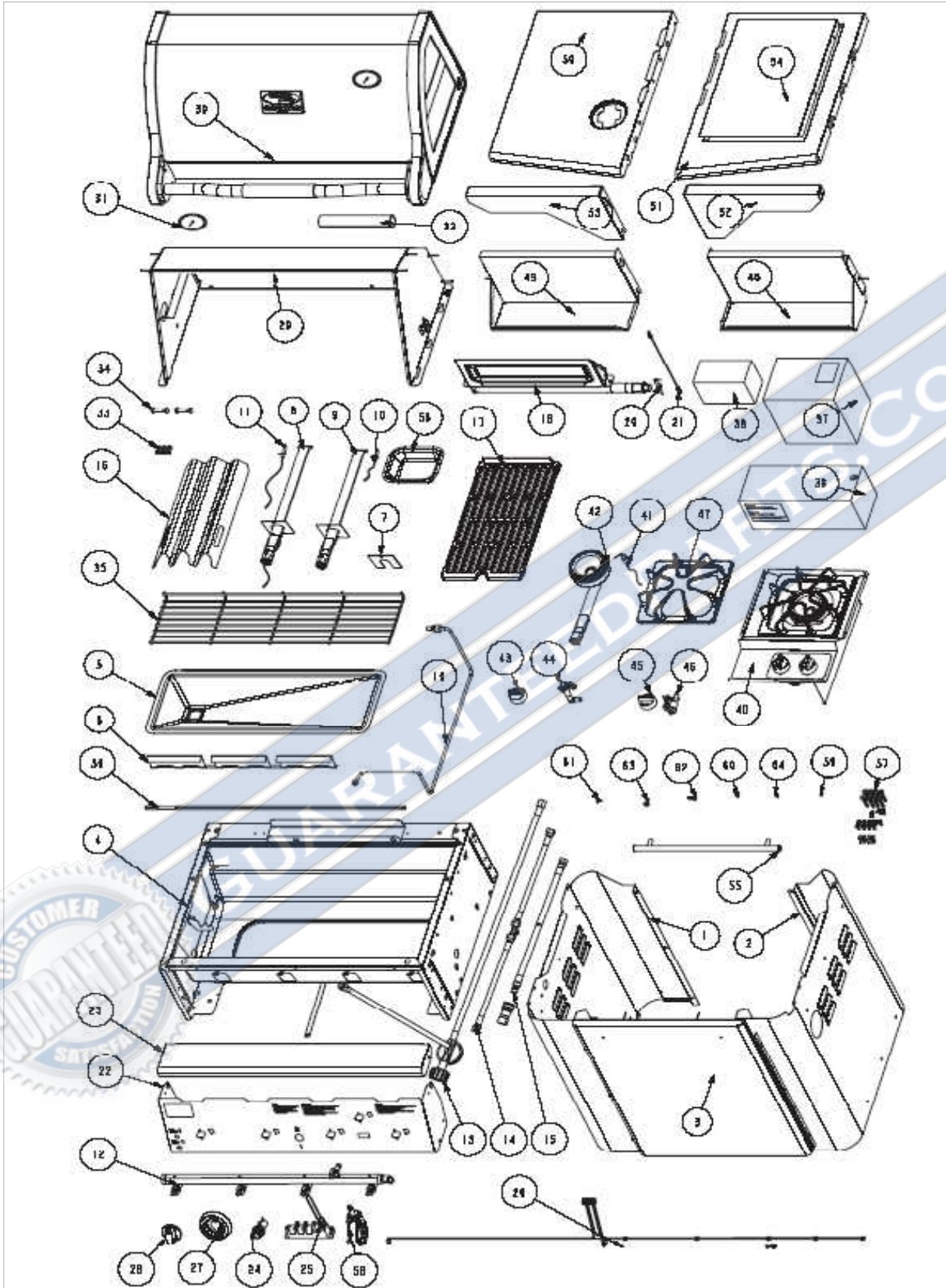
<input type="checkbox"/>	36	SHELF LIGHT ASSEMBLY	1	50003669
<input type="checkbox"/>	37	ROTISSERIE KIT	1	50003116
<input type="checkbox"/>	38	ROTISSERIE MOTOR	1	50000161
<input type="checkbox"/>	39	ROTISSERIE SPIT ROD	1	50000286
<input type="checkbox"/>	40	SIDE BURNER ASSY - THROUGH DEALER ONLY	1	50003563
<input type="checkbox"/>	41	SIDE BURNER ELECTRODE	1	50000115
<input type="checkbox"/>	42	SIDE BURNER - BURNER	1	50001044
<input type="checkbox"/>	43	SIDE BURNER CONTROL KNOB	1	50000113
<input type="checkbox"/>	44A	S. BURNER VALVE LP - THROUGH DEALER	1	50001046
<input type="checkbox"/>	44B	S. BURNER VALVE NG - THROUGH DEALER	1	50001045
<input type="checkbox"/>	45	SIDE BURNER IGNITOR KNOB	1	50000070
<input type="checkbox"/>	46	SIDE BURNER ROTARY IGNITOR	1	50000111
<input type="checkbox"/>	47	SIDE BURNER GRATE	1	50001035
<input type="checkbox"/>	48	CONDIMENT TRAY - RIGHT	1	50003679
<input type="checkbox"/>	49	CONDIMENT TRAY - LEFT	1	50003680
<input type="checkbox"/>	50	SHELF, LEFT	1	50003598
<input type="checkbox"/>	51	SHELF, RIGHT	1	50003581
<input type="checkbox"/>	52	REAR TABLE SUPPORT - LEFT	1	50001418
<input type="checkbox"/>	53	REAR TABLE SUPPORT - RIGHT	1	50001419
<input type="checkbox"/>	54	SIDE BURNER LID ASSY	1	50003558
<input type="checkbox"/>	55	HANDLE DOOR	1	50003577
<input type="checkbox"/>	56	GREASE CUP	1	50001845
<input type="checkbox"/>	57	HARDWARE BAG	1	50003681
<input type="checkbox"/>	58	CASTER 3" X 7/8"	4	50003068
<input type="checkbox"/>	65	DELUXE BBQ COVER VCS4006	1	VCDC4S

CARTON CONTENTS:

<input type="checkbox"/>		KIT - CONDIMENT TRAY	1	50003749
<input type="checkbox"/>		KIT - MAIN PARTS	1	50003819
<input type="checkbox"/>		KIT - SHELF LIGHT ASSEMBLY	1	50003669
<input type="checkbox"/>		KIT - ROTISSERIE	1	50003116
<input type="checkbox"/>		KIT - SIDE BURNER ASSEMBLY	1	50003563

GUARANTEEDPARTS.COM







GUARANTEEDPARTS.COM





GUARANTEEDPARTS.COM

