



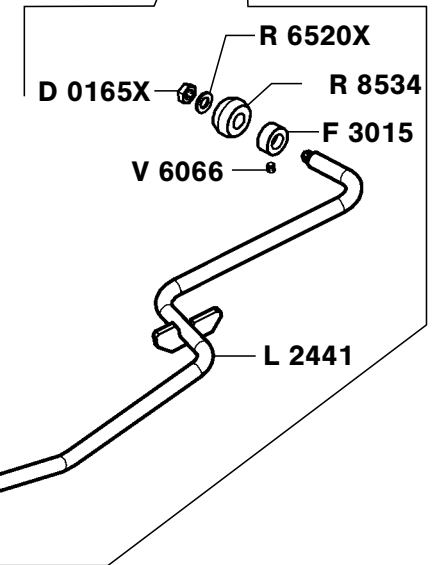
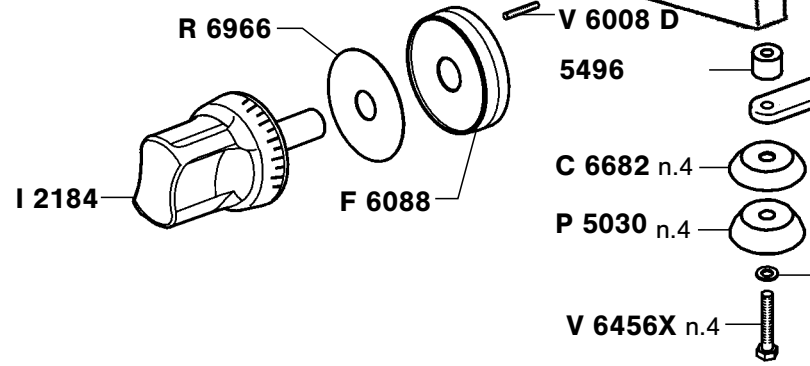
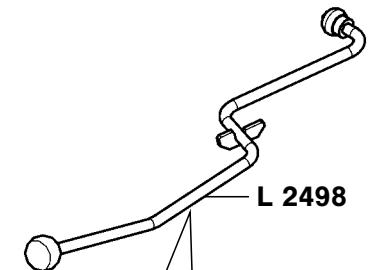
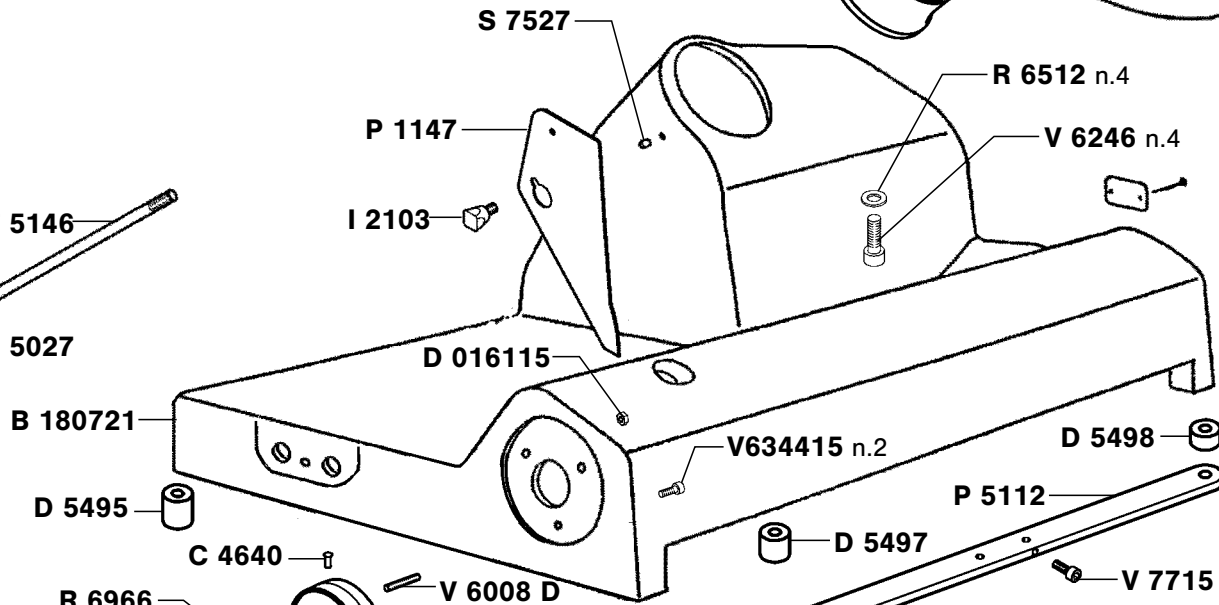
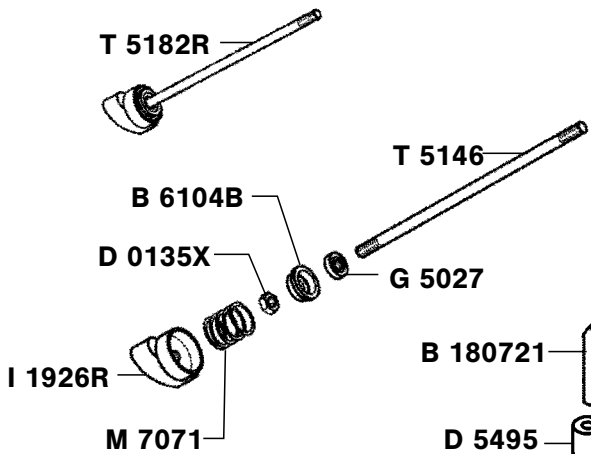
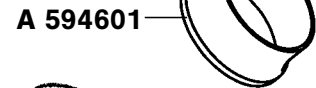
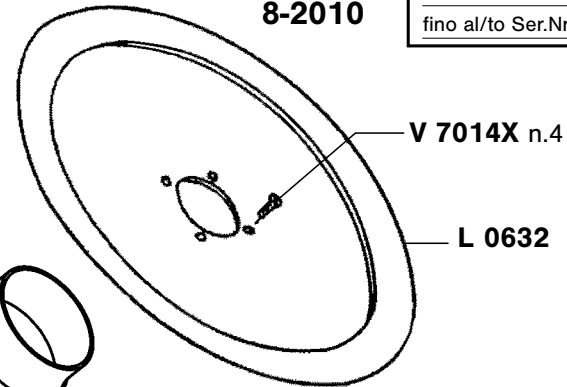
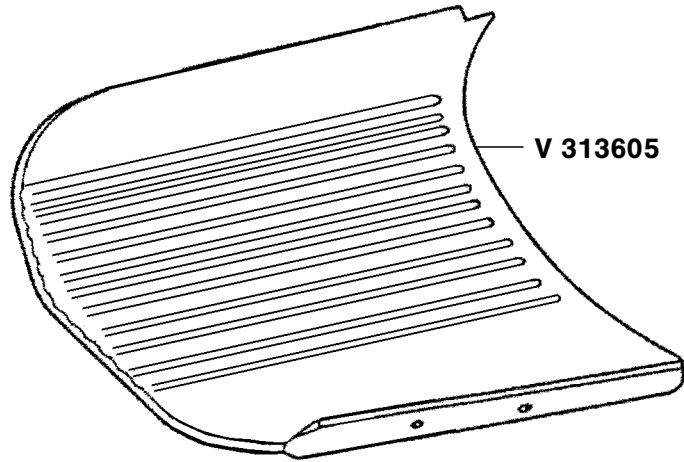
GRAVITY FEED SLICERS
TRANCHEURS A' CHARCUTERIE

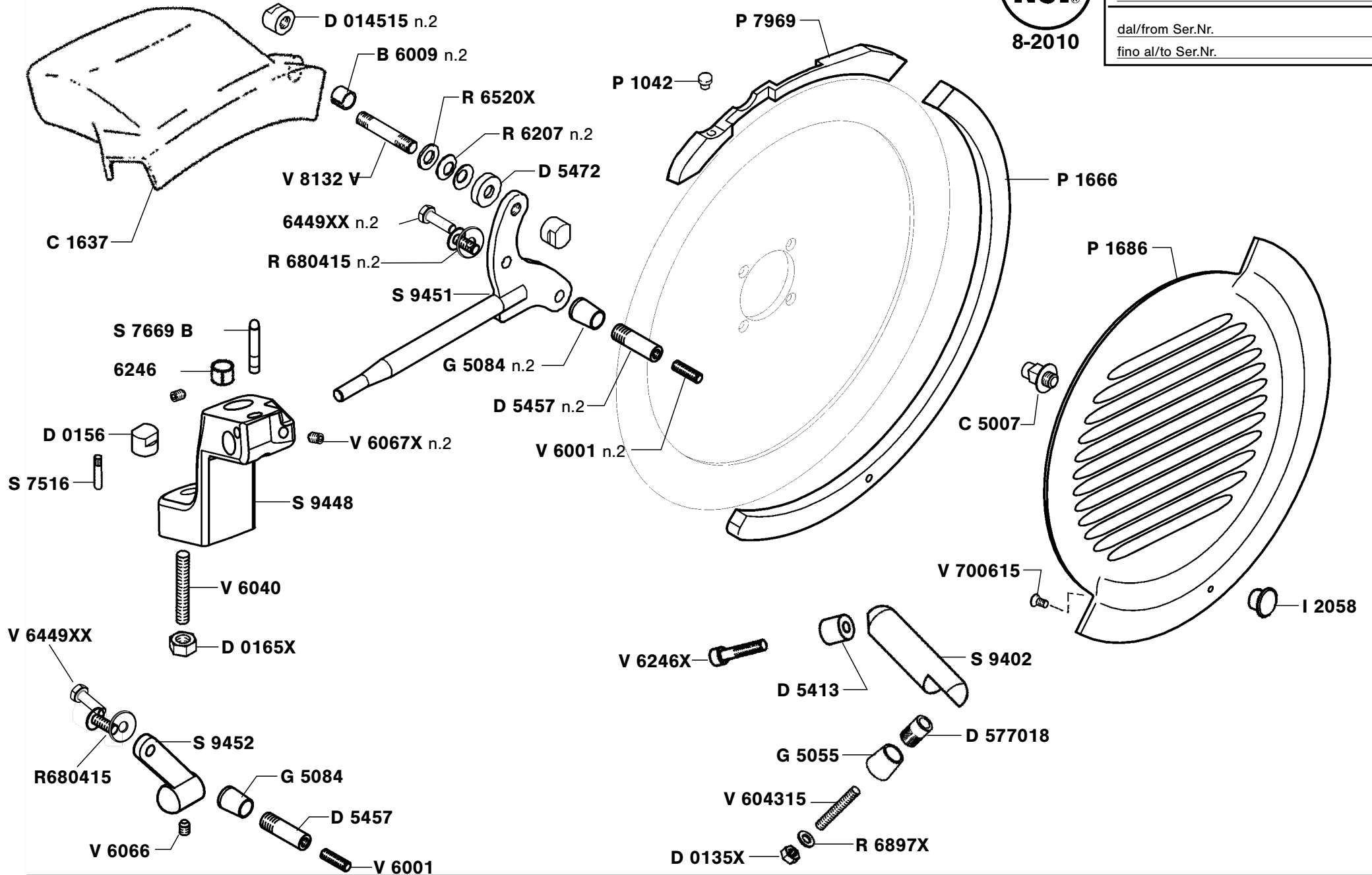


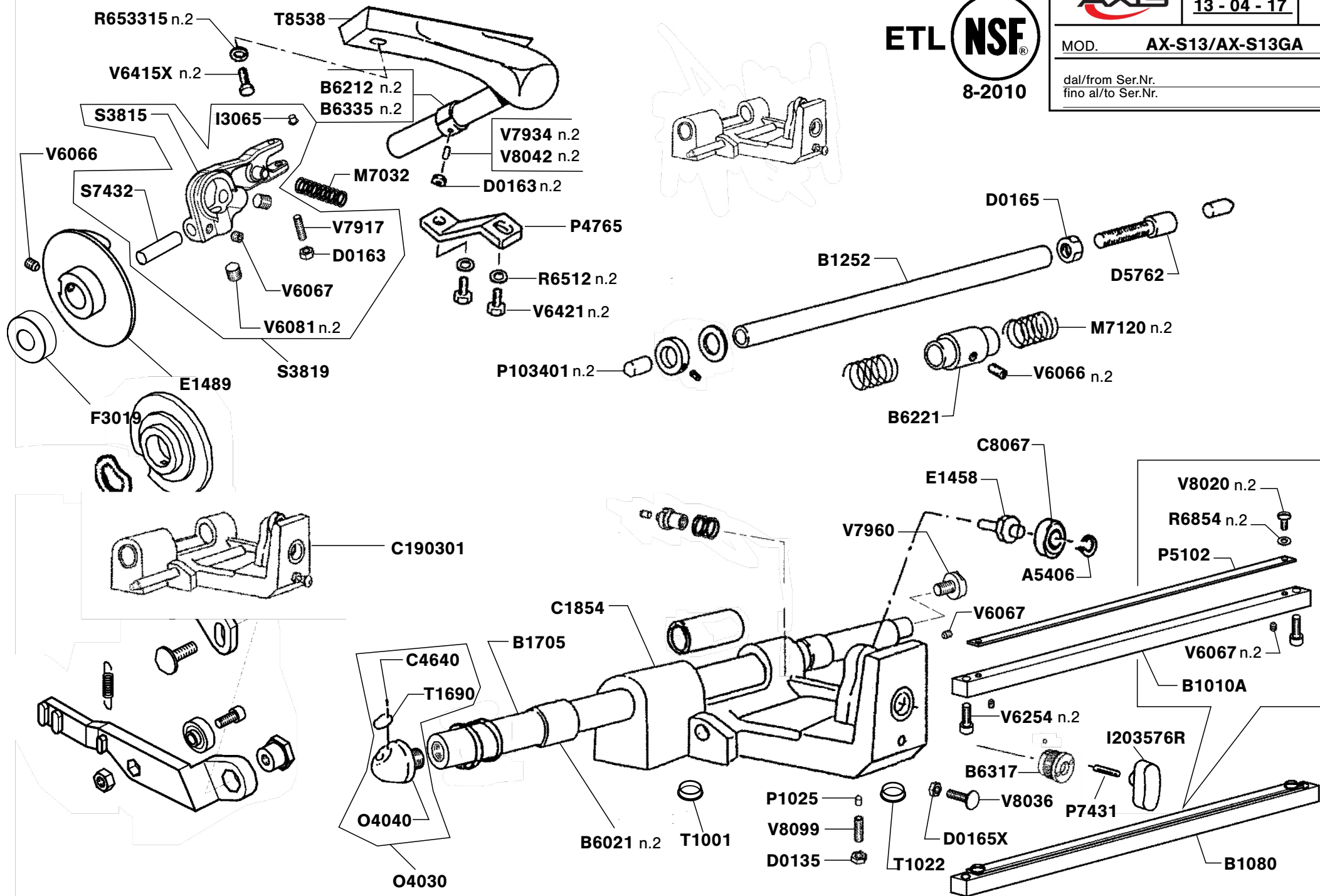
AX-S13G

SPARE PARTS LIST

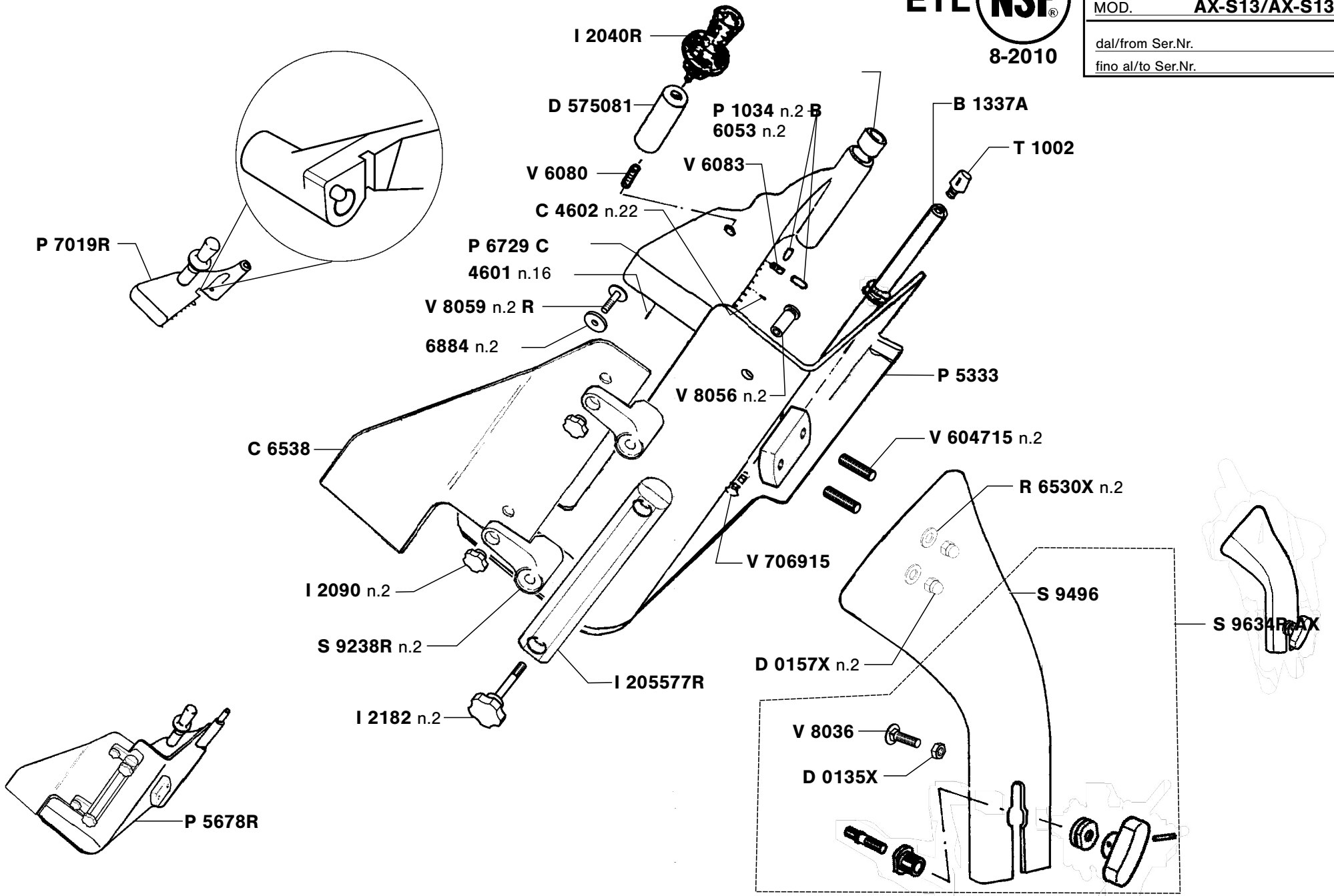
MOD.	AX-S13G
dal/from Ser.Nr.	
fino al/to Ser.Nr.	







MOD.	AX-S13/AX-S13GA
dal/from Ser.Nr.	
fino al/to Ser.Nr.	



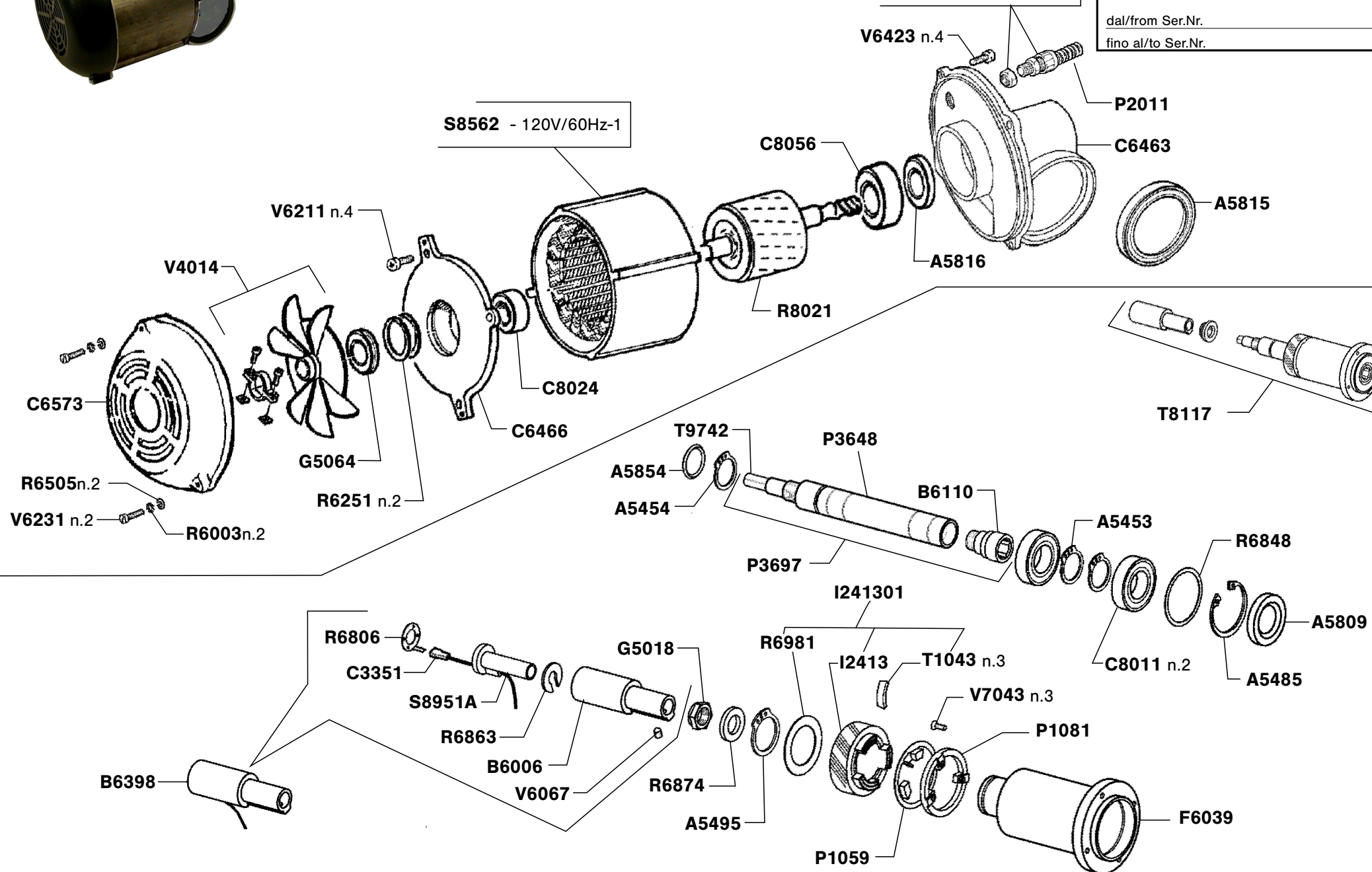


M8246

- 120V/60Hz-1

P2015 - AX-S13
P2009 - AX-S13GA

S8562 - 120V/60Hz-1



ETL NSF
8-2010

MOD. **AX-S13G**

dal/from Ser.Nr. _____
fino al/to Ser.Nr. _____

IMP.TO EL.120V/60Hz

