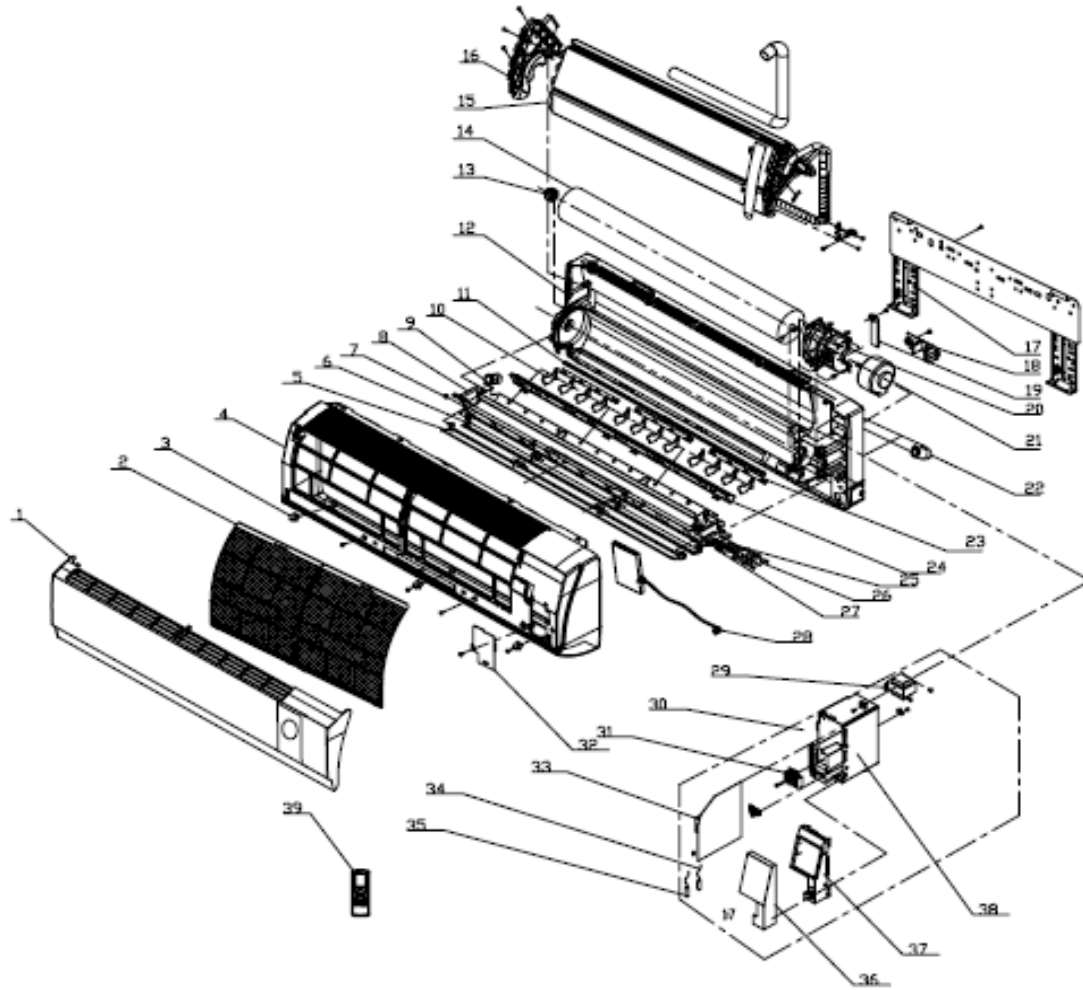


**ComfortStar USA**  
**Parts Breakdown**  
**CHH024CD-13B (Indoor)**  
208 - 230V / 1-Ph / 60 Hz



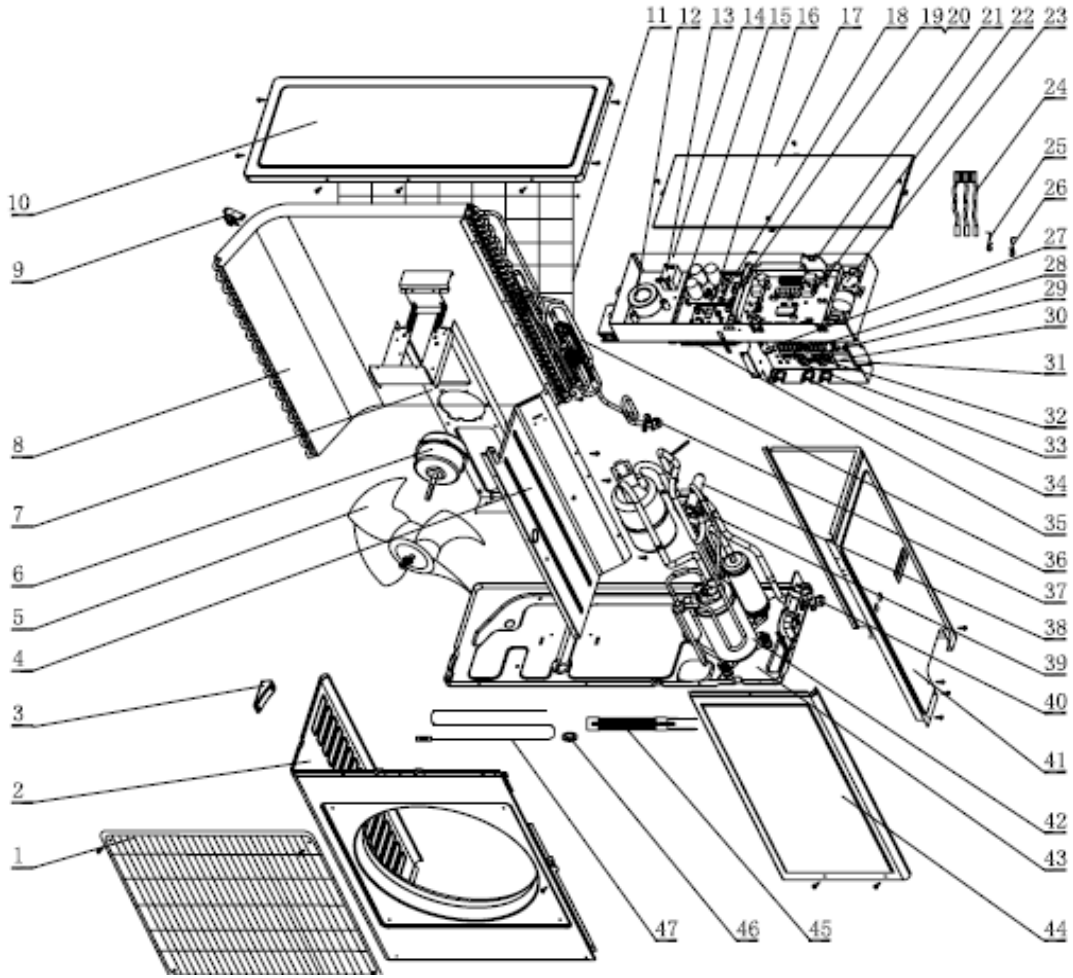
**JM072513\_RevD**

**ComfortStar USA**  
**Parts Breakdown**  
**CHH024CD-13B (Indoor)**  
**208 - 230V / 1-Ph / 60 Hz**

Item #	Part No.	Part Description	Comments
1	2000284405	Front Panel Assy	
2	11122048	Filter Sub-Assy	
3	24252015	Screw Cap	
4	200026529	Front Case	
5	10512085	Upper Air Deflector	
6	10512086	Lower Guide Louver	
7	10542704	Axile Bush	
8	20182091	Water Tray Assy	
9	76712012	Water Tray Glue Plug	
10	105120472	Air Louver	
11	10582057	Swing Lever	
12	22202070	Rear Case Component	
13	76512051	O-Gasket sub-assy of Bearing	
14	10352022	Blower Wheel	
15	010022362	Evaporator Coil Assy	
16	24212067	Evaporator Support	
17	01252004	Wall Mounting Frame	
18	24242001	Pipe Clamp	
19	26112096	Pipe Clamp	
20	26112095	Motor Press Plate	
21	150120674	Blower Motor	FN20M
22	0523001405	Drainage hose	
23	10582451	Swing Louver a	
24	26252009	Helicoid tongue	
25	10562004	Upper Crank	
26	10562005	Lower Crank	
27	15212117	Step Motor	MP35XY
28	30545552	Display Board	JB7613BJ
29	43110257	Transformer	57X25F
30	2010247905	Electric Box Assy	
31	42011233	4-bit Terminal Block	
32	201120201	Electric Box Cover	
33	30139006	Main PCB (indoor)	M9SB2GJ
34	390000451	Room Temperature Sensor	
35	390000595	Coil Temp Sensor	
36	01592038	Upper Shieldof Electric Box	
37	201120191	Electric Box Cover	
38	201120181	Electric Box	
39	30511011	Remote Control YB1B4AF	YB1B4AF

**JM072513\_RevD**

**ComfortStar USA**  
**Parts Breakdown**  
**CHH024CD-13B (Outdoor)**  
208 - 230V / 1-Ph / 60 Hz



**JM072513\_RevD**

**ComfortStar USA**  
**Parts Breakdown**  
**CHH024CD-13B (Outdoor)**  
**208 - 230V / 1-Ph / 60 Hz**

Item #	Part No.	Part Description	Comments
1	01433011	Encloser	
2	26235401	Small Handle	
3	01233039	Clapboard Assy	
4	10335253	Fan Blade	
5	15013704	Fan Motor	FW60H
6	01703087	Motor Support Sub-Assy	
7	0110391001	Condenser Assy	
8	24213005	Temp Sensor Support	
9	01255013P	Top Cover	
10	01475252	Mesh Enclosure	
11	<b>43120011</b>	<b>Reactor (PFC Coil)</b>	<b>300uH+300uH / 40A</b>
12	44020320	Relay	841-S-1A-D 200 / 240V TUV
13	02603047	Electric Box Assy	
14	24213008	Module Support	
15	none	PCB JGP011	
16	01403629	Electric Box Cover Sub-Assy	
17	<b>30138036</b>	<b>Drive Board</b>	<b>AP2 (W9W2)</b>
18	24213029	PCB Support (up)	
19	24213010	Module Support Cap	
20	24213009	PCB Support	
21	<b>30138034</b>	<b>Main board (outdoor)</b>	<b>AP1 (W9W2C)</b>
22	none	Filtering Board W9W2	W9W2
24	3900028001	Temperature Sensors (set of 3)	Ambient, Coil, Comp Discharge together.
25	42020063	Sensor Insert	
26	33010027	Capacitor CBB611A(3uF/450V)	CBB61 3uF/450V
27	42010255	Terminal Block	
28	42010157	Terminal	
29	<b>43130008</b>	<b>Filter 250VAC/20A</b>	<b>250VAC/20A (ESFQ-16TT-03)</b>
30	71010102	Fixed Clamp	
31	70410523	Isolation Washer	
32	71010003	Fixed Clamp	
33	76515202	Cable-Cross Loop	
34	49010252	Radiator	
35	03103548	Capillary Sub-Assy	
36	07130209	Cut-off Valve (3/8)	3/8" (R410a)
37	43000411	4-way Valve	
38	4300040045	Magnet Coil (4-way Valve)	
39	07103030	Gas Valve Sub-Assy (5/8)	5/8"
40	01302005	Rear Side Plate Sub-Assy	
41	00103051	Compressor	C-6RZ146H1B
42	01203634P	Base Plate Sub-Assy	
43	01302007	Front Side Plate	
44	7651300402	Electric heater(compressor)	
45	06813401	Choke Plug	
46	765100041	electrical heater for base	

**JM072513\_RevD**