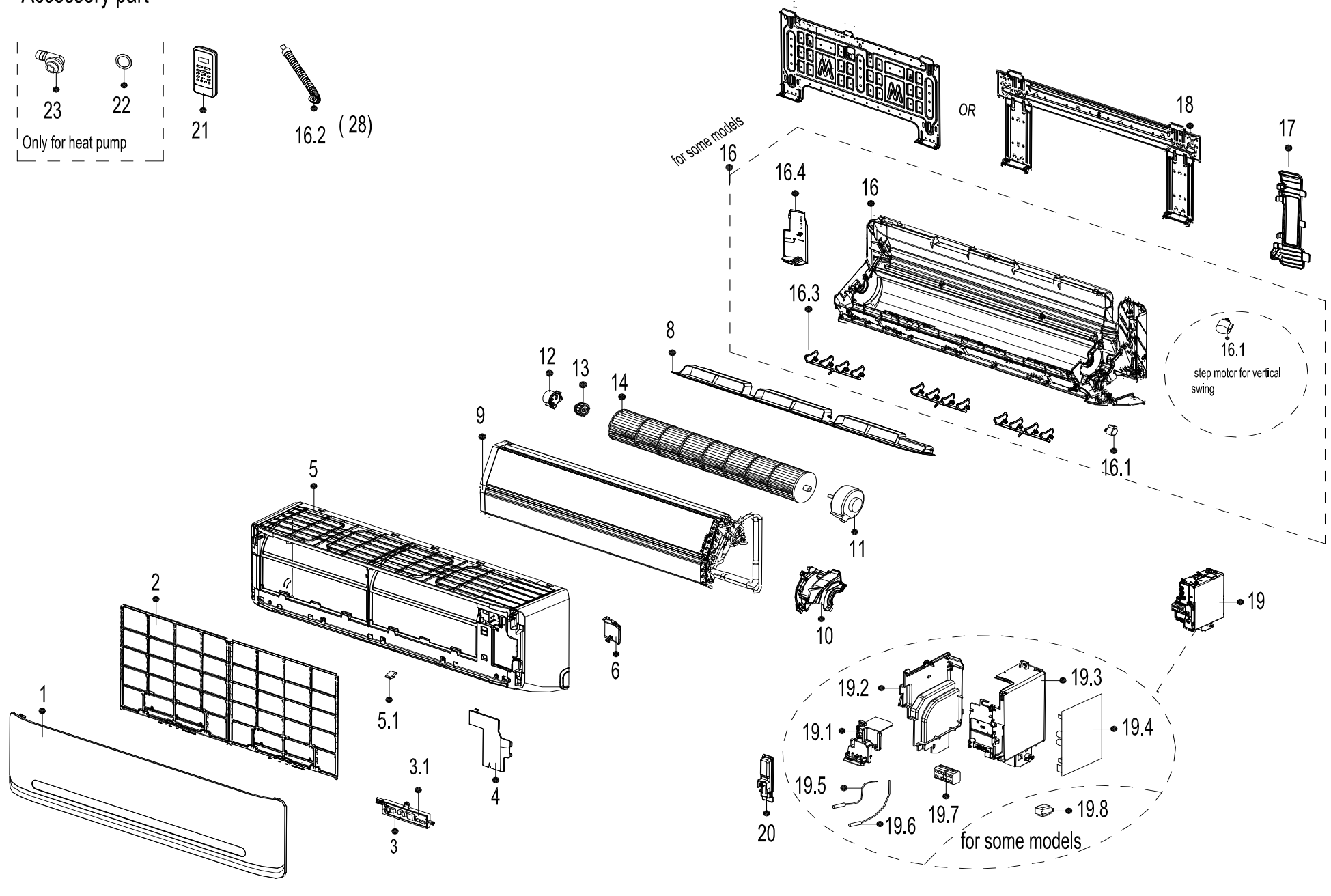
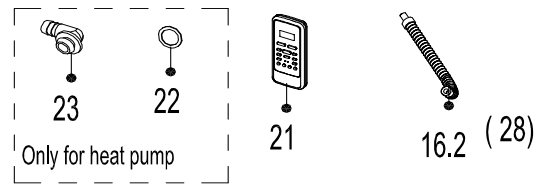
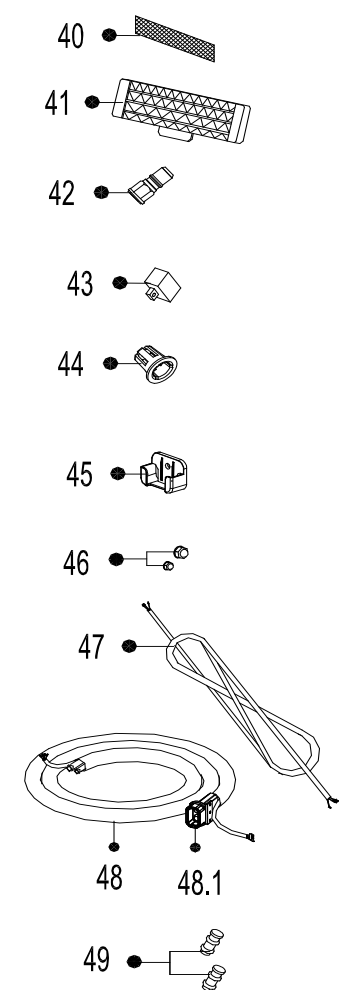


Accessory part



Optional part



No.	Part Name	Quantity	PART#	Remark
1	Panel Assembly	1	12122000A67243	
2	Air Filter	2	A32891883	
3	Display Box Subassembly	1	17222000A51532	
3.1	Display Board Subassembly	1	17122000A08523	
4	Cover Of Electrical Equipment	1	12122000006755	
5	Panel Frame Assembly	1	A32891885	
6	Front Cover Of Chassis	1	A32891886	
8	Horizontal Louver1	1	A32891884	
9	Evaporator Assembly	1	15822000A16983	
10	Fan Motor Cover	1	A32891882	
11	Brushless Dc Motor	1	N00300517	
12	Bearing Holder	1	12122000000350	
13	Bearing Base	1	12622000000006	
14	Cross Flow Fan	1	A00200346	
16	Chassis Assembly	1	12122000A26278	
16.1	Stepper Motor	1	N00210021	
16.3	Horizontal Louver2	3	A32891928	
16.4	Front Cover Of Chassis(Left )	1	A32891893	
17	Pipe Clamp Board	1	12122000012941	
18	Installation Plate	1	B32800108	
19	Electronic Control Box Subassembly (Mid-And Low-End)	1	17222000028516	
19.1	Electronic Control Box	1	12122000004577	
19.2	Left Cover Of Electronic Control Box	1	12122000004639	
19.3	Right Cover Of Electronic Control Box	1	12122000004632	
19.4	Main Control Board Subassembly	1	17122000045126	
19.5	Room Temperature Sensor	1	11201007003424	
19.6	Pipe Temperature Sensor	1	11201007003447	
19.7	Terminal	1	17400401000006	
20	Cover Of Electronic Control Box	1	12122000005020	
21	Remote Controller	1	17317000A16345	
22	Seal Ring	1	12600701000039	
23	Drain Hose1	1	12100509000061	
28	Drain Hose2	1	12100501000032	
40	Air Freshening Filter	1	12100204000685	
42	Check Valve	1	15500209000001	
45	Bracket Of Remote Controller	1	12117000002116	

46	Copper Nut1	1	15500406000012	
46	Copper Nut2	1	15500406000016	