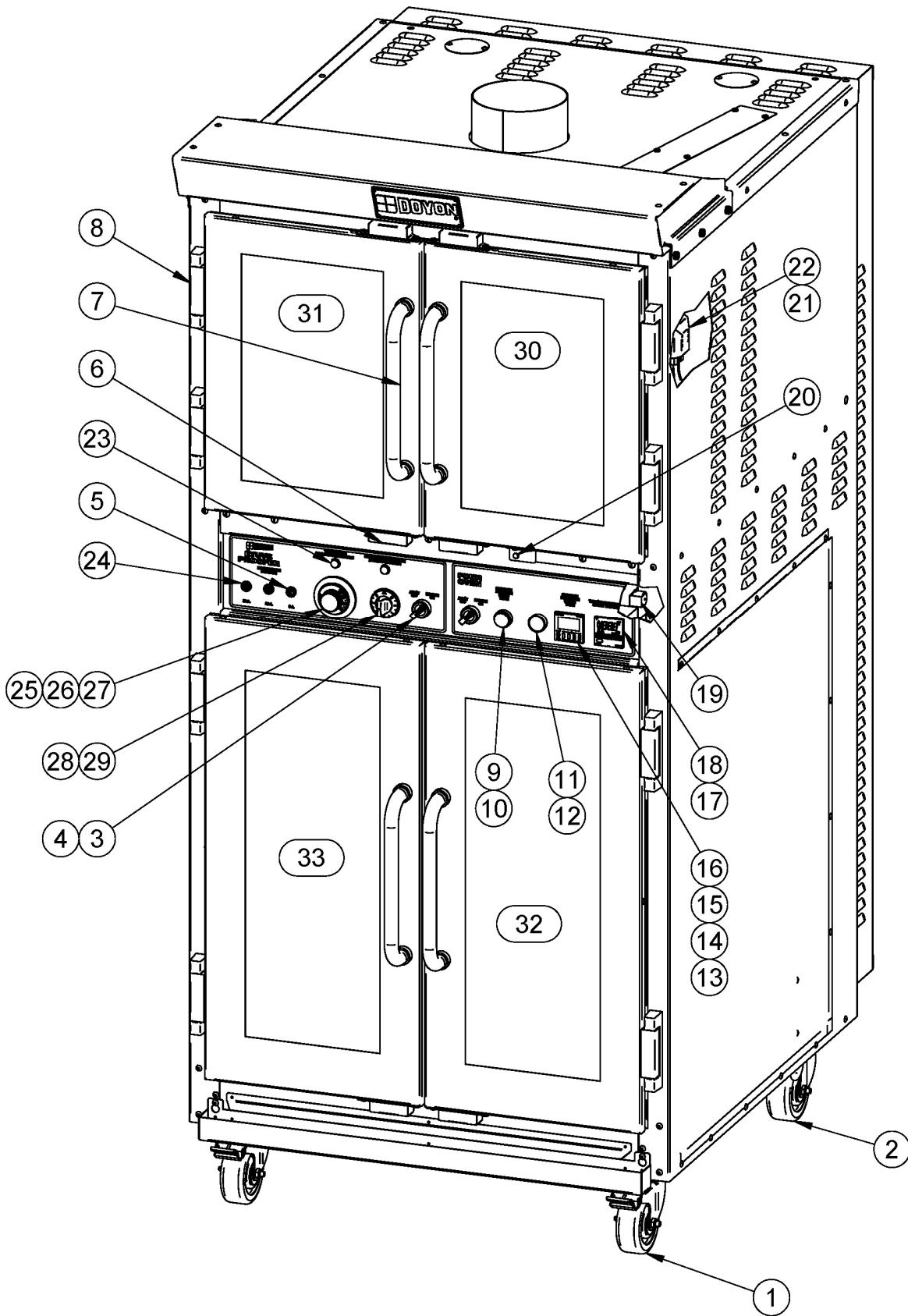
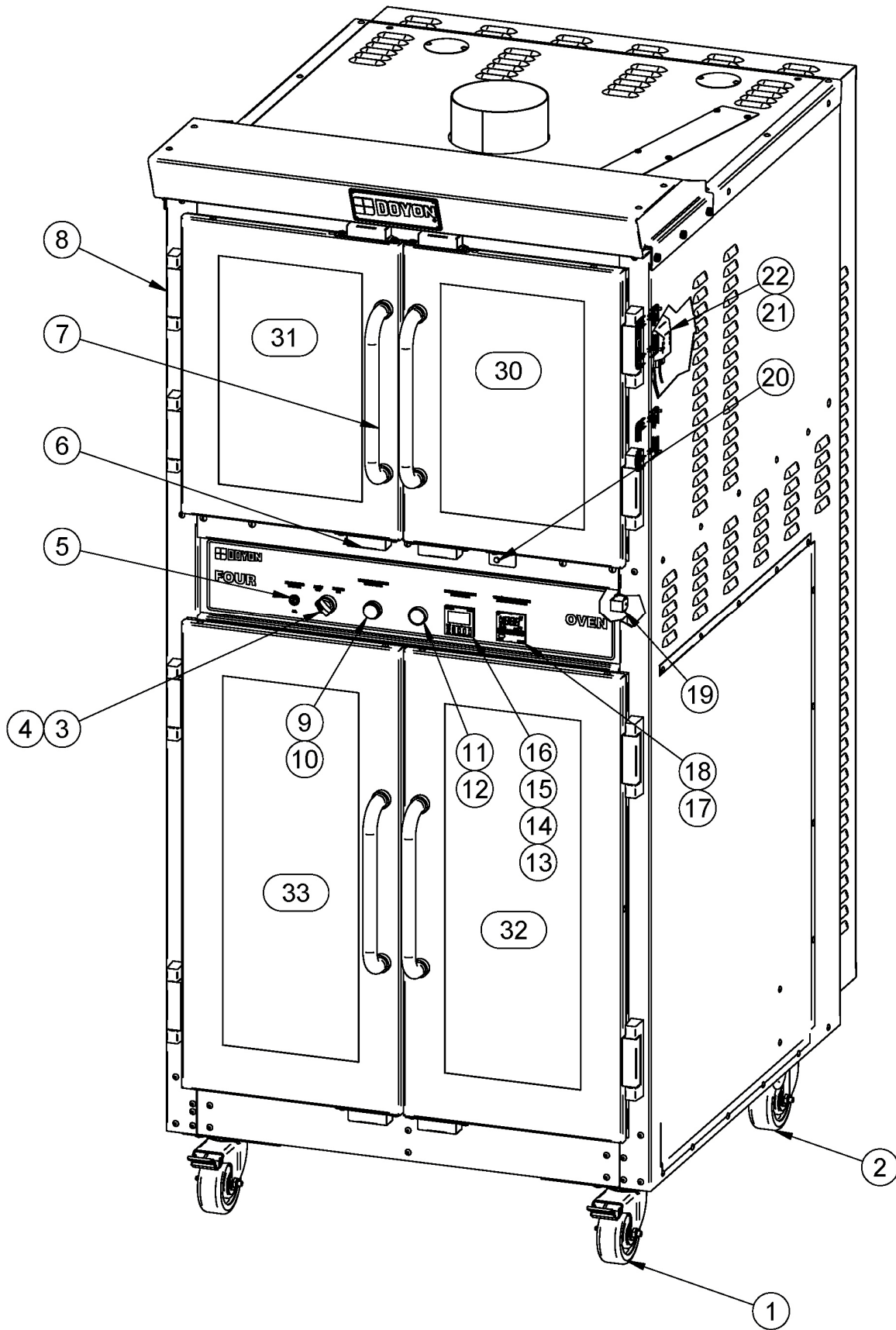


JAOP3G
VUE DE FACE / FRONT VIEW



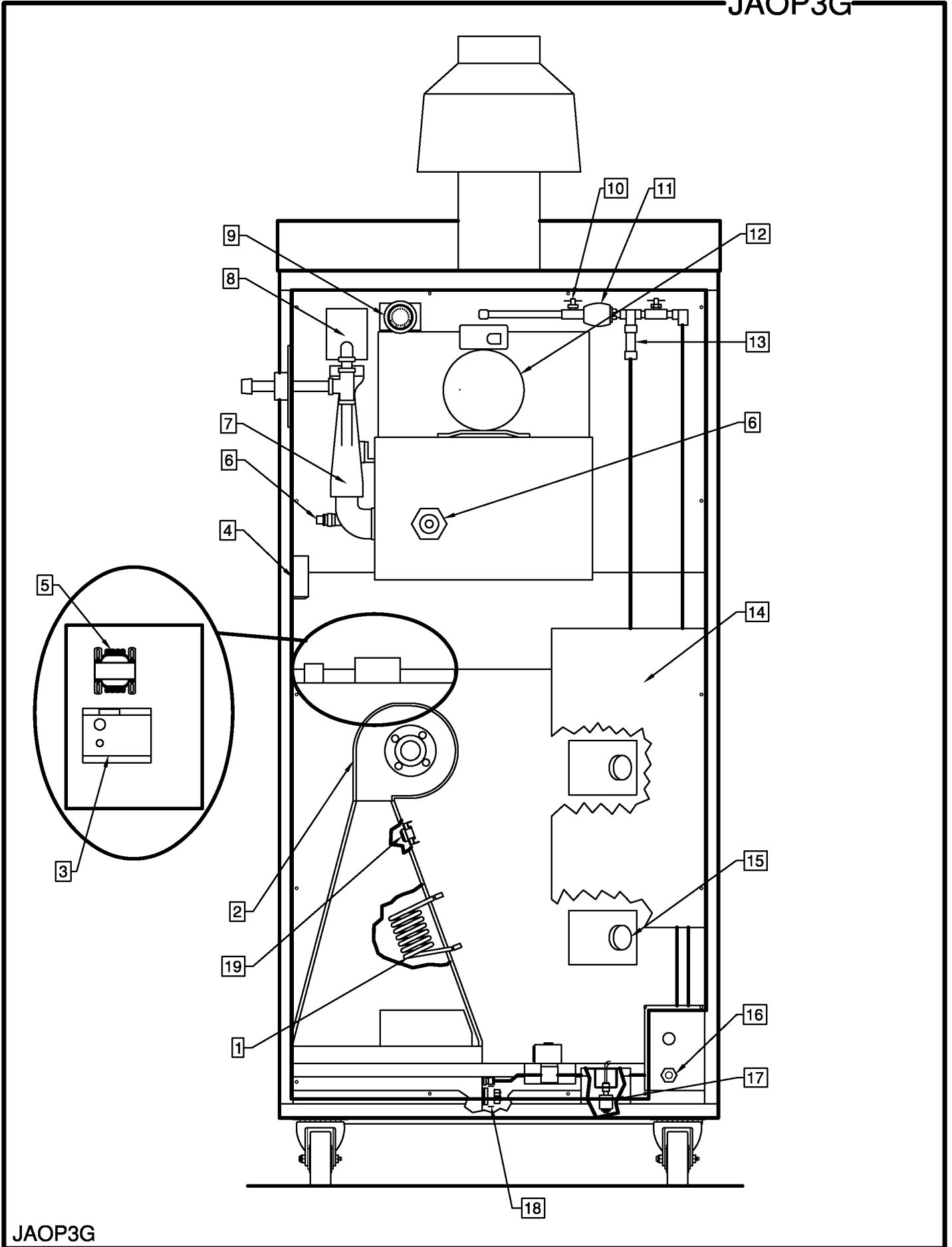
JA4SCG VUE DE FACE / FRONT VIEW

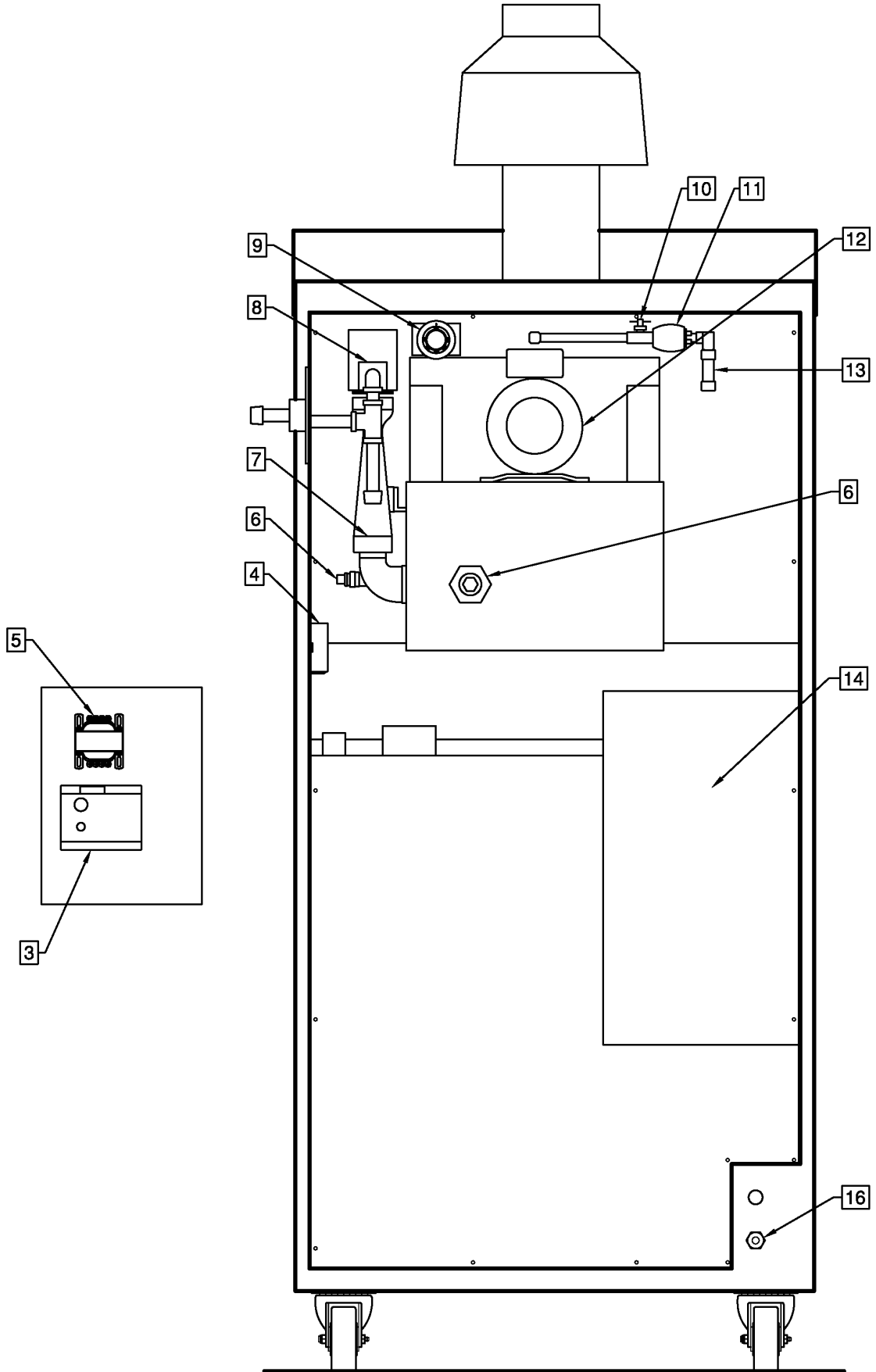


Item	Part Number	Description	Quantity
1	PAR850	SWIVEL CASTER WITH BRAKE	2
2	PAR800	SWIVEL CASTER	2
3	ELI402	BLACK SELECTOR 2 POS.	2
4	ELI406	BASE WITH 1NO	2
5	ELB096	5A BREAKER	1
AND /OR	ELB098	2A BREAKER (NO 110V)	1
6	QUA200	DOOR MAGNET	6
7	QUP465	STAIN. STEEL TUBULAR HANDLE FOR DOOR	4
8	QUP320	DOOR HINGE	8
9	ELL418	WHITE PUSHBUTTON ILLUMINATES LED	1
10	ELL415	WHITE BASE LED 120V WITH 1NO	1
11	ELP401	BLACK PUSHBUTTON PUSH-IN PUSH-OUT	1
12	ELI413	BASE WITH 2NO	1
13	ELM618	FIXING FOR PANASONIC TIMER	1
14	ELM629	ELECTRONIC TIMER 8 PIN SOCKET	1
15	ELM616	ELECTRONIC TIMER	1
16	ELM617	BLACK COVER FOR ELM616	1
17	ELM726	FIXING FOR OMRON TIMER	1
18	ELT515-JA	ELECTRONIC THERMOSTAT PROG. FOR JA-OVEN	1
19	ELS950	BUZZER 120V	1
20	ELM570	DOOR SWITCH 15A	1
21	50010894	ASSY. FRAME, GLASS, GASKET AND SCREW FOR ELD081 & ELD082	2
22	ELD081	FRAME AND LIGHT SOCKET 77-708 120V	2
23	ELL650	RED PILOT LIGHT 250V	2
24	ELB097	20A BREAKER	2
25	ELT620	THERMOSTAT BEZEL	1
26	ELT627	THERMOSTAT 110°F	1
27	ELT628	THERMOSTAT KNOB 110°F	1
28	ELI220	HUMIDITY CONTROL 120V	1
29	ELI240	INFINITY SWITCH KNOB	1
30	P1419FD	RIGHT DOOR OVEN JAOP3	1
31	P1419FG	LEFT DOOR OVEN JAOP3	1
32	P1430ED	RIGHT DOOR PROOFER 14 1/2" X 30 3/4"	1
33	P1430EG	LEFT DOOR PROOFER JAOP3	1

Model : JAOP3 G NEUTRE ET PAS DE NEUTRE

View : FRONT (Steam)



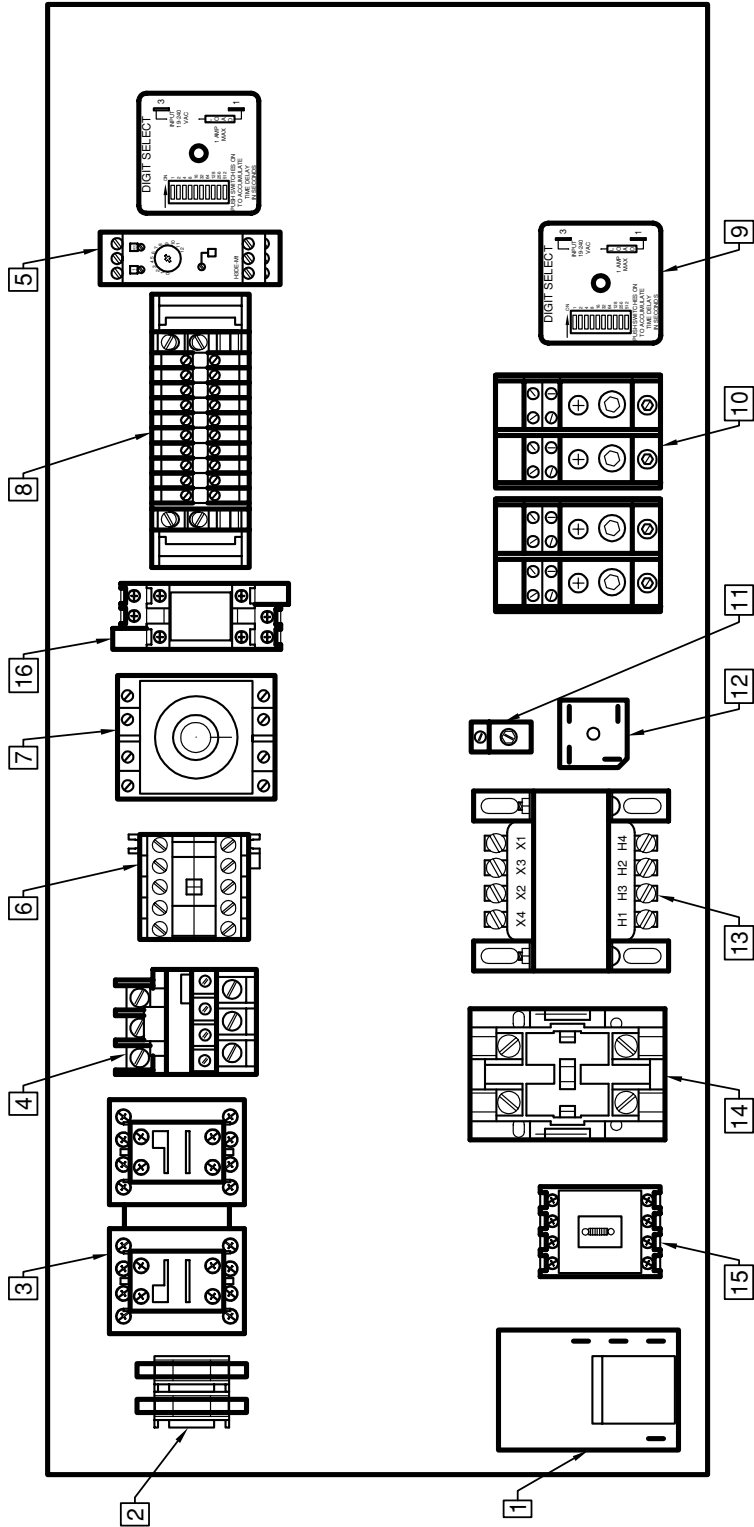


Item	Part Number	Description	Quantity
1	ELE130	COIL ELEMENT 120V 1500W	1
OR	ELE131	COIL ELEMENT 208V 1500W	1
OR	ELE132	COIL ELEMENT 240V 1500W(FOR 220 VOLTS)	1
2	ELM730	PROOFER FAN BLOWER	1
3	GAB500	ELECTRONIC CONTROL (HONEYWELL S87D)	1
OR	GAB505	ELECTRONIC CONTROL (FENWAL)	1
4	GAP300	PRESSURE SWITCH DWYER	1
5	ELT705	TRANSFORMER 120/240V TO 12/24V 100VA.	1
6	GAD200	FLAME DETECTION ROD	1
AND	GAD190	IGNITION ROD	1
7	GAM200	ATMOSPHERIC MIXER	1
8	GAC240	NATURAL GAS VALVE #VR8305M2953	1
AND	GAC241N	NATURAL GAS PRESSURE REGULATOR	1
OR	GAC241P	PROPANE GAS PRESSURE REGULATOR	1
9	ELT680	THERMOSTAT 700°F	1
AND	ELT681	THERMOSTAT KNOB 700°F	1
AND	ELT620	THERMOSTAT BEZEL	1
10	ELV590	NEEDLE VALVE	2
11	ELS880	SOLENOID VALVE 110/120V 50/60Hz	2
12	ELM800M	MOTOR .75HP 1PH 115/208-230V 60Hz/50Hz	1
13	PLF100	WATER FILTER	1
14		(PAN 208V OR 240V 1PH (PJAOP3GV)	
15	ELD050	INCANDESCENT LIGHT SOCKET	3
AND	ELA350	HALOGEN BULB 100 WATTS 120V(OVEN)	1
AND	ELA275	BULB 60W 130V(PROOFER)	2
OR	ELA290	BULB 60W, 240 V	2
AND	ELA295	BULB 100W 240V	1
16	PLCU160	MAIN WATER INLET	1
17	QUF350	ELECTRIC FLOAT	1
18	ELE165	IMMERSION ELEMENT 120V 1500W	1
OR	ELE166	IMMERSION ELEMENT 208V 1500W	1
OR	ELE167	IMMERSION ELEMENT 240V 1500W(FOR 220 VOLTS)	1
19	ELT505	HIGH LIMIT TEMPERATURE 300°	1

Model : JAOP3 GAZ NEUTRE ET PAS DE NEUTRE

View : BACK

208 OR 240 VOLTS
1 PHASE
JAOP3 GAS

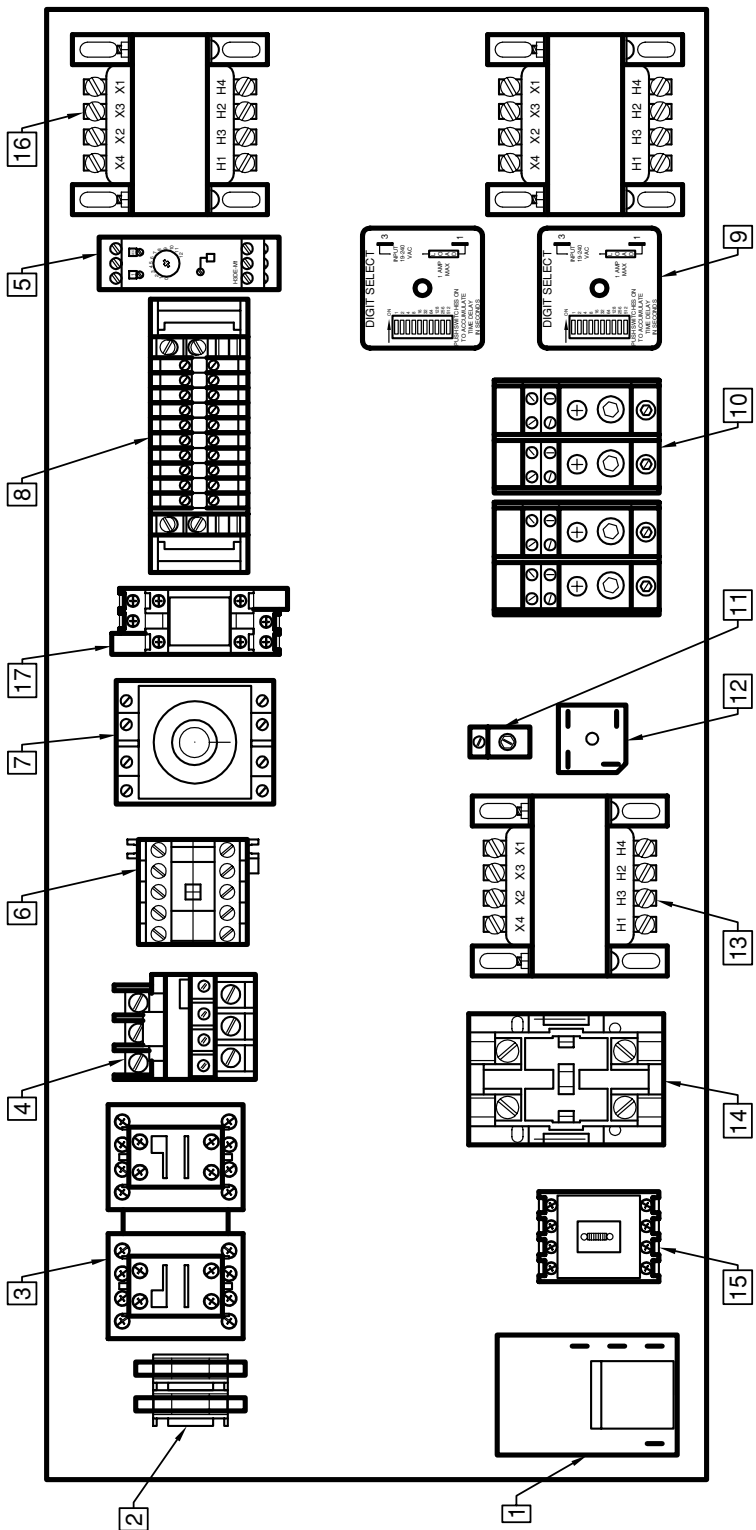


Item	Part Number	Description	Quantity
1	ELM715	PRESET TIMER 25SEC. OFF - 150SEC. ON	1
2	ELF960B	LITTLE-FUSE HOLDER 30A 300V, 2POLES	1
AND	ELF732	LITTLE-FUSE 15A SLO-BLO	2
3	ELC515	MOTOR REVERSING CONTACTOR 2HP	1
AND	ELC950	SPRECHER AUXILIARY CONTACT BLOCK	2
	ELC520	CONTACTOR COIL (ONLY)	
4	ELO215	OVERLOAD RELAY SINGLE PHASE 2 TO 7 AMPS.	1
AND	ELO220	OVERLOAD RELAY BASE	1
5	ELM614	OMRON STEAM TIMER H3DE	1
6	ELC660	RELAY 10A 120V, 2NO-2NF	1
7	ELM720	OMRON CONTROL TIMER (11 PIN) H3CR	1
AND	ELM729	11 PIN BASE	1
8	ELB073	TERMINAL BLOCK 30A	11
9	ELM735	SOLID STATE TIMER ICM FOR CH460,JAOP3-G, FC2-G AND E233	2
10	ELB072	TERMINAL BLOCK 3P 175A	1
11	ELL050	GROUND LUG	1
12	ELD060	BRIDGE RECTIFIER 1000V, 35A	1
13	ELT705	TRANSFORMER 120/240 A 12/24, 100VA	1
14	ELC860	CONTACTOR 2P 30A 110V	1
15	ELC615	RELAY 10A 2P COIL 110V	1
AND	ELC617	BASE	1
AND	ELM736	LOAD FOR TIMER	1
16	ELC630	CONTROL RELAY 12A COIL 120V	1
AND	ELC640	CONTROL RELAY BASE	1

Model : JAOP3-G 1 PHASE 120/208V OU 120/240V

**View : ELECT. PANEL
(See OVEN BACK)**

208 OR 240 VOLTS
1 PHASE
JAOP3 GAS

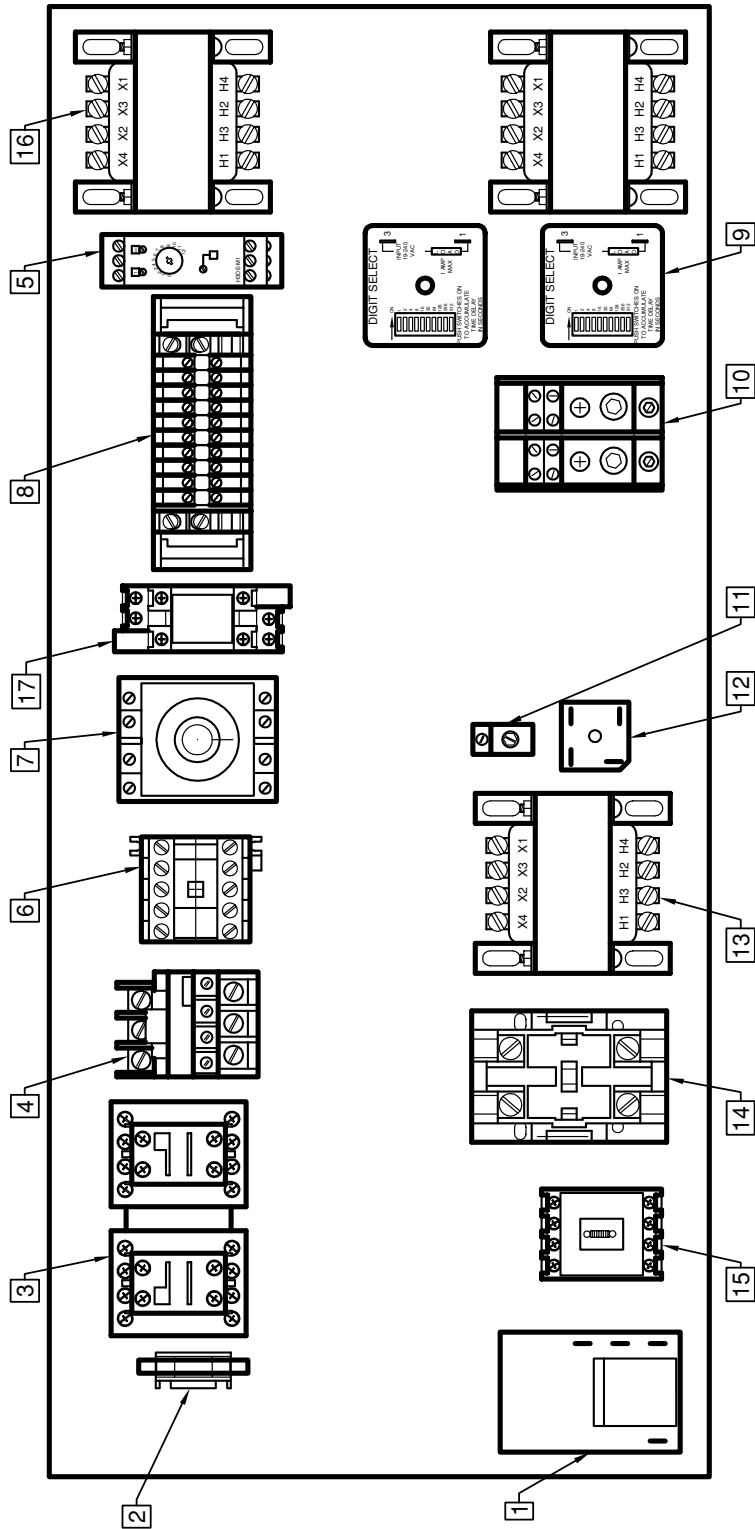


Item	Part Number	Description	Quantity
1	ELM715	PRESET TIMER 25SEC. OFF - 150SEC. ON	1
2	ELF960B	LITTLE-FUSE HOLDER 30A 300V, 2POLES	1
AND	ELF732	LITTLE-FUSE 15A SLO-BLO	2
3	ELC515	MOTOR REVERSING CONTACTOR 2HP	1
	ELC520	CONTACTOR COIL (ONLY)	1
AND	ELC950	SPRECHER AUXILIARY CONTACT BLOCK	2
4	ELO215	OVERLOAD RELAY SINGLE PHASE 2 TO 7 AMPS.	1
AND	ELO220	OVERLOAD RELAY BASE	1
5	ELM614	OMRON STEAM TIMER H3DE	1
6	ELC660	RELAY 10A 120V, 2NO-2NF	1
7	ELM720	OMRON CONTROL TIMER (11 PIN) H3CR	1
AND	ELM729	11 PIN BASE	1
8	ELB073	TERMINAL BLOCK 30A	1
9	ELM735	SOLID STATE TIMER ICM FOR CH460,JAOP3-G, FC2-G AND E233	2
10	ELB072	TERMINAL BLOCK 3P 175A	1
11	ELL050	GROUND LUG	1
12	ELD060	BRIDGE RECTIFIER 1000V, 35A	1
13	ELT705	TRANSFORMER 120/240 A 12/24, 100VA	1
14	ELC860	CONTACTOR 2P 30A 110V	1
15	ELC615	RELAY 10A 2P COIL 110V	1
AND	ELC617	BASE	1
AND	ELM736	LOAD FOR TIMER	1
16	ELT725	TRANSFORMER 240/120 250VA	2
17	ELC630	CONTROL RELAY 12A COIL 120V	1
AND	ELC640	CONTROL RELAY BASE	1

Model : JAOP3-G 1 PHASE 208V ou 240

**View : ELECTRICAL PANEL
(See OVEN BACK)**

220 VOLTS
1 PHASE
JAOP3 GAS

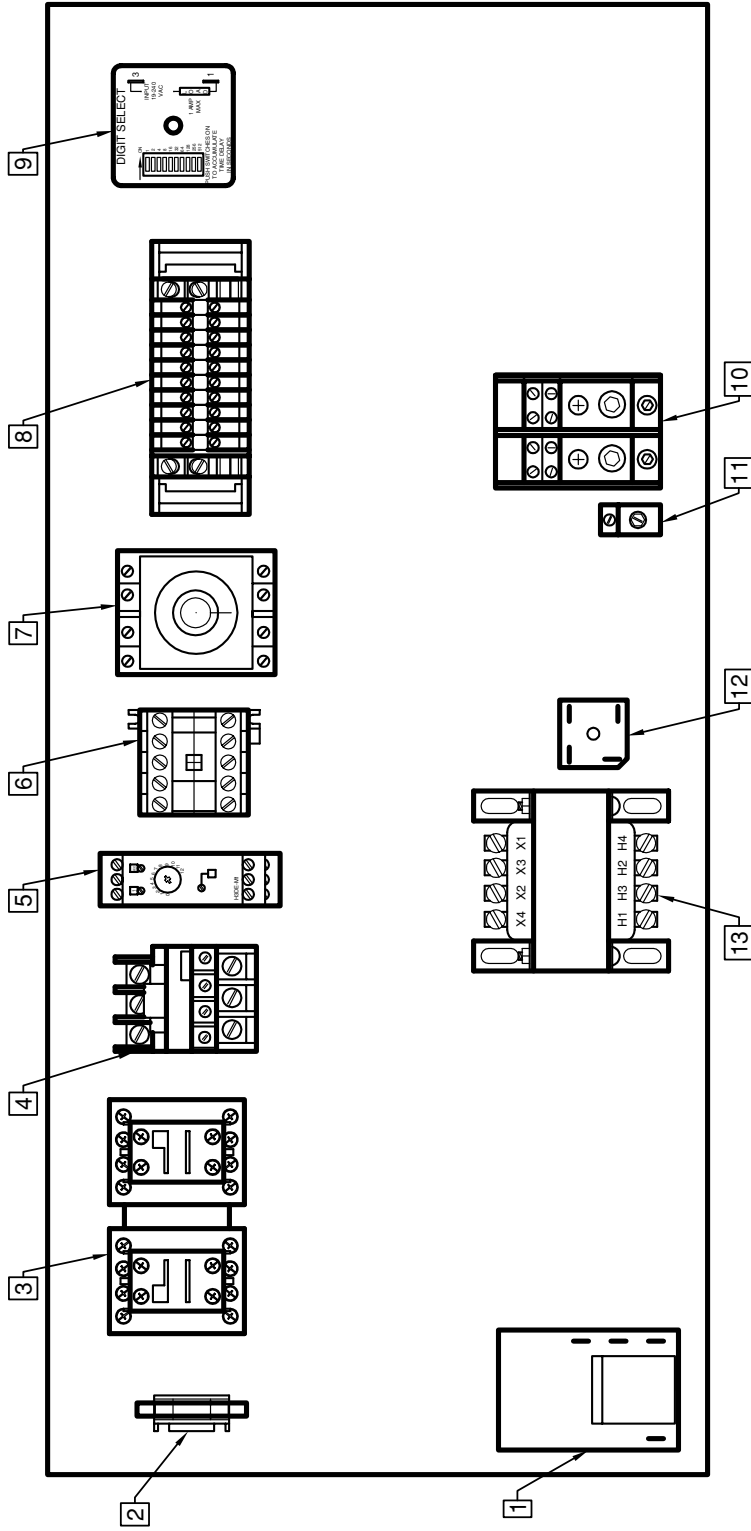


Item	Part Number	Description	Quantity
1	ELM715	PRESET TIMER 25SEC. OFF - 150SEC. ON	1
2	ELF960	LITTLE-FUSE HOLDER 30A 300V	1
AND	ELF732	LITTLE-FUSE 15A SLO-BLO	1
3	ELC515	MOTOR REVERSING CONTACTOR 2HP	1
AND	ELC950	SPRECHER AUXILIARY CONTACT BLOCK	2
	ELC520	CONTACTOR COIL (ONLY)	
4	ELO215	OVERLOAD RELAY SINGLE PHASE 2 TO 7 AMPS.	1
AND	ELO220	OVERLOAD RELAY BASE	1
5	ELM614	OMRON STEAM TIMER H3DE	1
6	ELC660	RELAY 10A 120V, 2NO-2NF	1
7	ELM720	OMRON CONTROL TIMER (11 PIN) H3CR	1
AND	ELM729	11 PIN BASE	1
8	ELB073	TERMINAL BLOCK 30A	11
9	ELM735	SOLID STATE TIMER ICM FOR CH460,JAOP3-G, FC2-G AND E233	2
10	ELB071	TERMINAL BLOCK 2P 175A	1
11	ELL050	GROUND LUG	1
12	ELD060	BRIDGE RECTIFIER 1000V, 35A	1
13	ELC860	CONTACTOR 2P 30A 110V	1
14	ELC860	CONTACTOR 2P 30A 110V	1
15	ELC615	RELAY 10A 2P COIL 110V	1
AND	ELC617	BASE	1
AND	ELM736	LOAD FOR TIMER	1
16	ELT725	TRANSFORMER 240/120 250VA	2
17	ELC630	CONTROL RELAY 12A COIL 120V	1
AND	ELC640	CONTROL RELAY BASE	1

Model : PJAP3GV1 (220)

View : ELECT. PANEL (See OVEN BACK)

120 VOLTS
1 PHASE
JA4SC GAS

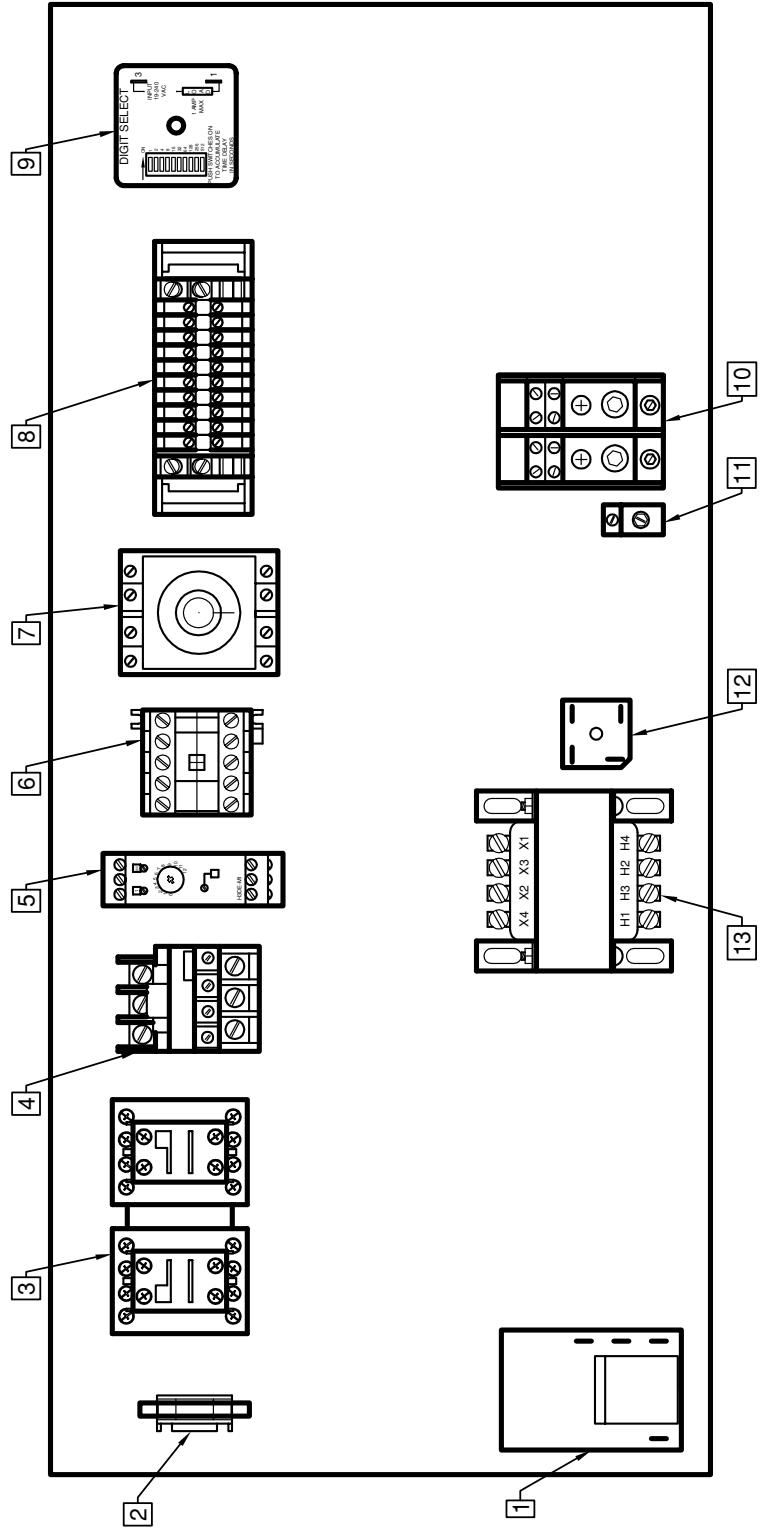


Item	Part Number	Description	Quantity
1	ELM715	PRESET TIMER 25SEC. OFF - 150SEC. ON	1
2	ELF960	LITTLE-FUSE HOLDER 30A 300V	1
AND	ELF732	LITTLE-FUSE 8A SLO-BLO	1
3	ELC515	MOTOR REVERSING CONTACTOR 2HP	1
AND	ELC950	SPRECHER AUXILIARY CONTACT BLOCK	2
	ELC520	CONTACTOR COIL (ONLY)	
4	ELO215	OVERLOAD RELAY SIMPLE PHASE 2 TO 7 AMPS.	1
AND	ELO220	OVERLOAD RELAY BASE	1
5	ELC660	RELAY 10A 120V, 2NO-2NF	1
6	ELM720	OMRON CONTROL TIMER (11 PIN) H3CR	1
AND	ELM729	11 PIN BASE	1
7	ELB073	TERMINAL BLOCK 30A	11
8	ELM614	OMRON STEAM TIMER H3DE	1
9	ELM735	SOLID STATE TIMER ICM FOR CH460,JAOP3-G, FC2-G AND E233	2
10	ELL050	GROUND LUG	1
11	ELB071	TERMINAL BLOCK 2P 175A	2
12	ELD060	BRIDGE RECTIFIER 1000V, 35A	1
13	ELT705	TRANSFORMER 120/240 A 12/24, 100VA	1
14	ELC860	CONTACTOR 2P 30A 110V	1
15	ELC615	RELAY 10A 2P COIL 110V	1
AND	ELC617	BASE	1
AND	ELM736	LOAD FOR TIMER	1

Model : JAOP3-G 3 PHASES

View : ELECT. PANEL (See OVEN BACK)

120 VOLTS
1 PHASE
JA4SC GAS



F10

Item	Part Number	Description	Quantity
1	ELM715	PRESET TIMER 25SEC. OFF - 150SEC. ON	1
2	ELF975	FUSE HOLDER 30A 250V 1P	1
AND	ELF830	FUSE 15A 250V	1
3	ELC515	MOTOR REVERSING CONTACTOR 2HP	1
	ELC520	CONTACTOR COIL (ONLY)	1
AND	ELC950	SPRECHER AUXILIARY CONTACT BLOCK	2
4	ELO215	OVERLOAD RELAY SINGLE PHASE 2 TO 7 AMPS.	1
AND	ELO220	OVERLOAD RELAY BASE	1
5	ELM614	OMRON STEAM TIMER H3DE	1
6	ELC660	RELAY 10A 120V, 2NO-2NF	1
7	ELM720	OMRON CONTROL TIMER (11 PIN) H3CR	1
AND	ELM729	11 PIN BASE	1
8	ELB073	TERMINAL BLOCK 30A	1
9	ELM735	SOLID STATE TIMER ICM FOR CH460,JAOP3-G, FC2-G AND E233	1
10	ELB071	TERMINAL BLOCK 2P 175A	1
11	ELL050	GROUND LUG	1
12	ELD060	BRIDGE RECTIFIER 1000V, 35A	1
13	ELT705	TRANSFORMER 120/240 A 12/24, 100VA	1

Model : PJA4G120

View : ELECTRICAL PANEL (See OVEN BACK)