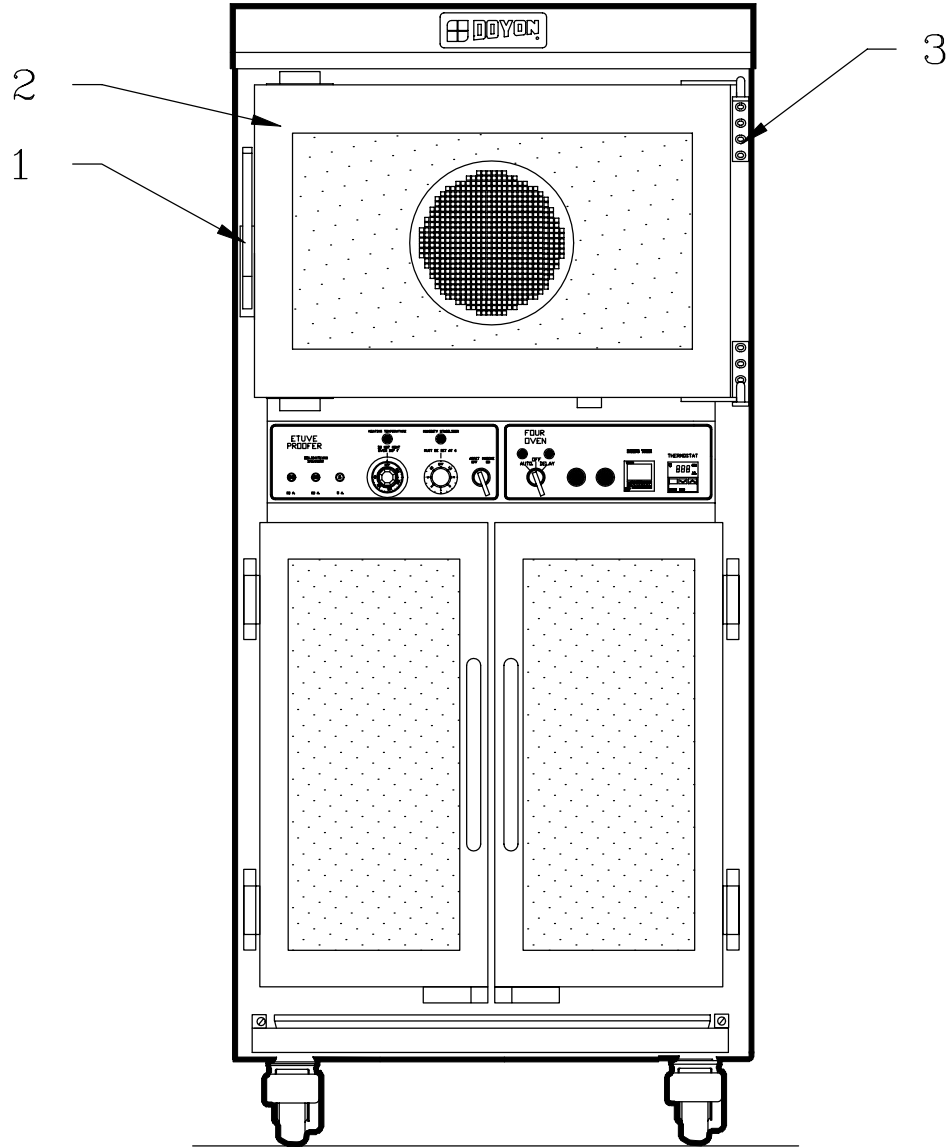


Item	Part Number	Description	Quantity
1	PAR800	SWIVEL CASTER	2
AND	PAR850	SWIVEL CASTER WITH BRAKE	2
2	P1430ED	RIGHT DOOR OF JA-4-SC	1
AND	P1430EG	LEFT DOOR OF JA-4-SC	1
AND	QUE500	DOOR GASKET(10')	1
3	QUA200	DOOR MAGNET	6
4	QUP320	DOOR HINGE	8
5	QUP465	DOOR HANDLE STAINLESS TUBING	4
6	ELI550	MAIN SWITCH (SELECTOR)	2
AND	ELI555	CONTACT BLOCK 1NO	2
7	ELI220	INFINITY SWITCH 120V (HUMIDITY CONT.)	1
OR	ELI230	INFINITY SWITCH 240V (HUMIDITY CONT.)(240 VOLTS)	1
AND	ELI240	INFINITY SWITCH KNOB	1
8	ELT627	THERMOSTAT 110F	1
AND	ELT628	THERMOSTAT KNOB 110F	1
AND	ELT620	THERMOSTAT BEZEL	1
9	ELB096	5A BREAKER	1
AND	ELB097	20A BREAKER	2
AND	ELB098	2A BREAKER(NO 110 VOLTS)	2
10	ELL650	RED PILOT LIGHT	2
11	P1419FD	RIGHT OVEN DOOR 19 3/8 X 14 9/16	1
AND	P1419FG	LEFT OVEN DOOR 19 3/8 X 14 9/16	1
AND	QUE500	DOOR GASKET(9')	1
12	ELM570	DOOR SWITCH	1
13	ELM616	ELECTRONIC TIMER OMRON H5CX-L8	1
AND	ELM629	ELECTRONIC TIMER 8 PIN SOCKET	1
AND	ELM726	PANEL MOUNTING	1
14	ELS950	BUZZER 120V	1
15	ELT515	ELECTRONIC THERMOSTAT	1
AND	ELT522	THERMOCOUPLE J TYPE	1
16	ELP994	PUSH-BUTTON (BLACK)	1
AND	ELI554	MECHANICAL HOLD (ON-OFF) CONTACT	1
AND	ELI555	CONTACT BLOCK 1NO	1
17	ELL775	HIGHLITED PUSH BUTTON SOCKET WHITE	1
AND	ELL756	PUSH BUTTON SOCKET (N.O.)	1
AND	ELL645	MINIATURE LAMP 3 WATTS 130 VOLTS	1

Model : JAOP3V

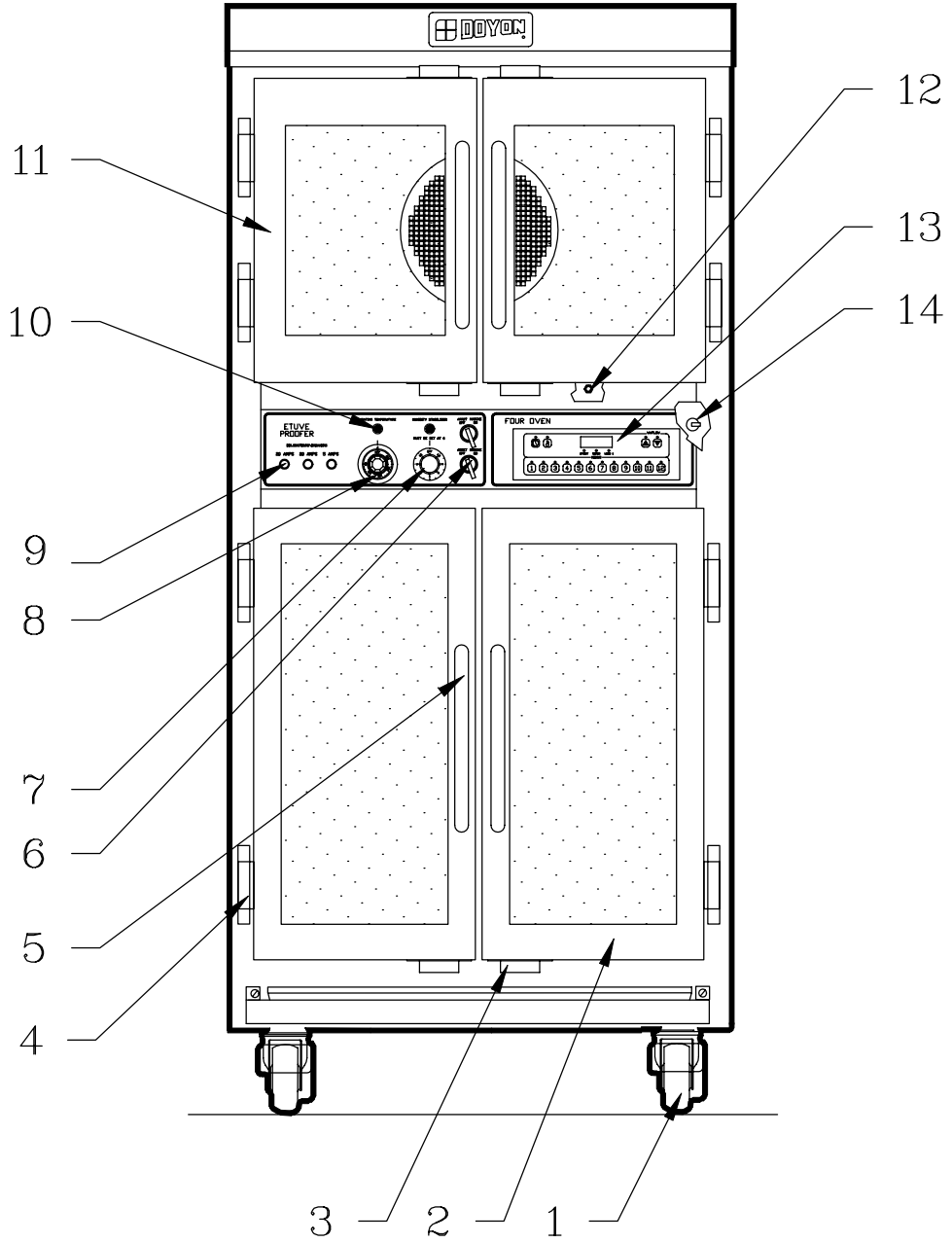
View : FRONT (Steam)



Item	Part Number	Description	Quantity
1	QUP520	MAGNETIC HANDLE	1
2	P1929F-S	SUBWAY DOOR OVEN 19 1/2 x 29 1/2	1
2	P1929F-S	JAOP-3 SUBWAY DOOR OVEN	1
AND	QUE500	DOOR GASKET(9')	1
3	STP001	TOP MALE HINGE	1
AND	STP002	TOP FEMALE HINGE	1
AND	STP003	BOTTOM MALE HINGE	1
AND	STP004	BOTTOM FEMALE HINGE	1

Model : JAOP3E (SUBWAY)

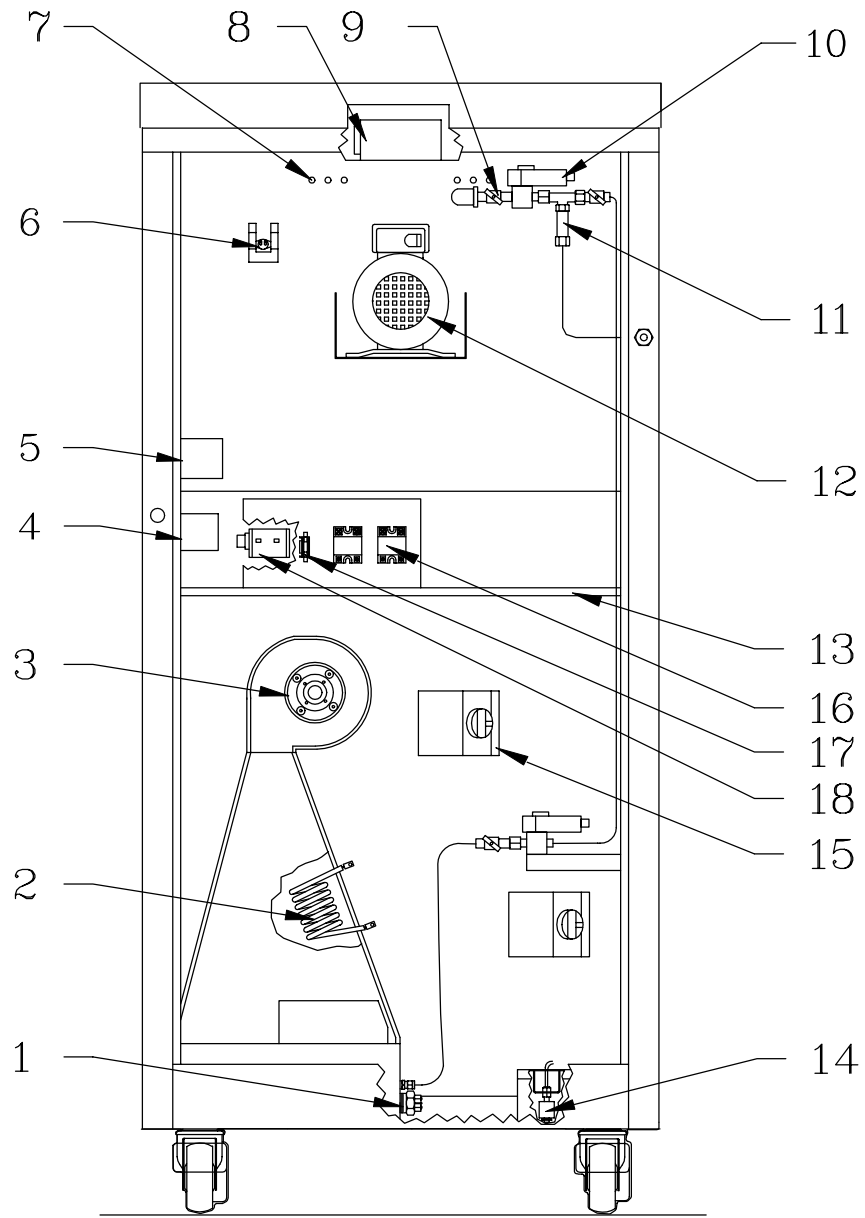
View : FRONT



Item	Part Number	Description	Quantity
1	PAR800	SWIVEL CASTER	2
AND	PAR850	SWIVEL CASTER WITH BRAKE	2
2	P1430EG	LEFT PROOFER DOOR 14 1/2" X 30 3/4"	1
2	P1430EG	LEFT DOOR OF JA-4-SC	1
AND	P1430ED	RIGHT PROOFER DOOR 14 1/2" X 30 3/4"	1
AND	P1430ED	RIGHT DOOR OF JA-4-SC	1
AND	QUE500	DOOR GASKET(10')	1
3	QUA200	DOOR MAGNET	6
4	QUP320	DOOR HINGE	8
5	QUP465	DOOR HANDLE STAINLESS TUBING	4
6	ELI550	MAIN SWITCH (SELECTOR)	2
AND	ELI555	CONTACT BLOCK 1NO	2
7	ELI220	INFINITY SWITCH 120V (HUMIDITY CONT.)	1
AND	ELI240	INFINITY SWITCH KNOB	1
8	ELT627	THERMOSTAT 110F	1
AND	ELT628	THERMOSTAT KNOB 110F	1
AND	ELT620	THERMOSTAT BEZEL	1
9	ELB097	20A BREAKER	2
AND	ELB096	5A BREAKER	1
10	ELL650	PILOT LIGHT	2
11	P1419FG	LEFT OVEN DOOR 19 3/8 X 14 9/16	1
11	P1419FG	LEFT OVEN DOOR 19 3/8 X 14 9/16	1
AND	P1419FD	RIGHT OVEN DOOR 19 3/8 X 14 9/16	1
AND	P1419FD	RIGHT OVEN DOOR 19 3/8 X 14 9/16	1
AND	QUE500	DOOR GASKET(9')	1
12	ELM570	DOOR SWITCH	1
13	ELT536	HORIZONTAL WATLOW CONTROL	1
14	ELS950	BUZZER 120V	1

Model : JAOP3E WATLOW

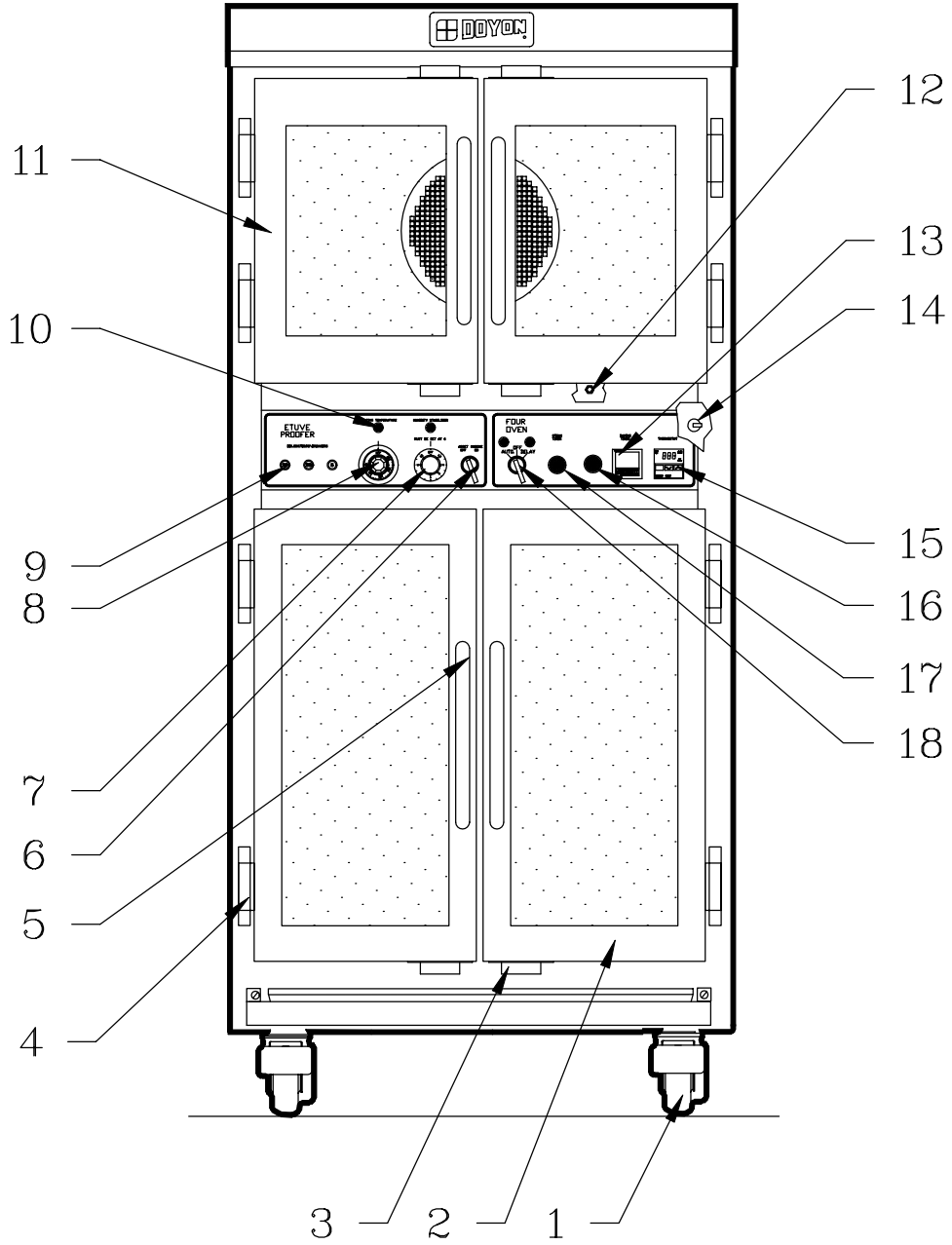
View : FRONT (Steam)



Item	Part Number	Description	Quantity
1	ELE165	IMMERSION ELEMENT 120V 1500W	1
2	ELE130	COIL ELEMENT 120V 1500W	1
3	ELM730	PROOFER FAN BLOWER	1
4	ELT712	TRANSFORMER 240/120 50VA(MOD. 220 V ONLY)	1
OR	ELT725	TRANSFORMER 240/120 250VA(MOD. 220 V ONLY)	1
5	ELT715	TRANSFORMER 240>120 100VA(MOD. 220 V ONLY)	1
OR	ELT725	TRANSFORMER 240/120 250VA(MOD. 220 V ONLY)	1
6	ELT506	HIGH LIMIT TEMPERATURE(OPTIONAL)	1
7	ELE120	STRAIGHT ELEMENT 240V 2500W	3
OR	ELE110	STRAIGHT ELEMENT 208V 2500W	3
8	ELD050	INCANDESCENT LIGHT SOCKET	1
AND	ELA350	HALOGEN BULB 100 WATTS 120V	1
9	ELV590	NEEDLE VALVE	2
10	ELS880	SOLENOID VALVE 110/120V 50/60Hz	2
11	PLF100	WATER FILTER	1
12	ELM800M	MOTOR .75HP 1PH 115/208-230V 60Hz/50Hz A.O. SMITH	1
OR	ELM820M	MOTOR 3/4HP 3PH 208/230/460V 60Hz/50Hz A.O. SMITH	1
13		(ELECT PAN. V (P208S-S5 OR P240S-S5))	
14	QUF350	ELECTRIC FLOAT	1
15	ELA275	BULB 60W 130V	2
AND	ELD050	INCANDESCENT LIGHT SOCKET	2
16	ELC800	SOLID STATE RELAY (S.S.R.)(WATLOW OPTIONAL)	1
17	ELF960	LITTLE-FUSE HOLDER 30A 300V(WATLOW OPTIONAL)	1
AND	ELF855	LITTLE-FUSE 1A 250V(WATLOW OPTIONAL)	1
18	GAT100	TRANSFORMER 120/25V 20VA.(WATLOW OPTIONAL)	1

Model : JAOP3E WATLOW

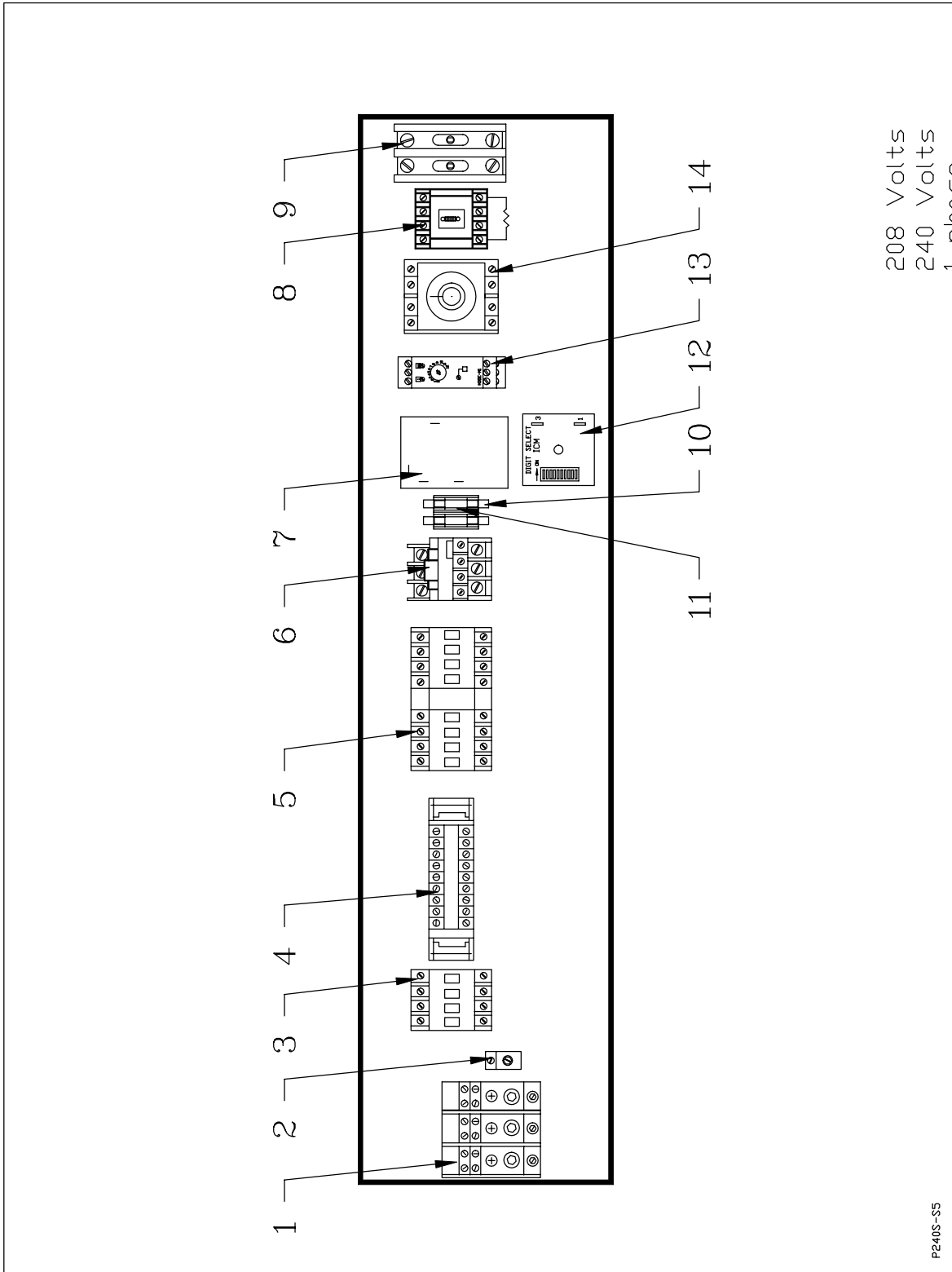
View : BACK



Item	Part Number	Description	Quantity
1	PAR800	SWIVEL CASTER	2
AND	PAR850	SWIVEL CASTER WITH BRAKE	2
2	P1430ED	RIGHT DOOR OF JA-4-SC	1
AND	P1430EG	LEFT DOOR OF JA-4-SC	1
AND	QUE500	DOOR GASKET(10')	1
3	QUA200	DOOR MAGNET	6
4	QUP320	DOOR HINGE	8
5	QUP465	DOOR HANDLE STAINLESS TUBING	4
6	ELI550	MAIN SWITCH (SELECTOR)	1
AND	ELI555	CONTACT BLOCK 1NO	1
7	ELI220	INFINITY SWITCH 120V (HUMIDITY CONT.)	1
OR	ELI230	INFINITY SWITCH 240V (HUMIDITY CONT.)	1
AND	ELI240	INFINITY SWITCH KNOB	1
8	ELT627	THERMOSTAT 110F	1
AND	ELT628	THERMOSTAT KNOB 110F	1
AND	ELT620	THERMOSTAT BEZEL	1
9	ELB096	5A BREAKER	1
AND	ELB097	20A BREAKER	2
AND	ELB098	2A BREAKER(NO 110 VOLTS)	2
10	ELL650	RED PILOT LIGHT	2
OR		(DELAY OPTION)	4
11	P1419FD	RIGHT OVEN DOOR 19 3/8 X 14 9/16	1
AND	P1419FG	LEFT OVEN DOOR 19 3/8 X 14 9/16	1
AND	QUE500	DOOR GASKET(10')	1
12	ELM570	DOOR SWITCH	1
13	ELM616	ELECTRONIC TIMER OMRON H5CX-L8	1
AND	ELM629	ELECTRONIC TIMER 8 PIN SOCKET	1
AND	ELM726	PANEL MOUNTING	1
14	ELS950	BUZZER 120V	1
15	ELT515	ELECTRONIC THERMOSTAT	1
AND	ELT522	THERMOCOUPLE J TYPE	1
16	ELP994	PUSH-BUTTON (BLACK)	1
AND	ELI554	MECHANICAL HOLD (ON-OFF) CONTACT	1
AND	ELI555	CONTACT BLOCK 1NO	1
17	ELL775	HIGHLITED PUSH BUTTON SOCKET WHITE	1
AND	ELL756	PUSH BUTTON SOCKET (N.O.)	1
AND	ELL645	MINIATURE LAMP 3 WATTS 130 VOLTS	1
18	ELI550	MAIN SWITCH (SELECTOR)	1
AND	ELI555	CONTACT BLOCK 1NO	1
OR	ELI551	MAIN SWITCH (SELECTOR 3 WAYS)(DELAY OPTION)	1
AND	ELI570	CONTACT BLOCK 2NO(DELAY OPTION)	2
AND	ELI575	CONTACT BLOCK 1NC(DELAY OPTION)	1

Model : JAOP3DV (Delai Vapeur)

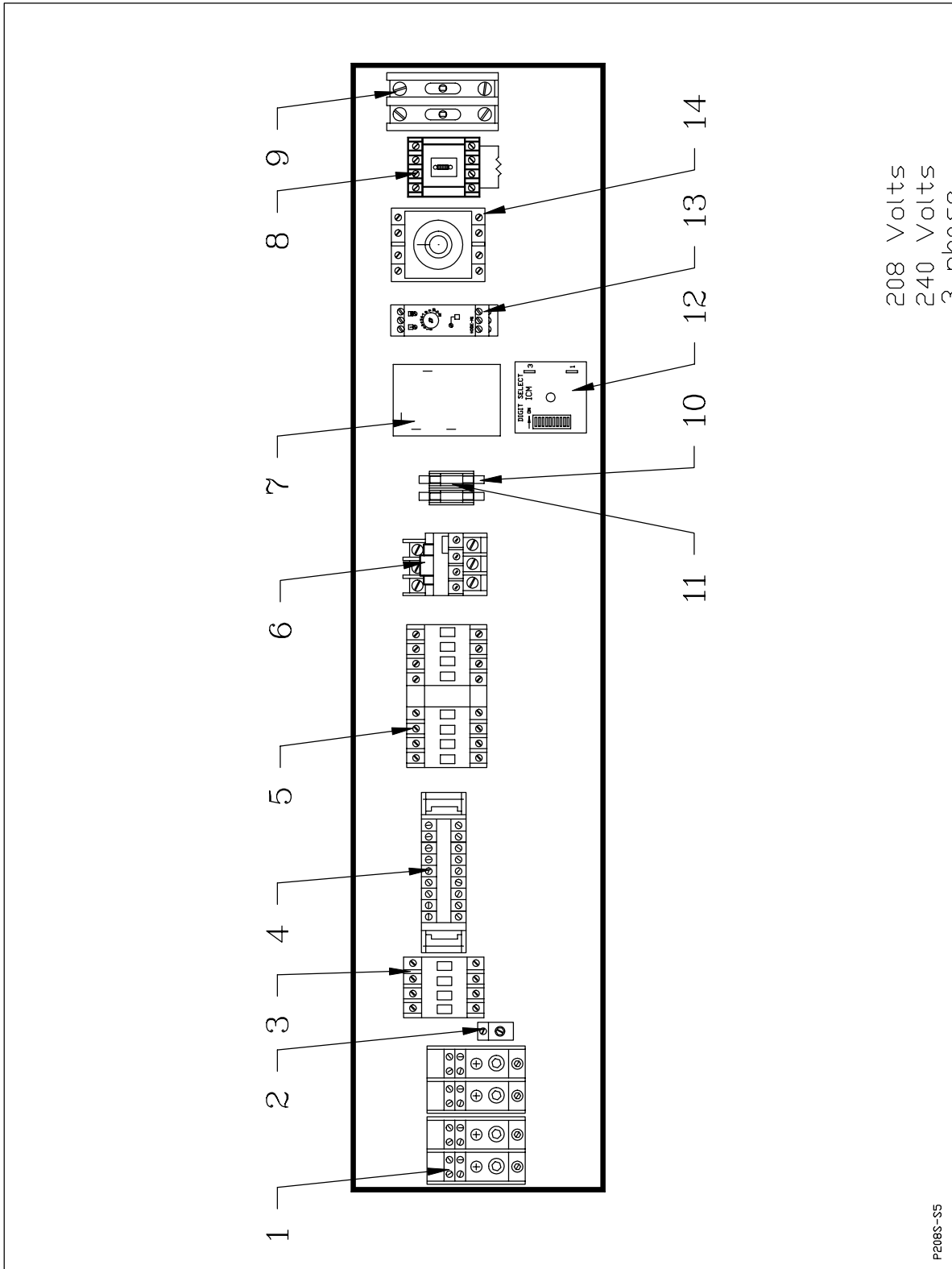
View : FRONT (Delay & Steam)



Item	Part Number	Description	Quantity
1	ELB072	TERMINAL BLOCK 3P 175A	1
2	ELL050	GROUND LUG	1
3	ELC908	HEATING CONTACTOR	1
	ELC909	HEATING CONTACTOR, COIL (ONLY)	
4	ELB073	TERMINAL BLOCK 30A	12
5	ELC515	MOTOR REVERSING CONTACTOR 2HP	1
	ELC520	CONTACTOR COIL (ONLY)	
6	ELO215	OVERLOAD RELAY SIMPLE PHASE 2 TO 7 AMPS.	1
AND	ELO220	OVERLOAD RELAY BASE	1
7	ELM715	PRESET TIMER 25SEC. OFF - 150SEC. ON	1
8	ELC615	RELAY 10A 2P COIL 110V	1
AND	ELC617	BASE	1
AND	ELM736	LOAD FOR TIMER	1
9	ELC860	CONTACTOR 2P 30A 110V	1
10	ELF960	LITTLE-FUSE HOLDER 30A 300V	1
11	ELF732	LITTLE-FUSE 8A SLO-BLO	2
12	ELM735	SOLID STATE TIMER ICM FOR CH460,JAOP3-G, FC2-G AND E233	1
13	ELM614	OMRON STEAM TIMER H3DE	1
14	ELM720	OMRON CONTROL TIMER (11 PIN) H3CR (FOR OPTION DELAY)	1
AND	ELM729	11 PIN BASE (FOR OPTION DELAY)	1

Model : P240S-S5 (JAOP3-E DELAI VAP.)

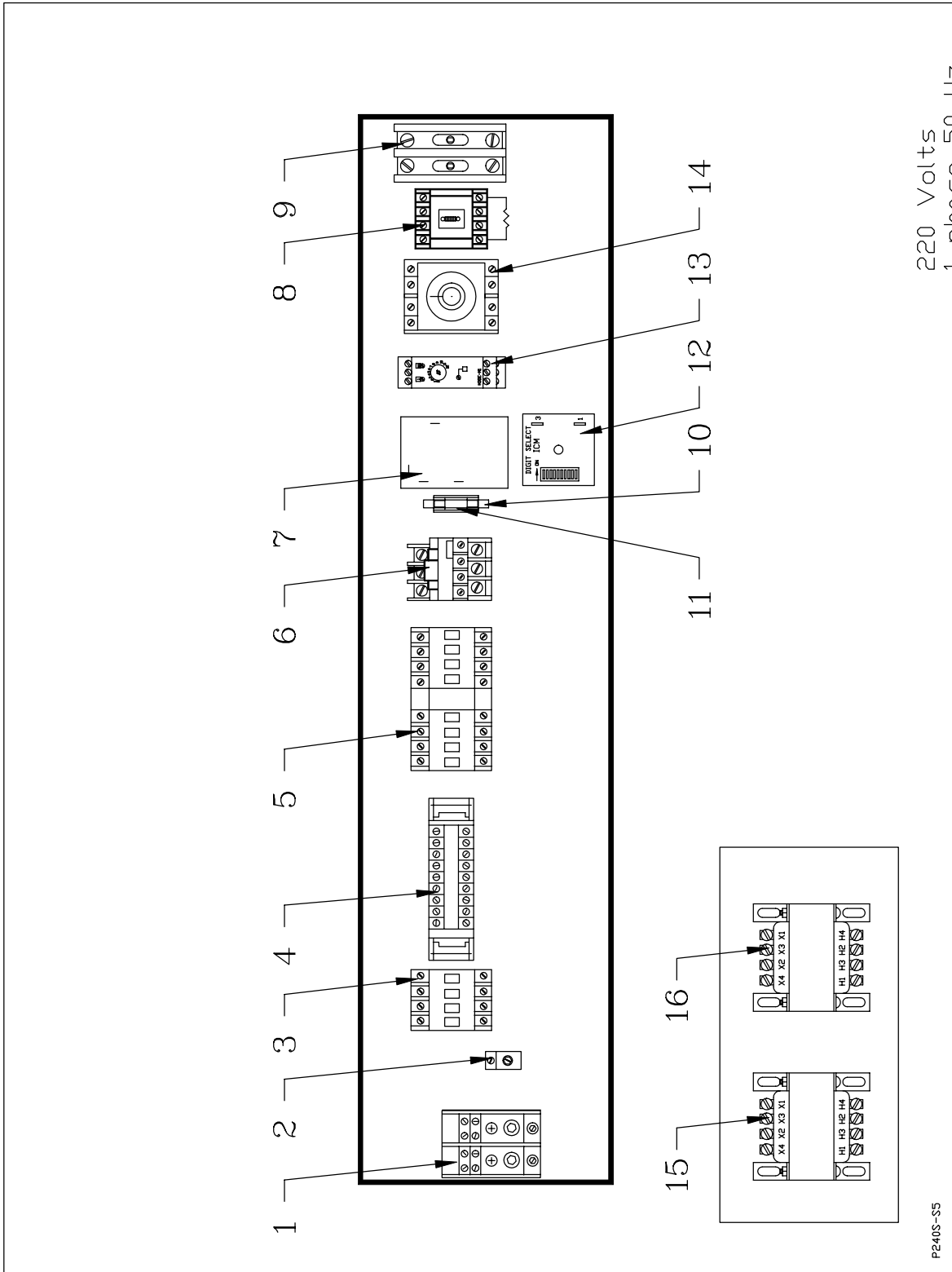
View : INSIDE (See OVEN BACK)



Item	Part Number	Description	Quantity
1	ELB071	TERMINAL BLOCK 2P 175A	2
2	ELL050	GROUND LUG	1
3	ELC908	HEATING CONTACTOR	1
	ELC909	HEATING CONTACTOR, COIL (ONLY)	
4	ELB073	TERMINAL BLOCK 30A	12
5	ELC515	MOTOR REVERSING CONTACTOR 2HP	1
	ELC520	CONTACTOR COIL (ONLY)	
6	ELO215	OVERLOAD RELAY SIMPLE PHASE 2 TO 7 AMPS.	1
AND	ELO220	OVERLOAD RELAY BASE	1
7	ELM715	PRESET TIMER 25SEC. OFF - 150SEC. ON	1
8	ELC615	RELAY 10A 2P COIL 110V	1
AND	ELC617	BASE	1
AND	ELM736	LOAD FOR TIMER	1
9	ELC860	CONTACTOR 2P 30A 110V	1
10	ELF960	LITTLE-FUSE HOLDER 30A 300V	1
11	ELF732	LITTLE-FUSE 8A SLO-BLO	2
12	ELM735	SOLID STATE TIMER ICM FOR CH460,JAOP3-G, FC2-G AND E233	1
13	ELM614	OMRON STEAM TIMER H3DE	1
14	ELM720	OMRON CONTROL TIMER (11 PIN) H3CR (FOR OPTION DELAY)	1
AND	ELM729	11 PIN BASE (FOR OPTION DELAY)	1

Model : P208S-S5 (JAOP3-E DELAI VAP.)

View : INSIDE (See OVEN BACK)

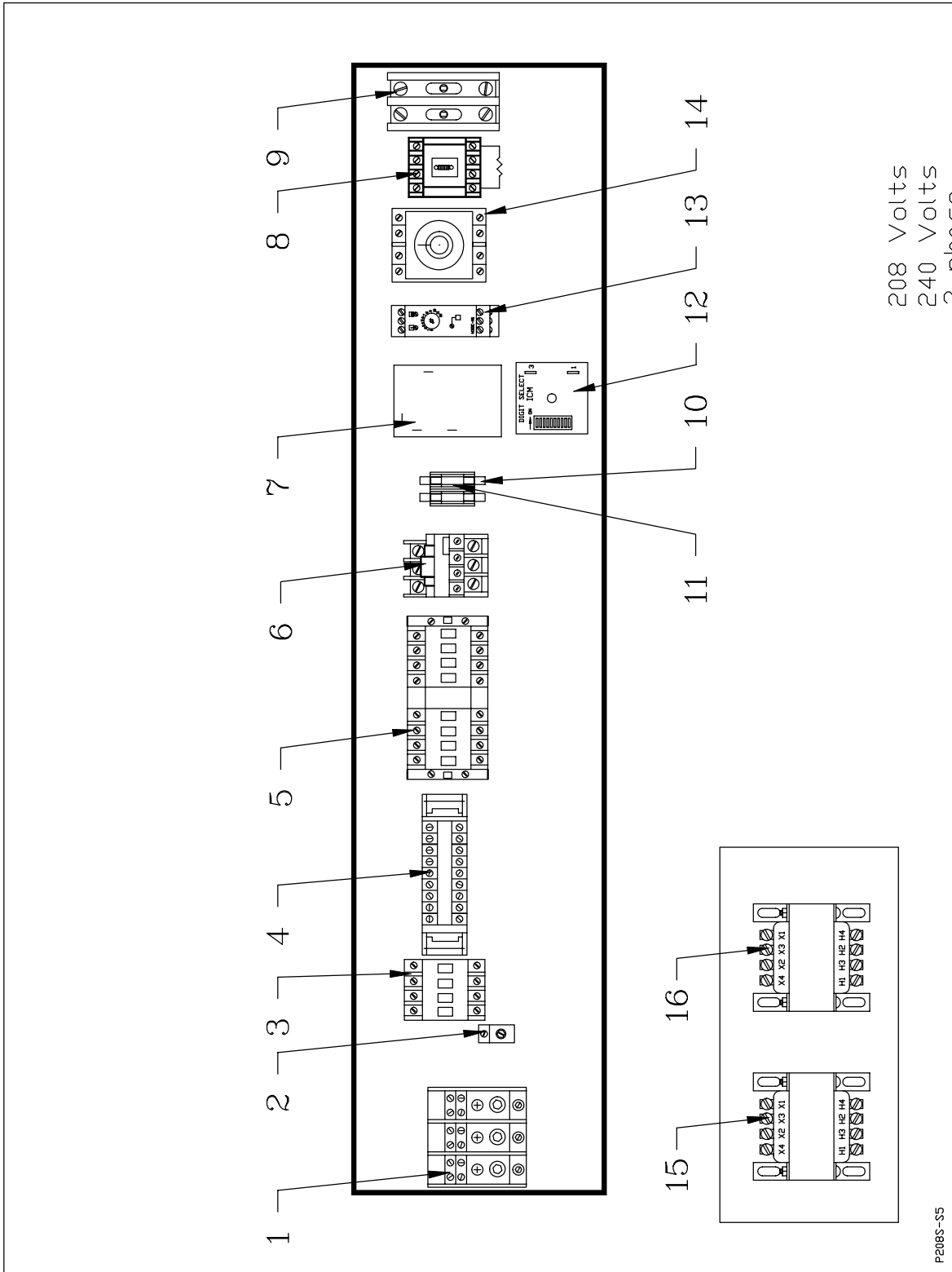


220 Volts
 1 phase 50 Hz
 Simple - JADP3DV

Item	Part Number	Description	Quantity
1	ELB071	TERMINAL BLOCK 2P 175A	1
2	ELL050	GROUND LUG	1
3	ELC908	HEATING CONTACTOR	1
	ELC909	HEATING CONTACTOR, COIL (ONLY)	
4	ELB073	TERMINAL BLOCK 30A	12
5	ELC515	MOTOR REVERSING CONTACTOR 2HP	1
	ELC520	CONTACTOR COIL (ONLY)	
AND	ELC950	SPRECHER AUXILIARY CONTACT BLOCK	2
6	ELO215	OVERLOAD RELAY SIMPLE PHASE 2 TO 7 AMPS.	1
AND	ELO220	OVERLOAD RELAY BASE	1
7	ELM715	PRESET TIMER 25SEC. OFF - 150SEC. ON	1
8	ELC615	RELAY 10A 2P COIL 110V	1
AND	ELC617	BASE	1
AND	ELM736	LOAD FOR TIMER	1
9	ELC860	CONTACTOR 2P 30A 110V	1
10	ELF960	LITTLE-FUSE HOLDER 30A 300V	1
11	ELF732	LITTLE-FUSE 8A SLO-BLO	2
12	ELM735	SOLID STATE TIMER ICM FOR CH460,JAOP3-G, FC2-G AND E233	1
13	ELM614	OMRON STEAM TIMER H3DE	1
14	ELM720	OMRON CONTROL TIMER (11 PIN) H3CR (FOR OPTION DELAY)	1
AND	ELM729	11 PIN BASE (FOR OPTION DELAY)	1
15	ELT712	TRANSFORMER 240/120 50VA	1
OR	ELT725	TRANSFORMER 240/120 250VA	1
16	ELT715	TRANSFORMER 240>120 100VA	1
OR	ELT725	TRANSFORMER 240/120 250VA	1

Model : P240S-S5208

View : INSIDE (See OVEN BACK)

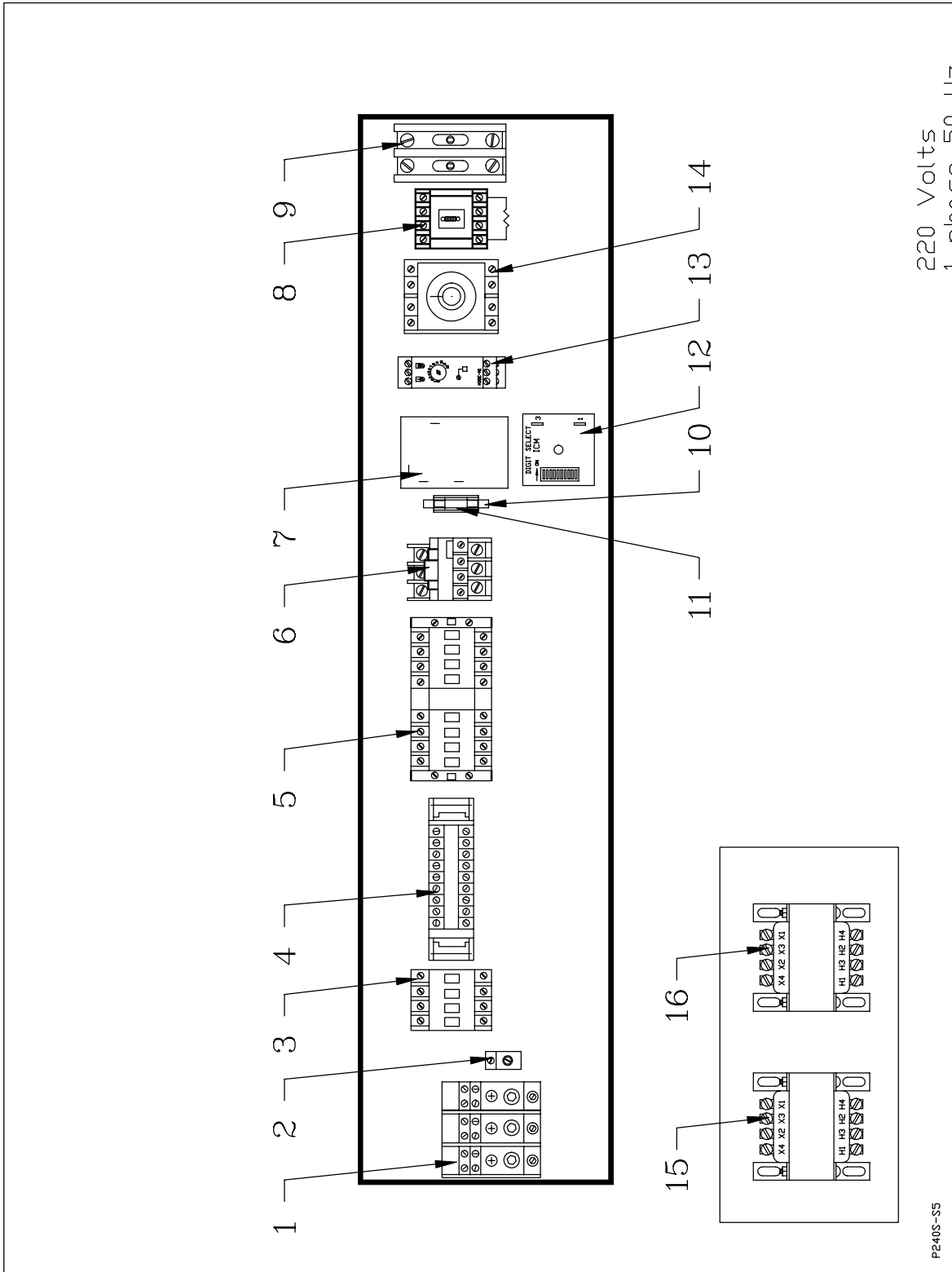


208 Volts
240 Volts
3 phase
Simple-JADP3DV

Item	Part Number	Description	Quantity
1	ELB072	TERMINAL BLOCK 3P 175A	1
2	ELL050	GROUND LUG	1
3	ELC908	HEATING CONTACTOR	1
	ELC909	HEATING CONTACTOR, COIL (ONLY)	
4	ELB073	TERMINAL BLOCK 30A	12
5	ELC515	MOTOR REVERSING CONTACTOR 2HP	1
	ELC520	CONTACTOR COIL (ONLY)	
AND	ELC950	SPRECHER AUXILIARY CONTACT BLOCK	2
6	ELO215	OVERLOAD RELAY SIMPLE PHASE 2 TO 7 AMPS.	1
AND	ELO220	OVERLOAD RELAY BASE	1
7	ELM715	PRESET TIMER 25SEC. OFF - 150SEC. ON	1
8	ELC615	RELAY 10A 2P COIL 110V	1
AND	ELC617	BASE	1
AND	ELM736	LOAD FOR TIMER	1
9	ELC860	CONTACTOR 2P 30A 110V	1
10	ELF960	LITTLE-FUSE HOLDER 30A 300V	1
11	ELF732	LITTLE-FUSE 8A SLO-BLO	2
12	ELM735	SOLID STATE TIMER ICM FOR CH460,JAOP3-G, FC2-G AND E233	1
13	ELM614	OMRON STEAM TIMER H3DE	1
14	ELM720	OMRON CONTROL TIMER (11 PIN) H3CR (FOR OPTION DELAY)	1
AND	ELM729	11 PIN BASE (FOR OPTION DELAY)	1
15	ELT712	TRANSFORMER 240/120 50VA	1
OR	ELT725	TRANSFORMER 240/120 250VA	1
16	ELT715	TRANSFORMER 240>120 100VA	1
OR	ELT725	TRANSFORMER 240/120 250VA	1

Model : P240S-S5208(3PH)

View : INSIDE (See OVEN BACK)

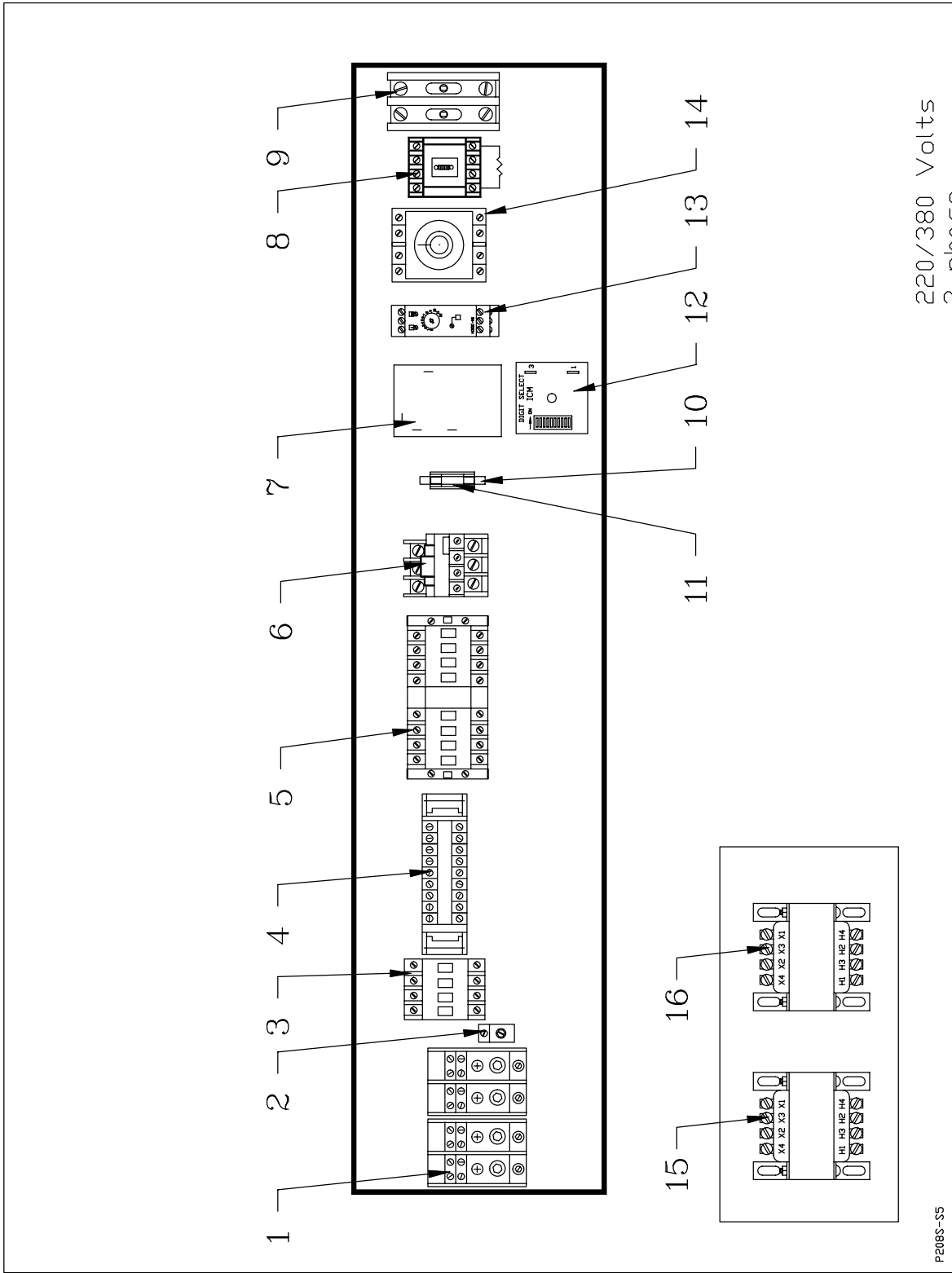


220 Volts
 1 phase 50 Hz
 Simple - JADP3DV

Item	Part Number	Description	Quantity
1	ELB071	TERMINAL BLOCK 2P 175A	1
2	ELL050	GROUND LUG	1
3	ELC908	HEATING CONTACTOR	1
	ELC909	HEATING CONTACTOR, COIL (ONLY)	
4	ELB073	TERMINAL BLOCK 30A	12
5	ELC515	MOTOR REVERSING CONTACTOR 2HP	1
	ELC520	CONTACTOR COIL (ONLY)	
AND	ELC950	SPRECHER AUXILIARY CONTACT BLOCK	2
6	ELO215	OVERLOAD RELAY SIMPLE PHASE 2 TO 7 AMPS.	1
AND	ELO220	OVERLOAD RELAY BASE	1
7	ELM715	PRESET TIMER 25SEC. OFF - 150SEC. ON	1
8	ELC615	RELAY 10A 2P COIL 110V	1
AND	ELC617	BASE	1
AND	ELM736	LOAD FOR TIMER	1
9	ELC860	CONTACTOR 2P 30A 110V	1
10	ELF960	LITTLE-FUSE HOLDER 30A 300V	1
11	ELF732	LITTLE-FUSE 8A SLO-BLO	1
12	ELM735	SOLID STATE TIMER ICM FOR CH460,JAOP3-G, FC2-G AND E233	1
13	ELM614	OMRON STEAM TIMER H3DE	1
14	ELM720	OMRON CONTROL TIMER (11 PIN) H3CR (FOR OPTION DELAY)	1
AND	ELM729	11 PIN BASE (FOR OPTION DELAY)	1
15	ELT712	TRANSFORMER 240/120 50VA	1
OR	ELT725	TRANSFORMER 240/120 250VA	1
16	ELT715	TRANSFORMER 240>120 100VA	1
OR	ELT725	TRANSFORMER 240/120 250VA	1

Model : JAOP3-97R (220V)

View : INSIDE (See OVEN BACK)

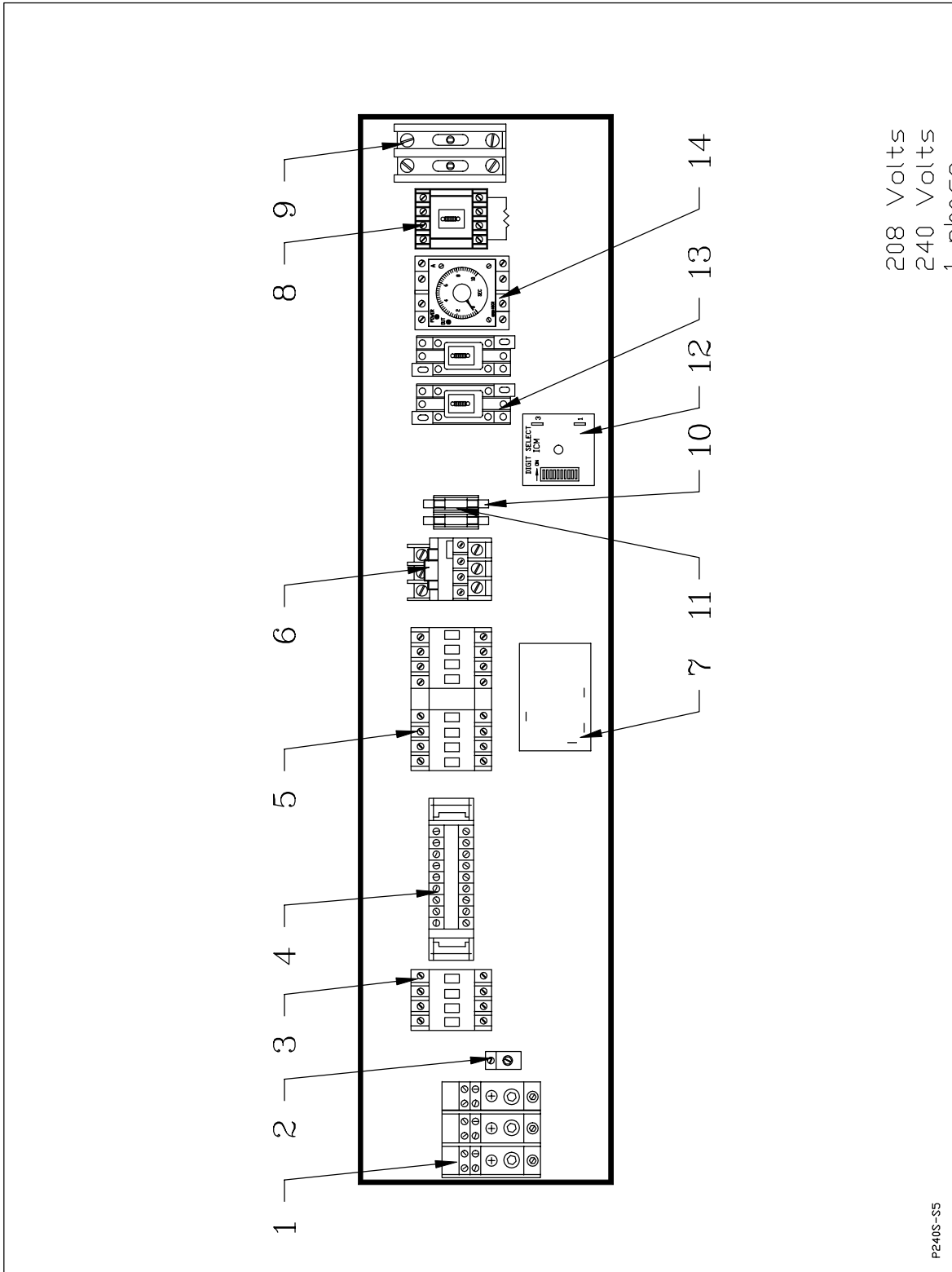


220/380 Volts
3 phase
Simple-JADP3DV

Item	Part Number	Description	Quantity
1	ELB071	TERMINAL BLOCK 2P 175A	2
2	ELL050	GROUND LUG	1
3	ELC908	HEATING CONTACTOR	1
	ELC909	HEATING CONTACTOR, COIL (ONLY)	
4	ELB073	TERMINAL BLOCK 30A	12
5	ELC515	MOTOR REVERSING CONTACTOR 2HP	1
	ELC520	CONTACTOR COIL (ONLY)	1
6	ELO215	OVERLOAD RELAY SIMPLE PHASE 2 TO 7 AMPS.	1
AND	ELO220	OVERLOAD RELAY BASE	1
7	ELM715	PRESET TIMER 25SEC. OFF - 150SEC. ON	1
8	ELC615	RELAY 10A 2P COIL 110V	1
AND	ELC617	BASE	1
AND	ELM736	LOAD FOR TIMER	1
9	ELC860	CONTACTOR 2P 30A 110V	1
10	ELF960	LITTLE-FUSE HOLDER 30A 300V	1
11	ELF732	LITTLE-FUSE 8A SLO-BLO	1
12	ELM735	SOLID STATE TIMER ICM FOR CH460,JAOP3-G, FC2-G AND E233	1
13	ELM614	OMRON STEAM TIMER H3DE	1
14	ELM720	OMRON CONTROL TIMER (11 PIN) H3CR(OPTION DELAY)	1
AND	ELM729	11 PIN BASE(OPTION DELAY)	1
15	ELT712	TRANSFORMER 240/120 50VA	1
OR	ELT725	TRANSFORMER 240/120 250VA	1
16	ELT715	TRANSFORMER 240>120 100VA	1
OR	ELT725	TRANSFORMER 240/120 250VA	1

Model : P208S-S5 (JAOP3-97 220/380/3)

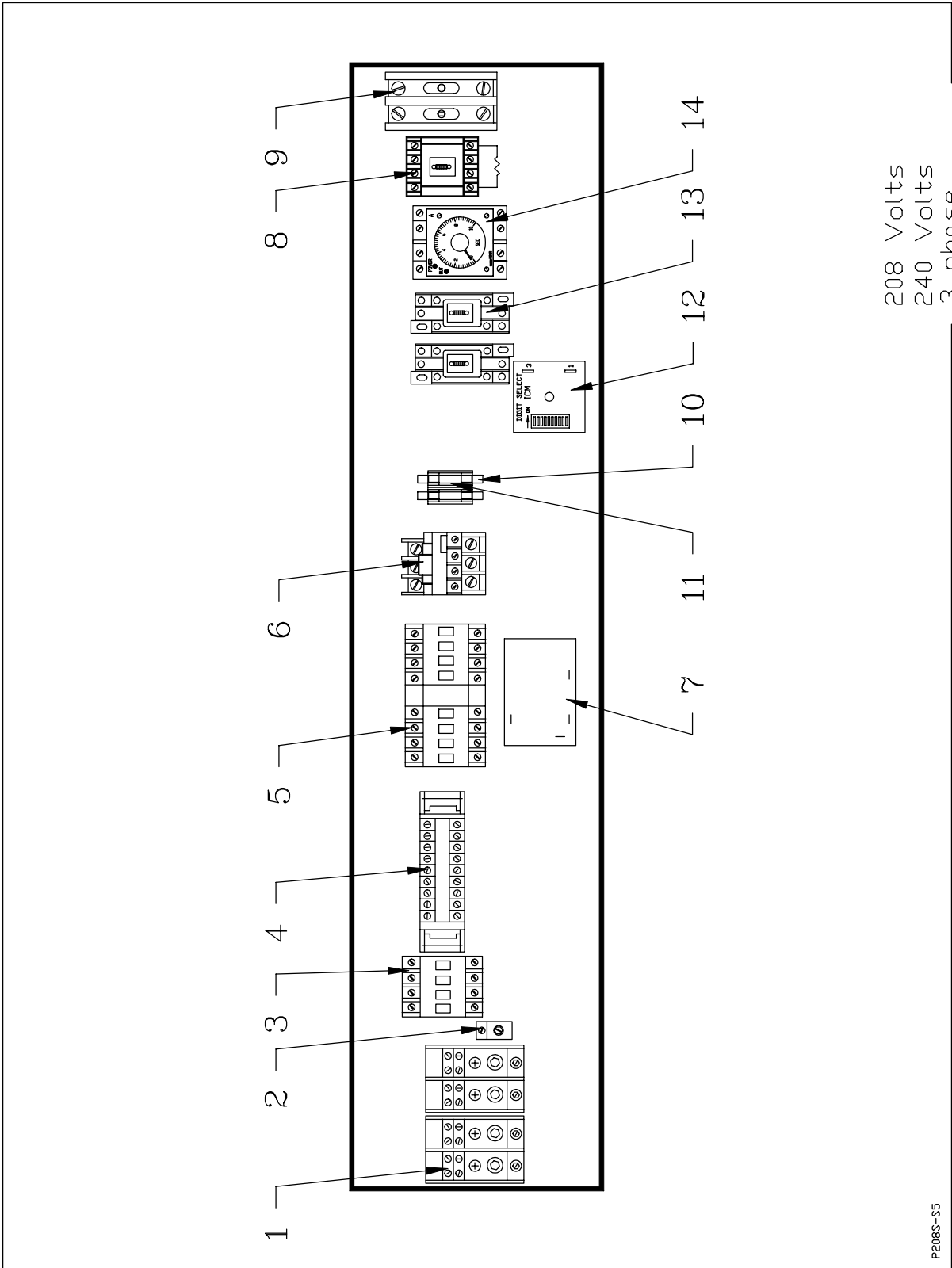
View : INSIDE (See OVEN BACK)



Item	Part Number	Description	Quantity
1	ELB072	TERMINAL BLOCK 3P 175A	1
2	ELL050	GROUND LUG	1
3	ELC908	HEATING CONTACTOR	1
	ELC909	HEATING CONTACTOR, COIL (ONLY)	
4	ELB073	TERMINAL BLOCK 30A	12
5	ELC515	MOTOR REVERSING CONTACTOR 2HP	1
	ELC520	CONTACTOR COIL (ONLY)	
6	ELO215	OVERLOAD RELAY SIMPLE PHASE 2 TO 7 AMPS.	1
AND	ELO220	OVERLOAD RELAY BASE	1
7	ELM715	PRESET TIMER 25SEC. OFF - 150SEC. ON	1
8	ELC615	RELAY 10A 2P COIL 110V	1
AND	ELC617	BASE	1
AND	ELM736	LOAD FOR TIMER	1
9	ELC860	CONTACTOR 2P 30A 110V	1
10	ELF960	LITTLE-FUSE HOLDER 30A 300V	2
11	ELF732	LITTLE-FUSE 8A SLO-BLO	2
12	ELM735	SOLID STATE TIMER ICM FOR CH460,JAOP3-G, FC2-G AND E233	1
13	ELC630	CONTROL RELAY 12A COIL 120V	2
AND	ELC640	CONTROL RELAY BASE	2
14	ELM720	OMRON CONTROL TIMER (11 PIN) H3CR	1
AND	ELM729	11 PIN BASE	1

Model : P240S-S5 (WATLOW)

View : INSIDE (See OVEN BACK)



Item	Part Number	Description	Quantity
1	ELB071	TERMINAL BLOCK 2P 175A	2
2	ELL050	GROUND LUG	1
3	ELC908	HEATING CONTACTOR	1
	ELC909	HEATING CONTACTOR, COIL (ONLY)	
4	ELB073	TERMINAL BLOCK 30A	12
5	ELC515	MOTOR REVERSING CONTACTOR 2HP	1
	ELC520	CONTACTOR COIL (ONLY)	
6	ELO215	OVERLOAD RELAY SIMPLE PHASE 2 TO 7 AMPS.	1
AND	ELO220	OVERLOAD RELAY BASE	1
7	ELM715	PRESET TIMER 25SEC. OFF - 150SEC. ON	1
8	ELC615	RELAY 10A 2P COIL 110V	1
AND	ELC617	BASE	1
AND	ELM736	LOAD FOR TIMER	1
9	ELC860	CONTACTOR 2P 30A 110V	1
10	ELF960	LITTLE-FUSE HOLDER 30A 300V	2
11	ELF732	LITTLE-FUSE 8A SLO-BLO	2
12	ELM735	SOLID STATE TIMER ICM FOR CH460,JAOP3-G, FC2-G AND E233	1
13	ELC630	CONTROL RELAY 12A COIL 120V	2
AND	ELC640	CONTROL RELAY BASE	2
14	ELM720	OMRON CONTROL TIMER (11 PIN) H3CR	1
AND	ELM729	11 PIN BASE	1

Model : P208S-S5 (WATLOW)

View : INSIDE (See OVEN BACK)