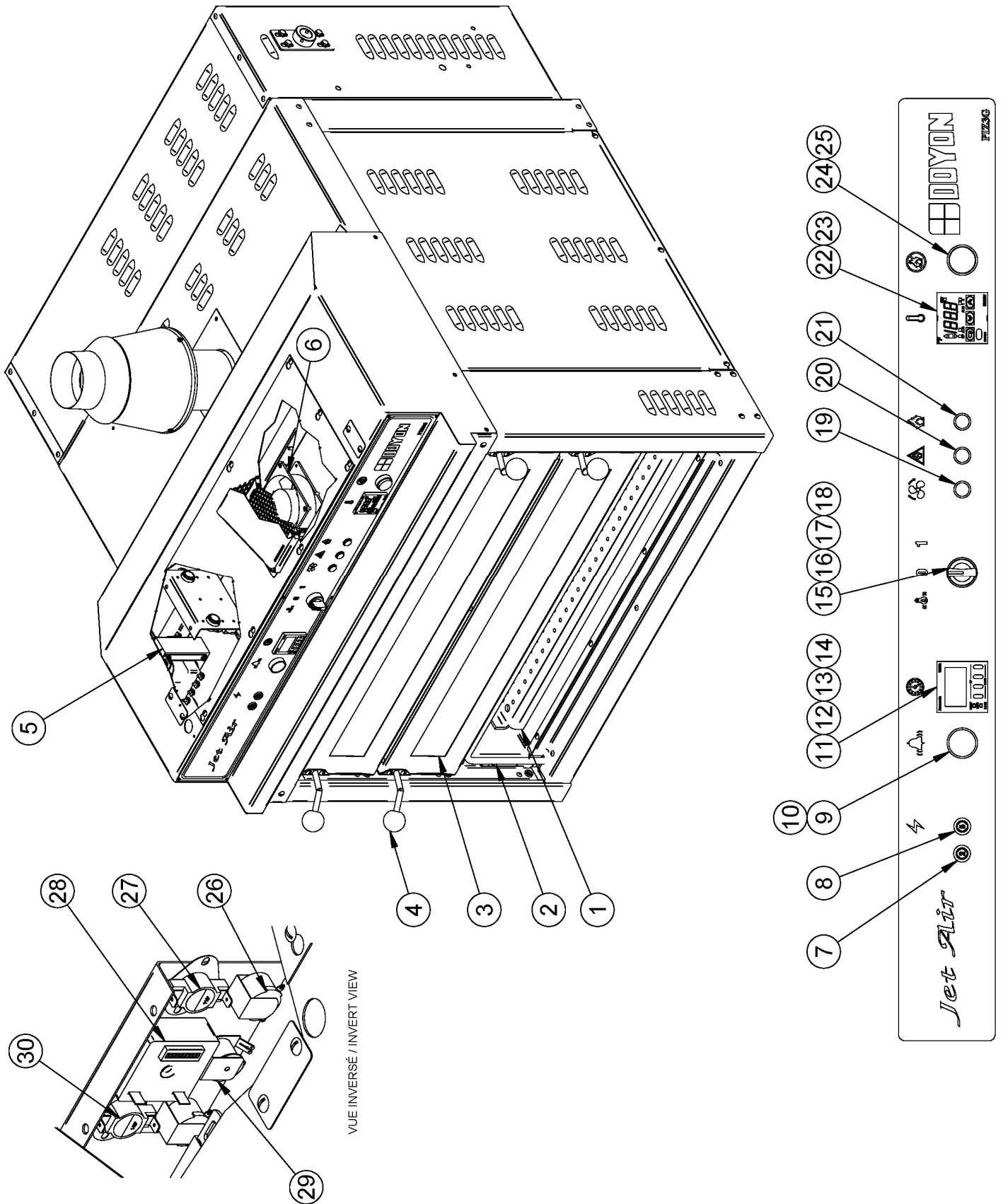
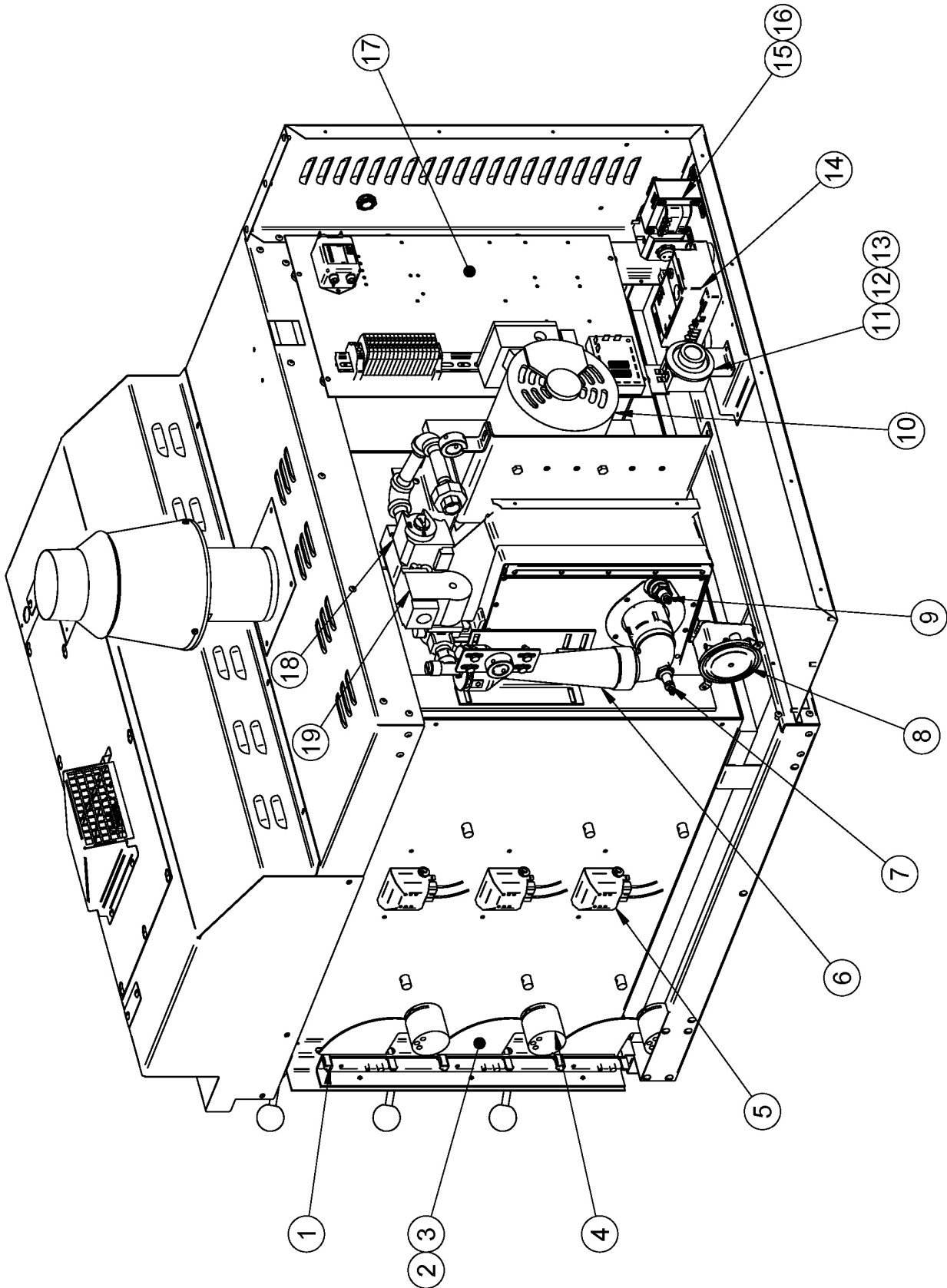


PIZ3G VUE FACE / FRONT VIEW



Item	Part Number	Description	Quantity
1	STPP03	PLATE FOR PIZ3	3
2	QUE100	DOOR GASKET (FIBERGLASS)	3
3	P3106F	DOOR OF PIZ3 31 1/8 X 6 3/8	3
4	QUB600	BLACK KNOB FOR OVEN DOOR HANDLE	6
5	ELT725	TRANSFORMER 120-240 > 120-240 250VA 50Hz	1
OR	ELT715	TRANSFORMER 120-240 > 120-240 100VA 50Hz	1
6	ELM760	COOLING FAN 120V	1
7	ELB098	2A BREAKER	1
8	ELB096	5A BREAKER	1
9	ELP401	BLACK PUSHBUTTON PUSH-IN PUSH-OUT	1
10	ELI406	BASE WITH 1NO	1
11	ELM617	BLACK COVER FOR ELM616	1
12	ELM629	ELECTRONIC TIMER 8 PIN SOCKET	1
13	ELM618	FIXING FOR PANASONIC TIMER	1
14	ELM616	ELECTRONIC TIMER	1
15	ELI403	BLACK SELECTOR 3 POS.	1
16	ELI413	BASE WITH 2NO	1
17	ELI409	CONTACT BLOCK NC	1
18	ELL405	CONTACT BLOCK NO	1
19	ELL660	RED PILOT LIGHT 250V	1
20	ELL650	RED PILOT LIGHT 250V	1
21	ELL680	GREEN PILOT LIGHT 28V	1
22	ELT515	ELECTRONIC THERMOSTAT	1
23	ELM726	FIXING FOR OMRON TIMER	1
24	ELL411	RED PUSHBUTTON ILLUMINATES LED	1
25	ELL410	RED LED BASE 24V WITH 1NC	1
26	ELS950	BUZZER 120V	2
27	ELT507	HIGH LIMIT SWITCH 110°F	1
28	ELM735	SOLID STATE TIMER ICM	1
29	ELS940	BUZZER 24V	1
30	ELT503	HIGH LIMIT SWITCH 140°F	1

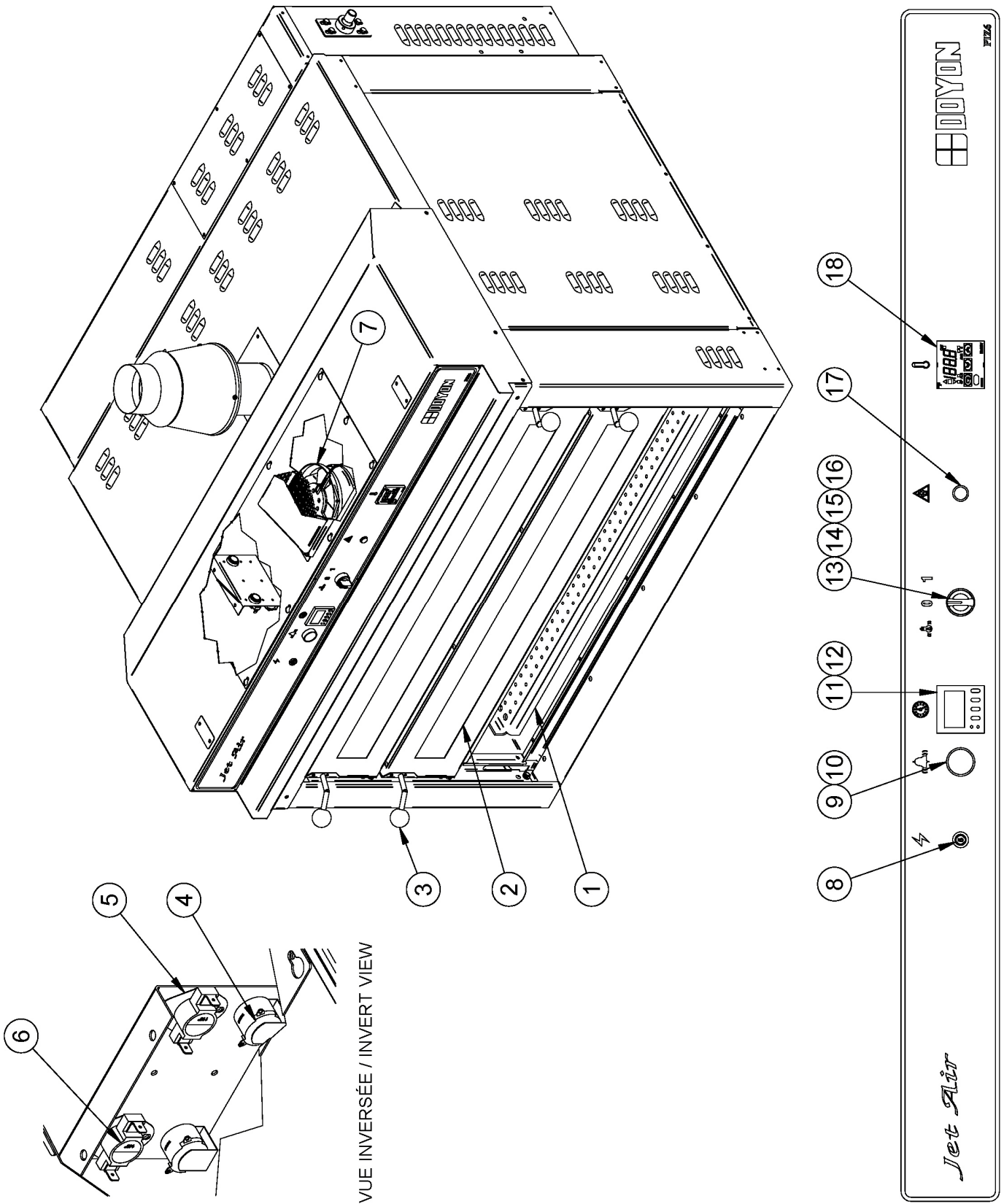
PIZ3G VUE ARRIERE / BACK VIEW



Item	Part Number	Description	Quantity
1	40000030	STOPPER 3/4" FOR DOOR WEIGHT (QUE500)	6
2	GRP005	LEFT HANDLE ASSEMBLED FOR PIZ3	3
3	GRP005A	RIGHT HANDLE ASSEMBLED FOR PIZ3	3
4	50088001	DOOR WEIGHT	6
5	ELD088	SOCKET WITH FRAME 77-708 120VOLT 77-708-0126	3
6	GAM200	ATMOSPHERIC MIXER (GAS OVEN EXCEPT TLO)	1
7	GAD190	IGNITION ELECTRODE	1
8	GAP300	PRESSURE SWITCH	1
9	GAD200	DETECTION ELECTRODE	1
10	ELM820ML	MOTOR 3/4HP 3PH 208/230/460V 50/60HZ FOR GAS OVEN	1
11	ELT620	THERMOSTAT BEZEL	1
12	ELT681	THERMOSTAT KNOB 700°F	1
13	ELT680	THERMOSTAT 700°F	1
14	GAB500	ELECTRONIC CONTROL BOX FOR GAS OVEN (S87D)	1
15	ELT705	TRANSFORMER 120/240 TO 12/24, 100VA	1
16	GAT100	TRANSFORMER 120/25V 20VA	1
17	PELE0029	PIZ3G 1PH 120V 60HZ	1
18	GAC230	HONEYWELL CARBURATOR (NATURAL, EXCEPT TLO)	1
19	GAC235	SOLENOID GAS VALVE 24V 50/60HZ	1

Note: As of April 2010, part ELD088 (#5) will replace parts ELD050 & ELA275.

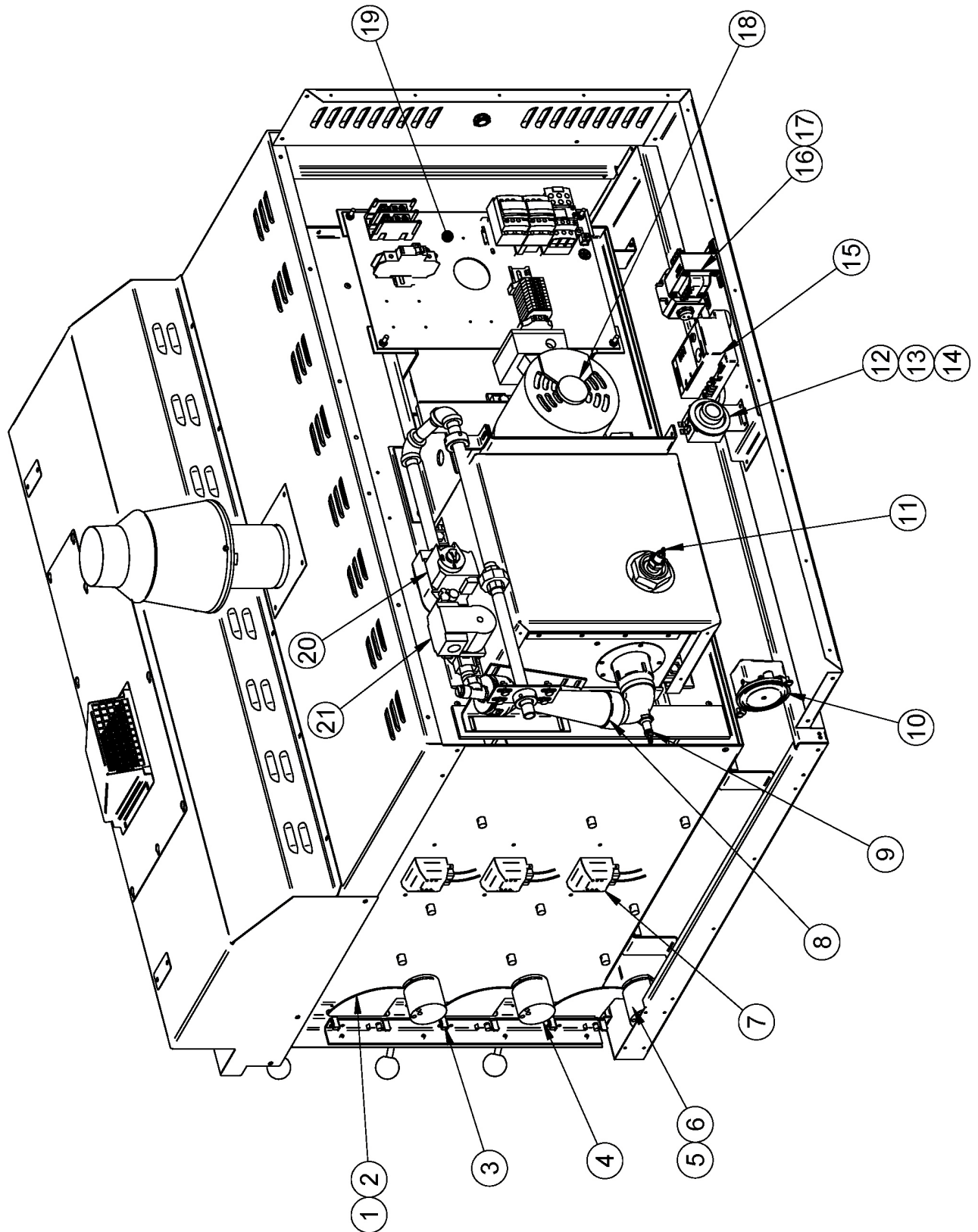
PIZ6G VUE FACE / FRONT VIEW



VUE INVERSÉE / INVERT VIEW

Item	Part Number	Description	Quantity
1	STPP06	PLATE FOR PIZ6	3
2	P4107F	DOOR PIZ6G	3
3	QUB600	BLACK KNOB FOR OVEN DOOR HANDLE	6
4	ELS950	BUZZER 120V	2
5	ELT507	HIGH LIMIT SWITCH 110°F	1
6	ELT503	HIGH LIMIT SWITCH 140°F	1
7	ELM762	COOLING FAN 250 CFM 120V	1
8	ELB096	5A BREAKER	1
9	ELP401	BLACK PUSHBUTTON PUSH-IN PUSH-OUT	1
10	ELI406	BASE WITH 1NO	1
11	ELM616	ELECTRONIC TIMER	1
12	ELM629	ELECTRONIC TIMER 8 PIN SOCKET	1
13	ELI403	BLACK SELECTOR 3 POS.	1
14	ELI413	BASE WITH 2NO	1
15	ELI409	CONTACT BLOCK NC	1
16	ELL405	CONTACT BLOCK NO	1
17	ELL650	RED PILOT LIGHT 250V	1
18	ELT515	ELECTRONIC THERMOSTAT	1

PIZ6G VUE ARRIÈRE / BACK VIEW

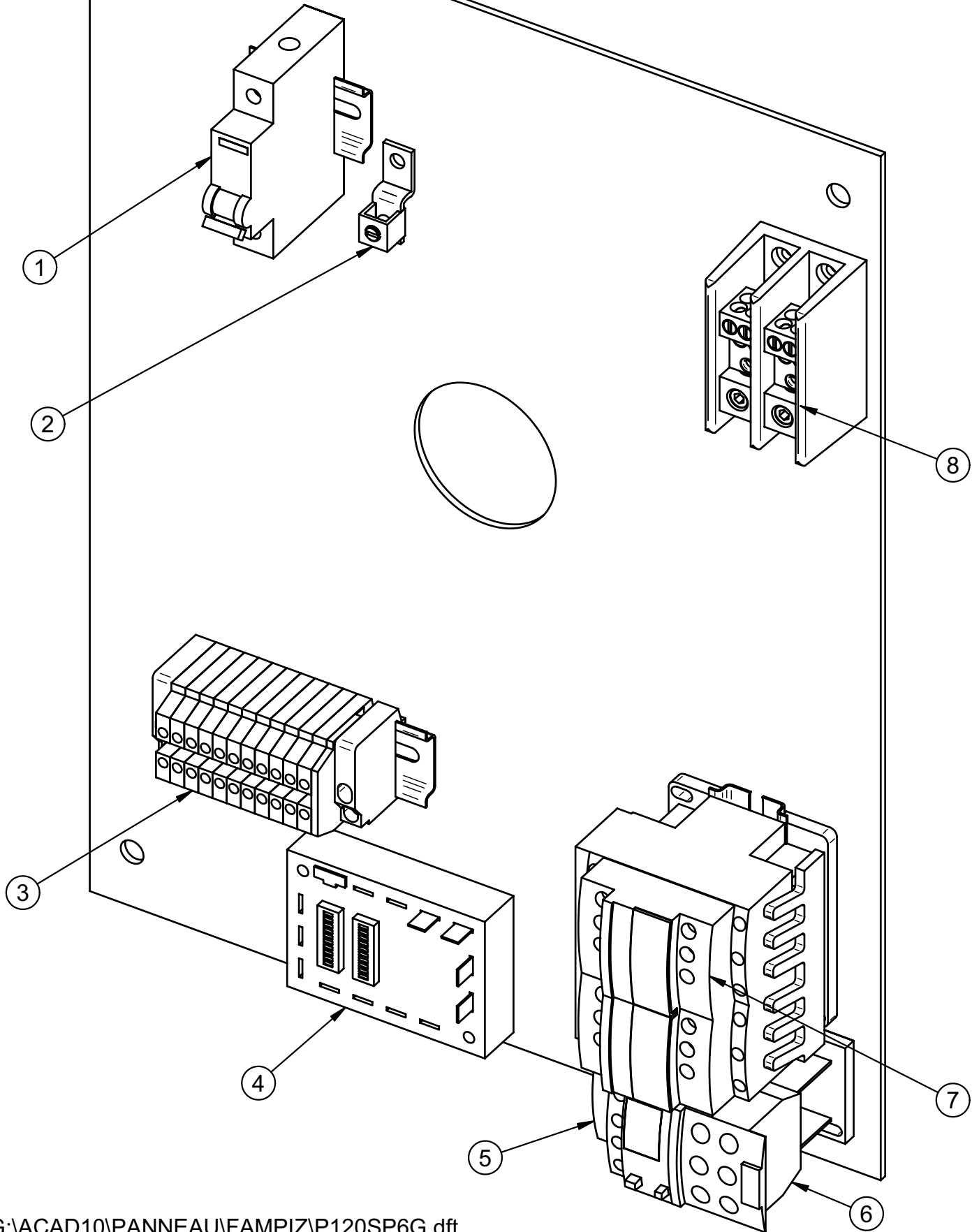


Item	Part Number	Description	Quantity
1	GRP006	LEFT DOOR HANDLE OF PIZ6 & FPR	3
2	GRP006A	RIGHT DOOR HANDLE OF PIZ6 & FPR	3
3	40000030	STOPPER 3/4" FOR DOOR WEIGHT (QUE500)	6
4	50089001	COUNTERWEIGHT	4
5	50088002	COUNTERWEIGHT RIGHT SIDE	1
6	50089004	COUNTERWEIGHT LEFT SIDE	1
7	ELD088	SOCKET WITH FRAME 77-708 120VOLT 77-708-0126	6
8	GAM200	ATMOSPHERIC MIXER (GAS OVEN EXCEPT TLO)	1
9	GAD190	IGNITION ELECTRODE	1
10	GAP300	PRESSURE SWITCH	1
11	GAD200X	DETECTION ELECTRODE	1
12	ELT620	THERMOSTAT BEZEL	1
13	ELT680	THERMOSTAT 700°F	1
14	ELT681	THERMOSTAT KNOB 700°F	1
15	GAB500	ELECTRONIC CONTROL BOX FOR GAS OVEN (S87D)	1
16	ELT705	TRANSFORMER 120/240 TO 12/24, 100VA	1
17	GAT100	TRANSFORMER 120/25V 20VA	1
18	ELM820ML	MOTOR 3/4HP 3PH 208/230/460V 50/60HZ FOR GAS OVEN	1
19	ELP885	CONT. PAN. SIMPLE GAS 120V 1 PH (WITHOUT TIMER, BASE, BOX)	1
20	GAC230	HONEYWELL CARBURATOR (NATURAL, EXCEPT TLO)	1
21	GAC235	SOLENOID GAS VALVE 24V 50/60HZ	1
OR		PANEL 120V 1PH (SEE P120SP6G)	
OR		PANEL 240V 1PH (SEE P240SP6G)	
OR		PANEL 208V 3PH (SEE P208SP6G)	

Note: As of April 2010, part **ELD088** (#7) will replace parts **ELD050** & **ELA275**.

F-1

PIZ6G 120 VOLTS 1 PHASE



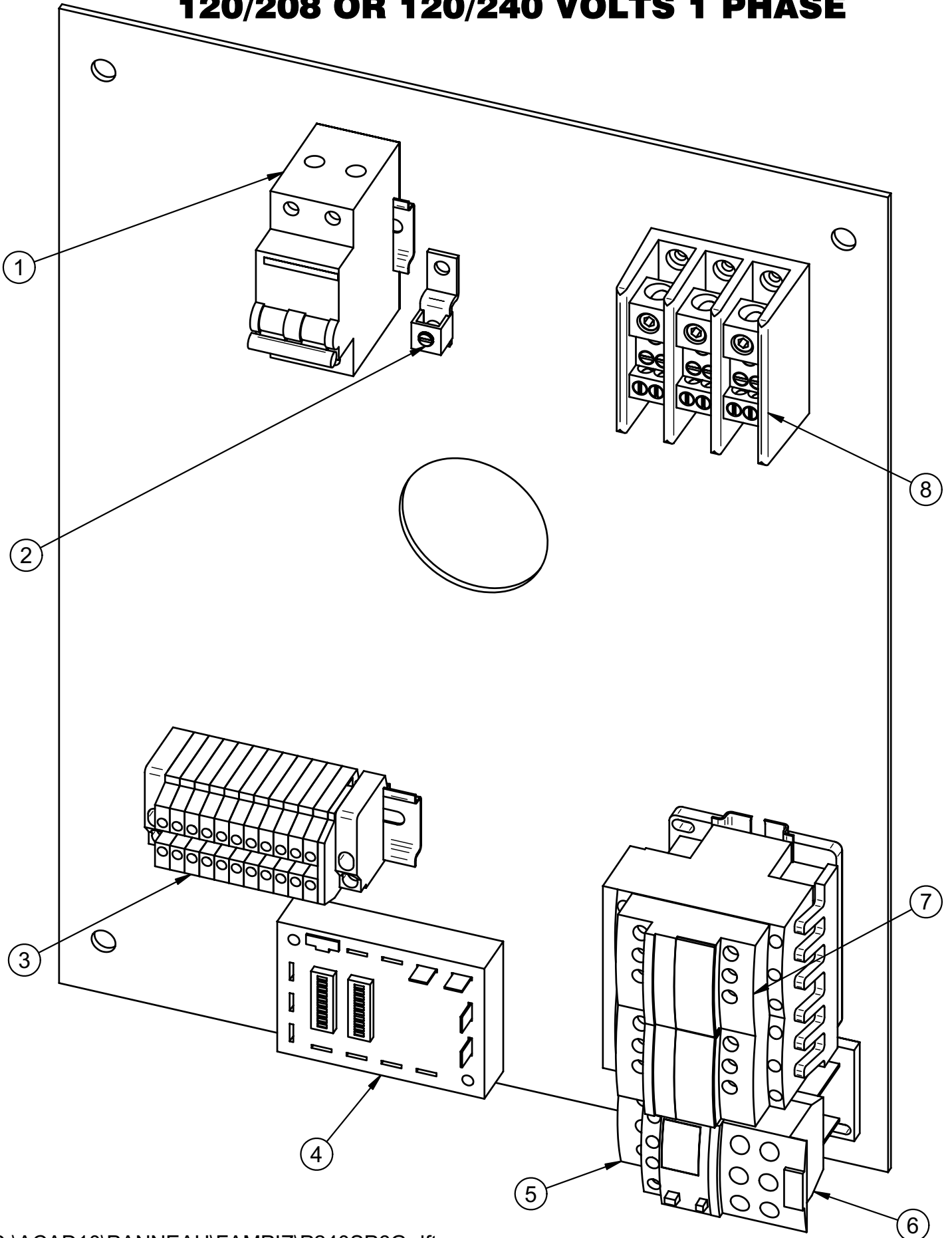
Item	Part Number	Description	Quantity
1	ELB107	15A BREAKER	1
2	ELL050	GROUND LUG	1
3	ELB073	TERMINAL BLOCK 30A	11
4	ELM715	PRESET TIMER 25SEC. OFF - 150SEC. ON	1
5	ELO100	OVERLOAD 7 TO 10 Amps.	1
6	ELO125	OVERLOAD BASE RELAY TÉLÉMÉCANIQUE	1
7	ELC495	MOTOR REVERSING CONTACTOR 2HP	1
8	ELB071	TERMINAL BLOCK 2P 175A 1PHASE	1

Model : P120SP6G

View : INSIDE (See OVEN BACK)

PIZ6G

120/208 OR 120/240 VOLTS 1 PHASE



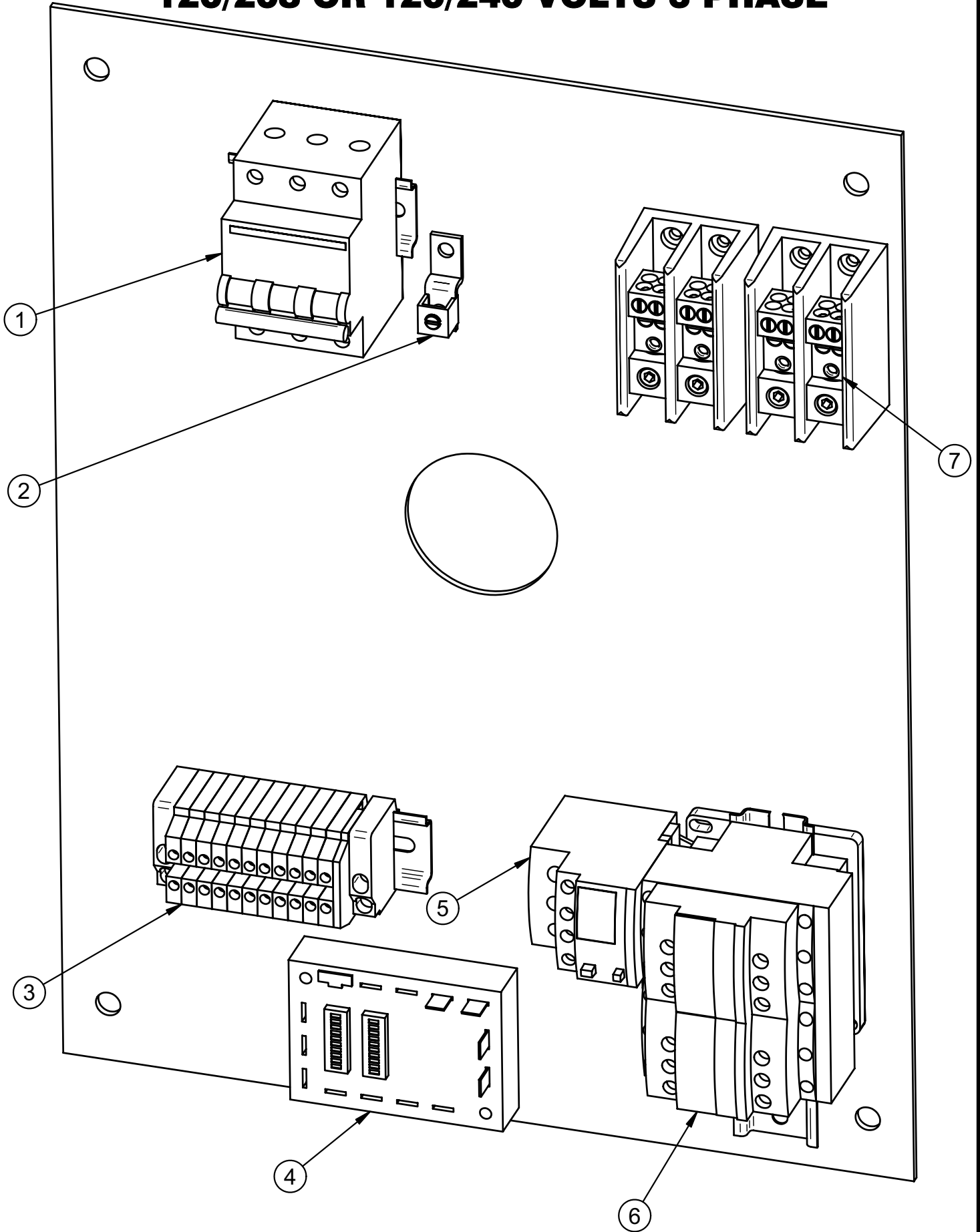
Item	Part Number	Description	Quantity
1	ELB125	DOUBLE POLE BREAKER 8A	1
2	ELL050	GROUND LUG	1
3	ELB073	TERMINAL BLOCK 30A	11
4	ELM715	PRESET TIMER 25SEC. OFF - 150SEC. ON	1
5	ELO098	OVERLOAD TELEMECANIQUE 2.5 TO 4 AMPS	1
6	ELO125	OVERLOAD BASE RELAY TÉLÉMÉCANIQUE	1
7	ELC495	MOTOR REVERSING CONTACTOR 2HP	1
8	ELB072	TERMINAL BLOCK 3P 175A	1

Model : P240SP6G(240V PIZ-6-G)

View : INSIDE (See OVEN BACK)

PIZ6G

120/208 OR 120/240 VOLTS 3 PHASE

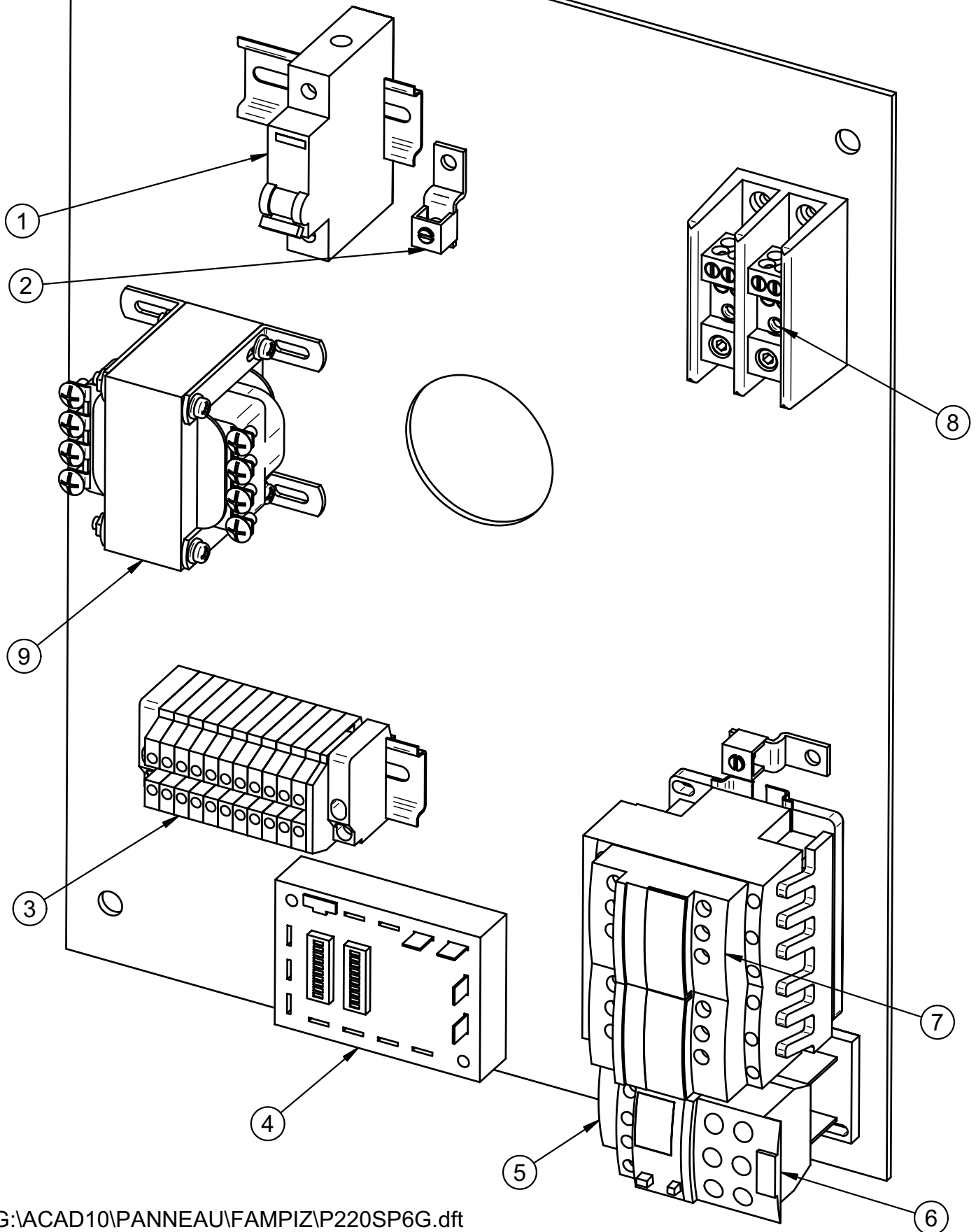


Item	Part Number	Description	Quantity
1	ELB121	TRIPLE POLE BREAKER 8A	1
2	ELL050	GROUND LUG	1
3	ELB073	TERMINAL BLOCK 30A	11
4	ELM715	PRESET TIMER 25SEC. OFF - 150SEC. ON	1
5	ELO098	OVERLOAD TELEMECANIQUE 2.5 TO 4 AMPS	1
6	ELC495	MOTOR REVERSING CONTACTOR 2HP	1
7	ELB071	TERMINAL BLOCK 2P 175A 1PHASE	2

Model : P208SP6G (PIZ6G)

View : INSIDE (See OVEN BACK)

PIZ6G 220 VOLTS 1 PHASE



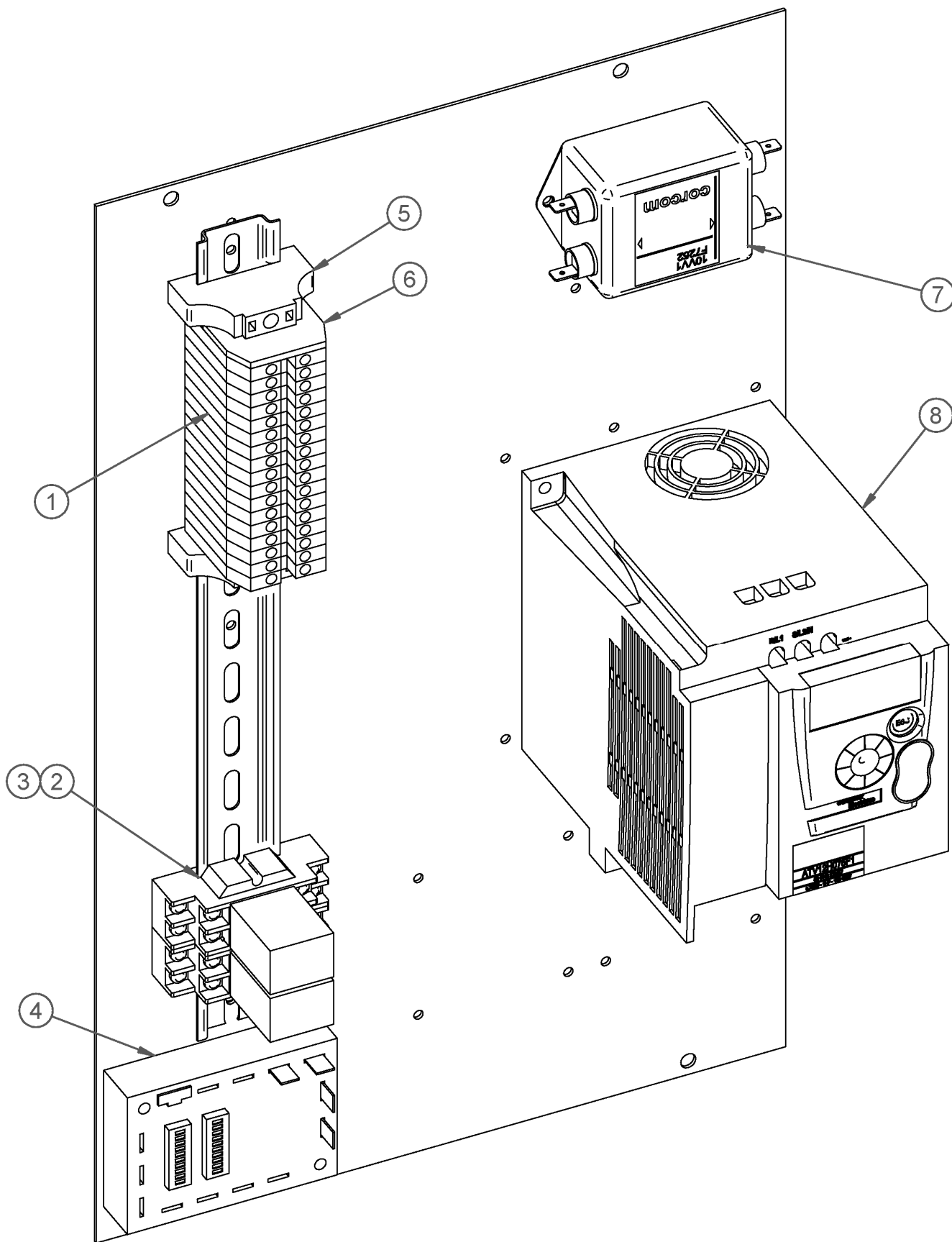
Item	Part Number	Description	Quantity
1	ELB107	15A BREAKER	1
2	ELL050	GROUND LUG	2
3	ELB073	TERMINAL BLOCK 30A	11
4	ELM715	PRESET TIMER 25SEC. OFF - 150SEC. ON	1
5	ELO098	OVERLOAD TELEMÉCANIQUE 2.5 TO 4 AMPS	1
6	ELO125	OVERLOAD BASE RELAY TÉLÉMÉCANIQUE	1
7	ELC495	MOTOR REVERSING CONTACTOR 2HP	1
8	ELB071	TERMINAL BLOCK 2P 175A 1PHASE	1
9	ELT715	TRANSFORMER 240>120 100VA	1

Model : P220SP6G (PIZ6G)

View : INSIDE (See OVEN BACK)

PIZ3G

PIZ3G 1PH 120V 60HZ



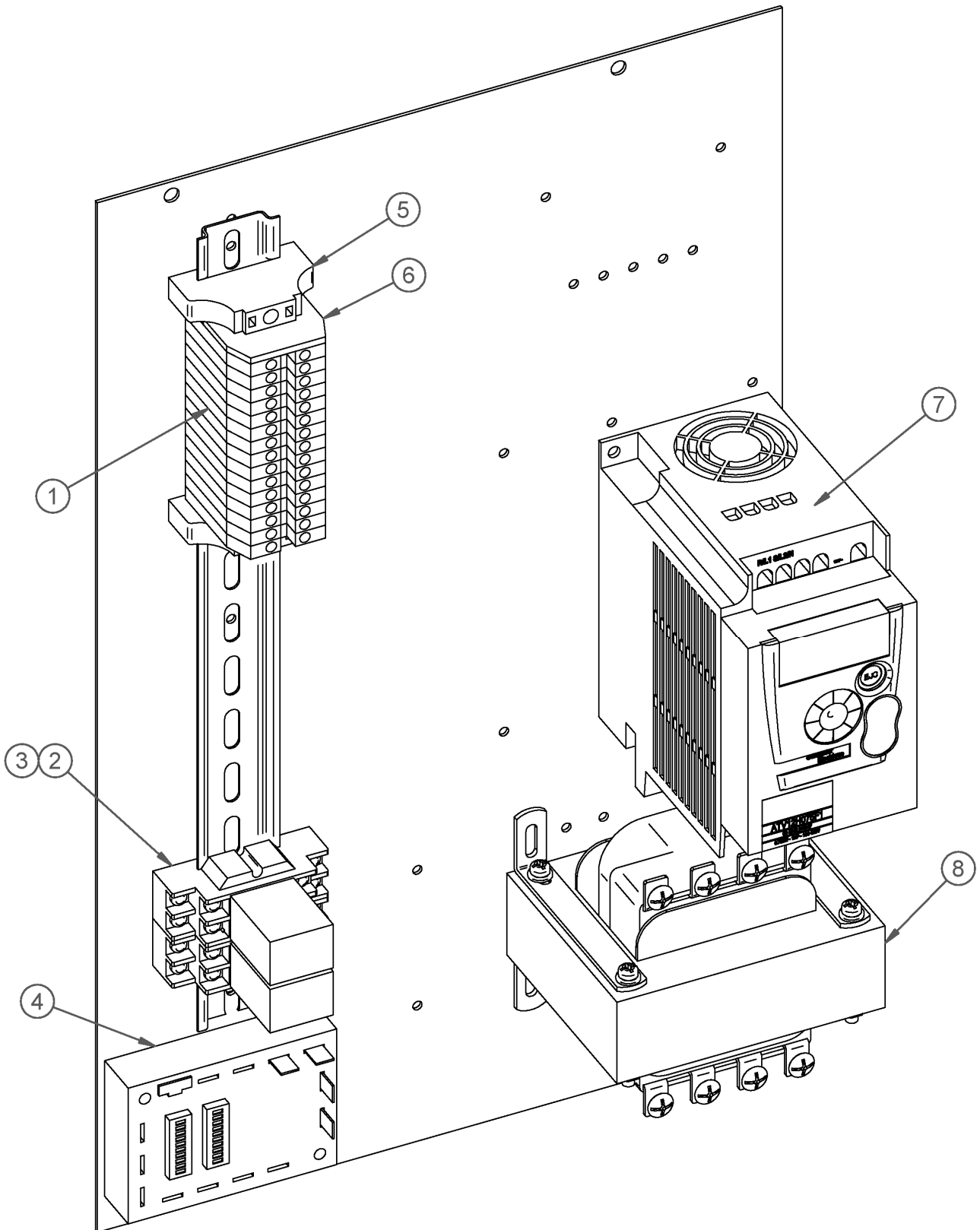
Item	Part Number	Description	Quantity
1	ELB073	TERMINAL BLOCK 30A	17
2	ELC640	CONTROL RELAY BASE	2
3	ELC630	CONTROL RELAY 12A COIL 120V	2
4	ELM715	TIMER (OVEN WITH REVERSIBLE MOTOR)	1
5	ELB073A	ELECTRIC ATTACH	2
6	ELB073B	INSULATING BARRIER	1
7	ELF220	1 PHASE MOTOR LINE FILTER	1
8	FEV032	INVERTER #ATV12H075F1 (1PH 100-120V 0,75KW)	1

Model: P120SP3G (PIZ3G & PIZ3GEU)

View: INSIDE (See OVEN BACK)

PIZ3G

PIZ3G 1PH 208-240V 60HZ



Item	Part Number	Description	Quantity
1	ELB073	TERMINAL BLOCK 30A	15
2	ELC640	CONTROL RELAY BASE	2
3	ELC630	CONTROL RELAY 12A COIL 120V	2
4	ELM715	TIMER (OVEN WITH REVERSIBLE MOTOR)	1
5	ELB073A	ELECTRIC ATTACH	2
6	ELB073B	INSULATING BARRIER	1
7	FEV033	INVERTER #ATV12H075M2 (1PH 200-240V 0,75KW)	1
8	ELT725	TRANSFORMER 120-240 > 120-240 250VA 50Hz	1

Model: P240SP3G (PIZ3G & PIZ3GEU)

View: INSIDE (See OVEN BACK)