

FISHER & PAYKEL

REFRIGERATOR FREEZER

RF170BRPX6 N FP US

PRODUCT CODE: 25101-C

PARTS MANUAL

US CA

INTRODUCTION

BRAND	VOLTAGE	MODEL	PRODUCT CODE
Fisher & Paykel	110-120 60Hz	RF170BRPX6 N FP US	25101-C

MODELS

- The models covered by this manual are listed on the front cover.
- The information detailed in this manual is subject to change without notice. The latest version is indicated by the reprint date and replaces any earlier editions.

KIT PARTS

Where a part number is shown against the descriptions for kit components, they are also available as separate items. In addition, some parts may be supplied with these kits that are not available as separate items, and are therefore either not listed, or a part number is not shown against the part description in this manual.

PARTS LIST KEY

NI	As a part reference, indicates the part is not illustrated on the diagram.
NOT USED	As a part number, indicates the diagram part reference is not used in this manual.
NS	As a part number, indicates the part is not servicable.

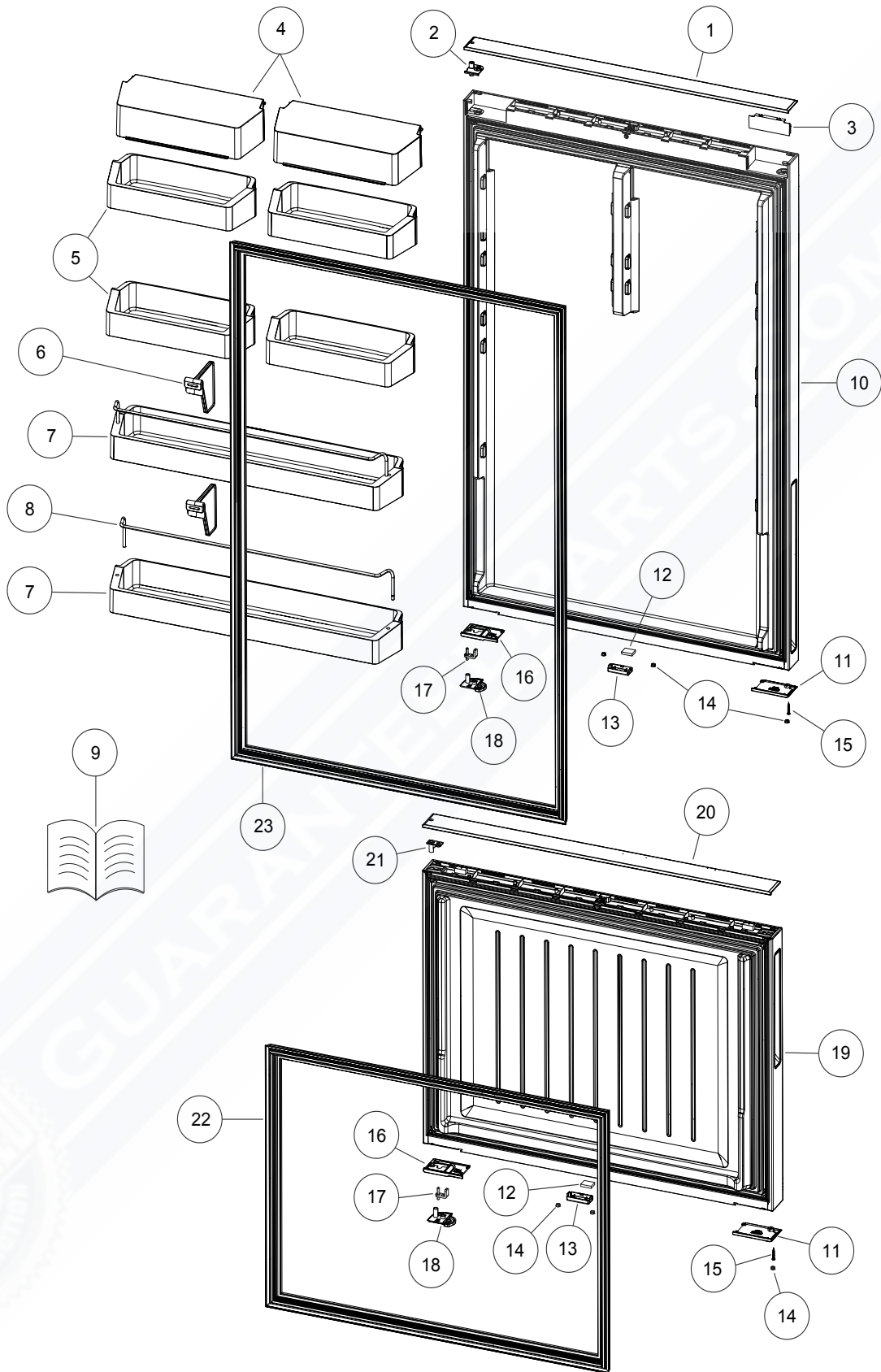
CONTENTS

INTRODUCTION	1
DOOR COMPONENTS	3
CABINET COMPONENTS	5
CABINET ACCESSORIES	11
EVAPORATOR AREA COMPONENTS	13
DUCT COVER COMPONENTS	17
TERMINAL, PLUGS & SOCKETS	19
COMPRESSOR AREA COMPONENTS	21

GUARANTEEDPARTS.COM



DOOR COMPONENTS



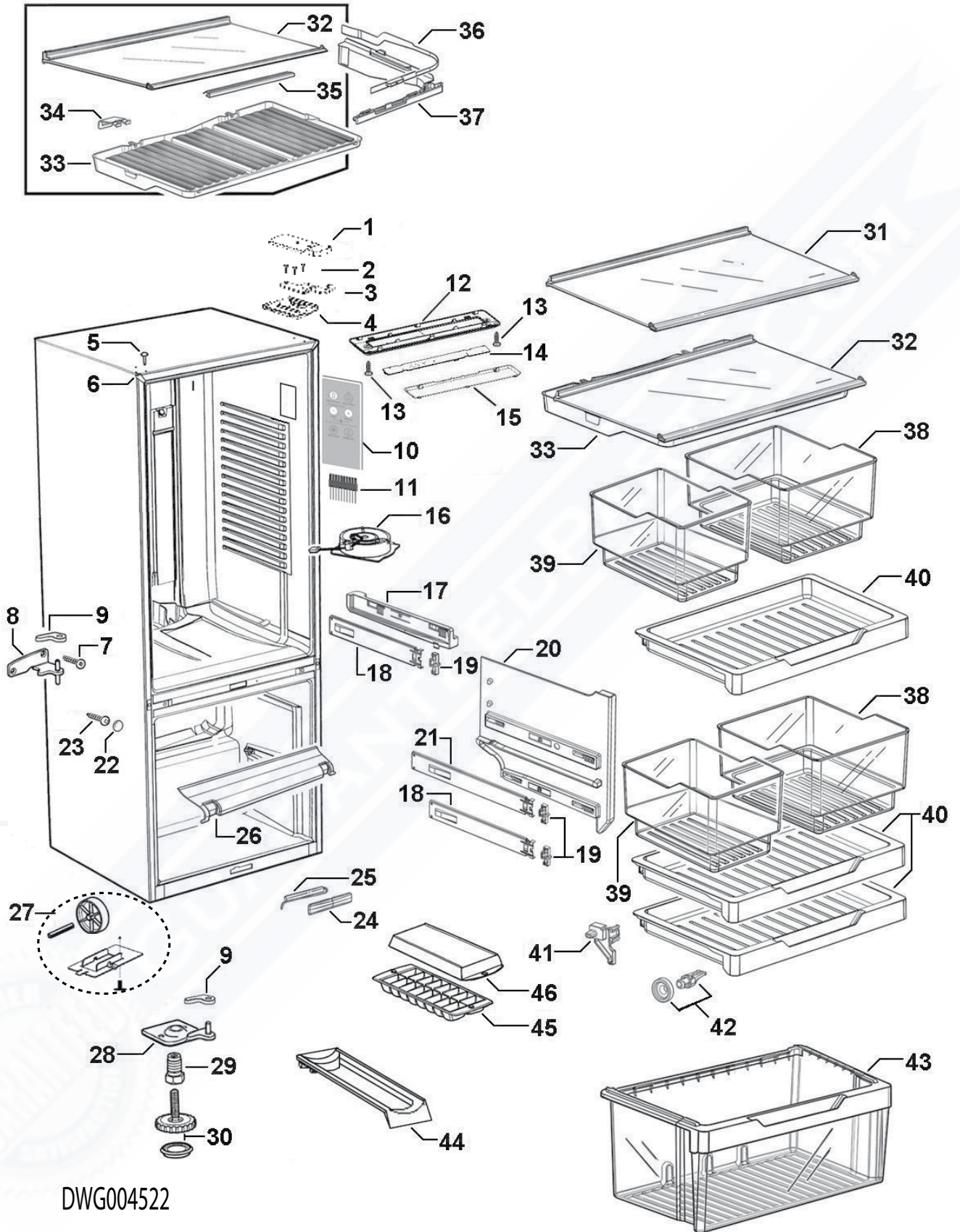
DWG004189

DWG 004189

DOOR COMPONENTS

REFERENCE	PART NUMBER	PART DESCRIPTION
1	842125	COVER DOOR SF TOP 790B GR
2	839659	BEARING HINGE WATER RH UD
3	842103	COVER DOOR TOP NONHINGE GR
4	821467	COVER SHELF RF522W
5	839723	SHELF DOOR SOLID 790
6	821805	DIVIDER BOTTLE 522B
7	821630	SHELF DR BTM RF522W
8	821465	RAIL SHELF DOOR RF522W
9	845266	BOOK UUC AS U-DOOR USA CA
10	848381P	DOOR PC 790X1052.5 P SX2 RH
11	842369P	COVER DOOR BOT NONHINGE RH GR
12	883315	MAGNET DOOR SWITCH ST4
13	842122	COVER MAGNET DOOR UD GR
14	842483P	PLUG DOOR BOTTOM GR
15	817825P	SCREW #8X22 WAFER PH ST TV
16	842372	COVER DR BOT UD HINGE RH GR
17	814537	DOOR STOP ASSY
18	843387	CLOSING HOOK DR STOP RH GR NO
19	849042P	DOOR FC 790X605 P SX2 RH
20	842748	COVER DOOR SF TOP 790B GR RH
21	813931	BEARING HINGE TOP GR
22	841373P	GASKET FRAME PUSHIN 790B FC
23	841362P	GASKET FRAME PUSHIN 522B PC

CABINET COMPONENTS



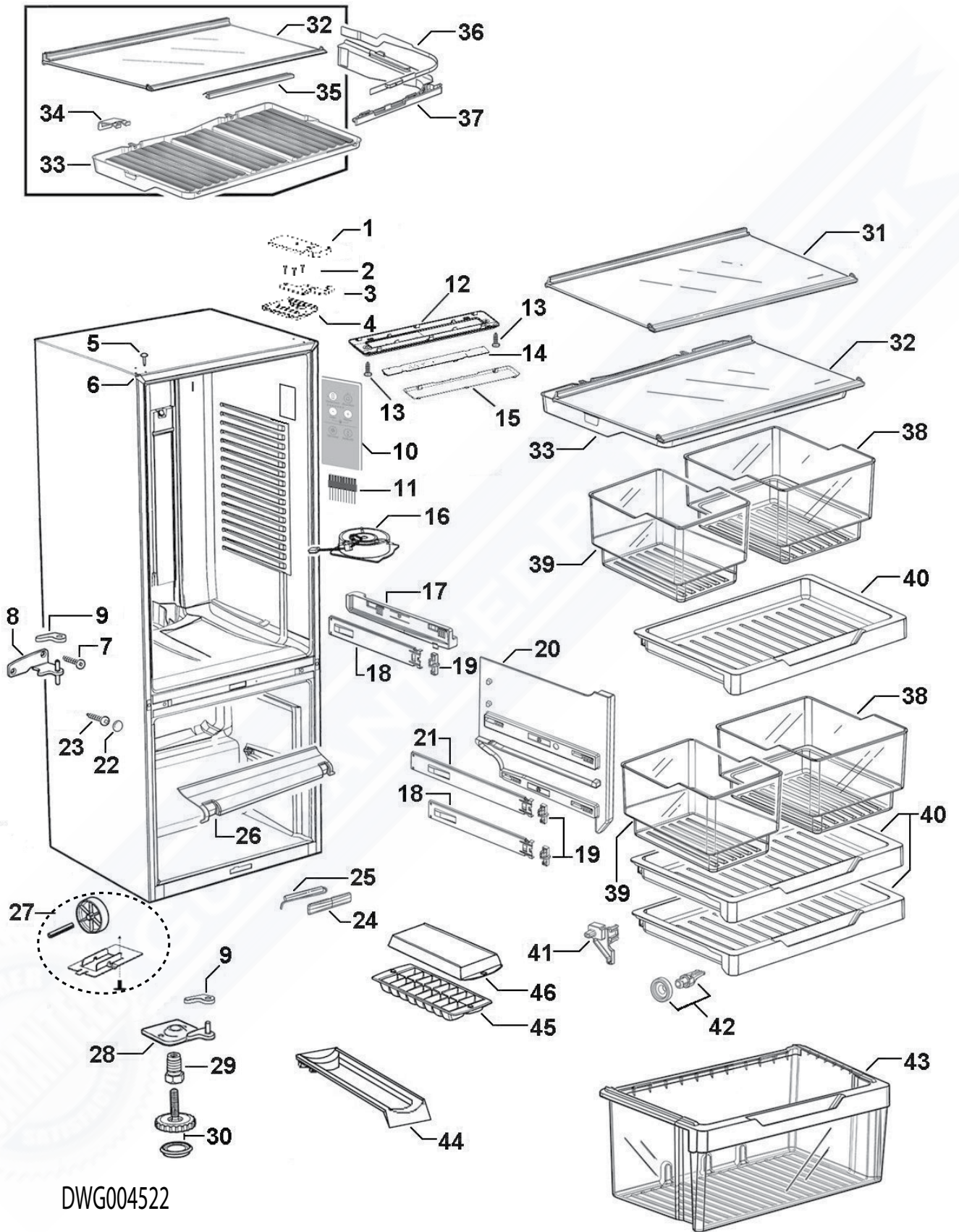
DWG004522

DWG 004522

CABINET COMPONENTS

REFERENCE	PART NUMBER	PART DESCRIPTION
1	846778P	COVER HINGE LOW NIW GRY R
2	817818P	SCREW M5X20 HEX PH ST TV (PKT 10)
3	820717	BRACKET HINGE IW RH
4	846774P	SUPPORT HINGE LOW NIW
NI	847437	KIT COVER HINGE LOW GRY RH
	Includes 846778P	COVER HINGE LOW NIW GRY R
	Includes 846774P	SUPPORT HINGE LOW NIW
5	883948P	PLUG TAPPED HOLE SILVER (PKT 3)
6	883951	TRIM CORNER SILVER 680/790
7	880656P	SCREW 10GX25CSK SQ SS (PKT 10)
8	881283P	BRACKET CENTRE HINGE RH PKD
	Includes 883988P	CAP DOOR CLOSING RH HGE BRKT
9	883988P	CAP DOOR CLOSING RH HGE BRKT
10	837327P	MOD DISP AS U2 INT 6 BUT SVC
11	839618	HARNESS MOLEX 5 WAY SPARES
12	820736	HOUSING FRONT LED PC
13	817816P	SCREW 6 X12 AB TRUSS PH ST TV (PKT 10)
14	845096P	MOD LAMP AS CEILING SVC
15	820737	WINDOW LED PC
16	848320P	PC 3W FAN ASSY JST/DCT
	Includes	FAN HOUSING PC ASSY
	Includes	DUCT JUNCTION
	Includes	CONNECTOR IDC UP2 (2)
	Includes	LABEL WARNING 12 VOLT DC
	Includes	SHEET INSTRUCTION PC FAN ASSY
17	836810	RETAINER & SLIDE 790 RH ASSY
	Includes	RETAINER SLIDE PC RH
	Includes 836700	SLIDE 305 RH ASSEMBLY
	Includes 836520P	CLIP SLIDE
	836809	RETAINER & SLIDE 790 LH ASSY
	Includes	RETAINER SLIDE PC LH
	Includes 836701	SLIDE 305 LH ASSEMBLY
	Includes 836520P	CLIP SLIDE
18	836700	SLIDE 305 RH ASSEMBLY
	Includes 836520P	CLIP SLIDE
	836701	SLIDE 305 LH ASSEMBLY
	Includes 836520P	CLIP SLIDE

CABINET COMPONENTS



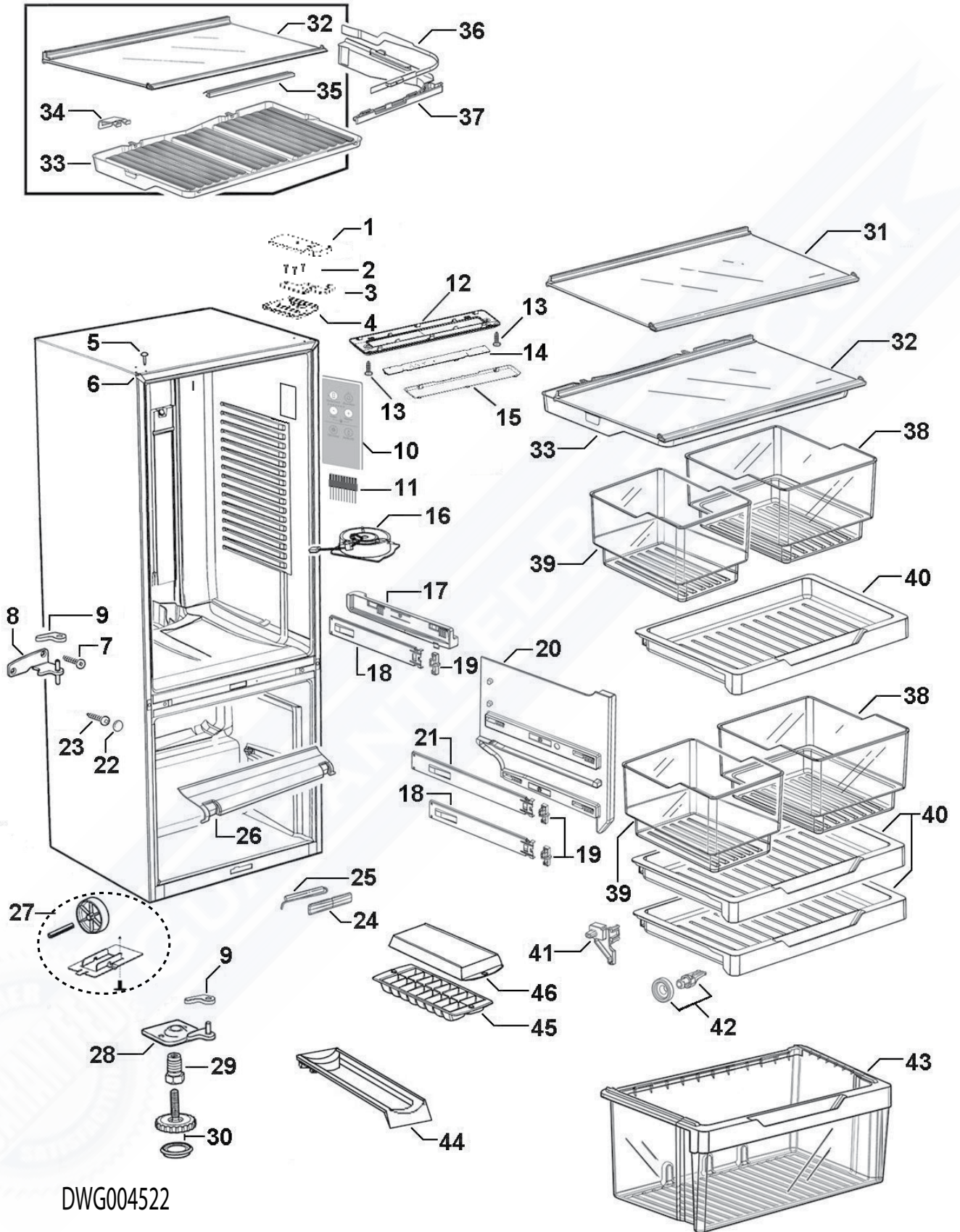
DWG004522

DWG 004522

CABINET COMPONENTS

REFERENCE	PART NUMBER	PART DESCRIPTION
19	836520P	CLIP SLIDE (PKT 2)
20	836545	RETAINER SLIDE FC RH
	836546	RETAINER SLIDE FC LH
21	836702	SLIDE 350 RH ASSEMBLY
	Includes 836520P	CLIP SLIDE
	836703	SLIDE 350 LH ASSEMBLY
	Includes 836520P	CLIP SLIDE
22	883953P	CAP SCREW CROSS RAIL SILVER
	880595P	CAP SCREW CROSS RAIL WHT PKD
23	817822P	SCREW #10X19 AB #2 SQ TV (PKT 10)
24	884011	COVER REED SWITCH ST4 SILVER
	881420	COVER REED SWITCH ST4 WHITE
25	814443P	SWITCH REED FIELD FIX KIT ST4
	Includes	HEATSHRINK 1/8" MW ADHESIVE LINED
26	836595	DUCT RETURN AIR FC 790
27	847316P	RETAINER WHEEL STEEL KIT
	Includes	RETAINER WHEEL STEEL
	Includes	SCREW 8-32X8 TY T PAN PH TV
	Includes	ROLLER FOOT FRONT
	Includes	PIN ROLLER PLATED
28	814691P	BRACKET HINGE BASE RH PKD
	Includes 883988P	CAP DOOR CLOSING RH HGE BRKT
29	813481	BOLT BLIND END HINGE BRACKET
30	818535	WHEEL LEVELING FOOT ASSY RC
	Includes	SCREW M10 LEVELLING FOOT TV
	Includes	BASE LEVELLING FOOT
31	836751P	SHELF GLASS PC 790 ASSY SC
	Includes	SHELF GLASS PC 790
	Includes	TRIM SHELF PC 790 SC
	Includes	STIFFENER SHELF PC 790 SC
	Includes 836569	PLUG STIFFENER SHELF RH
	Includes 836570	PLUG STIFFENER SHELF LH
	Includes 836567	PLUG TRIM SHELF RH
	Includes 836568	PLUG TRIM SHELF LH

CABINET COMPONENTS

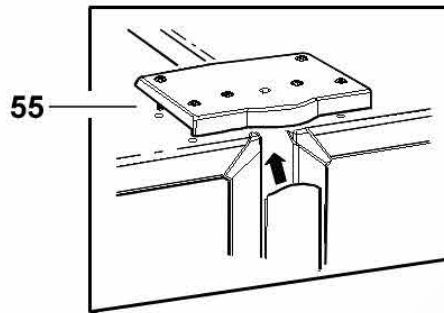


DWG004522

CABINET COMPONENTS

REFERENCE	PART NUMBER	PART DESCRIPTION
32	836728P	SHELF GLASS HCL 790B ASSY SC
	Includes	SHELF GLASS PC 790
	Includes	TRIM SHELF HCL 790 SC
	Includes	STIFFENER SHELF PC 790 SC
	Includes 836567	PLUG TRIM SHELF RH
	Includes 836568	PLUG TRIM SHELF LH
	Includes 836569	PLUG STIFFENER SHELF RH
	Includes 836570	PLUG STIFFENER SHELF LH
	Includes 819179	RETAINER HCL FRONT 790
	Includes 881268	BRACKET HCL SUPPORT B GL SH (2)
	Includes 836574	LID HUMIDITY CONTROL 790B
	Includes 836631	SLIDE CONTROL HUMIDITY RH
	Includes 836633	SLIDE CONTROL HUMIDITY LH
	Includes 836632	GUIDE CONTROL HUMIDITY RH
	Includes 836634	GUIDE CONTROL HUMIDITY LH
33	836574	LID HUMIDITY CONTROL 790B
34	881268	BRACKET HCL SUPPORT B GL SH
35	836582	RETAINER HCL FRONT 790
36	836631	SLIDE CONTROL HUMIDITY RH
	836633	SLIDE CONTROL HUMIDITY LH
37	836632	GUIDE CONTROL HUMIDITY RH
	836634	GUIDE CONTROL HUMIDITY LH
38	836524	BIN SMALL 790
39	836522	BIN SMALL
40	821142	TRAY 790
41	836585	SKID TRAY RH
	836586	SKID TRAY LH
42	836517	WHEEL & CHASSIS ASSEMBLY (PKT 2)
43	836661	BIN ASSEMBLY LARGE 790
	Includes	HANDLE BIN LARGE
44	860593	HOLDER BOTTLE SINGLE
45	874107	TRAY ICE BASE
46	874108	TRAY ICE LID

CABINET ACCESSORIES



DWG001132 - MARCH 2010

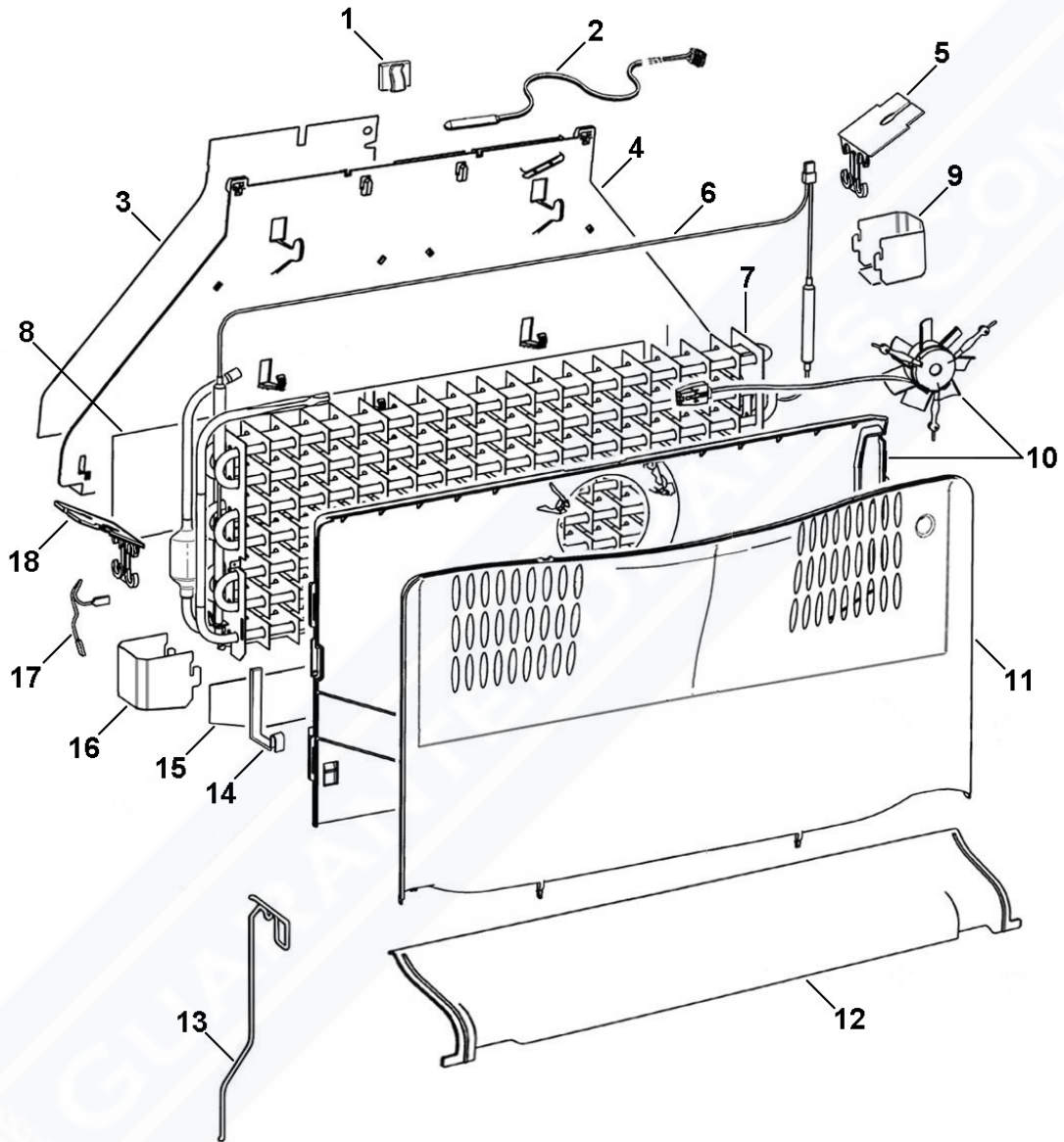
CABINET ACCESSORIES

REFERENCE	PART NUMBER	PART DESCRIPTION
55	819264	KIT JOINER SILVER
56	818758	KIT SURROUND STAINLESS 790 LH
	818759	KIT SURROUND STAINLESS 790 X2

GUARANTEEDPARTS.COM



EVAPORATOR AREA COMPONENTS



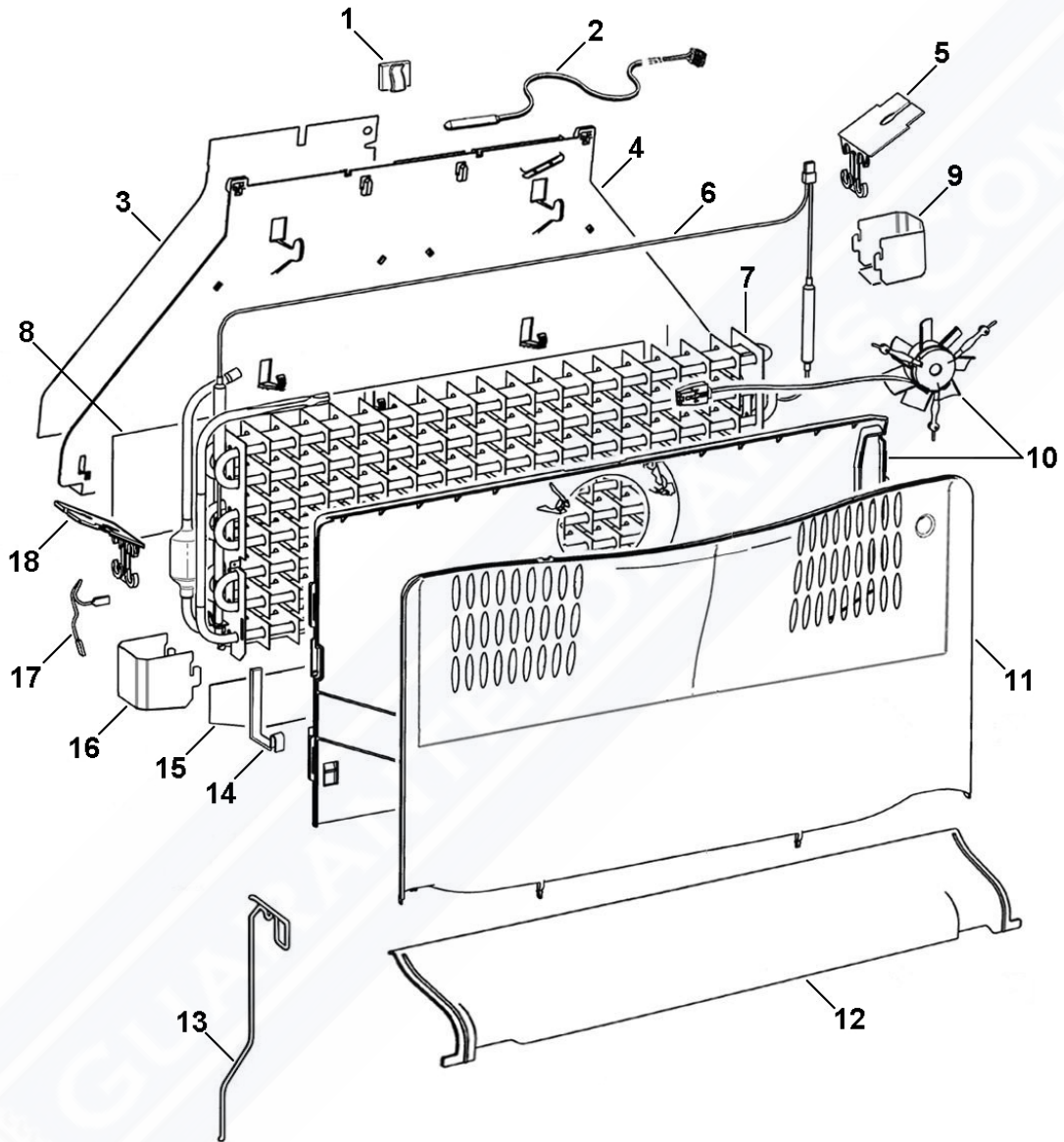
DWG003276 FEBRUARY 2014

DWG 003276

EVAPORATOR AREA COMPONENTS

REFERENCE	PART NUMBER	PART DESCRIPTION
1	900236	CORD CLIP ACC - 3N
2	855203P	SENSOR KIT ASSY ACTV SM
	Includes	HEATSHRINK 25MM
	Includes	HARNESS SENSOR PC
	Includes	CONNECTOR BUTT (2)
	Includes	SHEET INSTRUCTN BUTT CONNECTORS
3	884315	DEFLECTOR HEAT 790B
4	814475	CHASSIS EVAP 790B
5	820604	CLIP EVAP BAFFLE
6	818980P	KIT HTR DEF PUR 120V 790
NI	821745	COVER PLUG TYCO
7	838859P	EVAP ASSY 790B R134A 120V
	Includes	EVAPORATOR FINNED DENSE 790
	Includes 818980	HEATER DEFROST 230V 790
	Includes 813992	CLIP ACTIVE SMART BAFFLE
	Includes 820604	CLIP EVAP BAFFLE
	Includes 814475	CHASSIS EVAP 790B
	Includes 814713	SHIELD EVAP CHASSIS 790B
	Includes 814708	SHIELD HEATER LEFT HAND
	Includes 814709	SHIELD HEATER RIGHT HAND
	Includes 884315	DEFLECTOR HEAT 790B
8	814713	SHIELD EVAP CHASSIS 790B
9	814709	SHIELD HEATER RIGHT HAND
10	306096P	FAN FC 3W KIT 790 SERIES A TO
	Includes 880279	SHIELD HEATER FC COVER 790
	Includes	COVER FAN FC REAR 790
	Includes	CONNECTOR IDC UP2 (2)
	Includes	LABEL WARNING 12 VOLT DC
	Includes	FAN DC SUSPENDED FC ASSY
11	873395	COVER FAN FC FRONT E790B
12	836595	DUCT RETURN AIR FC 790
13	838902	WIRE DRAIN HEATER SINGLE B MEP

EVAPORATOR AREA COMPONENTS



DWG003276 FEBRUARY 2014

DWG 003276

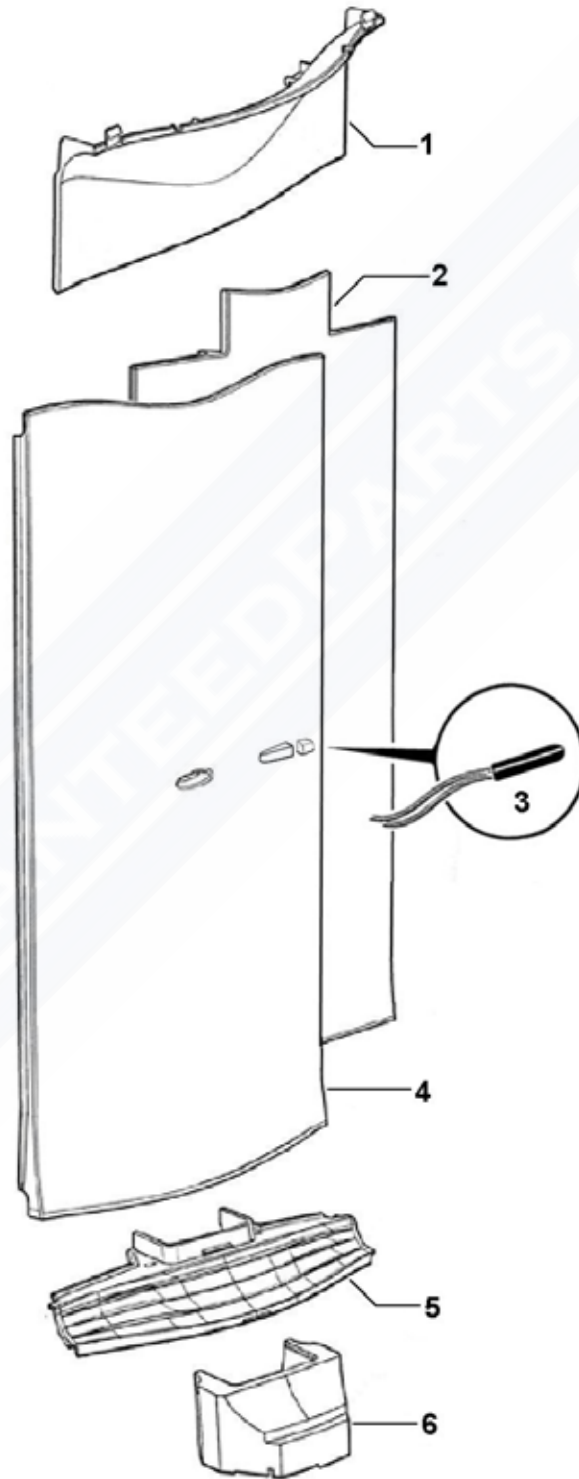
EVAPORATOR AREA COMPONENTS

REFERENCE	PART NUMBER	PART DESCRIPTION
14	814653	CLIP DEFOST HEATER B EVAP
15	883783	SHIELD FC REAR COVER 790
16	814708	SHIELD HEATER LEFT HAND
17	814460	HARNESS EARTH 100MM
18	813992	CLIP ACTIVE SMART BAFFLE

GUARANTEEDPARTS.COM



DUCT COVER COMPONENTS



DWG002944 FEBRUARY 2013

DWG 002944

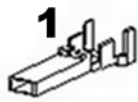
DUCT COVER COMPONENTS

REFERENCE	PART NUMBER	PART DESCRIPTION
1	837405	COVER DUCT PC TOP B
2	873950	INSULATION COVER DUCT LONG B
3	855203P	SENSOR KIT ASSY
	Includes	CONNECTOR BUTT
	Includes	HARNESS SENSOR PC
4	836861	COVER DUCT PC B LONG WATER
5	813287	GRILLE PC RETURN AIR B MODEL
6	872823	INSULATION INSERT PID

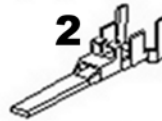
GUARANTEEDPARTS.COM



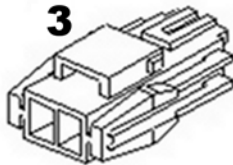
TERMINAL, PLUGS & SOCKETS



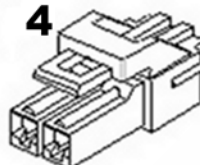
1
JST SOCKET TERMINAL



2
JST PIN TERMINAL



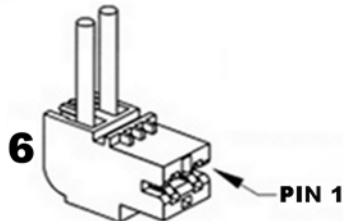
3
JST SOCKET



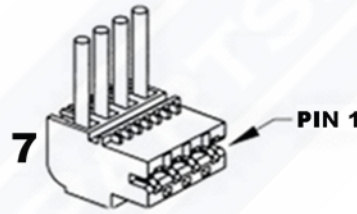
4
JST PLUG



5
JST RETAINER



6
RAST CONNECTOR



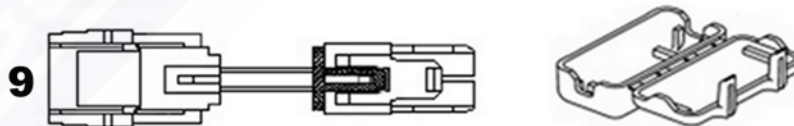
7
RAST CONNECTOR

NOTE THAT IN THE PART NAMES OF THESE CONNECTORS, THE -02- REFERS TO IT BEING A 2 WAY CONNECTOR, AND THE -AB01-(FOR EXAMPLE) REFERS TO THE CODING OF THE CONNECTOR.

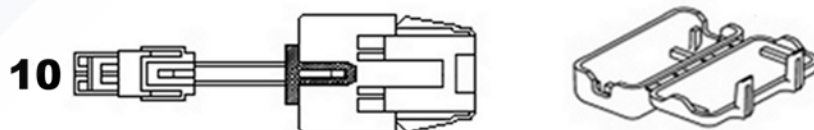


8
RAST CONNECTOR

NOTE: TO MINIMISE THE NUMBER OF SPARE PARTS THAT NEED TO BE CARRIED, THESE CODED CONNECTORS ARE TO BE REPLACED WITH THEIR UNCODED EQUIVALENTS FOR THE 3, 5 AND 6 WAY CONNECTORS USED ON STAGE 4 CABINETS.



9
HARNESS ADAPTOR - JST REC TO MOLEX PLUG



10
HARNESS ADAPTOR - JST PLUG TO MOLEX REC

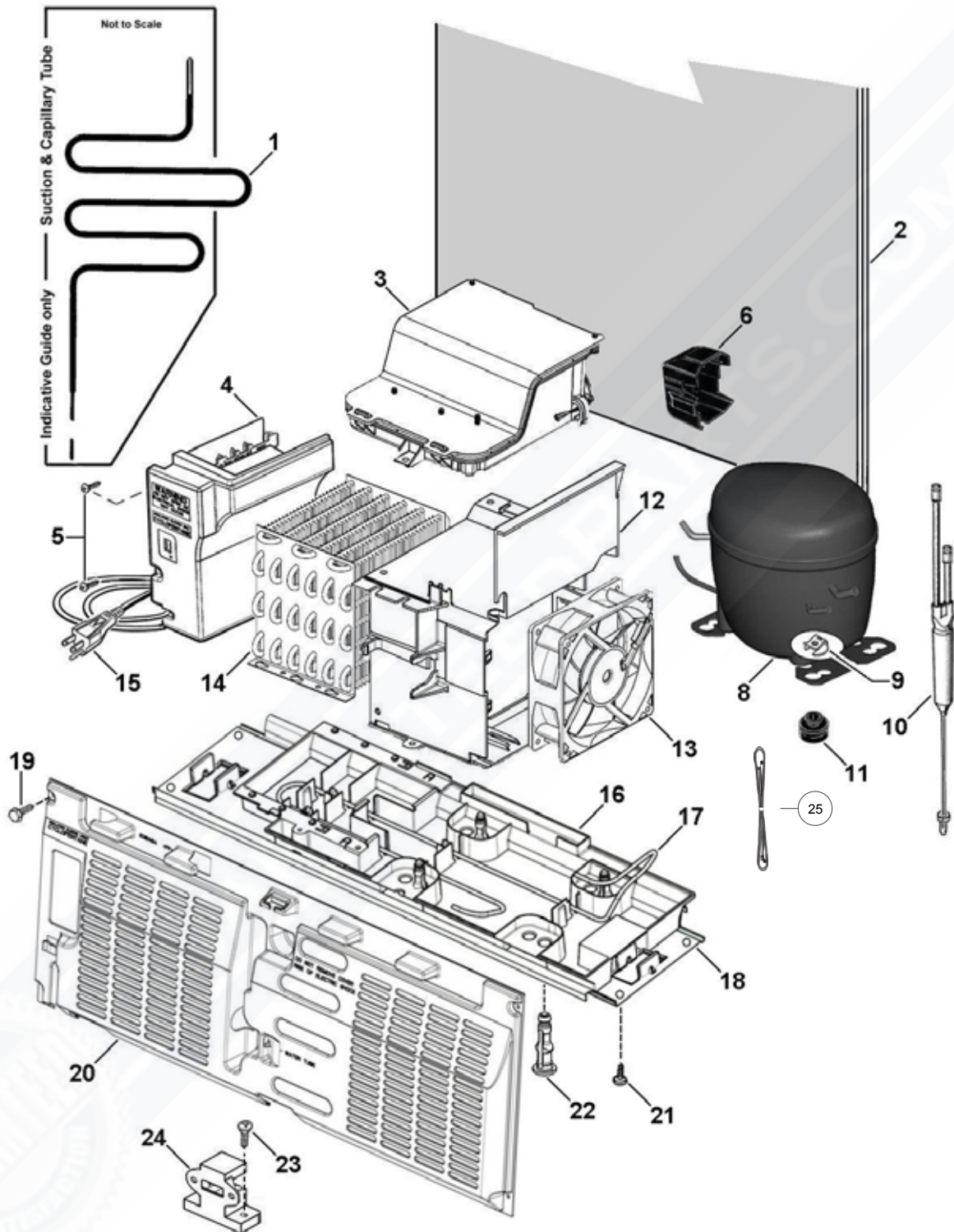
DWG002630 FEBRUARY 2012

TERMINAL, PLUGS & SOCKETS

REFERENCE	PART NUMBER	PART DESCRIPTION	COMMENTS
1	819607P	TERMINAL SYF-01T PKT 10	26/20 AWG
	819608P	TERMINAL SYF-41T PKT 10	20/16 AWG
2	819609P	PIN/TERM SYM-01T PKT 10	26/20 AWG
	819610P	PIN/TERM SYM-41T PKT 10	20/16 AWG
3	819615	JST SOCKET 2PIN YLR-02V	
	819616	JST SOCKET 3PIN YLR-03V	
	819617	JST SOCKET 4PIN YLR-04V	
	819618	JST SOCKET 6PIN YLR-06VF	
	819619	JST SOCKET 8 PIN YLR-08V	
4	819611	JST PLUG 2PIN YLP-02V	
	819612	JST PLUG 4PIN YLP-04V	
	819613	JST PLUG 6PIN YLP-06V	
	819614	JST PLUG 8PIN YLP-08V	
5	819620	RETAINER 2 WAY YLS-02V	
	819621	RETAINER 3 WAY YLS-03V	
6	881588	CONNECTOR RAST 9290-02-AB01	MAINS CORD
	881589	CONNECTOR RAST 9290-02-BA01	DEFROST HEATER
	881590	CONNECTOR RAST 9290-02-EE01	RUN CAPACITOR
7	881591	CONNECTOR RAST 9290-04-EF02	COMPRESSOR CABLE
8	873251	CONNECTOR RAST 7234-003-500	
	873250	CONNECTOR RAST 7234-004-500	
	881135	CONNECTOR RAST 7234-005-500	
	873247	CONNECTOR RAST 7234-006-500	
	873279	CONNECTOR RAST 7234-008-500	
	873248	CONNECTOR RAST 7234-010-500	
	873243	CONNECTOR RAST 7234-012-500	
	881136	CONNECTOR RAST 7234-014-500	
	881137	CONNECTOR RAST 7234-017-502	
9	820687P	ADAPTOR JST REC TO MOLEX KIT	
	Includes 884412	COVER PLUG MOLEX	
10	820688P	ADAPTOR JST PLUG TO MOLEX KIT	
	Includes 884412	COVER PLUG MOLEX	

NOTE: THE NUMBERS IN THE DESCRIPTION OF THE RAST CONNECTOR DENOTES THE NUMBER OF CONNECTIONS - EXAMPLE: 7234-017-502 =17 WAY CONNECTOR

COMPRESSOR AREA COMPONENTS



COMPRESSOR AREA COMPONENTS

REFERENCE	PART NUMBER	PART DESCRIPTION
1	883874	SUCTION & CAPILLARY ASSY 790B
2	878178	PANEL BACK FORMED 790
3	207391	INVERTER EMB VESA6H 115V
4	847818P	MOD CNTRL F AS51 120-230V SVC
5	817829P	SCREW #8X16 SP PAN NIB ST TV (PKT 10)
6	207310	COVER PROTECTOR VEM
8	207390P	COMPR PKD EMB VESA6H
	Includes 846619	HARNESS MOD VCC UL EMB
	Includes 207310	COVER PROTECTOR VEM
	Includes 820196	MOD INV VCC AS 120V
	Includes 207265	GROMMET COMPR MTG 26MM (4)
	Includes 838454	PIN LOCKING COMP (4)
	Includes 855270P	CLIP FOOT COMPRESSOR (4)
	Includes 814843P	FILTER DRIER LONG TAIL XH9 12 GRM
9	855270P	CLIP FOOT COMPRESSOR (PKT 4)
10	814843P	FILTER DRIER LONG TAIL XH9 12GRM
11	207265	GROMMET COMPR MTG 26MM
12	838644	HOUSING FAN INV
13	838855P	FAN CONDENSER
14	838455	CONDENSER EXT 6 PASS
15	837802	CORD SET USA MODEL
16	838378	HOUSING CONDENSER BASE
17	839026	TUBE EVAP TRAY FORM H_SHRINK
18	838488	TRAY COMP MNTG 790
19	817834P	SCREW #8X16 HEX (PKT 10)
20	838484	COVER COMP EXT COND 790
21	817829P	SCREW #8X16 SP PAN NIB ST TV (PKT 10)
22	838454	PIN LOCKING COMP
23	NOT USED	ITEM NOT USED IN THIS MODEL
24	NOT USED	ITEM NOT USED IN THIS MODEL
25	846619	HARNESS MOD VCC UL EMB