

# **FISHER & PAYKEL**

## **REFRIGERATOR FREEZER**

---

**RF135BDRUX4 N FP US**

**PRODUCT CODE: 25931-A**

**PARTS MANUAL**

**US CA**

# INTRODUCTION

---

| <b>BRAND</b>    | <b>VOLTAGE</b> | <b>MODEL</b>        | <b>PRODUCT CODE</b> |
|-----------------|----------------|---------------------|---------------------|
| Fisher & Paykel | 110-120 60Hz   | RF135BDRUX4 N FP US | 25931-A             |

---

## MODELS

The models covered by this manual are listed on the front cover. The information detailed in this manual is subject to change without notice. The latest version is indicated by the reprint date and replaces any earlier editions.

## KIT PARTS

Where a part number is shown against the descriptions for kit components, they are also available as separate items. In addition, some parts may be supplied with these kits that are not available as separate items, and are therefore either not listed, or a part number is not shown against the part description in this manual.

## PARTS LIST KEY

|                 |  |
|-----------------|--|
| <b>NI</b>       | As a part reference, indicates the part is not illustrated on the diagram.         |
| <b>NOT USED</b> | As a part number, indicates the diagram part reference is not used in this manual. |
| <b>NS</b>       | As a part number, indicates the part is not servicable.                            |

---

# CONTENTS

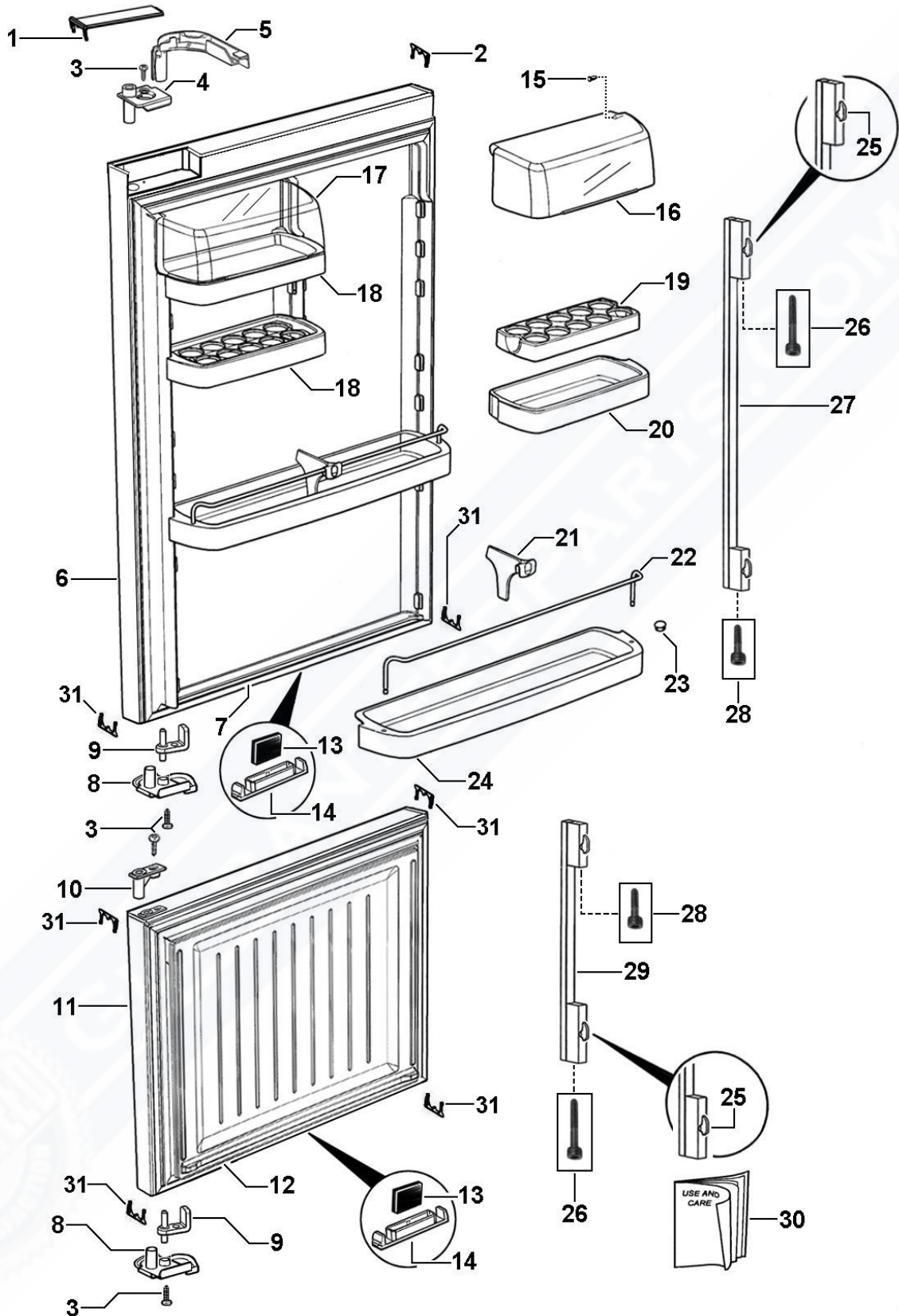
---

|   |    |
|---|----|
| INTRODUCTION  | 1  |
| DOOR COMPONENTS                                     | 3  |
| WATER DISPENSER HOUSING & DISPLAY MODULE COMPONENTS | 7  |
| CABINET COMPONENTS                                  | 9  |
| CABINET ACCESSORIES                                 | 15 |
| ICEMAKER & ICE BIN COMPONENTS                       | 17 |
| EVAPORATOR AREA COMPONENTS                          | 19 |
| WATER TANK & DUCT COVER COMPONENTS                  | 21 |
| TERMINAL, PLUGS & SOCKETS                           | 23 |
| COMPRESSOR AREA COMPONENTS                          | 25 |



GUARANTEEDPARTS.COM

# DOOR COMPONENTS



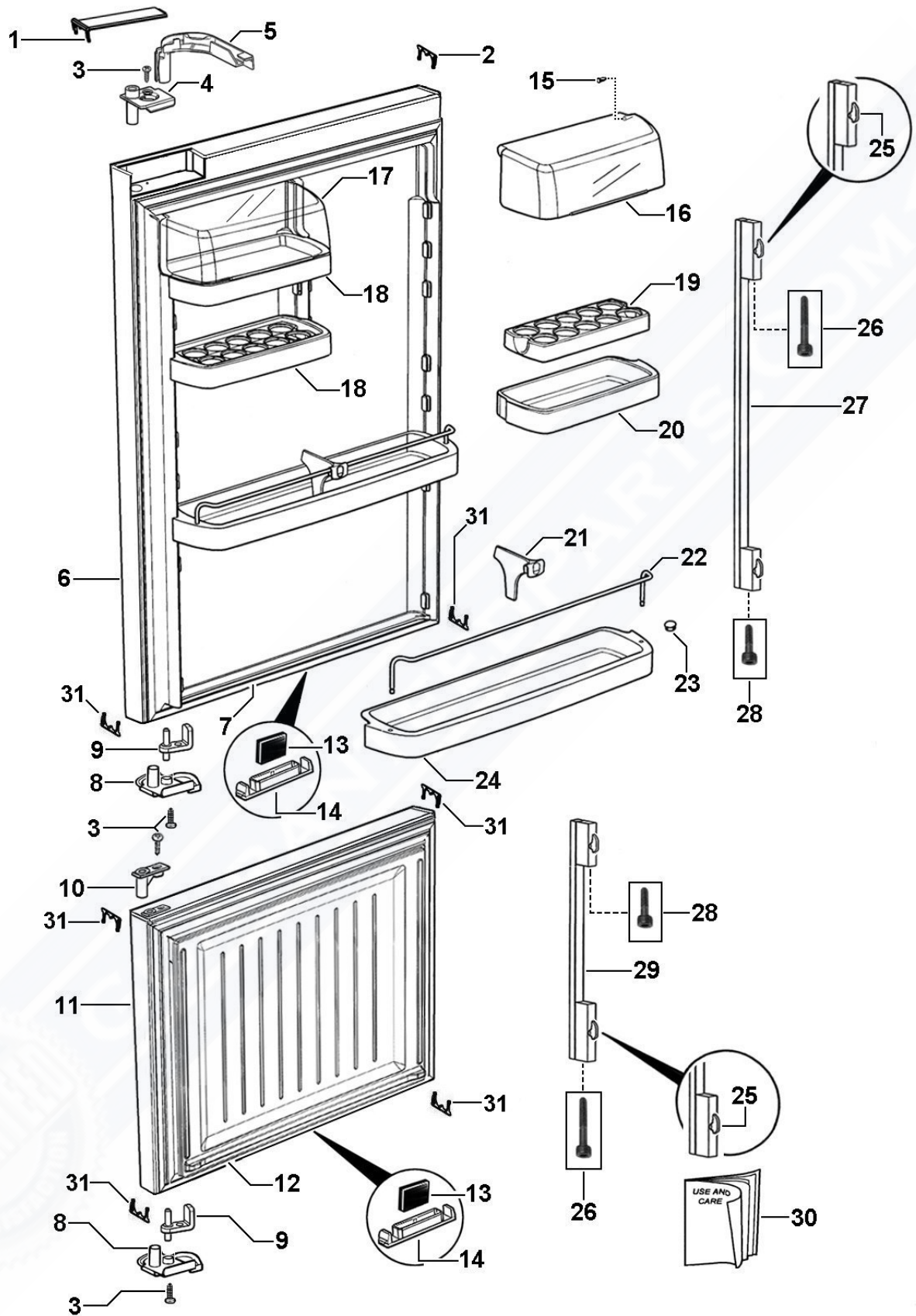
DWG002783 JUNE 2012

DWG 002783

## DOOR COMPONENTS

| REFERENCE | PART NUMBER     | PART DESCRIPTION                    |
|-----------|-----------------|-------------------------------------|
| 1         | 820801          | COVER DOOR HINGE RH                 |
| 2         | 860419          | TRIM DOOR DESIGNER X                |
| 3         | 817825P         | SCREW #8X22 WAFER PH ST TV (PKT 10) |
| 4         | 820845          | BEARING HINGE WATER RH              |
| 5         | 820715          | GUIDE TUBE SERVICE DOOR RH          |
| 6         | 848347P         | DOOR PC 635X1052 FU4B SX2 RH        |
|           | Includes 883315 | MAGNET DOOR SWITCH ST4              |
| 7         | 821099P         | GASKET FRAME E402B PC               |
| 8         | 814621          | CLOSING HOOK DR STOP CH RH          |
| 9         | 814537          | DOOR STOP ASSY                      |
| 10        | 813931          | BEARING HINGE TOP DOOR FLAT         |
| 11        | 849020P         | DOOR FC 635X610 F SX2 RH            |
|           | Includes        | DOOR FC 635 X 610 F SX RH           |
|           | Includes 883315 | MAGNET DOOR SWITCH ST4              |
| 12        | 821100P         | GASKET FRAME E402B E372B FC         |
| 13        | 883315          | MAGNET DOOR SWITCH ST4              |
| 14        | 813928          | COVER MAGNET DOOR FLAT              |
| 15        | NOT USED        | ITEM NOT USED IN THIS MODEL         |
| 16        | 315017          | KIT COVER DOOR SHELF 635            |
|           | Includes 876503 | COVER DOOR SHELF CLEAR LH           |
|           | Includes 876504 | COVER DOOR SHELF CLEAR RH           |
| 17        | 315017          | KIT COVER DOOR SHELF 635            |
|           | Includes 876503 | COVER DOOR SHELF CLEAR LH           |
|           | Includes 876504 | COVER DOOR SHELF CLEAR RH           |
| 18        | 874973          | SHELF DOOR SML LH 635 WHITE         |
| 19        | 876719          | SHELF EGG RACK 635                  |
| 20        | 874974          | SHELF DOOR SML RH 635 WHITE         |
| 21        | 883121          | DIVIDER BOTTLE RAIL WHITE           |
| 22        | 818849          | RAIL BOTTLE SUPPORT 635 SL          |
| 23        | 876281P         | PLUG DOOR SHELF WHITE (PKT 2)       |

# DOOR COMPONENTS

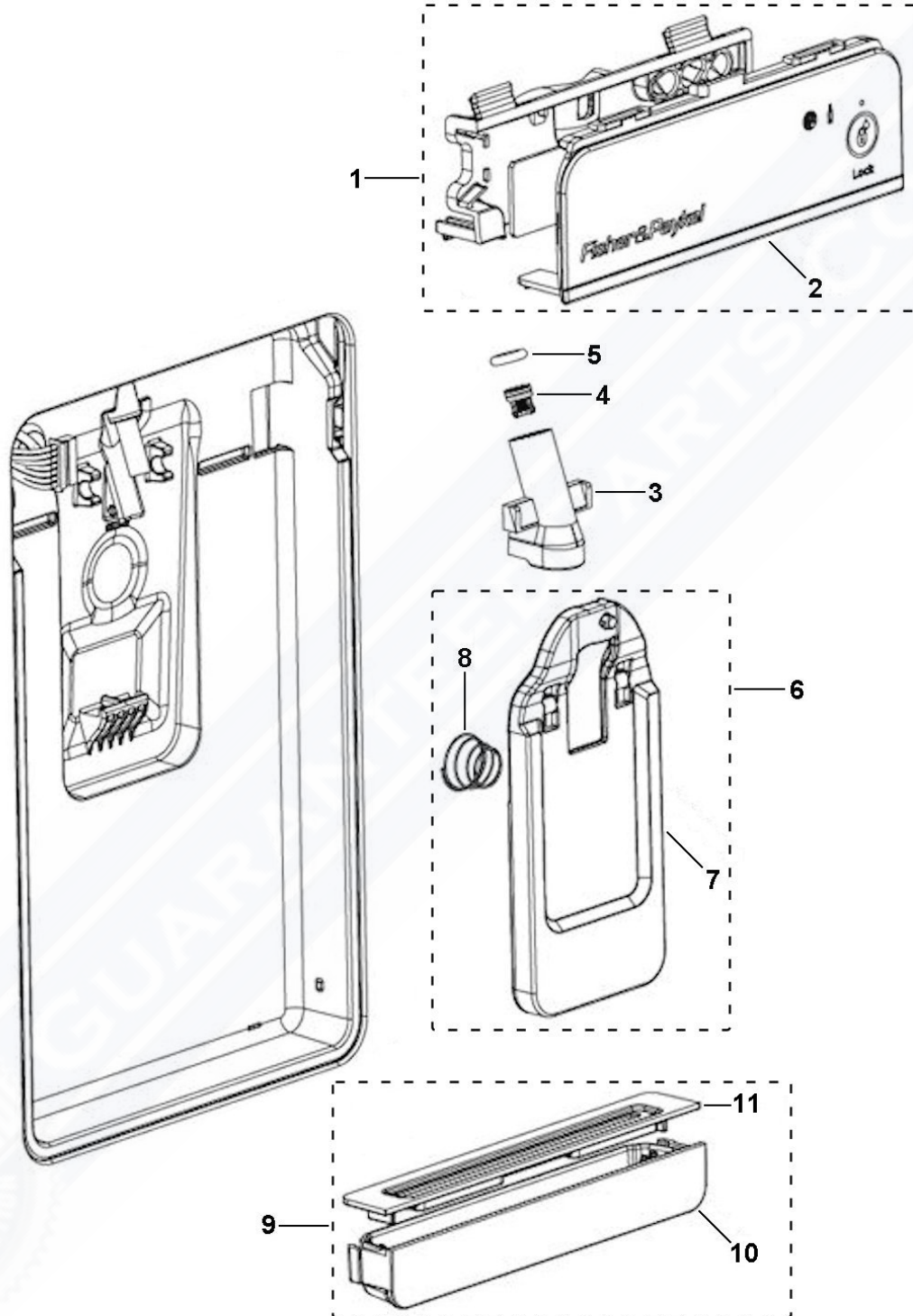


500000000 00000000

## DOOR COMPONENTS

| REFERENCE | PART NUMBER     | PART DESCRIPTION                     |
|-----------|-----------------|--------------------------------------|
| <b>24</b> | <b>883941</b>   | <b>SHELF DOOR LGE 635 WHITE</b>      |
| <b>25</b> | <b>860795P</b>  | <b>BOSS HANDLE FLAT SPARES KIT</b>   |
| <b>26</b> | <b>819646P</b>  | <b>SCREW M5X40 CAP (PKT 10)</b>      |
| <b>27</b> | <b>820581</b>   | <b>HANDLE D3 612 BRUSHED</b>         |
|           | Includes 837467 | SCREW M5X14 CAP                      |
|           | Includes 819646 | SCREW M5X40 CAP                      |
| <b>28</b> | <b>837467P</b>  | <b>SCREW M5X14 CAP (PKT 10)</b>      |
| <b>29</b> | <b>820582</b>   | <b>HANDLE D3 374 BRUSHED</b>         |
|           | Includes 837467 | SCREW M5X14 CAP                      |
|           | Includes 819646 | SCREW M5X40 CAP                      |
| <b>30</b> | <b>839480</b>   | <b>BOOKLET USE &amp; CARE USA/CA</b> |
| <b>31</b> | <b>813926</b>   | <b>TRIM CORNER DOOR FLAT</b>         |

# WATER DISPENSER HOUSING & DISPLAY MODULE COMPONENTS



DWG002946 MARCH 2013

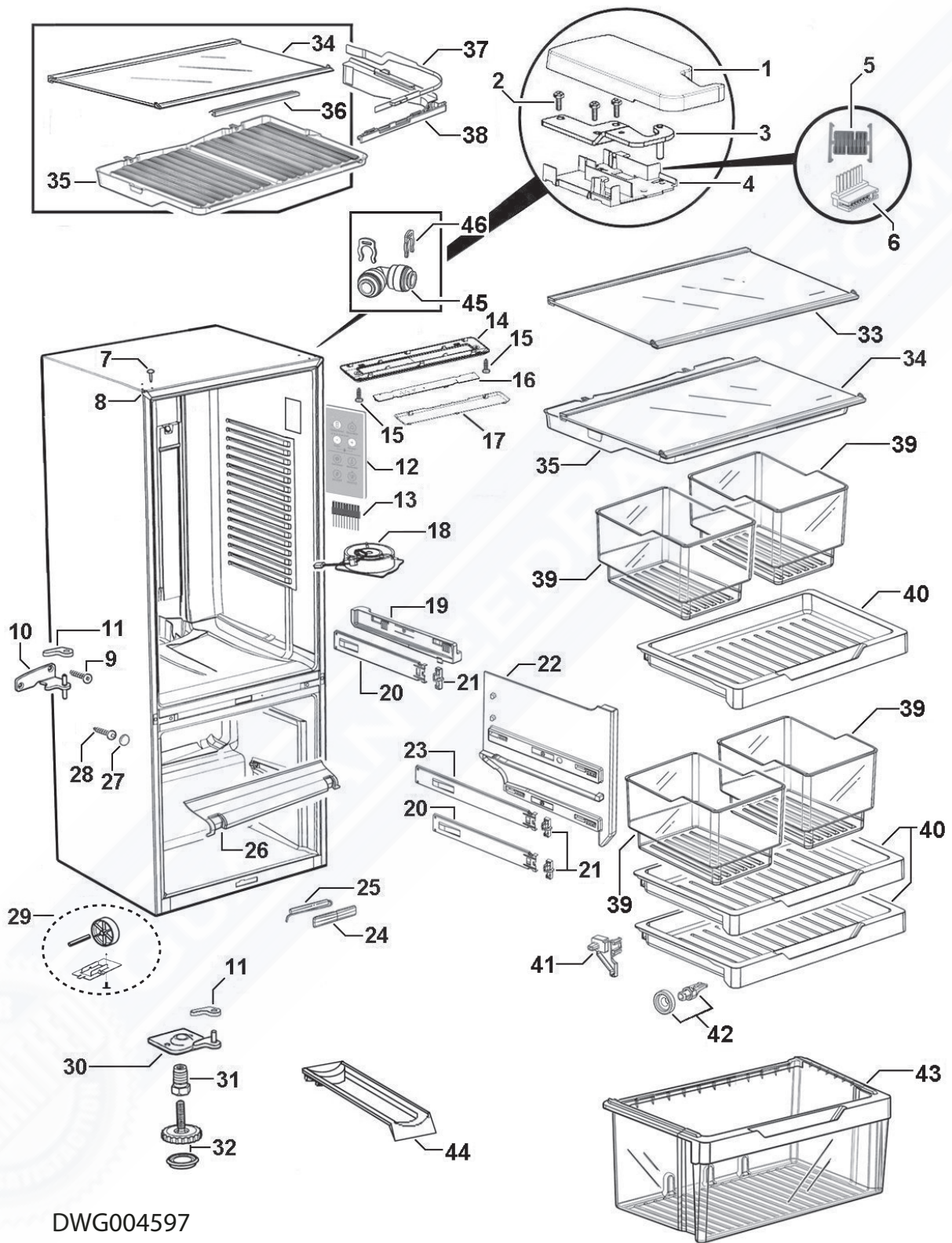
DWG 002946



# WATER DISPENSER HOUSING & DISPLAY MODULE COMPONENTS

| REFERENCE | PART NUMBER     | PART DESCRIPTION                      |
|-----------|-----------------|---------------------------------------|
| <b>1</b>  | <b>821509P</b>  | <b>MOD DISP AS U2 EXT SVC</b>         |
|           | Includes 821293 | FASICA IML WATER DISPENSER            |
| <b>2</b>  | <b>821293</b>   | <b>FASICA IML WATER DISPENSER</b>     |
| <b>3</b>  | <b>838115</b>   | <b>SPIGOT ASSY WATER DISPENSER</b>    |
|           | Includes 837391 | CHECK VALVE SPIGOT WATER              |
|           | Includes 837390 | ORING SPIGOT WATER DISPENSER          |
| <b>4</b>  | <b>837391</b>   | <b>CHECK VALVE SPIGOT WATER</b>       |
| <b>5</b>  | <b>837390</b>   | <b>ORING SPIGOT WATER DISPENSER</b>   |
| <b>6</b>  | <b>838114</b>   | <b>LEVER ASSY WATER DISPENSER</b>     |
|           | Includes 821579 | LEVER WATER DISPENSER                 |
|           | Includes 821883 | SPRING LEVER WATER DISPENSER          |
| <b>7</b>  | <b>821579</b>   | <b>LEVER WATER DISPENSER</b>          |
| <b>8</b>  | <b>821883</b>   | <b>SPRING LEVER WATER DISPENSER</b>   |
| <b>9</b>  | <b>838113</b>   | <b>TRAY DRIP ASSY WATER DISPENSER</b> |
|           | Includes 821582 | DRIP TRAY CONTAINER                   |
|           | Includes 821583 | DRIP TRAY LID                         |
| <b>10</b> | <b>821582</b>   | <b>DRIP TRAY CONTAINER</b>            |
| <b>11</b> | <b>821583</b>   | <b>DRIP TRAY LID</b>                  |

# CABINET COMPONENTS

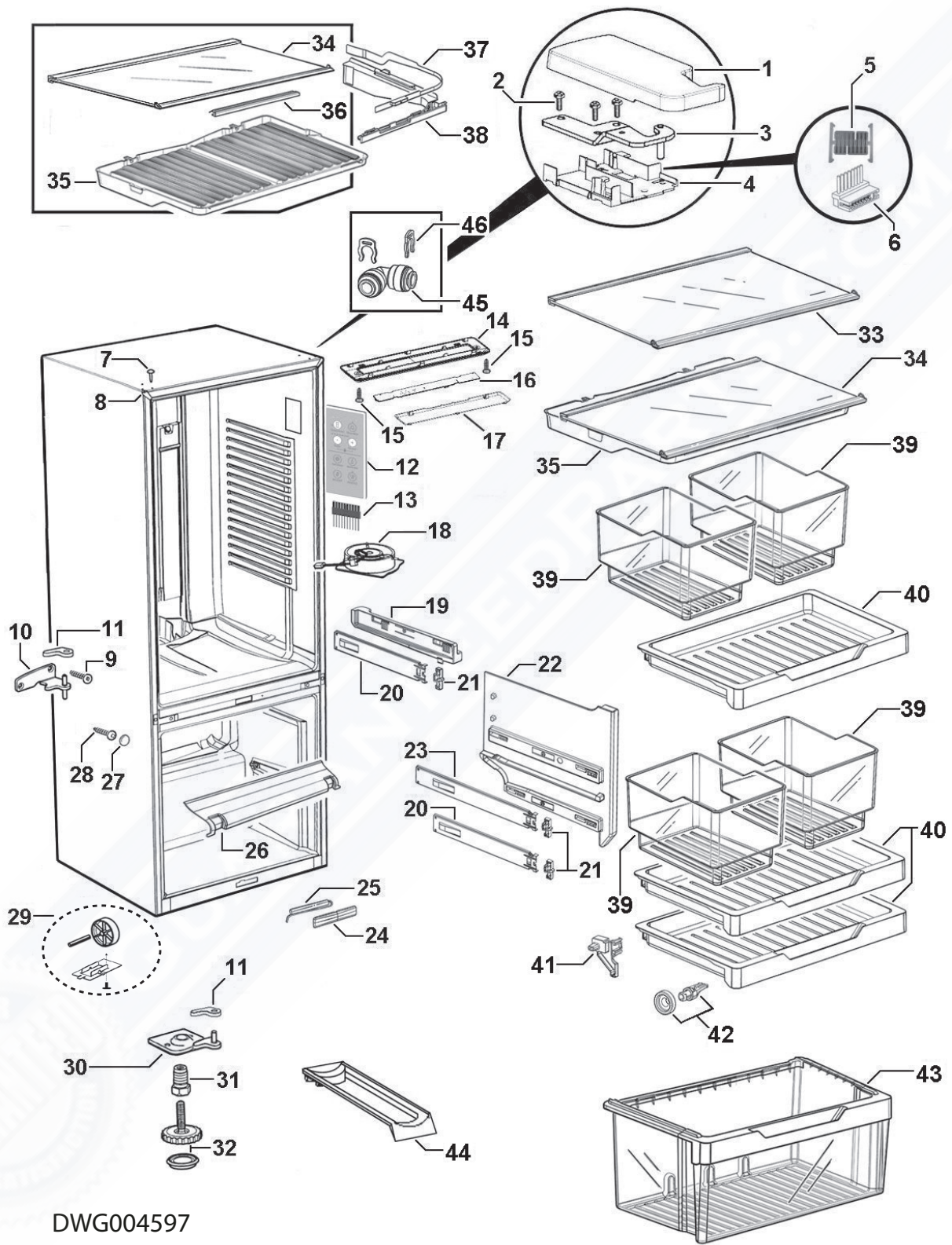


DWG004597

## CABINET COMPONENTS

| REFERENCE | PART NUMBER      | PART DESCRIPTION                       |
|-----------|------------------|--|
| 1         | 820647           | COVER HINGE TOP IW RH                  |
| 2         | 817818P          | SCREW M5X20 HEX PH ST TV (PKT 10)      |
| 3         | 820652           | BRACKET HINGE IW RH ASSY               |
| 4         | 821943           | SUPPORT HINGE TOP RH                   |
| 5         | 821917           | CONNECTOR PCB RAST 8 WAY               |
| 6         | 873279           | CONNECTOR RAST 7234-008-500            |
| 7         | 883948P          | PLUG TAPPED HOLE SILVER (PKT 3)        |
| 8         | 883951           | TRIM CORNER SILVER 680/790             |
| 9         | 880656P          | SCREW 10GX25CSK SQ SS (PKT 10)         |
| 10        | 881283P          | BRACKET CTR HINGE RH (PKD)             |
|           | Includes 883988P | CAP DOOR CLOSING RH HGE BRKT G         |
| 11        | 883988           | CAP DOOR CLOSING RH HGE BRKT G         |
| 12        | 821286P          | MOD DISP AS U2 INT 8 BUT SVC           |
| 13        | 838437           | HARNESS DISPLAY SPARES                 |
| 14        | 820736           | HOUSING FRONT LED PC                   |
| 15        | 817816P          | SCREW 6 X12 AB TRUSS PH ST TV (PKT 10) |
| 16        | 845096P          | MOD LAMP AS CEILING SVC                |
| 17        | 820737           | WINDOW LED PC                          |
| 18        | 848320P          | PC 3W FAN ASSY JST/DCT                 |
|           | Includes         | FAN HOUSING PC ASSY                    |
|           | Includes         | DUCT JUNCTION                          |
|           | Includes         | CONNECTOR IDC UP2 (2)                  |
|           | Includes         | LABEL WARNING 12 VOLT DC               |
|           | Includes         | SHEET INSTRUCTION PC FAN ASSY          |
| 19        | 836808           | RETAINER & SLIDE 680 RH ASSY RC        |
|           | Includes         | RETAINER SLIDE PC B RH                 |
|           | Includes 836700  | SLIDE 305 RH ASSEMBLY                  |
|           | Includes 836520P | CLIP SLIDE                             |
|           | 836807           | RETAINER & SLIDE 680 LH ASSY RC        |
|           | Includes         | RETAINER SLIDE PC B LH                 |
|           | Includes 836701  | SLIDE 305 LH ASSEMBLY                  |
|           | Includes 836520P | CLIP SLIDE                             |

# CABINET COMPONENTS

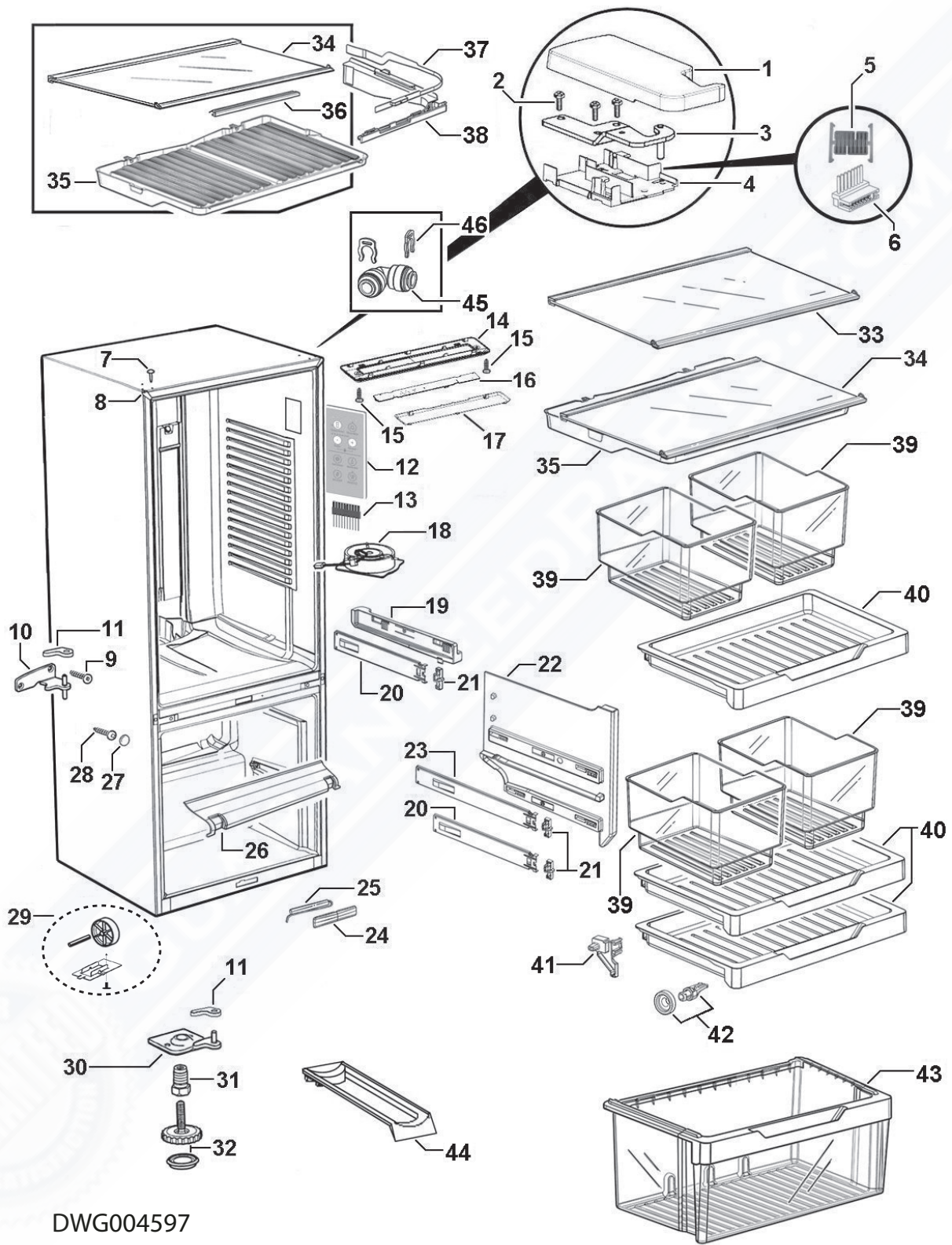


DWG004597

## CABINET COMPONENTS

| REFERENCE | PART NUMBER      | PART DESCRIPTION                         |
|-----------|------------------|--|
| <b>20</b> | <b>836700</b>    | <b>SLIDE 305 RH ASSEMBLY RC</b>          |
|           | Includes 836520P | CLIP SLIDE                               |
|           | <b>836701</b>    | <b>SLIDE 305 LH ASSEMBLY RC</b>          |
|           | Includes 836520P | CLIP SLIDE                               |
| <b>21</b> | <b>836520P</b>   | <b>CLIP SLIDE (PKT 2)</b>                |
| <b>22</b> | <b>836545</b>    | <b>RETAINER SLIDE FC RH</b>              |
|           | <b>836546</b>    | <b>RETAINER SLIDE FC LH</b>              |
| <b>23</b> | <b>836702</b>    | <b>SLIDE 355 RH ASSEMBLY</b>             |
|           | Includes 836520P | CLIP SLIDE                               |
|           | <b>836703</b>    | <b>SLIDE 355 LH ASSEMBLY</b>             |
|           | Includes 836520P | CLIP SLIDE                               |
| <b>24</b> | <b>884011</b>    | <b>COVER REED SWITCH ST4 SILVER</b>      |
|           | <b>881420</b>    | <b>COVER REED SWITCH WHITE ST4</b>       |
| <b>25</b> | <b>814443P</b>   | <b>SWITCH REED FIELD FIX KIT ST4</b>     |
|           | Includes         | HEATSHRINK 1/8" MW ADHESIVE LINED        |
| <b>26</b> | <b>836593</b>    | <b>DUCT RETURN AIR FC 635</b>            |
| <b>27</b> | <b>883953P</b>   | <b>CAP SCREW CROSS RAIL SILVER</b>       |
|           | <b>880595P</b>   | <b>CAP SCREW CROSS RAIL WHITE</b>        |
| <b>28</b> | <b>817822P</b>   | <b>SCREW #10X19 AB #2 SQ TV (PKT 10)</b> |
| <b>29</b> | <b>847316P</b>   | <b>RETAINER WHEEL STEEL KIT</b>          |
|           | Includes         | RETAINER WHEEL STEEL                     |
|           | Includes         | SCREW 8-32X8 TY T PAN PH TV              |
|           | Includes         | ROLLER FOOT FRONT                        |
|           | Includes         | PIN ROLLER PLATED                        |
| <b>30</b> | <b>818614P</b>   | <b>BRACKET HINGE BASE RH (PKD)</b>       |
|           | Includes 883988P | CAP DOOR CLOSING RH HGE BRKT G           |
| <b>31</b> | <b>813481</b>    | <b>BOLT BLIND END HINGE BRACKET</b>      |
| <b>32</b> | <b>880512</b>    | <b>FOOT LEVELLING ASSEMBLY</b>           |
|           | Includes         | WHEEL LEVELLING FOOT ASSY                |
|           | Includes         | BASE LEVELLING FOOT                      |
| <b>33</b> | <b>838362P</b>   | <b>SHELF GL PC 635 ASSY SC</b>           |
|           | Includes         | SHELF GLASS PC 635                       |
|           | Includes         | TRIM SHELF PC 635 SC                     |
|           | Includes         | STIFFENER SHELF PC 635 GR                |
|           | Includes 836567  | PLUG TRIM SHELF RH                       |
|           | Includes 836568  | PLUG TRIM SHELF LH                       |

# CABINET COMPONENTS

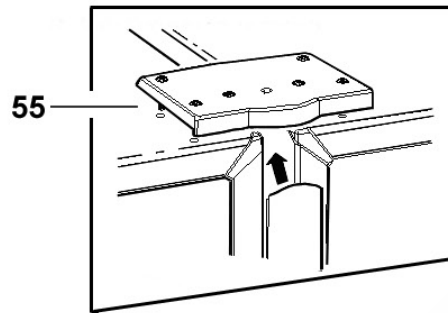


DWG004597

## CABINET COMPONENTS

| REFERENCE | PART NUMBER     | PART DESCRIPTION                            |
|-----------|-----------------|---|
| <b>34</b> | <b>839631P</b>  | <b>SHELF GL HCL 635B ASSY SC</b>            |
|           | Includes        | SHELF GLASS PC 635                          |
|           | Includes        | TRIM SHELF HCL 635 SC                       |
|           | Includes        | STIFFENER SHELF PC 635 GR                   |
|           | Includes 836567 | PLUG TRIM SHELF RH                          |
|           | Includes 836568 | PLUG TRIM SHELF LH                          |
|           | Includes 836580 | RETAINER HCL FRONT 635                      |
|           | Includes 836631 | SLIDE CONTROL HUMIDITY RH                   |
|           | Includes 836633 | SLIDE CONTROL HUMIDITY LH                   |
|           | Includes 836632 | GUIDE CONTROL HUMIDITY RH                   |
|           | Includes 836634 | GUIDE CONTROL HUMIDITY LH                   |
| <b>35</b> | <b>836729</b>   | <b>LID HUMIDITY CONTROL 635B</b>            |
| <b>36</b> | <b>836580</b>   | <b>RETAINER HCL FRONT 635</b>               |
| <b>37</b> | <b>836633</b>   | <b>SLIDE CTRL HUMIDITY LH</b>               |
|           | <b>836631</b>   | <b>SLIDE CTRL HUMIDITY RH</b>               |
| <b>38</b> | <b>836634</b>   | <b>GUIDE CTRL HUMIDITY LH</b>               |
|           | <b>836632</b>   | <b>GUIDE CTRL HUMIDITY RH</b>               |
| <b>39</b> | <b>836522</b>   | <b>BIN SMALL</b>                            |
| <b>40</b> | <b>836512</b>   | <b>TRAY 635</b>                             |
| <b>41</b> | <b>836585</b>   | <b>SKID TRAY RH</b>                         |
|           | <b>836586</b>   | <b>SKID TRAY LH</b>                         |
| <b>42</b> | <b>836517</b>   | <b>WHEEL &amp; CHASSIS ASSEMBLY (PKT 2)</b> |
| <b>43</b> | <b>836659</b>   | <b>BIN LARGE 635 ASSY</b>                   |
| <b>44</b> | <b>860593</b>   | <b>HOLDER BOTTLE SINGLE</b>                 |
| <b>45</b> | <b>837192</b>   | <b>CONNECTOR WATER ELBOW C 0308W</b>        |
| <b>46</b> | <b>837193P</b>  | <b>COLLET LOCKING CLIP PIC1808R (PKT 2)</b> |

# CABINET ACCESSORIES



DWG001132

DWG 001132



## CABINET ACCESSORIES

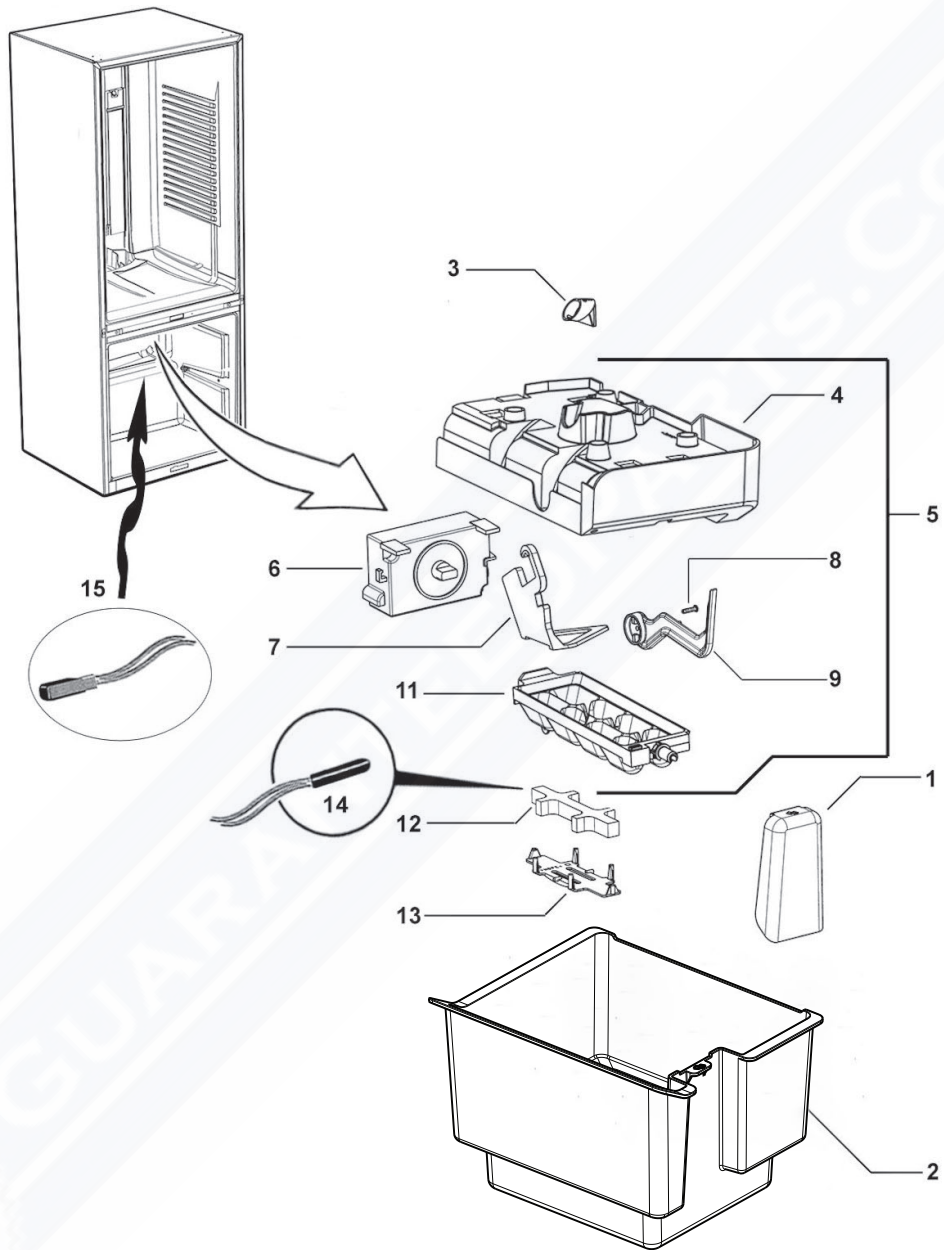
---

| REFERENCE | PART NUMBER | PART DESCRIPTION              |
|-----------|-------------|-------------------------------|
| 55        | 819264      | KIT JOINER SILVER             |
| 56        | 818761      | KIT SURROUND STAINLESS 635 X2 |

GUARANTEEDPARTS.COM



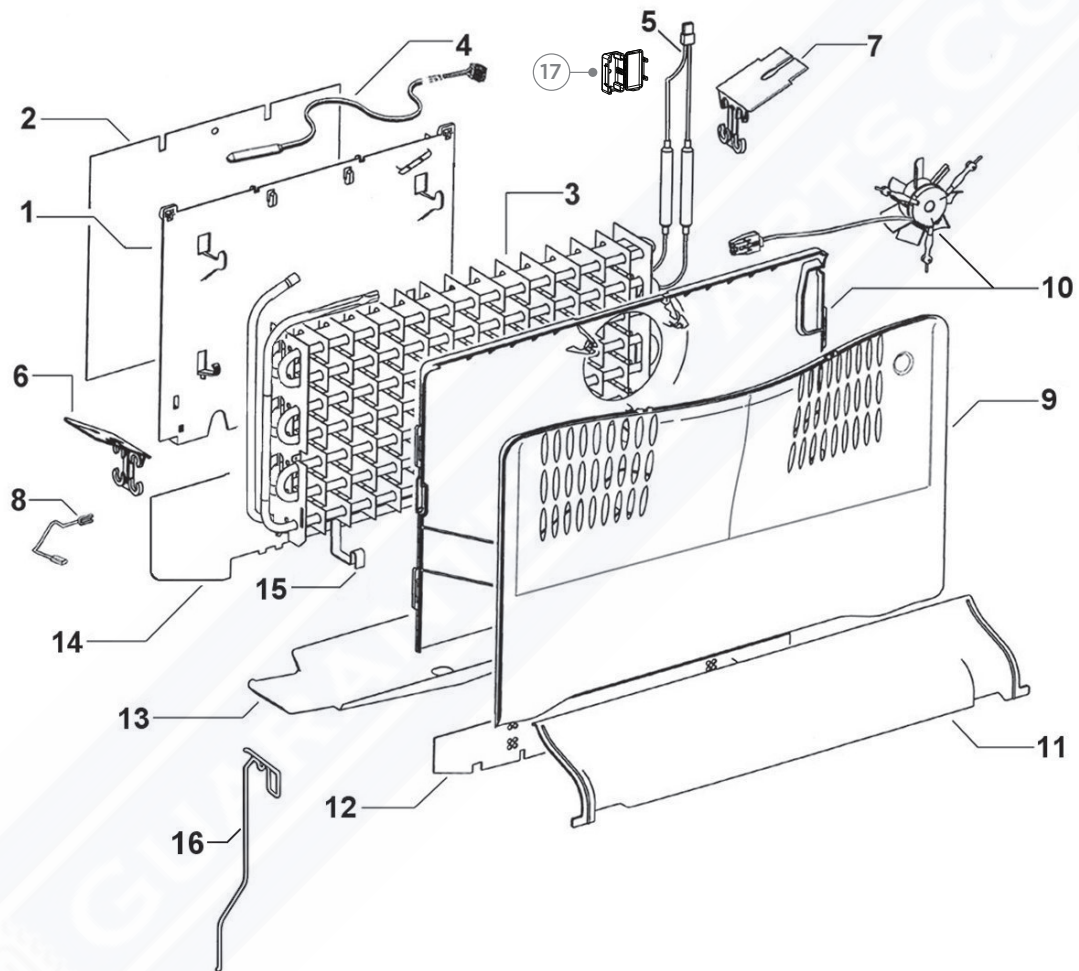
# ICEMAKER & ICE BIN COMPONENTS



## ICEMAKER & ICE BIN COMPONENTS

| REFERENCE | PART NUMBER     | PART DESCRIPTION                      |
|-----------|-----------------|---------------------------------------|
| <b>1</b>  | <b>836929</b>   | <b>SCOOP ICE</b>                      |
| <b>2</b>  | <b>836886</b>   | <b>BIN AND SCOOP ASSEMBLY</b>         |
|           | Includes 836928 | BIN ICE                               |
|           | Includes 836929 | SCOOP                                 |
| <b>3</b>  | <b>836936</b>   | <b>SPIGOT FILL ICE MAKER</b>          |
| <b>4</b>  | <b>836915</b>   | <b>HOUSING ICE MAKER</b>              |
| <b>5</b>  | <b>820833P</b>  | <b>ICEMAKER ASSEMBLY LARGE</b>        |
|           | Includes 820841 | TRAY ICE AUTO LARGE                   |
|           | Includes 836910 | LEVER GEAR BOX ICE                    |
|           | Includes 836915 | HOUSING ICE MAKER                     |
|           | Includes 836934 | GEARBOX ICE MAKER                     |
|           | Includes 836948 | SCREW 6X1/2 PAN PH SS                 |
| <b>6</b>  | <b>836934</b>   | <b>GEARBOX ICE MAKER</b>              |
| <b>7</b>  | <b>836912</b>   | <b>LEVER BIN DETECT</b>               |
| <b>8</b>  | <b>836948P</b>  | <b>SCREW 6X1/2 PAN PH SS (PKT 10)</b> |
| <b>9</b>  | <b>836910</b>   | <b>LEVER GEAR BOX ICE</b>             |
| <b>11</b> | <b>820841</b>   | <b>TRAY ICE AUTO LARGE</b>            |
| <b>12</b> | <b>836909</b>   | <b>FOAM CLIP SENSOR</b>               |
| <b>13</b> | <b>837180</b>   | <b>CLIP SENSOR ICE TRAY</b>           |
| <b>14</b> | <b>321107</b>   | <b>ICE MAKER SENSOR LEAD WIRE KIT</b> |
|           | Includes        | SENSOR THERMISTOR ICE MAKER           |
|           | Includes        | CONNECTOR IDC UY2 - 3MS               |
|           | Includes        | INSTRUCTIONS ICE SENSOR KIT           |
| <b>15</b> | <b>821689P</b>  | <b>ICE FILL TUBE HEATER KIT MK2</b>   |

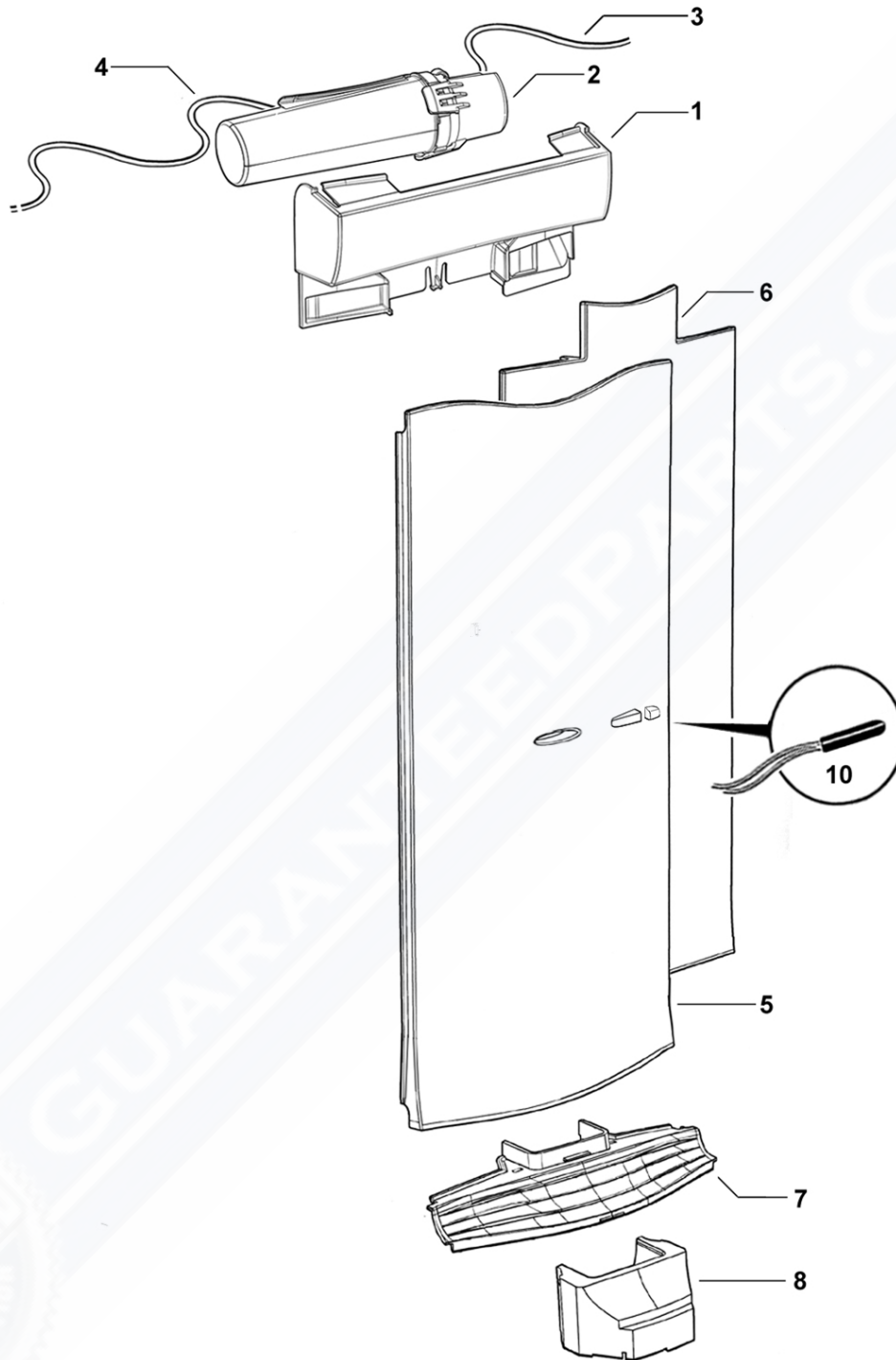
# EVAPORATOR AREA COMPONENTS



## EVAPORATOR AREA COMPONENTS

| REFERENCE | PART NUMBER      | PART DESCRIPTION                      |
|-----------|------------------|---------------------------------------|
| <b>1</b>  | <b>814446</b>    | <b>CHASSIS EVAP 635 B</b>             |
| <b>2</b>  | <b>880423P</b>   | <b>DEF HRT CHASSIS</b>                |
| <b>3</b>  | <b>821064P</b>   | <b>EVAP ASSY 635B 120V DP</b>         |
|           | Includes         | EVAPORATOR FINNED 635 R600A           |
|           | Includes 814446  | CHASSIS EVAP 635 B                    |
|           | Includes 814631  | SHIELD EVAP B CHASSIS                 |
|           | Includes 847021  | HEATER DEF DBLE 120V 635              |
|           | Includes 880423P | DEF HRT CHASSIS                       |
|           | Includes 820604  | CLIP EVAP BAFFLE                      |
|           | Includes 813992  | CLIP ACTIVE SMART BAFFLE              |
|           | Includes 820835  | CLIP DEFROST HEATER B SHORT (2)       |
|           | Includes 814460  | HARNESS EARTH 100MM                   |
|           | Includes         | CABLE TIE 200MMX3.6                   |
| <b>4</b>  | <b>855203P</b>   | <b>SENSOR KIT ASSY</b>                |
|           | Includes         | HEATSHRINK 25MM                       |
|           | Includes         | HARNESS SENSOR PC                     |
|           | Includes         | CONNECTOR BUTT (2)                    |
|           | Includes         | SHEET INSTRUCTN BUTT CONNECTORS       |
| <b>5</b>  | <b>847021</b>    | <b>HEATER DEF DBLE 120V 635</b>       |
| <b>6</b>  | <b>813992</b>    | <b>CLIP ACTIVE SMART BAFFLE</b>       |
| <b>7</b>  | <b>820604</b>    | <b>CLIP EVAP BAFFLE</b>               |
| <b>8</b>  | <b>814460</b>    | <b>HARNESS EARTH 100MM</b>            |
| <b>9</b>  | <b>873398</b>    | <b>COVER FAN FC FRONT 635B</b>        |
| <b>10</b> | <b>848314P</b>   | <b>FAN FC 3W KIT 635 SERIES A TO</b>  |
|           | Includes 880409P | COVER HEAT SHIELD ALUM 635            |
|           | Includes         | COVER FAN FC REAR 635                 |
|           | Includes         | CONNECTOR IDC UP2 (2)                 |
|           | Includes         | FAN DC SUSPENDED FC ASSY              |
| <b>11</b> | <b>836593</b>    | <b>DUCT RETURN AIR FC 635</b>         |
| <b>12</b> | <b>880409P</b>   | <b>COVER HEAT SHIELD ALUM 635 P42</b> |
| <b>13</b> | <b>872831</b>    | <b>SHIELD DRAIN HTR DEFROST 635B</b>  |
| <b>14</b> | <b>814631</b>    | <b>SHIELD EVAP B CHASSIS</b>          |
| <b>15</b> | <b>820835</b>    | <b>CLIP DEFROST HEATER B SHORT</b>    |
| <b>16</b> | <b>821251</b>    | <b>WIRE DRAIN HEATER DOUBLE B</b>     |
| <b>17</b> | <b>821745</b>    | <b>COVER PLUG TYCO</b>                |
| <b>18</b> | <b>814708</b>    | <b>SHIELD HEATER LEFT HAND</b>        |
| <b>19</b> | <b>814460</b>    | <b>HARNESS EARTH 100MM</b>            |

# WATER TANK & DUCT COVER COMPONENTS



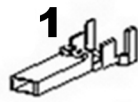
DWG002721 APRIL 2012

DWG 002721

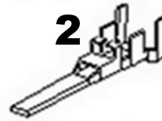
## WATER TANK & DUCT COVER COMPONENTS

| REFERENCE | PART NUMBER    | PART DESCRIPTION                    |
|-----------|----------------|-------------------------------------|
| <b>1</b>  | <b>836849</b>  | <b>COVER DUCT TOP WATER</b>         |
|           | Includes       | TAPE FOAM 440X6X3 S/CELL P3         |
| <b>2</b>  | <b>836846</b>  | <b>TANK DISPENSER ASSEMBLY</b>      |
|           | Includes       | CAP TANK DISPENSER                  |
|           | Includes       | BASE TANK DISPENSER                 |
|           | Includes       | BAFFLE TANK DISPENSER               |
| <b>3</b>  | <b>821135</b>  | <b>TUBE WATER TANK OUTLET</b>       |
| <b>4</b>  | <b>837162</b>  | <b>TUBE WATER TANK INLET</b>        |
| <b>5</b>  | <b>836861</b>  | <b>COVER DUCT PC B LONG WATER</b>   |
| <b>6</b>  | <b>873950</b>  | <b>INSULATION COVER DUCT LONG B</b> |
| <b>7</b>  | <b>813287</b>  | <b>GRILLE PC RETURN AIR B MODEL</b> |
| <b>8</b>  | <b>872823</b>  | <b>INSULATION INSERT PID</b>        |
| <b>10</b> | <b>855203P</b> | <b>SENSOR KIT ASSY ACTV SM</b>      |
|           | Includes       | HEATSHRINK 25MM                     |
|           | Includes       | HARNESS SENSOR PC                   |
|           | Includes       | CONNECTOR BUTT (2)                  |
|           | Includes       | SHEET INSTRUCTN BUTT CONNECTORS     |

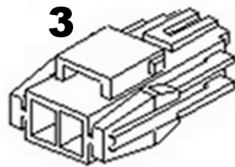
# TERMINAL, PLUGS & SOCKETS



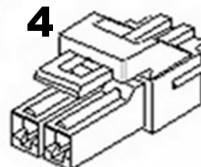
**1**  
JST SOCKET TERMINAL



**2**  
JST PIN TERMINAL



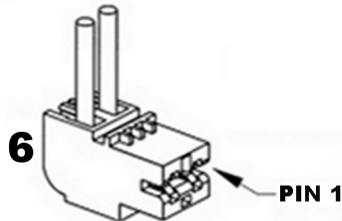
**3**  
JST SOCKET



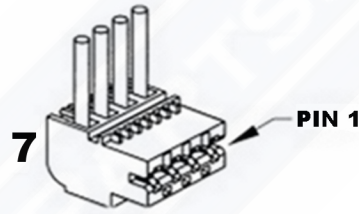
**4**  
JST PLUG



**5**  
JST RETAINER



**6**  
RAST CONNECTOR



**7**  
RAST CONNECTOR

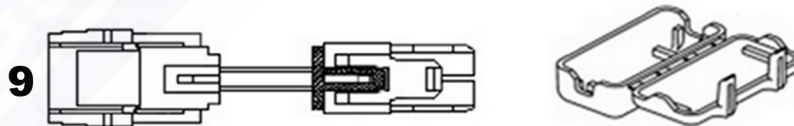
**NOTE THAT IN THE PART NAMES OF THESE CONNECTORS, THE -02- REFERS TO IT BEING A 2 WAY CONNECTOR, AND THE -AB01-(FOR EXAMPLE) REFERS TO THE CODING OF THE CONNECTOR.**



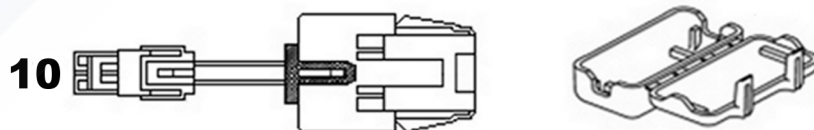
**8**  
RAST CONNECTOR

**NEW EDGE CONNECTOR SERIES WITH INTERNAL CODING - NOTE THE WALL**

**NOTE: TO MINIMISE THE NUMBER OF SPARE PARTS THAT NEED TO BE CARRIED, THESE CODED CONNECTORS ARE TO BE REPLACED WITH THEIR UNCODED EQUIVALENTS FOR THE 3, 5 AND 6 WAY CONNECTORS USED ON STAGE 4 CABINETS.**



**9**  
HARNESS ADAPTOR - JST REC TO MOLEX PLUG



**10**  
HARNESS ADAPTOR - JST PLUG TO MOLEX REC

DWG002630 FEBRUARY 2012

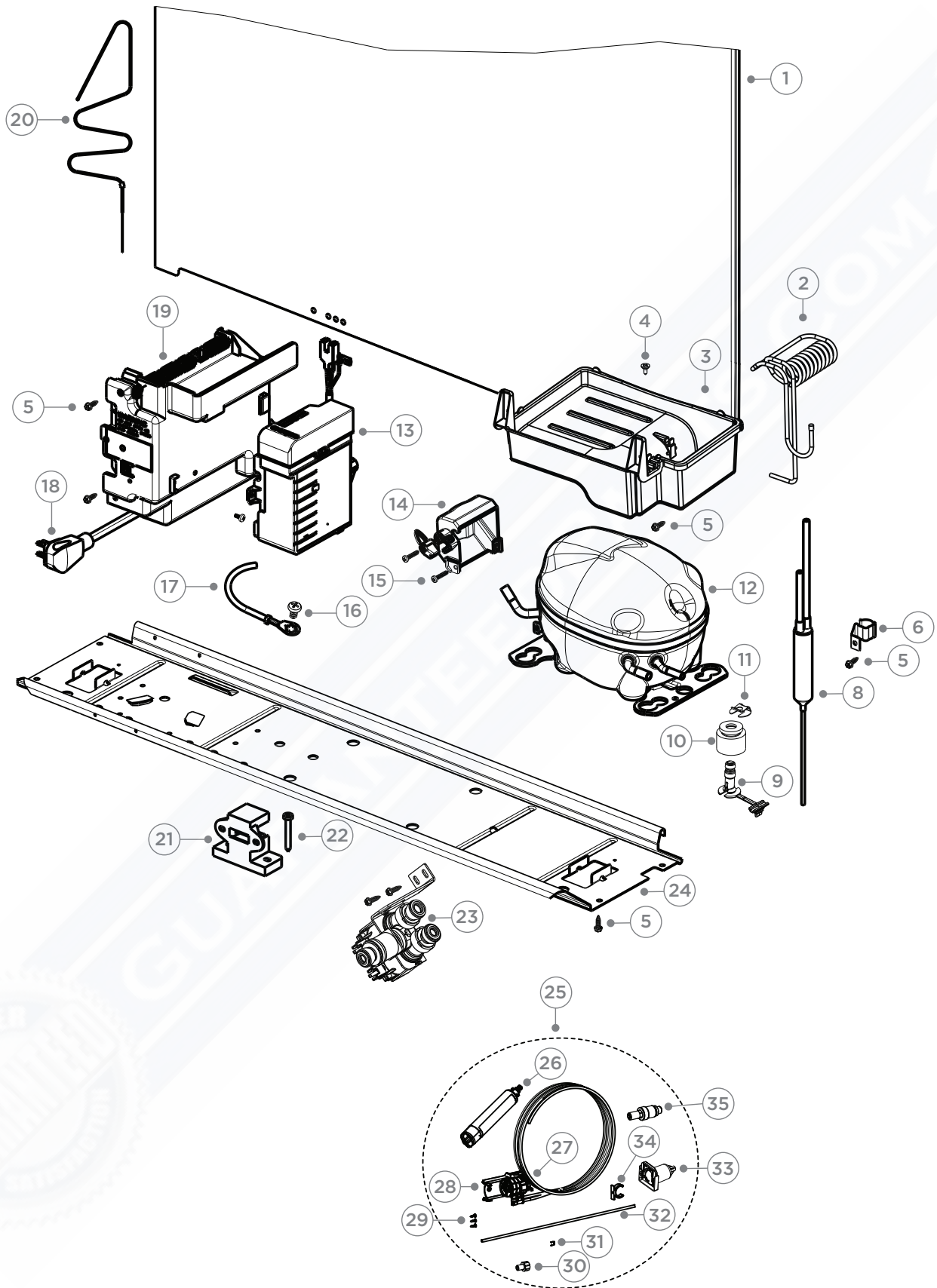


## TERMINAL, PLUGS & SOCKETS

| REFERENCE | PART NUMBER     | PART DESCRIPTION              | COMMENTS         |
|-----------|-----------------|-------------------------------|------------------|
| 1         | 819607P         | TERMINAL SYF-01T PKT 10       | 26/20 AWG        |
|           | 819608P         | TERMINAL SYF-41T PKT 10       | 20/16 AWG        |
| 2         | 819609P         | PIN/TERM SYM-01T PKT 10       | 26/20 AWG        |
|           | 819610P         | PIN/TERM SYM-41T PKT 10       | 20/16 AWG        |
| 3         | 819615          | JST SOCKET 2PIN YLR-02V       |                  |
|           | 819616          | JST SOCKET 3PIN YLR-03V       |                  |
|           | 819617          | JST SOCKET 4PIN YLR-04V       |                  |
|           | 819618          | JST SOCKET 6PIN YLR-06VF      |                  |
|           | 819619          | JST SOCKET 8 PIN YLR-08V      |                  |
| 4         | 819611          | JST PLUG 2PIN YLP-02V         |                  |
|           | 819612          | JST PLUG 4PIN YLP-04V         |                  |
|           | 819613          | JST PLUG 6PIN YLP-06V         |                  |
|           | 819614          | JST PLUG 8PIN YLP-08V         |                  |
| 5         | 819620          | RETAINER 2 WAY YLS-02V        |                  |
|           | 819621          | RETAINER 3 WAY YLS-03V        |                  |
| 6         | 881588          | CONNECTOR RAST 9290-02-AB01   | MAINS CORD       |
|           | 881589          | CONNECTOR RAST 9290-02-BA01   | DEFROST HEATER   |
|           | 881590          | CONNECTOR RAST 9290-02-EE01   | RUN CAPACITOR    |
| 7         | 881591          | CONNECTOR RAST 9290-04-EF02   | COMPRESSOR CABLE |
| 8         | 873251          | CONNECTOR RAST 7234-003-500   |                  |
|           | 873250          | CONNECTOR RAST 7234-004-500   |                  |
|           | 881135          | CONNECTOR RAST 7234-005-500   |                  |
|           | 873247          | CONNECTOR RAST 7234-006-500   |                  |
|           | 873279          | CONNECTOR RAST 7234-008-500   |                  |
|           | 873248          | CONNECTOR RAST 7234-010-500   |                  |
|           | 873243          | CONNECTOR RAST 7234-012-500   |                  |
|           | 881136          | CONNECTOR RAST 7234-014-500   |                  |
|           | 881137          | CONNECTOR RAST 7234-017-502   |                  |
| 9         | 820687P         | ADAPTOR JST REC TO MOLEX KIT  |                  |
|           | Includes 884412 | COVER PLUG MOLEX              |                  |
| 10        | 820688P         | ADAPTOR JST PLUG TO MOLEX KIT |                  |
|           | Includes 884412 | COVER PLUG MOLEX              |                  |

**NOTE:** THE NUMBERS IN THE DESCRIPTION OF THE RAST CONNECTOR DENOTES THE NUMBER OF CONNECTIONS - EXAMPLE: 7234-017-502 =17 WAY CONNECTOR

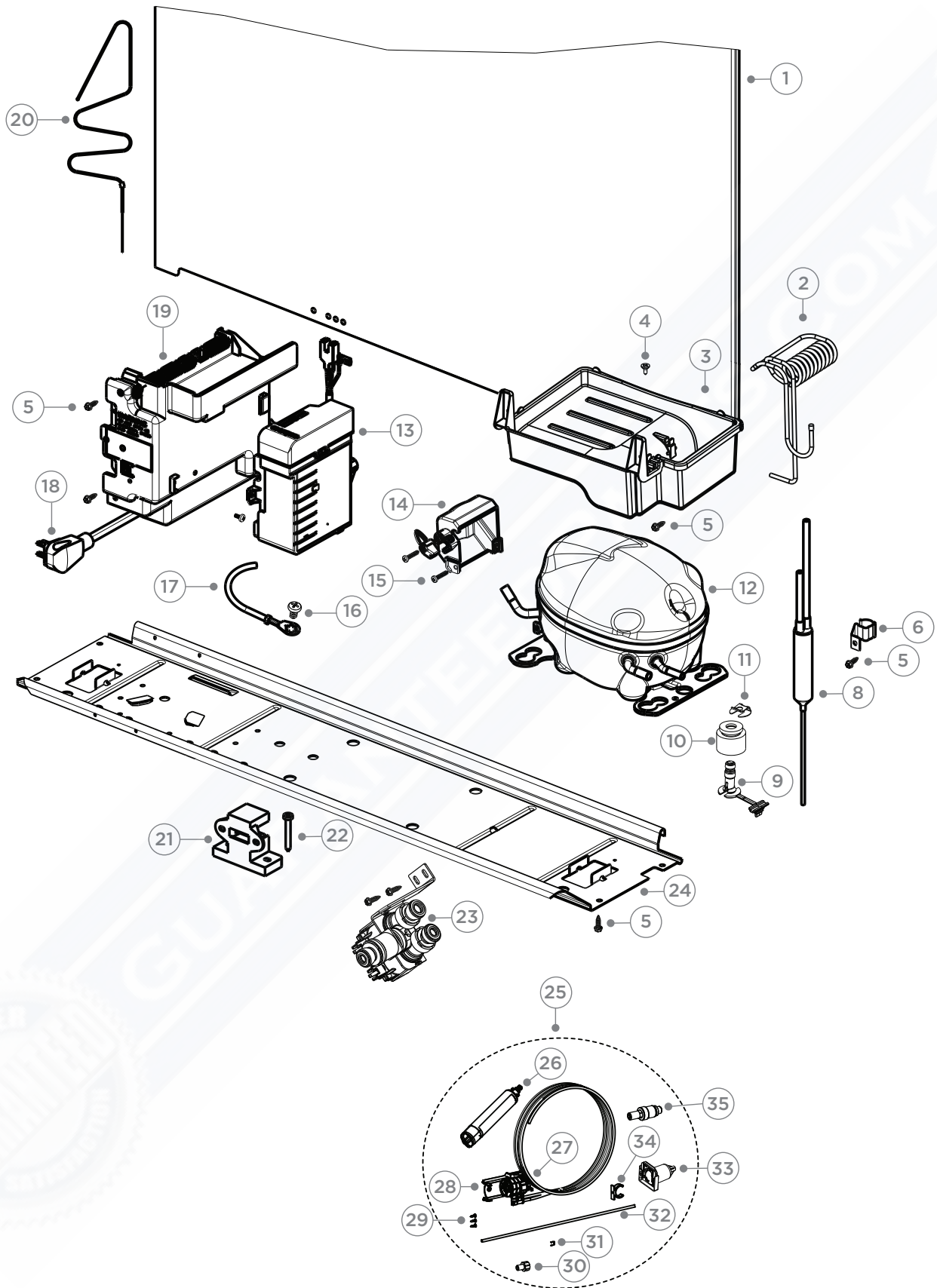
# COMPRESSOR AREA COMPONENTS



## COMPRESSOR AREA COMPONENTS

| REFERENCE | PART NUMBER     | PART DESCRIPTION                        |
|-----------|-----------------|---|
| 1         | 821301          | PANEL BACK FORMED 635-1660              |
| 2         | 837283          | TUBE DISCHARGE COILED                   |
| 3         | 820573          | TRAY EVAP COMPACT ASSY PP               |
| 4         | 815236P         | SCREW #12X1/2 CSK PH TV (PKT 10)        |
| 5         | 817834P         | SCREW #8X16 HEX (PKT 10)                |
| 6         | 839481          | CLIP DRIER                              |
| 8         | 814843P         | FILTER DRIER LONG TAIL XH9 12 GRM       |
| 9         | 841291P         | POST COMP MTG 26MM PKT X4               |
| 10        | 843824P         | GROMMET 26MM KIT                        |
| 11        | 855270P         | CLIP FOOT COMPRESSOR (PKT 4)            |
| 12        | 207432P         | COMPR PKD EMB VESD9CEVO                 |
|           | includes        | COMPR EMB VESD9CEVO                     |
|           | includes 207310 | COVER PROTECTOR VEM                     |
|           | includes 207313 | SCREW INVERTER VEM (4)                  |
|           | includes        | FILTER PREBRAZED LONG TAIL              |
|           | includes        | POST COMPR MNTG 26MM (4)                |
|           | includes        | GROMMET COMPR MTG 26MM (4)              |
|           | includes        | CLIP FOOT COMPRESSOR (4)                |
|           | includes        | PIN LOCKING COMP (4)                    |
| 13        | 207437P         | INVERT PKD VESD9CEVO 115V FA            |
| 14        | 207310          | COVER PROTECTOR VEM                     |
| 15        | 207313P         | SCREW INVERTER VEM (PKT10)              |
| 16        | 817828P         | SCREW 8-32X8 TY T PAN PH TV (PKT 10)    |
| 17        | 863228          | HARNESS MOD VCC UL EMB                  |
| 18        | 837802          | CORD SET USA MODEL                      |
| 19        | 851578P         | MOD CTRL VES AS51 120-230V SVC          |
| 20        | 849742          | SUCTION CAPILLARY BENT B                |
| 21        | 880911          | BRACKET STABILITY ASSY                  |
| 22        | 815267P         | SCREW #10X40 TAB PAN PH STS TV (PKT 10) |
| 23        | 820718          | VALVE ICE WATER 16 WATT                 |
| 24        | 820335          | TRAY COMP MOUNTING 635VCC               |

# COMPRESSOR AREA COMPONENTS



## COMPRESSOR AREA COMPONENTS

| REFERENCE | PART NUMBER     | PART DESCRIPTION                          |
|-----------|-----------------|---|
| <b>25</b> | <b>864164</b>   | <b>KIT INSTL FILTER WATER FIXATION US</b> |
|           | includes 847200 | REFRIGERATOR WATER FILTER                 |
|           | includes 847480 | BRACKET FILTER WATER ASSY                 |
|           | includes 611812 | SCREW ST 10X5/8 MSH PAN HP 430 (3)        |
|           | includes 847848 | TUBE FILTER WATER 1/4" 500MM              |
|           | includes 312198 | ADAPTOR TUBE-TAP1/4"-7/16"UNS             |
|           | includes 847700 | CLIP LOCKING I&W                          |
|           | includes 847538 | BRACKET WALL PLV                          |
|           | includes 846219 | VALVE PRESSURE LIMIT 550KPA               |
|           | includes 847312 | HEAD FILTER WATER 90 DEG FS               |
|           | includes 863600 | WATER INLET FIXATION ASSY                 |
| <b>26</b> | <b>847200</b>   | <b>REFRIGERATOR WATER FILTER</b>          |
| <b>27</b> | <b>847312</b>   | <b>HEAD FILTER WATER 90 DEG FS</b>        |
| <b>28</b> | <b>847480</b>   | <b>BRACKET FILTER WATER ASSY</b>          |
| <b>29</b> | <b>611812P</b>  | <b>SCREW ST 10X5/8 MSH PAN PKT 10</b>     |
| <b>30</b> | <b>312198</b>   | <b>ADAPTOR TUBE-TAP1/4"-7/16"UNS</b>      |
| <b>31</b> | <b>847700</b>   | <b>CLIP LOCKING I&amp;W</b>               |
| <b>32</b> | <b>847848</b>   | <b>TUBE FILTER WATER 1/4" 500MM</b>       |
| <b>33</b> | <b>863600</b>   | <b>WATER INLET FIXATION ASSY</b>          |
| <b>34</b> | <b>847538</b>   | <b>BRACKET WALL PLV</b>                   |
| <b>35</b> | <b>846219</b>   | <b>VALVE PRESSURE LIMIT 550KPA</b>        |