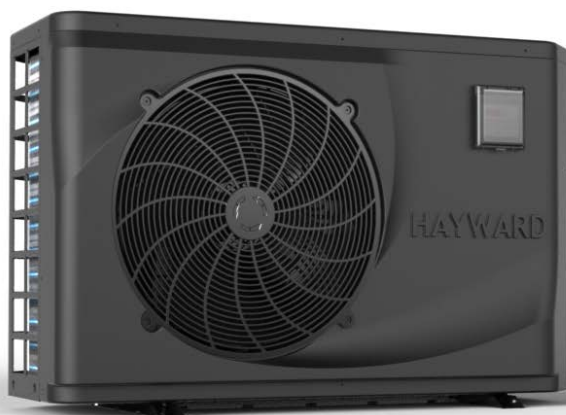




SWIMMING POOL HEAT PUMP UNIT

Installation & Instruction Manual

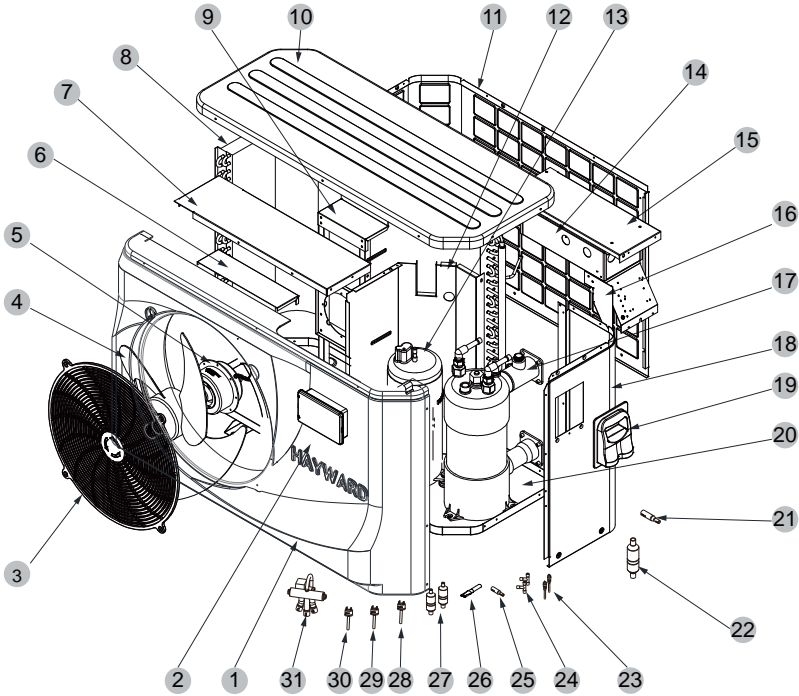
Model HP50TR



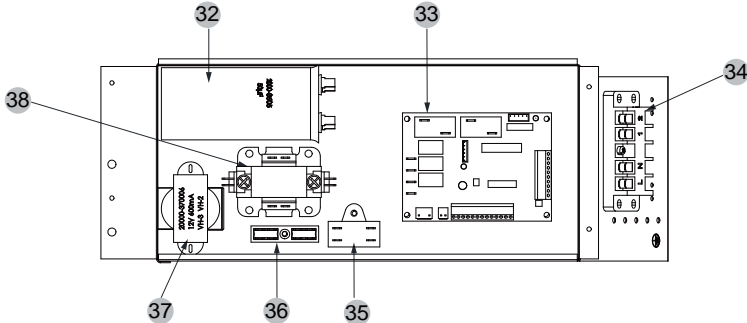
6.APPENDIX

6.3 Exploded View

(1) Complete machine structure explosion diagram



(2) Electrical control structure explosion diagram



6.APPENDIX

(3) Spare Parts List

SN	HPX Code	Description	Specification	Qty
1	HPX80901579	Front panel	ABS	1
2	HPX72200268	LED207	82300029+82400226	1
3	HPX20000-220188	Plastic fan net	Φ507 ABS+30%GF	1
4	HPX3500-2701	Fan blade	Φ440×152 AS+20%GF	1
5	HPX20000-330124	Motor	YDK45-6(YY060-1206P01-004) UL	1
6	HPX32008-210069	Front fixed plate	Galvanized sheet	1
7	HPX32012-210737	Support plate	Galvanized sheet	1
8	HPX32012-120165	Finned heat exchanger	746.5×284×600×Φ7×2 2.0	1
9	HPX32012-210742	Motor bracket	Galvanized sheet	1
10	HPX32012-220009	Top panel	ABS	1
11	HPX32012-210736	Left rear panel	Galvanized sheet	1
12	HPX80700713	Partition	Galvanized sheet	1
13	HPX20000-110041	Compressor	PA270X3CS-3MUU	1
14	HPX32012-210739	Electrical box	Galvanized sheet	1
15	HPX32012-210740	Cover plate	Galvanized sheet	1
16	HPX32012-210220	Fire damper	Galvanized sheet	1
17	HPX80601120	Titanium tube heat exchanger	Φ12.7×9m Φ160	1
18	HPX32012-210735	Right rear panel	Galvanized sheet	1
19	HPX32009-220029	Junction box body	ABS	1
20	HPX32012-210741	chassis	Galvanized sheet	1
21	HPX2002-1443	Straight through valve	Φ19-Φ12.9×1.0 T2M	1
22	HPX2001-1499	Check valve	PKV-6X1	1
23	HPX20000-140150	Needle valve	40mm 1/2"	2
24	HPX2000-1460	Tee	Φ6.5-2×Φ6.5(T)×0.75 T2M	2
25	HPX20000-140058	Straight through vale	Φ9.52-Φ3.×0.75 T2M	1
26	HPX20000-140067	Double capillary joint	2×Φ3.4-Φ9.52	1
27	HPX2004-1444	Filter	Φ9.7-Φ9.7(Φ28) T2Y2	2
28	HPX2000-3603	Low Pressure switch	0.30MPa/0.15MPa ±0.05 NO	1
29	HPX2001-3605	High Pressure switch	3.2MPa/4.4MPa ±0.15 NC	1
30	HPX20000-360059	High Pressure switch	3.2MPa/4.0MPa ±0.15 NC	1
31	HPX20000-140484	Four-way valve	DSF-9-R410A	1
32	HPX2000-3505	Compressor capacitor	CBB65-50μF/450V P2 Blv	1
33	HPX72200053	PC1001	82300022+35005-310145	1
34	HPX20000-390231	Five position connector	UTD-32/5P(L1、L2、PE、1、2)	1
35	HPX2000-3501	Fan capacitor	CBB61-3μF/500V(450V)P2	1
36	HPX2000-3909	Two position connector	RS9211(450V~ 4mm ²)	1
37	HPX20000-370006	Power transformer	41X26.5F+red(VH-3)、yellow(VH-2)	1
38	HPX20000-360103	Single-phase ac contactor	HCC-2XU04AA415	1