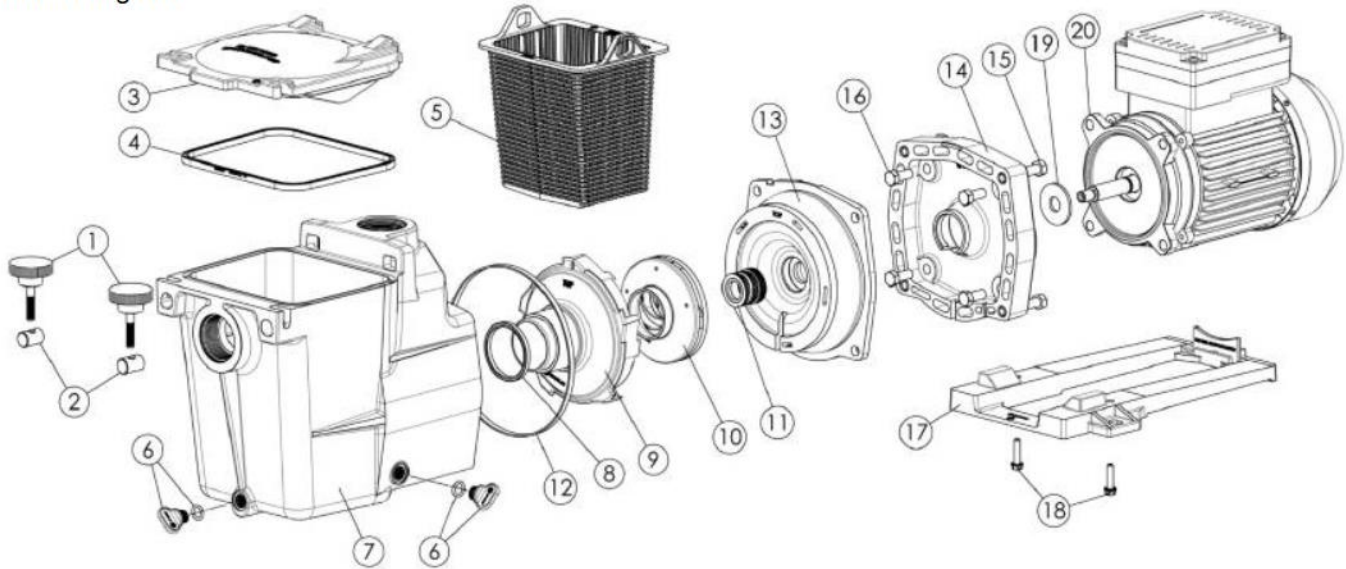




Replacement Parts

Parts Diagram



REFERENCE NUMBER	DESCRIPTION	NUMBER REQUIRED	PART NUMBER	
			MODEL SP2670007X10	MODEL SP2670010X15
1	HAND KNOB	2	SPX1600P	SPX1600P
2	SWIVEL NUT	2	SPX1600N	SPX1600N
3	STRAINER COVER	1	SPX1600D	SPX1600D
4	STRAINER COVER GASKET	1	SPX1600S	SPX1600S
5	BASKET	1	SPX1600M	SPX1600M
6	DRAIN PLUG W/ GASKET	2	SPX4000FG	SPX4000FG
7	PUMP/STRAINER HOUSING	1	SPX1600AA	SPX1600AA
8	DIFFUSER GASKET	1	SPX1600R	SPX1600R
9	DIFFUSER	1	SPX2600B	SPX2600B
10	IMPELLER	1	SPX2607C	SPX2610C
11	SEAL ASSEMBLY	1	SPX1600Z2VIT	SPX1600Z2VIT
12	HOUSING GASKET	1	SPX1600T	SPX1600T
13	SEAL PLATE	1	SPX2600E5	SPX2600E5
14	MOTOR MOUNTING PLATE	1	SPX1600F5	SPX1600F5
15	HOUSING CAP SCREW	4	SPX1600Z4	SPX1600Z4
16	MOTOR CAP SCREW	4	SPX125Z4	SPX125Z4
17	MOUNTING FOOT [WILL INCLUDE SCREWS(ITEM #18)]	1	SPX2600G1	SPX2600G1
18	MOUNTING FOOT CAP SCREW	2	SPX1600J	SPX1600J
19	SLINGER	1	SPX0125F	SPX0125F
20	MOTOR- TEFC [WILL INCLUDE SLINGER (ITEM #19)]	1	SPX2607Z1MTG	SPX2610Z1MTG