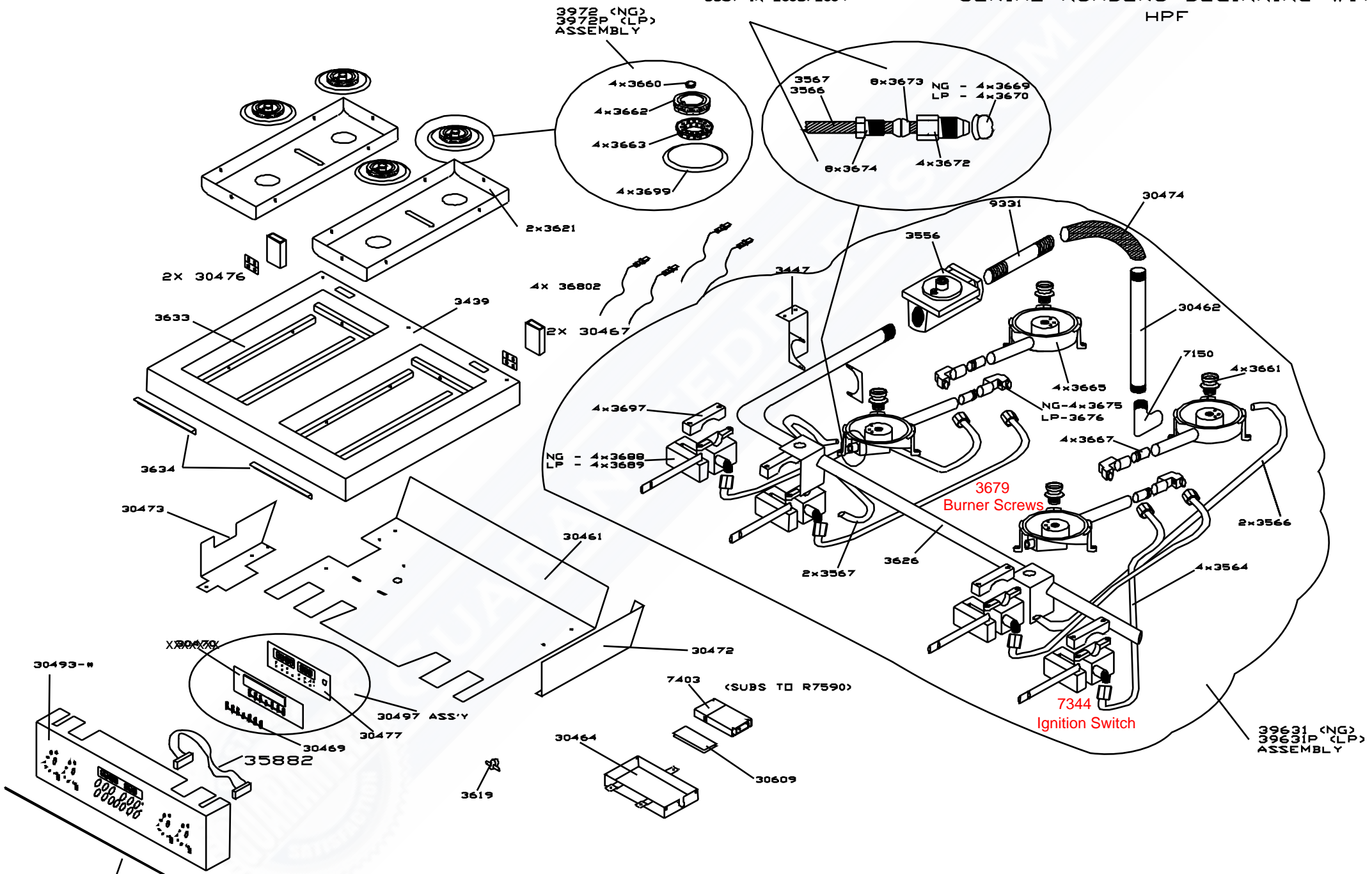


DESCRIPTION

30" TOP AND CONTROL
39601

SERIAL NUMBERS BEGINNING WITH
HPF

REPLACED WITH 3566 AND
3567 IN 2003/2004

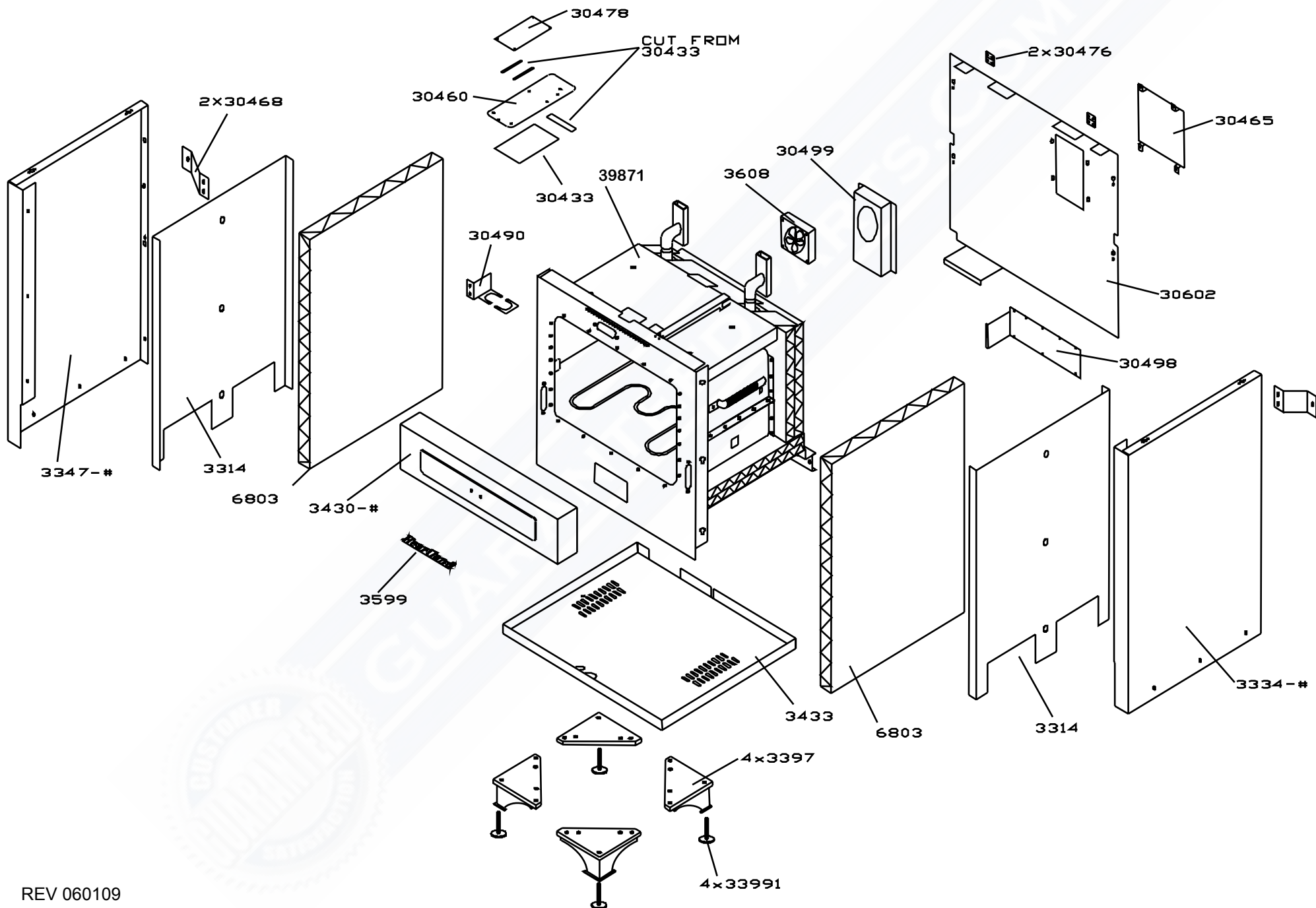


PAGE ID 13530 30" TOP AND CONTROL PANEL ASSEMBLY- 39601		
PART # / ITEM #	DESCRIPTION	NOTES
3447	MANIFOLD BACK BRACKET	
3556	GAS REGULATOR 5" NG/ 10" LP	
3564	5/16" ALUMINUM TUBING	
3566	3/16" ALUMINUM TUBING - SIMMER BURNER	
3567	3/16" 14" ALUMINUM TUBING - SIMMER BURNER	
3619	EL TIMER SAFETY THERMOSK	
3621	BURNER TRAY	
3626	MANIFOLD WELDMENT	
3633	BURNER TRAY SIDE BRACKETS	
3634	BURNER TRAY BRACKET FRONT/BACK	
3660	DUAL BURNER INNER HEAD	PART OF 3972 & 3972P BURNER ASSEMBLIES
3661	DUAL BURNER INNER BASE	PART OF 3972 & 3972P BURNER ASSEMBLIES
3662	DUAL BURNER OUTER HEAD	PART OF 3972 & 3972P BURNER ASSEMBLIES
3663	DUAL BURNER CROSS RING - BRASS	PART OF 3972 & 3972P BURNER ASSEMBLIES
3665	DUAL BURNER OUTER BASE	PART OF 3972 & 3972P BURNER ASSEMBLIES
3667	VENTURI	PART OF 3972 & 3972P BURNER ASSEMBLIES (C/W VENTURI AND AIR SHUTTER)
3669	MAIN SIMMER JET # 34 - NG	PART OF 3972 BURNER ASSEMBLY
3670	MAIN SIMMER JET # 7 - LP	PART OF 3972P BURNER ASSEMBLY
3672	INNER ORIFICE FITTING	PART OF 3972 & 3972P BURNER ASSEMBLIES
3673	3/16" COMPRESSION SLEEVE	
3674	3/16" COMPRESSION NUT - M8 X 1	
3675	JET HOLDER - NG 1.70	PART OF 3972 BURNER ASSEMBLY
3676	JET HOLDER - LP 1.10	PART OF 3972P BURNER ASSEMBLY
3688	DUAL BURNER VALVE - NG	
3689	DUAL BURNER VALVE - LP	
3697	DUAL VALVE & OVEN FIXING CLIP	
3699	FLAT BEAUTY RING	PART OF 3972 & 3972P BURNER ASSEMBLIES
3972	DUAL BURNER ASSEMBLY	ASSEMBLY
7150	CAST STREET ELBOW - 1/2" - 90°	
7403	SPARK MODULE - 0 + 6	IF THE UNIT HAS A BLUE SPARK MODULE 7403 - R7590 AND WIRE HARNESS 35914 NEED TO BE ORDERED
9331	6" BLACK PIPE NIPPLE - 1/2" NPT	
30461	TOP HEAT SHIELD	
30462	18" BLACK PIPE	
30464	SPARK MODULE BOX	
30467	TOP FLUE WELDMENT	
30469	PLASTIC BUTTONS (SET) - TAC SWITCH	PART OF 30497 ASSEMBLY
30470	PLASTIC BEZEL - TAC SWITCH	PART OF 30497 ASSEMBLY
30472	TOP HEAT SHIELD - LEFT SIDE	
30473	TOP HEAT SHIELD - RIGHT SIDE	
30474	FLEXIBLE GAS LINE - 5/8" X 12"	
30476	HINGE FOR PROP UP TOP	
30477	CONTROL BOARD	PART OF 30497 ASSEMBLY
30497	CONTROL BOARD ASSEMBLY	ASSEMBLY
30607	30" IGNITION POWER HARNESS	
30609	VELCRO - 2"	
30620	30" NICKEL TRIM STRIP	
35882	FLAT CONTROL CABLE	
36802	ELECTRODE C/W 445M LEAD	ORDER PART # R36802 C/W HEAT SHRINK WRAP
39631	NG - 30" BURNER & VALVE ASSEMBLY COMPLETE	ASSEMBLY
30493-#	30" CONTROL PANEL	REFER TO COLOUR LEGEND FOR COLOUR OPTIONS
3439-#	30" STOVE TOP	REFER TO COLOUR LEGEND FOR COLOUR OPTIONS
39631P	LP - 30" BURNER & VALVE ASSEMBLY COMPLETE	ASSEMBLY
3964P	4 BURNER VALVE ASSEMBLY	
3972P	DUAL BURNER ASSEMBLY - LP	ASSEMBLY
COLOUR LEGEND		
1	ALMOND	
2	WHITE	
5	CLASSIC BLUE	
6	BLACK	
11	INDIAN RED - DISCONTINUED	
12	DEEP BLUE - DISCONTINUED	
13	DESERT SAND	
17	GUN METAL GREY	

DESCRIPTION

30" BODY ASS'Y LII - CANAM
39501

SERIAL NUMBERS BEGINNING WITH
HPF



PAGE ID 23530 30" BODY ASSEMBLY- 39501		
PART # / ITEM #	DESCRIPTION	NOTES
3314	SIDE HEAT SHIELD	
3433	30" STOVE BASE	
3599	HEARTLAND LOGO	
3608	TUBEAXIAL FAN 230V 50/60 HZ	
6803	LEFT HAND BROILER INSULATION 2 X 20 X 22	
30433	1/4" FIBER FRAX 6.47 X 9.59	
30460	RELAY BOARD MOUNTING PLATE	
30463	MAIN WIRING HARNESS	
30465	RESTRICTION PLATE	
30468	SIDE PANEL BRACE	
30475	COMMON WIRING HARNESS	
30476	HINGE FOR POP UP BAR	
30478	RELAY BOARD	
30490	GAS LINE SUPPORT BRACKET	
30498	BACK ELECTRICAL COVER	
30499	FAN MOUNT CHANNEL	
30602	STOVE BACK	
33991	3" LEG HEIGHT ADJUSTER	
35932	2 PIN SHIELDED PROBE WIRE ASSEMBLY	
35934	MICRO SWITCH TO DOOR LOCK HARNESS	
35937	DOOR LOCK MICRO SWITCH	
39871	OVEN SUB ASSEMBLY - COMPLETE	
3430-#	KICK PLATE	REFER TO COLOUR LEGEND FOR COLOUR OPTIONS
3334-#	RIGHT SIDE PANEL	REFER TO COLOUR LEGEND FOR COLOUR OPTIONS
3347-#	LEFT SIDE PANEL	REFER TO COLOUR LEGEND FOR COLOUR OPTIONS
3397-#	LEG	REFER TO COLOUR LEGEND FOR COLOUR OPTIONS
COLOUR LEGEND		
1	ALMOND	
2	WHITE	
5	CLASSIC BLUE	
6	BLACK	
11	INDIAN RED - DISCONTINUED	
12	DEEP BLUE - DISCONTINUED	
13	DESERT SAND	
17	GUN METAL GREY	

REV 060109

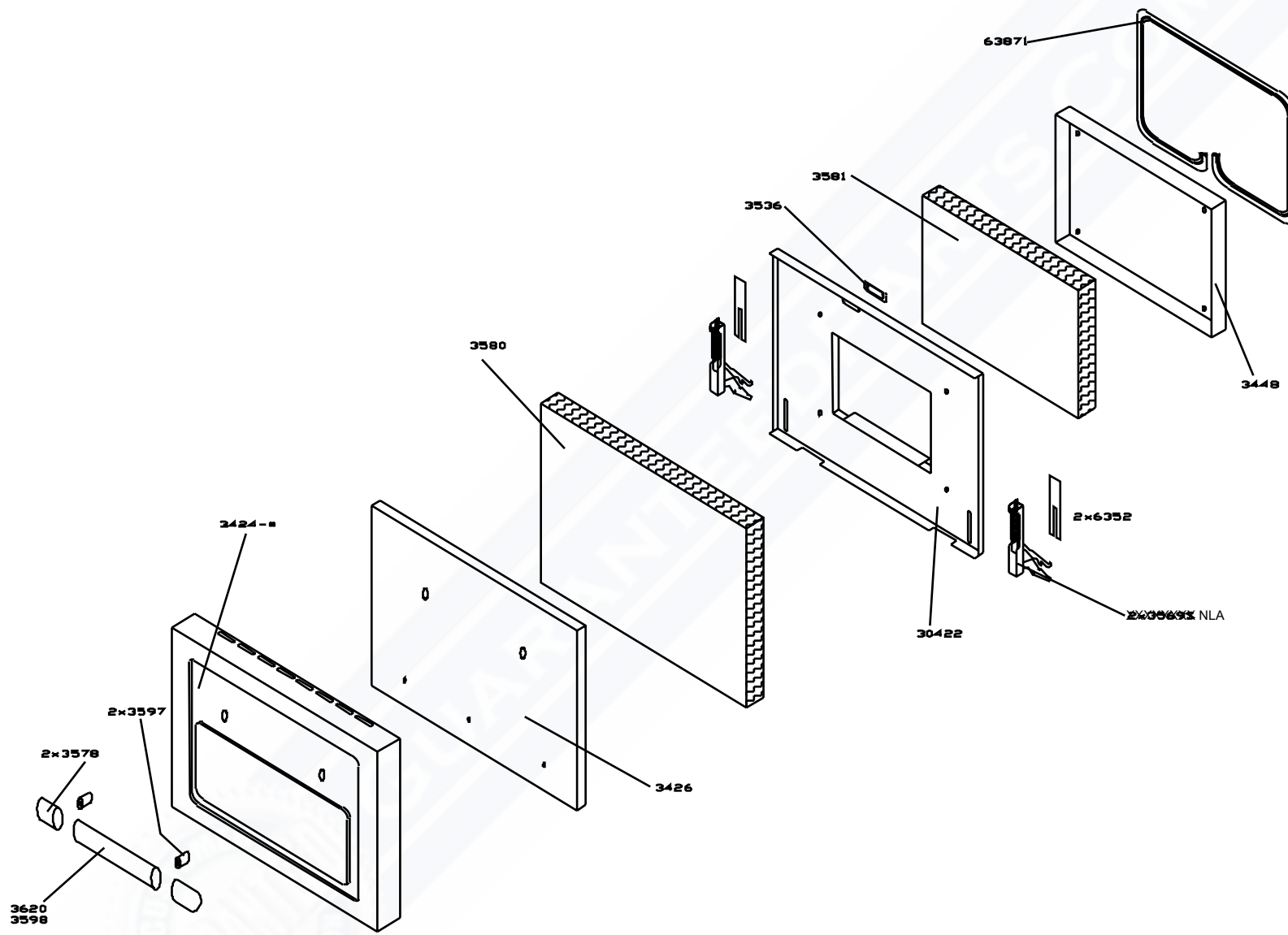
PAGE ID33530		30" OVEN SUB ASSEMBLY- 39871	
PART # / ITEM #	DESCRIPTION	NOTES	
3306	OVEN CUTOFF COVER		
3307	MOTOR MOUNT		
3357	S/C LATCH		PART OF R3568 ASSEMBLY
3372	OVEN JOINT COVER		
3384	LATCH MOUNT BRACKET		PART OF R3568 ASSEMBLY
3396	HALOGEN LIGHT BULB		PART OF 3561 ASSEMBLY
3401	OVEN TOP SECTION - GREY		
3402	OVEN BOTTOM SECTION - GREY		
3403	OVEN FACE - GREY		
3404	OVEN BACK PANEL - GREY		
3405	OVEN BAFFLE - GREY		
3408	REAR OVEN SUPPORT		
3409	OVEN BACK INSULATION PANEL		
3410	OVEN BOTTOM INSULATION PANEL		
3412	RECESS FILLER - GREY		
3429	OVEN TOP INSULATION PANEL		
3440	S/C SWITCH BRACKET		PART OF R3568 ASSEMBLY
3456	BROIL ELEMENT COVER		PART OF R3555 ASSEMBLY
3532	HINGE REINFORCEMENT BRACKET		
3536	OVEN FACE LATCH COVER		
3552	BAKE ELEMENT - 3400W		
3553	CONVECTION FAN RING - 3000W		
3555	BROIL RIBBON ELEMENT 17 X 12 - 3500 WATT		PART OF R3555 ASSEMBLY
3560	OVEN LIGHT TRANSFORMER		
3561	HALOGEN OVEN LIGHT ASSEMBLY		ASSEMBLY
3568	DOOR LOCK MECHANISM		PART OF R3568 ASSEMBLY
3571	OVEN THERMO PROBE		
3584	INSULATION 25" X .50 X 2" - DIE CUT- OVEN BACK		
3585	INSULATION 27" X 21" X 2"		
3589	OVEN TOP INSULATION - SUPER WOOL		
6209	220V POWER BLOCK		
6217	BAKE/BROIL HI LIMIT		
6380	SMOKE ELIMINATOR		
6382	RESET HI LIMIT		
6385	MICRO SWITCH		PART OF R3568 ASSEMBLY
6389	SMOKE ELIMINATOR GASKET		
6391	THERMOSTAT PROTECTOR TUBE		
6500	MICRO SWITCH INSULATOR		
9008	CONVECTION FAN UNIT		
9011	CONVECTION FAN BLADE		
30466	PROP UP BAR		
30476	HINGE FOR PROP UP BAR		
30604	EXHAUST PIPE WELDMENT		
33131	ELEMENT GLASS HOLDER		PART OF R3555 ASSEMBLY
33132	ELEMENT HOLDING PANEL		PART OF R3555 ASSEMBLY
35581	BROILER GLASS		PART OF R3555 ASSEMBLY
R3555	30" BROIL ELEMENT REPLACEMENT ASSEMBLY		ASSEMBLY
R3568	DOOR LOCK MECHANISM ASSEMBLY		ASSEMBLY
COLOUR LEGEND			
1	ALMOND		
2	WHITE		
5	CLASSIC BLUE		
6	BLACK		
11	INDIAN RED - DISCONTINUED		
12	DEEP BLUE - DISCONTINUED		
13	DESERT SAND		
17	GUN METAL GREY		

REV 060109

DESCRIPTION

30" LEGEND OVEN DOOR
3970

SERIAL NUMBERS BEGINNING WITH
HPF



PAGE ID43530 OVEN DOOR ASSEMBLY- 3970		
PART # / ITEM #	DESCRIPTION	NOTES
3426	OVEN DOOR HEAT SHIELD	
3448	DOOR BACK GASKET - GREY	
3578	DOOR HANDLE END	
3580	INSULATION 29 3/4" X 19" X 2"	
3581	INSULATION 22 1/2" X 14 1/2 X 2"	
3597	DOOR HANDLE LEG	
3598	DOOR HANDLE - NICKEL	USED ON DARKER COLOURED UNITS
3620	DOOR HANDLE - BLACK	USED ON LIGHTER COLOURED UNITS
6352	OVEN DOOR HINGE GASKET	
30422	INSIDE DOOR PANEL	
63871	HIGH TEMP OVEN DOOR GASKET	
3424-#	LEGEND DOOR FRONT	REFER TO COLOUR LEGEND FOR COLOUR OPTIONS
3689 NLA	OVEN DOOR HINGE	
3990-#	OVEN DOOR ASSEMBLY COMPLETE	
COLOUR LEGEND		
1	ALMOND	
2	WHITE	
5	CLASSIC BLUE	
6	BLACK	
11	INDIAN RED - DISCONTINUED	
12	DEEP BLUE - DISCONTINUED	
13	DESERT SAND	
17	GUN METAL GREY	

REV 060109

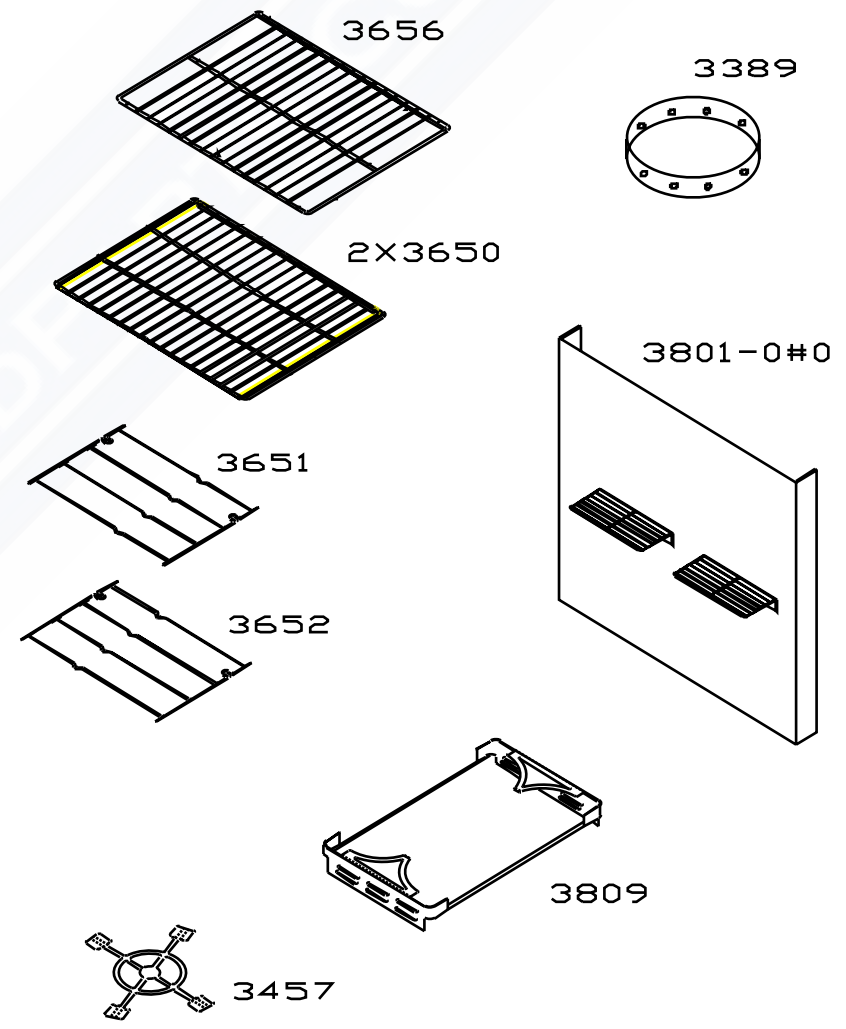
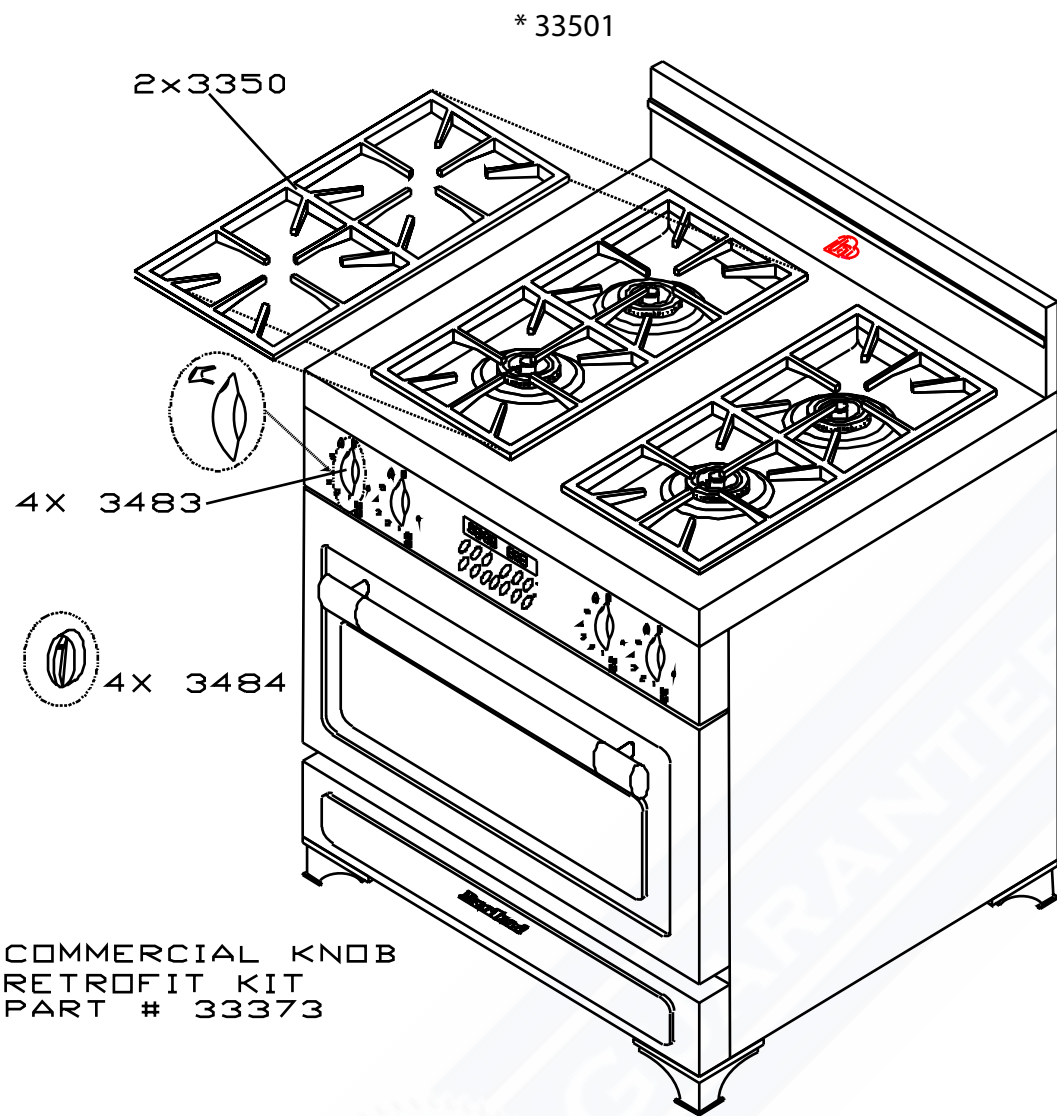
GUARANTEED PARTS.COM



DESCRIPTION

MISC PARTS AND ACCESSORIES

SERIAL NUMBERS BEGINNING WITH
HPF



* RUBBER GROMET # 33501

PAGE ID53530 MISCELLANEOUS PARTS & ACCESSORIES		
PART # / ITEM #	DESCRIPTION	NOTES
3350	DOUBLE CAST GRATE	
3389	STAINLESS STEEL WOK RING	OPTIONAL
3457	SMALL POT TRIVET	
3483	CHROME KNOB W/BLACK INDICATOR	
3484	COMMERCIAL STYLE KNOB	
3650	OVEN RACK	
3651	RIGHT SIDE OVEN RACK SUPPORT	
3652	LEFT SIDE OVEN RACK SUPPORT	
3656	OFFSET OVEN RACK	
3809	GRIDDLE KIT	
33373	COMMERCIAL KNOB RETROFIT KIT	OPTIONAL IF NOT ORDERED ORIGINALLY AS A COMMERCIAL KNOB UNIT
3801-0#0	30" LEGEND SPLASHBACK KIT	OPTIONAL - REFER TO COLOUR LEGEND FOR COLOUR OPTIONS
COLOUR LEGEND		
1	ALMOND	
2	WHITE	
5	CLASSIC BLUE	
6	BLACK	
11	INDIAN RED - DISCONTINUED	
12	DEEP BLUE - DISCONTINUED	
13	DESERT SAND	
17	GUN METAL GREY	

REV 060109

GUARANTEED PART

COM

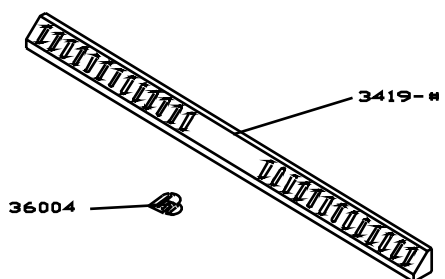


DESCRIPTION

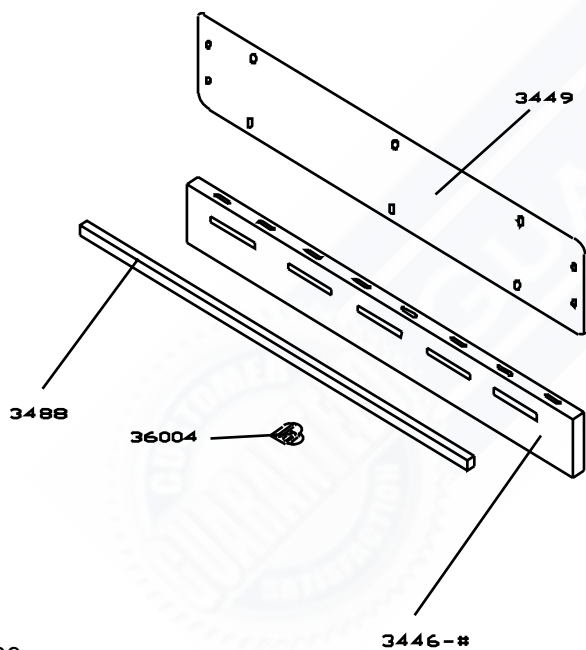
30" LEGEND BACKGUARD
3250, 3252, 3254

SERIAL NUMBERS BEGINNING WITH
HPF

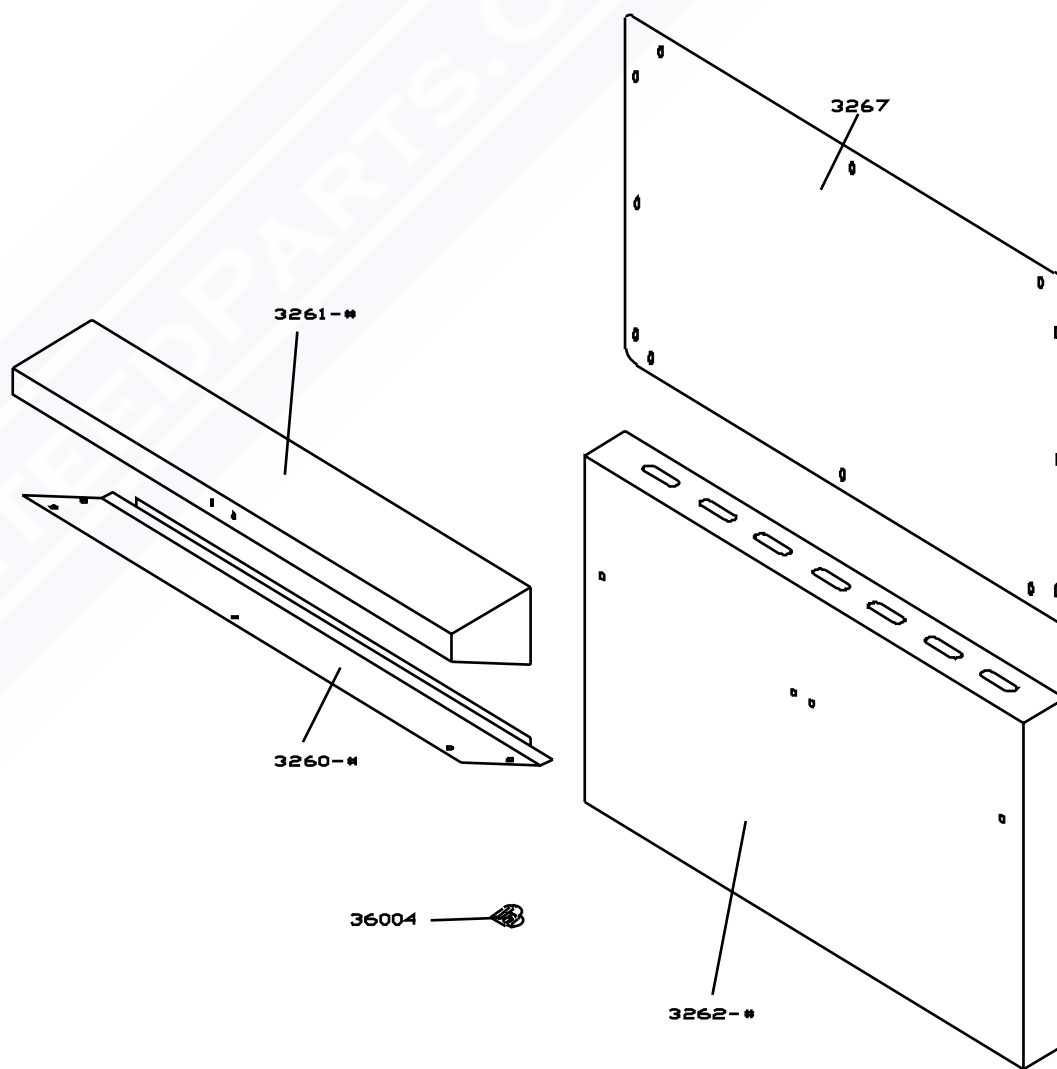
3250-0X0 - LEGEND 30" RANGE LOW
PROFILE BACKGUARD ASSEMBLY



3250-0X0 - LEGEND 30" RANGE
STANDARD BACKGUARD ASSEMBLY



3254-0X0 - LEGEND 30" HIGH
BACKGUARD ASSEMBLY WITH SHELF



PAGE ID63530 BACKGUARD OPTIONS- 3250, 3252, 3254		
PART # / ITEM #	DESCRIPTION	NOTES
3250-0#0	LOW PROFILE BACKGUARD ASSEMBLY	ASSEMBLY - REFER TO COLOUR LEGEND FOR COLOUR OPTIONS
3419-#	LOW PROFILE BACKGUARD	PART OF 3250-0#0 ASSEMBLY - REFER TO COLOUR LEGEND FOR COLOUR OPTIONS
36004	HEARTLAND LOGO	PART OF 3250-0#0 ASSEMBLY
3252-0#0	STANDARD BACKGUARD ASSEMBLY	ASSEMBLY
3449	VENT BACK	PART OF 3252-0#0 ASSEMBLY
3446-#	STANDARD BACKGUARD	PART OF 3252-0#0 ASSEMBLY - REFER TO COLOUR LEGEND FOR COLOUR OPTIONS
36004	HEARTLAND LOGO	PART OF 3252-0#0 ASSEMBLY
3488	VENT HOLE COVER/ TRIM STRIP	PART OF 3252-0#0 ASSEMBLY
3254-0#0	HIGH BACKGUARD ASSEMBLY	ASSEMBLY
3267	BACKGUARD BACK PANEL	PART OF 3254-0#0
3262-#	BACKGUARD FRONT PANEL	PART OF 3254-0#1 - REFER TO COLOUR LEGEND FOR COLOUR OPTIONS
36004	HEARTLAND LOGO	PART OF 3254-0#2
3261-#	BACKGUARD SHELF	PART OF 3254-0#1 - REFER TO COLOUR LEGEND FOR COLOUR OPTIONS
3260-#	BACKGUARD SHELF BOTTOM	PART OF 3254-0#1 - REFER TO COLOUR LEGEND FOR COLOUR OPTIONS
COLOUR LEGEND		
1	ALMOND	
2	WHITE	
5	CLASSIC BLUE	
6	BLACK	
11	INDIAN RED - DISCONTINUED	
12	DEEP BLUE - DISCONTINUED	
13	DESERT SAND	
17	GUN METAL GREY	

REV 060109

GUARANTEED

