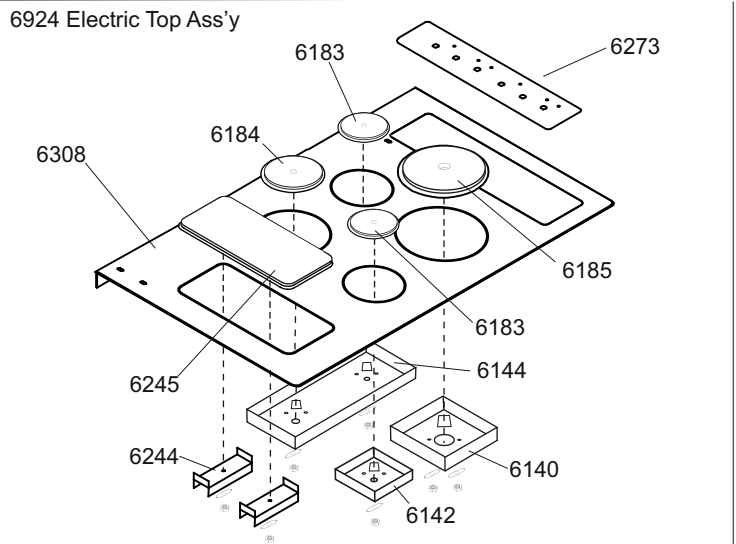
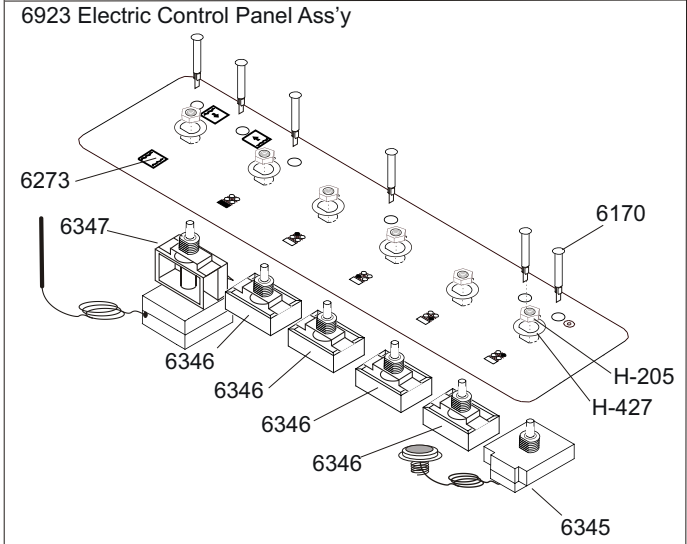
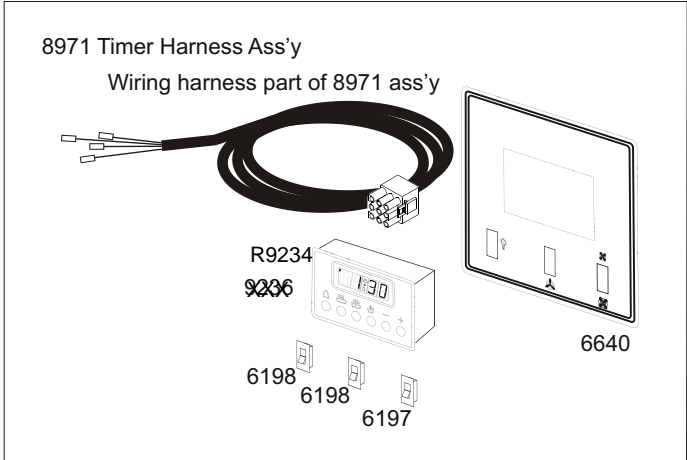
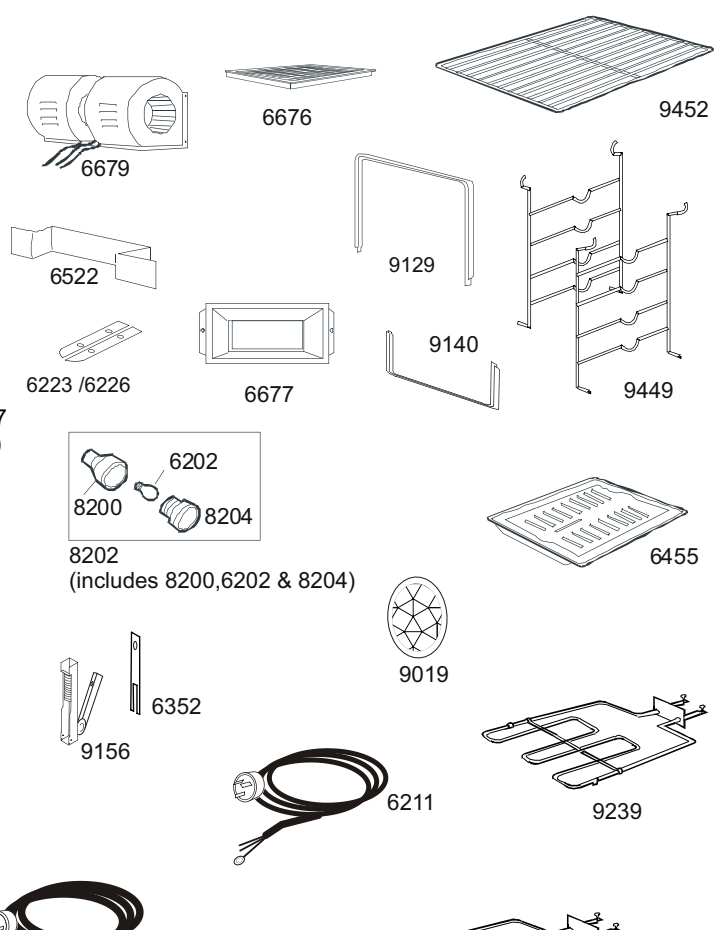
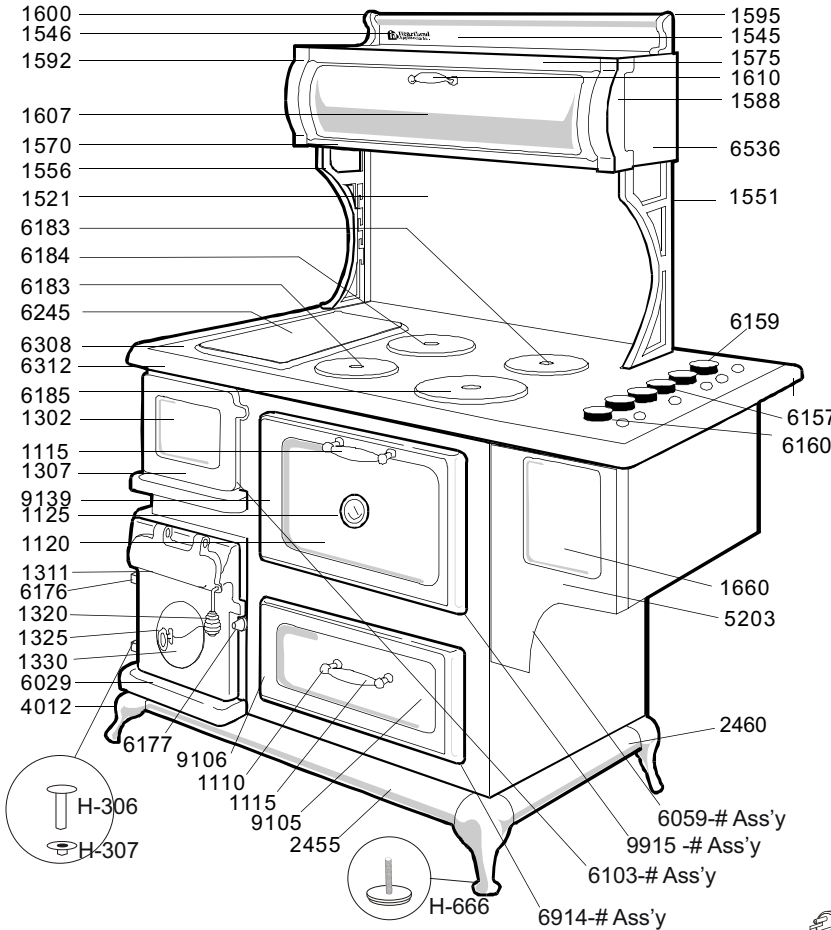


6100-##00#0# 48" ELECTRIC STOVE



PAGE ID	MODEL 6100 (DISCONTINUED)	
PART# / ITEM #	DESCRIPTION	NOTES
1110	Oven Door Handle Stanchion	
1115	Hardwood Oven Door Handle	
1125	Oven Door Thermometer	
1307	Fire Door Frame	
1311	Ash Pan Door - Complete	Subs to Part# 1312
1316	Ash Door Hinge Pin	Subs to Part# H-306
1320	Wire Spring Handle	
1325	Bell Damper Handle	
1330	Bell Damper	
1546	Heartland Nameplate w/ Clips	Subs to Part# 3599
1551	Right Cabinet Bracket	
1556	Left Cabinet Bracket	
1570	Lower Cabinet Strip	
1575	Upper Cabinet Strip	
1588	Right Cabinet Corner	
1592	Left Cabinet Corner	
1595	Right Cresting Corner	
1600	Left Cresting Corner	
1610	Cabinet Door Handle	Subs to Part# R1609
2455	Base Rail - Front	
2456	Base Rail - Rear	Subs to Part# 2455
2460	Base Rail Right or Left	
4012	Adjustable Base Leg	
5205	Reservoir Front	
6029	Ash Catch	
6140	Fr Element Heat Sheild	
6142	L Fr. Element Heat Shield	
6144	Rear Element Heat Shield	
6157	Burner Control Knob	
6159	Bake/Broil Knob	
6160	Pan Sensor Knob	
6170	Indicator Light - Orange	Subs to Part# 6171
6176	Ash Door Hinge	
6177	Ash Door Catch	
6183	6" Ultra Temp Solid Element	
6184	7" Ultra Temp Solid Element	
6185	9" Ultra Temp/Pan Sensor Solid element	
6197	2 Speed Blower Control Switch	
6198	Range Light Switch	
6202	Oven Light Bulb - 40W	
6210	Power cord-220v cd	4 Prong Plug
6211	Power cord -220v us - flat	3 Prong Plug
6212	Snap-in Push Switch	
6216	Thermo disk	Subs to Part# 6217 Use S33152
6221	Circuit Breaker - 15AMP	
6222	Circuit Breaker -20AMP	Canadian Models Only
6244	Griddle Strap/Element Bracket	
6245	Griddle Element	
6273	Control Cover Plate	
6308	Stove Top	
6312	Front Band	
6345	Pan Sensor Element Control	
6346	Solid Element/Griddle Switch	Subs to Part# 6246
6347	Oven/Broiler Control	
6352	Oven Door Hinge Gasket	
6455	Broiler Pan & Cover	
6522	Exhaust Deflector	

PAGE ID	MODEL 6100 (DISCONTINUED)	
PART# / ITEM #	DESCRIPTION	
6536	Cabinet Wrap Weldment	
6640	Electric Contol Panel	
6676	Exhaust Filter	
6677	Exhaust Adapter Boot to 3 1/4 x 10	
6679	Exhaust Blower	
6731	Instructional Manual	
8200	Light Socket & Housing	Part Of 8202 Assembly
8202	Oven Light Assembly w/light bulb	
8204	Oven Lens	Part Of 8202 Assembly
9009	Convection fan unit 58mm shaft	Assembly
9011	Convection Fan Blade	Part Of 9009 Assembly
9012	Convection Fan Nut	Part Of 9009 Assembly
9019	Convection Fan Filter w/clips	
9106	Utility Drawer Frame	
9129	Oven Door Gasket with Clips	Subs to Part# 9144
9139	Oven Door Frame Weldment	
9140	Lower Oven Door Gasket	
9156	Oven Door Hinges L & R	
9236	Electronic Timer	Subs to Part# 9235
9239	Buried Oven Element	Subs to Part# 9239B
9239	Broiler Element	Subs to Part# 60307
9449	Oven Rack Support(4 position)	Subs to Part# R9449
9452	Oven Rack	
1120-#	Outer Oven Door Panel	Subs To 11201-# - Refer To Colour Legend For Colour Options
1302-#	Fire Door Panel	Subs To 13021-# - Refer To Colour Legend For Colour Options
1521-#	Splashback	Subs To 15121-# - Refer To Colour Legend For Colour Options
1545-#	Cresting Panel	Subs To 15451-# - Refer To Colour Legend For Colour Options
1607-#	Front Cabinet Door Panel	Subs To 69211-# Assembly - Refer To Colour Legend For Colour Options
1660-#	Reservoir Insert Panel	Subs To 16601-# - Refer To Colour Legend For Colour Options
6059-#	Reservoir front	Refer To Colour Legend For Colour Options
6103-#	Firedoor Assembly	Refer To Colour Legend For Colour Options
6914-#	Accessory Drawer Assembly	Refer To Colour Legend For Colour Options
9105-#	Drawer - Front Panel	Subs To 91051-# - Refer To Colour Legend For Colour Options
9915-#	Complete oven door	Refer To Colour Legend For Colour Options
H-205	Nut-M16 Mounting Nut-zinc	
H-306	Ash Door Hinge Pin	
H-307	Hinge Pin Cap	
H-427	Washer-.94 o.d. - Control Gasket D Shaped	
H-666	Easy Glide Castor 1" Diameter Assembly	Subs to Part# H-695
6223	Closet Bracket Gasket-Left	
6226	Closet Bracket Gasket-Right	
Code	COLOUR LEGEND	
-1	ALMOND	
-2	WHITE	
-3	RED	
-4	GREEN	
-5	BLUE	
-6	BLACK	
-7	JADE - DISCONTINUED	
-9	YELLOW - DISCONTINUED	
-S	STAINLESS STEEL	