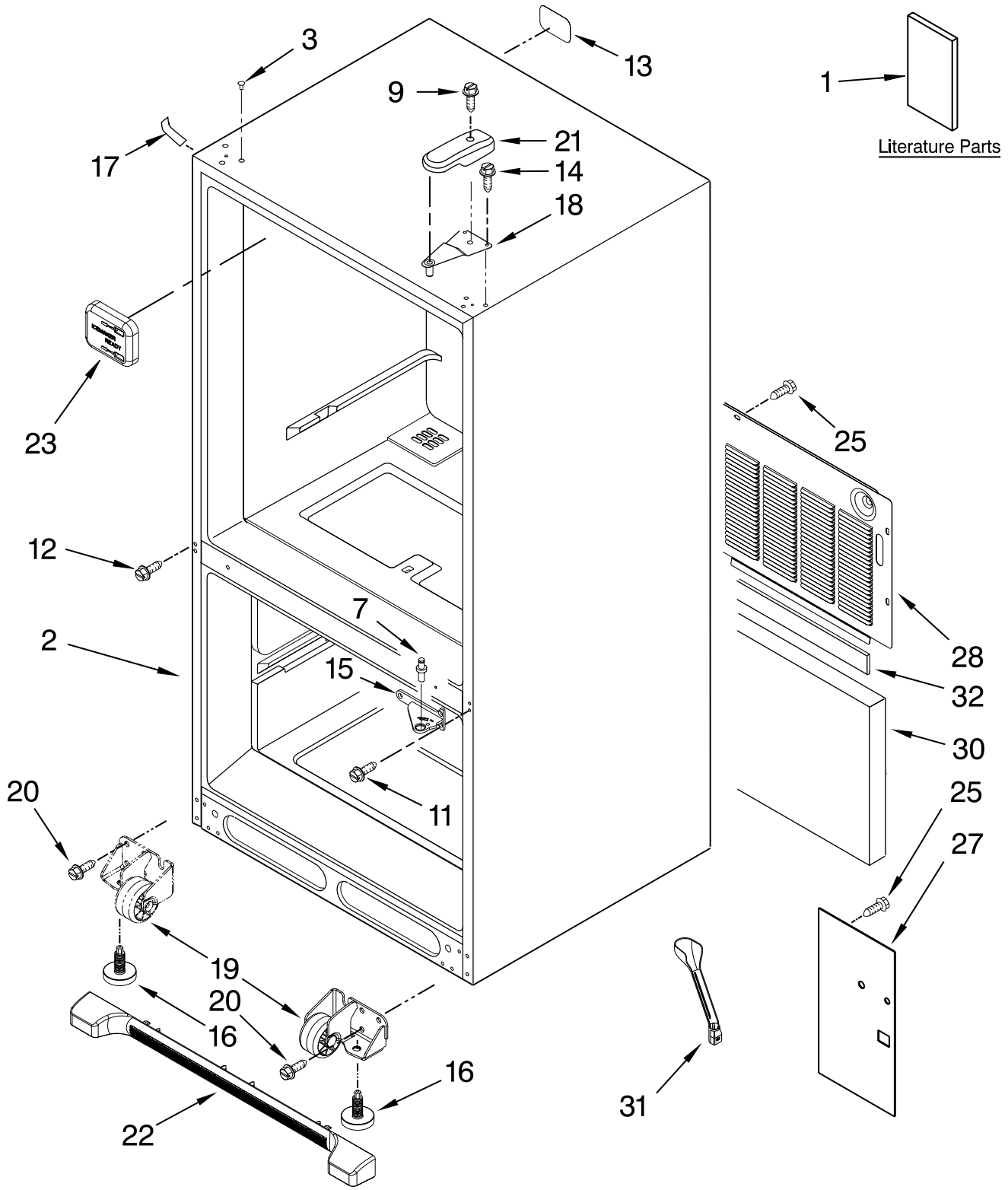


HEARTLAND MODEL: 3015

REFRIGERATOR

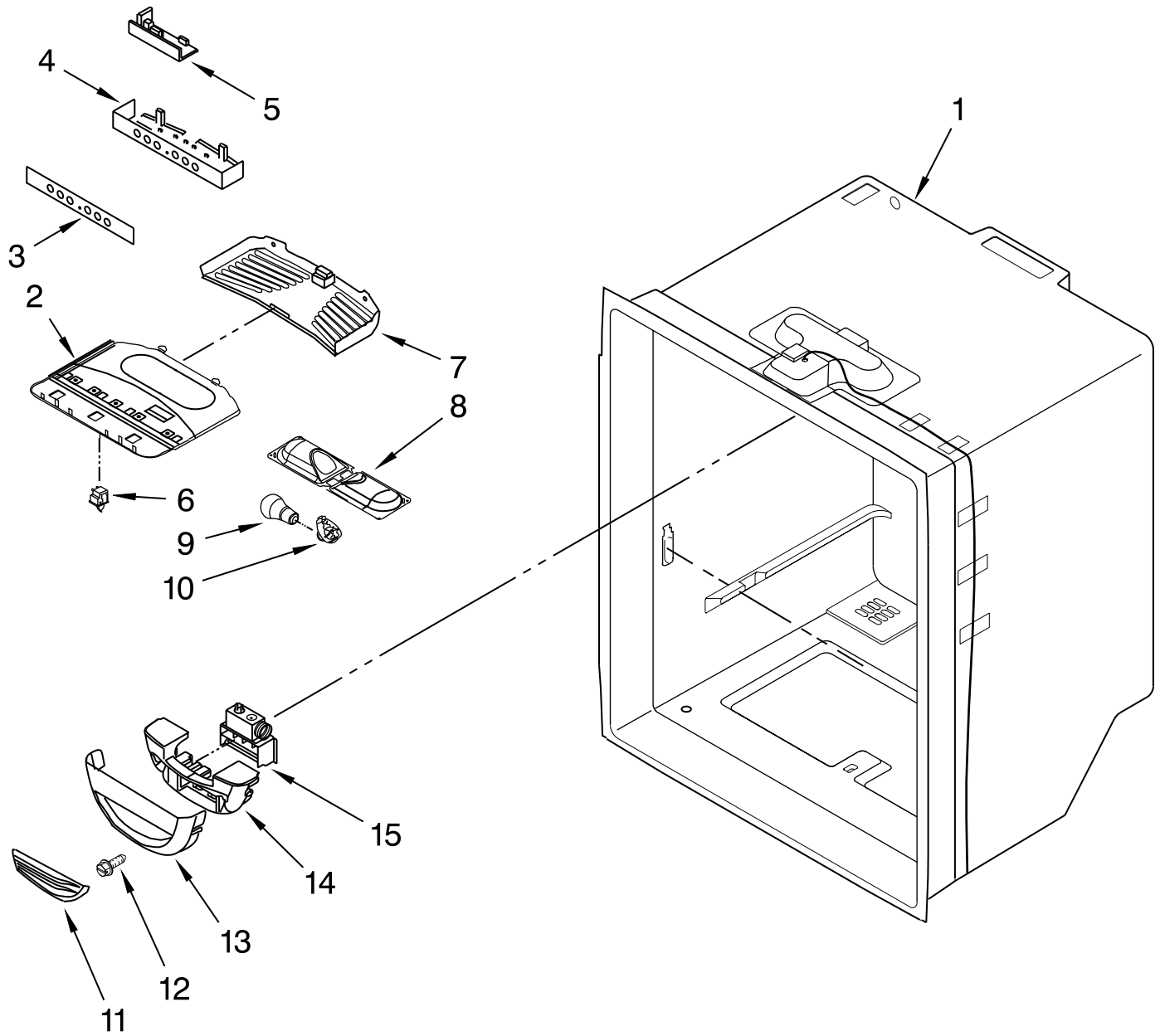


FOR ORDERING INFORMATION REFER TO PARTS PRICE LIST

CABINET PARTS

Illus. No.	Part No.	DESCRIPTION
1		Literature Parts
	W10366210	Use & Care Guide
	W10183307	Energy Guide
	W10476805	Tech Sheet
2		Cabinet (Not A Serviceable Part)
3		Plug, Button
	12246607	White
	12246608	Black
7	10351006	Pin, Center Hinge
9	12992602	Screw
11	W10339086	Screw
12	12990521	Screw
13	12249902	Label, Fill Tube
14	12992403	Screw
15		Hinge, Center
	12607103WD	White
	12607104ED	Black
16	W10141622	Foot Brake (2)
17		Cover, Corner
	12587703W	White
	12587703B	Black
18	12566606ED	Hinge, Top
19		Roller Assembly
	W10275850	Left
	W10275849	Right
20	12990521	Screw
21		Cover, Hinge
	12477601W	White
	12477601B	Black
22		Grille Assembly (Includes Clips)
	W10236649	White
	W10236650	Black
23	12477501	Cover, Fill Tube
25	12990511	Screw
27	W10217701	Cover, Water Valve
28	W10210978	Cover, Unit
30	12820505	Insulation, Sound
31	W10210987	Tube, Drain
32	B5759655	Gasket

REFRIGERATOR LINER PARTS



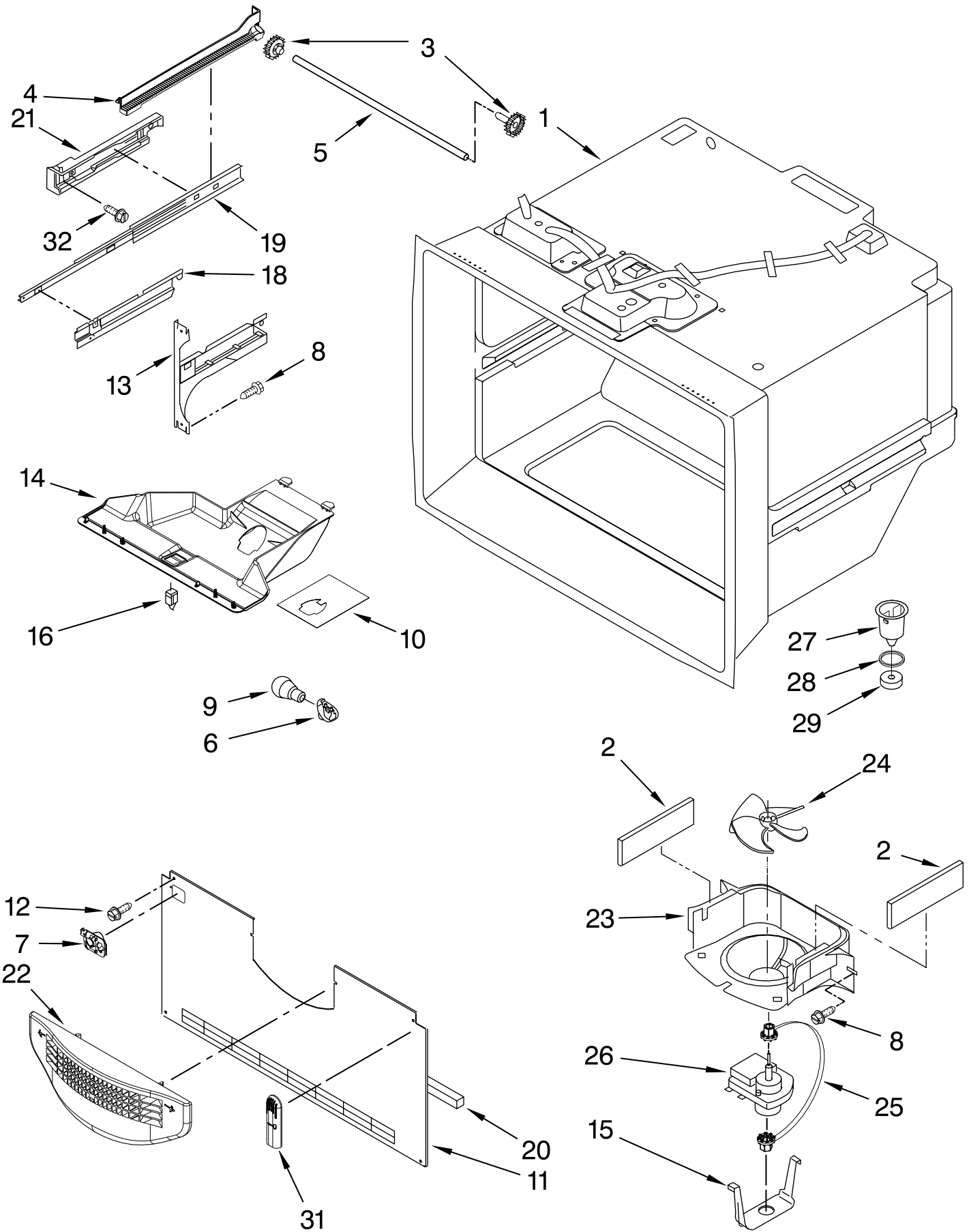
REFRIGERATOR LINER PARTS

Illus. No.	Part No.	DESCRIPTION
1		Liner (Not A Serviceable Part)
2	W10464757	Bracket, Control and Lights
3	W10207257	Overlay
4	W10464769	Module, Control
5	12784415V	Board, Control
6	C3680310	Switch, Light
7	12806501	Cover, Light
8	W10443023	Housing, Light
9	W10311505N	Bulb, Light (2)
10	12570701V	Socket, Light (2)
11	12806801	Insert, Damper Cover
12	12990604	Screw (2)
13	12806701	Cover, Damper
14	13012402	Insulation
15	W10196393	Control, Damper (Includes Harness)

Following Parts Not Illustrated

12868701 Harness, Controls (Refrigerator) (Includes Thermistor)

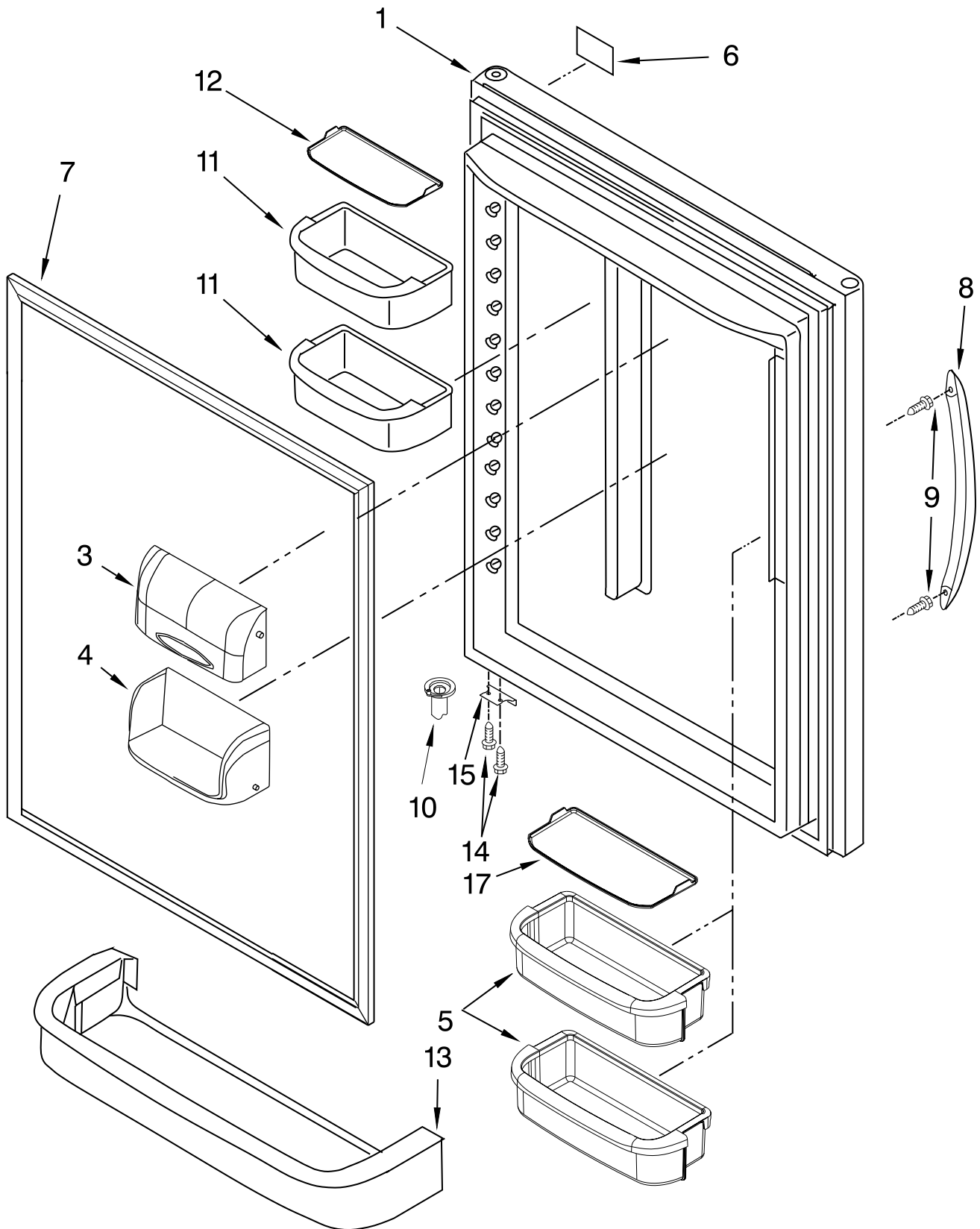
FREEZER LINER PARTS



FREEZER LINER PARTS

Illus. No.	Part No.	DESCRIPTION
1		Liner (Not A Seviceable Part)
2	A3189392	Gasket, Foam
3	12002497	Gear (2) (Includes RT & LT)
4		Rack, Side
	W10284694	Left
	W10284695	Right
5	12812901WD	Shaft
6	12570701V	Socket, Light
7	12932103	Guide, Fill Tube
8	12990521	Screw
9	W10311527	Bulb, Light
10	W10277466	Foil, Housing
11	W10308414	Cover, Evaporator
12	12990511	Screw (7)
13		Bracket, Door
	W10330994	Left
	W10330995	Right
14	W10277025	Module, Light
15	13058002	Clip, Evap. Motor
16	12466105	Switch, Light
18		Cradle, Basket
	W10280608	Left
	W10280613	Right
19	W10488000	Slide, Drawer
20	A3189394	Gasket, Bottom
21		Adapter, Slide
	W10284684	Left
	W10284685	Right
22	13024803	Grille, Fz Air
23	13057901	Shroud, Evap.Fan
24	2169142	Blade, Fan (Evaporator)
25	W10121318	Grommet
26	W10128551	Motor, Evaporator
27	D7753903	Funnel, Drain
28	M0500703	Seal
29	B8381501	Gasket
31	12815301	Cover, Thermistor
32	12990501	Screw (6)

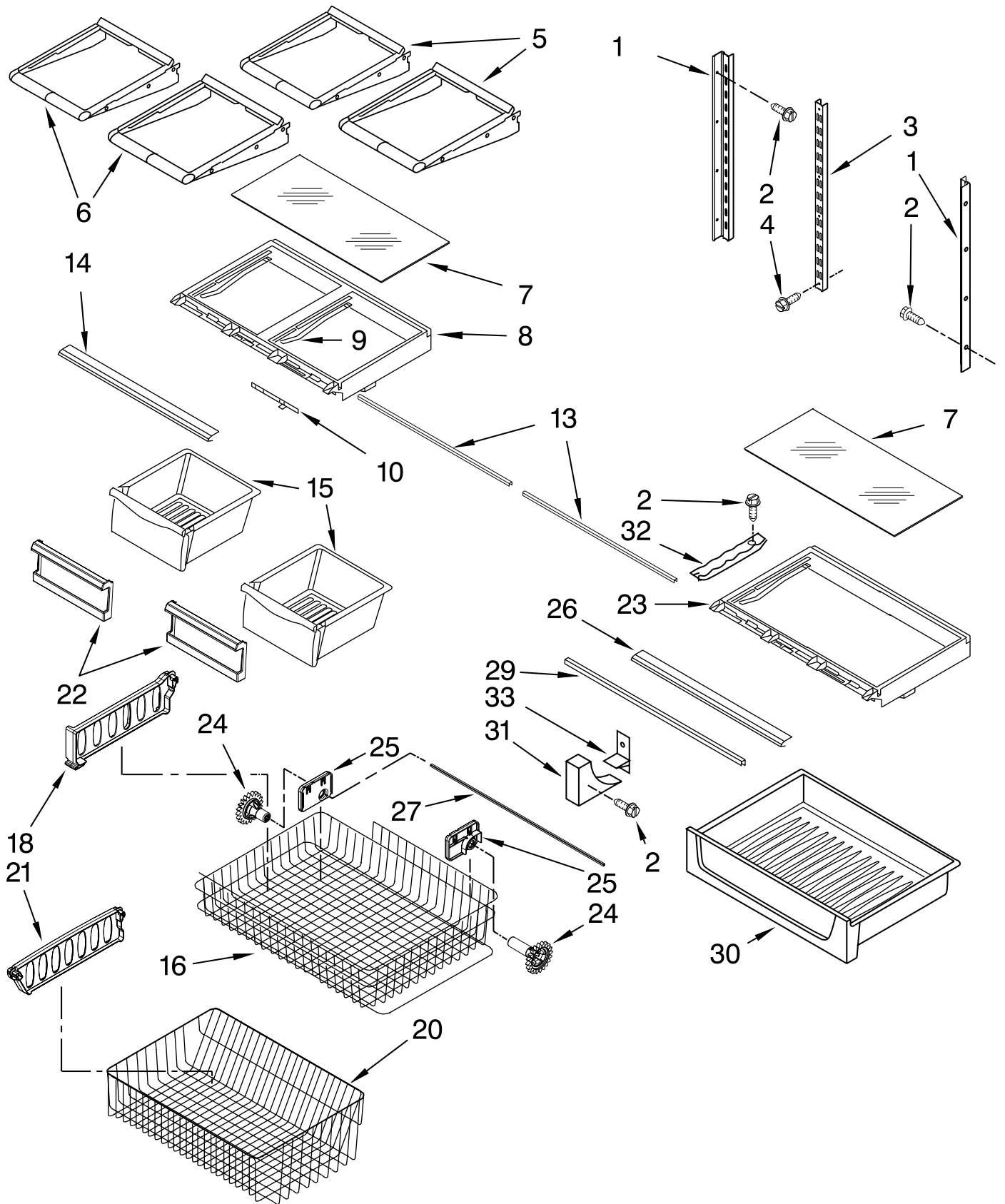
REFRIGERATOR DOOR PARTS



REFRIGERATOR DOOR PARTS

Illus.	Part	
No.	No.	DESCRIPTION
1		Door, Refrigerator
	13109402W	White
	13109402B	Black
3	12804701SP	Door, Dairy (Includes #4)
4	12369502SP	Tray, Dairy
5	W10371194	Bucket, Medium
6		Nameplate
	W10243393	White
	W10243392	Black
7		Gasket, Door
	W10443309	White
	W10436245	Black
8		Handle, Door
	W10314515N	White
	W10314516N	Black
9	W10303465	Screw, Handle
10		Closure, Door
	12028505W	White
	12028505B	Black
11	W10351081	Bucket, Shelf (1) (Small)
12	W10450001	Gripper, Small
13	12557904	Retainer, Door
14	12990504	Screw
15		Stop, Door
	10447111	White
	10447112	Black
17	W10450021	Gripper, Medium

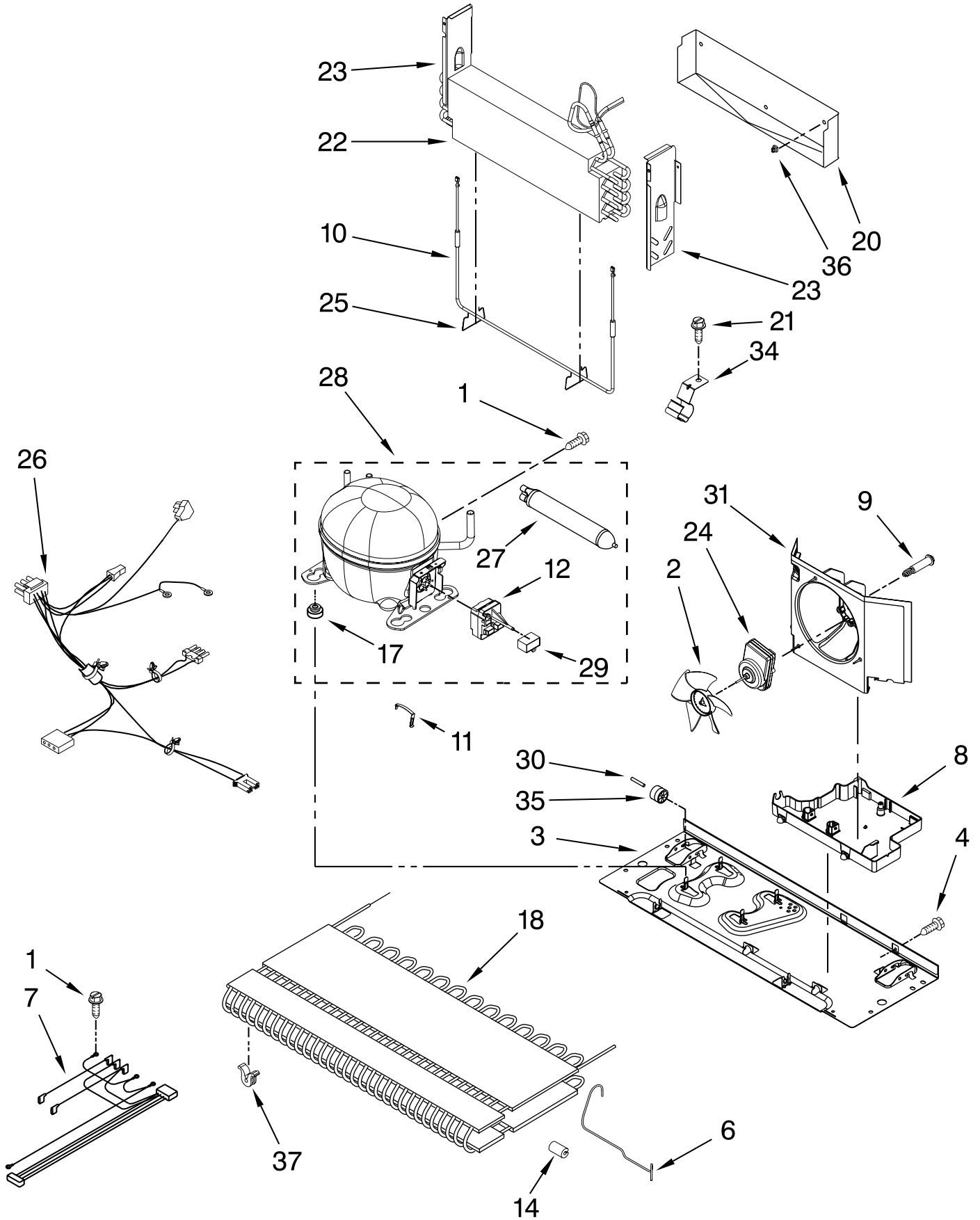
SHELF PARTS



SHELF PARTS

Illus. No.	Part No.	DESCRIPTION
1	W10251970	Ladder, Side
2	12990513	Screw
3	W10273463	Ladder, Center
4	W10215666	Screw (2)
5	12463608	Shelf, Stationary
6	12463408	Shelf, Glide
7	12204823N	Glass, Crisper
8	12530901SP	Frame, Crisper
9	12530701N	Support, Center Crisper Drawer
10	12530805SP	Slide, Humidity Control
13	12227302WD	Support, Crisper Frame
14	W10231481	Trim, Crisper
15	12531305	Pan, Crisper (2)
16	W10348236	Basket, Freezer Upper
18	W10241046	Divider, Upper Basket
20	W10146449	Basket, Freezer (Lower)
21	W10146440	Divider, Lower Basket
22	12643602	Front, Pan
23	12530901SP	Frame, Pantry
24		Gear, Spur
	W10474715	Left
	W10474716	Right
25		Mount
	W10348259	Left
	W10348260	Right
26	W10231491	Trim, Pantry
27	12812906WD	Shaft, Rack
29	12227302WD	Support, Rear
30	W10328331	Drawer, Pantry
31		Support, Pantry
	12531001	Left
	12531002	Right
32	12531901	Track, Pantry
33	12531802	Hook, Ladder (2)

UNIT PARTS



UNIT PARTS

Illus. No.	Part No.	DESCRIPTION
1	12992301	Screw
2	12825803	Blade, Fan
3	W10480107	Basepan
4	12990511	Screw
6	W10294014	Tube, Discharge
7	W10292244	Harness, Evap Heater
8	W10296784	Pan, Drain
9	W10216919	Screw, Shoulder
10	12729127	Evaporator Heater
11	W10216075	Strap, Bale
12		Start Protect, Combo
	W10330834	Service
14	2319835	Grommet, Condenser
17	10835903SP	Grommet (4)
18	W10346423	Condenser Extension
20	W10292801	Tray, Drip
21	12990701	Screw

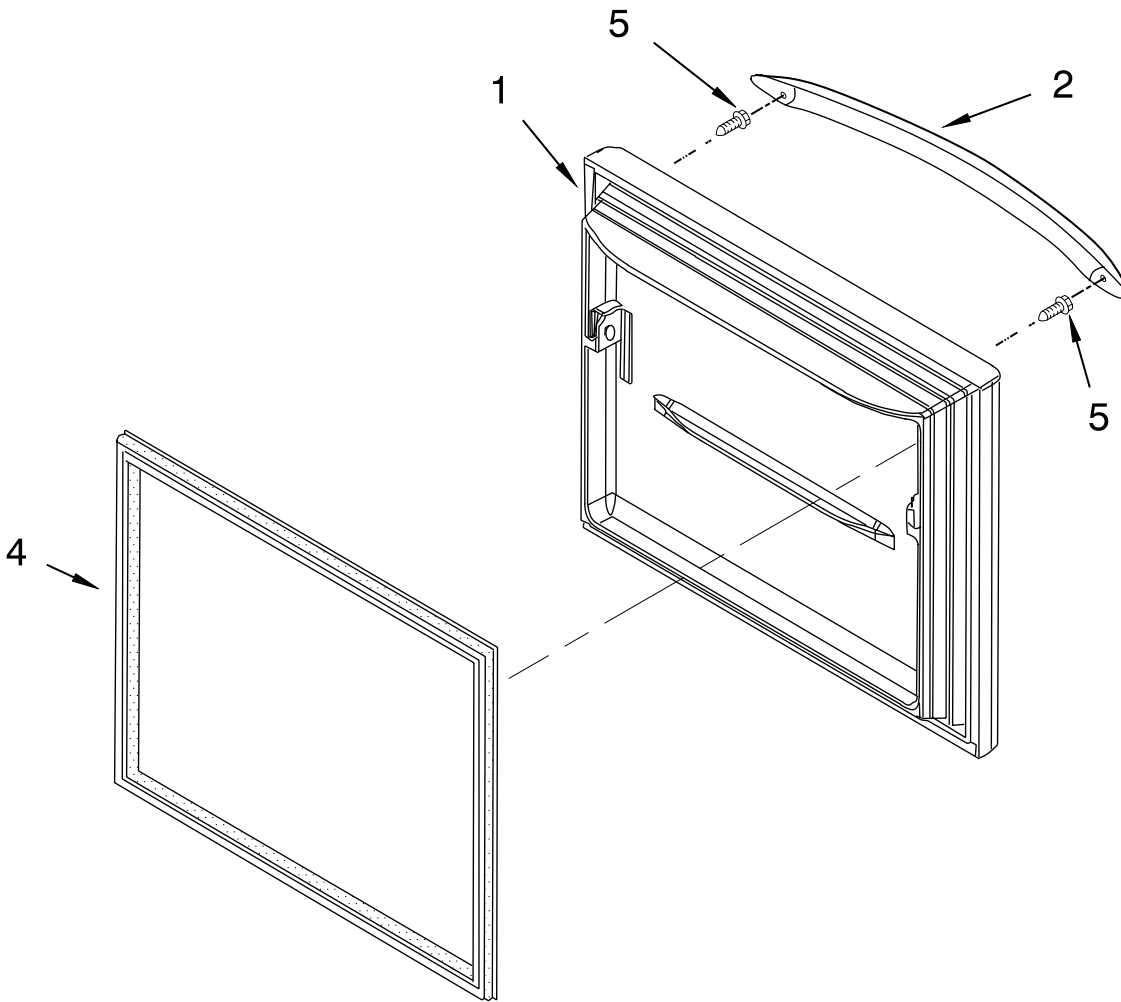
Illus. No.	Part No.	DESCRIPTION
22	W10317012	Evaporator
23		Dam
	12225702	Right Side
	12225602	Left Side
24	W10239053	Motor, Fan
25	10428101	Clip, Heater
26	W10234024	Harness, Unit
27	W10143759	Drier
28	W10445422	Compressor Kit (Contains Items 12, 17, 27, & 29)
29	2264017	Capacitor
30	12477202	Axle, Roller
31	W10189184	Shroud
34	W10281329	Clip, Drier
35	12477102	Roller (2)
36	10623002	Clip, Evap (2)
37	W10137529	Grommet (4)

Illus. No.	Part No.	DESCRIPTION
Following Parts Not Illustrated and Optional Parts Not Included		
	978025	Valve, Access (1/4")
	978026	Valve, Access (5/16")
	978027	Valve, Access (3/8")
	978028	Valve, Access (1/2")
	978029	Valve, Access (5/8")
	978030	Valve, Access (3/4")
	876764	Valve, Access (3/16")

REFRIGERANT CHARGE

4.25 Ozs.
(R-134A)

FREEZER DOOR PARTS



Illus. No.	Part No.	DESCRIPTION
1	13109220W	Door, Freezer White
	13109220B	Black
2	W10314515N	Handle, Door White
	W10314516N	Black
4	W10443311	Gasket, Door White
	W10436247	Black
5	W10303465	Screw

OPTIONAL PARTS (NOT INCLUDED)

Illus. No.	Part No.	DESCRIPTION
------------	----------	-------------

**ICE MAKER
FIELD INSTALLABLE**

W10261234 IC13B

PAINT, TOUCH-UP (1/2oz.)

72017 White
72032 Black
4392901 Biscuit

**PAINT, PRESSURIZED SPRAY
(12 oz.)**

*350942 Primer, White
*350930 White
*350939 Black
*4392901 Biscuit

* **Important:** The spray paint is not to be used where the paint may make contact with the door gaskets.

Illus. No.	Part No.	DESCRIPTION
------------	----------	-------------

PAINT, BULK (1 qt.)

799344 White (Uncut)
799344 Black (Uncut)
4392900 Biscuit (Uncut)

Miscellaneous

212643 Sealer, Gum (4 Feet)
479502 Tape, Vinyl (3/4 x 108")
505587 Sealer, Mastic (1 Qt.)
503695 Cork, Sealer (1/4 Pound)
542638 Grease, Silicone (1/2 Oz.)
542639 Cement, Alumilastic (1-1/4 Oz.)
799833 Kit, Evaporator Repair (Aluminum Epoxy)
833938 Kit, Terminal Connector

Illus. No.	Part No.	DESCRIPTION
------------	----------	-------------

TORX SCREW WRENCH

1117510 Torx Key

ACCESSORIES

2217192 Cleaner, Stainless Steel