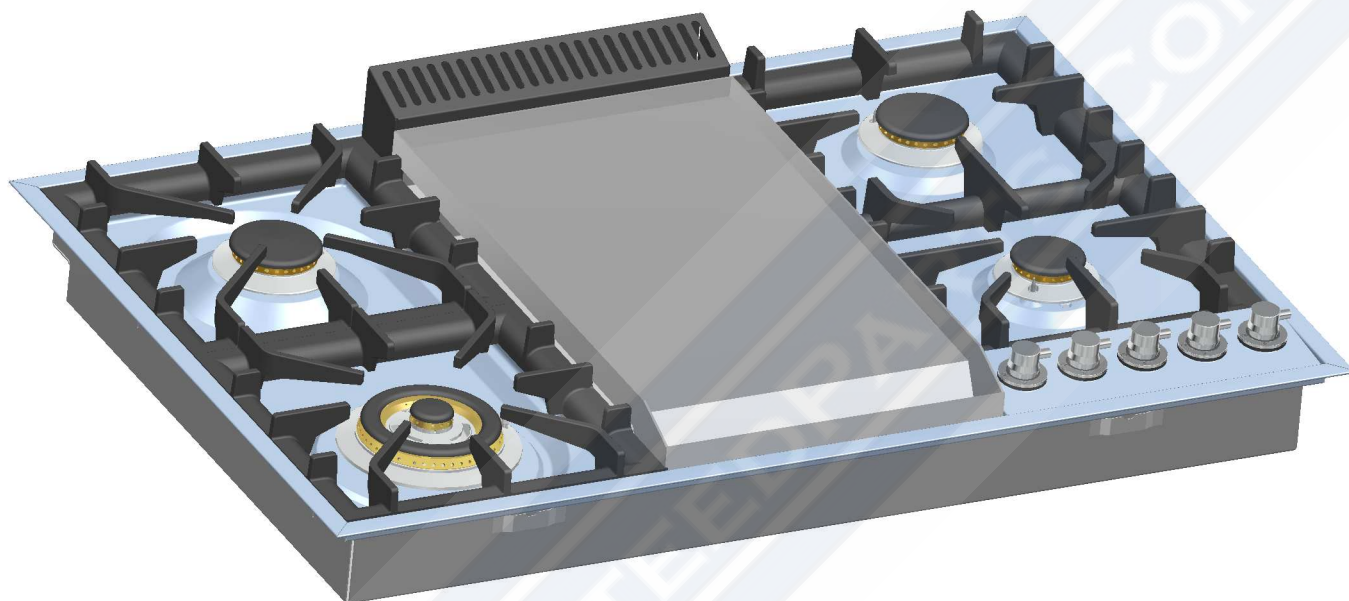


**ILVE S.p.a.**

UXLP90F

UXLP90F

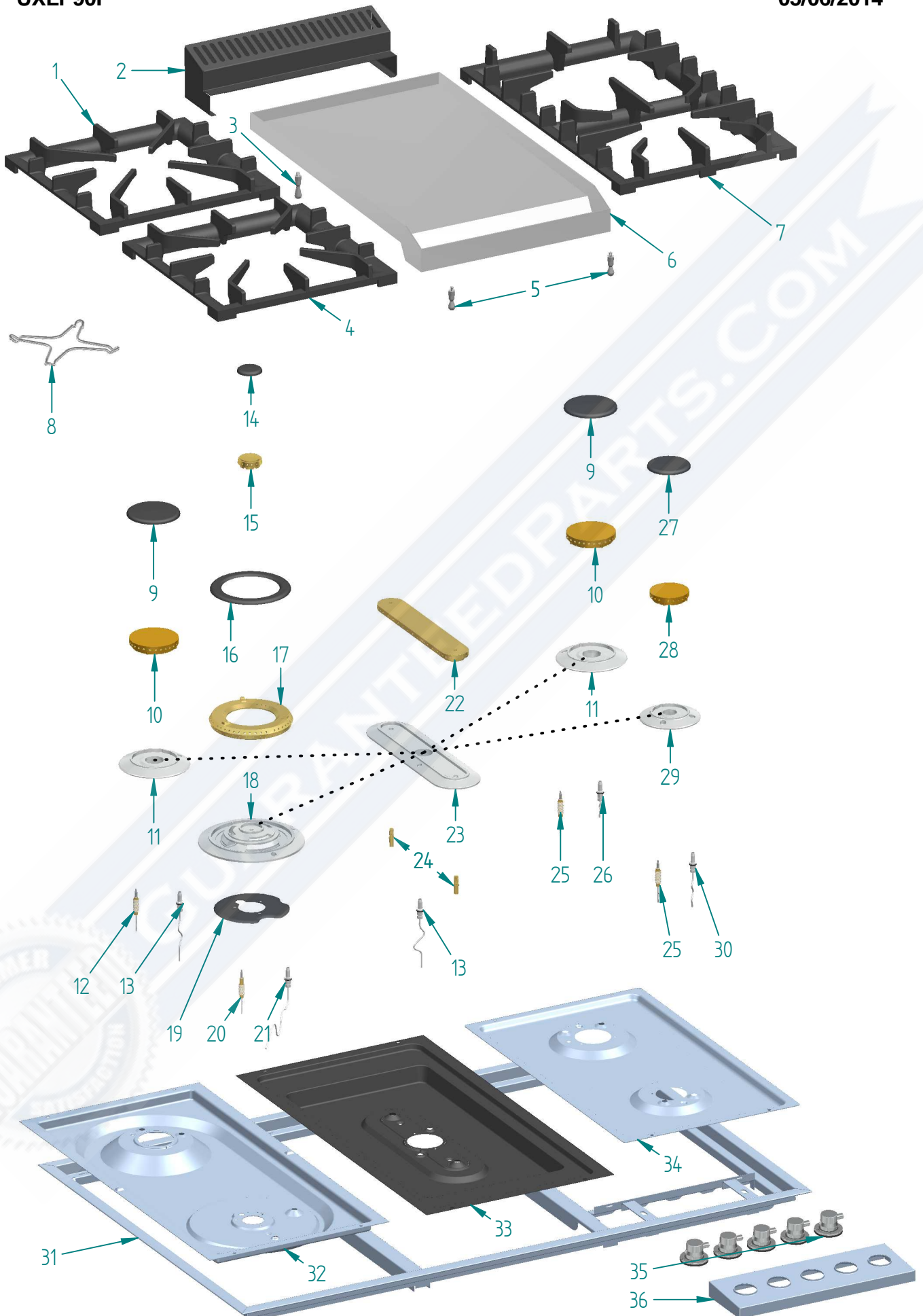
05/06/2014



 **ILVE**  
*the art of cooking*

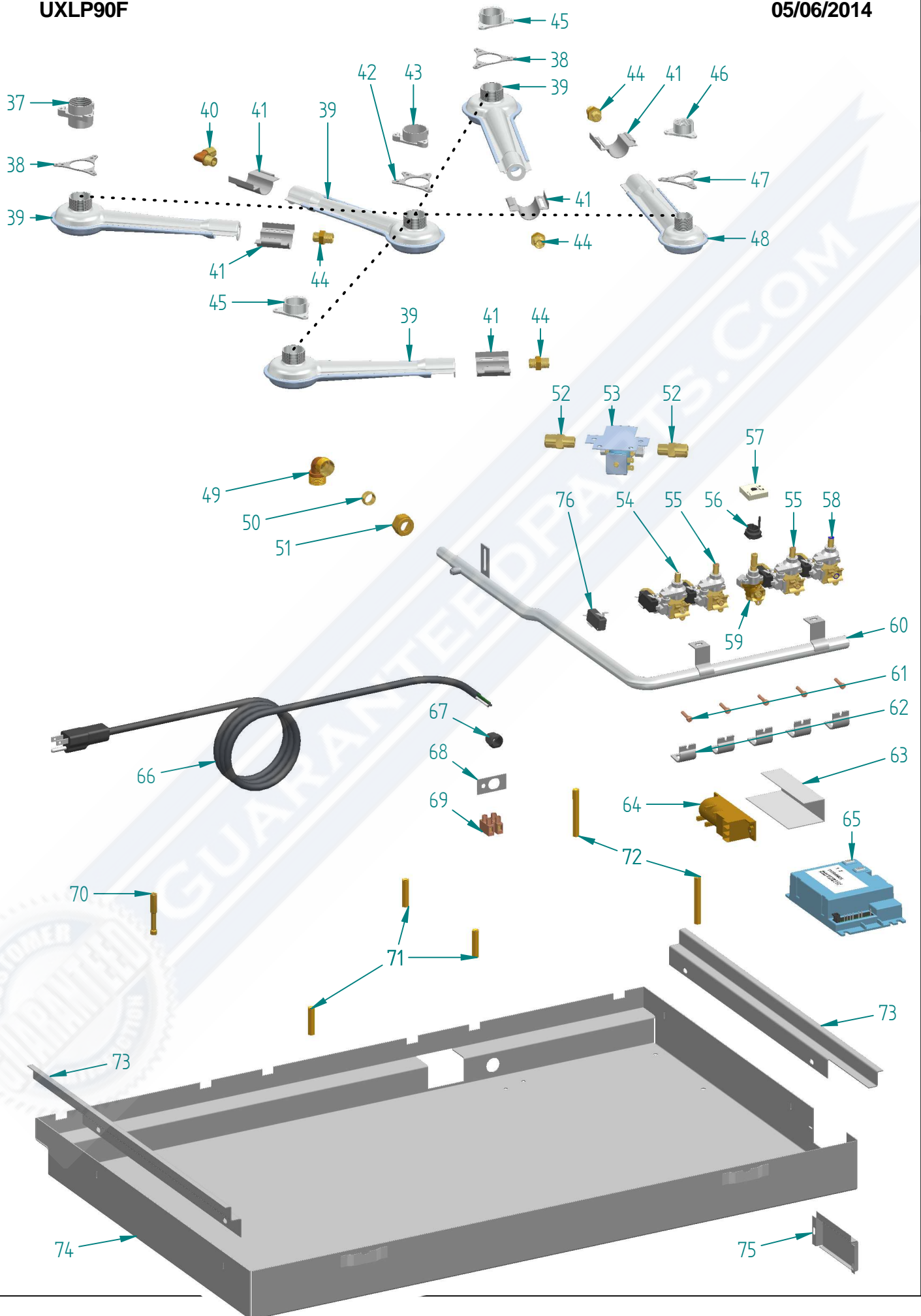


**MADE IN ITALY**



<i>dis.</i>	<i>cod.</i>	<i>descrizione</i>	<i>description</i>
1	A/092/78/10	GRIGLIA PROFESS 60 FORO 80 285X280 VETR	PROFESSIONAL GRILL HOB/COOK. 60 CM (1 HOLE 80 MM)
2	S/008/33/14	CAMINETTO FRY TOP PROFESS SMALT	FRY TOP CHIMNEY
3	A/414/06	PERNO LUNGO INN PIA(INC/COMB)+FRY T	LONG COOKTOP PIN
4	A/092/80/10	GRIGLIA PROFESS 60 FORO 120 285X280VETR	PROFESSIONAL GRILL HOB/COOK. 60 CM (1 HOLE 120 MM)
5	A/414/04	PERNO CORTO INN PIA (APP)+FRY TOP	SHORT COOKTOP PIN
6	A/419/01	PIASTRA FRY TOP PROFESSIONAL	FRY TOP PLATE
7	A/092/01/10	GRIGLIA PROFESS HP95-HP65SX VETR	GRID FOR P95-P65SX HOB
8	A/092/52	RIDUZIONE FUOCHI FILO CROMATO	RING ADAPTER GRILL
9	A/048/02/10	COPRISPART GRANDE (S2) RAF MAT 3F	LARGE FLAME DIFFUSER COVER
10	A/478/12/90	SPARTIFIAMMA GRANDE	NEW LARGE FLAME DIFFUSER
11	A/488/11/91	TAZZINA P C GRANDE (2 FORI)	HOB COOKER LARGE CUP+IGN+S.V. HOLES
12	A/490/15	TERMOCOPPIA BIFIL 95CM M8X1	THERMOCOUPLE 95 CM FOR DOUBLE RING
13	A/018/06	CANDELA ACC.(CAVO=MM800 H=MM28)	IGNITION PLUG MM 800
14	A/048/07/10	COPRISPART TC AUX RAF MAT 3F	TRIPLE RING BURNER SMALL COVER
15	A/478/17	SPARTIFIAMMA TC AUSILIARIO +INDEX	TR RING SMALL FLAME DIVIDER (INDEX)
16	A/048/09/10	COPRISPART TC GR 1V/DUAL RAF MAT 3F	TRIPLE RING FLAME DIVIDER COVER
17	A/478/21	SPARTIFIAMMA TC GRANDE 1 V/DUAL +P	DUAL TRIPLE RING BIG FLAME DIVIDER WITH SUPPORTS
18	A/488/23	TAZZINA TC (2 FORI)	TRIPLER RING CUP+IGN+S.V. HOLES
19	S/091/28	DISCO PROTEZIONE TC CUC DUAL/XLP90	ENAMELED RING
20	A/490/20	TERMOCOPPIA BIFIL TC 95CM M8X1	THERMOCOUPLE 45
21	A/018/00	CANDELA ACC.(CAVO=MM1200 H=MM28)	IGNITION PLUG MM 1200
22	A/478/22	SPARTIF PESC FUOCHI COPERTI CSA	FISH BURNER BRASS FLAME DIFFUSER
23	A/488/11	TAZZINA PESCERA (1 FORO)	FISH BURNER CUP+IGN HOLE
24	A/602/42	VITE PESCERA 8X26XM6 OTTONE	RETAINING SCREW FOR FISH BURNER
25	A/490/03	TERMOCOPPIA BIFIL 45CM M8X1	THERMOCOUPLE 45
26	A/018/02	CANDELA ACC.(CAVO=MM400 H=MM28)	IGNITION PLUG MM 400
27	A/048/06/10	COPRISPART PICCOLO (S1) RAF MAT 3F	SMALL FLAME DIFFUSER COVER
28	A/478/12/92	SPARTIFIAMMA PICCOLO	NEW SMALL FLAME DIFFUSER
29	A/488/11/93	TAZZINA P C PICCOLA (2 FORI)	HOB COOKER SMALL CUP+IGN+S.V. HOLES
30	A/018/04	CANDELA ACC.(CAVO=MM600 H=MM28)	IGNITION PLUG MM 600
31	S/049/38/08	CORNICE PIANO XLP90F INOX	CORNICE FOR XLP90F / ST.ST.
32	S/216/36/08	RACCOGLIG UXLP90F 1F+TC INOX	DRIP CATCHER 1F+TR UXLP90F/ STST
33	S/216/35/14	RACCOGLIG UXLP90F FRY TOP NERO	DRIP CATCHER FRY TOP FOR UXLP90F
34	S/216/37/08	RACCOGLIG UXLP90F 2F INOX	DRIP CATCHER 2F FOR UXLP90F / STST
35	G/348/06/08	MANOPOLA GAS HP95 NERO INOX ML	GAS KNOB FOR HP95 / SH ST ST
36	S/061/11/08	CRUSCOTTINO INCL XLP90 INOX	CONTROL BOARD FOR XLP90 / ST ST

%{Titolo



<i>dis.</i>	<i>cod.</i>	<i>descrizione</i>	<i>description</i>
37	A/082/33	GHIERA AL 28X29 R PIANO XL PROFESS	XLP90 BURNER RING
38	S/001/00	ADATTATORE GHIERA GRANDE PIANI USA	BURNER ADAPTOR
39	A/014/21	BRUCIATORE SOGLIOLA GRANDE ALLUMINATO	BIG BURNER
40	A/434/04	PORTAINIETT A GOMITO GRILL/FUOCHI	INJECTOR HOLDER GRILL/COOKTOP
41	S/096/00	FARFALLA REG ARIA BRUC SOGLIOLA	BURNER AIR REG. BUTTERFLY VALVE
42	S/001/02	ADATTATORE GHIERA PESCIERA PIANI USA	BURNER ADAPTOR
43	A/082/34	GHIERA AL 28X12 P PIANO XL PROFESS	XLP90 BURNER RING
44	A/434/05	PORTAINIETT PIANI OT DRITTO DIS.346	INJECTOR HOLDER
45	A/082/30	GHIERA AL 28X12 (GRANDE)	BIG BURNER RING
46	A/082/31	GHIERA AL 22X12 (PICCOLA)	SMALL BURNER RING
47	S/001/01	ADATTATORE GHIERA PICCOLA PIANI USA	BURNER ADAPTOR
48	A/014/20	BRUCIATORE SOGLIOLA PICCOLO ALLUMINATO	SMALL BURNER
49	A/452/04	RACC CURVO PORTAG (SIRAL) 1/2" PO-04 D.14 OT 9360000070	HOSETAIL COUPLING (SIRAL)
50	A/004/04	BICONO 14MM RACCORDO PORTAGOMMA S135 944000016	HOSE NUT
51	A/062/20	DADO 1/2 D.14 RACCORDO PORTAGOMMA A/415/11 935002022	NUT HOSETAIL S.436/4
52	A/452/11	RACCORDO OT ELETTRV FORNO GAS USA	ELECTRIC VALVE CONNECTOR
53	A/499/10	ELETTRVALV 1 USCITA 10V G UL-CSA	VALVE
54	A/466/62	RUB CON MICRO PIANI VALV (45)SR USA	VALVE + S.V.
55	A/466/63	RUB CON MICRO PIANI VALV (55) R USA	VALVE + S.V.
56	A/104/02	ADATTATORE MICRO ROT SABAF 690003300000	
57	A/401/19	MICROINT ACC ROTATIVO RUB SABAF 690000040000	SWITCH
58	A/466/55	RUB CON MICRO PIANI VALV (61)TC	VALVE + S.V.
59	A/466/64	RUB ALLOG MICRO ROT PIANI SEMP (50)FRY TOP USA	VALVE
60	A/453/03	RAMPA PIANO XLP90 5F	RAMP FOR XLP90
61	A/600/38	VITE BR RAMPA TONDA RUB SABAF	SCREW
62	A/012/06	BRIGLIA RUB PIANI RAMPA TONDA D=16	SABAF VALVE CLAMP
63	A/024/12	CARTONCINO ISOL NOMEX TRASF 6FUOCHI	NOMEX INSULATING CARD FOR IGNITION TRANSFORMER 6 BURNE
64	A/494/28	TRASFORMATORE ACC EL 4 FUOCHI UL	4 WAYS IGN TRANSFORMER
65	A/029/00	CENTRALINA CONTR FO GAS 120V 2 USC	GAS OVEN CONTROL UNIT
66	A/050/51	CORD 3X16AWG L=150 SPINA USA-UL 2PUNT. + 1 OCC.	CABLE
67	A/008/02	BLOCCACAVO PICCOLO PIANI 6N3-4	PLASTIC STRIP /COOKTOP
68	S/190/04	PIASTRINA BLOCCACAVO PIANI	COOKTOP CABLE CLAMPING PLAQUE
69	A/404/06	MORSETTIERA PA44	TERMINAL BOARD PA4
70	A/065/16	DISTANZIALE OT PIA/CASS L=53MM TOR	SPACER
71	A/065/11	DISTANZIALE OT PIANO/CASS L=35MM	SPACER
72	A/065/17	DISTANZIALE OT PIANO/CASS L=61MM	SPACER
73	S/151/29	LISTELLO ANCOR CASSETTA XLP90	STRIP
74	S/010/62	CASSETTA PIANO COTT XLP90	XLP90 BED
75	S/031/17	COPRIFORO CASSETTA XLP90	HOLE COVER
76	A/401/12	MICROINT ACC RUB SABAF PIANI VALV	IGNITION SWITCH