

PIEGHE IN GIU'
PIEGHE IN SU'

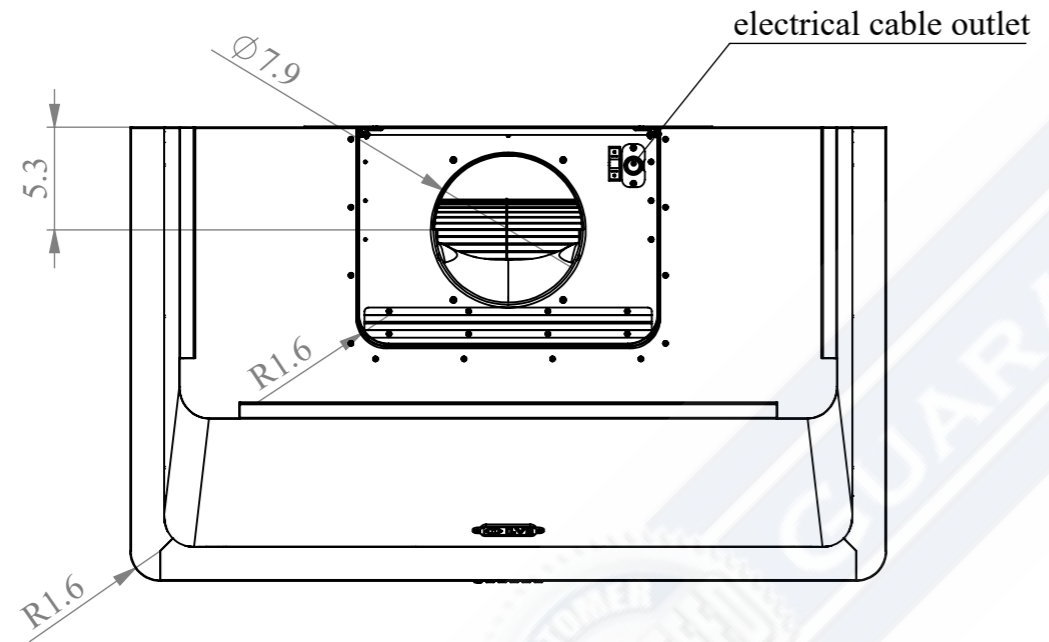
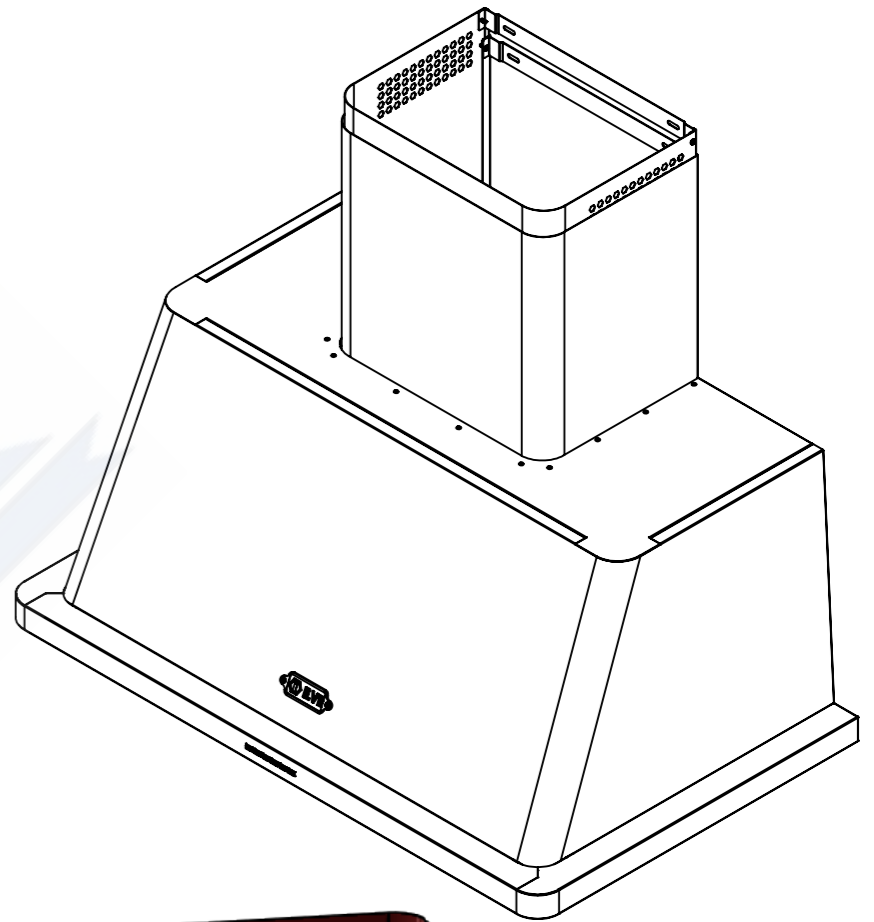
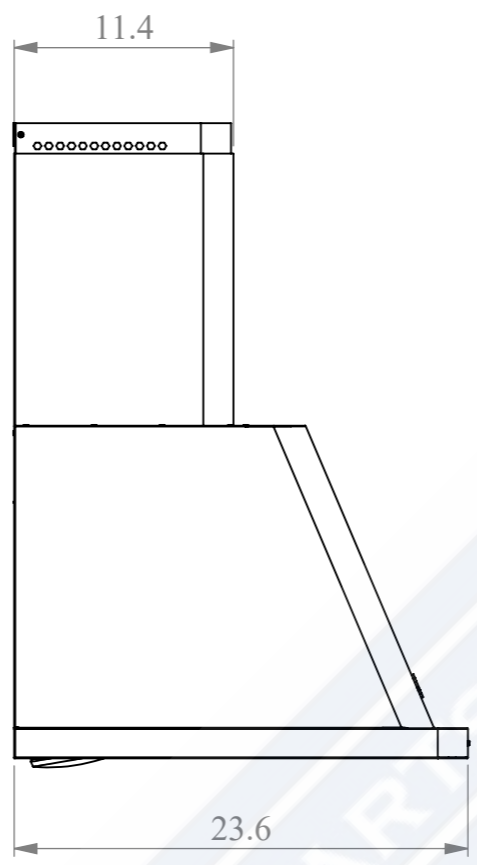
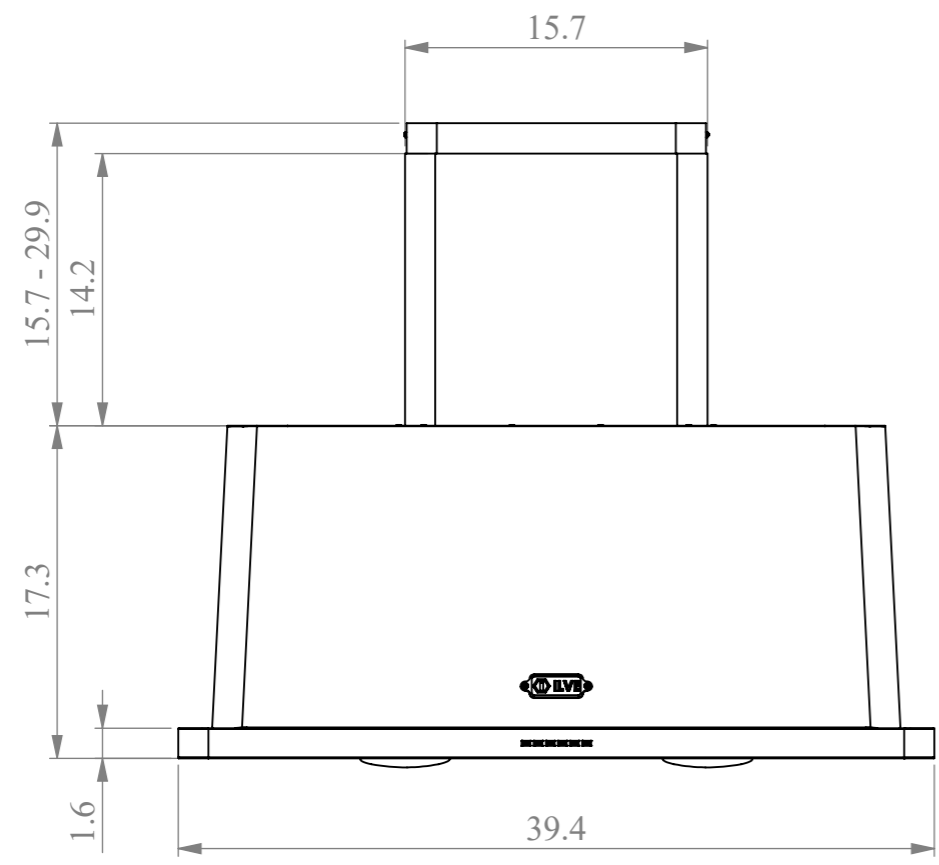
This drawing contains confidential information and is the property of ILVE SPA, without whose permission it may not be copied, shown or handed to a third party or otherwise used, and it is to be returned promptly upon request to the ILVE SPA, which is responsible for the drawing. SUPPLY SPECIFICATIONS / SPECIFICHE DI FORNITURA. Remove all punching burrs after machining or press-forming process. draft angle 2°. fillets not quoted R=2, internal bend radius as thickness. chamfers not quoted: 0.5x45°. For other specifications please contact the technical Department.

0.4	0.2/100
0.4	0.2/100
0.25	0.2/100

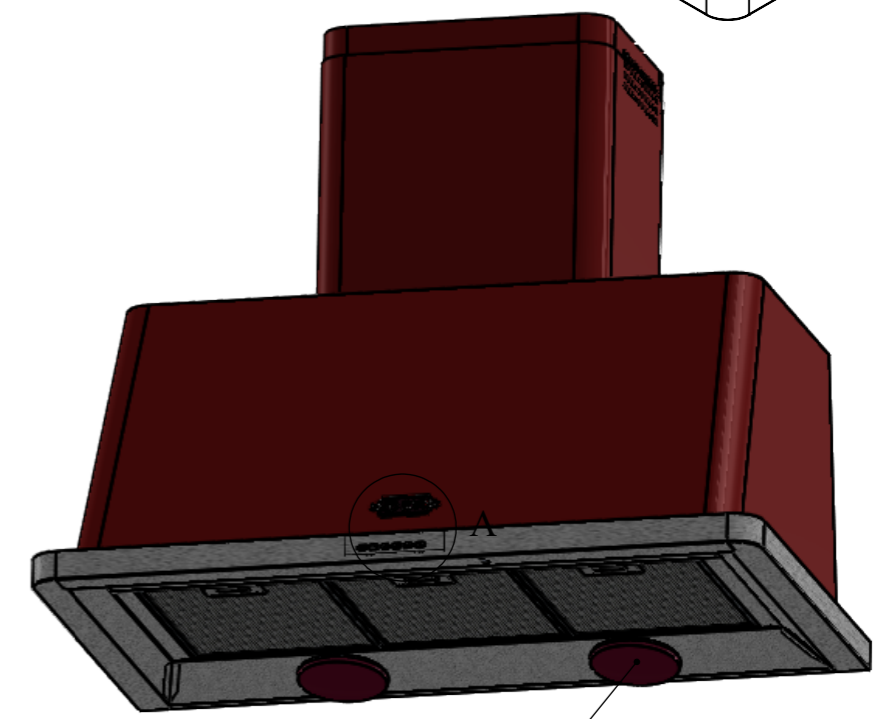
Angles ± 1°
Angoli ± 1°

General tolerance - Tolleranza generale: UNI EN 227 68/1 - C	>	315	1000	2000	4000
Length and diam. Lung. e diametri	0.00	6.00	30.0	120	315
Tolerance Tolleranza	± 0.2	± 0.5	± 0.8	± 1.2	± 2.0
					± 3.0
					± 4.0
					± 5.0

COD	COLOR
MG	MAT GRAPHITE
EG	EMERALD GREEN
BU	BURGUNDY
BK	BLACK
WH	WHITE
AW	ANTIQUE WHITE
MB	MIDNIGHT BLUE
SS	STAINLESS STEEL



DETTAGLIO A
SCALA 1 : 2



infrared lamps 2x175 watts

ILVE	PROGETTO/Project	CLIENTE	SIMMETRICO/Simmetrical code	TIPO/Type	GRUPPO/Group
	USA				
	RIFERIMENTO / Reference	CODICE CLIENTE	MATERIALE/Material	FIRMA/Sign	PESO/Weight (kg)
			GREZZO/Stock size	MO	Orientamento
			<i>mm</i>	SCALA/Scale	DATA/Date
			FINITURA/Finish	1:10	11/06/20
DENOMINAZIONE/Name			DISEGNO NR./Drawing no.		REV/Rev
HOOD MAJESTIC 100 UL 1400			UAM100		00
Il presente disegno è proprietà della ILVE SPA Non può essere copiato o mostrato a terzi senza preventiva autorizzazione scritta. La Società tutelerà a termini di legge. This drawing is property of ILVE SPA an may not be reproduced nor disclosed to third parties without the written consent of ILVE SPA Any abuse will be prosecuted.					

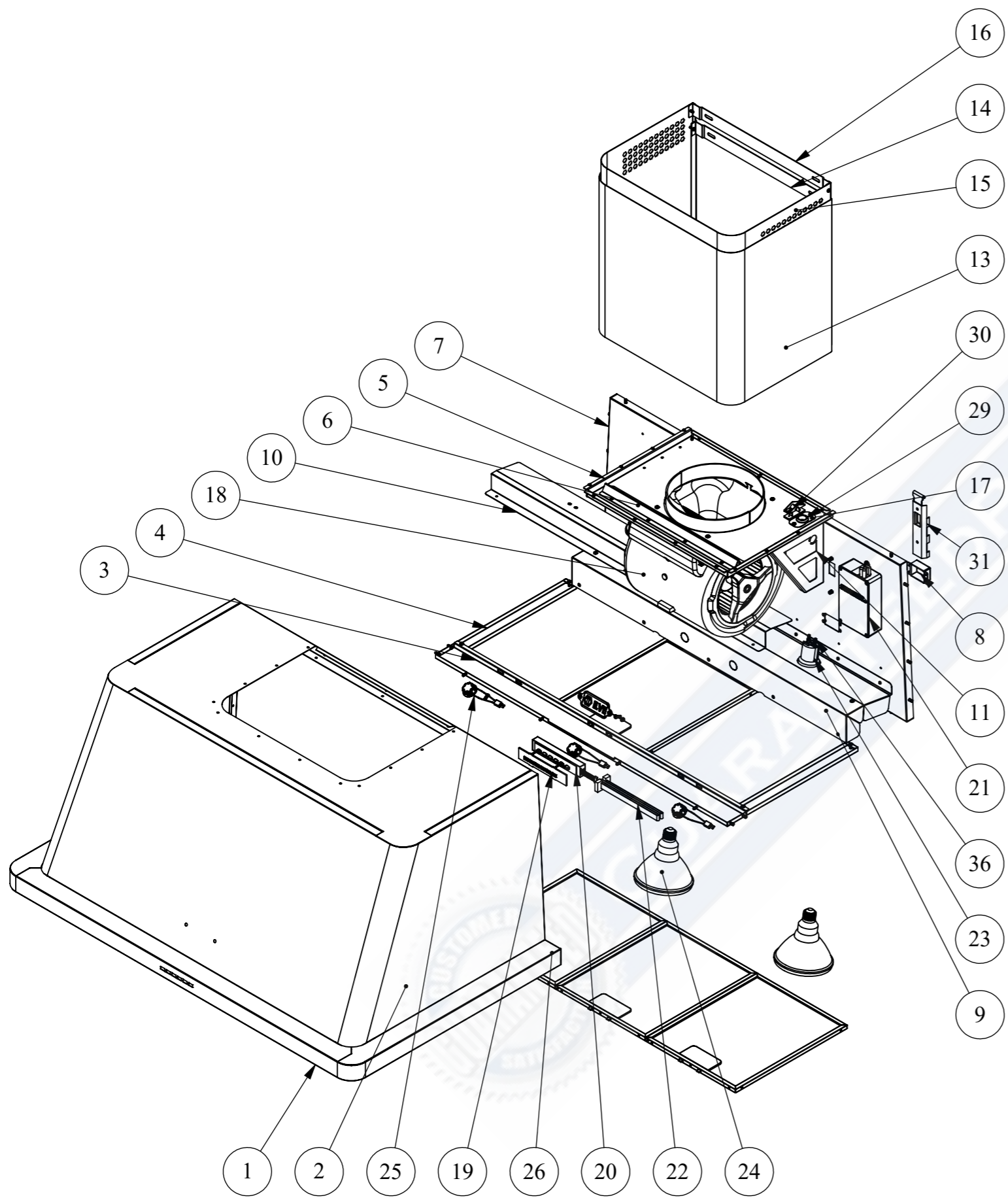
PIEGHE IN GIU'
PIEGHE IN SU'

This drawing contains confidential information and is the property of ILVE SPA, without whose permission it may not be copied, shown or handed to a third party or otherwise used, and it is to be returned promptly upon request to the ILVE SPA, which is responsible for the drawing. SUPPLY SPECIFICATIONS / SPECIFICHE DI FORNITURA. Remove all punching burrs after machining or press-forming process. draft angle 2°. fillets not quoted R=2, internal bend radius as thickness, chamfers not quoted: 0.5x45°. For other specifications please contact the technical department.

0.4	0.2/100
0.4	0.2/100
0.25	0.2/100

Angles ± 1°
Angoli ± 1°

General tolerance - Tolleranza generale: UNI EN 227 68/1 - C	
Length and diam. Lungn. e diametri	> 315 1000 2000 4000
Tolerance Tolleranza	± 0.2 ± 0.5 ± 0.8 ± 1.2 ± 2.0 ± 3.0 ± 4.0 ± 5.0



Pos.	Qtà	CODICE/Code	Rev	DESCRIZIONE/Description
40	2	LV00821500		DADO ESAG.M4 AUTOBLOCCANTE
39	2	LV00824700		VITE TSP+ M4X16 INOX ISO 7046/2
38	4	LV00964900	00	VITE aut. TC+ 4.2x13 NIC
37	4	LV00073700		VITE TC+ M4x10 ZB
36	4	LV00964600	00	VITE TC ES INC M4X20 INOX
35	9	LV00018700	01	INSERTO M4 CH6 TESTA RIDOTTA
34	55	LV00019900		RIVETTO 3.2x10.4 ALLUMINIO
33	55	LV00072000		VITE aut. TC+ 3.9x13 ZB SP
32	2	LV00022901		PIASTRA AGGANCIO
31	2	LV00027100		ATTACCAGLIA 624.400.033
30	1	LV00694200		BLOCCACAVI IN PLASTICA PA238RO
29	1	LV00103000		GOMMINO PASSACAVI Ø 22
28	1	LV00659200		PASSACAPO PVC KP 9-12-16-2
27	1	LVA30200064	00	Marchietto ilve
26	4	LV00285100		FILTRO ALLUMINIO P320 x L258
25	3	LVA40300013		FAR.LED CROMO 1 W 350mA 3000°K (UL/CSA)
24	2	LV00964400	00	LAMPADA INFRAR. Par38 IR 175W E27 110V
23	2	LV00964300	00	PORTALAMPADA E27 PORCELLANA BIANCA
22	1	LV00663500	00	PROLUNGA PULSANTIERE
21	1	LV00965100	00	MAIN I.E. 110V + 2 LAMP. INFRAROSSO+ Alimentatore + CABLAGGIO UL
20	1	LV00964700	00	COMANDI RETT. 6T UL
19	1	LV00785000		PLASTICA FISS. COMANDI RETT.
18	1	LVD2E160GL2121LW	00	D2E160GL2121_LW 1500m3/h
17	1	LV00052800		CHIUSURA CAVI
16	1	LVMJ100C022	00	STAFFA PROLUNGA
15	1	LVMJ100C021	00	PROLUNGA CAMINO
14	1	LVMJ100C020	00	STAFFA CAMINO
13	1	LVMJ100C019	00	CAMINO ESTERNO
12	1	LVMJ100C018	00	RINFORZO SX MOTORE
11	1	LVMJ100C017	00	RINFORZO DX MOTORE
10	1	LVMJ100C016	00	SUPPORTO LAMPADE
9	1	LVMJ100C015	00	PROTEZIONE LAMPADE 1000
8	2	LVMJ100C014	00	STAFFA SICUREZZA
7	1	LVMJ100C013	00	SCHIENALE
6	1	LVMJ100C012	00	RINFORZO BASE MOTORE
5	1	LVMJ100C011	00	BASE MOTORE EBM1400
4	2	LVMJ100C010	00	DISTANZIALE FILTRI LATERALE 1000
3	1	LVMJ100C009	00	DISTANZIALE FRONTALE FILTRI 1000
2	1	LVMJ100A002	00	ASSIEME MANTELLO 1000
1	1	LBMJ100A001	00	ASSIEME CRUSCOTTO 1000

	PROGETTO/Project	CLIENTE	SIMMETRICO/Simmetrical code	TIPO/Type	GRUPPO/Group
	RIFERIMENTO / Reference	CODICE CLIENTE	MATERIALE/Material		PESO/Weight (kg)
DENOMINAZIONE/Name			GREZZO/Stock size	FIRMA/Sign	Orientamento
HOOD MAJESTIC 100 UL 1400			mm	MO	
Il presente disegno è proprietà della ILVE SPA Non può essere copiato o mostrato a terzi senza preventiva autorizzazione scritta. La Società tutelerà a termini di legge. This drawing is property of ILVE SPA an may not be reproduced nor disclosed to third parties without the written consent of ILVE SPA Any abuse will be prosecuted.			FINITURA/Finish	SCALA/Scale	DATA/Date
				1:10	11/06/20
			DISEGNO NR./Drawing no.	REV/Rev	
			UAM100	00	