

PIEGHE IN GIU'
PIEGHE IN SU'

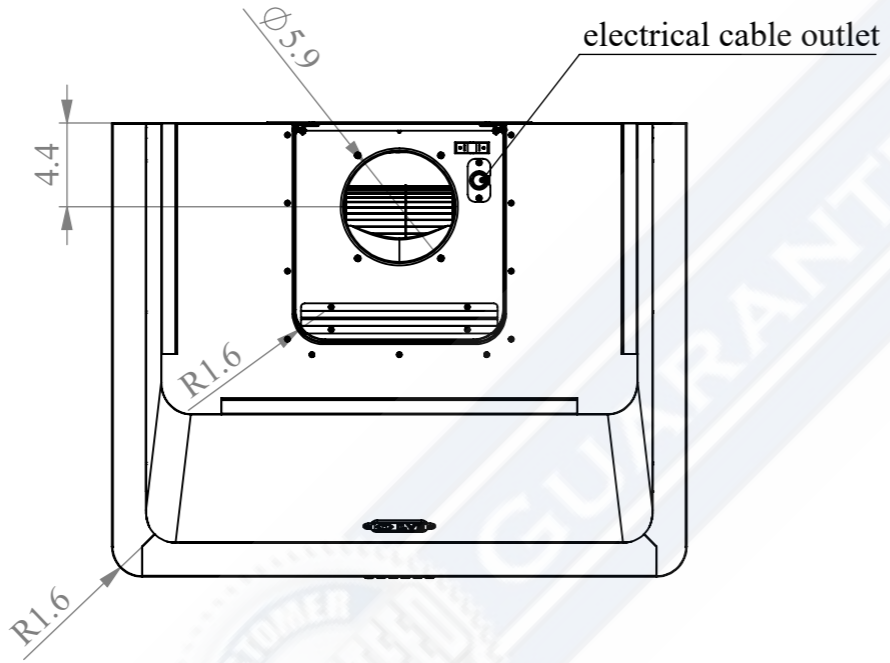
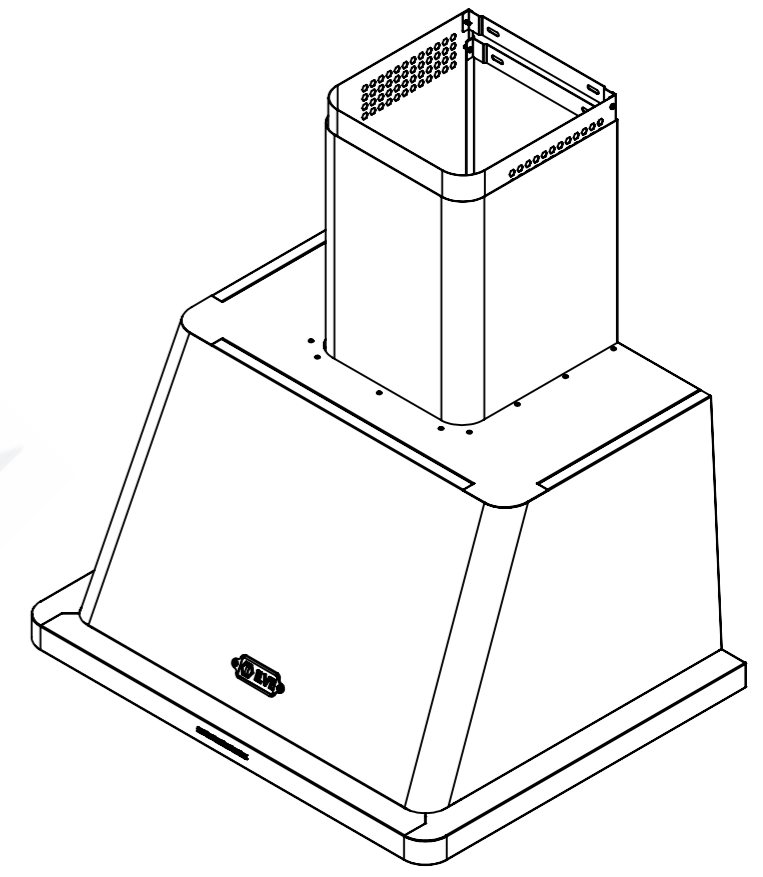
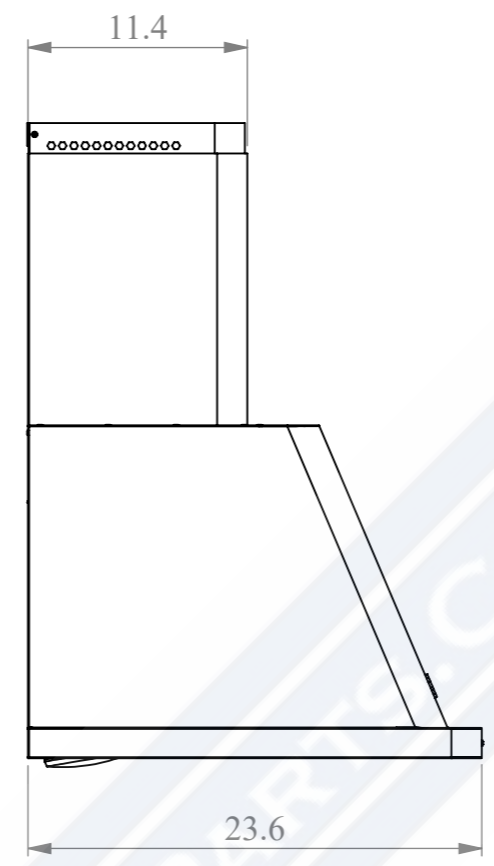
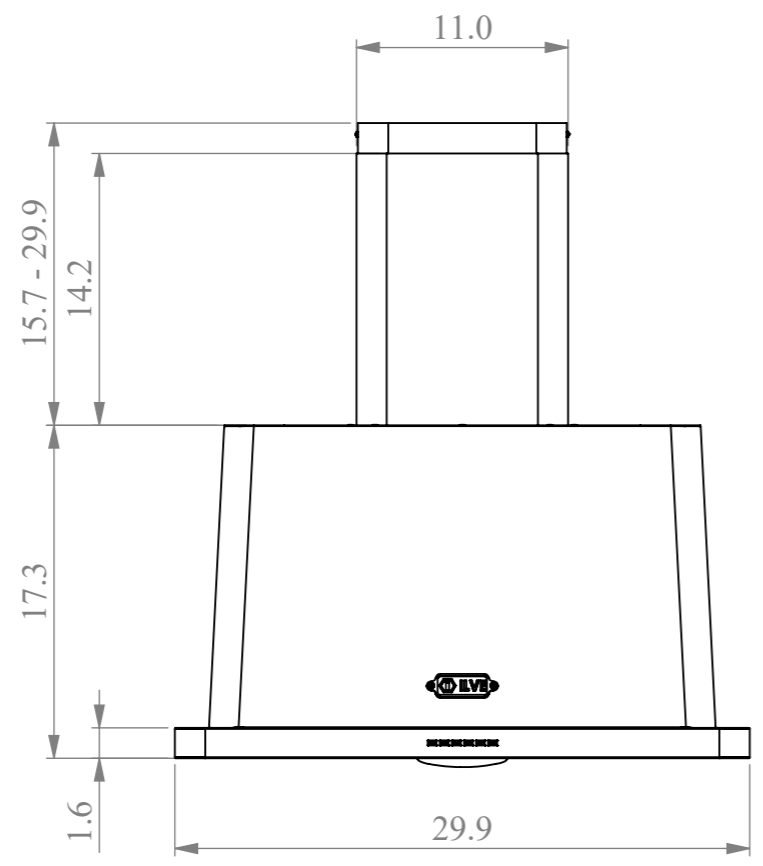
This drawing contains confidential information and is the property of ILVE SPA, without whose permission it may not be copied, shown or handed to a third party or otherwise used, and it is to be returned promptly upon request to the ILVE SPA, which is responsible for the drawing. SUPPLY SPECIFICATIONS / SPECIFICHE DI FORNITURA. Remove all punching burrs after machining or press-forming process. draft angle 2°. fillets not quoted R=2, internal bend radius as thickness. chamfers not quoted: 0.5x45°. For other specifications please contact the technical department.

0.4	0.2/100
0.4	0.2/100
0.25	0.2/100

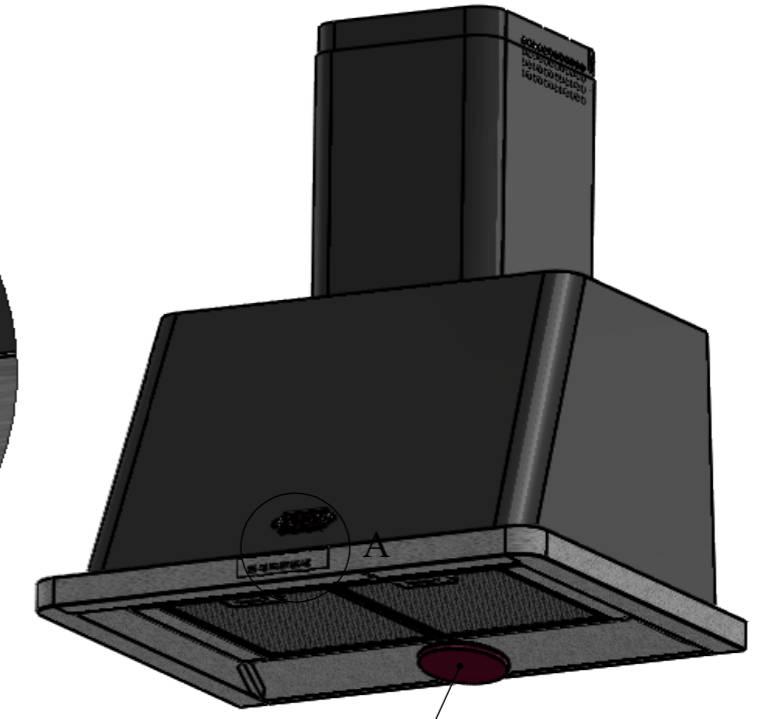
Angles ± 1°
Angoli ± 1°

General tolerance - Tolleranza generale: UNI EN 227 68/1 - C	
Length and diam. / Lung. e diametri	> 4000
	315 1000 2000
	120 315 1000 2000 4000
Tolerance / Tolleranza	± 0.2 ± 0.5 ± 0.8 ± 1.2 ± 2.0 ± 3.0 ± 4.0 ± 5.0

COD	COLOR
MG	MAT GRAPHITE
EG	EMERALD GREEN
BU	BURGUNDY
BK	BLACK
WH	WHITE
AW	ANTIQUE WHITE
MB	MIDNIGHT BLUE
SS	STAINLESS STEEL



DETTAGLIO A
SCALA 1 : 2



infrared lamps 1x175 watts

ILVE	PROGETTO/Project	CLIENTE	SIMMETRICO/Simmetrical code	TIPO/Type	GRUPPO/Group
	USA				
	RIFERIMENTO / Reference	CODICE CLIENTE	MATERIALE/Material		PESO/Weight (kg)
			GREZZO/Stock size	FIRMA/Sign	Orientamento
			mm	MO	
DENOMINAZIONE/Name			FINITURA/Finish	SCALA/Scale	DATA/Date
HOOD MAJESTIC 760 UL 1000				1:10	29/06/20
Il presente disegno è proprietà della ILVE SPA Non può essere copiato o mostrato a terzi senza preventiva autorizzazione scritta. La Società tutelera a termini di legge. This drawing is property of ILVE SPA an may not be reproduced nor disclosed to third parties without the written consent of ILVE SPA Any abuse will be prosecuted.			DISEGNO NR./Drawing no.		REV/Rev
			UAM76		00

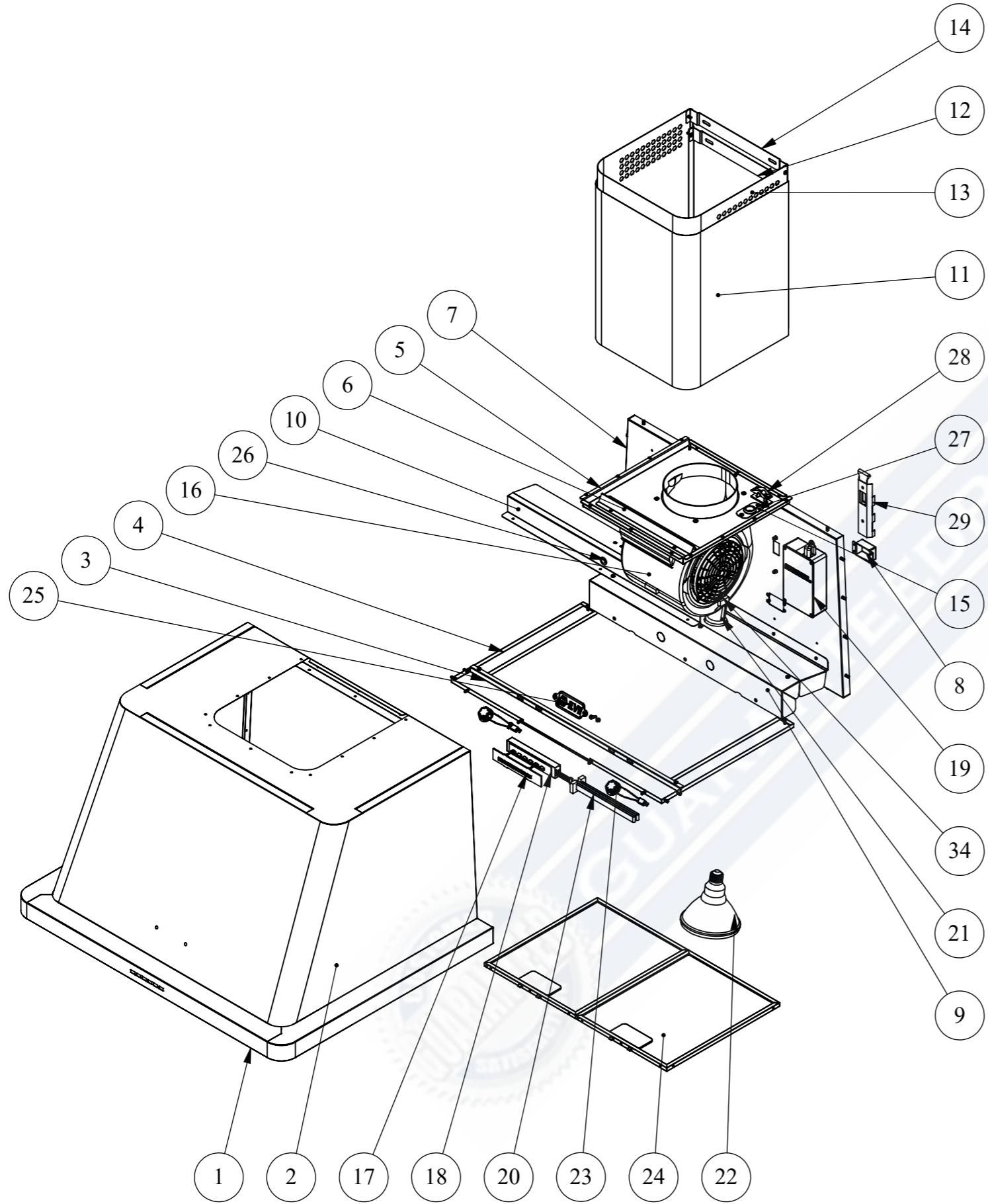
PIEGHE IN GIU'
PIEGHE IN SU'

This drawing contains confidential information and is the property of ILVE SPA. Without whose permission it may not be copied, shown or handed to a third party or otherwise used, and it is to be returned promptly upon request to the ILVE SPA, which is responsible for the drawing. SUPPLY SPECIFICATIONS / SPECIFICHE DI FORNITURA. Remove all punching burrs after machining or press-forming process. draft angle 2°. fillets not quoted R=2, internal bend radius as thickness, chamfers not quoted: 0.5x45°. For other specifications please contact the technical department.

0.4	0.2/100
0.4	0.2/100
0.25	0.2/100

Angles ± 1°
Angoli ± 1°

General tolerance - Tolleranza generale: UNI EN 227 68/1 - C	
Length and diam. / Lungn. e diametri	> 3000
Tolerance / Tolleranza	± 0.2 ± 0.5 ± 0.8 ± 1.2 ± 2.0 ± 3.0 ± 4.0 ± 5.0



38	2	LV00821500	DADO ESAG.M4 AUTOBLOCCANTE
37	2	LV00824700	VITE TSP+ M4X16 INOX ISO 7046/2
36	4	LV00964900	00 VITE aut. TC+ 4.2x13 NIC
35	4	LV00073700	VITE TC+ M4x10 ZB
34	2	LV00964600	00 VITE TC ES INC M4X20 INOX
33	7	LV00018700	01 INSERTO M4 CH6 TESTA RIDOTTA
32	34	LV00019900	RIVETTO 3.2x10.4 ALLUMINIO
31	53	LV00072000	VITE aut. TC+ 3.9x13 ZB SP
30	2	LV00022901	PIASTRA AGGANCIO
29	2	LV00027100	ATTACCAGLIA 624.400.033
28	1	LV00694200	BLOCCACAVI IN PLASTICA PA238RO
27	1	LV00103000	GOMMINO PASSACAVI Ø 22
26	1	LV00659200	PASSACAVO PVC KP 9-12-16-2
25	1	LVA30200064	00 Marchietto ilve
24	2	LV00285100	FILTRO ALLUMINIO P320 x L258
23	2	LVA40300013	FAR.LED CROMO 1 W 350mA 3000°K (UL/CSA)
22	1	LV00964400	00 LAMPADA INFRAR. Par38 IR 175W E27 110V
21	1	LV00964300	00 PORTALAMPADA E27 PORCELLANA BIANCA
20	1	LV00663500	00 PROLUNGA PULSANTIERE
19	1	LV00965100	00 MAIN I.E. 110V + 2 LAMP. INFRAROSSO+ Alimentatore + CABLAGGIO UL
18	1	LV00964700	00 COMANDI RETT. 6T UL
17	1	LV00785000	PLASTICA FISS. COMANDI RETT.
16	1	LV86546034	00 MOTORE 1000 m3/h 110V
15	1	LV00052800	CHIUSURA CAVI
14	1	LVMJ076C022	00 STAFFA PROLUNGA
13	1	LVMJ076C021	00 PROLUNGA CAMINO
12	1	LVMJ076C020	00 STAFFA CAMINO
11	1	LVMJ076C019	00 CAMINO ESTERNO
10	1	LVMJ076C016	00 SUPPORTO LAMPADE
9	1	LVMJ076C015	00 PROTEZIONE LAMPADE 760
8	2	LVMJ100C014	00 STAFFA SICUREZZA
7	1	LVMJ076C013	00 SCHIENALE
6	1	LVMJ076C012	00 RINFORZO BASE MOTORE
5	1	LVMJ076C011	00 BASE MOTORE EBM1400
4	2	LVMJ076C010	00 DISTANZIALE FILTRI LATERALE 760
3	1	LVMJ076C009	00 DISTANZIALE FRONTALE FILTRI 760
2	1	LVMJ076A002	00 ASSIEME MANTELLO 760
1	1	LVMJ076A001	00 ASSIEME CRUSCOTTO 760

ILVE	PROGETTO/Project	CLIENTE	SIMMETRICO/Simmetrical code	TIPO/Type	GRUPPO/Group
	RIFERIMENTO / Reference	CODICE CLIENTE	MATERIALE/Material		PESO/Weight (kg)
DENOMINAZIONE/Name			GREZZO/Stock size	FIRMA/Sign	Orientamento
HOOD MAJESTIC 760 UL 1000			mm	MO	
Il presente disegno è proprietà della ILVE SPA Non può essere copiato o mostrato a terzi senza preventiva autorizzazione scritta. La Società tutelera a termini di legge. This drawing is property of ILVE SPA an may not be reproduced nor disclosed to third parties without the written consent of ILVE SPA Any abuse will be prosecuted.			FINITURA/Finish	SCALA/Scale	DATA/Date
				1:10	29/06/20
			DISEGNO NR./Drawing no.	REV/Rev	
			UAM76	00	