

**ILVE S.p.a.**

UM12FDNS3\_SSC

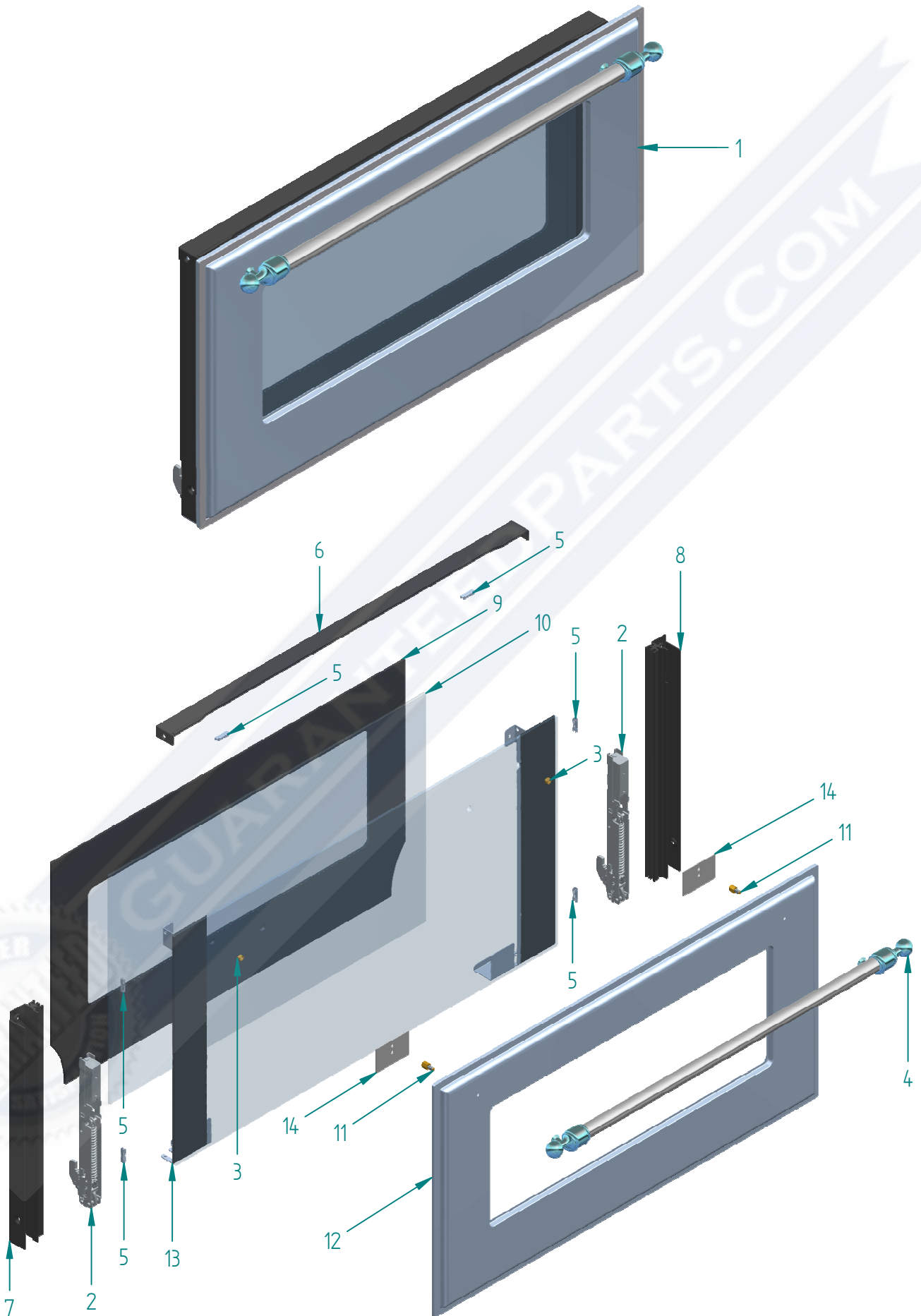
UM12FDNS3\_SSC

02/07/2020

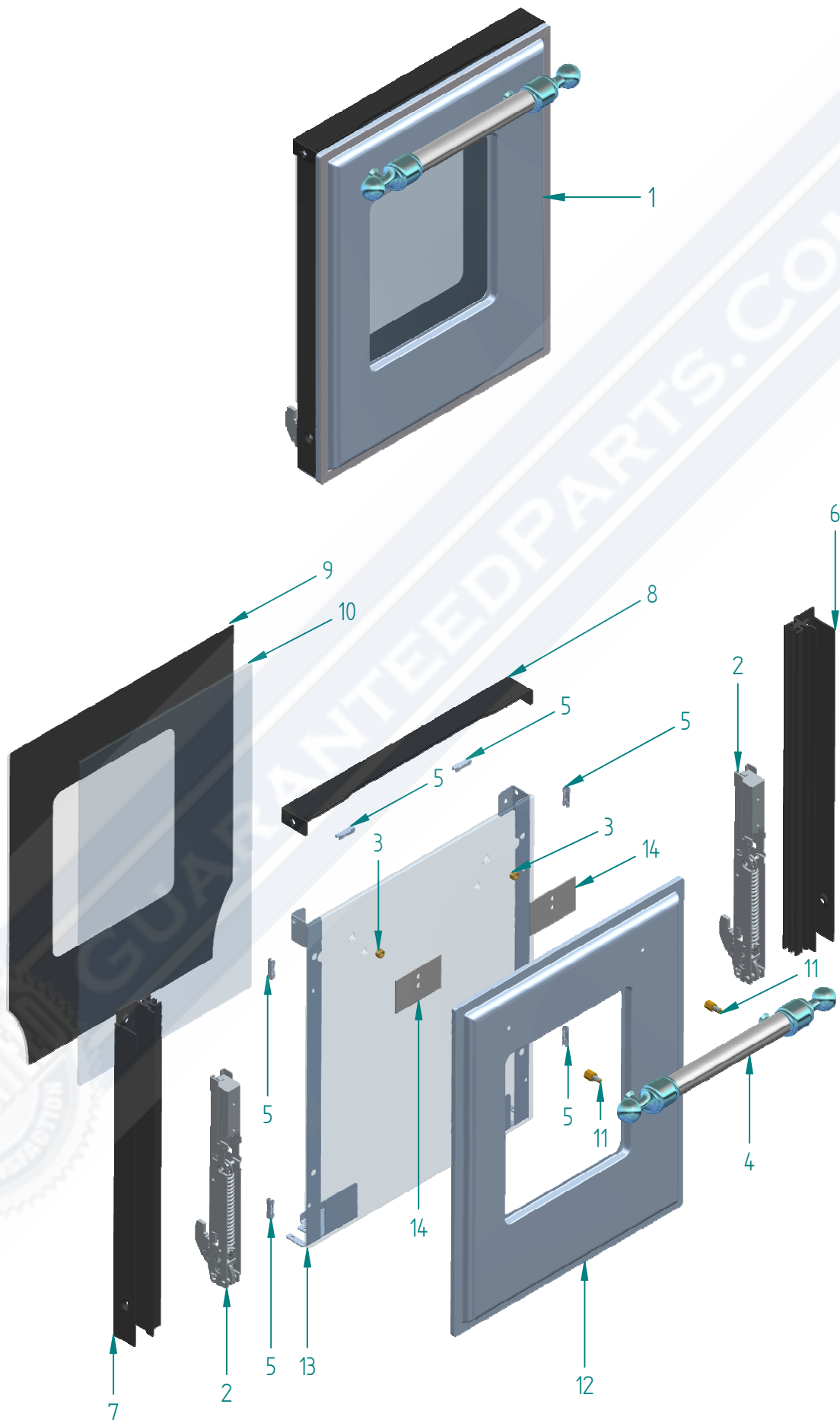


 **ILVE**

Live, Cook, Love.



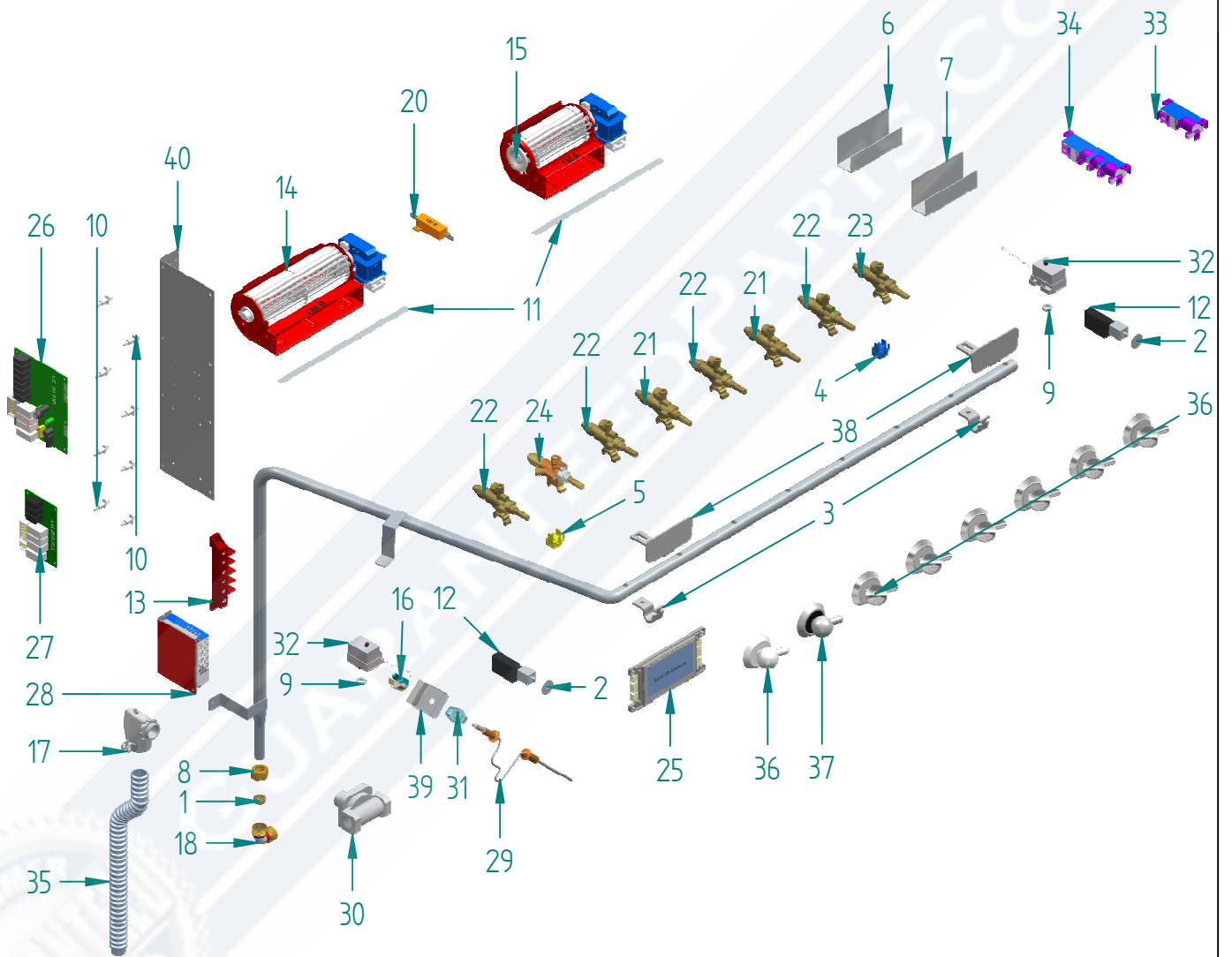
N°	Cod	Descrizione	Inglese	Qtà
1	EG9624014000808	PORTA COMPL 80 3V M12N INOX-CROMO	TRIPLE GLASS 80 M12-N DOOR/ST	1
2	EA0916011000000	CERNIERA POR FO 80 '15 SOFT CLOS	80 OVEN DOOR HINGES	2
3	EA1290002000000	DISTANZIALE OT H=5,5 MANIG POR INOX	BRASS SPACER FOR HANDLE	2
4	EA4270003000008	MAN/CORRIM CROMO MAJEST D=22 I=625	MAJESTIC CHROME HANDLE D=22 I=625	1
5	EA4355001000000	MOLLA (CLIP FISSAGGIO) VETRO INTERM	SPRING	6
6	EA5890003000000	PROFILO GUIDA VET SUP 80 NERO '15	INSIDE PROFILE	1
7	EA5890005000000	PROFILO GUIDA VET SX NERO '15	INSIDE PROFILE	1
8	EA5890014000000	PROFIL GUI VET DX NERO MD10 M12 P12	INSIDE PROFILE	1
9	EA7814004110000	VETRO INTERNO 80 MUFF '15	INSIDE DOOR GLASS	1
10	EA7814006110000	VETRO INTERMEDIO 80 MUFF '15	INTERMEDIATE DOOR GLASS	1
11	EA7851005000000	VITE APP VE EST MAJ M5 L19 CH8 OTT	SCREW	2
12	EG5405004000808	PORTA+CORNICI 80 M09/12/15N INOX-CR	DOOR+FRAMES 80 M09/12/15N INOX-CR	1
13	EG9860001000000	VETRO+SQ PORTA 80 M12	DOOR GLASS	1
14	ES6060001010000	RINFORZO MAN PO MAJ-FRON CASS PT100	REINFORCEMENT	2



UM12FDNS3\_SSC

02/07/2020

N°	Cod	Descrizione	Inglese	Qtà
1	EG9620006000808	PORTA COMP 30 3V MD10 M12N INOX-CRO	TRIPLE GLASS 30 MAJ-N DOOR/ST	1
2	EA0916007000000	CERNIERA POR FO 40 MAJ/STD '15 SOFT	40 OVEN DOOR HIN	2
3	EA1290002000000	DISTANZIALE OT H=5,5 MANIG POR INOX	BRASS SPACER FOR HANDLE	2
4	EA4270008000008	MANIGLIONE CROMO MAJEST D=22 I=195	MAJESTIC CHROME HANDLE D=22 I=195	1
5	EA4355001000000	MOLLA (CLIP FISSAGGIO) VETRO INTERM	SPRING	6
6	EA5890004000000	PROFILO GUIDA VET DX NERO '15	INSIDE PROFILE	1
7	EA5890005000000	PROFILO GUIDA VET SX NERO '15	INSIDE PROFILE	1
8	EA5890010000000	PROFILO GUIDA VET SUP 30 NERO '15	UPPER PROFILE	1
9	EA7814021110000	VETRO INTERNO 30 MUFF '15	INSIDE DOOR GLASS	1
10	EA7814026110000	VETRO INTERMEDIO 30 MUFF '15	INSIDE DOOR GLASS	1
11	EA7851005000000	VITE APP VE EST MAJ M5 L19 CH8 OTT	SCREW	2
12	EG5405005000808	PORTA+CORNICI 30 MD10 M12N INOX-CR	DOOR+FRAMES 30 MD10 M12N INOX-CR	1
13	EG9860007000000	VETRO + SQ PORTA 30 MD10 M12	DOOR GLASS	1
14	ES6060001010000	RINFORZO MAN PO MAJ-FRON CASS PT100	REINFORCEMENT	2



UM12FDNS3\_SSC

02/07/2020

N°	Cod	Descrizione	Inglese	Qtà
1	EA0676001000000	BICONO 14MM RACCORDO PORTAGOMMA	14MM BICONO HOSE CONNECTOR	1
2	EA0755001000000	BOCCOLA PERNO MICRO LUCE FORNO '15	MICRO LIGHT OVEN PINS '15	2
3	EA0776001000000	BRIGLIA RAMPA FORNO ELZN	OVEN RAMP CLAMP	2
4	EA0877015000000	CATENARIA MICRO CUC 2F UL	IGNITION WIRING	1
5	EA0877018000000	CATENARIA MICRO CUC 6F UL	WIRING	1
6	EA0895001000000	CARTONCINO IS NOMEX TRAS 6F 190X152	NOMEX INSULATING CARD IGNITION TRAN	1
7	EA0895002000000	CARTONCINO ISOL NOMEX TRASF 4FUOCHI	CARTRIDGE INSULATING NOMEX TRASF 4	1
8	EA1201001000000	DADO 1/2 D.14 RACCORDO PORTAGOMMA	NUT 1/2 D.14 HOSE CONNECTOR	1
9	EA1201008000000	DADO ES M1x10 TERM SIC UL RIARM MAN	NUT	2
10	EA1290003000000	DISTANZ PER PCB FORNO TC 5506AA00	SPACER	8
11	EA2683011000000	GUARNIZIONE MOTOV TANG ANTIV L=270	GASKET FOR BUILT IN HOB L=270	2
12	EA4330001000000	MICROINT LUCE FORNO+SUPP '15 3 FAST	MICRO SWITCH	2
13	EA4356002000000	MORSETTIERA 5 POLI+TERRA UL	TERMINAL BOARD FV273/6	1
14	EA4365012000000	MOTOV TANG L=180 120V CLAS H UL IMS	UL COOLING FAN L=180	1
15	EA4365013000000	MOTOV TANG L=120 120V CLAS H UL IMS	UL COOLING FAN L=120	1
16	EA5420001000000	PORTASONDA PROGRAMM ELETTR	PROBE HOLDER	1
17	EA5978007000000	RACCORDO TUBO FLEX 90° 3/4" UL/CSA	CONNECTOR	1
18	EA5978012000000	RACC CURVO PORTAG USA 1/2"G-1/2"NPT	HOSETAIL	1
19*	EA5980022000000	RAMPA CUCINA 8 FORI M12 '15	RAMP	1
20	EA6011021000000	RESISTORE CERAM 50W 130R	HEATING ELEMENT	1
21	EA6125012000000	RUB ALLOG MICRO CUC VALV SR 32 JACK	VALVE + S.V.	2
22	EA6125013000000	RUB ALLOG MICRO CUC VALV R 40 JACK	VALVE + S.V.	4
23	EA6125014000000	RUB ALLOG MICRO CUC VALV DC 75 JACK	VALVE + S.V.	1
24	EA6125017000000	RUB ALLOG MICRO CUC VALV DUAL JACK	VALVE + S.V.	1
25	EA6254017000000	SCHEDA EL DISPLAY TC GRUPPO TFT	TFT SCREEN CARD	1
26	EA6254018000000	SCHEDA POTENZA MULTIFUNZIONE TFT	POWER BOARD	1
27	EA6254019000000	SCHEDA AUX STATICA TFT	POWER BOARD	1
28	EA6254029000000	SCHEDA ALIM 35W DISPLAY TFT USA		1
29	EA6551002000000	SONDA CARNE PROGR ELETTR	PROBE 220/240V	1
30	EA6658001000000	STABILIZZATORE PRESSIONE CSA	PRESSURE GAS REGULATOR	1
31	EA6835002000000	TAPPO PORTASONDA	COVER	1
32	EA6871007000000	TERMOSTATO SIC FORN UL RIARMO MAN		2
33	EA7026010000000	TRASFORMATORE ACC 2F BR SAB UL	2 WAY EL. IGN. TRANSFORMER (QUICK S	1
34	EA7026012000000	TRASFORMATORE ACC 6F BR SAB UL	6 WAY EL. IGN. TRANSFORMER (QUICK S	1
35	EA7080006000000	TUBO FLEX PROT CAVI (3/4) UL L=120	CONDUIT	1
36	EG9491003000108	MANOPOLA MAJ GAS CUCINA NERO-CRO	GAS KNOB FOR MAJ COOKER / CHROME	7
37	EG9492003000108	MANOPOLA MAJ GAS CUC DUAL NERO-CRO	DUAL GAS KNOB FOR MAJ COOK/CHR	1
38	ES6601021010000	SQUADRETTA FERMAR AL CRU M12-15	BRACKET	2
39	ES6678021010000	SUPPORTO PORTASONDA 948-MAJ	PROBE HOLDER SUPPORT	1
40	ES6678068010000	SUPPORTO SCHEDE CUC MAJ '15	ELECTRONIC BOARD SUPPORT	1

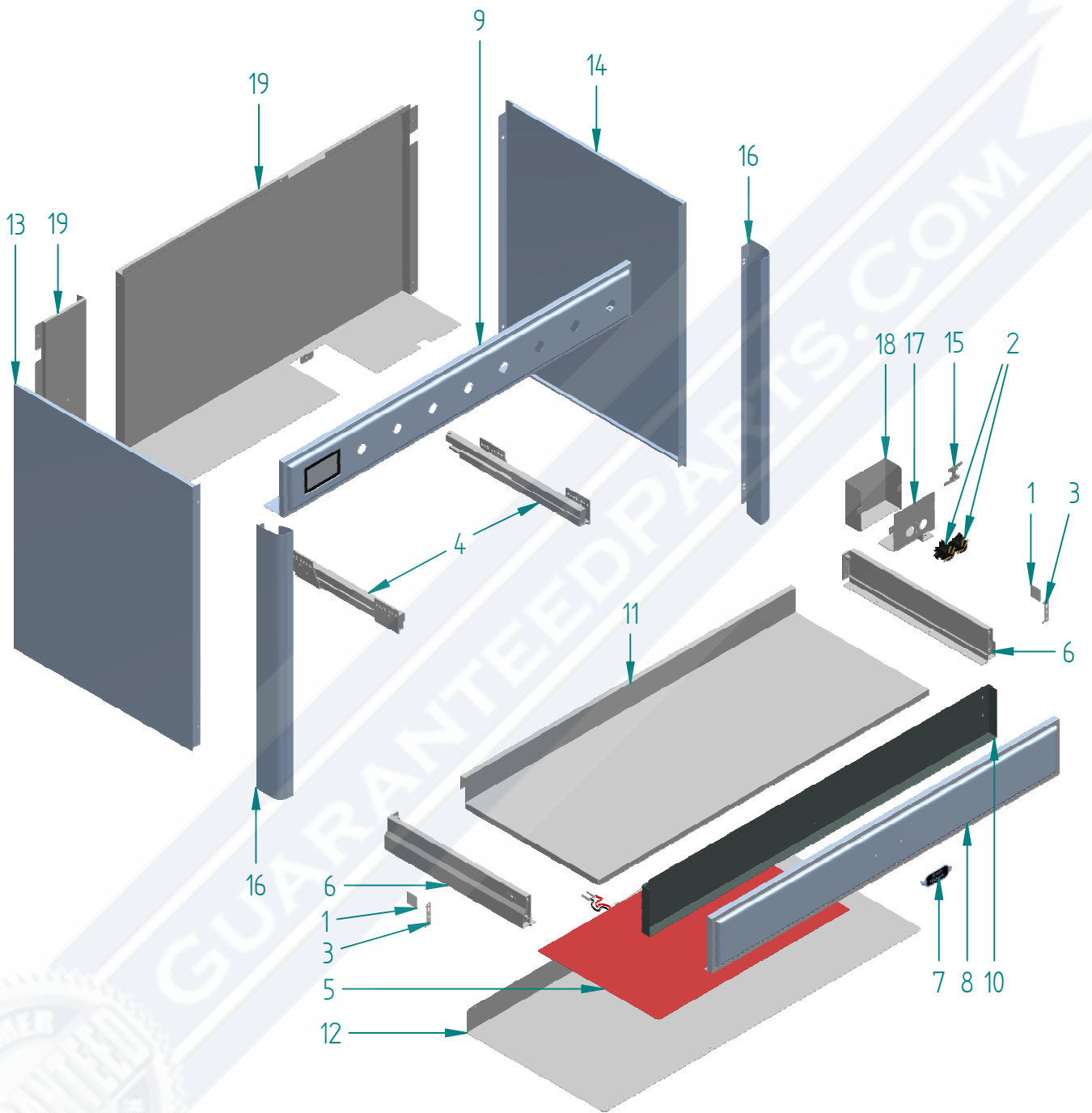




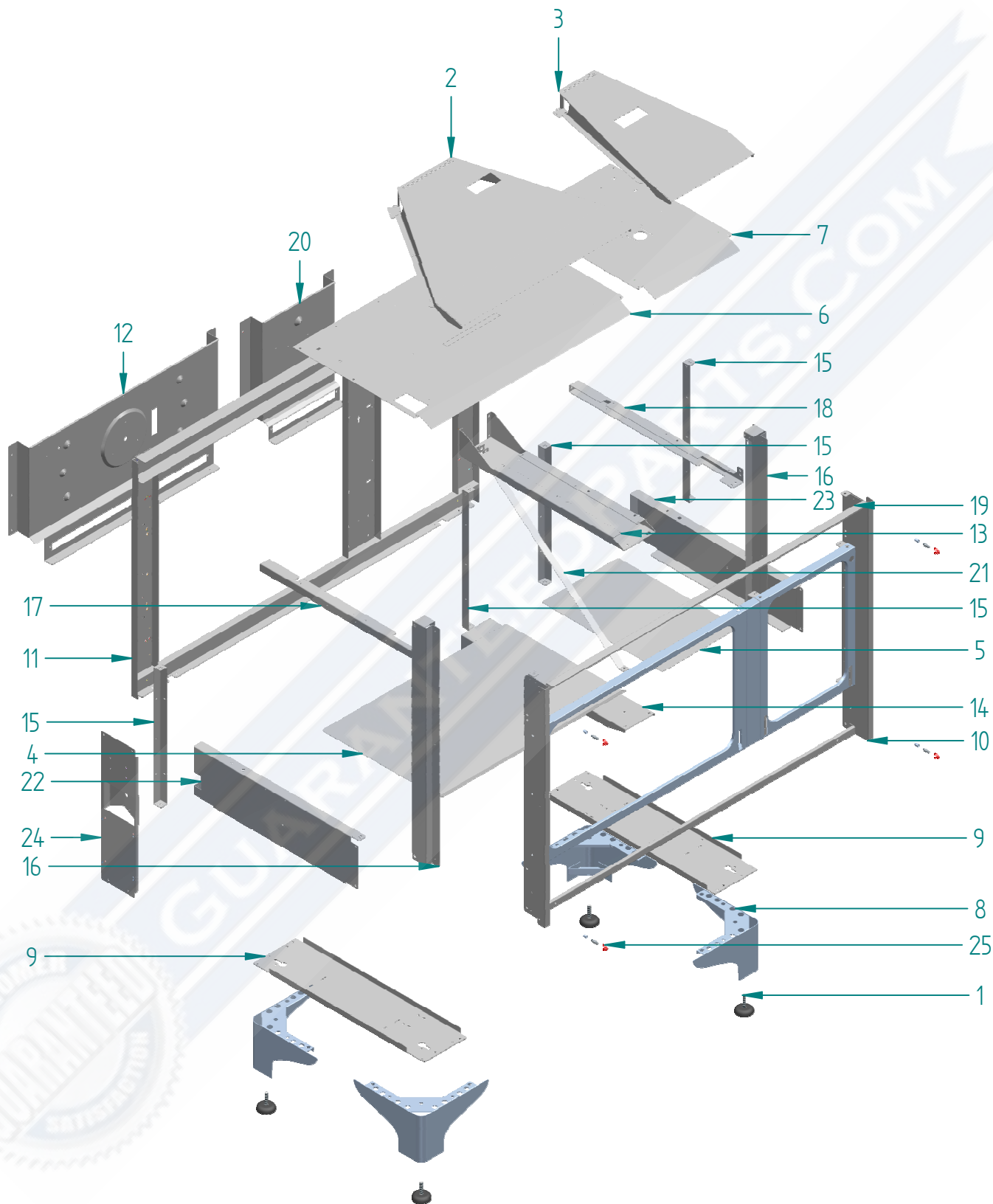
UM12FDNS3\_SSC

02/07/2020

N°	Cod	Descrizione	Inglese	Qtà
1	EA0885003000000	CANDELA IS P/R/SR SABAF L=400	IGNITION PLUG P/R/SR L=400	4
2	EA0885005000000	CANDELA IS P/R/SR SABAF L=850	IGNITION PLUG P/R/SR L=850	2
3	EA0885010000000	CANDELA IS TC SABAF L=900	IGNITION PLUG MM 900	2
4	EA1026001000000	CLIP CANDELETTA IS R-SR-P	FIXING CLIP R-SR-P	6
5	EA1026002000000	CLIP CANDELETTA IS DCC + HEA SABAF	FIXING CLIP DCC	2
6	EA1051001000000	COPRISP IS AUX OTT/NERO LOGO ILVE	FLAME DIVIDER COVER AUX	2
7	EA1052001000000	COPPA BRUCIATORE IS DCC	BURNER SUPPOR DCC	1
8	EA1052002000000	COPPA BRUCIATORE IS DUAL	BURNER SUPPORT DUAL	1
9	EA1052003000000	COPPA BRUCIATORE IS SR	BURNER SUPPOR SR	2
10	EA1052004000000	COPPA BRUCIATORE IS R	BURNER SUPPOR R	4
11	EA1053001000000	COPRIFORO LAMIERINO CHIUS COPPA IS	HOLE COVER	2
12	EA1201006000000	DADO TERMOCOP M6X0.75 OT CH 8 H3.5	NUT	8
13	EA2630018000000	GRIGLIA PROFESS 60 FORO 120 285X280	GRID PROFESSIONAL 60 HOLE 120	2
14	EA2630019000000	GRIGLIA PROFESS 60 FORO 80 285X280	GRID PROFESSIONAL 60 HOLE 80	6
15	EA2683008000000	GUARNIZIONE RACCOGLIGOCCE L=570	GASKET L=570	12
16	EA3262002000000	INIETTORE 0211/97	INJECTOR 0211/97	2
17	EA3262012000000	INIETTORE 0103/130	INJECTOR 0103/130	4
18	EA3262035000000	INIETTORE 1048/150	INJECTOR	1
19	EA3262037000000	INIETTORE 1048/142	INJECTOR 1048/142	1
20	EA3262041000000	INIETTORE 0101/70	INJECTOR 0101/70	1
21	EA6051001000000	RIDUZIONE FUOCHI FILO CROMATO	RING ADAPTER GRILL	1
22	EA6576001000000	SPARTIF IS DCC+DUAL OTT NERO	FLAME DIVIDER DCC+DUAL	2
23	EA6576002000000	SPARTIFIAMMA IS SR OTT NERO	FLAME DIVIDER SR	2
24	EA6576003000000	SPARTIFIAMMA IS R OTT NERO	FLAME DIVIDER R	4
25	EA6826001000000	TAZZINA IS (SUPPL AL) DCC+DUAL NERO	BURNER CUP DCC	2
26	EA6826002000000	TAZZINA IS (SUPP AL) SR NERO	BURNER CUP SR	2
27	EA6826003000000	TAZZINA IS (SUPP AL) R NERO	BURNER CUP R	4
28	EA6868001000000	TERMOCOPPIA BIF JACK 45CM IS TC	THERMOCOUPLE 45 CM TC	2
29	EA6868003000000	TERMOCOPPIA BIF JACK 60CM IS P/R/SR	THERMOCOUPLE 60 CM P/R/SR	6
30	EA7077103000000	TUBETTO GAS M128D ANT SX DC	GAS PIPE	1
31	EA7077104000000	TUBETTO GAS M128D ANT SX AUX	GAS PIPE	1
32	EA7077105000000	TUBETTO GAS M128D POST SX	GAS PIPE	1
33	EA7077106000000	TUBETTO GAS M128D ANT CENTR SX	GAS PIPE	1
34	EA7077107000000	TUBETTO GAS M128D POST CENTR SX	GAS PIPE	1
35	EA7077108000000	TUBETTO GAS M128D ANT CENTR DX	GAS PIPE	1
36	EA7077109000000	TUBETTO GAS M128D POST CENTR DX	GAS PIPE	1
37	EA7077110000000	TUBETTO GAS M128D ANT DX	GAS PIPE	1
38	EA7077111000000	TUBETTO GAS M128D POST DX	GAS PIPE	1
39	EA7851001000000	VITE SUP FISS COPPA BRUC SABAF	SCREW	20
40	EA7851002000000	VITE INF FISSA COPPA BRUC SABAF	SCREW	4
41	ES0251011080008	ALZATINA CUC M12 L=1216 NO ASOLE	SPALSHBACK FOR M12 COOKER/ ST. ST.	1
42	ES5977015080008	RACCOGLIG P06 1F+TC INOX Ilve/Sabaf	DRIP CATCHER / ST ST	2
43	ES5977016080008	RACCOGLIG P06 2F INOX Ilve/Sabaf	DRIP CATCHER / ST ST	2
44	ES6860021000008	TELAIO PIANO CUC COMPLETO M128	M128 ST ST ROP FRAME	1



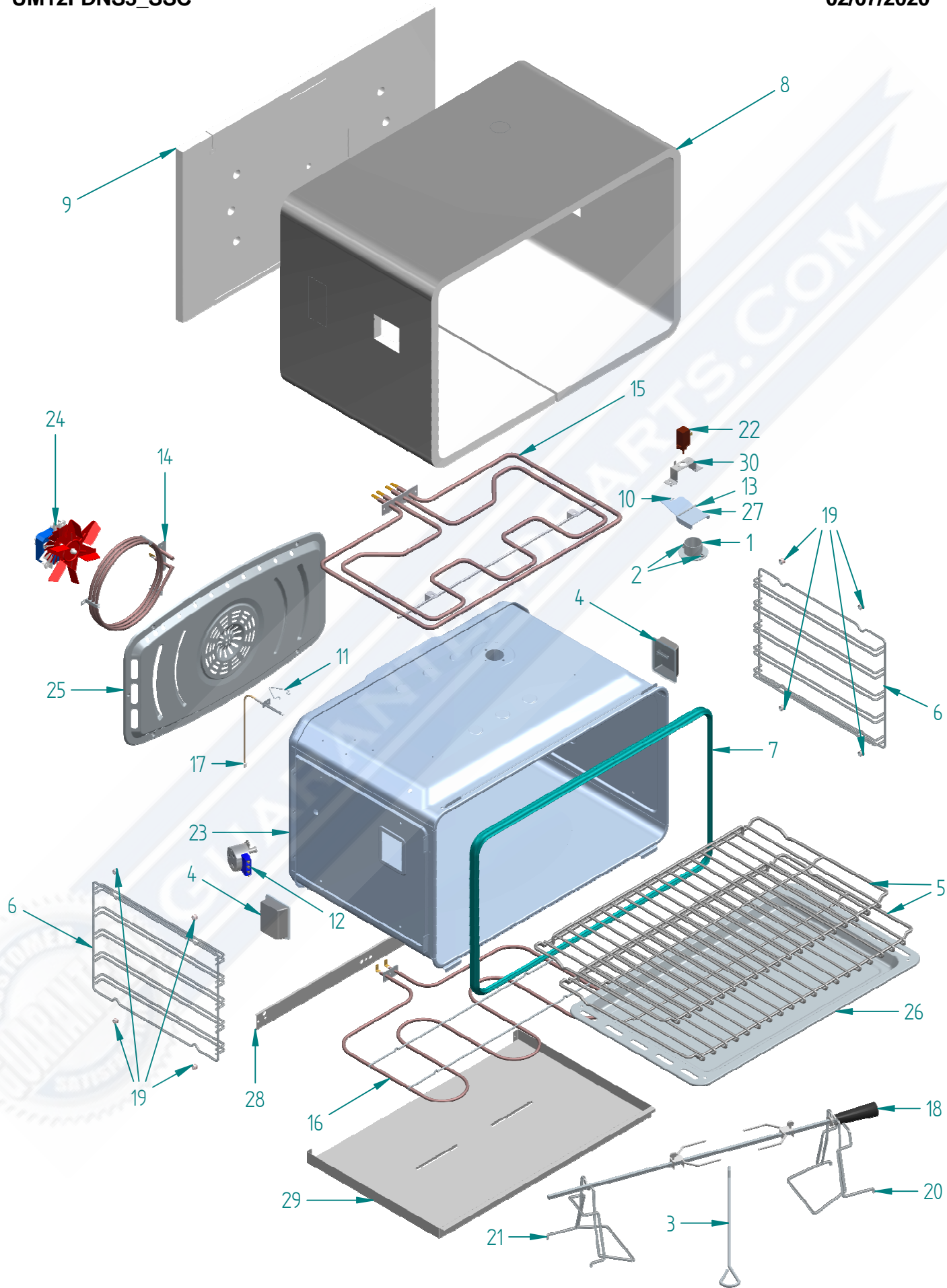
N	UM12FDNS3_SSC Cod	Descrizione	Inglese	02/07/2020 QTD
1	EA1053002000000	COPRIFORO SPONDINA CLASSIC CASS CUC	HOLE COVER	2
2	EA1059001000000	CONNETTORE EL CASSETTO RISC CUC MAJ	ELECTRICAL CONNECTOR	2
3	EA2430001000000	GANCIO ARRESTO GUIDA CASS CUC	CLAMP	2
4	EA2690001000000	GUIDA CASS (COPPIA) CUC L450 40KG	DROWER GUIDE	1
5	EA6011013000000	RESISTENZA UL CASS RISC CUC 600W	RESISTANCE 600W	1
6	EA6585001000000	SPONDA (COPPIA) CASS CUC CLASSIC	SIDE	1
7	EA6827001000008	TARG MARCHIO MAJESTIC NERO NICHEL	PLATE	1
8	EG2330016000808	FRONTALE CASSETTO+CORNICI M12 N-QN		1
9	EG9843009000808	CRUSCOT M12F-8N-QN+VET+CORN INOX-CR	COMPL CTRL BOARD+FRAME	1
10	EL1055016010000	CONTROFRONT CASS SCV +10mm M12 ELZN	M12 INSIDE DROWER FRONT	1
11	EL2305005010000	FONDO CASSETTO CUC P-M12 '15 ELZN	DRAWER FUND P-M12	1
12	ES2307005010000	FONDO CASSETTO RISCALDATO M12	HEATED DROWER BOTTOM M12	1
13	ES4044007080008	LATERALE REMOV MAJ INOX SX+10mm	SIDE PANEL SX/ST ST	1
14	ES4044008080008	LATERALE REMOV MAJ INOX DX+10mm	SIDE PANEL DX/ST ST	1
15	ES5303001010000	PIASTRINA BLOCCO CONNETTORI M09	LOCK CONNECTORS	1
16	ES5435017080008	PROFILO REMOV DX-SX M12+10 mm INOX	PROFILE FOR M12 / ST.ST.	2
17	ES6651037010000	STAFFA SUPP CONNETTORI CASS RISC		1
18	ES6678063010000	SUPPORTO CONNETTORI CASS RISC MAJ	ELECTRICAL CONNECTOR BOX	1
19	YZES1068057	COPRISCH COMPL CUC UM12		1



UM12FDNS3\_SSC

02/07/2020

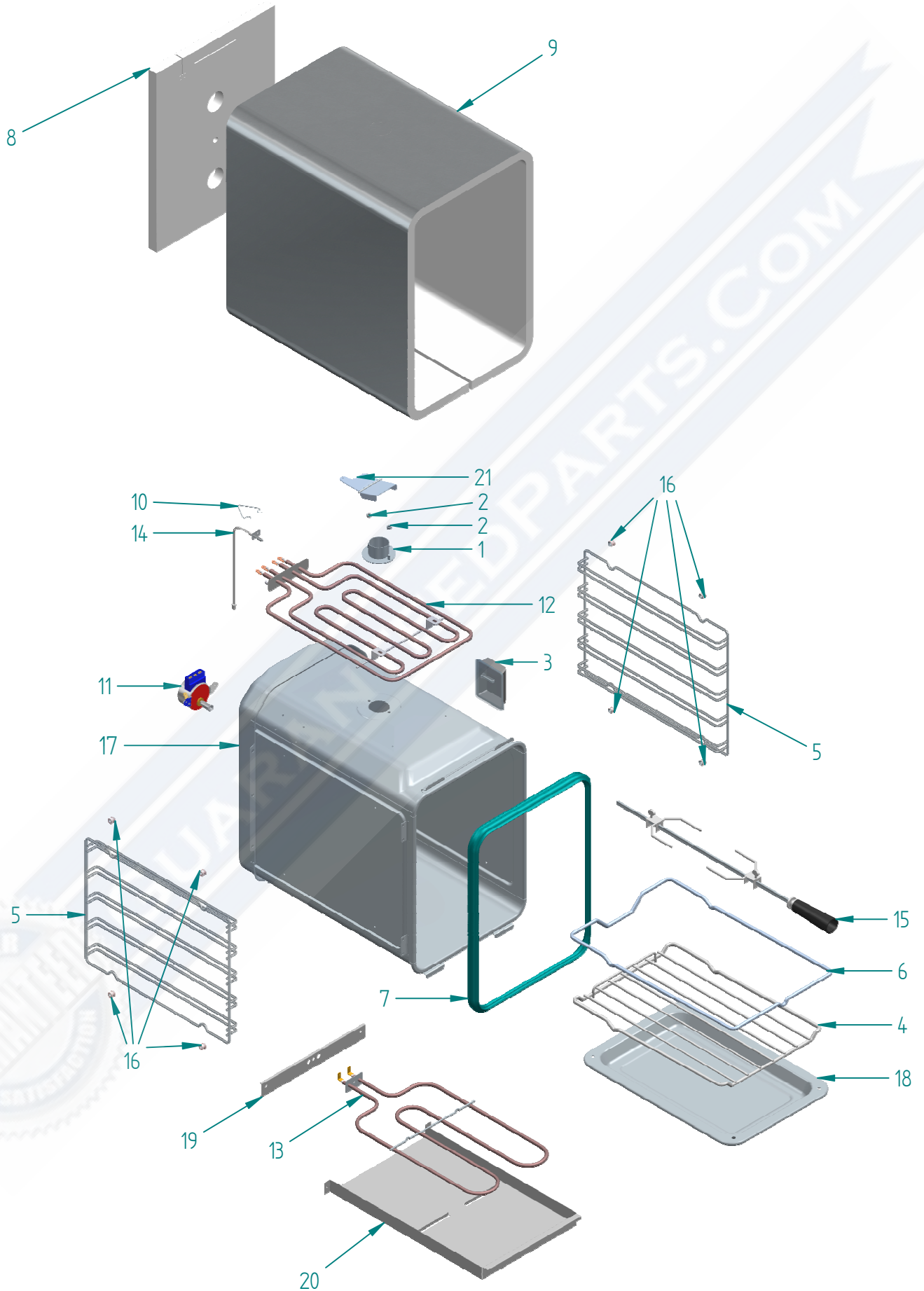
N°	Cod	Descrizione	Inglese	Qtà
1	EA5315003000000	PIEDINO GOMMA D.50 M8 H40 (FILETTO)	RUBBER FEET M8X5	4
2	ES1058018010000	CONV 90 CUC M09/12/15 '19 ELZN	AIR CONVEYER	1
3	ES1058019010000	CONV 30 CUC M12 '19 ELZN	AIR CONVEYER	1
4	ES2306003010000	FONDO CUCINA ELETT 90 ELZN	ELECTRIC COOKER BOTTOM 90 CM ELZN	1
5	ES2306004010000	FONDO CUCINA ELETT 30 ELZN	ELECTRIC COOKER BOTTOM 30 CM ELZN	1
6	ES5245008010000	PARACALOR MUF 80 CUC M09/12/15 ELZN	90 CM COOKER HEAT SHIELD	1
7	ES5245011010000	PARACALORE MUF 30 CUC M12 ELZN	30 CM COOKER HEAT SHIELD	1
8	ES5308001000008	PIEDINO CUC MAJESTIC H=140 INOX	FOOT FOR MAJESTIC COOKER / ST.ST.	4
9	ES6651016010000	STAFFA PIEDINI CUCINA MAJESTIC ZN	FEET STIRRUP FOR MAJESTIC COOKER	2
10	ES6671010000000	STRUTTURA CUCINA ANT M12	FRONT COOKER STRUCTURE M12	1
11	ES6671011000000	STRUTTURA CUCINA POST M12	REAR COOKER STRUCTURE M12	1
12	ES6671018010000	STRUTT CUC 90 PANNELLO POST ELZN	REAR PANEL FRAME	1
13	ES6671050010000	STR CUC MD10-M12/15 LIS SUP CE ELZN	CENTRAL HIGH STRUCTURE STRIP	1
14	ES6671051010000	STR CUC MD10-M12/15 LIS INF CE ELZN	CENTRAL LOWER STRUCTURE STRIP	1
15	ES6671053010000	STRUTT CUC SUPP SCHIENA MAJESTIC	OVEN BACK SUPPORT	4
16	ES6671055010000	STRUTTURA CUC M12 COMP PROF ELZN		2
17	ES6671056010000	STRUT CUC MAJESTIC LIST SUP SX ELZN	STRUCTURE HIGH STRIP SX	1
18	ES6671057010000	STRUT CUC MAJESTIC LIST SUP DX ELZN	STRUCTURE HIGH STRIP DX	1
19	ES6671060010000	STRUTT CUC M12 LIST CRUSC ELZN	DASHBOARD STOPPER	1
20	ES6671062010000	STRUTT CUC 30 PANNELLO POST ELZN	REAR PANEL FRAME	1
21	ES6671090010000	STRUTTURA CUC TIRANTE MAJESTIC ELZN	ROD MAJESTIC	1
22	ES6678066010000	SUP GUI CAS SX M07-09-10-12-15 ELZN	STRIP	1
23	ES6678067010000	SUP GUI CAS DX M07-09-10-12-15 ELZN	STRIP	1
24	ES6678081000000	SUPPORTO COMP MOTORID GIRAR CUC '15	SPIT GERED MOTOR HOLDER SUPPORT	1
25	YZEA5265003	PERNO ES M4 + RIVETTO ES M4 + MOLLA		4



UM12FDNS3\_SSC

02/07/2020

N°	Cod	Descrizione	Inglese	Qtà
1	EA0888001000000	CAMINO SCA VAP CUC/FOR '15 H=24	CHIMNEY DISCHARGE STEAM KITCHEN	1
2	EA1201007000000	DADO ES M4 DIN 980M INS/MET INOX A2	NUT	2
3	EA1935001000000	ESTRATTORE RESIST E ASTA SPIEDO	RESISTANCE EXTRACTOR AND SPARE	1
4	EA2135002000000	FARETTO AL 120V 25W MUFF '15 UL/ESA	LAMP HOLDER + LAMP	2
5	EA2631004000000	GRIGLIA FOR 80/30"RINFORZATA	OVEN GRILL 80/30"	2
6	EA2632002000000	GRIGLIA LAT MUFF '15 5 CORSIE	OVEN SIDE GRILL	2
7	EA2684004000000	GUARN MUFF '15 FORNO 80	GASKET FOR 80 OVEN	1
8	EA4030003000000	LANA DI VETRO MANTO+FONDO 80 MUF'15	FIBERGLASS MANTLE + BOTTOM 80	1
9	EA4030004000000	LANA DI VETRO SCHIENA 80 MUFF'15	FIBERGLASS OVEN BACK 80	1
10	EA4355002000000	MOLLA RICHIAMO SCARICO FUMI 645SLZV	SPRING	1
11	EA4355004000000	MOLLA FISS SONDA NTC FILO D1.2 INOX	SPRING	1
12	EA4361001000000	MOTORID GIR UL 50/60HZ L=25 STE '15	SPIT GEARED MOTOR UL	1
13	EA5265001000000	PERNO REG SCARICO VAPORI MUFF '15		1
14	EA6011003000000	RESIST 2100W 230V CIRC '15	CIRCULAR RESISTANCE W2100 V230	1
15	EA6011004000000	RESIST 3350W 230V CIE+GR 80 '15 ABB	TOP/GRILL RESISTANCE 80 W3350 V230	1
16	EA6011005000000	RESIST 1470W 240V SUOLA 80 '15	BOTTOM RESISTANCE 80 W1470 V240	1
17	EA6551005000000	SONDA PT1000 PIROLIT/PIZZA/TFT	PROBE	1
18	EA6580001000000	SPIEDO FORNO 80/30" DIAG	TRANSVERSE SPIT 80/30"	1
19	EA6678001000000	SUPPORTO GRIGLIA LAT MUFF '15	GRILL SIDE SUPPORT (OVEN)	8
20	EA6678002000000	SUPP DX ASTA SPIEDO MUF 15 60/70/80	SPIT SUPPORT 90X60	1
21	EA6678011000000	SUPP SX ASTA SPIEDO MUF 15 60/70/80	SPIT SUPPORT 90X60	1
22	EA6867001000000	TERMOATTUATORE A CERA 10.0331.07	DAMPER	1
23	EF0898001030000	CAVITA' MUFF 80 MULT '15	80 CM OVEN MUFFLE	1
24	EG4364005000000	MOTOV RADIALE COMPL UL MUFF 30" SO		1
25	EL1070001030000	COPRIVENTOLA MUFF 80 '15 GREZZA	FAN COVER 80 ENAMELLED	1
26	EL4053003030000	LECCARDA 80/90 GREZZA '15	ENAMELLED DRIPPING PAN 80/90	1
27	EP6001003080008	REGOLATORE FLUSSO SCARICO VAPOR '15		1
28	ES2195001010000	FERMARES INF MUFF 80 '15	HEAT ELEMENT STOP	1
29	ES5415006010000	PORTARES INF FO 80 ZN	RESISTANCE HOLDER	1
30	ES6678017010000	SUPPORTO ATTUATORE A CERA '15	WAX ACTUATOR SUPPORTO	1





UM12FDNS3\_SSC

02/07/2020

N°	Cod	Descrizione	Inglese	Qtà
1	EA0888001000000	CAMINO SCA VAP CUC/FOR '15 H=24	CHIMNEY DISCHARGE STEAM KITCHEN	1
2	EA1201007000000	DADO ES M4 DIN 980M INS/MET INOX A2	NUT	2
3	EA2135002000000	FARETTO AL 120V 25W MUFF '15 UL/CSA	LAMP HOLDER + LAMP	1
4	EA2631008000000	GRIGLIA FORNO 30 cm '15	OVEN GRID	1
5	EA2632002000000	GRIGLIA LAT MUFF '15 5 CORSIE	OVEN SIDE GRILL	2
6	EA2634001000000	GRIGLIA SUPPORTO GIRAR FO 30 cm '15	SPIT SUPPORT	1
7	EA2684003000000	GUARN MUFF '15 FORNO 30	OVEN GASKET	1
8	EA4030010000000	LANA DI VETRO SCHIENA FO 30CM '15	FIBERGLASS OVEN BACK	1
9	EA4030012000000	LANA DI VETRO MANT+FOND FO 30CM '15	FIBERGLASS MANTLE+BOTTOM	1
10	EA4355004000000	MOLLA FISS SONDA NTC FILO D1.2 INOX	SPRING	1
11	EA4361001000000	MOTORID GIR UL 50/60HZ L=25 STE '15	SPIT GEARED MOTOR UL	1
12	EA6011011000000	RESIST 2300W 230V CIE+GR 30 '15	TOP/GRILL RESISTANCE W2300 V230	1
13	EA6011012000000	RESIST 800W 230V SUOLA 30 '15	TOP/GRILL RESISTANCE W800 V230	1
14	EA6551001000000	SONDA TEMPERATURA NTC L=800	PROBE	1
15	EA6580002000000	SPIEDO FORNO 30/40 MUFF '15	TRANSVERSE SPIT 30/40	1
16	EA6678001000000	SUPPORTO GRIGLIA LAT MUFF '15	GRILL SIDE SUPPORT (OVEN)	8
17	EF0898003030000	CAVITA' MUFF 30 ELETTR STAT '15 GR	GAS MUFFLE 30	1
18	EL4053001030000	LECCARDA h=25 MUFF '15 30 cm	DRIPPING PAN	1
19	ES2195003010000	FERMARES INF MUFF 30 '15	HEAT ELEMENT STOP	1
20	ES5415010010000	PORTARESISTENZA INF FO 30 ZN	RESISTANCE HOLDER	1
21	ES6001001000000	REGOLATORE SCARICO VAPORI MUFF' 15	VAPOR DISCHARGE REGULATOR	1