

ILVE S.p.a.

UMD10FDQNSE3_SSC

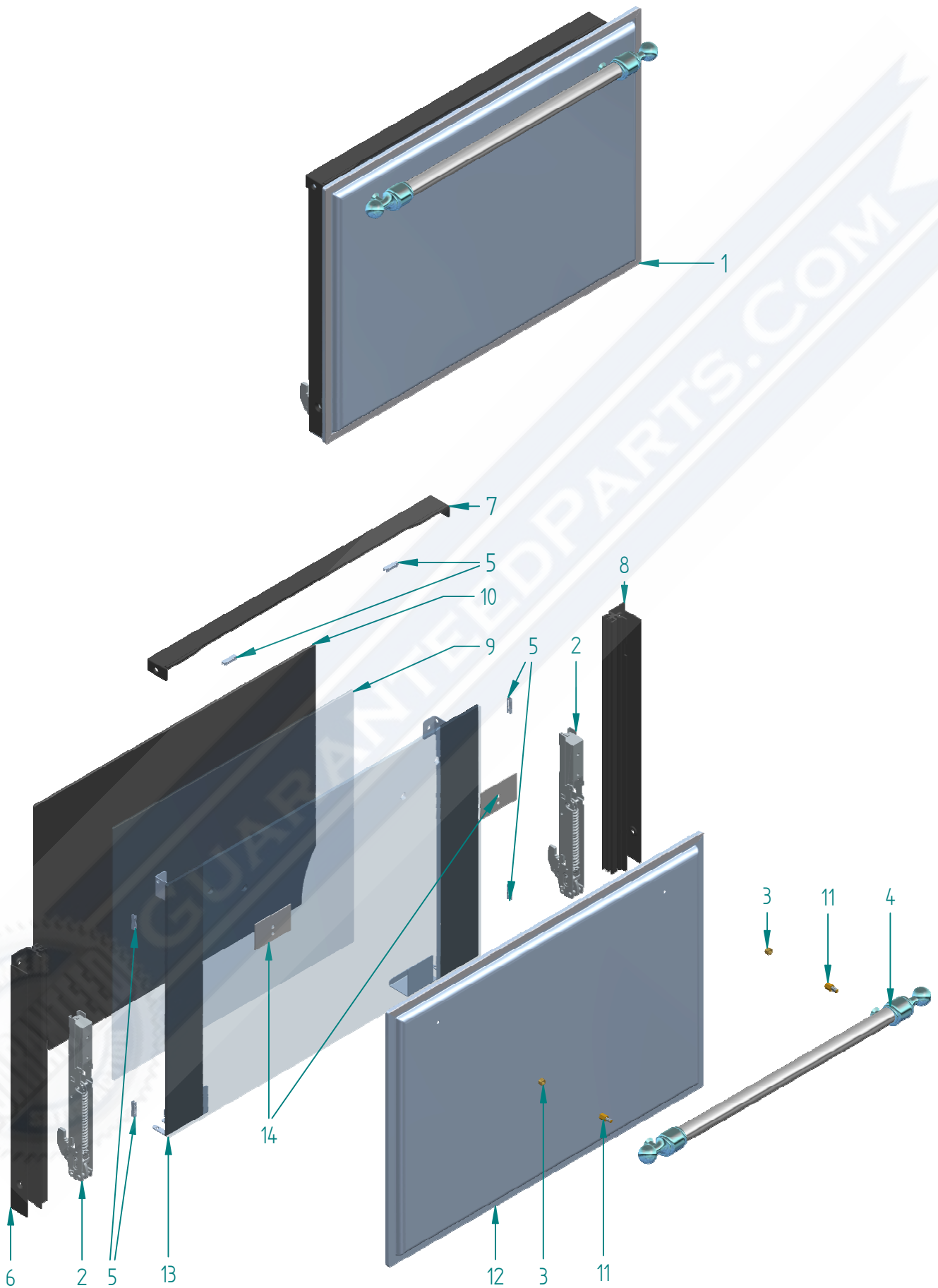
CUCINA MAJ-QN 100 F-D WD USA INO-CR

28/09/2020

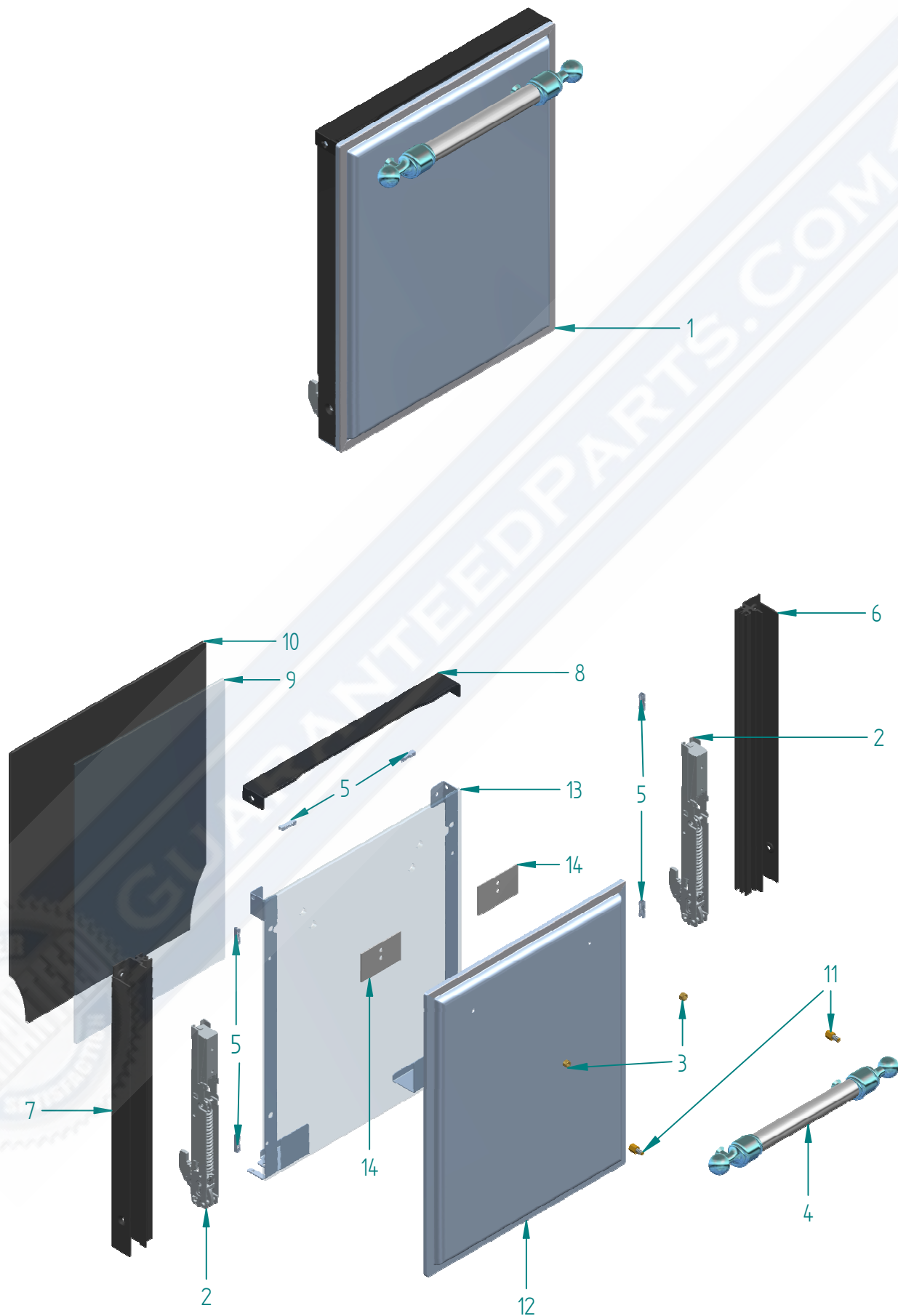


 **ILVE**

Live, Cook, Love.



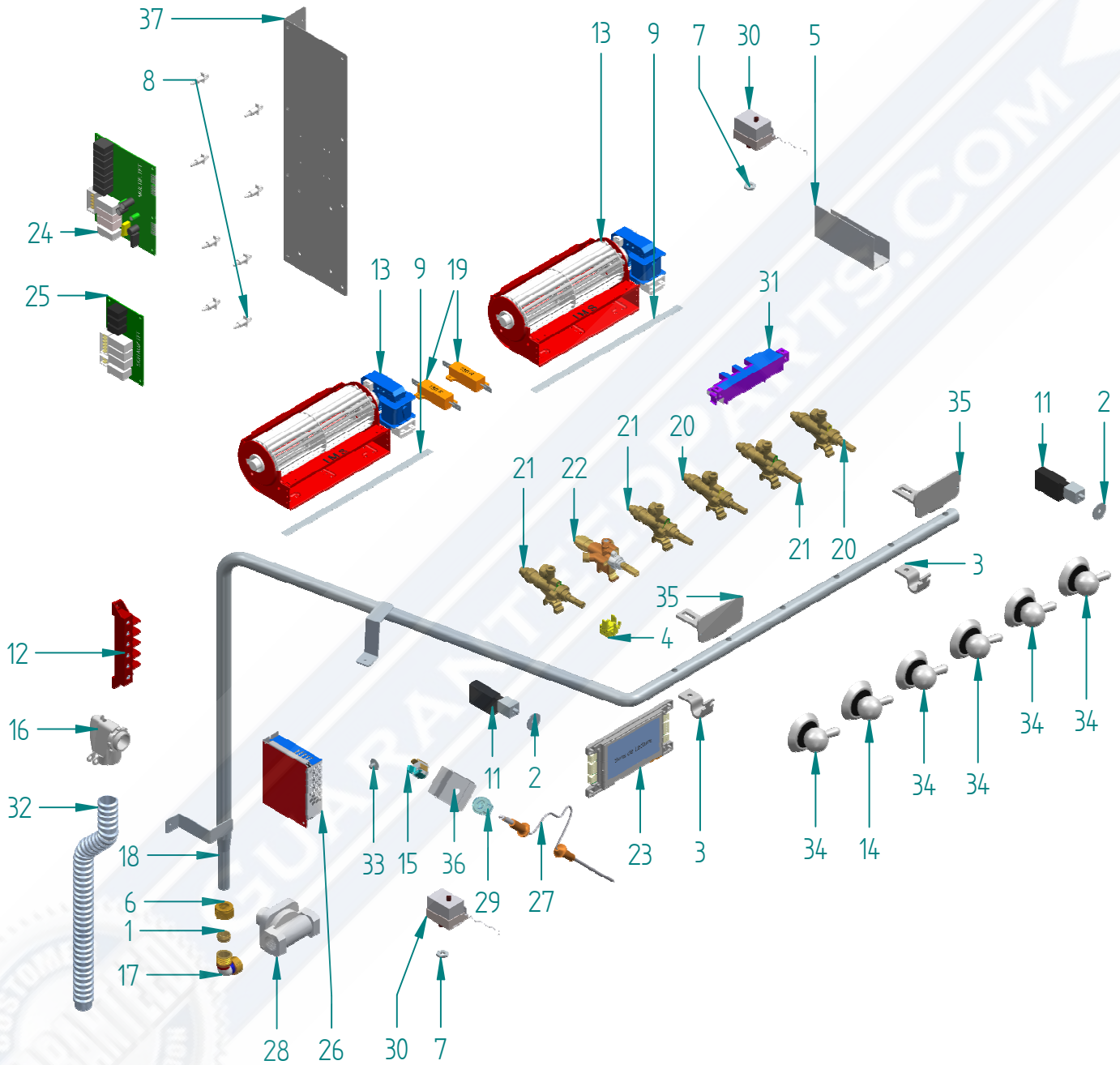
N°	Cod	Descrizione	Inglese	Qtà
1	EG9622002000808	PORTA COMPL 60 3V MD10QN INOX-CROMO	TRIPLE GLASS 60 MD10-QN DOOR/ST	1
2	EA0916003000000	CERNIERA POR FO 60 MJ/STD '15 SOFT	OVEN DOOR HINGE 60 MJ / STD '15	2
3	EA1290002000000	DISTANZIALE OT H=5,5 MANIG POR INOX	BRASS SPACER FOR HANDLE	2
4	EA4270009000008	MAN/CORRIM CROMO MAJEST D=22 I=420	CHROME HANDLE MAJESTIC D=22 I=420	1
5	EA4355001000000	MOLLA (CLIP FISSAGGIO) VETRO INTERM	SPRING	6
6	EA5890005000000	PROFILO GUIDA VET SX NERO '15	INSIDE PROFILE	1
7	EA5890006000000	PROFILO GUIDA VET SUP 60 NERO '15	UPPER PROFILE	1
8	EA5890014000000	PROFIL GUI VET DX NERO MD10 M12 P12	INSIDE PROFILE	1
9	EA7814008110000	VETRO INTERMEDIO 60 MUFF '15	INSIDE DOOR GLASS	1
10	EA7814033110000	VETRO INTERNO PO 60 MUFF '15 NERO	INSIDE DOOR GLASS	1
11	EA7851005000000	VITE APP VE EST MAJ M5 L19 CH8 OTT	SCREW	2
12	EG5405044000808	PORTA+COR 60 M07/15 MD10 QN INOX-CR	DOOR+FRAMES 60 M07/15 MD10 QN	1
13	EG9860005000000	VETRO+SQ PORTA 60 MD10 '15	DOOR GLASS	1
14	ES6060001010000	RINFORZO MAN PO MAJ-FRON CASS PT100	REINFORCEMENT	2



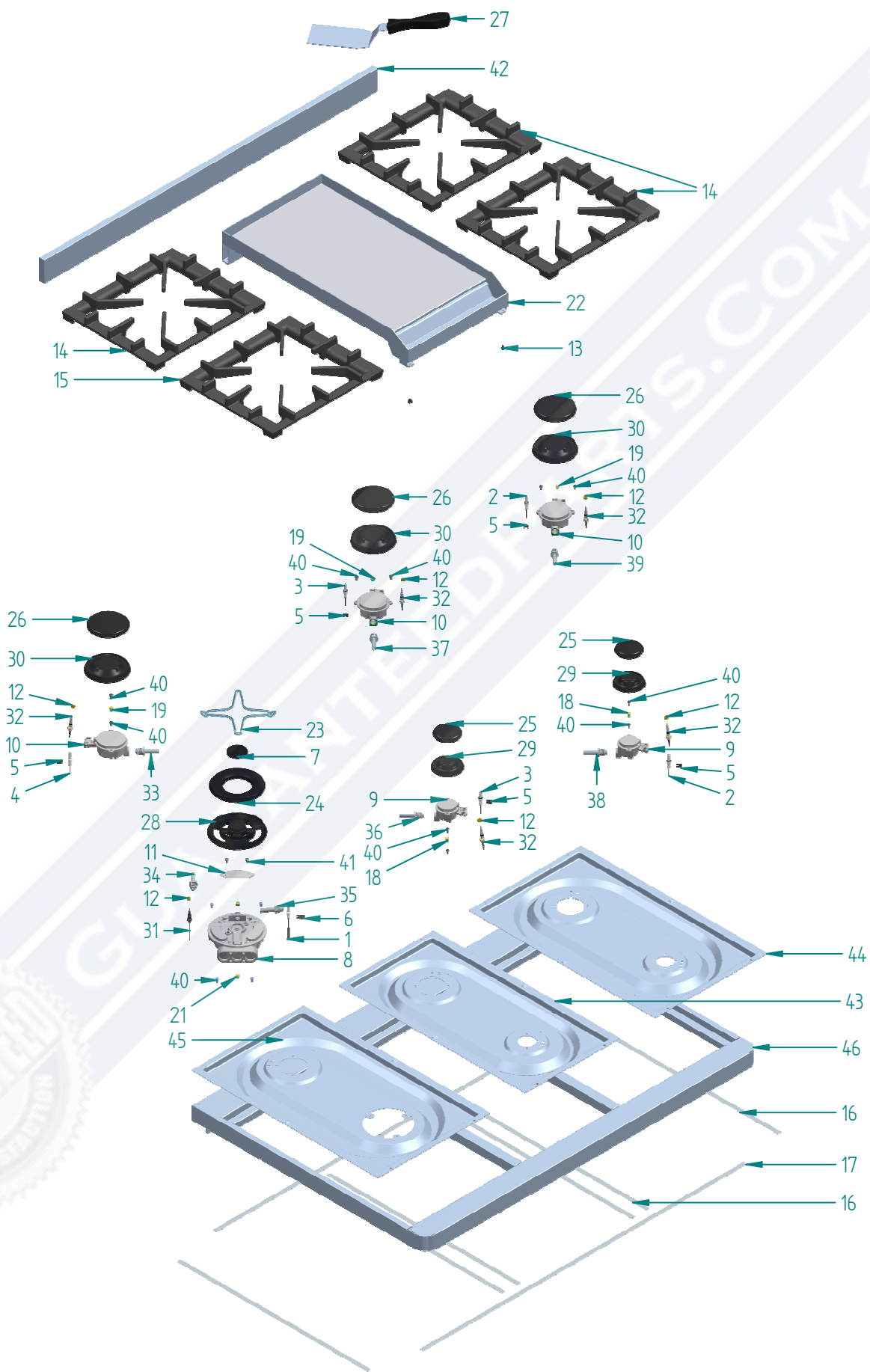
N°	Cod	Descrizione	Inglese	Qtà
1	EG9620002000808	PORTA COMP 30 3V MD10 M12QN INOX-CR	TRIPLE GLASS 30 MAJ-QN DOOR/ST	1
2	EA0916006000000	CERNIERA POR FO 30 MAJ/STD '15 SOFT	30 OVEN DOOR HIN	2
3	EA1290002000000	DISTANZIALE OT H=5,5 MANIG POR INOX	BRASS SPACER FOR HANDLE	2
4	EA4270008000008	MANIGLIONE CROMO MAJEST D=22 I=195	MAJESTIC CHROME HANDLE D=22 I=195	1
5	EA4355001000000	MOLLA (CLIP FISSAGGIO) VETRO INTERM	SPRING	6
6	EA5890004000000	PROFILO GUIDA VET DX NERO '15	INSIDE PROFILE	1
7	EA5890005000000	PROFILO GUIDA VET SX NERO '15	INSIDE PROFILE	1
8	EA5890010000000	PROFILO GUIDA VET SUP 30 NERO '15	UPPER PROFILE	1
9	EA7814026110000	VETRO INTERMEDIO 30 MUFF '15	INSIDE DOOR GLASS	1
10	EA7814035110000	VETRO INTERNO 30 CUC NOBLESSE	INSIDE DOOR GLASS	1
11	EA7851005000000	VITE APP VE EST MAJ M5 L19 CH8 OTT	SCREW	2
12	EG5405042000808	PORTA+CORNICI 30 MD10 M12QN INOX-CR	DOOR+FRAMES 30 MD10 M12QN INOX-CR	1
13	EG9860002000000	VETRO+SQ PORTA 30 M12	DOOR GLASS	1
14	ES6060001010000	RINFORZO MAN PO MAJ-FRON CASS PT100	REINFORCEMENT	2

GUARANTEED PART





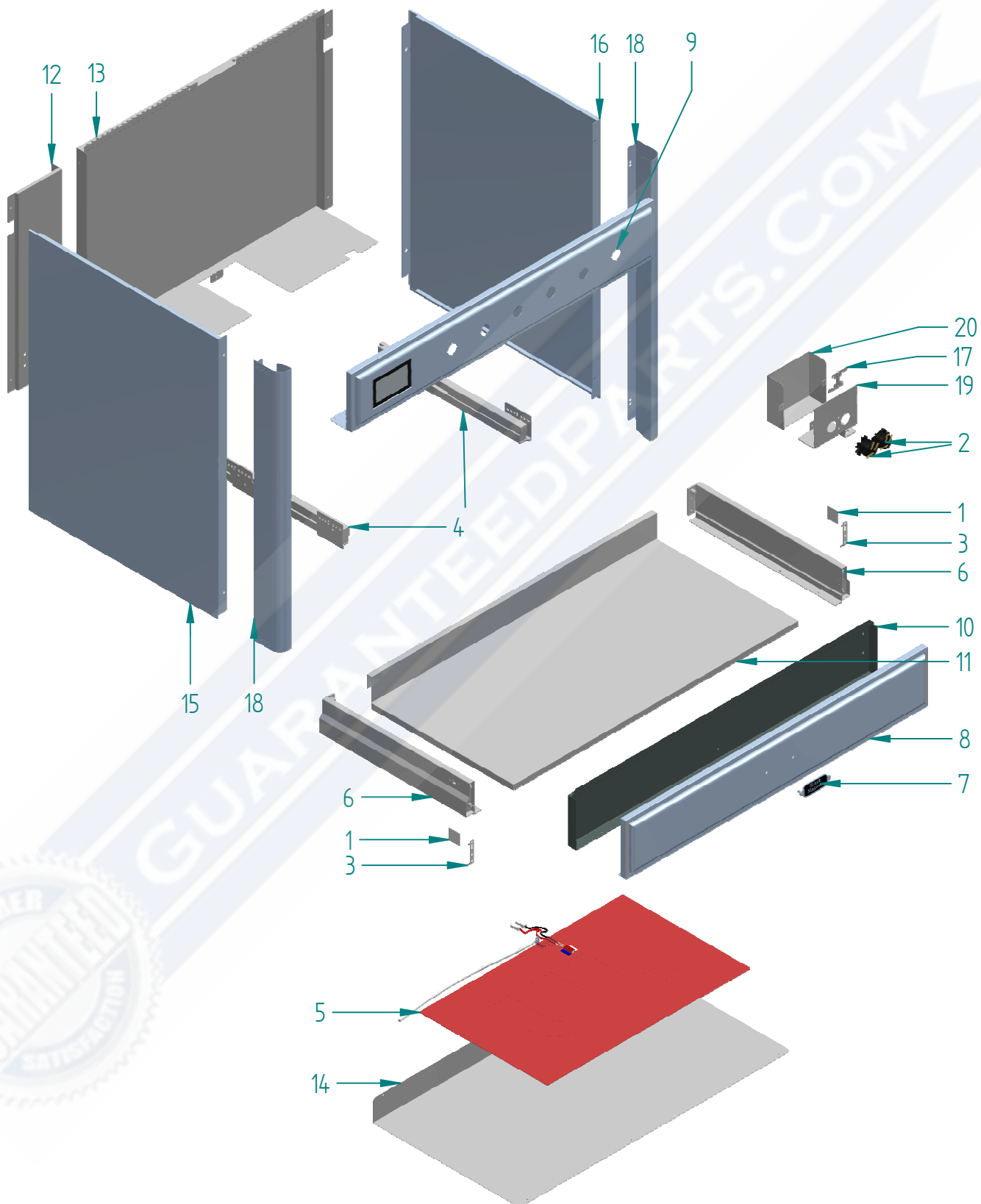
N°	Cod	Descrizione	Inglese	Qtà
1	EA0676001000000	BICONO 14MM RACCORDO PORTAGOMMA	14MM BICONO HOSE CONNECTOR	1
2	EA0755001000000	BOCCOLA PERNO MICRO LUCE FORNO '15	MICRO LIGHT OVEN PINS '15	2
3	EA0776001000000	BRIGLIA RAMPA FORNO ELZN	OVEN RAMP CLAMP	2
4	EA0877018000000	CATENARIA MICRO CUC 6F UL	WIRING	1
5	EA0895001000000	CARTONCINO IS NOMEX TRAS 6F 190X152	NOMEX INSULATING CARD IGNITION TRAN	1
6	EA1201001000000	DADO 1/2 D.14 RACCORDO PORTAGOMMA	NUT 1/2 D.14 HOSE CONNECTOR	1
7	EA1201008000000	DADO ES M1x10 TERM SIC UL RIARM MAN	NUT	2
8	EA1290003000000	DISTANZ PER PCB FORNO TC 5506AA00	SPACER	8
9	EA2683011000000	GUARNIZIONE MOTOV TANG ANTIV L=270	GASKET FOR BUILT IN HOB L=270	2
10*	EA4256004000108	MANOPOLA MAJES GAS CUC DUAL NE INOX		1
11	EA4330001000000	MICROINT LUCE FORNO+SUPP '15 3 FAST	MICRO SWITCH	2
12	EA4356002000000	MORSETTIERA 5 POLI+TERRA UL	TERMINAL BOARD FV273/6	1
13	EA4365012000000	MOTOV TANG L=180 120V CLAS H UL IMS	UL COOLING FAN L=180	2
14	EA5410001000008	MAN POM SFERA D=30 OTTONE NICHELATO		1
15	EA5420001000000	PORTASONDA PROGRAMM ELETTR	PROBE HOLDER	1
16	EA5978007000000	RACCORDO TUBO FLEX 90° 3/4" UL/CSA	CONNECTOR	1
17	EA5978012000000	RACC CURVO PORTAG USA 1/2"G-1/2"NPT	HOSETAIL	1
18	EA5980009000000	RAMPA CUCINA 6 FORI MD10 '15	RAMP	1
19	EA6011021000000	RESISTORE CERAM 50W 130R	HEATING ELEMENT	2
20	EA6125012000000	RUB ALLOG MICRO CUC VALV SR 32 JACK	VALVE + S.V.	2
21	EA6125013000000	RUB ALLOG MICRO CUC VALV R 40 JACK	VALVE + S.V.	3
22	EA6125017000000	RUB ALLOG MICRO CUC VALV DUAL JACK	VALVE + S.V.	1
23	EA6254017000000	SCHEDA EL DISPLAY TC GRUPPO TFT	TFT SCREEN CARD	1
24	EA6254018000000	SCHEDA POTENZA MULTIFUNZIONE TFT	POWER BOARD	1
25	EA6254019000000	SCHEDA AUX STATICA TFT	POWER BOARD	1
26	EA6254029000000	SCHEDA ALIM 35W DISPLAY TFT USA		1
27	EA6551002000000	SONDA CARNE PROGR ELETTR	PROBE 220/240V	1
28	EA6658001000000	STABILIZZATORE PRESSIONE CSA	PRESSURE GAS REGULATOR	1
29	EA6835002000000	TAPPO PORTASONDA	COVER	1
30	EA6871007000000	TERMOSTATO SIC FORN UL RIARMO MAN		2
31	EA7026012000000	TRASFORMATORE ACC 6F BR SAB UL	6 WAY EL. IGN. TRANSFORMER (QUICK S	1
32	EA7080006000000	TUBO FLEX PROT CAVI (3/4) UL L=120	CONDUIT	1
33	EA7851003000000	VITE AL COPRIFORO SONDA CARNE-GIRAR	CLAMP	1
34	EG9491003000108	MANOPOLA MAJ GAS CUCINA NERO-CRO	GAS KNOB FOR MAJ COOKER / CHROME	5
35	ES6601019010000	SQUADRETTA FERMAR AL CRU CUC MD10	BRACKET	2
36	ES6678021010000	SUPPORTO PORTASONDA 948-MAJ	PROBE HOLDER SUPPORT	1
37	ES6678068010000	SUPPORTO SCHEDE CUC MAJ '15	ELECTRONIC BOARD SUPPORT	1



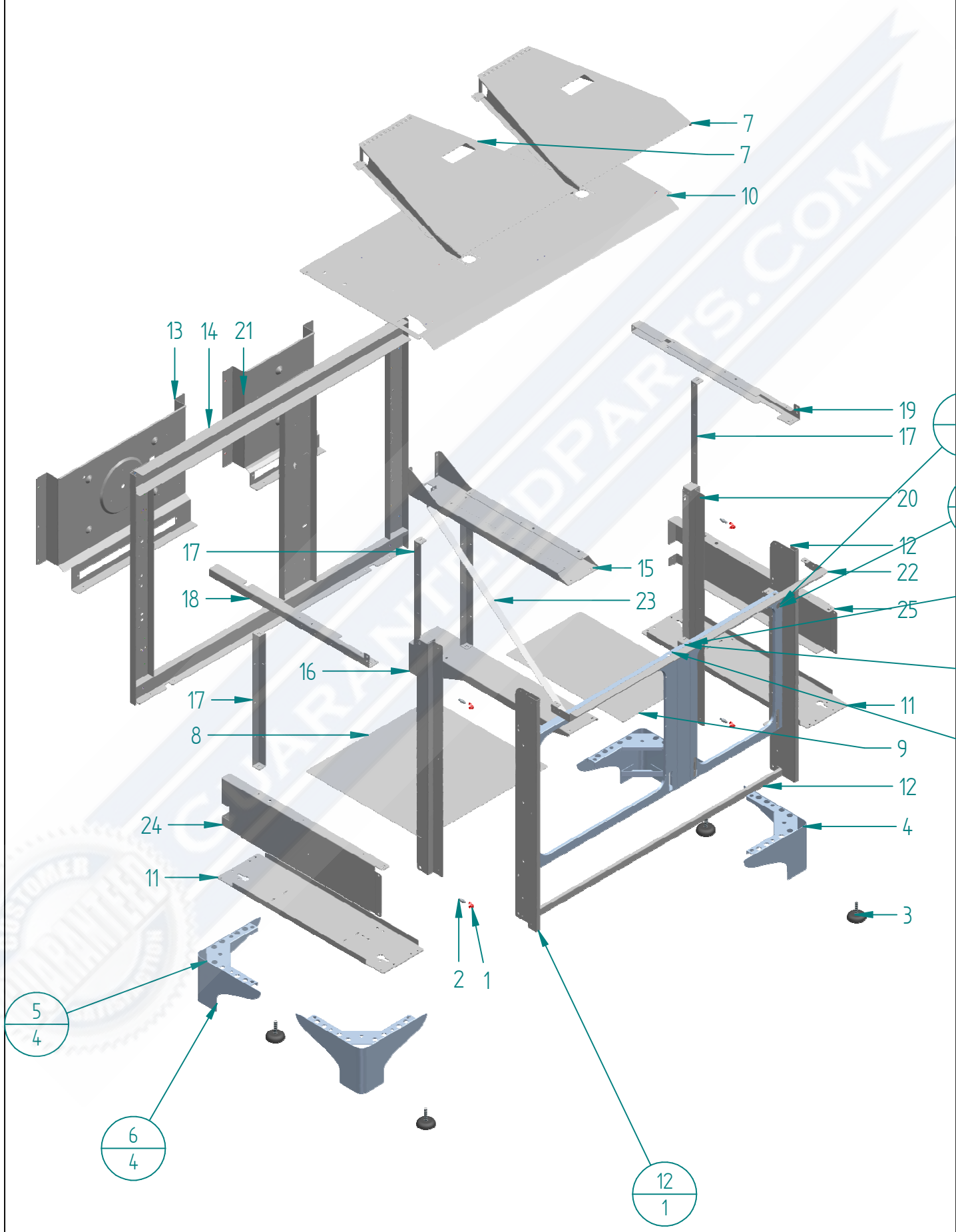
CUCINA MAJ-QN 100 F-D WD USA INO-CR

28/09/2020

N°	Cod	Descrizione	Inglese	Qtà
1	EA0885001000000	CANDELA IS TC SABAF L=600	IGNITION PLUG TC L=600	1
2	EA0885003000000	CANDELA IS P/R/SR SABAF L=400	IGNITION PLUG P/R/SR L=400	2
3	EA0885004000000	CANDELA IS P/R/SR SABAF L=600	IGNITION PLUG P/R/SR L=600	2
4	EA0885005000000	CANDELA IS P/R/SR SABAF L=850	IGNITION PLUG P/R/SR L=850	1
5	EA1026001000000	CLIP CANDELETTA IS R-SR-P	FIXING CLIP R-SR-P	5
6	EA1026002000000	CLIP CANDELETTA IS DCC + HEA SABAF	FIXING CLIP DCC	1
7	EA1051001000000	COPRISP IS AUX OTT/NERO LOGO ILVE	FLAME DIVIDER COVER AUX	1
8	EA1052002000000	COPPA BRUCIATORE IS DUAL	BURNER SUPPORT DUAL	1
9	EA1052003000000	COPPA BRUCIATORE IS SR	BURNER SUPPOR SR	2
10	EA1052004000000	COPPA BRUCIATORE IS R	BURNER SUPPOR R	3
11	EA1053001000000	COPRIFORO LAMIERINO CHIUS COPPA IS	HOLE COVER	1
12	EA1201006000000	DADO TERMOCOP M6X0.75 OT CH 8 H3.5	NUT	6
13	EA2608003000000	GOMMINO GRIGLIA PROFESSIONAL	RUBBER FOR GRID	4
14	EA2630005000000	GRIGLIA MAJ FORO MM80 (330X280) VET	MAJESTIC GRILL 80MM HOLE	3
15	EA2630006000000	GRIGLIA MAJ FORO MM120 (330X280)VET	MAJESTIC GRILL 120MM HOLE	1
16	EA2683008000000	GUARNIZIONE RACCOGLIGOCCE L=570	GASKET L=570	6
17	EA2683009000000	GUARNIZIONE RACCOGLIGOCCE L=970	GASKET L=970	2
18	EA3262002000000	INIETTORE 0211/97	INJECTOR 0211/97	2
19	EA3262012000000	INIETTORE 0103/130	INJECTOR 0103/130	3
20*	EA3262037000000	INIETTORE 1048/142	INJECTOR 1048/142	1
21	EA3262041000000	INIETTORE 0101/70	INJECTOR 0101/70	1
22	EA5310005000000	PIASTRA FRY TOP 2F PROFESS/MAJESTIC	PROFESS/MAJESTIC FRY TOP PLATE	1
23	EA6051001000000	RIDUZIONE FUOCHI FILO CROMATO	RING ADAPTER GRILL	1
24	EA6576001000000	SPARTIF IS DCC+DUAL OTT NERO	FLAME DIVIDER DCC+DUAL	1
25	EA6576002000000	SPARTIFIAMMA IS SR OTT NERO	FLAME DIVIDER SR	2
26	EA6576003000000	SPARTIFIAMMA IS R OTT NERO	FLAME DIVIDER R	3
27	EA6577001000000	SPATOLA FRY TOP MARCHIO ILVE		1
28	EA6826001000000	TAZZINA IS (SUPPL AL) DCC+DUAL NERO	BURNER CUP DCC	1
29	EA6826002000000	TAZZINA IS (SUPP AL) SR NERO	BURNER CUP SR	2
30	EA6826003000000	TAZZINA IS (SUPP AL) R NERO	BURNER CUP R	3
31	EA6868001000000	TERMOCOPPIA BIF JACK 45CM IS TC	THERMOCOUPLE 45 CM TC	1
32	EA6868003000000	TERMOCOPPIA BIF JACK 60CM IS P/R/SR	THERMOCOUPLE 60 CM P/R/SR	5
33	EA7077053000000	TUBETTO GAS MD106/FD-M127D POST SX	GAS PIPE	1
34	EA7077059000000	TUBETTO GAS MD106/FD ANT SX DC	GAS PIPE	1
35	EA7077060000000	TUBETTO GAS MD106/FD ANT SX AUX	GAS PIPE	1
36	EA7077062000000	TUBETTO GAS MD106/FD ANT CENTR	GAS PIPE	1
37	EA7077063000000	TUBETTO GAS MD106/FD POST CENTR	GAS PIPE	1
38	EA7077064000000	TUBETTO GAS MD10FD ANT DX	GAS PIPE	1
39	EA7077065000000	TUBETTO GAS MD10FD POST DX	GAS PIPE	1
40	EA7851001000000	VITE SUP FISS COPPA BRUC SABAF	SCREW	14
41	EA7851002000000	VITE INF FISSA COPPA BRUC SABAF	SCREW	2
42	ES0251005080008	ALZATINA CUC PD-MD10 L=1000 NO ASOL	BACK SPLASH FOR PD-MD10	1
43	ES5977016080008	RACCOGLIG P06 2F INOX Ilve/Sabaf	DRIP CATCHER / ST ST	1
44	ES5977017080008	RACCOGLIG P09 2F INOX Ilve/Sabaf	DRIP CATCHER / ST ST	1
45	ES5977018080008	RACCOGLIG P09 1F+TC INOX Ilve/Sabaf	DRIP CATCHER 1 BURN+TC	1
46	ES6860020000008	TELAIO PIANO CUC MD106	MD106 ST ST ROP FRAME	1



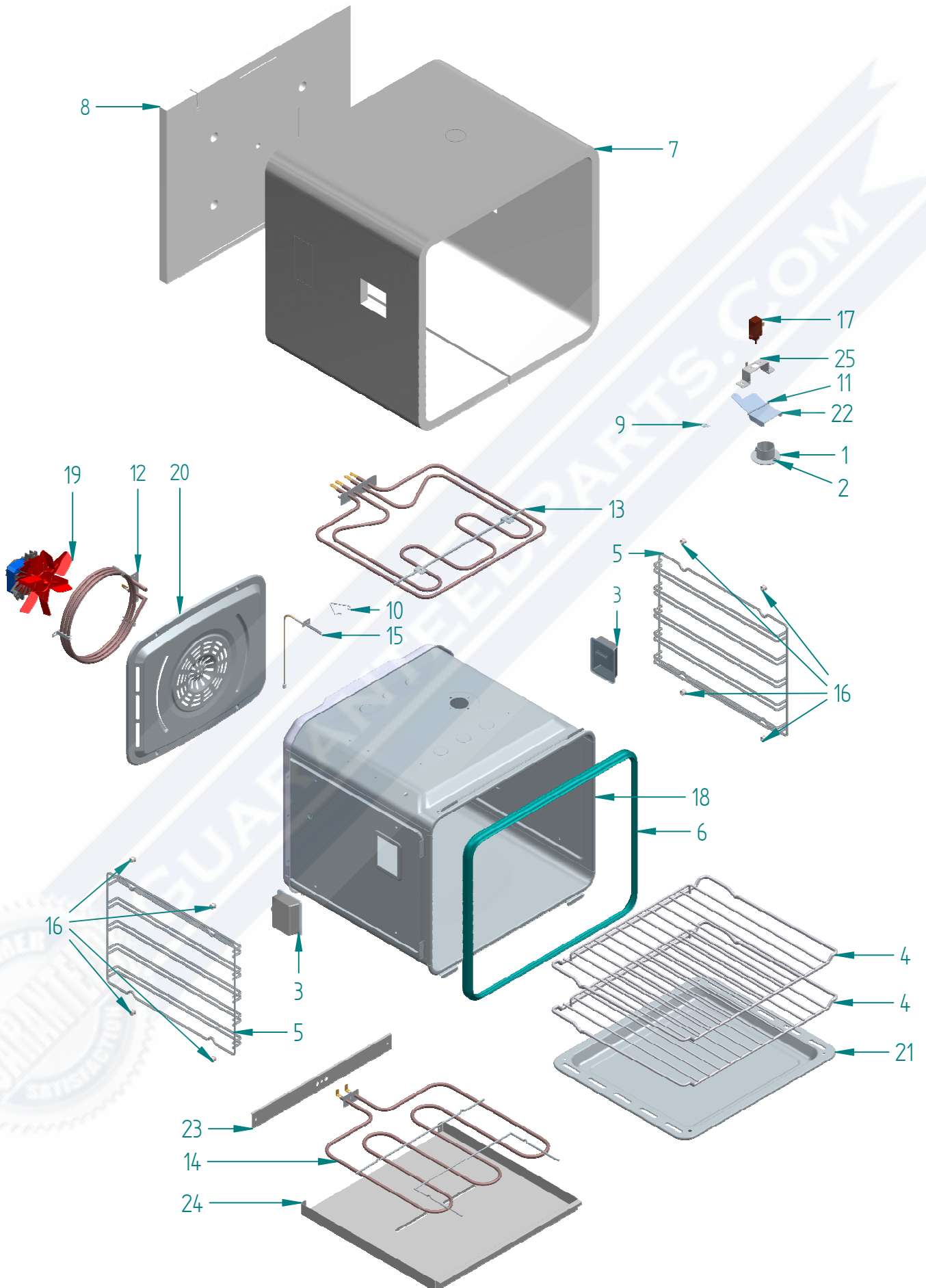
N°	Cod	Descrizione	Inglese	Qtà
1	EA1053002000000	COPRIFORO SPONDINA CLASSIC CASS CUC	HOLE COVER	2
2	EA1059001000000	CONNETTORE EL COMP CASSETT RISC CUC	ELECTRICAL CONNECTOR	2
3	EA2430001000000	GANCIO ARRESTO GUIDA CASS CUC	CLAMP	2
4	EA2690001000000	GUIDA CASS (COPPIA) CUC L450 40KG	DROWER GUIDE	1
5	EA6011013000000	RESISTENZA UL CASS RISC CUC 600W	RESISTANCE 600W	1
6	EA6585001000000	SPONDA (COPPIA) CASS CUC CLASSIC	SIDE	1
7	EA6827001000008	TARG MARCHIO MAJESTIC NERO NICHEL	PLATE	1
8	EG2330018000808	FRONTALE CASSETTO+CORNICI MD10 N-QN		1
9	EG9843007000808	CRUSCOT MD106N-QN+VET+CORN INOX-CR	COMPL CTRL BOARD+FRAME MD106N-QN	1
10	EL1055018010000	CONTROFRON CASS SCV +10mm MD10 ELZN	INSIDE DROWER FRONT	1
11	EL2305008010000	FONDO CASSETTO MD10 MUFF '15	DRAWER FUND MD10 '15	1
12	ES1068047010000	COPRISCH DX CUC MAJESTIC ELZN	BACK COVER DX MAJESTIC	1
13	ES1068050010000	COPRISCH SX CUC UMD10	BACK COVER SX UMD10	1
14	ES2307002010000	FONDO CASSETTO RISCALDATO MD10 '15	DROWER FRONT	1
15	ES4044007080008	LATERALE REMOV MAJ INOX SX+10mm	SIDE PANEL SX/ST ST	1
16	ES4044008080008	LATERALE REMOV MAJ INOX DX+10mm	SIDE PANEL DX/ST ST	1
17	ES5303001010000	PIASTRINA BLOCCO CONNETTORI M09	LOCK CONNECTORS	1
18	ES5435016080008	PROFILO REMOV DX-SX MD10 +10mm INOX	PROFILE FOR M10 / ST.ST.	2
19	ES6651037010000	STAFFA SUPP CONNETTORI CASS RISC		1
20	ES6678063010000	SUPPORTO CONNETTORI CASS RISC MAJ	ELECTRICAL CONNECTOR BOX	1



CUCINA MAJ-QN 100 F-D WD USA INO-CR

28/09/2020

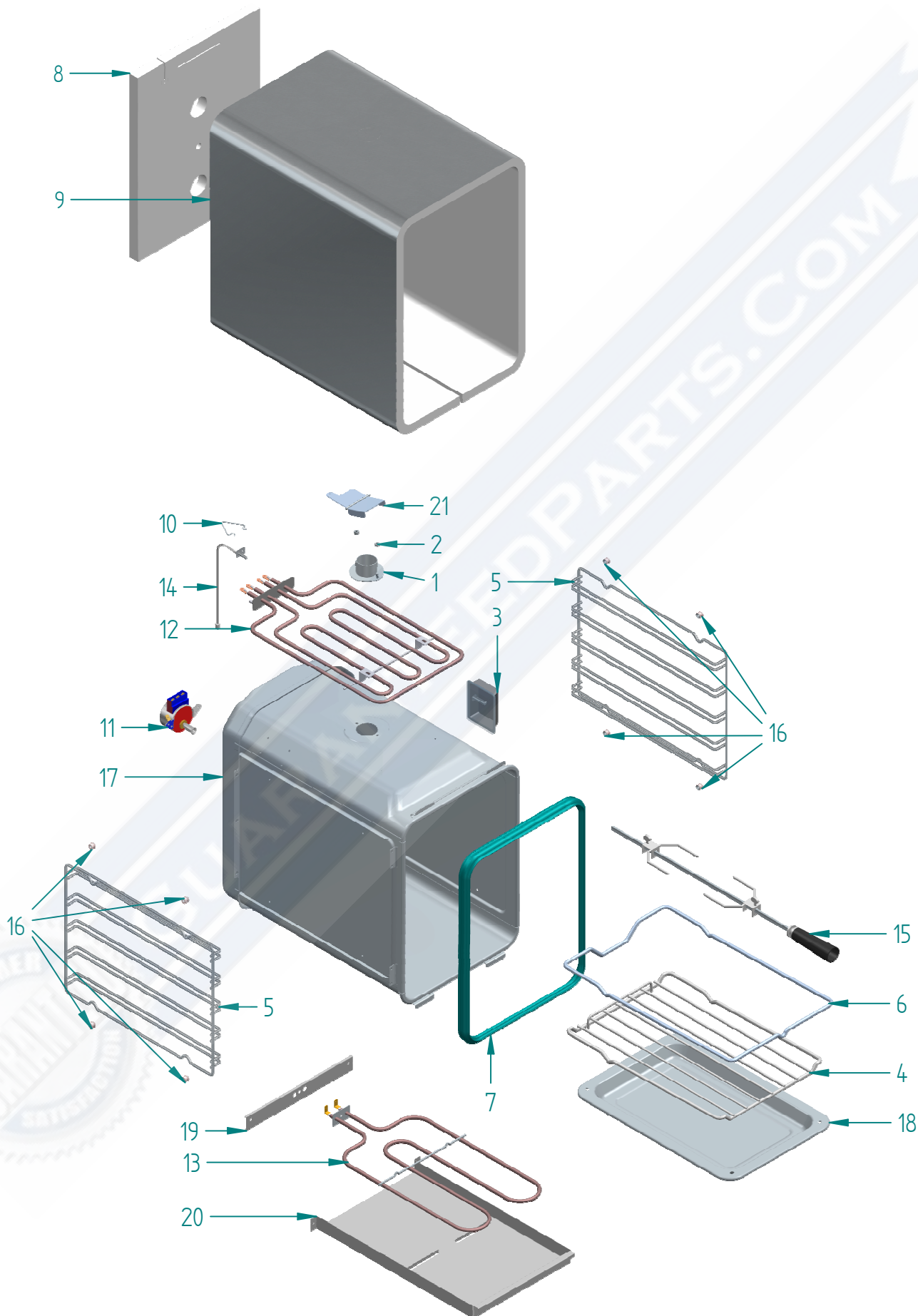
N°	Cod	Descrizione	Inglese	Qtà
1	EA4355003000000	MOLLA PERNO INN LAT REMOV	SPRING	4
2	EA5265003000000	PERNO INNESTO M4 LAT REMOV	STST PIN	4
3	EA5315003000000	PIEDINO GOMMA D.50 M8 H40 (FILETTO)	RUBBER FEET M8X5	4
4	EP5308001080008	PIEDINO CUC MAJ COMP FRONT H=140		4
5	EP5308002080008	PIEDINO CUC MAJESTIC COMP SUP		4
6	EP5308003080000	PIEDINO CUC MAJESTIC COMP INF		4
7	ES1058016010000	CONV 60 CUC M07/15-UMD10 '19 ELZN	AIR CONVEYER	2
8	ES2306002010000	FONDO CUCINA ELETT 60 ELZN	ELECTRIC COOKER BOTTOM 60 CM ELZN	1
9	ES2306004010000	FONDO CUCINA ELETT 30 ELZN	ELECTRIC COOKER BOTTOM 30 CM ELZN	1
10	ES5245004010000	PARACALORE CUC MD10 ELZN	100 CM COOKER HEAT SHIELD	1
11	ES6651016010000	STAFFA PIEDINI CUCINA MAJESTIC ZN	FEET STIRRUP FOR MAJESTIC COOKER	2
12	ES6671013000000	STRUTTURA CUCINA ANT MD10	FRONT COOKER STRUCTURE MD10	1
13	ES6671028010000	STRUTT CUC 60 PANNELLO POST ELZN	REAR PANEL FRAME	1
14	ES6671033000000	STRUTTURA CUCINA POST MD-UMD10	REAR COOKER STRUCTURE MD-UMD10	1
15	ES6671050010000	STR CUC MD10-M12/15 LIS SUP CE ELZN	CENTRAL HIGH STRUCTURE STRIP	1
16	ES6671051010000	STR CUC MD10-M12/15 LIS INF CE ELZN	CENTRAL LOWER STRUCTURE STRIP	1
17	ES6671053010000	STRUTT CUC SUPP SCHIENA MAJESTIC	OVEN BACK SUPPORT	4
18	ES6671056010000	STRUT CUC MAJESTIC LIST SUP SX ELZN	STRUCTURE HIGH STRIP SX	1
19	ES6671057010000	STRUT CUC MAJESTIC LIST SUP DX ELZN	STRUCTURE HIGH STRIP DX	1
20	ES6671061010000	STRUTTURA CUC MD10 COMP PROF ELZN		2
21	ES6671062010000	STRUTT CUC 30 PANNELLO POST ELZN	REAR PANEL FRAME	1
22	ES6671065010000	STRUTT CUC MD10 LIST CRUSE ELZN	DASHBOARD STOPPER	1
23	ES6671090010000	STRUTTURA CUC TIRANTE MAJESTIC ELZN	ROD MAJESTIC	1
24	ES6678066010000	SUP GUI CAS SX M07-09-10-12-15 ELZN	STRIP	1
25	ES6678067010000	SUP GUI CAS DX M07-09-10-12-15 ELZN	STRIP	1



CUCINA MAJ-QN 100 F-D WD USA INO-CR

28/09/2020

N°	Cod	Descrizione	Inglese	Qtà
1	EA0888001000000	CAMINO SCA VAP CUC/FOR '15 H=24	CHIMNEY DISCHARGE STEAM KITCHEN	1
2	EA1201007000000	DADO ES M4 DIN 980M INS/MET INOX A2	NUT	2
3	EA2135002000000	FARETTO AL 120V 25W MUFF '15 UL/CSA	LAMP HOLDER + LAMP	2
4	EA2631006000000	GRIGLIA FOR 60 MUFF '15	GRID FOR 60 MOLD '15	2
5	EA2632002000000	GRIGLIA LAT MUFF '15 5 CORSIE	OVEN SIDE GRILL	2
6	EA2684005000000	GUARN MUFF '15 FORNO 60	OVEN GASKET	1
7	EA4030006000000	LANA DI VETRO MANTO+FONDO 60 MUF'15	FIBERGLASS	1
8	EA4030007000000	LANA DI VETRO SCHIENA 60 MUFF '15	FIBERGLASS	1
9	EA4355002000000	MOLLA RICHIAMO SCARICO FUMI 645SLZV	SPRING	1
10	EA4355004000000	MOLLA FISS SONDA NTC FILO Ø1.2 INOX	SPRING	1
11	EA5265001000000	PERNO REG SCARICO VAPORI MUFF '15		1
12	EA6011003000000	RESIST 2100W 230V CIRC '15	CIRCULAR RESISTANCE W2100 V230	1
13	EA6011006000000	RESIST 3100W 230V CIE+GR 60 '15	TOP/GRILL RESISTANCE	1
14	EA6011007000000	RESIST 1100W 230V SUOLA 60 '15	BOTTOM/GRILL RESISTANCE	1
15	EA6551005000000	SONDA PT1000 PIROLIT/PIZZA/TFT	PROBE	1
16	EA6678001000000	SUPPORTO GRIGLIA LAT MUFF '15	GRILL SIDE SUPPORT (OVEN)	8
17	EA6867001000000	TERMOATTUATORE A CERA 10.0331.07	DAMPER	1
18	EF0898002030000	CAVITA' MUFF 60 MULT '15 GREZZA	60 CM OVEN MUFFLE	1
19	EG4364005000000	MOTOV RADIALE COMPL UL MUFF 30" SO		1
20	EL1070002030000	COPRIVENTOLA MUFF 60 '15 GREZZA	FAN COVER 60	1
21	EL4053004030000	LECCARDA 60 GREZZA '15	ENAMELLED DRIPPING PAN 60	1
22	EP6001003080008	REGOLATORE FLUSSO SCARICO VAPOR '15		1
23	ES2195002010000	FERMARES INF MUFF 60 '15	HEAT ELEMENT STOP	1
24	ES5415007010000	PORTARES INF FO 60 ZN	RESISTANCE HOLDER	1
25	ES6678017010000	SUPPORTO ATTUATORE A CERA '15	WAX ACTUATOR SUPPORTO	1



CUCINA MAJ-QN 100 F-D WD USA INO-CR

28/09/2020

N°	Cod	Descrizione	Inglese	Qtà
1	EA0888001000000	CAMINO SCA VAP CUC/FOR '15 H=24	CHIMNEY DISCHARGE STEAM KITCHEN	1
2	EA1201007000000	DADO ES M4 DIN 980M INS/MET INOX A2	NUT	2
3	EA2135002000000	FARETTO AL 120V 25W MUFF '15 UL/CSA	LAMP HOLDER + LAMP	1
4	EA2631008000000	GRIGLIA FORNO 30 cm '15	OVEN GRID	1
5	EA2632002000000	GRIGLIA LAT MUFF '15 5 CORSIE	OVEN SIDE GRILL	2
6	EA2634001000000	GRIGLIA SUPPORTO GIRAR FO 30 cm '15	SPIT SUPPORT	1
7	EA2684003000000	GUARN MUFF '15 FORNO 30	OVEN GASKET	1
8	EA4030010000000	LANA DI VETRO SCHIENA FO 30CM '15	FIBERGLASS OVEN BACK	1
9	EA4030012000000	LANA DI VETRO MANT+FOND FO 30CM '15	FIBERGLASS MANTLE+BOTTOM	1
10	EA4355004000000	MOLLA FISS SONDA NTC FILO Ø1.2 INOX	SPRING	1
11	EA4361001000000	MOTORID GIR UL 50/60HZ L=25 STE '15	SPIT GEARED MOTOR UL	1
12	EA6011011000000	RESIST 2300W 230V CIE+GR 30 '15	TOP/GRILL RESISTANCE W2300 V230	1
13	EA6011012000000	RESIST 800W 230V SUOLA 30 '15	TOP/GRILL RESISTANCE W800 V230	1
14	EA6551001000000	SONDA TEMPERATURA NTC L=800	PROBE	1
15	EA6580002000000	SPIEDO FORNO 30/40 MUFF '15	TRANSVERSE SPIT 30/40	1
16	EA6678001000000	SUPPORTO GRIGLIA LAT MUFF '15	GRILL SIDE SUPPORT (OVEN)	8
17	EF0898003030000	CAVITA' MUFF 30 ELETTR STAT '15 GR	GAS MUFFLE 30	1
18	EL4053001030000	LECCARDA h=25 MUFF '15 30 cm	DRIPPING PAN	1
19	ES2195003010000	FERMARES INF MUFF 30 '15	HEAT ELEMENT STOP	1
20	ES5415010010000	PORTARESISTENZA INF FO 30 ZN	RESISTANCE HOLDER	1
21	ES6001001000000	REGOLATORE SCARICO VAPORI MUFF '15	VAPOR DISCHARGE REGULATOR	1