

**ILVE S.p.a.**

UMDI10QNE3\_SSC

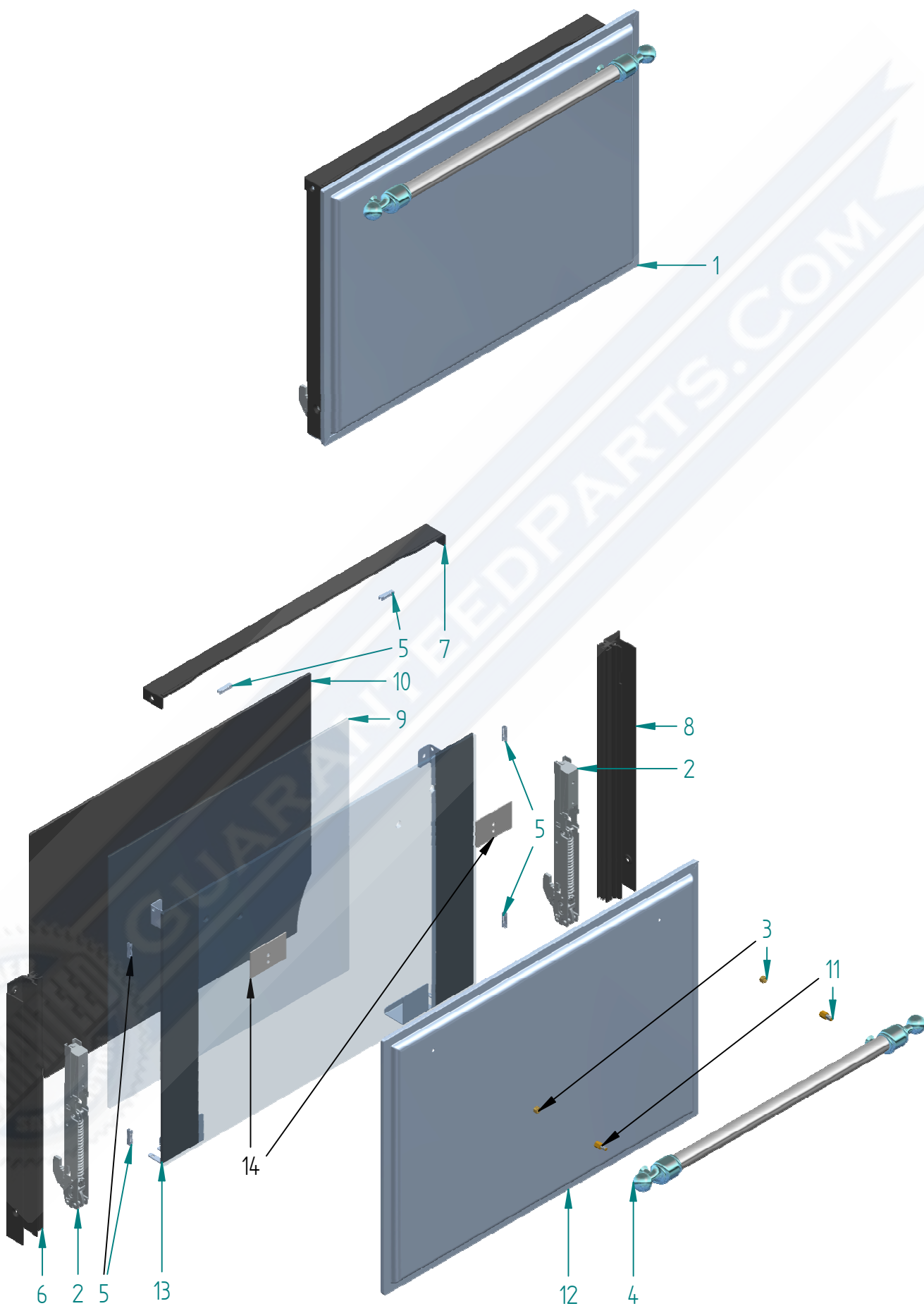
CUCINA MAJ-N M10 TFT 300°C USA

02/10/2020

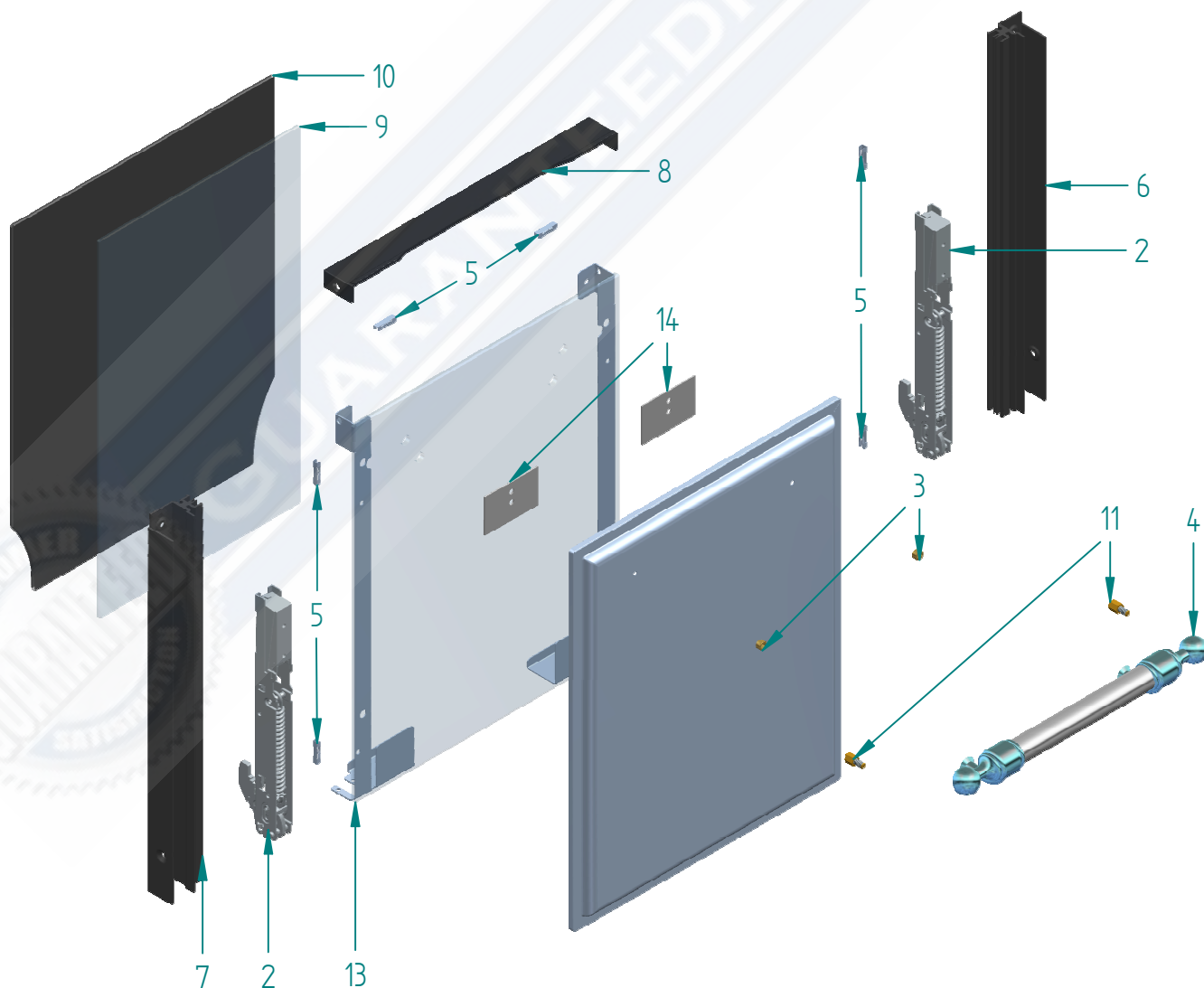
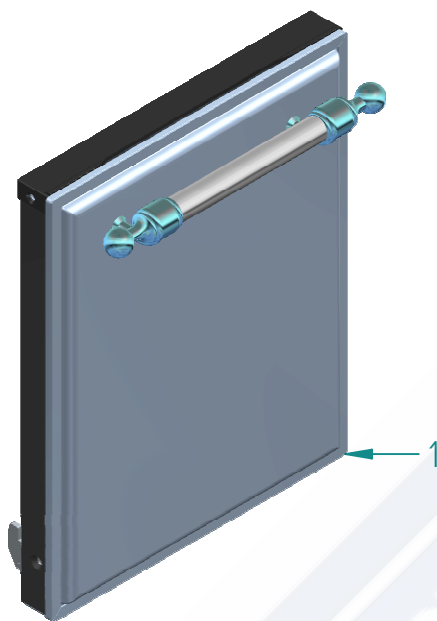


 **ILVE**

Live, Cook, Love.



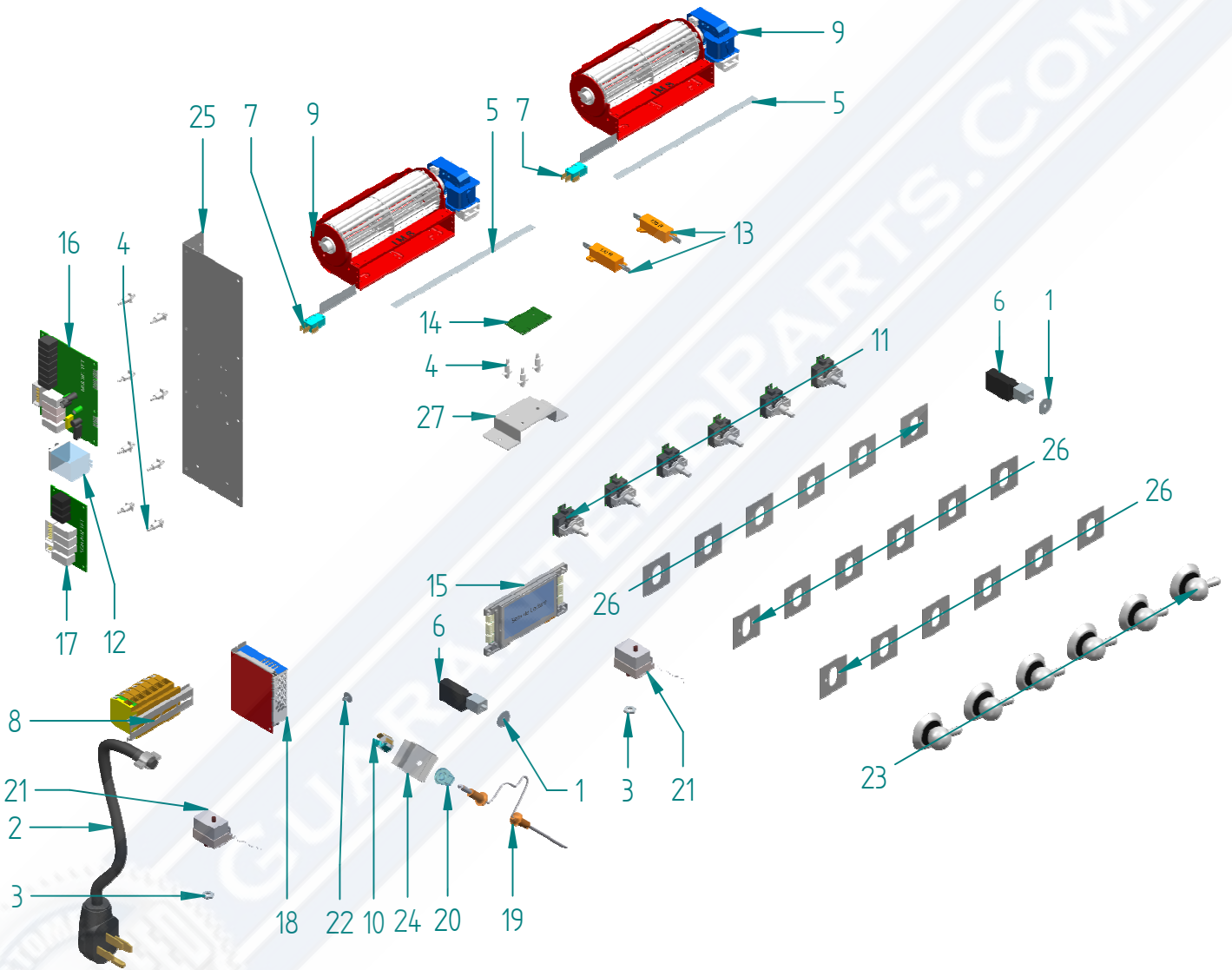
N°	Cod	Descrizione	Inglese	Qtà
1	EG9622002000808	PORTA COMPL 60 3V MD10QN INOX-CROMO	TRIPLE GLASS 60 MD10-QN DOOR/ST	1
2	EA0916003000000	CERNIERA POR FO 60 MJ/STD '15 SOFT	OVEN DOOR HINGE 60 MJ / STD '15	2
3	EA1290002000000	DISTANZIALE OT H=5,5 MANIG POR INOX	BRASS SPACER FOR HANDLE	2
4	EA4270009000008	MAN/CORRIM CROMO MAJEST D=22 I=420	CHROME HANDLE MAJESTIC D=22 I=420	1
5	EA4355001000000	MOLLA (CLIP FISSAGGIO) VETRO INTERM	SPRING	6
6	EA5890005000000	PROFILO GUIDA VET SX NERO '15	INSIDE PROFILE	1
7	EA5890006000000	PROFILO GUIDA VET SUP 60 NERO '15	UPPER PROFILE	1
8	EA5890014000000	PROFIL GUI VET DX NERO MD10 M12 P12	INSIDE PROFILE	1
9	EA7814008110000	VETRO INTERMEDIO 60 MUFF '15	INSIDE DOOR GLASS	1
10	EA7814033110000	VETRO INTERNO PO 60 MUFF '15 NERO	INSIDE DOOR GLASS	1
11	EA7851005000000	VITE APP VE EST MAJ M5 L19 CH8 OTT	SCREW	2
12	EG5405044000808	PORTA+COR 60 M07/15 MD10 QN INOX-CR	DOOR+FRAMES 60 M07/15 MD10 QN	1
13	EG9860005000000	VETRO+SQ PORTA 60 MD10 '15	DOOR GLASS	1
14	ES6060001010000	RINFORZO MAN PO MAJ-FRON CASS PT100	REINFORCEMENT	2



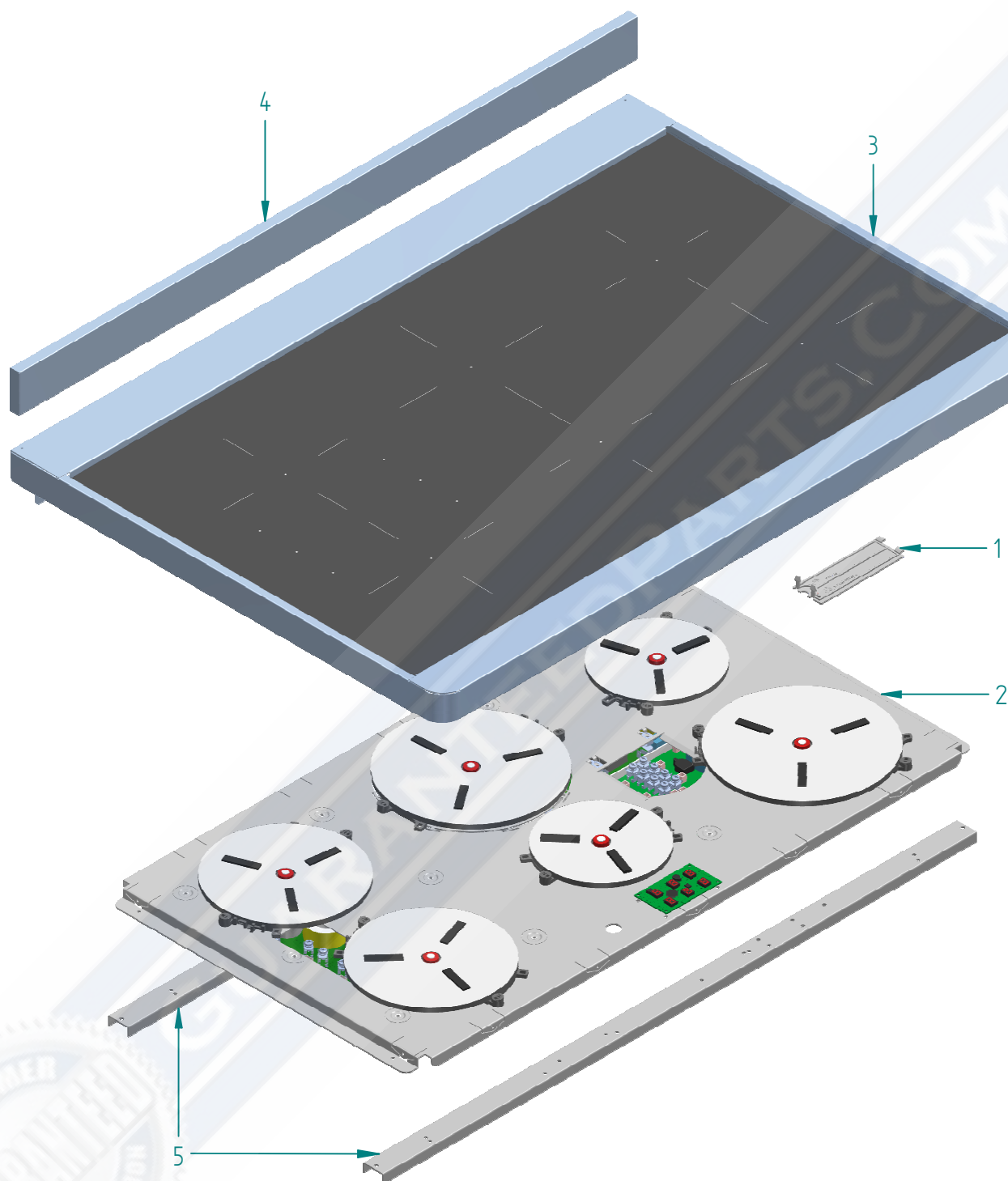
N°	Cod	Descrizione	Inglese	Qtà
1	EG9620002000808	PORTA COMP 30 3V MD10 M12QN INOX-CR	TRIPLE GLASS 30 MAJ-QN DOOR/ST	1
2	EA0916006000000	CERNIERA POR FO 30 MAJ/STD '15 SOFT	30 OVEN DOOR HIN	2
3	EA1290002000000	DISTANZIALE OT H=5,5 MANIG POR INOX	BRASS SPACER FOR HANDLE	2
4	EA4270008000008	MANIGLIONE CROMO MAJEST D=22 I=195	MAJESTIC CHROME HANDLE D=22 I=195	1
5	EA4355001000000	MOLLA (CLIP FISSAGGIO) VETRO INTERM	SPRING	6
6	EA5890004000000	PROFILO GUIDA VET DX NERO '15	INSIDE PROFILE	1
7	EA5890005000000	PROFILO GUIDA VET SX NERO '15	INSIDE PROFILE	1
8	EA5890010000000	PROFILO GUIDA VET SUP 30 NERO '15	UPPER PROFILE	1
9	EA7814026110000	VETRO INTERMEDIO 30 MUFF '15	INSIDE DOOR GLASS	1
10	EA7814035110000	VETRO INTERNO 30 CUC NOBLESSE	INSIDE DOOR GLASS	1
11	EA7851005000000	VITE APP VE EST MAJ M5 L19 CH8 OTT	SCREW	2
12	EG5405042000808	PORTA+CORNICI 30 MD10 M12QN INOX-CR	DOOR+FRAMES 30 MD10 M12QN INOX-CR	1
13	EG9860002000000	VETRO+SQ PORTA 30 M12	DOOR GLASS	1
14	ES6060001010000	RINFORZO MAN PO MAJ-FRON CASS PT100	REINFORCEMENT	2

GUARANTEED PART



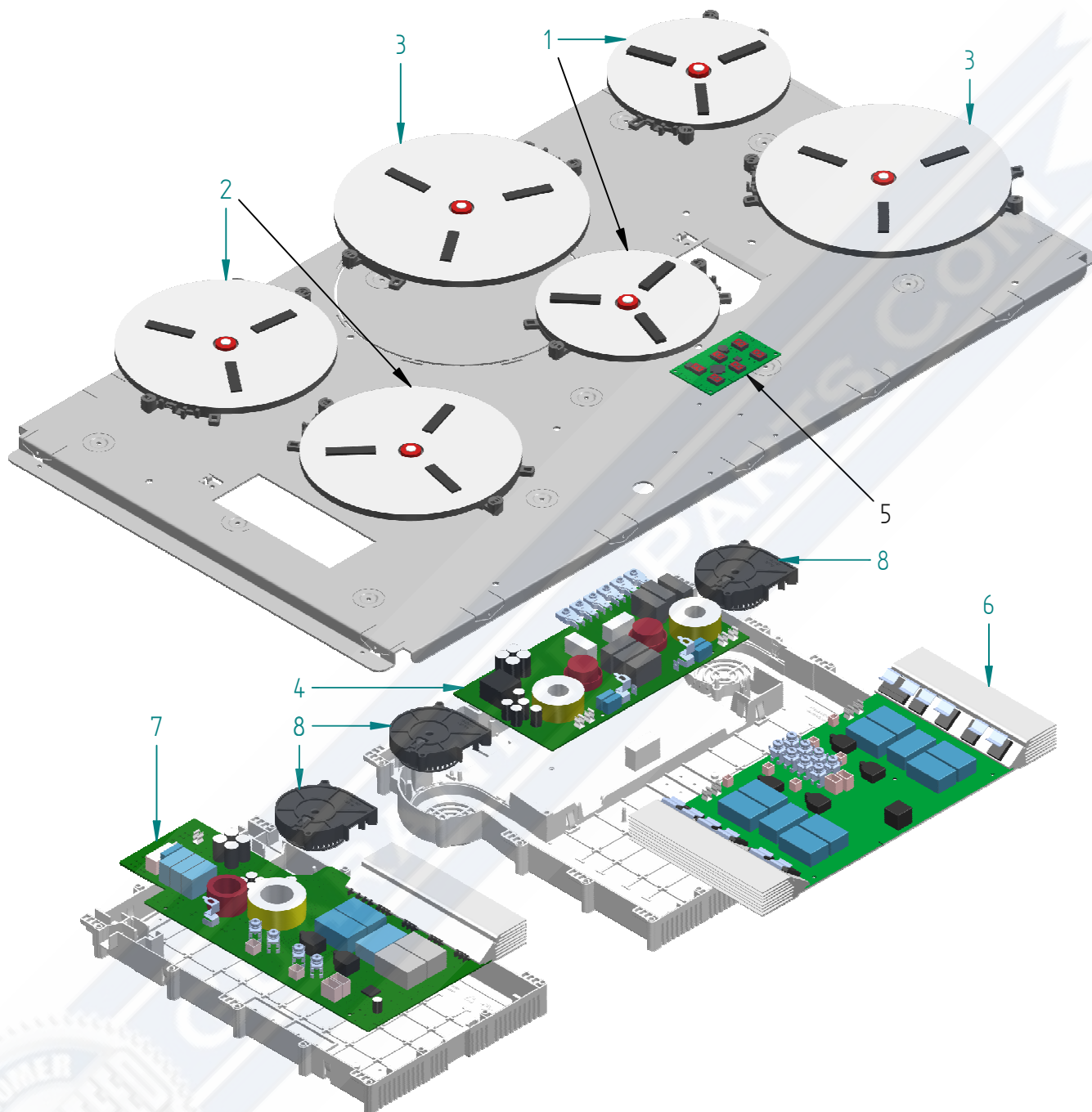


N°	Cod	Descrizione	Inglese	Qtà
1	EA0755001000000	BOCCOLA PERNO MICRO LUCE FORNO '15	MICRO LIGHT OVEN PINS '15	2
2	EA1070004000000	CORD 2XAWG6+2AWG8 50A + SPINA UL	POWER CABLE	1
3	EA1201008000000	DADO ES M1x10 TERM SIC UL RIARM MAN	NUT	2
4	EA1290003000000	DISTANZ PER PCB FORNO TC 5506AA00	SPACER	11
5	EA2683011000000	GUARNIZIONE MOTOV TANG ANTIV L=270	GASKET FOR BUILT IN HOB L=270	2
6	EA4330001000000	MICROINT LUCE FORNO+SUPP '15 3 FAST	MICRO SWITCH	2
7	EA4330005000000	MICROINT FUNZIONAM TANG CUC UL	MICRO SWITCH	2
8	EA4356003000000	MORSETTIERA 60A CABUR 6P+T	TERMINAL BOARD	1
9	EA4365012000000	MOTOV TANG L=180 120V CLAS H UL IMS	UL COOLING FAN L=180	2
10	EA5420001000000	PORTASONDA PROGRAMM ELETTR	PROBE HOLDER	1
11	EA6001003000000	REG ENER ENCODER PUSH TO TURN G5 UL	ENCODER PUSH TO TURN	6
12	EA6003001000000	RELAY SICUREZZA TANG USA	RELAY	1
13	EA6011021000000	RESISTORE CERAM 50W 130R	HEATING ELEMENT	2
14	EA6254014000000	SCHEDA INTERFACCIA MODULO INDUZ G5	PCB FOR INDUCTION HOB	1
15	EA6254017000000	SCHEDA EL DISPLAY TC GRUPPO TFT	TFT SCREEN CARD	1
16	EA6254018000000	SCHEDA POTENZA MULTIFUNZIONE TFT	POWER BOARD	1
17	EA6254019000000	SCHEDA AUX STATICA TFT	POWER BOARD	1
18	EA6254029000000	SCHEDA ALIM 35W DISPLAY TFT USA		1
19	EA6551002000000	SONDA CARNE PROGR ELETTR	PROBE 220/240V	1
20	EA6835002000000	TAPPO PORTASONDA	COVER	1
21	EA6871007000000	TERMOSTATO SIC FORN UL RIARMO MAN		2
22	EA7851003000000	VITE AL COPRIFORO SONDA CARNE-GIRAR	CLAMP	1
23	EG9493002000108	MANOPOLA MAJ REG ENER INDUZ CROMO	INDUCT KNOB MAJ COOKER / CHROME	6
24	ES6678021010000	SUPPORTO PORTASONDA 948-MAJ	PROBE HOLDER SUPPORT	1
25	ES6678068010000	SUPPORTO SCHEDE CUC MAJ '15	ELECTRONIC BOARD SUPPORT	1
26	ES6678072010000	SUPPORTO ENCODER CUC INDUZ USA	SUPPORT	18
27	ES6678073010000	SUPPORTO SCHEDA INTERF MODULO INDUZ	WIRING SUPPORT	1

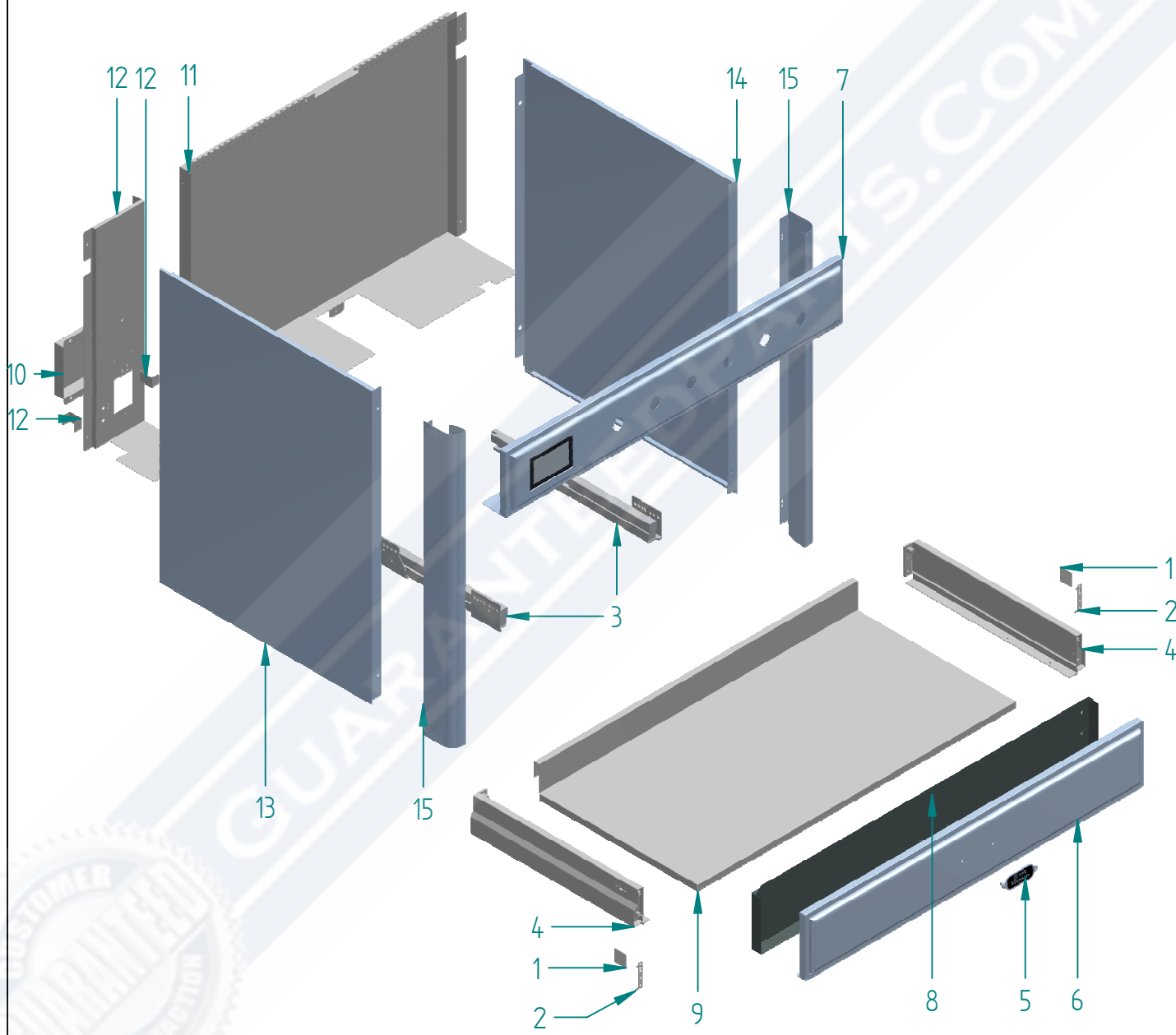


N°	Cod	Descrizione	Inglese	Qtà
1	EA1060003000000	COPERCHIO GENERAT MODULI G5 EGO USA	INDUCTION GENERATOR COVER	1
2	EA4353008000000	MODULO CUC INDUZ 6 ZONE ENC G5 UL	6 PLATES INDUCTION TOP	1
3	EG9610010000008	PIANO VETRO INDUZ CUC UMDI10 INOX	HOB FOR UMDI10 / ST.ST.	1
4	ES0251005080008	ALZATINA CUC PD-MD10 L=1000 NO ASOL	BACK SPLASH FOR PD-MD10	1
5	ES4103021010000	LISTELLO ANT/POST PIAST PDE-PDI100	STRIP	2





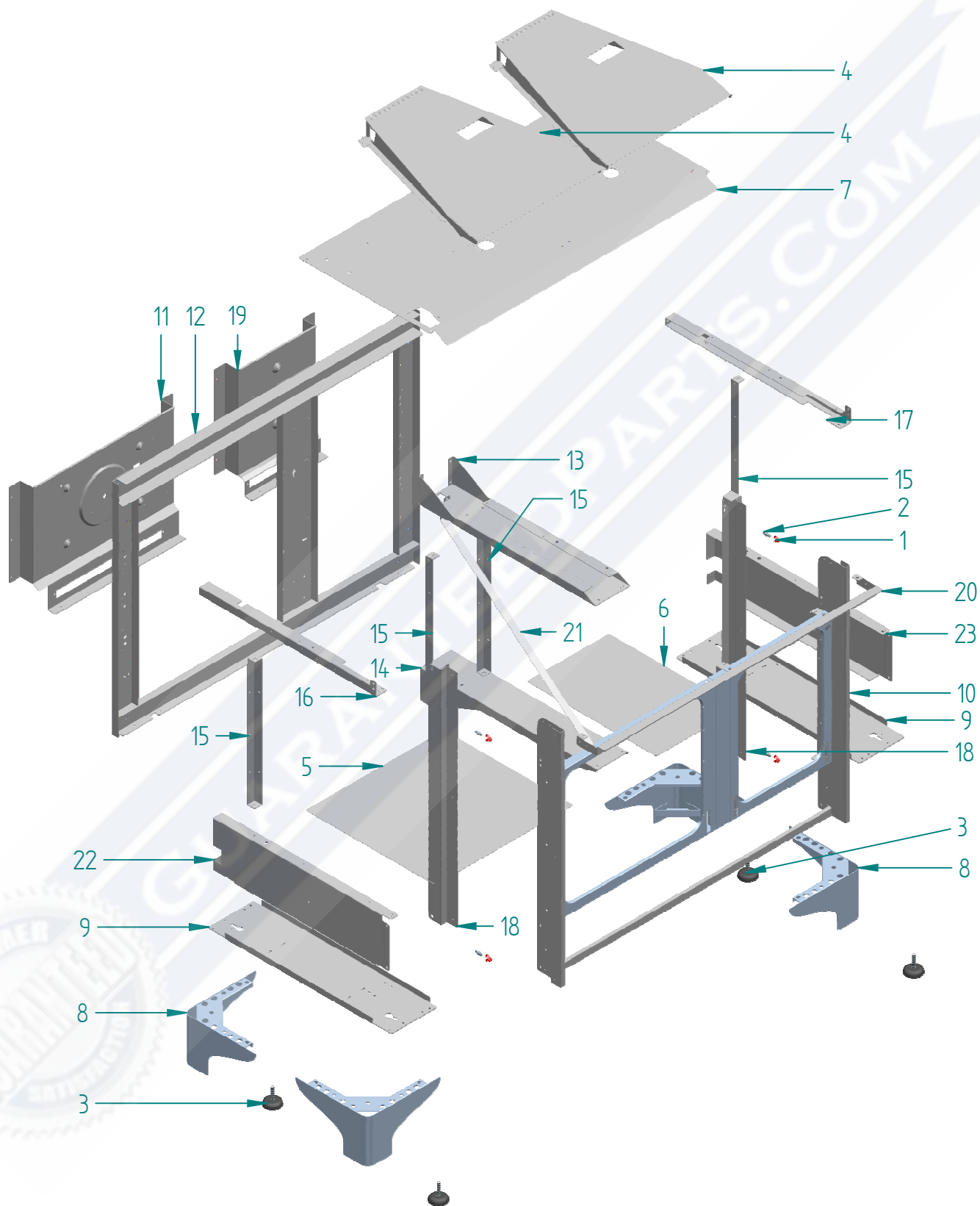
N°	Cod	Descrizione	Inglese	Qtà
1	EA3251008000000	INDUTTORE D=145 G5 UL	Φ145 Inductor	2
2	EA3251009000000	INDUTTORE D=180 G5 UL	Φ180 Inductor	2
3	EA3251010000000	INDUTTORE D=210 G5 UL	Φ210 Inductor	2
4	EA6254033000000	SCHEDA FILTRO CUC INDUZ G5 UL	Filter board 3 - 4 burner generator	1
5	EA6254037000000	SCHEDA DISPLAY 6 ZONE G5 UL	K6 Display	1
6	EA6254038000000	SCHEDA POT 4 ZONE IND 6 ZONE G5 UL	Power board 4 burner generator	1
7	EA6254039000000	SCHEDA POT 2 IND 6 ZONE G5 UL	Domino Generator	1
8	EA7805004000000	VENTILATORE GENERAT G5 UL	Fan	3



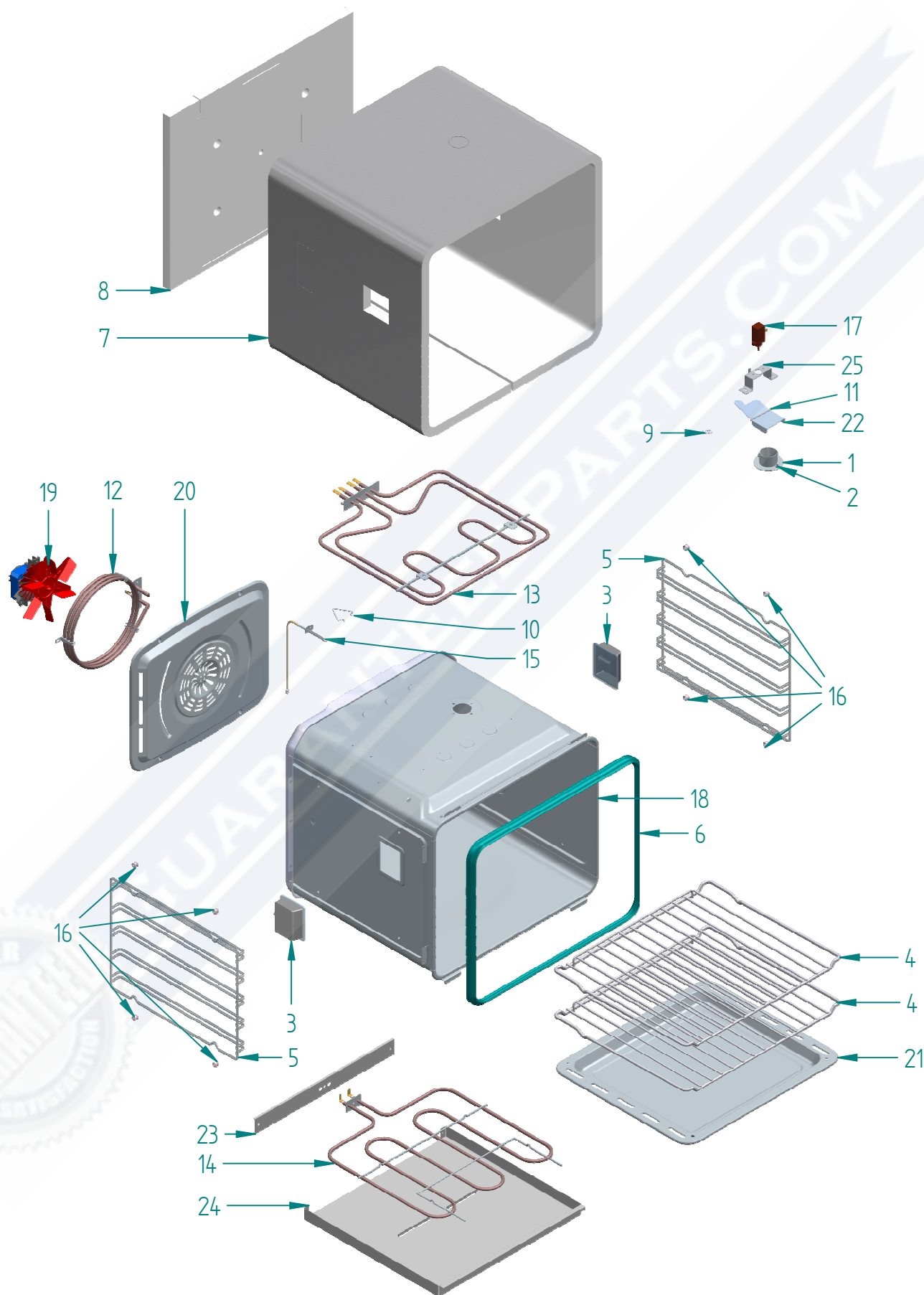
N°	Cod	Descrizione	Inglese	Qtà
1	EA1053002000000	COPRIFORO SPONDINA CLASSIC CASS CUC	HOLE COVER	2
2	EA2430001000000	GANCIO ARRESTO GUIDA CASS CUC	CLAMP	2
3	EA2690001000000	GUIDA CASS (COPPIA) CUC L450 40KG	DROWER GUIDE	1
4	EA6585001000000	SPONDA (COPPIA) CASS CUC CLASSIC	SIDE	1
5	EA6827001000008	TARG MARCHIO MAJESTIC NERO NICHEL	PLATE	1
6	EG2330018000808	FRONTALE CASSETTO+CORNICI MD10 N-QN		1
7	EG9843007000808	CRUSCOT MD106N-QN+VET+CORN INOX-CR	COMPL CTRL BOARD+FRAME MD106N-QN	1
8	EL1055018010000	CONTROFRON CASS SCV +10mm MD10 ELZN	INSIDE DROWER FRONT	1
9	EL2305008010000	FONDO CASSETTO MD10 MUFF '15	DROWER FUND MD10 '15	1
10	ES1067001010000	COPRIMORSETT 60A PER CUCINA UL	TERMINAL BOARD COVER	1
11	ES1068050010000	COPRISCH SX CUC UMD10	BACK COVER SX UMD10	1
12	ES1068055010000	COPRISCH CUC DX UMI-UMDI MORS 60A		1
13	ES4044007080008	LATERALE REMOV MAJ INOX SX+10mm	SIDE PANEL SX/ST ST	1
14	ES4044008080008	LATERALE REMOV MAJ INOX DX+10mm	SIDE PANEL DX/ST ST	1
15	ES5435016080008	PROFILO REMOV DX-SX MD10 +10mm INOX	PROFILE FOR M10 / ST.ST.	2

GUARANTEED

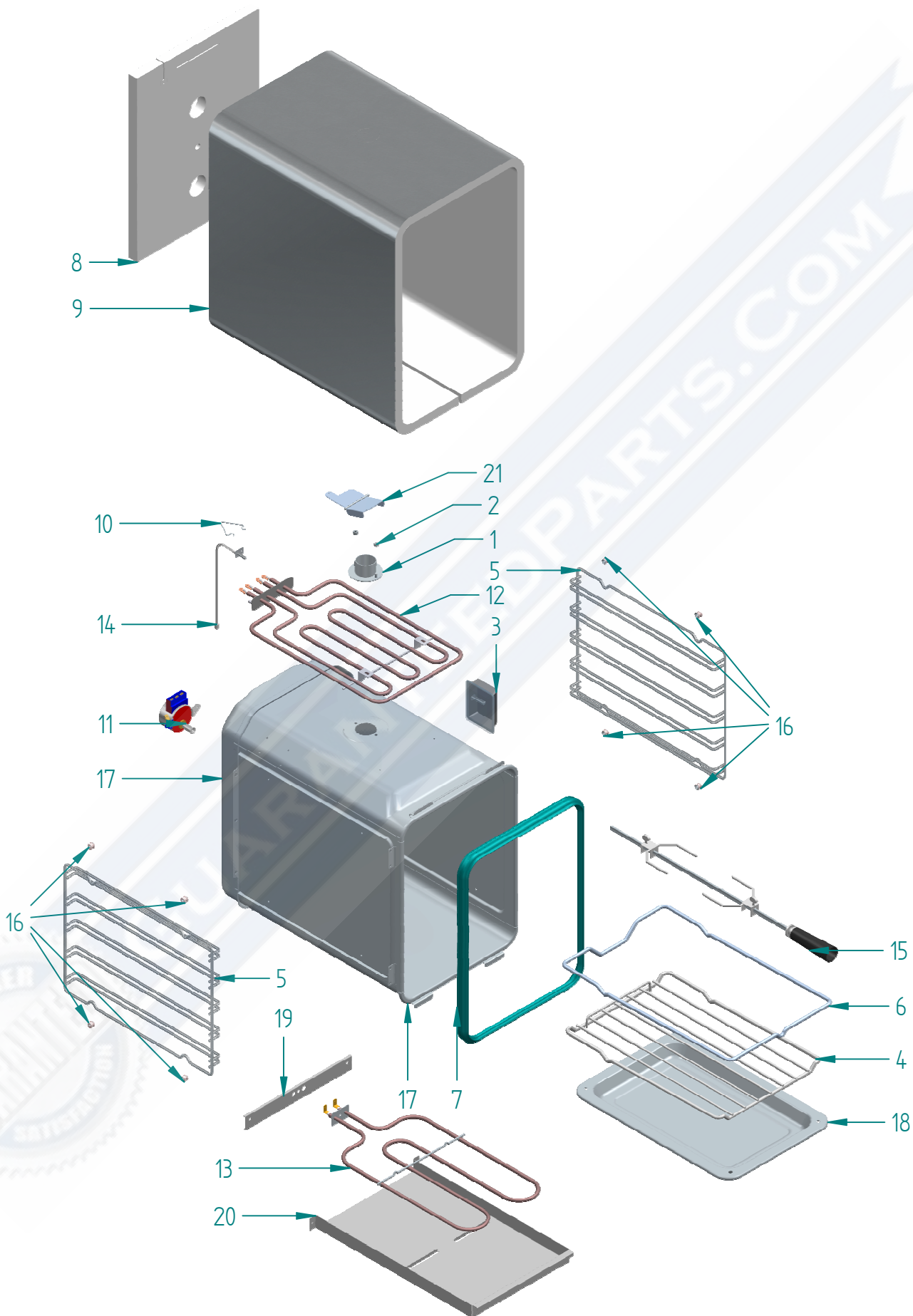




N°	Cod	Descrizione	Inglese	Qtà
1	EA4355003000000	MOLLA PERNO INN LAT REMOV	SPRING	4
2	EA5265003000000	PERNO INNESTO M4 LAT REMOV	STST PIN	4
3	EA5315003000000	PIEDINO GOMMA D.50 M8 H40 (FILETTO)	RUBBER FEET M8X5	4
4	ES1058016010000	CONV 60 CUC M07/15-UMD10 '19 ELZN	AIR CONVEYER	2
5	ES2306002010000	FONDO CUCINA ELETT 60 ELZN	ELECTRIC COOKER BOTTOM 60 CM ELZN	1
6	ES2306004010000	FONDO CUCINA ELETT 30 ELZN	ELECTRIC COOKER BOTTOM 30 CM ELZN	1
7	ES5245004010000	PARACALORE CUC MD10 ELZN	100 CM COOKER HEAT SHIELD	1
8	ES5308001000008	PIEDINO CUC MAJESTIC H=140 INOX	FOOT FOR MAJESTIC COOKER / ST.ST.	4
9	ES6651016010000	STAFFA PIEDINI CUCINA MAJESTIC ZN	FEET STIRRUP FOR MAJESTIC COOKER	2
10	ES6671013000000	STRUTTURA CUCINA ANT MD10	FRONT COOKER STRUCTURE MD10	1
11	ES6671028010000	STRUTT CUC 60 PANNELLO POST ELZN	REAR PANEL FRAME	1
12	ES6671033000000	STRUTTURA CUCINA POST MD-UMD10	REAR COOKER STRUCTURE MD-UMD10	1
13	ES6671050010000	STR CUC MD10-M12/15 LIS SUP CE ELZN	CENTRAL HIGH STRUCTURE STRIP	1
14	ES6671051010000	STR CUC MD10-M12/15 LIS INF CE ELZN	CENTRAL LOWER STRUCTURE STRIP	1
15	ES6671053010000	STRUTT CUC SUPP SCHIENA MAJESTIC	OVEN BACK SUPPORT	4
16	ES6671056010000	STRUT CUC MAJESTIC LIST SUP SX ELZN	STRUCTURE HIGH STRIP SX	1
17	ES6671057010000	STRUT CUC MAJESTIC LIST SUP DX ELZN	STRUCTURE HIGH STRIP DX	1
18	ES6671061010000	STRUTTURA CUC MD10 COMP PROF ELZN		2
19	ES6671062010000	STRUTT CUC 30 PANNELLO POST ELZN	REAR PANEL FRAME	1
20	ES6671065010000	STRUTT CUC MD10 LIST CRUSC ELZN	DASHBOARD STOPPER	1
21	ES6671090010000	STRUTTURA CUC TIRANTE MAJESTIC ELZN	ROD MAJESTIC	1
22	ES6678066010000	SUP GUI CAS SX M07-09-10-12-15 ELZN	STRIP	1
23	ES6678067010000	SUP GUI CAS DX M07-09-10-12-15 ELZN	STRIP	1



N°	Cod	Descrizione	Inglese	Qtà
1	EA0888001000000	CAMINO SCA VAP CUC/FOR '15 H=24	CHIMNEY DISCHARGE STEAM KITCHEN	1
2	EA1201007000000	DADO ES M4 DIN 980M INS/MET INOX A2	NUT	2
3	EA2135002000000	FARETTO AL 120V 25W MUFF '15 UL/CSA	LAMP HOLDER + LAMP	2
4	EA2631006000000	GRIGLIA FOR 60 MUFF '15	GRID FOR 60 MOLD '15	2
5	EA2632002000000	GRIGLIA LAT MUFF '15 5 CORSIE	OVEN SIDE GRILL	2
6	EA2684005000000	GUARN MUFF '15 FORNO 60	OVEN GASKET	1
7	EA4030006000000	LANA DI VETRO MANTO+FONDO 60 MUF'15	FIBERGLASS	1
8	EA4030007000000	LANA DI VETRO SCHIENA 60 MUFF '15	FIBERGLASS	1
9	EA4355002000000	MOLLA RICHIAMO SCARICO FUMI 645SLZV	SPRING	1
10	EA4355004000000	MOLLA FISS SONDA NTC FILO D1.2 INOX	SPRING	1
11	EA5265001000000	PERNO REG SCARICO VAPORI MUFF '15		1
12	EA6011003000000	RESIST 2100W 230V CIRC '15	CIRCULAR RESISTANCE W2100 V230	1
13	EA6011006000000	RESIST 3100W 230V CIE+GR 60 '15	TOP/GRILL RESISTANCE	1
14	EA6011007000000	RESIST 1100W 230V SUOLA 60 '15	BOTTOM/GRILL RESISTANCE	1
15	EA6551005000000	SONDA PT1000 PIROLIT/PIZZA/TFT	PROBE	1
16	EA6678001000000	SUPPORTO GRIGLIA LAT MUFF '15	GRILL SIDE SUPPORT (OVEN)	8
17	EA6867001000000	TERMOATTUATORE A CERA 10.0331.07	DAMPER	1
18	EF0898002030000	CAVITA' MUFF 60 MULT '15 GREZZA	60 CM OVEN MUFFLE	1
19	EG4364005000000	MOTOV RADIALE COMPL UL MUFF 30" SO		1
20	EL1070002030000	COPRIVENTOLA MUFF 60 '15 GREZZA	FAN COVER 60	1
21	EL4053004030000	LECCARDA 60 GREZZA '15	ENAMELLED DRIPPING PAN 60	1
22	EP6001003080008	REGOLATORE FLUSSO SCARICO VAPOR '15		1
23	ES2195002010000	FERMARES INF MUFF 60 '15	HEAT ELEMENT STOP	1
24	ES5415007010000	PORTARES INF FO 60 ZN	RESISTANCE HOLDER	1
25	ES6678017010000	SUPPORTO ATTUATORE A CERA '15	WAX ACTUATOR SUPPORTO	1





N°	Cod	Descrizione	Inglese	Qtà
1	EA0888001000000	CAMINO SCA VAP CUC/FOR '15 H=24	CHIMNEY DISCHARGE STEAM KITCHEN	1
2	EA1201007000000	DADO ES M4 DIN 980M INS/MET INOX A2	NUT	2
3	EA2135002000000	FARETTO AL 120V 25W MUFF '15 UL/ESA	LAMP HOLDER + LAMP	1
4	EA2631008000000	GRIGLIA FORNO 30 cm '15	OVEN GRID	1
5	EA2632002000000	GRIGLIA LAT MUFF '15 5 CORSIE	OVEN SIDE GRILL	2
6	EA2634001000000	GRIGLIA SUPPORTO GIRAR FO 30 cm '15	SPIT SUPPORT	1
7	EA2684003000000	GUARN MUFF '15 FORNO 30	OVEN GASKET	1
8	EA4030010000000	LANA DI VETRO SCHIENA FO 30CM '15	FIBERGLASS OVEN BACK	1
9	EA4030012000000	LANA DI VETRO MANT+FOND FO 30CM '15	FIBERGLASS MANTLE+BOTTOM	1
10	EA4355004000000	MOLLA FISS SONDA NTC FILO Ø1.2 INOX	SPRING	1
11	EA4361001000000	MOTORID GIR UL 50/60HZ L=25 STE '15	SPIT GEARED MOTOR UL	1
12	EA6011011000000	RESIST 2300W 230V CIE+GR 30 '15	TOP/GRILL RESISTANCE W2300 V230	1
13	EA6011012000000	RESIST 800W 230V SUOLA 30 '15	TOP/GRILL RESISTANCE W800 V230	1
14	EA6551001000000	SONDA TEMPERATURA NTC L=800	PROBE	1
15	EA6580002000000	SPIEDO FORNO 30/40 MUFF '15	TRANSVERSE SPIT 30/40	1
16	EA6678001000000	SUPPORTO GRIGLIA LAT MUFF '15	GRILL SIDE SUPPORT (OVEN)	8
17	EF0898003030000	CAVITA' MUFF 30 ELETTR STAT '15 GR	GAS MUFFLE 30	1
18	EL4053001030000	LECCARDA h=25 MUFF '15 30 cm	DRIPPING PAN	1
19	ES2195003010000	FERMARES INF MUFF 30 '15	HEAT ELEMENT STOP	1
20	ES5415010010000	PORTARESISTENZA INF FO 30 ZN	RESISTANCE HOLDER	1
21	ES6001001000000	REGOLATORE SCARICO VAPORI MUFF' 15	VAPOR DISCHARGE REGULATOR	1