

ILVE S.p.a.

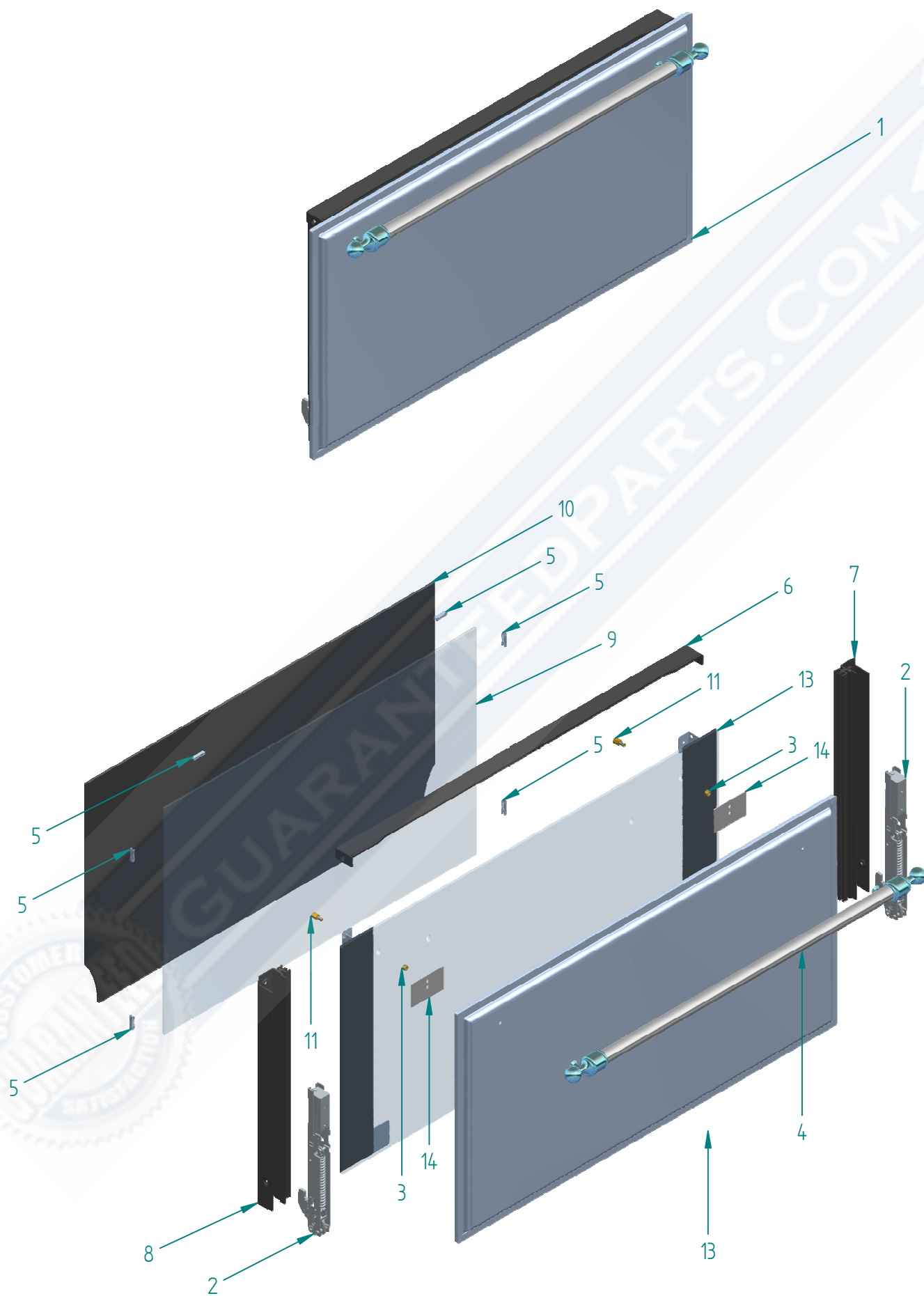
UMI09NS3_SSC

CUCINA MAJ-QN 90 IND WD USA INO-CRO

05/10/2020



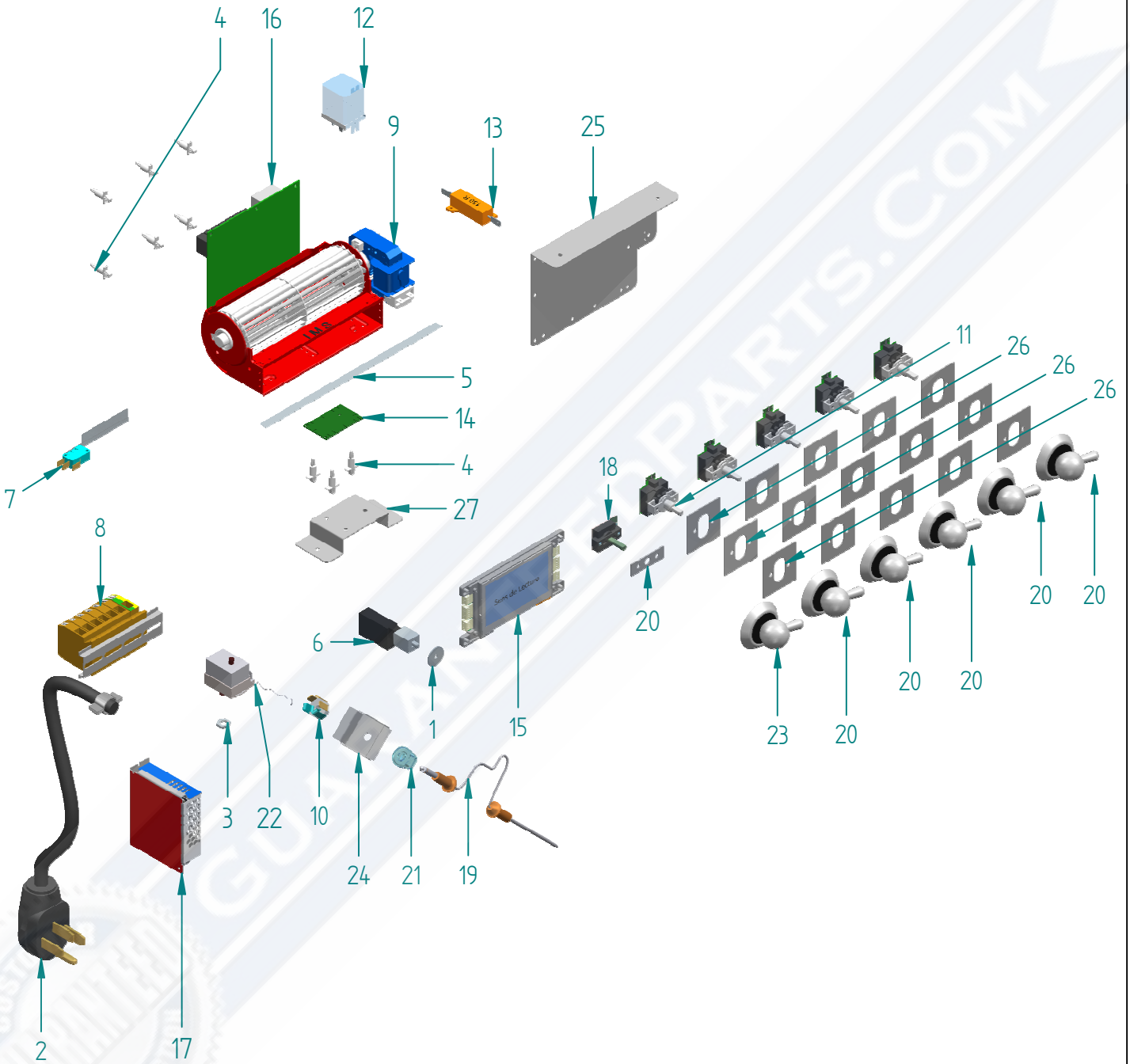
Live, Cook, Love.



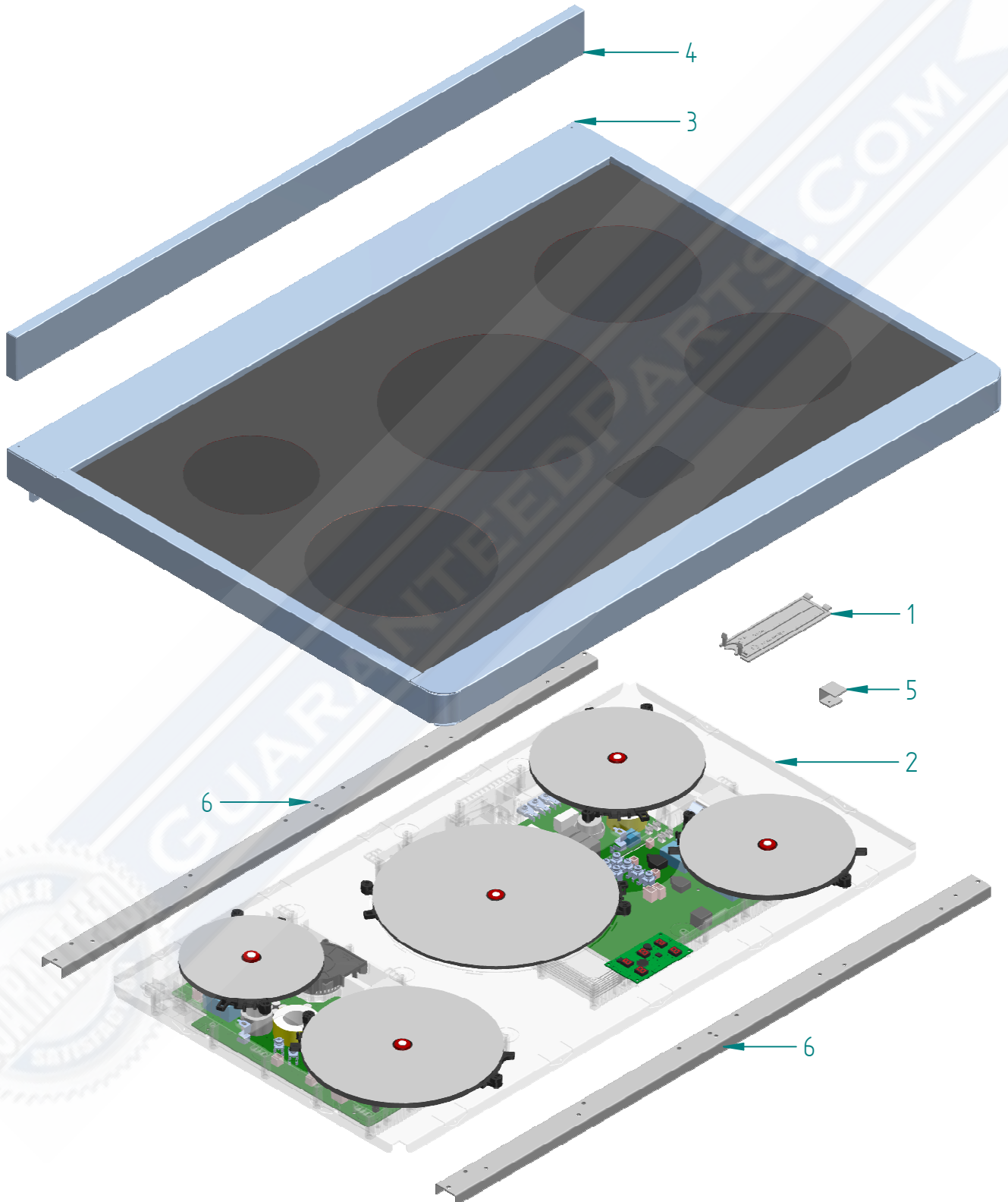
N°	Cod	Descrizione	Inglese	Qtà
1	EG9624020000808	PORTA COMPL 80 3V M09-15QN INOX-CRO	TRIPLE GLASS 80 MAJ-QN DOOR/ST	1
2	EA0916011000000	CERNIERA POR FO 80 '15 SOFT CLOS	80 OVEN DOOR HINGES	2
3	EA1290002000000	DISTANZIALE OT H=5,5 MANIG POR INOX	BRASS SPACER FOR HANDLE	2
4	EA4270003000008	MAN/CORRIM CROMO MAJEST D=22 I=625	MAJESTIC CHROME HANDLE D=22 I=625	1
5	EA4355001000000	MOLLA (CLIP FISSAGGIO) VETRO INTERM	SPRING	6
6	EA5890003000000	PROFILO GUIDA VET SUP 80 NERO '15	INSIDE PROFILE	1
7	EA5890004000000	PROFILO GUIDA VET DX NERO '15	INSIDE PROFILE	1
8	EA5890005000000	PROFILO GUIDA VET SX NERO '15	INSIDE PROFILE	1
9	EA7814006110000	VETRO INTERMEDIO 80 MUFF '15	INTERMEDIATE DOOR GLASS	1
10	EA7814032110000	VETRO INTERNO PO 80 MUFF '15 NERO	INTERNAL GLASS DOOR 80 BLACK	1
11	EA7851005000000	VITE APP VE EST MAJ M5 L19 CH8 OTT	SCREW	2
12	EG5405043000808	PORTA+CORNIC 80 M09/12/15QN INOX-CR	DOOR+FRAMES 80 M09/12/15QN	1
13	EG9860003000000	VETRO+SQ PORTA 80 M15	DOOR GLASS	1
14	ES6060001010000	RINFORZO MAN PO MAJ-FRON CASS PT100	REINFORCEMENT	2

GUARANTEED PART





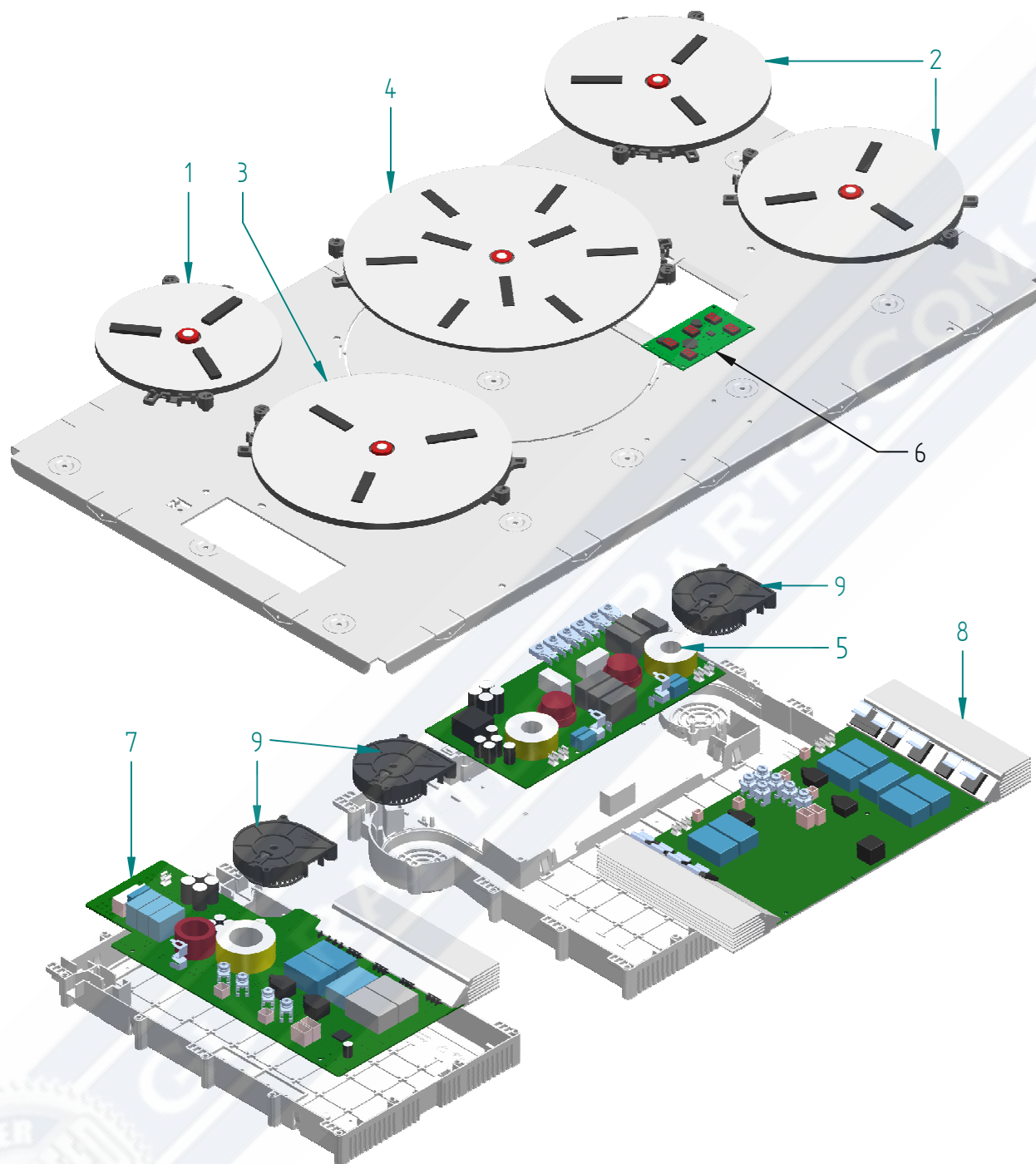
N°	Cod	Descrizione	Inglese	Qtà
1	EA0755001000000	BOCCOLA PERNO MICRO LUCE FORNO '15	MICRO LIGHT OVEN PINS '15	1
2	EA1070004000000	CORD 2XAWG6+2AWG8 50A + SPINA UL	POWER CABLE	1
3	EA1201008000000	DADO ES M1x10 TERM SIC UL RIARM MAN	NUT	1
4	EA1290003000000	DISTANZ PER PCB FORNO TC 5506AA00	SPACER	9
5	EA2683011000000	GUARNIZIONE MOTOV TANG ANTIV L=270	GASKET FOR BUILT IN HOB L=270	1
6	EA4330001000000	MICROINT LUCE FORNO+SUPP '15 3 FAST	MICRO SWITCH	1
7	EA4330005000000	MICROINT FUNZIONAM TANG CUC UL	MICRO SWITCH	1
8	EA4356003000000	MORSETTIERA 60A CABUR 6P+T	TERMINAL BOARD	1
9	EA4365012000000	MOTOV TANG L=180 120V CLAS H UL IMS	UL COOLING FAN L=180	1
10	EA5420001000000	PORTASONDA PROGRAMM ELETTR	PROBE HOLDER	1
11	EA6001003000000	REG ENER ENCODER PUSH TO TURN G5 UL	ENCODER PUSH TO TURN	5
12	EA6003001000000	RELAY SICUREZZA TANG USA	RELAY	1
13	EA6011021000000	RESISTORE CERAM 50W 130R	HEATING ELEMENT	1
14	EA6254014000000	SCHEDA INTERFACCIA MODULO INDUZ G5	PCB FOR INDUCTION HOB	1
15	EA6254017000000	SCHEDA EL DISPLAY TC GRUPPO TFT	TFT SCREEN CARD	1
16	EA6254018000000	SCHEDA POTENZA MULTIFUNZIONE TFT	POWER BOARD	1
17	EA6254029000000	SCHEDA ALIM 35W DISPLAY TFT USA		1
18	EA6301001000000	SELETTORE (SHUTTLE) TEMP+LUCE FORNO	SHUTTLE SELECTOR	1
19	EA6551002000000	SONDA CARNE PROGR ELETTR	PROBE 220/240V	1
20	EA6579001000000	SPESSORE COMM E TERM	SWITCH AND THERMOSTAT HOLDER	1
21	EA6835002000000	TAPPO PORTASONDA	COVER	1
22	EA6871007000000	TERMOSTATO SIC FORN UL RIARMO MAN		1
23	EG9493002000108	MANOPOLA MAJ REG ENER INDUZ CROMO	INDUCT KNOB MAJ COOKER / CHROME	6
24	ES6678021010000	SUPPORTO PORTASONDA 948-MAJ	PROBE HOLDER SUPPORT	1
25	ES6678028010000	SUPPORTO SCH POT CUC SU PARACALORE	POWER BOARD SUPPORT	1
26	ES6678072010000	SUPPORTO ENCODER CUC INDUZ USA	SUPPORT	15
27	ES6678073010000	SUPPORTO SCHEDA INTERF MODULO INDUZ	WIRING SUPPORT	1



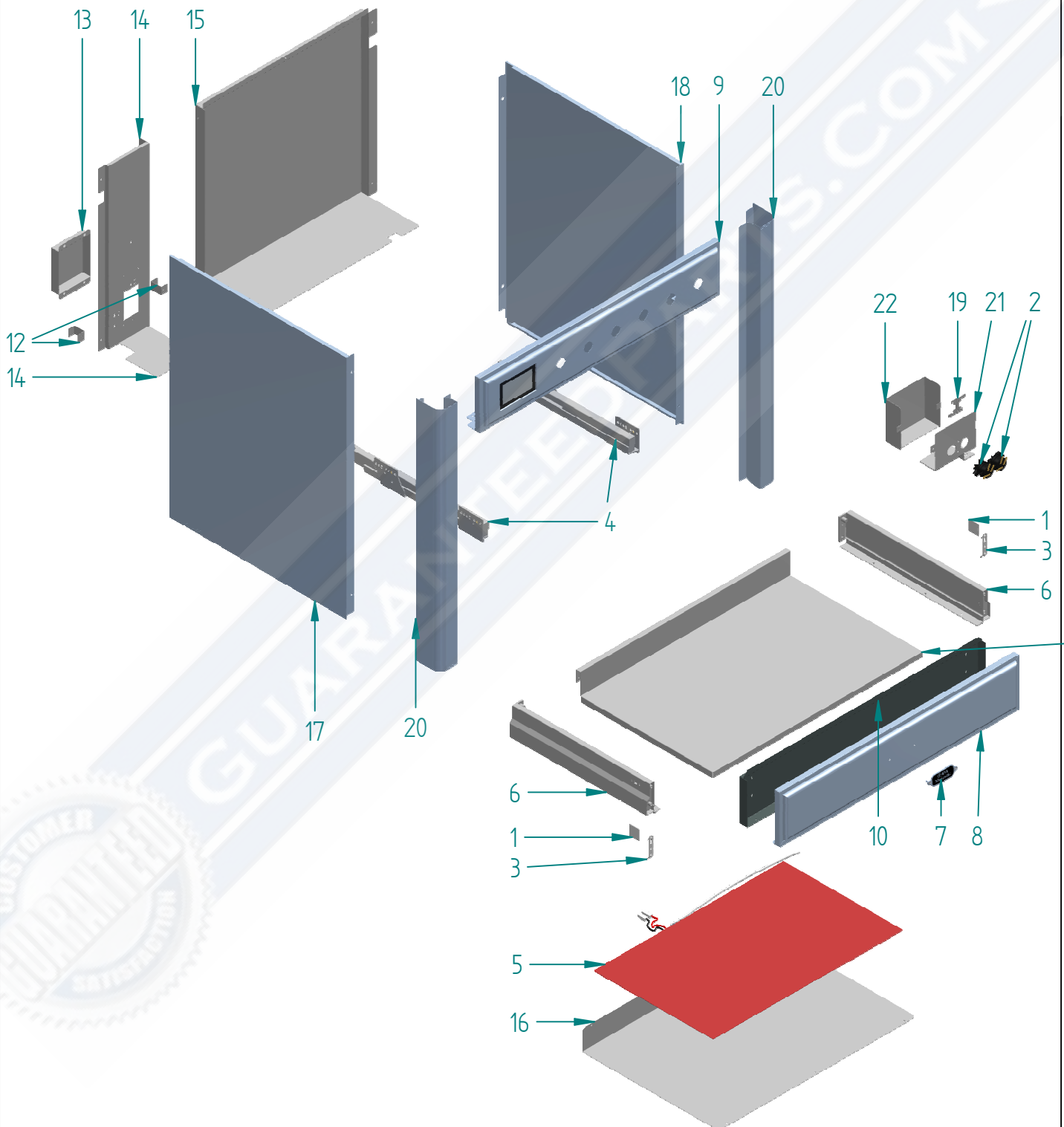
N°	Cod	Descrizione	Inglese	Qtà
1	EA1060001000000	COPERCHIO GENERAT MODULI G5 EGO	INDUCTION GENERATOR COVER	1
2	EA4353001000000	MODULO CUC INDUZ 5 ZONE ENCODER G5	5 PLATES INDUCTION TOP	1
3	EG9610002000008	PIANO VETRO INDUZ CUC M109 INOX	M109 TOP	1
4	ES0251007080008	ALZATINA CUC M09 L=911 NO ASOLE	SPLASHBACK M90 / ST ST	1
5	ES1290001010000	DISTANZIALE DISPLAY CUC INDUZ 90	SPACER	1
6	ES4103009010000	LISTELLO ANT/POST SOST PIAST PE90	STRIP	2

GUARANTEEDPARTS.COM

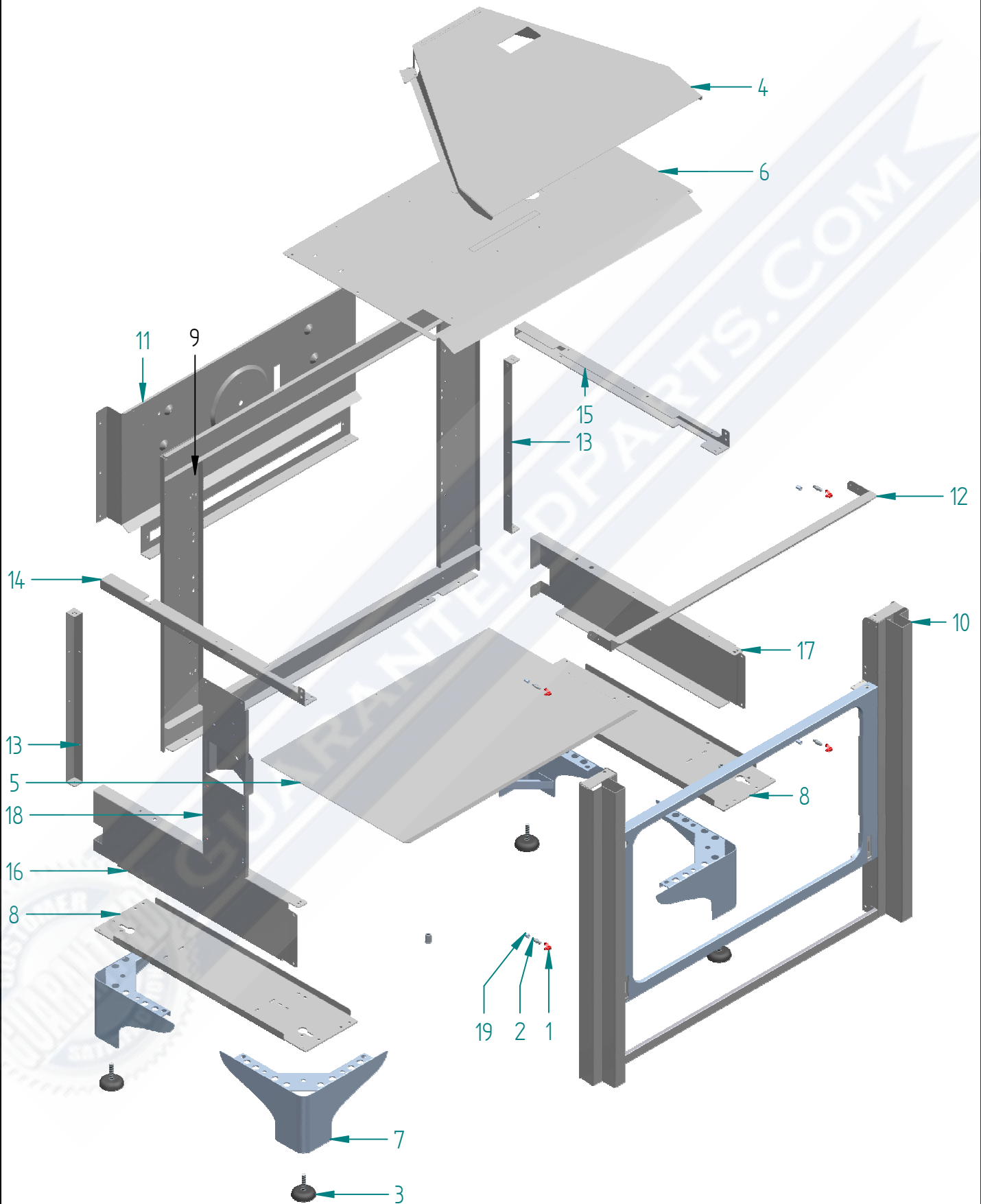




N°	Cod	Descrizione	Inglese	Qtà
1	EA3251008000000	INDUTTORE D=145 G5 UL	Ø145 Inductor	1
2	EA3251009000000	INDUTTORE D=180 G5 UL	Ø180 Inductor	2
3	EA3251010000000	INDUTTORE D=210 G5 UL	Ø210 Inductor	1
4	EA3251011000000	INDUTTORE D=260 G5 UL	Ø260 Inductor	1
5	EA6254033000000	SCHEDA FILTRO CUC INDUZ G5 UL	Filter board 3 - 4 burner generator	1
6	EA6254034000000	SCHEDA DISPLAY 5 ZONE G5 UL	K6 Display	1
7	EA6254035000000	SCHEDA POT 2 ZONE IND 5 ZONE G5 UL	Domino Generator	1
8	EA6254036000000	SCHEDA POT 3 IND X 5 ZONE G5 UL	Power board 3 burner generator	1
9	EA7805004000000	VENTILATORE GENERAT G5 UL	Fan	3



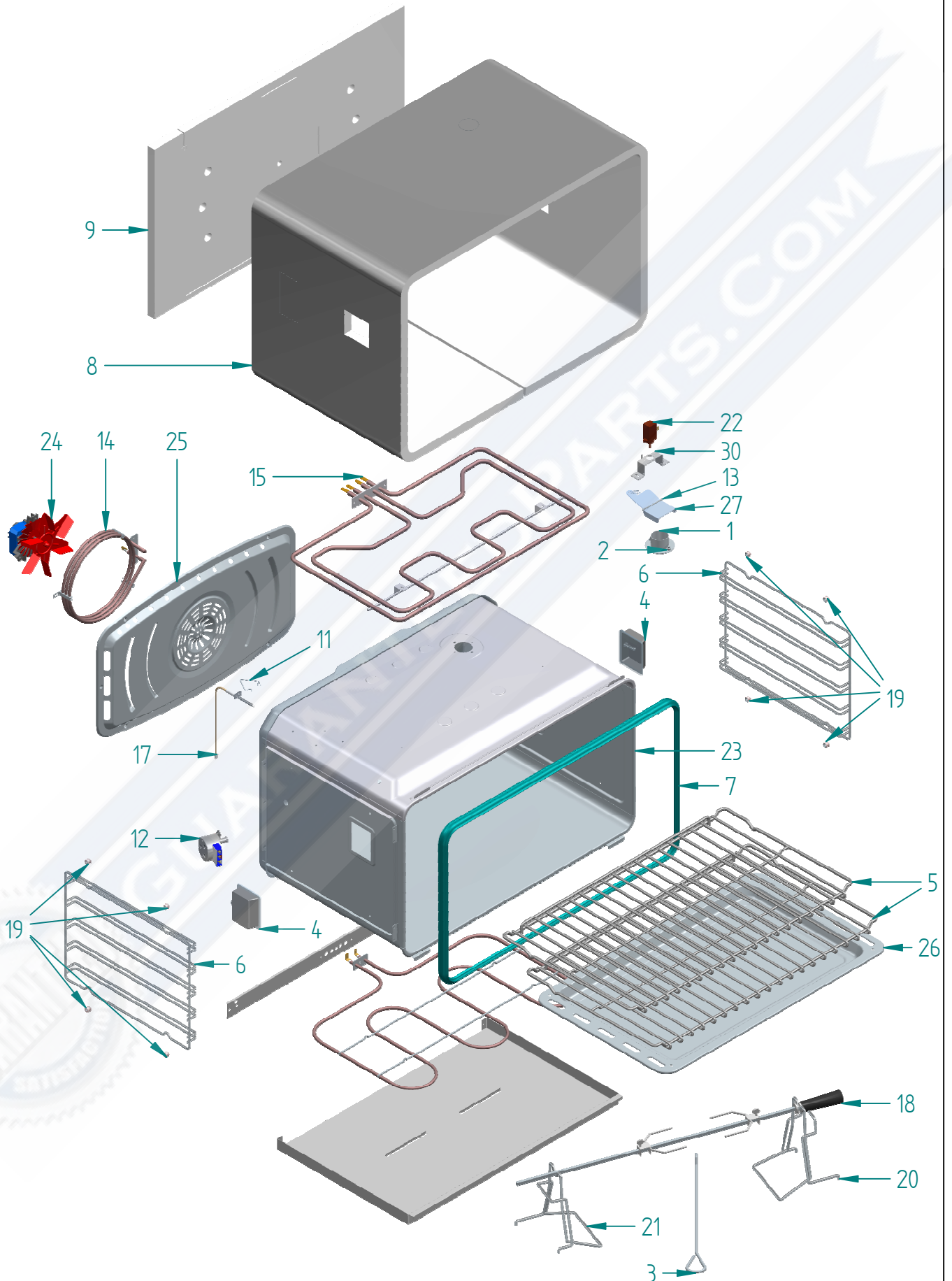
N°	Cod	Descrizione	Inglese	Qtà
1	EA1053002000000	COPRIFORO SPONDINA CLASSIC CASS CUC	HOLE COVER	2
2	EA1059001000000	CONNETTORE EL COMP CASSETT RISC CUC	ELECTRICAL CONNECTOR	2
3	EA2430001000000	GANCIO ARRESTO GUIDA CASS CUC	CLAMP	2
4	EA2690001000000	GUIDA CASS (COPPIA) CUC L450 40KG	DRAWER GUIDE	1
5	EA6011013000000	RESISTENZA UL CASS RISC CUC 600W	RESISTANCE 600W	1
6	EA6585001000000	SPONDA (COPPIA) CASS CUC CLASSIC	SIDE	1
7	EA6827001000008	TARG MARCHIO MAJESTIC NERO NICHEL	PLATE	1
8	EG2330015000808	FRONTALE CASSETTO+CORNICI M09 N-QN		1
9	EG9843008000808	CRUSCOT M096N-QN+VET+CORN INOX-CR	COMPL CTRL BOARD+FRAME M096N-QN	1
10	EL1055015010000	CONTROFRONT CASS SEV +10mm M09 ELZN	INSIDE DRAWER FRONT	1
11	EL2305002010000	FONDO CASSETTO P08/09 MUFF '15	DRAWER BOTTOM	1
12	EP6678009010000	SUPPORTO MORSETTIERA 60A		2
13	ES1067001010000	COPRIMORSETT 60A PER CUCINA UL	TERMINAL BOARD COVER	1
14	ES1068047010000	COPRISCH DX CUC MAJESTIC ELZN	BACK COVER DX MAJESTIC	1
15	ES1068056010000	COPRISCH SX CUC UM09	BACK COVER SX UM09	1
16	ES2307003010000	FONDO CASSETTO RISCALDATO M09	HEATED DRAWER BOTTOM M09	1
17	ES4044007080008	LATERALE REMOV MAJ INOX SX+10mm	SIDE PANEL SX/ST ST	1
18	ES4044008080008	LATERALE REMOV MAJ INOX DX+10mm	SIDE PANEL DX/ST ST	1
19	ES5303001010000	PIASTRINA BLOCCO CONNETTORI M09	LOCK CONNECTORS	1
20	ES5435015080008	PROFILO REMOV DX-SX M09+10 mm INOX	PROFILE FOR M09 / ST.ST.	2
21	ES6651037010000	STAFFA SUPP CONNETTORI CASS RISC		1
22	ES6678063010000	SUPPORTO CONNETTORI CASS RISC MAJ	ELECTRICAL CONNECTOR BOX	1



N°	Cod	Descrizione	Inglese	Qtà
1	EA4355003000000	MOLLA PERNO INN LAT REMOV	SPRING	4
2	EA5265003000000	PERNO INNESTO M4 LAT REMOV	STST PIN	4
3	EA5315003000000	PIEDINO GOMMA D.50 M8 H40 (FILETTO)	RUBBER FEET M8X5	4
4	ES1058018010000	CONV 90 CUC M09/12/15 '19 ELZN	AIR CONVEYER	1
5	ES2306003010000	FONDO CUCINA ELETT 90 ELZN	ELECTRIC COOKER BOTTOM 90 CM ELZN	1
6	ES5245008010000	PARACALOR MUF 80 CUC M09/12/15 ELZN	90 CM COOKER HEAT SHIELD	1
7	ES5308001000008	PIEDINO CUC MAJESTIC H=140 INOX	FOOT FOR MAJESTIC COOKER / ST.ST.	4
8	ES6651016010000	STAFFA PIEDINI CUCINA MAJESTIC ZN	FEET STIRRUP FOR MAJESTIC COOKER	2
9	ES6671005000000	STRUTTURA CUCINA POST M09	REAR COOKER STRUCTURE M09	1
10	ES6671006000000	STRUTTURA CUCINA ANT M09	FRONT COOKER STRUCTURE M09	1
11	ES6671018010000	STRUTT CUC 90 PANNELLO POST ELZN	REAR PANEL FRAME	1
12	ES6671019010000	STRUTT CUC M09 LIST CRUSC ELZN	DASHBOARD STOPPER	1
13	ES6671053010000	STRUTT CUC SUPP SCHIENA MAJESTIC	OVEN BACK SUPPORT	2
14	ES6671056010000	STRUT CUC MAJESTIC LIST SUP SX ELZN	STRUCTURE HIGH STRIP SX	1
15	ES6671057010000	STRUT CUC MAJESTIC LIST SUP DX ELZN	STRUCTURE HIGH STRIP DX	1
16	ES6678066010000	SUP GUI CAS SX M07-09-10-12-15 ELZN	STRIP	1
17	ES6678067010000	SUP GUI CAS DX M07-09-10-12-15 ELZN	STRIP	1
18	ES6678081000000	SUPPORTO COMP MOTORID GIRAR CUC '15	SPIT GERED MOTOR HOLDER SUPPORT	1
19	MA6074001000000	RIVETTO (INSERTO) M4 INOX ES FILO	RIVET	4

GUARANTEE





N°	Cod	Descrizione	Inglese	Qtà
1	EA0888001000000	CAMINO SCA VAP CUC/FOR '15 H=24	CHIMNEY DISCHARGE STEAM KITCHEN	1
2	EA1201007000000	DADO ES M4 DIN 980M INS/MET INOX A2	NUT	2
3	EA1935001000000	ESTRATTORE RESIST E ASTA SPIEDO	RESISTANCE EXTRACTOR AND SPARE	1
4	EA2135002000000	FARETTO AL 120V 25W MUFF '15 UL/CSA	LAMP HOLDER + LAMP	2
5	EA2631004000000	GRIGLIA FOR 80/30"RINFORZATA	OVEN GRILL 80/30"	2
6	EA2632002000000	GRIGLIA LAT MUFF '15 5 CORSIE	OVEN SIDE GRILL	2
7	EA2684004000000	GUARN MUFF '15 FORNO 80	GASKET FOR 80 OVEN	1
8	EA4030003000000	LANA DI VETRO MANTO+FONDO 80 MUF'15	FIBERGLASS MANTLE + BOTTOM 80	1
9	EA4030004000000	LANA DI VETRO SCHIENA 80 MUFF'15	FIBERGLASS OVEN BACK 80	1
10*	EA4355002000000	MOLLA RICHIAMO SCARICO FUMI 645SLZV	SPRING	1
11	EA4355004000000	MOLLA FISS SONDA NTC FILO D1.2 INOX	SPRING	1
12	EA4361001000000	MOTORID GIR UL 50/60HZ L=25 STE '15	SPIT GEARED MOTOR UL	1
13	EA5265001000000	PERNO REG SCARICO VAPORI MUFF '15		1
14	EA6011003000000	RESIST 2100W 230V CIRC '15	CIRCULAR RESISTANCE W2100 V230	1
15	EA6011004000000	RESIST 3645W 240V CIE+GR 80 '15 ABB	TOP/GRILL RESISTANCE 80 W3645 V240	1
16*	EA6011005000000	RESIST 1470W 240V SUOLA 80 '15	BOTTOM RESISTANCE 80 W1470 V240	1
17	EA6551005000000	SONDA PT1000 PIROLIT/PIZZA/TFT	PROBE	1
18	EA6580001000000	SPIEDO FORNO 80/30" DIAG	TRANSVERSE SPIT 80/30"	1
19	EA6678001000000	SUPPORTO GRIGLIA LAT MUFF '15	GRILL SIDE SUPPORT (OVEN)	8
20	EA6678002000000	SUPP DX ASTA SPIEDO MUF 15 60/70/80	SPIT SUPPORT 90X60	1
21	EA6678011000000	SUPP SX ASTA SPIEDO MUF 15 60/70/80	SPIT SUPPORT 90X60	1
22	EA6867001000000	TERMOATTUATORE A CERA 10.0331.07	DAMPER	1
23	EF0898001030000	CAVITA' MUFF 80 MULT '15	80 CM OVEN MUFFLE	1
24	EG4364005000000	MOTOV RADIALE COMPL UL MUFF 30" SO		1
25	EL1070001030000	COPRIVENTOLA MUFF 80 '15 GREZZA	FAN COVER 80 ENAMELLED	1
26	EL4053003030000	LECCARDA 80/90 GREZZA '15	ENAMELLED DRIPPING PAN 80/90	1
27	EP6001003080008	REGOLATORE FLUSSO SCARICO VAPOR '15		1
28*	ES2195001010000	FERMARES INF MUFF 80 '15	HEAT ELEMENT STOP	1
29*	ES5415006010000	PORTARES INF FO 80 ZN	RESISTANCE HOLDER	1
30	ES6678017010000	SUPPORTO ATTUATORE A CERA '15	WAX ACTUATOR SUPPORTO	1