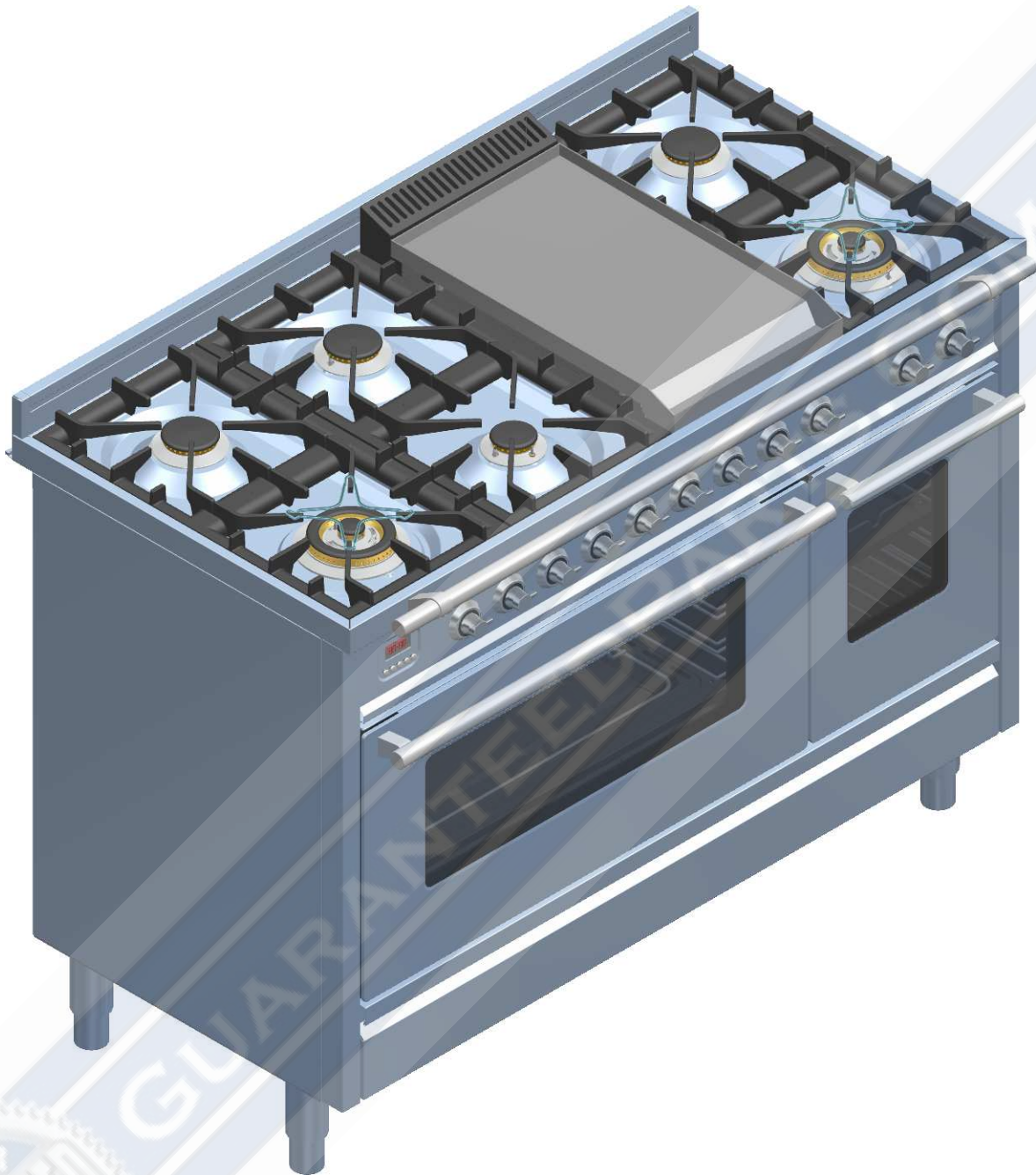


ILVE S.p.a.

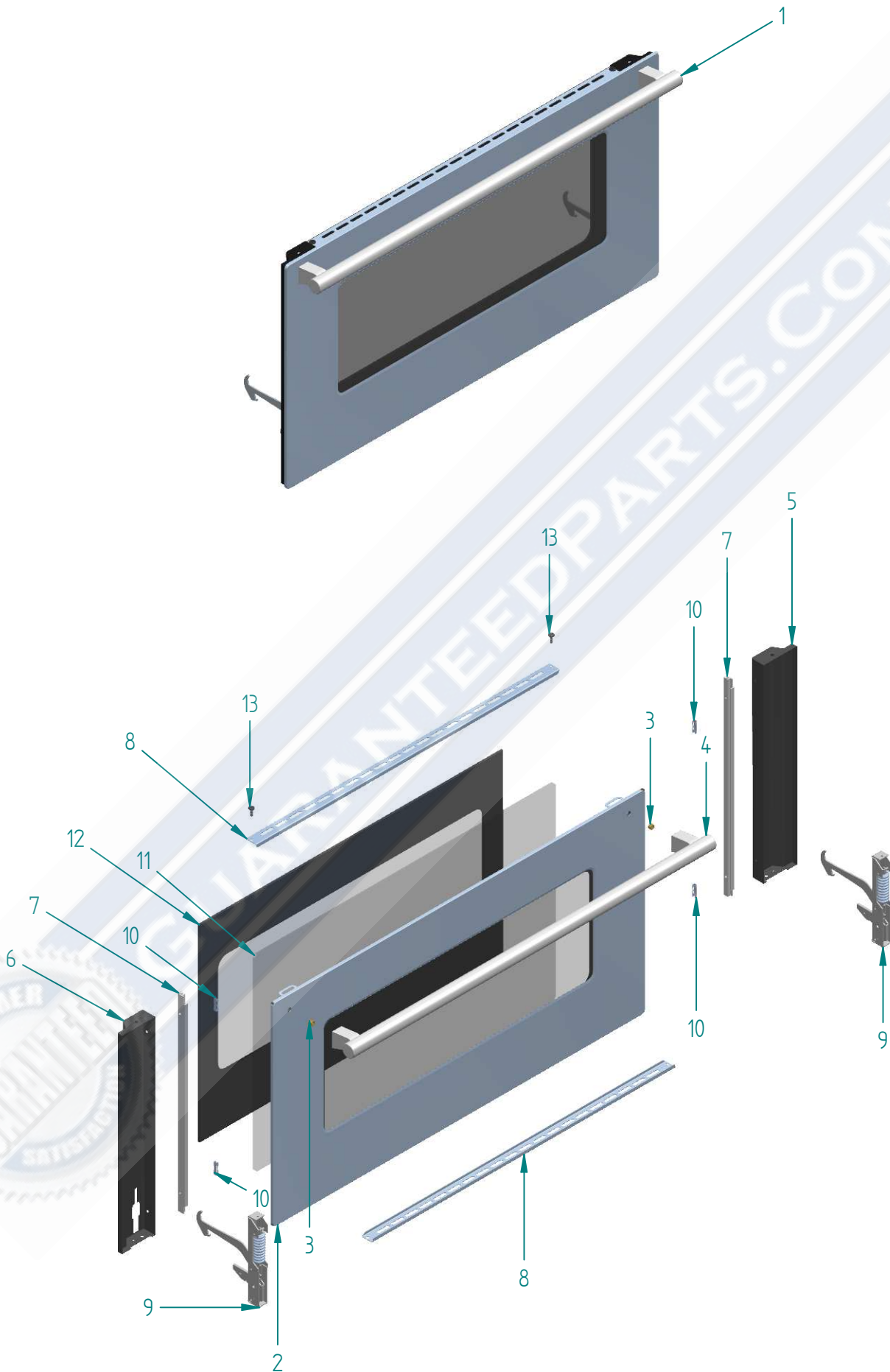
UPW120FDMP

UPW120FDMP

04/01/2017



 **ILVE**
made in italy

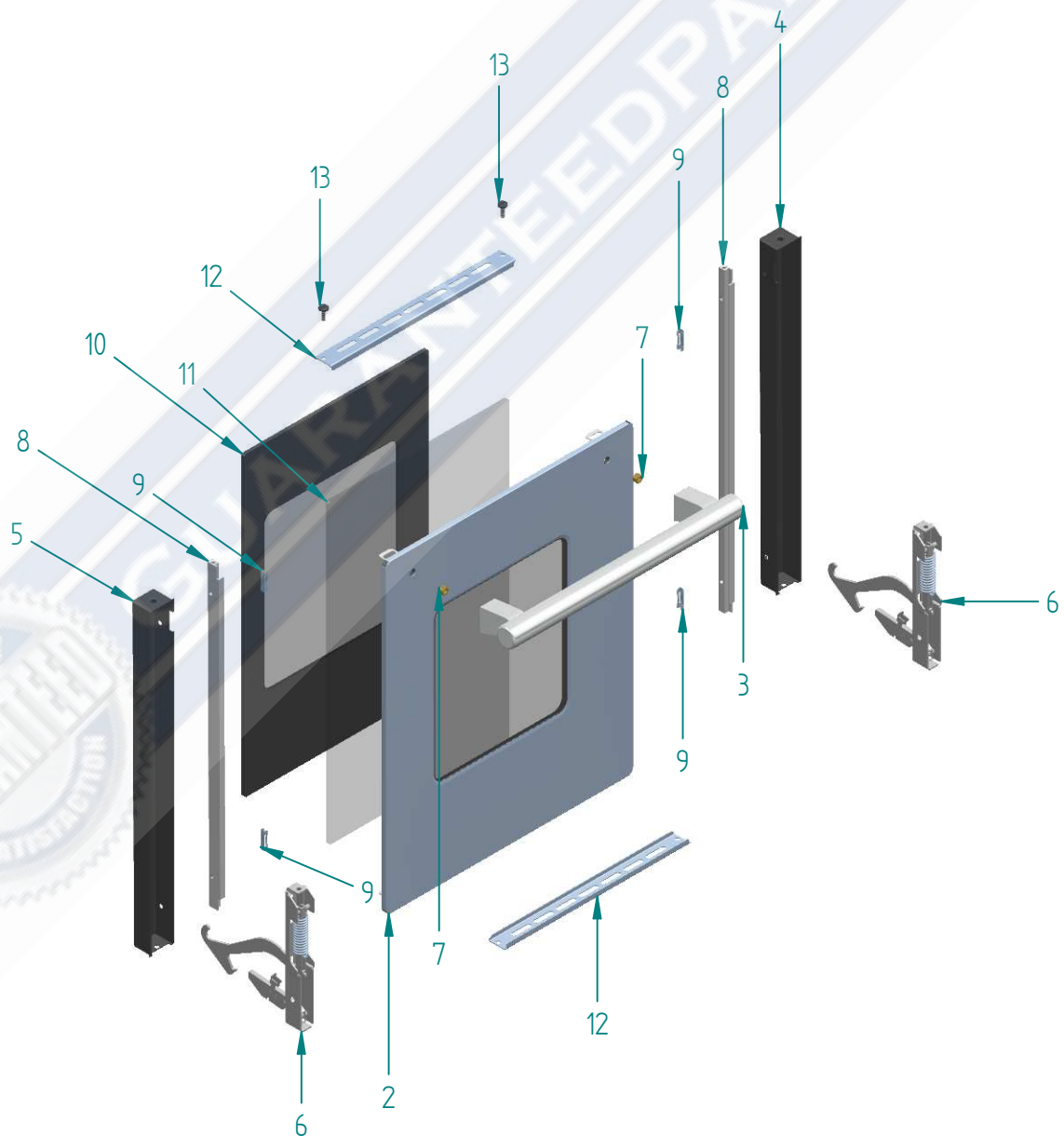
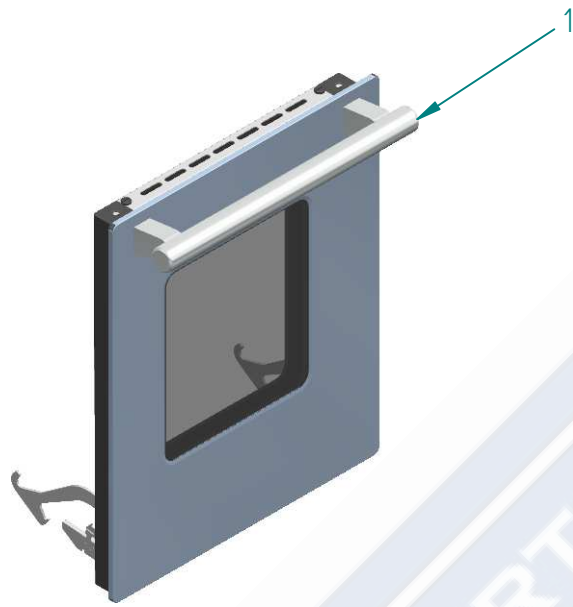


ILVE S.p.a.

UPW120FDMP

04/01/2017

| Num | Nome file | Cod | Descrizione | Qtà |
|-----|--------------|---------------|-------------------------------------|-----|
| 1 | UG738\$.pwd | UG/738/\$\$ | PORTA COMPL 3V UPW120 OBLO' | 1 |
| 2 | G50525\$.pwd | G/505/25/\$\$ | VETRO+PO 80/90 3V I=718 OBLO' | 1 |
| 3 | 347.par | A/065/00 | DISTANZIALE OT H=5,5 MANIGLIA POR | 2 |
| 4 | A11636\$.par | A/116/36/08 | MANIGLIONE D.25 I=718 L=766 INOX | 1 |
| 5 | L3072.par | S/022/28/14 | CONTROPORTA FO 600/800 LAT DX NERO | 1 |
| 6 | L3071.par | S/022/29/14 | CONTROPORTA FO 600/800 LAT SX NERO | 1 |
| 7 | 694.par | A/445/23 | PROFILO GUIDA TRIPLIO VETRO PORTA | 2 |
| 8 | L2915.psm | S/120/06/08 | FERMAVETRO PO 80/90 TR VET INOX USA | 2 |
| 9 | A02845.pwd | A/028/45 | CERNIERA POR FO 90 3V (FARINGOSI) | 2 |
| 10 | 762.par | A/402/13 | MOLLA (CLIP FISSAGGIO) VETRO INTERM | 4 |
| 11 | 693.par | A/504/86/85 | VETRO INTERM PORTA 900 TR VETRO | 1 |
| 12 | 692.par | A/504/86/86 | VETRO INTERNO PORTA 900 TR VETRO | 1 |
| 13 | 077.par | A/602/02 | VITE ZIGR FERMAV/FERMAGR LAT FORNO | 2 |

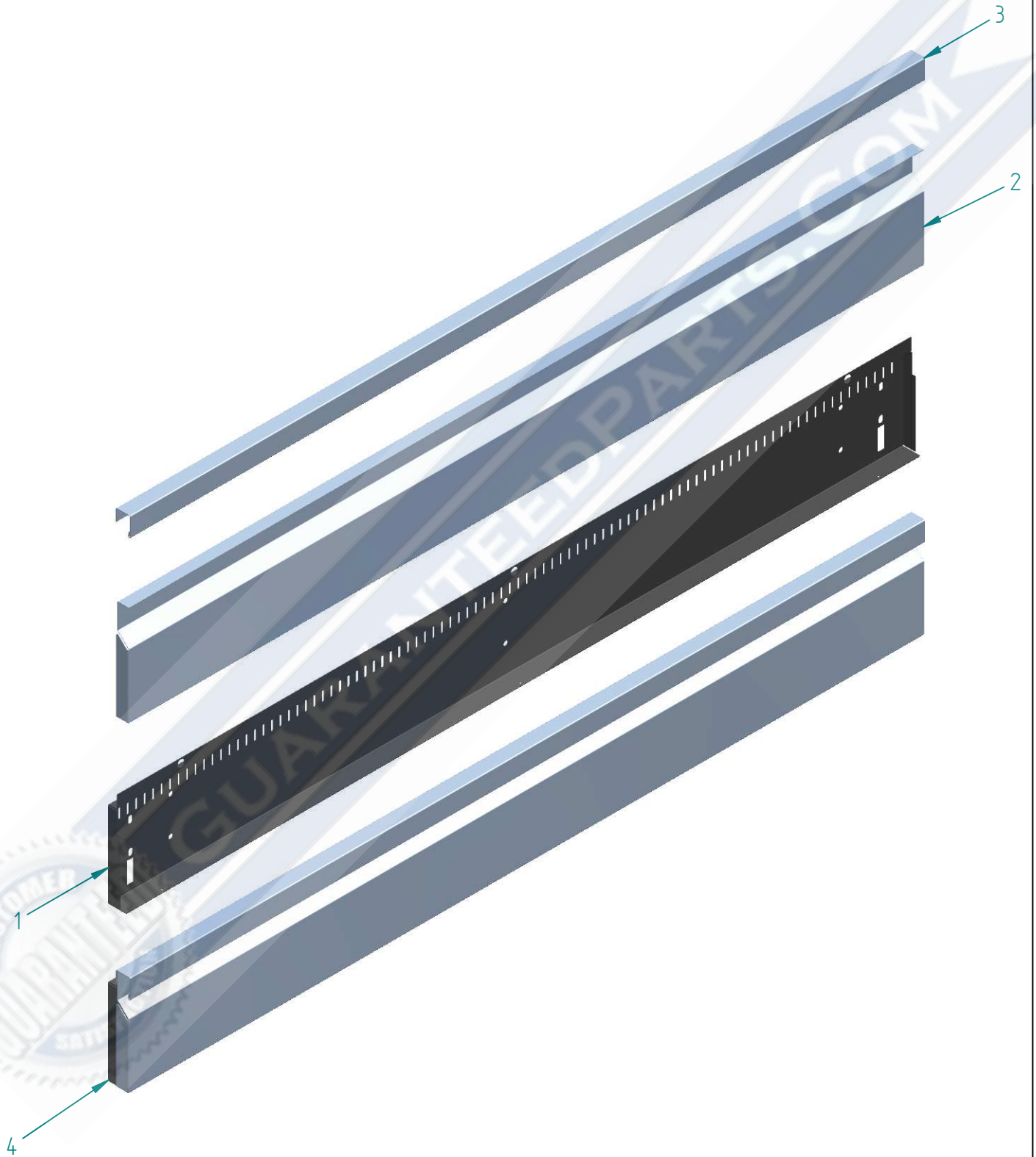


ILVE S.p.a.

UPW120FDMP

04/01/2017

| Num | Nome file | Cod | Descrizione | Qtà |
|-----|------------------|---------------|-------------------------------------|-----|
| 1 | UG739\$\$\$.pwd | UG/739/\$\$ | PORTA COMPL 3V 30 UPDW90 OBLO' | 1 |
| Num | Nome file | Cod | Descrizione | Qtà |
| 2 | G50518\$\$\$.pwd | G/505/18/\$\$ | VETRO+PO PD90 3V 30 OBLO' | 1 |
| 3 | A11634\$\$\$.par | A/116/34/08 | MANIGLIONE D.25 I=260 L=310 INOX | 1 |
| 4 | L3073.par | S/022/30/14 | CONTROPORTA FO 30/40 LAT DX NERO | 1 |
| 5 | L3074.par | S/022/31/14 | CONTROPORTA FO 30/40 LAT SX NERO | 1 |
| 6 | A02846.pwd | A/028/46 | CERNIERA POR FO SCV+30L/FASCE 3V | 2 |
| 7 | 347.par | A/065/00 | DISTANZIALE OT H=5,5 MANIGLIA POR | 2 |
| 8 | 694.par | A/445/23 | PROFILO GUIDA TRIPLO VETRO PORTA | 2 |
| 9 | 762.par | A/402/13 | MOLLA (CLIP FISSAGGIO) VETRO INTERM | 4 |
| 10 | 749.par | A/504/85/82 | VETRO INTERNO PORTA 30 TR VETRO | 1 |
| 11 | 750.par | A/504/85/81 | VETRO INTERM PORTA 30 TR VETRO | 1 |
| 12 | L2916.psm | S/120/07/08 | FERMAVETRO PO 30 TR VET INOX USA | 2 |
| 13 | 077.par | A/602/02 | VITE ZIGR FERMAV/FERMAGR LAT FORNO | 2 |



ILVE S.p.a.

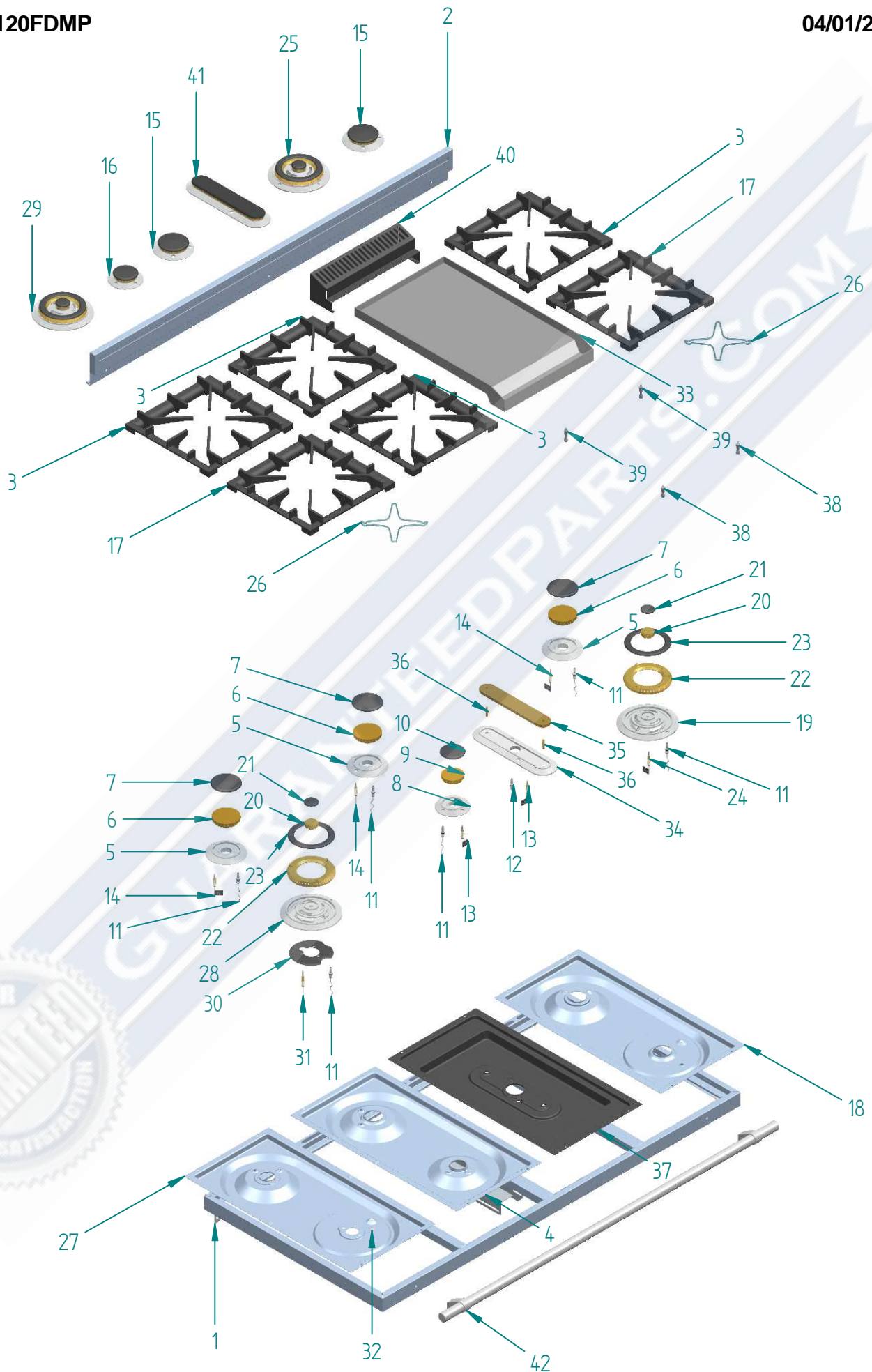
UPW120FDMP

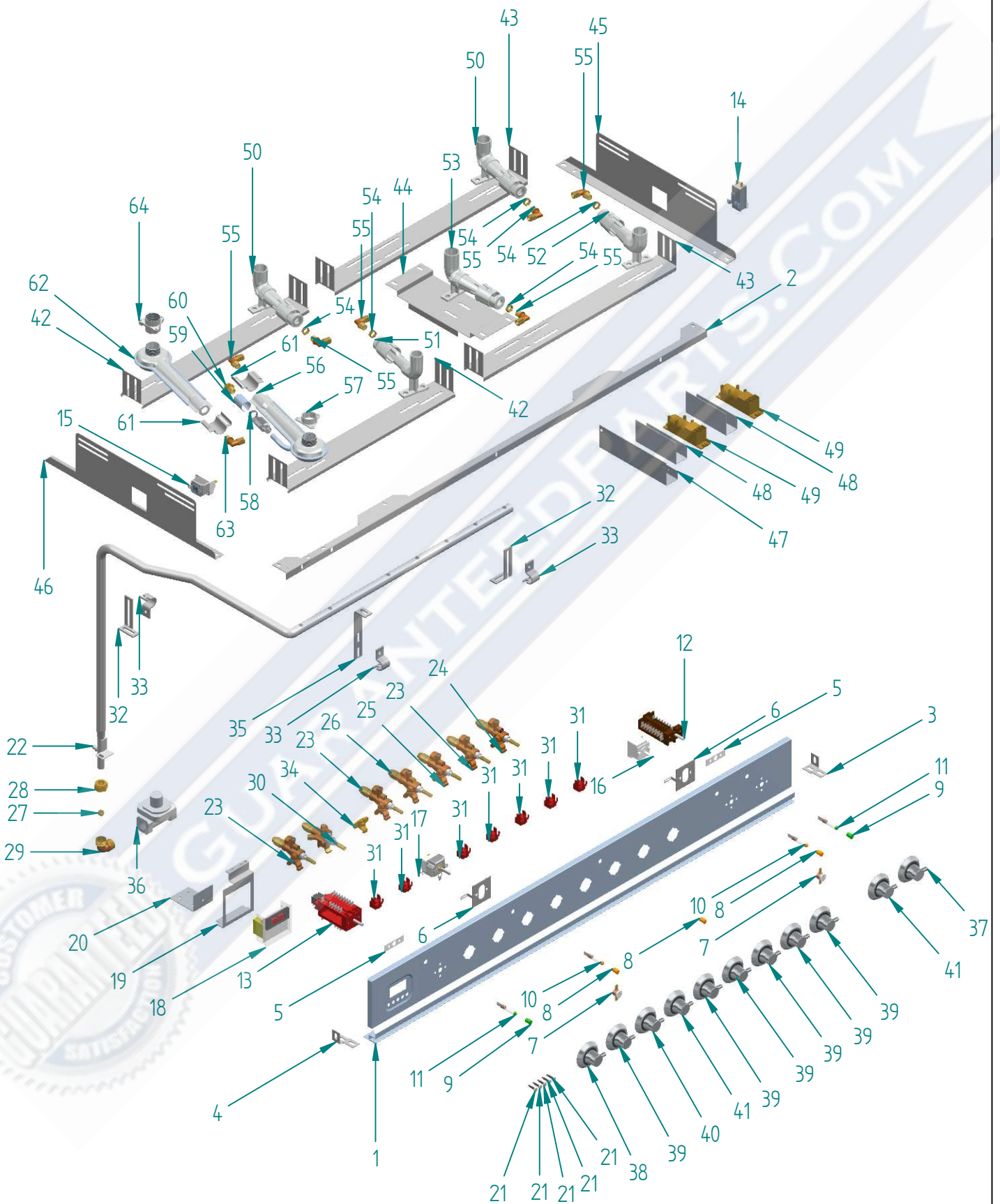
04/01/2017

| Num | Nome file | Cod | Descrizione | Qtà |
|-----|----------------|---------------|-----------------------------------|-----|
| 1 | L1927.psm | S/022/22 | CONTROPORTA SCALDAV/CASS P120 MAT | 1 |
| 2 | L1648.psm | S/196/15/\$\$ | PORTA SCALDAV/CASS T120 | 1 |
| 3 | L1943.psm | S/150/06/\$\$ | MANIGLIONE PO SCA/CASS P120 | 1 |
| 4 | G084\$\$\$.pwd | G/084/\$\$ | FRONTALE COMPL CASS P120 PLUS | 1 |

GUARANTEED PARTS.COM







ILVE S.p.a.

UPW120FDMP

04/01/2017

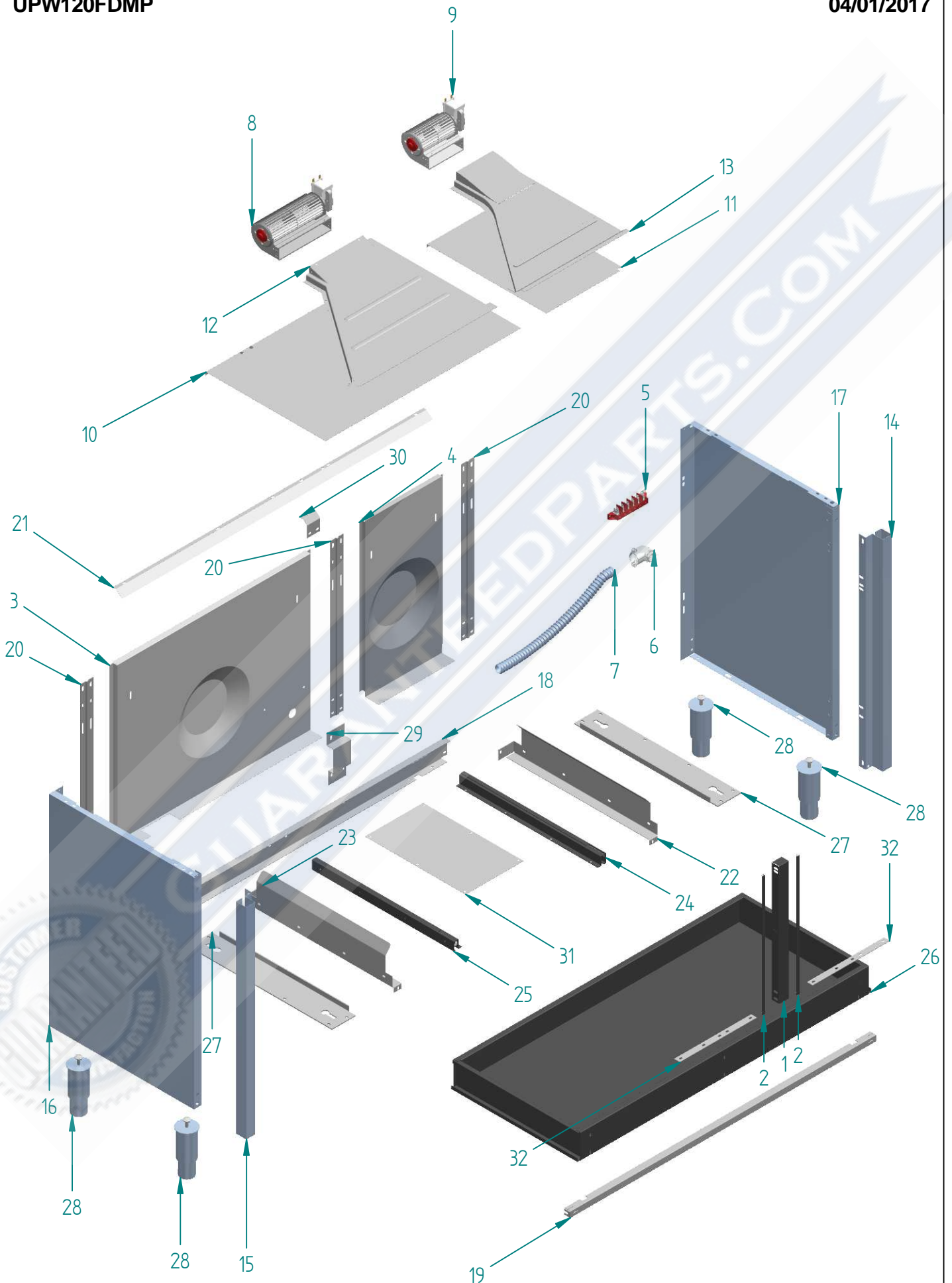
| Num | Nome file | Cod | Descrizione | Qtà | Num | Nome file | Cod | Descrizione | Qtà |
|-----|------------------|---------------|-------------------------------------|-----|-----|--------------|---------------|-------------------------------------|-----|
| 1 | L3168.pwd | S/086/73/\$\$ | CRUSCOTTO CUC UP120F (5T) | 1 | 34 | A42016.par | A/420/16 | PIASTRINA OTTONE COPRI FORO RAMP | 1 |
| 2 | L0111.psm | S/148/13 | LISTELLO FERMA CRUSCOTTO P120 | 1 | 35 | L1464.psm | S/232/05 | SQUADRETTA FERMAR CUCINE (LUNGIELZN | 1 |
| 3 | L2667DX.par | S/232/61 | SQUADRETTA F CRU DX CUC 60/80/PD CH | 1 | 36 | A43700.par | A/437/00 | STABILIZZATORE PRESSIONE CSA | 1 |
| 4 | L2667.psm | S/232/62 | SQUADRETTA F CRU SX CUC 60/80/PD CH | 1 | 37 | G30111\$.pwd | G/301/11/\$\$ | MANOPOLA MAJ-T COMM "E" | 1 |
| 5 | L1048.par | S/231/02 | SPESSORE COMM E TERM | 2 | 38 | G30311\$.pwd | G/303/11/\$\$ | MANOPOLA MAJ-T COMM "M" | 1 |
| 6 | L1759.par | S/237/06 | SUPPORTO TERMOREG 50°C CUC GAS+FOR | 2 | 39 | G34011\$.pwd | G/340/11/\$\$ | MANOPOLA MAJ-T GAS CUC | 6 |
| 7 | A49237_.par | A/492/37 | TERMOREG SIC NA 50°C UL | 2 | 40 | G35311\$.pwd | G/353/11/\$\$ | MANOPOLA MAJ-T GAS CUC DUAL | 1 |
| 8 | A08011.par | A/080/11 | GEMMA SPIA D.10 ARANCIO INCASTRO | 3 | 41 | G36711\$.pwd | G/367/11/\$\$ | MANOPOLA MAJ-T TERM "E/M" °F | 2 |
| 9 | A08012.par | A/080/12 | GEMMA SPIA D.10 VERDE INCASTRO | 2 | 42 | L0473.psm | S/149/07 | LISTELLO PORTABRUCIATORI P60 | 2 |
| 10 | A10626.par | A/106/26 | LAMPADA SPIA D.10 FAST 230 UL | 2 | 43 | L0835.psm | S/149/48 | LISTELLO PORTABR CUC 120-150FRY TOP | 2 |
| 11 | A10627.par | A/106/27 | LAMPADA SPIA D.10 FLUOR 230 UL | 2 | 44 | L0799.psm | S/149/42 | LISTELLO PORTABR FRY TOP | 1 |
| 12 | A03404.par | A/034/04 | COMMUT FORNO ELETTRICO | 1 | 45 | L0432.psm | S/128/91 | LATERALE PORTABR CUC PROFESS DX | 1 |
| 13 | A03411.par | A/034/11 | COMMUT FORNO MULTIF+MICRO LUCI PUSH | 1 | 46 | L0432SX.par | S/128/90 | LATERALE PORTABR CUC PROFESS SX | 1 |
| 14 | A49234.par | A/492/34 | TERMOSTATO SIC FO EL STAT UL | 1 | 47 | L0063.psm | S/236/77 | SUPPORTO TRASF ACC CUC PROFESSIONAL | 1 |
| 15 | A49235.par | A/492/35 | TERMOSTATO SIC FO EL MULT UL | 1 | 48 | A02406.par | A/024/06 | CARTONCINO ISOL NOMEX TRASF 4FUOCHI | 2 |
| 16 | A49204.par | A/492/04 | TERMOSTATO FORNO ELETTRICO | 1 | 49 | A49412.par | A/494/12 | TRASFORMATORE ACC EL 4 FUOCHI (BF | 2 |
| 17 | A49206.par | A/492/06 | TERMOSTATO FORNO MULTIFUNZIONE | 1 | 50 | A0141290.pwd | A/014/12/90 | BRUCIATORE PIPA GRANDE (H=94) | 2 |
| 18 | A44642.par | A/446/42 | PROGR EL145 5T BIPO UL 50/60HZ 230V | 1 | 51 | A0141291.pwd | A/014/12/91 | BRUCIATORE PIPA PICCOLO (H=94) | 1 |
| 19 | L0366.psm | S/236/63 | SUPPORTO PROGR EL145 (5 TASTI) CUC | 1 | 52 | A0141292.pwd | A/014/12/92 | BRUCIATORE PIPA GRANDE (H=80) TC PR | 1 |
| 20 | L2650.psm | S/232/33 | SQUADRETTA BLOCC PR/CON CUC MUF RIB | 1 | 53 | A0141293.pwd | A/014/12/93 | BRUCIATORE PIPA GRANDE (H=86) PESCE | 1 |
| 21 | A491\$\$\$\$.par | A/491/\$\$ | TASTO PROGR EL145/EL2000 | 5 | 54 | 816.par | A/062/22 | DADO FERMA GOMITO CUC M12X1 | 5 |
| 22 | 938.par | A/454/88 | RAMP CUCINA P1207+1 PRESA PRESS | 1 | 55 | A43404.par | A/434/04 | PORTAINIETT A GOMITO GRILL/FUOCHI | 6 |
| 23 | A46643.par | A/466/43 | RUB ALLOG MICRO CUC VALV (40)R-SR | 3 | 56 | A01422.par | A/014/22 | BRUCIATORE SOGLIOLA TC DUAL COMPL | 1 |
| 24 | A46645.par | A/466/45 | RUB ALLOG MICRO CUC VALV (64)TC | 1 | 57 | 706.par | A/082/30 | GHIERA AL 28X12 (GRANDE) | 1 |
| 25 | A46644.par | A/466/44 | RUB ALLOG MICRO CUC VALV (52)P | 1 | 58 | 927.par | A/014/23 | BRUCIATORE (VENTURI) AUX DUAL | 1 |
| 26 | A46657.par | A/466/57 | RUB ALLOG MICRO CUC VALV (32) SR | 1 | 59 | 928.par | A/066/10 | FARFALLA REG BRUCIAT AUX DUAL | 1 |
| 27 | A00400.par | A/004/00 | BICONO FORNI 10 MM | 1 | 60 | 926.par | A/434/06 | PORTAINIETT BRUC AUX DUAL | 1 |
| 28 | A06220.par | A/062/20 | DADO 1/2 D.14 RACCORDO PORTAGOMMA | 1 | 61 | L1462.psm | S/096/00 | FARFALLA REG ARIA BRUC SOGLIOLA | 2 |
| 29 | A45204.par | A/452/04 | RACC CURVO PORTAG (SIRAL) 1/2" PO- | 1 | 62 | 700.par | A/014/21 | BRUCIATORE SOGLIOLA GRANDE ALLUMINA | 1 |
| 30 | A46661.par | A/466/61 | RUB ALLOG MICRO CUC VALV DUAL TC | 1 | 63 | A43404.par | A/434/04 | PORTAINIETT A GOMITO GRILL/FUOCHI | 1 |
| 31 | A40114.par | A/401/14 | MICROINT ACC RUB SABAF CUC | 7 | 64 | 895.par | A/082/33 | GHIERA AL 28X29 R PIANO XL PROFESS | 1 |
| 32 | L2597.psm | S/232/63 | SQUADRETTA FERMAR CU/FO 30/10 ZN CH | 2 | | | | | |
| 33 | L1465.psm | S/004/02 | BRIGLIA RAMP FORNO ELZN | 3 | | | | | |

ILVE S.p.a.

Tav.-6-

UPW120FDMP

04/01/2017

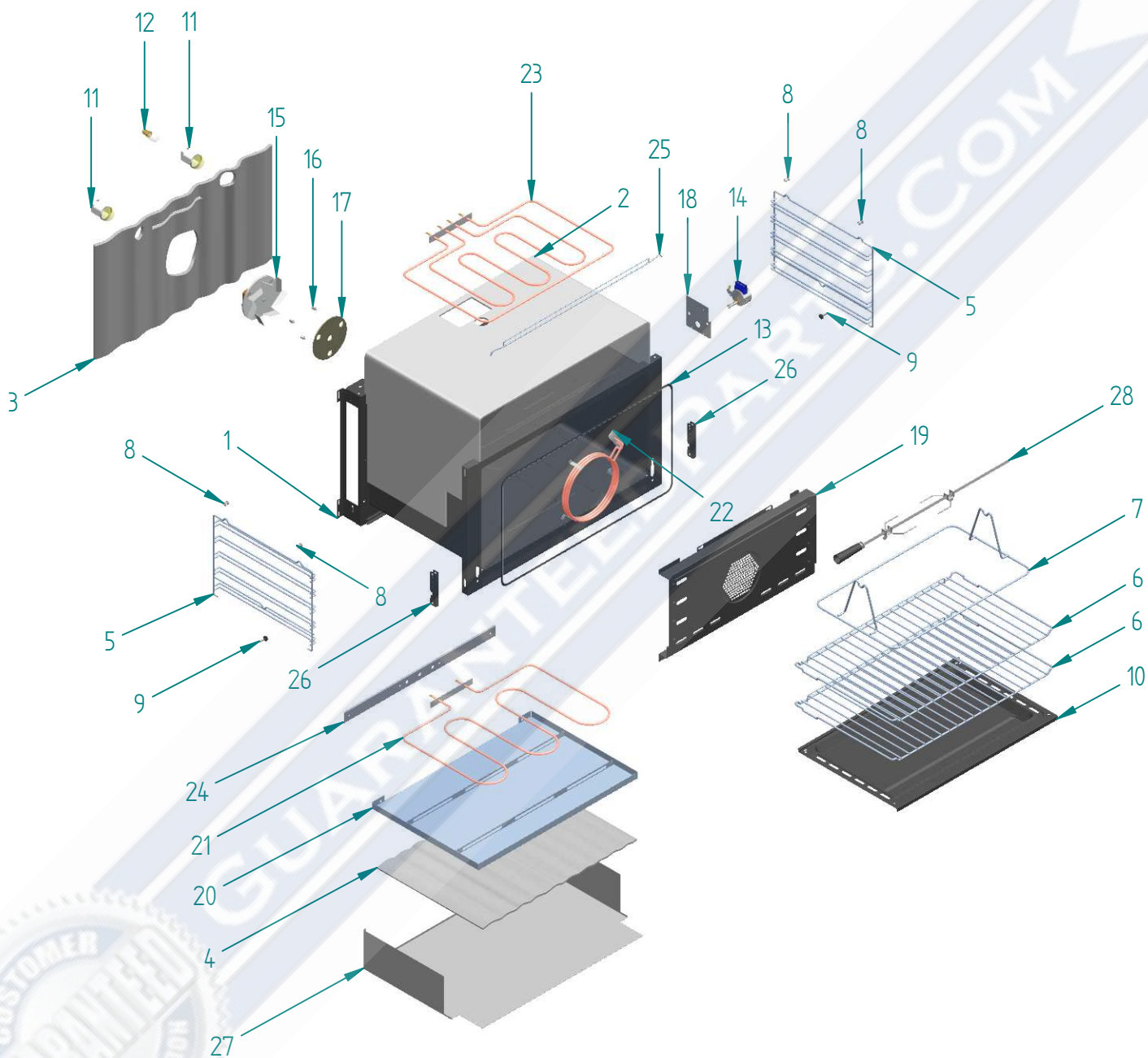


ILVE S.p.a.

UPW120FDMP

04/01/2017

| Num | Nome file | Cod | Descrizione | Qtà |
|-----|-------------|---------------|---|-----|
| 1 | L2834.psm | S/151/25 | LISTELLO DIV FO P120-MD100 MU RI SM | 1 |
| 2 | 710.par | A/094/13 | GUARNIZIONE COPRI FUGA DOPPIO FORNO | 2 |
| 3 | L3190.psm | S/036/00/30 | COPRISCH CUC APP 80/90 MULT USA | 1 |
| 4 | L3187.psm | S/036/84 | COPRISCH CUC USA PD90/P120 30CM | 1 |
| 5 | A40423.par | A/404/23 | MORSETTIERA 5POLI+TERRA UL FV273/6-FV122/B | 1 |
| 6 | A45206.pwd | A/452/06 | RACCORDO TUBO FLEX 90° 3/4" UL/CSA | 1 |
| 7 | A49812.par | A/498/12 | TUBO FLEX PROTEZIONE CAVI (3/4) UL | 1 |
| 8 | A40607.pwd | A/406/07 | MOTOV TANG L=180 120V CLASSE H UL | 1 |
| 9 | A40615.pwd | A/406/15 | MOTOV TANG L=120 120V CLASSE H UL | 1 |
| 10 | L2818.psm | S/172/47 | PARACALORE CUC 80/90 MULT MUF RIB | 1 |
| 11 | L2828.psm | S/172/42 | PARACALORE CUC 30CM P120 MUF RIB | 1 |
| 12 | L0002PR.par | S/024/50 | CONV CUC 90 COMP/PROF MUFF RIB | 1 |
| 13 | L0001PR.par | S/024/55 | CONVOGLIATORE ARIA CUCINA 60 MUFFOLA CH. | 1 |
| 14 | L0264.psm | S/210/64/\$\$ | PROFILO CUC P120 DX | 1 |
| 15 | L0264SX.par | S/210/65/\$\$ | PROFILO CUC P120 SX | 1 |
| 16 | L0019.psm | S/128/42/\$\$ | LATERALE CUC PROFESS SX | 1 |
| 17 | L0019DX.par | S/128/41/\$\$ | LATERALE CUC PROFESS DX | 1 |
| 18 | L0131.psm | S/148/25 | LISTELLO FERMACUC P-PD120 POST INF | 1 |
| 19 | L1929.psm | S/149/94 | LISTELLO FERMACUC P120 PL ANT INF | 1 |
| 20 | L0298.psm | S/212/07 | PROLUNGA LAT POST P120-P76 | 3 |
| 21 | L1600.psm | S/212/27 | PROLUNGA COPRISCHIENA P-PD120B | 1 |
| 22 | L1169DX.par | S/149/71 | LISTELLO PORTAG CASS QUADRA DX | 1 |
| 23 | L1169.psm | S/149/72 | LISTELLO PORTAG CASS QUADRA SX | 1 |
| 24 | A09610.pwd | A/096/10 | GUIDA INF/SUP DX CASS PC96 L=500 | 1 |
| 25 | A09611.pwd | A/096/11 | GUIDA INF/SUP SX CASS PC96 L=500 | 1 |
| 26 | L1953.pwd | S/012/22/10 | CASSETTO CUC P120 MAT | 1 |
| 27 | L0136.psm | S/234/12 | STAFFA PER PIEDINI PD90/P120/P150 D | 2 |
| 28 | 606.pwd | A/422/13 | PIEDINO REGISTRABILE H 100-160 | 4 |
| 29 | L0409.Psm | S/225/01 | SOSTEGNO POST INF CENTR P120 | 1 |
| 30 | L1367.psm | S/234/13 | STAFFA PROL COPRISC P120 | 1 |
| 31 | L3178.psm | S/029/00 | COPRI LANA DI VET CENTR CUC 120/150 | 1 |
| 32 | L0128.par | S/148/97 | LISTELLO ANCOR INF MUFFOLE PD90 | 2 |

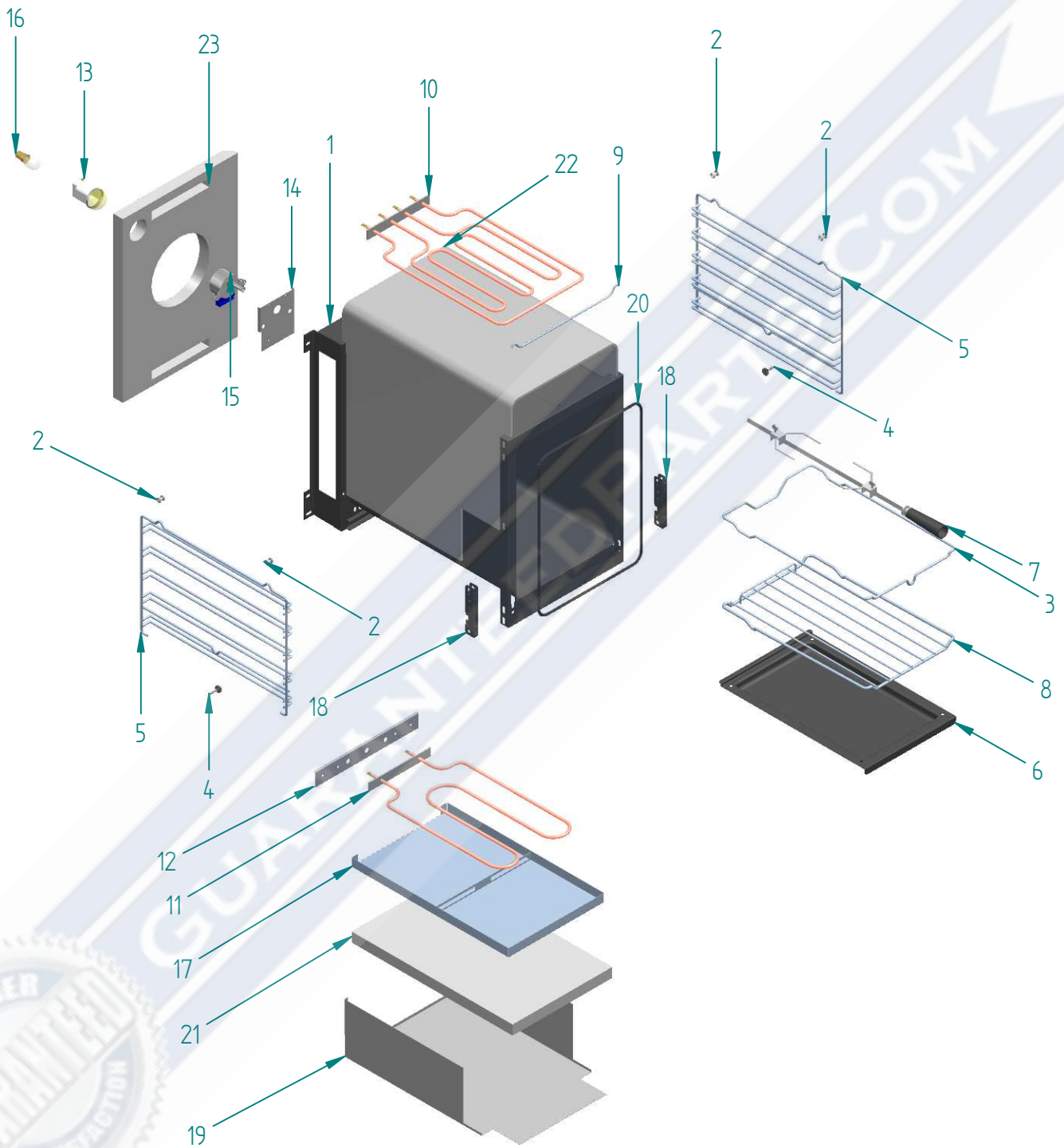


ILVE S.p.a.

UPW120FDMP

04/01/2017

| Num | Nome file | Cod | Descrizione | Qtà |
|-----|--------------|-------------|-------------------------------------|-----|
| 1 | L2679.pwd | S/162/17/14 | MUFFOLA 80/90 MULTIF CH NERO | 1 |
| 2 | 418.psm | A/108/12 | LANA DI VETRO MANTELLO 900 | 1 |
| 3 | 168.par | A/108/26 | LANA DI VETRO SCHIENA FORNO 90 MULT | 1 |
| 4 | 760.par | A/108/04 | LANA DI VETRO FONDO 800/900/948 | 1 |
| 5 | 848.par | A/092/43 | GRIGLIA LAT FORNO MUFF CHIUSA 5 COR | 2 |
| 6 | 348.par | A/092/39 | GRIGLIA FORNO 90X60 RINFORZATA USA | 2 |
| 7 | 167.par | A/482/10 | SUPP GIRAR DIS 167 FORNO/CUCINA 90 | 1 |
| 8 | A48212.par | A/482/12 | SUPPORTO GRIGLIA LAT. (FORNO) | 4 |
| 9 | 851.par | A/602/03 | VITE ZIGR FERMAGR LAT MUFF CHIUSA | 2 |
| 10 | L1263.psm | S/146/04 | LECCARDA 80/90 NERO | 1 |
| 11 | A43602.par | A/436/02 | PORTAL+LAMPADA 110V | 2 |
| 12 | A10600.par | A/106/00 | LAMPADA FORNO 110V | 1 |
| 13 | A09470.par | A/094/70 | GUARN MUFF MATR 09154/A 900 CHIUSA | 1 |
| 14 | A4060302.par | A/406/03/02 | MOTORID GIRARR (UL) 120V 60HZ | 1 |
| 15 | G40623.pwd | G/406/23 | MOTOVENTILATORE COMPL 120V 60HZ UL | 1 |
| 16 | 914.pwd | A/602/05 | VITE FISS MOTORE RADIALE | 1 |
| 17 | A09420.par | A/094/20 | GUARN MOTOV RAD CARTONE TERMORES | 1 |
| 18 | L0338.psm | S/236/98 | SUPPORTO MOTORIDUTTORE | 1 |
| 19 | L4579.pwd | S/038/01 | COPRIVENTOLA 800/900 SMALTATO | 1 |
| 20 | L4029.pwd | S/206/11 | PORTARES INF 80/90 MUFF CH | 1 |
| 21 | A45872.par | A/458/72 | RESIST 1500W 230V SUOLA 900 | 1 |
| 22 | A45834.par | A/458/34 | RESIST 2400W 230V CIRCOLARE | 1 |
| 23 | A45838.par | A/458/38 | RESIST 3100W 230V CIE+GRILL 900 | 1 |
| 24 | L2065.psm | S/118/27 | FERMARES INF FO 70/80/90 MUFF CH | 1 |
| 25 | 091.par | A/438/02 | SUPPORTO RESIST SUP 900 | 1 |
| 26 | A46804.par | A/468/04 | RULLINO+PORTARULL CERN TN (FARING) | 2 |
| 27 | L2068B.psm | S/228/03 | SOTTOFONDO FORNO 80/90 MUFF CH | 1 |
| 28 | A48002.pwd | A/480/02 | SPIEDO FORNO 8/90 TRASV L=565MM | 1 |



ILVE S.p.a.

UPW120FDMP

04/01/2017

| Num | Nome file | Cod | Descrizione | Qtà |
|-----|--------------|-------------|-------------------------------------|-----|
| 1 | L2603.pwd | S/162/31/14 | MUFFOLA 30 ELETTR STAT CH NERO | 1 |
| 2 | A48212.par | A/482/12 | SUPPORTO GRIGLIA LAT. (FORNO) | 4 |
| 3 | 742.par | A/482/31 | SUPP GIRAR MINIFORNO (5 CORSIE) | 1 |
| 4 | 851.par | A/602/03 | VITE ZIGR FERMAGR LAT MUFF CHIUSA | 2 |
| 5 | 848.par | A/092/43 | GRIGLIA LAT FORNO MUFF CHIUSA 5 COR | 2 |
| 6 | L1262.psm | S/146/16 | LECCARDA MINIFORNO Ø900 E PD90 NERO | 1 |
| 7 | A48000.pwd | A/480/00 | SPIEDO FORNO 30/40/EX 60 L=415mm | 1 |
| 8 | 306.par | A/092/33 | GRIGLIA FORNO 30 | 1 |
| 9 | 308.par | A/438/04 | SUPPORTO RESIST SUP MINIF Ø900/PD90 | 1 |
| 10 | A45878.par | A/458/78 | RESIST 2300W 230V CIEL+GR MINIF | 1 |
| 11 | A45876.par | A/458/76 | RESIST 800W 230V SUOLA MINIFORN | 1 |
| 12 | L2585.psm | S/118/30 | FERMARES INF FO 30 MUFF CH | 1 |
| 13 | A43602.par | A/436/02 | PORTAL+LAMPADA 110V | 1 |
| 14 | L0338.psm | S/236/98 | SUPPORTO MOTORIDUTTORE | 1 |
| 15 | A4060302.par | A/406/03/02 | MOTORID GIRARR (UL) 120V 60HZ | 1 |
| 16 | A10600.par | A/106/00 | LAMPADA FORNO 110V | 1 |
| 17 | L4025.pwd | S/206/21 | PORTARES INF FO 30 MUFF CH | 1 |
| 18 | A46804.par | A/468/04 | RULLINO+PORTARULL CERN TN (FARING) | 2 |
| 19 | L2589B.psm | S/228/06 | SOTTOFONDO MUFFOLA DA 30 CHIUSA | 1 |
| 20 | A09472.par | A/094/72 | GUARN MUFF MATR 09154/A 30 CHIUSA | 1 |
| 21 | 441.par | A/108/05 | LANA DI VETRO FONDO MINIFORNO | 1 |
| 22 | 442.psm | A/108/07 | LANA DI VETRO MANTELLO MINIFORNO | 1 |
| 23 | 443.par | A/108/15 | LANA DI VETRO SCHIENA MINIFORNO | 1 |