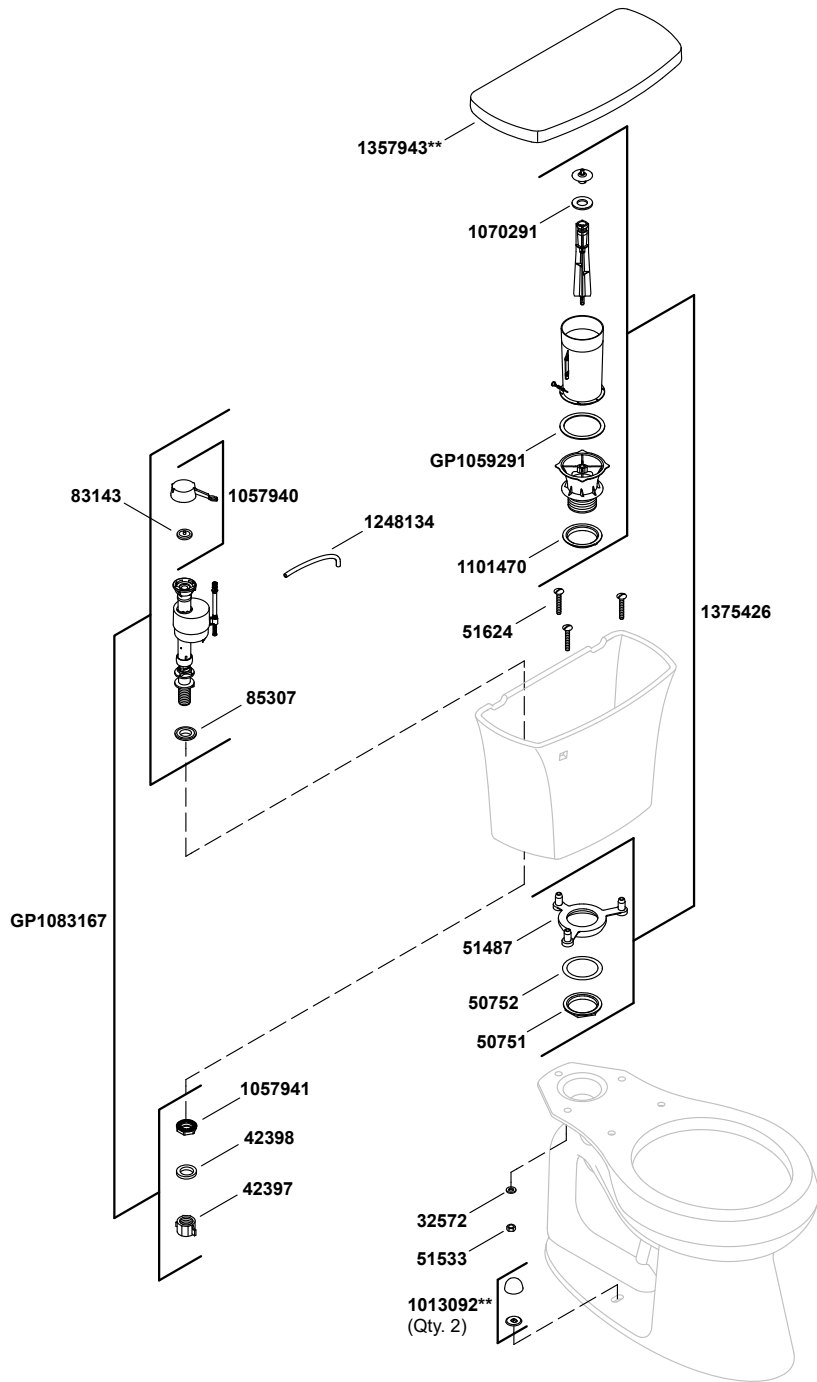




The Complete Solution® two-piece elongated toilet, 1.28 gpf  
K-78279

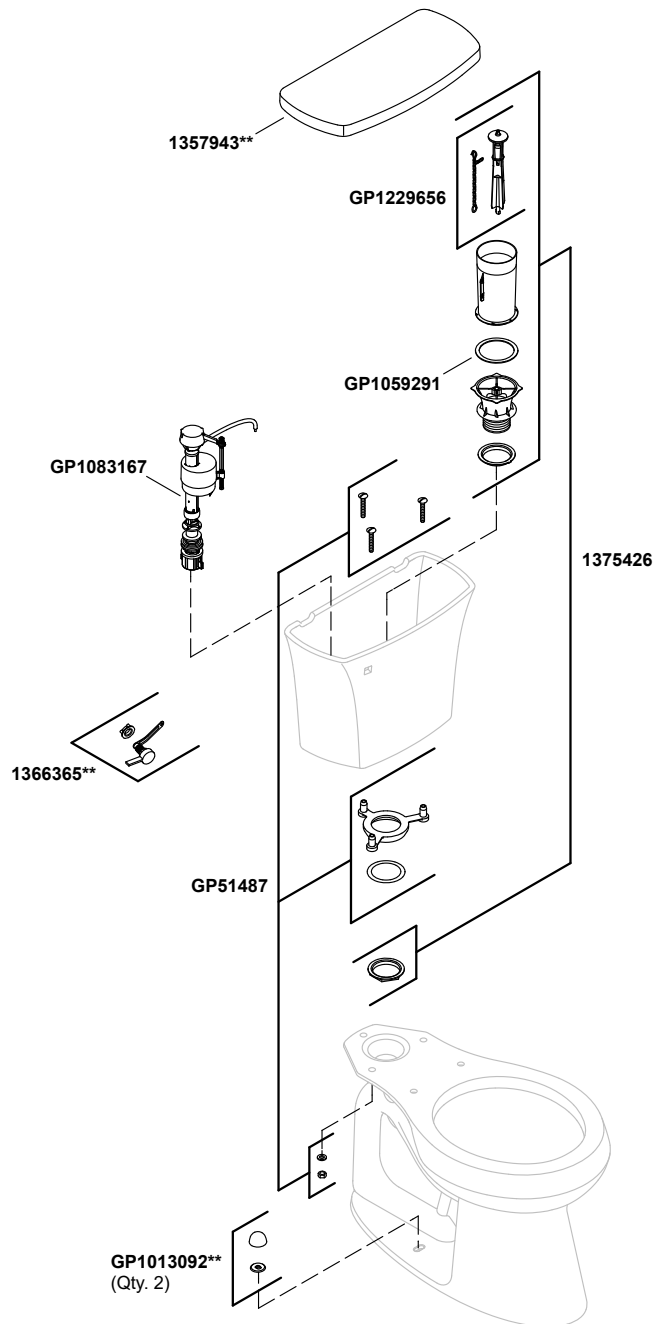
If your fill valve appears like the one below, replace with **1468016**

**1366365\*\***  
**78132**





The Complete Solution® two-piece elongated toilet, 1.28 gpf  
K-78279



\*\*Finish/color code must be specified when ordering.

1480143-8-A

©2022 Kohler Co.