

XV NO.	ITEM NO.	ITEM NO. DESC.	SECTION
1	1410259	TOP COVER	OUTSIDE PANEL
2	1410626	ASSY EVA COVER	OUTSIDE PANEL
3	1410415	SIDE PANEL L	OUTSIDE PANEL
4	1410416	SIDE PANEL R	OUTSIDE PANEL
5	1410227	COVER-JOINT BOX	OUTSIDE PANEL
6	1410422	BACK PANEL	OUTSIDE PANEL
7	1410287	HINGE BRACKET	OUTSIDE PANEL
8	1410288	HINGE BRACKET DOWN	OUTSIDE PANEL
9	1410619	ASSY JUNCTION BOX SUB	OUTSIDE PANEL
10	1410589	DISPLAY PCB ASSY	OUTSIDE PANEL
11	1410177	FOAM PE(SPACE LAMP)	OUTSIDE PANEL
12	1410112	BRACKET LED LAMP ASSY	OUTSIDE PANEL
13	1410219	ICE BLOCK	OUTSIDE PANEL
14	1410214	BRACKET TOP SUPPORT	OUTSIDE PANEL
15	1410658	LED LAMP SHEET	OUTSIDE PANEL
16	1410703	LED LAMP SUB ASSY	OUTSIDE PANEL
17	1410018	NUT HEX-M3	OUTSIDE PANEL
18	1410493	WATER BLOCK SIDE L	OUTSIDE PANEL
19	1410494	WATER BLOCK SIDE R	OUTSIDE PANEL
20	1415233	FRONT PANEL TOTAL ASSY	OUTSIDE PANEL
21	1410122	JOINT BOX	OUTSIDE PANEL
22	1410388	FRONT TOP SUPPORT	OUTSIDE PANEL
23	1410389	FRONT DOWN SUPPORT	OUTSIDE PANEL
24	1410386	HINGE SUPPORT BRACKET	OUTSIDE PANEL
25	1410387	HINGE SUPPORT	OUTSIDE PANEL
1	1410264	BASE PLATE BOTTOM	INSIDE PANEL
2	1410265	BASE PLATE TOP	INSIDE PANEL
3	1410350	EVAP FRAME ONE COVER	INSIDE PANEL
4	1410351	EVAP FRAME TWO	INSIDE PANEL
5	1410354	EVAP FRAME THREE	INSIDE PANEL
6	1410353	EVAP FRAME ONE	INSIDE PANEL
7	1410438	FRAME LEFT	INSIDE PANEL
8	1410439	FRAME RIGHT	INSIDE PANEL
9	1410442	FRAME BACK LEFT	INSIDE PANEL
10	1410443	FRAME BACK RIGHT	INSIDE PANEL
11	1410441	FRAME TOP LEFT	INSIDE PANEL
12	1410440	FRAME TOP RIGHT	INSIDE PANEL
13	1410444	FRAME BACK	INSIDE PANEL
1	1410626	ASSY EVA COVER	SPONGE
2	1410213	EVAP ROOF COVER	SPONGE
3	1410742	GASKET LEFT	SPONGE
3-1	1410743	GASKET RIGHT	SPONGE
4	1410739	GASKET UP DOWN	SPONGE
5	1410175	FOAM PE(DISPLAY)	SPONGE
6	1410170	FOAM PE(R FRONT)	SPONGE
7	1410168	FOAM PE(L)	SPONGE
8	1410174	FOAM PE (R,L)	SPONGE
9	1410169	FOAM PE(L FRONT)	SPONGE
10	1410167	FOAM PE (R)	SPONGE
11	1410165	FOAM PE(EVAP COVER)	SPONGE
12	1410166	FOAM PE	SPONGE
13	1410172	FOAM PE	SPONGE
14	1410171	FOAM PE	SPONGE
15	1410173	FOAM PE	SPONGE
16	1410185	FOAM PE	SPONGE
1	1410625	ASSY TOP SENSOR ICE	MACHINE TOTAL ASS'Y
2	1410566	ASSY EVAPORATOR-H	MACHINE TOTAL ASS'Y
3	1410610	ASSY BUDER	MACHINE TOTAL ASS'Y
4	1410298	DISTRIBUDER PIPE	MACHINE TOTAL ASS'Y
5	1410191	BUSHING	MACHINE TOTAL ASS'Y
6	1410299	INNER DISTRIBUDER PIPE	MACHINE TOTAL ASS'Y
7	1410276	RIGHT PIPE CAP	MACHINE TOTAL ASS'Y
8	1410275	LEFT PIPE CAP	MACHINE TOTAL ASS'Y
9	1410685	WATER CURTAIN ASSY	MACHINE TOTAL ASS'Y
10	1410692	WATER CURTAIN SUB ASSY	MACHINE TOTAL ASS'Y
11	1410726	WATER CURTAIN	MACHINE TOTAL ASS'Y
12	1410391	HANGER	MACHINE TOTAL ASS'Y
13	1410293	MOLDING MAGNET	MACHINE TOTAL ASS'Y
14	1410193	SUPPORT PCB	MACHINE TOTAL ASS'Y
15	1410009	HAND SCREW	MACHINE TOTAL ASS'Y
16	1410691	ASSY PUMP HOSE SUB	MACHINE TOTAL ASS'Y
17	1410049	WATER PUMP OUT HOSE	MACHINE TOTAL ASS'Y
18	1410313	PIPE	MACHINE TOTAL ASS'Y
19	1410050	HOSE T	MACHINE TOTAL ASS'Y
20	1410032	CLAMP HOSE	MACHINE TOTAL ASS'Y
21	1410051	CLAMP HOSE	MACHINE TOTAL ASS'Y
22	1410278	RIGHT PIPE CAP	MACHINE TOTAL ASS'Y
23	1410528	PUMP MOTOR ASS'Y	MACHINE TOTAL ASS'Y
24	1410699	ASSY FLOAT SUB	MACHINE TOTAL ASS'Y



KCM-1100-AH

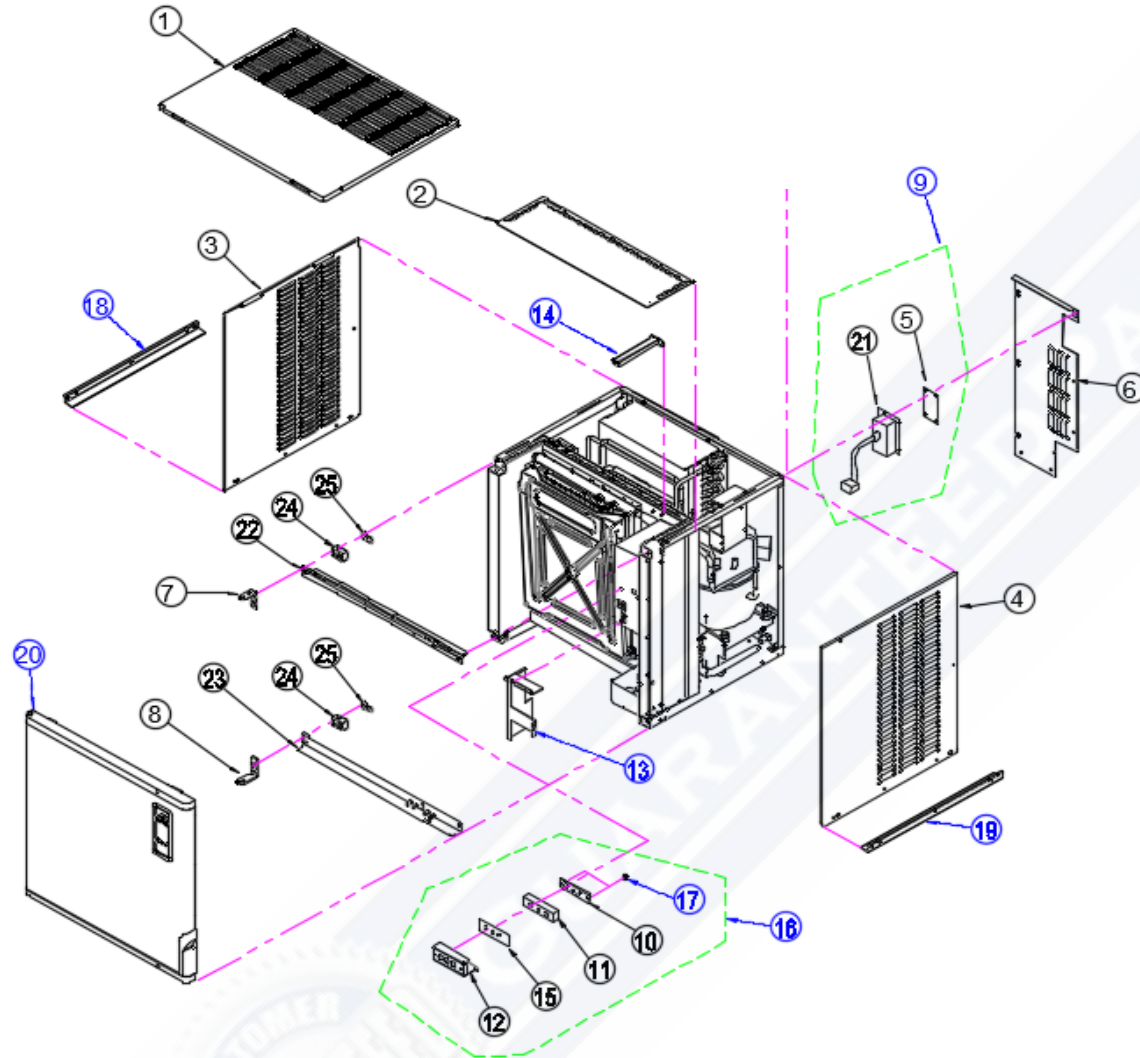
25	1410696	FLOAT ASSY	MACHINE TOTAL ASS'Y
26	1410400	BRACKET FLOAT	MACHINE TOTAL ASS'Y
27	1410519	EQUAL STRAIGHT CONNERTOR	MACHINE TOTAL ASS'Y
28	1410048	PE TUBE(O.D 1/4")	MACHINE TOTAL ASS'Y
0	1410566	ASSY EVAPORATOR-H	EVAPORATOR ASS'Y
1		EVAPORATOR PLATING ASSY-H	EVAPORATOR ASS'Y
2	1410360	EVAP FRAME R	EVAPORATOR ASS'Y
3	1410359	EVAP FRAME L	EVAPORATOR ASS'Y
4	1410673	EVAP FRAME TOP ASSY	EVAPORATOR ASS'Y
5	1410356	EVA FRAME DOWN	EVAPORATOR ASS'Y
6	1410026	FL CLIP (PC)	EVAPORATOR ASS'Y
7	1410776	NUT HEX(M4, STS304)	EVAPORATOR ASS'Y
8	1410023	HEX NUT(M4xL18)	EVAPORATOR ASS'Y
9		SENSOR MAGNET HOUSING	EVAPORATOR ASS'Y
10		ASSY SENSOR MAGNET	EVAPORATOR ASS'Y
11	1415133	MAGNET SENSOR BRACKET	EVAPORATOR ASS'Y
12	1410766	ASSY SENSOR MAGNET SUB	EVAPORATOR ASS'Y
13	1415256	ASSY SENSOR MAGNET SUB	EVAPORATOR ASS'Y
1	1410613	CONTROL BOX ASSY	CONTROL BOX & TOP SENSOR ASS'Y
2	1410110	CONTROL BOX COVER	CONTROL BOX & TOP SENSOR ASS'Y
3	1410108	CONTROL BOX	CONTROL BOX & TOP SENSOR ASS'Y
4	1410591	ASSY PCB	CONTROL BOX & TOP SENSOR ASS'Y
5	1410291	MAGNET CONTACTOR(2a1b)	CONTROL BOX & TOP SENSOR ASS'Y
6	1410109	BRACKET MAGNET	CONTROL BOX & TOP SENSOR ASS'Y
7	1410459	S/W 2L	CONTROL BOX & TOP SENSOR ASS'Y
8	1410457	3L S/W MAIN(6P,15A,250VAC)	CONTROL BOX & TOP SENSOR ASS'Y
9	1410064	BUSHING	CONTROL BOX & TOP SENSOR ASS'Y
10	1410066	GROMMET BUSHING	CONTROL BOX & TOP SENSOR ASS'Y
11	1410625	ASSY TOP SENSOR ICE	CONTROL BOX & TOP SENSOR ASS'Y
12	1410731	SENSOR HINGE	CONTROL BOX & TOP SENSOR ASS'Y
13	1410736	SENSOR ICE	CONTROL BOX & TOP SENSOR ASS'Y
14	1410008	SCREW TOP SENSOR	CONTROL BOX & TOP SENSOR ASS'Y
15	1410484	HARNES SENSOR TOP	CONTROL BOX & TOP SENSOR ASS'Y
1	1410709	WATER-THROUGH	WATER-THROUGH ASSY
2	1410146	PLUG	WATER-THROUGH ASSY
3	1410015	BOLT WATER-THROUGH IN/OUT	WATER-THROUGH ASSY
4	1410019	WATER-THROUGH NUT	WATER-THROUGH ASSY
5	1410111	WATER-THROUGH GUIDE	WATER-THROUGH ASSY
6	1410141	PACKING NIPPLE	WATER-THROUGH ASSY
7	1410065	BUSHING	WATER-THROUGH ASSY
8	1410068	GROMMET BUSHING	WATER-THROUGH ASSY
1	1410052	ELBOW HOSE	WATER IN OUT
2	1410053	DRAIN HOSE	WATER IN OUT
3	1410002	BAND SPRING 23	WATER IN OUT
4	1410216	BRACKET ICE MAKING WATER	WATER IN OUT
5	1410520	STRAIGHT ADAPTOR	WATER IN OUT
6	1410021	SOCKET (3/4" NPT)	WATER IN OUT
7	1410022	SOCKET (3/8" NPT)	WATER IN OUT
8	1410164	FOAM PE (PUMP MOTOR IN/OUT HOSE)	WATER IN OUT
9	1410368	WATER VALVE	WATER IN OUT
10	1410249	BRACKET DRAIN & WATER VALVE	WATER IN OUT
11	1410003	BAND SPRING 21	WATER IN OUT
12	1410577	WATER IN OUT ASSY-NPT(SOCKET)	WATER IN OUT
13	1410595	DRAIN VALVE ASSY	WATER IN OUT
1	1410576	CONDENSER ASSY	ASS'Y-UNIT
2-1	1410446	FAN MOTOR	ASS'Y-UNIT
2-2	1410186	FAN GRILL	ASS'Y-UNIT
2-3	1410187	FAN	ASS'Y-UNIT
3	1410115	BASE PLATE COMP	ASS'Y-UNIT
4	1410512	COMP	ASS'Y-UNIT
5	1410074	BRACKET CAPACITOR	ASS'Y-UNIT
6	1410514	CAPACITOR HOLDER	ASS'Y-UNIT
7	1410472	STRAT RELAY	ASS'Y-UNIT
8	1410760	RUN CAPACITOR	ASS'Y-UNIT
9	1410758	START CAPACITOR	ASS'Y-UNIT
10	1410105	BRACKET THERMOSTAT	ASS'Y-UNIT
11	1410464	PRESSURE SWITCH	ASS'Y-UNIT
12	1410476	FILTER DRYER	ASS'Y-UNIT
13	1410627	ASSY HIGH PRESSURE SWITCH	ASS'Y-UNIT
14	1410717	STRAINER	ASS'Y-UNIT
15	1410369	SOLENOID VALVE COIL	ASS'Y-UNIT
16	1410367	SOLENOID VALVE BODY	ASS'Y-UNIT
17	1410374	SOLENOID VALVE PLUG	ASS'Y-UNIT
18	1410361	EXPANSION VALVE	ASS'Y-UNIT
19	1410157	FOAM PE(EXPANSION)	ASS'Y-UNIT
20			ASS'Y-UNIT
21			ASS'Y-UNIT
1	1410315	DISCHARGE PIPE ASSY	Cycle ASS'Y
2	1410647	HEAT EXCHANGE PIPE ASSY	Cycle ASS'Y
3	1410312	HOT GAS PIPE-500A	Cycle ASS'Y



KCM-1100-AH

KCM-1100-AH (115V 60 Hz)

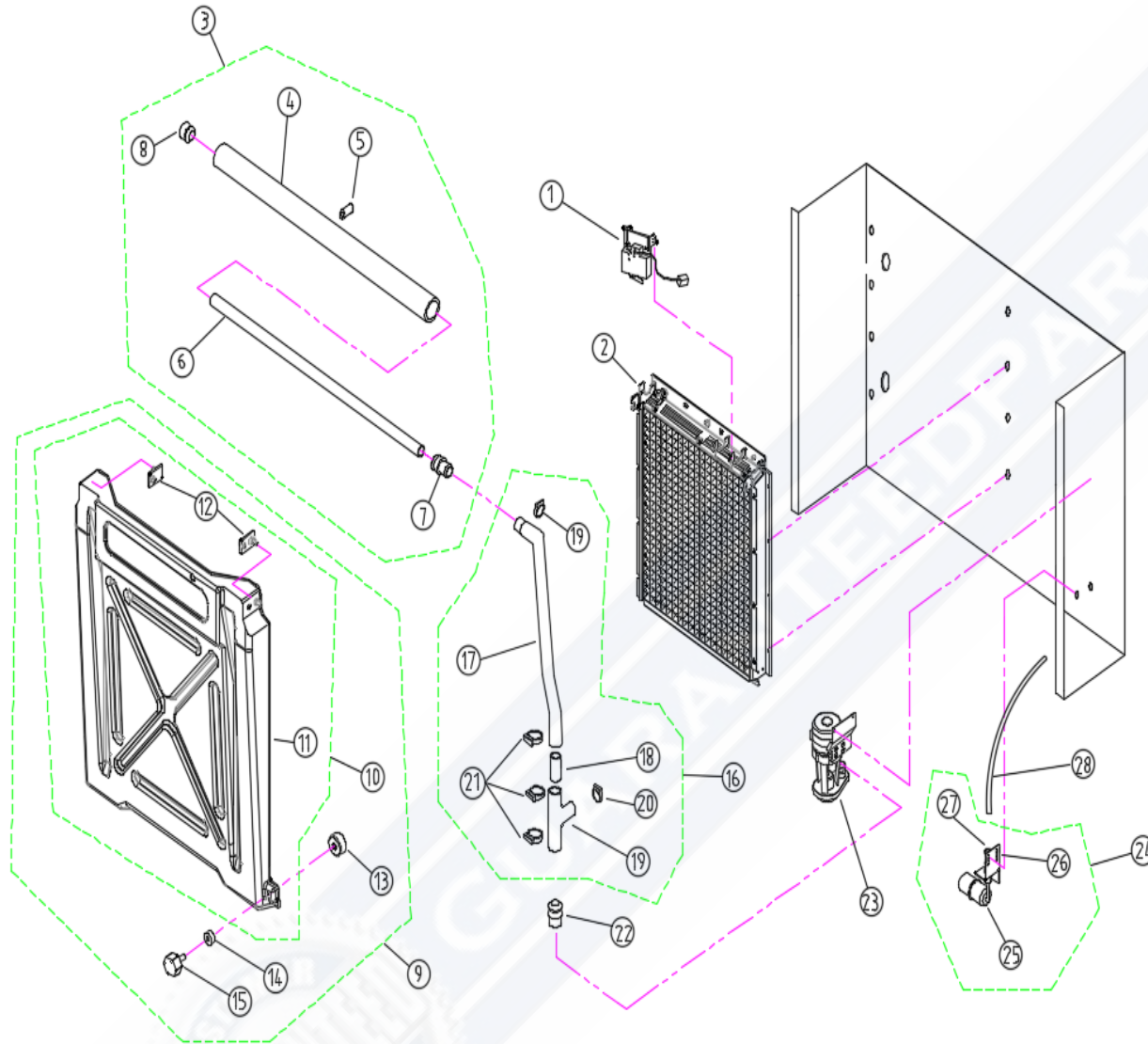
[OUTSIDE PANEL]



NO	ITEMS	* CODE
1	TOP COVER	317197000
2	ASSY EVA COVER	427026000
3	SIDE PANEL L	349076300
4	SIDE PANEL R	349076400
5	COVER-JOINT BOX	317159100
6	BACK PANEL	349085200
7	HINGE BRACKET	321005100
8	HINGE BRACKET DOWN	321005202
9	ASSY JUNCTION BOX SUB	426064800
10	DISPLAY PCB ASSY	415001200
11	FOAM PE(SPACE LAMP)	306031800
12	BRACKET LED LAMP ASSY	301117900
13	ICE BLOCK	317153310
14	BRACKET TOP SUPPORT	317142701
15	LED LAMP SHEET	440032000
16	LED LAMP SUB ASSY	484000300
17	NUT HEX-M3	215000600
18	WATER BLOCK SIDE L	386006300
19	WATER BLOCK SIDE R	386006400
20	FRONT PANEL TOTAL ASSY	432042600
21	JOINT BOX	301133600
22	FRONT TOP SUPPORT	341012401
23	FRONT DOWN SUPPORT	341012501
24	HINGE SUPPORT BRACKET	341012200
25	HINGE SUPPORT	341012300

KCM-1100-AH

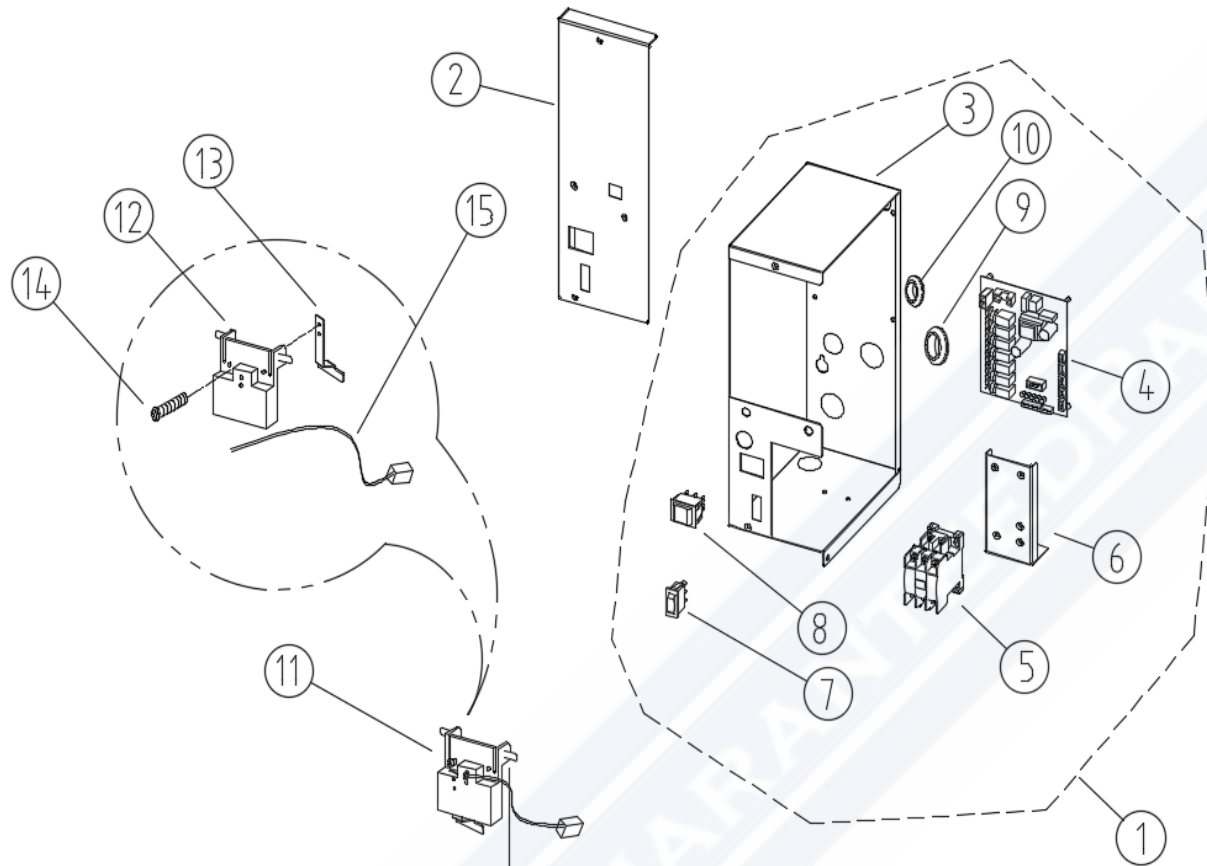
[MACHINE TOTAL ASS'Y]



NO	ITEMS	* CODE
1	ASSY TOP SENSOR ICE	427025900
2	ASSY EVAPORATOR-H	409041210
3	ASSY BUDER	426051700
4	DISTRIBUDER PIPE	325026201
5	BUSHING	310004301
6	INNER DISTRIBUDER PIPE	325026300
7	RIGHT PIPE CAP	319004401
8	LEFT PIPE CAP	319004301
9	WATER CURTAIN ASSY	468012300
10	WATER CURTAIN SUB ASSY	468016300
11	WATER CURTAIN	635001900
12	HANGER	341012902
13	MOLDING MAGNET	322005600
14	SUPPORT PCB	314011700
15	HAND SCREW	210804501
16	ASSY PUMP HOSE SUB	468016200
17	WATER PUMP OUT HOSE	229026300
18	PIPE	325088000
19	HOSE T	229026500
20	CLAMP HOSE	229008100
21	CLAMP HOSE	229026600
22	RIGHT PIPE CAP	319006500
23	PUMP MOTOR ASS'Y	406010400
24	ASSY FLOAT SUB	470002400
25	FLOAT ASSY	470001400
26	BRACKET FLOAT	341014000
27	EQUAL STRAIGHT CONNERTOR	398012200
28	PE TUBE(O.D 1/4")	229013600

KCM-1100-AH

[CONTROL BOX & TOP SENSOR ASS'Y]



NO	ITEMS	CODE
1	CONTROL BOX ASSY	426056001
2	CONTROL BOX COVER	301115100
3	CONTROL BOX	301114810
4	ASSY PCB	415008807
5	MAGNET CONTACTOR(2a1b)	322002700
6	BRACKET MAGNET	301115000
7	S/W 2L	355009100
8	3L S/W MAIN(6P,15A,250VAC)	355007100
9	BUSHING	232000400
10	GROMMET BUSHING	232003500
11	ASSY TOP SENSOR ICE	427025900
12	SENSOR HINGE	655002500
13	SENSOR ICE	655009200
14	SCREW TOP SENSOR	210803800
15	HARNESS SENSOR TOP	377019000

