

XV NO.	ITEM NO.	ITEM NO. DESC.	SECTION
1	1410256	TOP COVER	OUT CASE ASSY
2	1410418	SIDE PANEL L	OUT CASE ASSY
3	1410417	SIDE PANEL R	OUT CASE ASSY
4	1410420	BACK PANEL	OUT CASE ASSY
5	1410635	FRONT UPPER COVER ASSY	OUT CASE ASSY
6	1410636	FRONT LOWER COVER ASSY	OUT CASE ASSY
7	1410623	ASSY EVA COVER	OUT CASE ASSY
8	1410490	WATER BLOCK SIDE	OUT CASE ASSY
9	1410491	WATER BLOCK SIDE_RIGHT	OUT CASE ASSY
10	1410492	WATER BLOCK BACK	OUT CASE ASSY
0	1410635	FRONT UPPER COVER ASSY	FRONT UPPER COVER ASSY
1	1410656	BUTTON FRAME	FRONT UPPER COVER ASSY
2	1410789	FRONT UPPER COVER	FRONT UPPER COVER ASSY
3	1410457	3L S/W MAIN(6P,15A,250VAC)	FRONT UPPER COVER ASSY
4	1410657	FRONT DISPLAY	FRONT UPPER COVER ASSY
5	1410084	BRACKET PCB	FRONT UPPER COVER ASSY
6	1410193	SUPPORT PCB	FRONT UPPER COVER ASSY
6-1	1410010	SCREW(FH,M3,14, MFZN)	FRONT UPPER COVER ASSY
7	1410589	DISPLAY PCB ASSY	FRONT UPPER COVER ASSY
8	1410176	FOAM PE (FRONT UPPER)	FRONT UPPER COVER ASSY
9	1410790	COVER FRONT UPPER	FRONT UPPER COVER ASSY
1	1410636	FRONT LOWER COVER ASSY	FRONT LOWER COVER ASSY
2	1410067	GROMMET BUSHING	FRONT LOWER COVER ASSY
3	1410392	FRONT LOWER CAP	FRONT LOWER COVER ASSY
4	1410242	WATER GUIDE (P)	FRONT LOWER COVER ASSY
0	1410616	CONTROL BOX ASSY	CONTROL BOX TOTAL ASSY
1	1410223	CONTROL BOX	CONTROL BOX TOTAL ASSY
2	1410463	PUSH BUTTON	CONTROL BOX TOTAL ASSY
3	1410065	BUSHING	CONTROL BOX TOTAL ASSY
4	1410064	BUSHING	CONTROL BOX TOTAL ASSY
5	1410459	S/W 2L	CONTROL BOX TOTAL ASSY
6	1410458	COVER S/W	CONTROL BOX TOTAL ASSY
7	1410291	MAGNET	CONTROL BOX TOTAL ASSY
8	1410591	ASSY PCB	CONTROL BOX TOTAL ASSY
9	1410224	CONTROL BOX COVER	CONTROL BOX TOTAL ASSY
10	1410772	SCREW(PH,M3*6)	CONTROL BOX TOTAL ASSY
1	1410222	BASE PLATE COMP	WATER IN/OUT ASSY
2	1410021	SOCKET	WATER IN/OUT ASSY
2-1	1410773	SCREW MACHINE(TH M4*12)	WATER IN/OUT ASSY
3	1410375	WATER INLET VALVE	WATER IN/OUT ASSY
3-1	1410773	SCREW MACHINE(TH M4*12)	WATER IN/OUT ASSY
4	1410004	BAND SPRING 15	WATER IN/OUT ASSY
5	1410057	BRAIDED SILICONE HOSE(ID8.0 OD15.0)	WATER IN/OUT ASSY
6	1410523	TUBE TO HOSE STEM(3/8", PI251212S)	WATER IN/OUT ASSY
7	1410522	REDUCING STRAIGHT(3/8", PI201208S)	WATER IN/OUT ASSY
8	1410370	WATER VALVE(DRAIN)	WATER IN/OUT ASSY
9	1410055	HOSE CONNECT	WATER IN/OUT ASSY
10	1410056	HOSE CONNECT OUT	WATER IN/OUT ASSY
11	1410002	BAND SPRING 23	WATER IN/OUT ASSY
12	1410580	INLET WATER VALVE ASSY	WATER IN/OUT ASSY
13	1410601	DRAIN VALVE ASSY	WATER IN/OUT ASSY
0	1410562	ASSY EVAPORATOR-H	EVAPORATOR PLATING ASSY
1	1410557	EVAPORATOR PLATING ASSY(H)	EVAPORATOR PLATING ASSY
2	1410357	EVAP FRAME (L)	EVAPORATOR PLATING ASSY
3	1410358	EVAP FRAME (R)	EVAPORATOR PLATING ASSY
4	1410355	EVAP FRAME DOWN	EVAPORATOR PLATING ASSY
5	1410674	EVAP FRAME TOP ASSY	EVAPORATOR PLATING ASSY
6	1410026	FL CLIP(PC)	EVAPORATOR PLATING ASSY
7	1410275	LEFT PIPE CAP	EVAPORATOR PLATING ASSY
8	1410316	DISTRIBUTOR PIPE	EVAPORATOR PLATING ASSY
9	1410191	BUSHING	EVAPORATOR PLATING ASSY
10	1410317	INNER DISTRIBUTOR PIPE	EVAPORATOR PLATING ASSY
11	1410276	RIGHT PIPE CAP	EVAPORATOR PLATING ASSY
12	1410625	ASSY TOP SENSOR ICE	EVAPORATOR PLATING ASSY

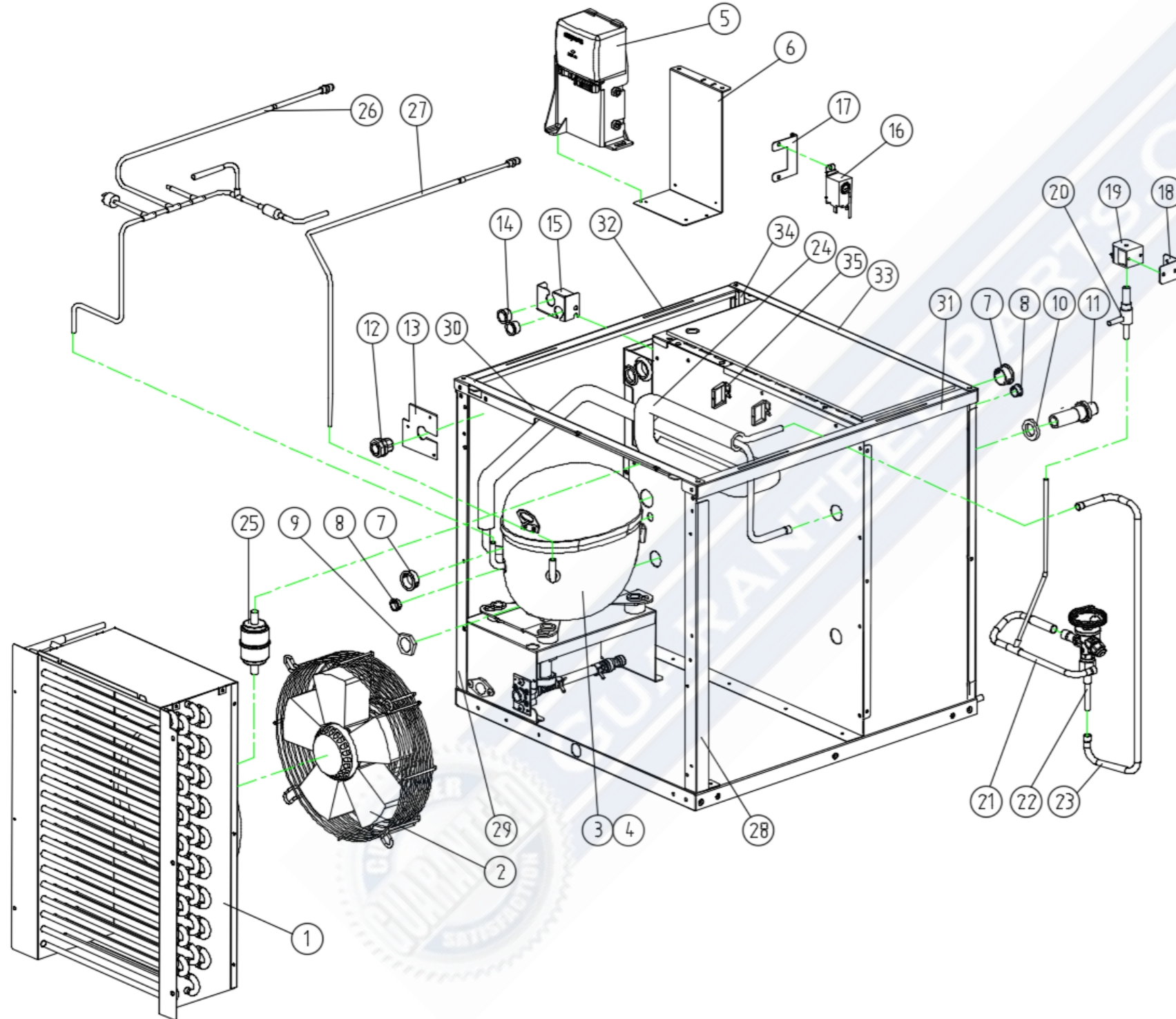
13	1410390	SENSOR MAGNET HOUSING	EVAPORATOR PLATING ASSY
14	1410765	ASSY SENSOR MAGNET	EVAPORATOR PLATING ASSY
15-0	1410686	WATER CURTAIN ASSY	EVAPORATOR PLATING ASSY
15	1410727	WATER CURTAIN	EVAPORATOR PLATING ASSY
16	1410293	MOLDING MAGNET	EVAPORATOR PLATING ASSY
17	1410193	SUPPORT PCB	EVAPORATOR PLATING ASSY
18	1410009	HAND SCREW	EVAPORATOR PLATING ASSY
19	1410391	HANGER	EVAPORATOR PLATING ASSY
20	1410612	ASSY BUDER	EVAPORATOR PLATING ASSY
1	1410696	FLOAT ASSY	WATER-THROUGH ASSY
2	1410400	BRACKET FLOAT	WATER-THROUGH ASSY
3	1410519	EQUAL STRAIGHT(1/4", PI0408S)	WATER-THROUGH ASSY
4	1410531	WATER PUMP	WATER-THROUGH ASSY
5	1410278	RIGHT PIPE CAP	WATER-THROUGH ASSY
6	1410054	WATER PUMP OUT HOSE	WATER-THROUGH ASSY
7	1410051	CLAMP HOSE ϕ 28~33	WATER-THROUGH ASSY
8	1410032	CLAMP HOSE ϕ 22	WATER-THROUGH ASSY
9	1410710	WATER-THROUGH	WATER-THROUGH ASSY
10	1410146	PLUG	WATER-THROUGH ASSY
11	1410217	WATER-THOUGH GUIDE	WATER-THROUGH ASSY
12	1410226	COVER EVAP FRAME TWO	WATER-THROUGH ASSY
13	1410220	WATER BLOCK	WATER-THROUGH ASSY
1	1410382	EXPANSION VALVE	REFRIGERATION PART
2		Integral type	REFRIGERATION PART
3		Integral type	REFRIGERATION PART
4			REFRIGERATION PART
5			REFRIGERATION PART
6			REFRIGERATION PART
7	1410322	DISCHARGE PIPE ASSY	REFRIGERATION PART
1	1410582	CONDENSER ASSY	REFRIGERATION CIRCUIT ASSY
2	1410771	ASSY FAN MOTOR	REFRIGERATION CIRCUIT ASSY
3	1410509	COMP (115V/60HZ)	REFRIGERATION CIRCUIT ASSY
4	1410747	OLP(T0873/C9)	REFRIGERATION CIRCUIT ASSY
5	1410611	ASSY CSR BOX	REFRIGERATION CIRCUIT ASSY
6	1410071	BRACKET CAPACITOR	REFRIGERATION CIRCUIT ASSY
7	1410066	GROMMET BUSHING ϕ 28	REFRIGERATION CIRCUIT ASSY
8	1410068	GROMMET BUSHING ϕ 12.7	REFRIGERATION CIRCUIT ASSY
9	1410019	VESSEL NUT	REFRIGERATION CIRCUIT ASSY
10	1410141	PACKING NIPPLE	REFRIGERATION CIRCUIT ASSY
11	1410015	BOLT VESSEL IN/OUT	REFRIGERATION CIRCUIT ASSY
12	1410028	CABLE GLAND	REFRIGERATION CIRCUIT ASSY
13	1410120	POWER CORD BRACKET	REFRIGERATION CIRCUIT ASSY
14	1410067	GROMMET BUSHING	REFRIGERATION CIRCUIT ASSY
15	1410225	BRACKET CHARGE NIPPLE	REFRIGERATION CIRCUIT ASSY
16	1410464	PRESSURE S/W	REFRIGERATION CIRCUIT ASSY
17	1410104	BRACKET THERMOSTAT	REFRIGERATION CIRCUIT ASSY
18	1410221	SOLENOID VALVE BKT	REFRIGERATION CIRCUIT ASSY
19	1410628	ASSY SOLENOID VALVE COIL	REFRIGERATION CIRCUIT ASSY
20	1410371	SOLENOID VALVE BODY	REFRIGERATION CIRCUIT ASSY
21	1410319	HOT GAS PIPE ASSY	REFRIGERATION CIRCUIT ASSY
22	1415125	SOLDER ADAPTER	REFRIGERATION CIRCUIT ASSY
23	1410336	EXP VALVE IN PIPE	REFRIGERATION CIRCUIT ASSY
24	1410648	HEAT EXCHANGE PIPE ASSY	REFRIGERATION CIRCUIT ASSY
25	1410476	FILTER DRYER	REFRIGERATION CIRCUIT ASSY
26	1410322	DISCHARGE PIPE ASSY	REFRIGERATION CIRCUIT ASSY
27	1410318	PROCESS CHARGE NIPPLE ASSY	REFRIGERATION CIRCUIT ASSY
28	1410793	FRAME BACK LEFT	REFRIGERATION CIRCUIT ASSY
29	1410794	FRAME BACK RIGHT	REFRIGERATION CIRCUIT ASSY
30	1410795	FRAME BACK	REFRIGERATION CIRCUIT ASSY
31	1410796	FRAME TOP LEFT	REFRIGERATION CIRCUIT ASSY
32	1410797	FRAME TOP RIGHT	REFRIGERATION CIRCUIT ASSY
33	1410798	FRAME FRONT TOP ASSY	REFRIGERATION CIRCUIT ASSY
34	1410799	FRAME FRONT RIGHT	REFRIGERATION CIRCUIT ASSY
35	1410006	WIRE SADDLE	REFRIGERATION CIRCUIT ASSY



KCM-450-AH-22

KCM-450-AH-22

[REFRIGERATION CIRCUIT ASSY]



NO	ITEMS	CODE
1	CONDENSER ASSY	411030300
2	ASSY FAN MOTOR	737000700
3	COMP (115V/60HZ)	394018500
4	OLP(T0873/C9)	658007000
5	ASSY CSR BOX	426054300
6	BRACKET CAPACITOR	301030801
7	GROMMET BUSHING $\phi 28$	232003500
8	GROMMET BUSHING $\phi 12.7$	232003800
9	VESSEL NUT	215007500
10	PACKING NIPPLE	303005501
11	BOLT VESSEL IN/OUT	214015500
12	CABLE GLAND	227001100
13	POWER CORD BRACKET	301131400
14	GROMMET BUSHING	232003600
15	BRACKET CHARGE NIPPLE	317157100
16	PRESSURE S/W	355018500
17	BRACKET THERMOSTAT	301102200
18	SOLENOID VALVE BKT	317155200
19	ASSY SOLENOID VALVE COIL	429005900
20	SOLENOID VALVE BODY	340026800
21	HOT GAS PIPE ASSY	325109900
22	SOLDER ADAPTER	215017800
23	EXP VALVE IN PIPE	325142100
24	HEAT EXCHANGE PIPE ASSY	433028500
25	FILTER DRYER	372001300
26	DISCHARGE PIPE ASSY	325110900
27	PROCESS CHARGE NIPPLE ASSY	325108900
28	FRAME BACK LEFT	350008500
29	FRAME BACK RIGHT	350009600
30	FRAME BACK	350009100
31	FRAME TOP LEFT	350008400
32	FRAME TOP RIGHT	350008300
33	FRAME FRONT TOP ASSY	350009500
34	FRAME FRONT RIGHT	350008900
35	WIRE SADDLE	209000700