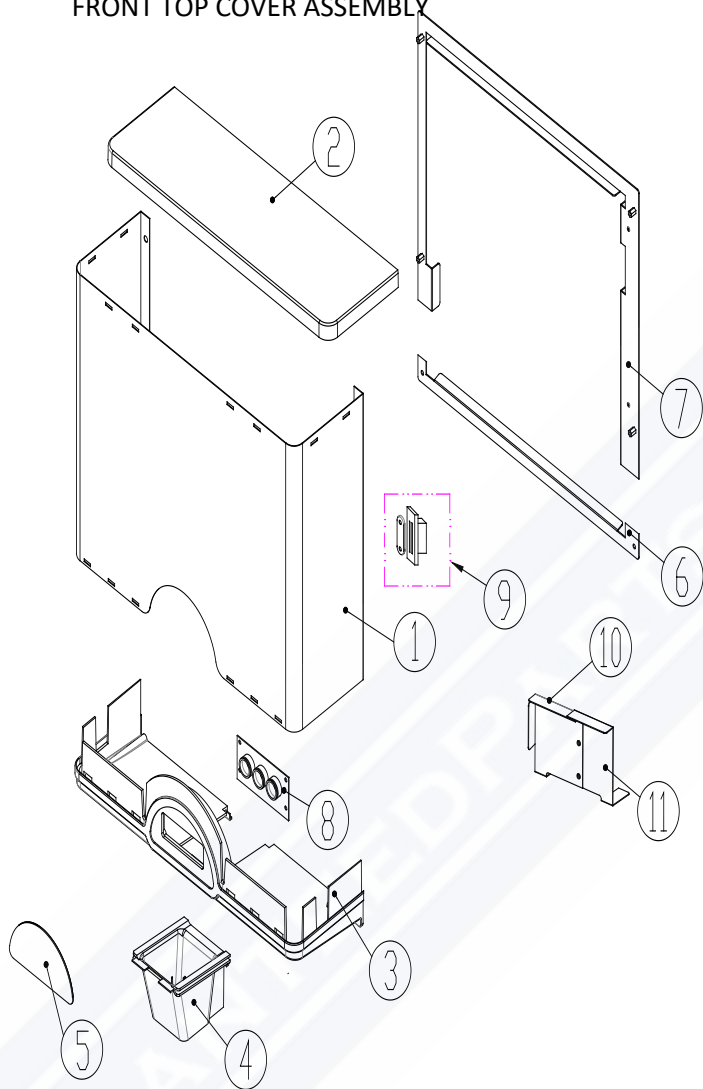


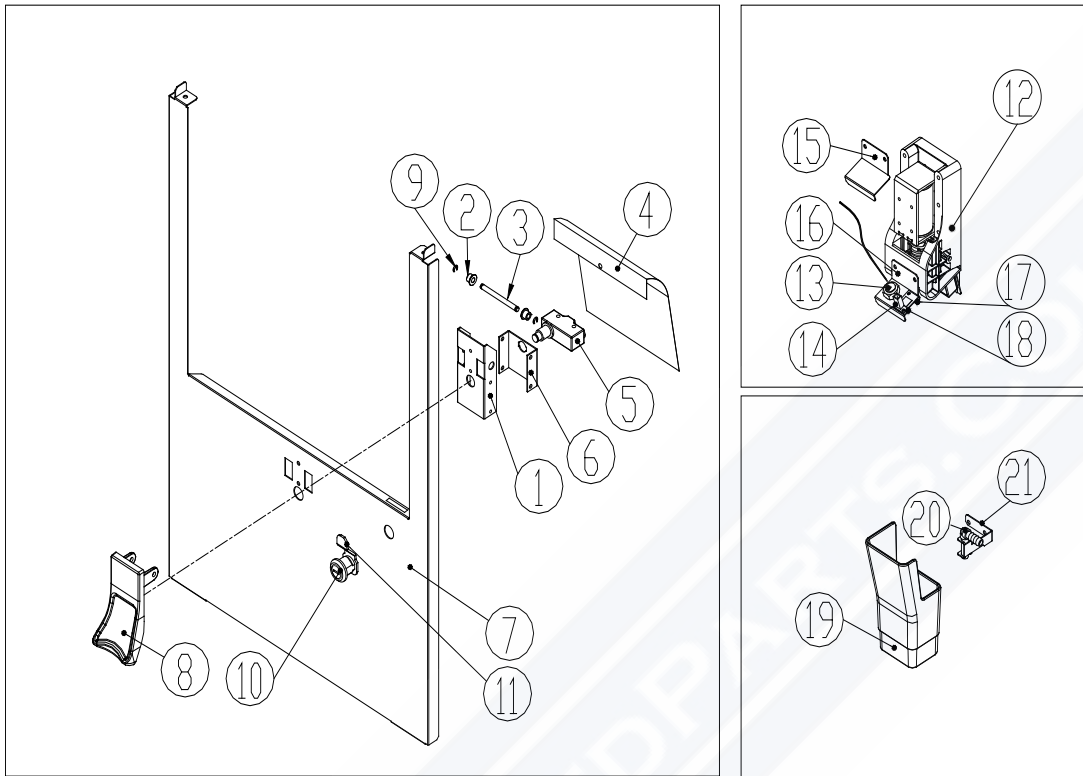
KND-300A (115V 60 Hz)

FRONT TOP COVER ASSEMBLY



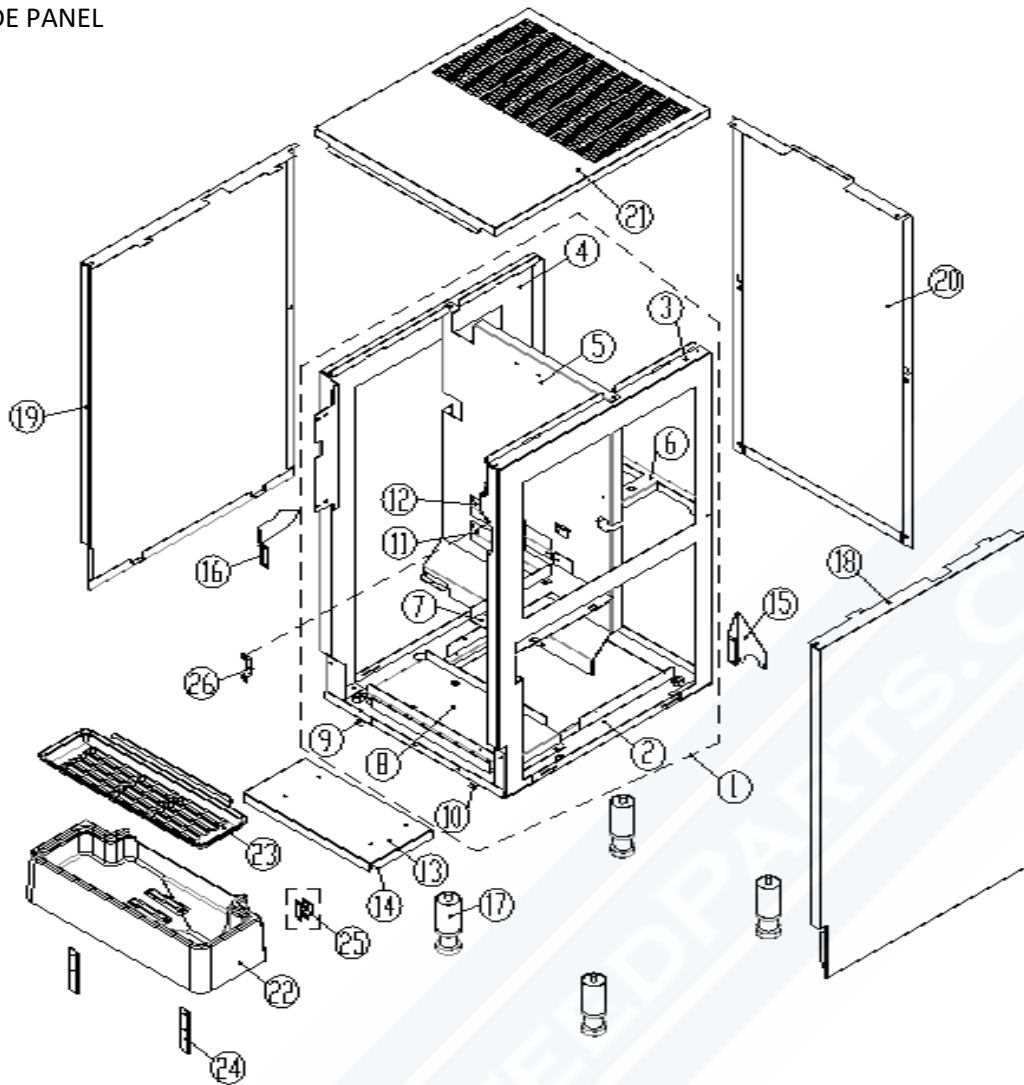
NO	DESCRIPTION	PART CODE #	
1	FRONT HINGE PANEL ASSY	432049600	
2	FRONT PANEL TOP	318038400	
3	COVER FRONT DOWN	318038500	
4	COVER SPOUT	318038600	
5	BUTTON DISPLAY	440034000	
6	FRONT PANEL BASE D	301183400	
7	FRONT PANEL BASE	301178000	
8	BUTTON PCB	367013800	
9	LOCKING MAGNET	322006000	
10	COVER BUTTON DISPLAY L	301183200	
11	COVER BUTTON DISPLAY R	301183300	

FRONT BOTTOM COVER ASSEMBLY



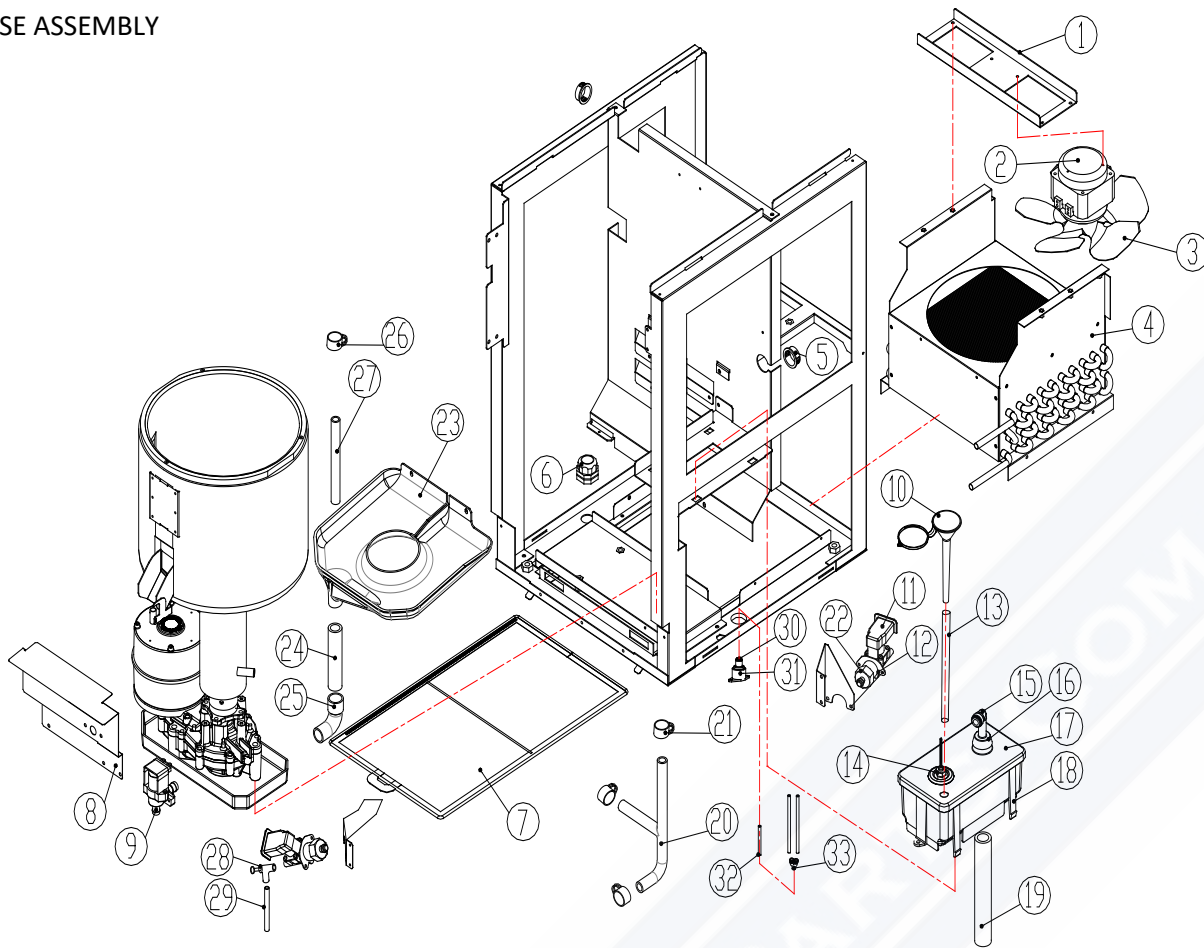
NO	DESCRIPTION	PART CODE #	
1	BRACKET BASE SHUTTER LEVER	301178400	
2	POM BEARING	310006400	
3	SHAFT SHUTTER LEVER	314043500	
4	FILM MICRO SWITCH	120001500	
5	MICRO SWITCH	355024200	
6	BRACKET MICRO SWITCH	301178500	
7	FRONT PANEL DOWN	317206800	
8	SHUTTER LEVER	309005801	
9	E-RING 4	213001300	
10	LOCKER	219003800	
11	LOCKING PLATE	301178200	
12	ASSY SHUTTER	427059301	
13	UVC WATER PROOF MODULE	500001500	
14	LED PCB	367013900	
15	COVER BRACKET UV LED	301185900	
16	BRACKET UV LED	301180600	
17	COVER IN LED PCB	620001100	
18	COVER LED PCB	620001200	
19	SPOUT	318038700	
20	STEM ELBOW	398013800	
21	WATER SPOUT	301180500	

OUTSIDE PANEL



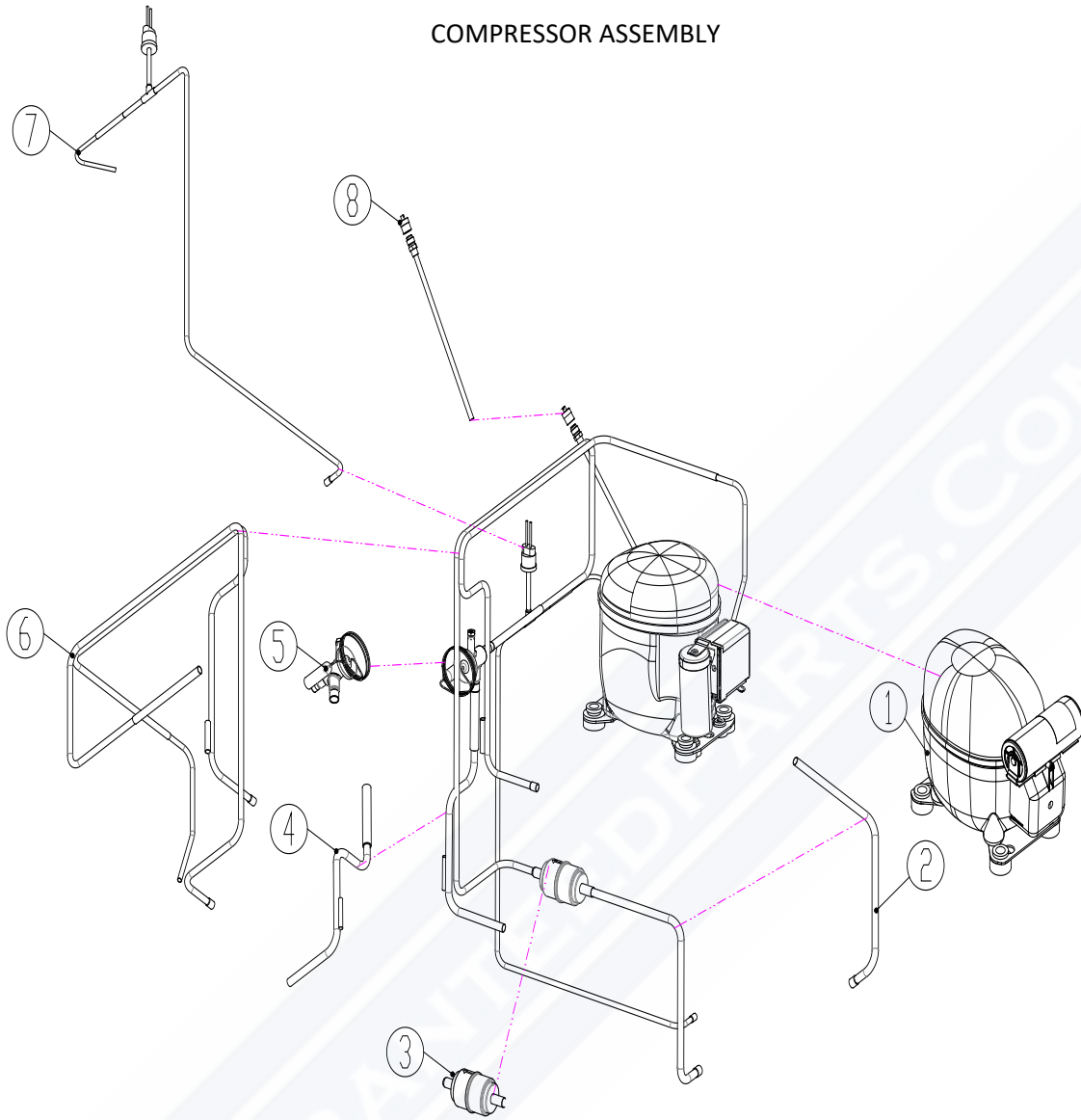
NO	DESCRIPTION	PART CODE #	
2	BASE PLATE	332046000	
3	RIGHT SIDE ANGLE	332043601	
4	LEFT SIDE ANGLE	332043500	
5	MIDDLE SIDE ANGLE	332043701	
6	BRACKET COMP	332043800	
7	BRACKET WATER TANK	332044001	
8	BRACKET AUGER MOTOR	332043300	
9	GUIDE AIR FILTER L	332044100	
10	GUIDE AIR FILTER R	332044200	
11	GUIDE PLATE	301180000	
12	GUIDE PLATE S	301180100	
13	BRACKET DRAIN BOX	301178600	
14	BRACKET DRAIN FORM	306043100	
15	BRACKET WATER SOL VALVE	301179800	
16	BRACKET OUT WATER SOL VALVE	301180301	
17	LEVELLING FOOT	302002500	
18	PANEL SIDE R	317206300	
19	PANEL SIDE L	317206400	
20	PANEL BACK	317206500	
21	TOP COVER	317206200	
22	DRAIN BOX	336029650	
23	SPLASH GUARD	336029700	

BASE ASSEMBLY



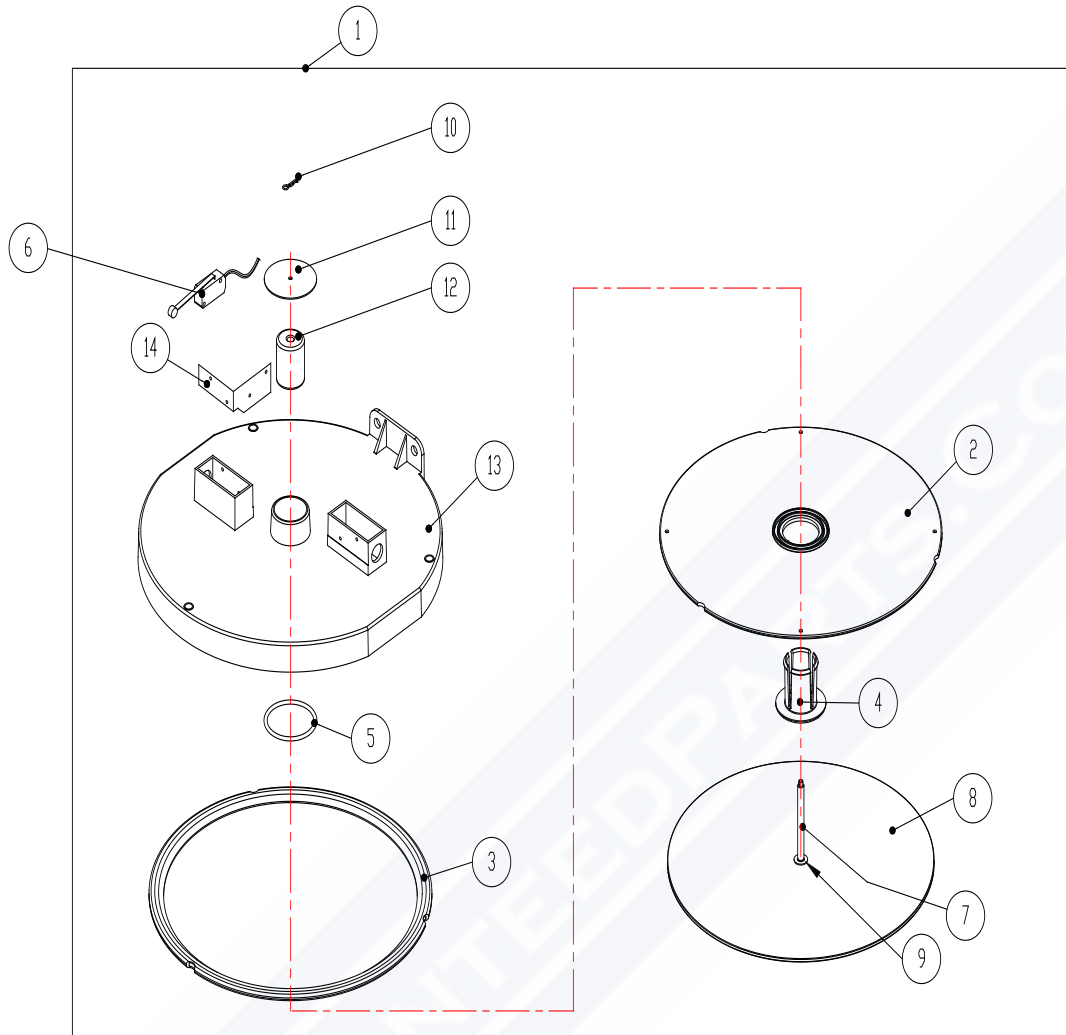
NO	DESCRIPTION	PART CODE #	
1	BRACKET FAN MOTOR	332044300	
2	FAN MOTOR	353021600	
3	FAN	308004700	
4	ASSY CONDENSER	411033300	
5	GROMMET BUSHING	232003500	
6	CABLE GLAND	227001200	
7	AIR FILTER	640009000	
8	BRACKET DRAIN WATER SOL VALVE	301179900	
9	DUMP VALVE	340029500	
10	FUNNEL	318039300	
11	WATER VALVE PLUG	319007900	
12	WATER INLET VALVE	340029400	
13	SILICON HOSE	229033800	
14	ASSY WATER LEVEL SENSOR	722014500	
15	STEM ELBOW	398013800	
16	RESERVOIR INLET	319007800	
17	WATER RESERVOIR COVER	654000400	
18	WATER RESERVOIR	654000200	
19	SILICON HOSE	229029500	
20	MULTIPLE WATER HOSE	229033600	
21	BAND SPRING 17	203003200	
22	TAP ADAPTOR	398011600	
23	DRAIN GUIDE	604002900	
24	DRAIN PIPE	229033400	
25	HOSE PUMP OUT	229033200	
26	BAND SPRING 18	203003900	
27	SILICON HOSE (EVAP INLET)	229029400	
28	CONTROL VALVE	395005700	
29	PE TUBE (O.D 3/8")	229013500	
30	STRAIGHT ADAPTOR	398013400	
31	SOCKET	215013500	
32	PE TUBE (O.D 1/4")	229013600	
33	TWO WAY DIVIDER (1/4")	398017000	

COMPRESSOR ASSEMBLY



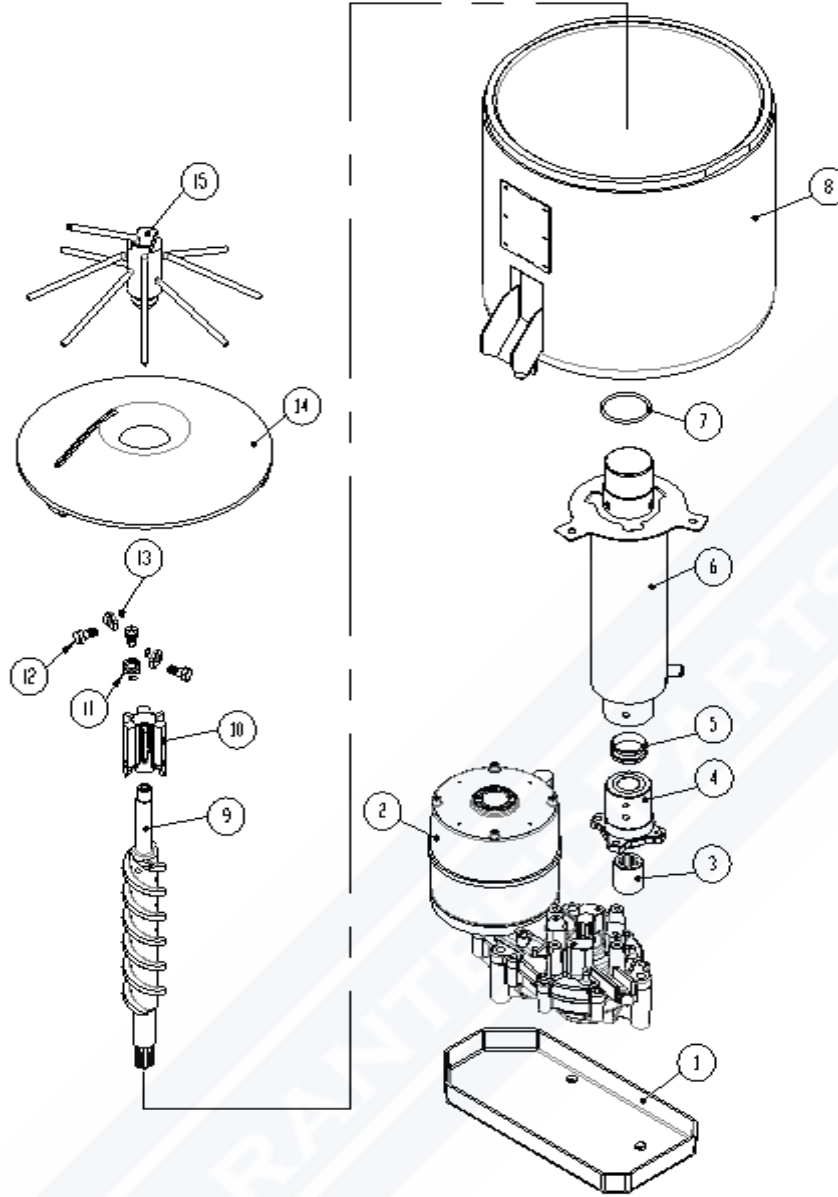
NO	DESCRIPTION	PART CODE #	
1	COMPRESSOR	394023100	
2	CONDENSER OUT PIPE	325148700	
3	FILTER DRYER	372001300	
4	EXPENSION PIPE IN NET ASSY	325148500	
5	EXPANSION VALVE	340029000	
6	SUCTION PIPE ASSY	325152000	
7	DISCHARGE PIPE ASSY	325148600	
8	CHARGE ASSY	459003000	

BIN ASSEMBLY



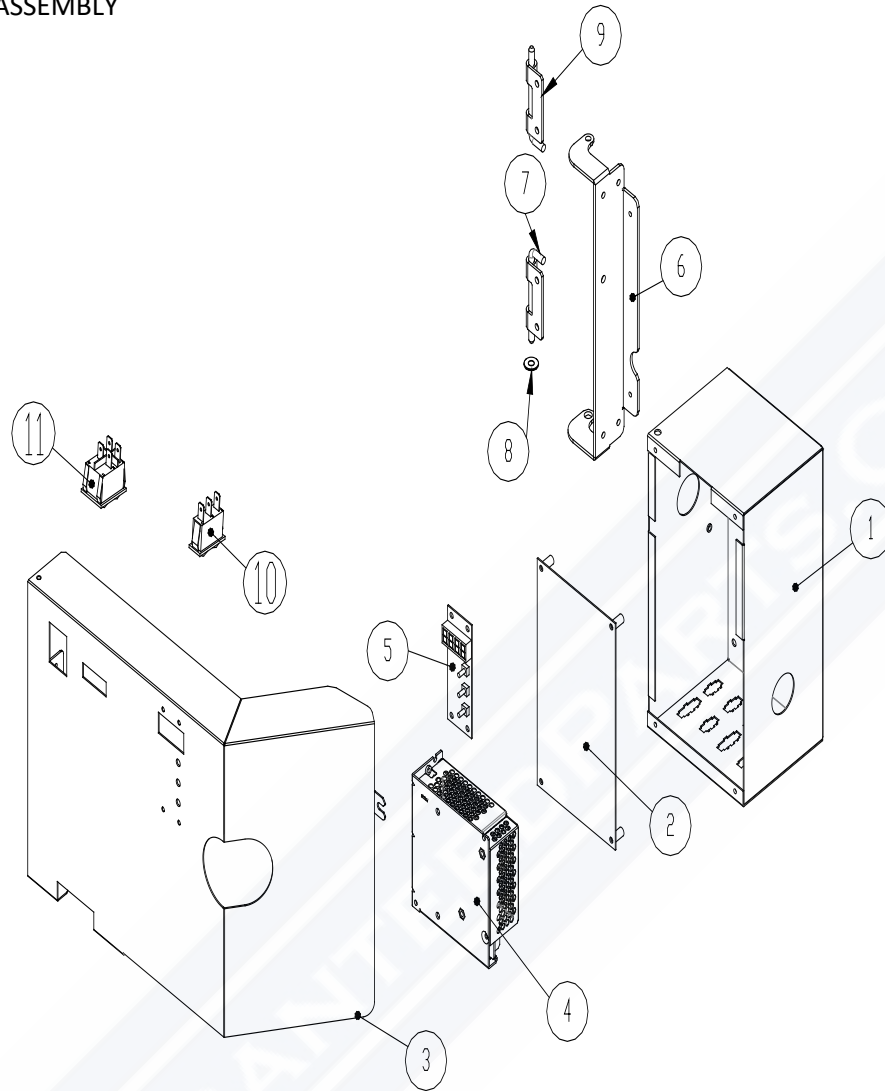
NO	DESCRIPTION	PART CODE #	
1	ASSY COVER STORAGE BIN	427059200	
2	COVER IN STORAGE BIN	318038900	
3	PACKING COVER STORAGE BIN	303037000	
4	BUSHING COVER STORAGE BIN	318039200	
5	O-RING	303037500	
6	ASSY MICRO SWITCH	460004201	
7	SHAFT PLATE SENSOR	314043600	
8	PLATE SENSOR	318039000	
9	E-RING	303025200	
10	R-PIN 4	315007500	
11	PLATE SENSOR S	301177100	
12	BEARING COVER STORAGE BIN	310006700	
13	COVER STORAGE BIN	318038800	
14	BRACKET BIN MICRO SWITCH	301189800	

MOTOR ASSEMBLY



NO	DESCRIPTION	PART CODE #	
1	GEAR MOTOR DRAIN PAN	318039100	
2	AUGER MOTOR ASSY	406026400	
3	SPLINE COUPLING	612000800	
4	HOUSING ASSY	491000900	
5	MECHANICAL SEAL	303036901	
6	EVAPORATOR FORM ASSY	409043801	
7	O-RING	303037500	
8	HOPPER FORM ASSY	442008500	
9	AUGER	430005000	
10	EXTRUDING HEAD ASSY	491000801	
11	HEAD LOCKING WASHER	211008000	
12	HEX WRENCH BOLT	210814400	
13	O-RING NBR	303032000	
14	ICE BASE PLATE	301186000	
15	AGITATOR ASSY	436003400	

CONTROL BOX ASSEMBLY



NO	DESCRIPTION	PART CODE #	
1	CONTROL BOX	374147301	
	BRACKET COVER CONTROL BOX	301188700	
2	MAIN PCB	367013600	
3	ASSY COVER CONTROL BOX	374148000	
4	SMPS	629001200	
5	FND PCB	367013700	
6	HINGE BASE	301178100	
7	STS	321006700	
8	HINGE BEARING	310006500	
9	STS	321006800	
10	SWITCH 3L	355009800	

XV NO.	ITEM NO.	ITEM NO. DESC.	SECTION
1	1415234	FRONT HINGE PANEL ASSY	FRONT TOP COVER ASSEMBLY
2	1415176	FRONT PANEL TOP	FRONT TOP COVER ASSEMBLY
3	1415177	COVER FRONT DOWN	FRONT TOP COVER ASSEMBLY
4	1415178	COVER SPOUT	FRONT TOP COVER ASSEMBLY
5	1415236	BUTTON DISPLAY	FRONT TOP COVER ASSEMBLY
6	1415152	FRONT PANEL BASE D	FRONT TOP COVER ASSEMBLY
7	1415135	FRONT PANEL BASE	FRONT TOP COVER ASSEMBLY
8	1415215	BUTTON PCB	FRONT TOP COVER ASSEMBLY
9	1415191	LOCKING MAGNET	FRONT TOP COVER ASSEMBLY
10	1415150	COVER BUTTON DISPLAY L	FRONT TOP COVER ASSEMBLY
11	1415151	COVER BUTTON DISPLAY R	FRONT TOP COVER ASSEMBLY
1	1415138	BRACKET BASE SHUTTER LEVER	FRONT BOTTOM COVER ASSEMBLY
2	1415165	POM BEARING	FRONT BOTTOM COVER ASSEMBLY
3	1415168	SHAFT SHUTTER LEVER	FRONT BOTTOM COVER ASSEMBLY
4	1415120	FILM MICRO SWITCH	FRONT BOTTOM COVER ASSEMBLY
5	1415212	MICRO SWITCH	FRONT BOTTOM COVER ASSEMBLY
6	1415139	BRACKET MICRO SWITCH	FRONT BOTTOM COVER ASSEMBLY
7	1415175	FRONT PANEL DOWN	FRONT BOTTOM COVER ASSEMBLY
8	1415164	SHUTTER LEVER	FRONT BOTTOM COVER ASSEMBLY
9	1415124	E-RING 4	FRONT BOTTOM COVER ASSEMBLY
10	1415126	LOCKER	FRONT BOTTOM COVER ASSEMBLY
11	1415137	LOCKING PLATE	FRONT BOTTOM COVER ASSEMBLY
12	1415230	ASSY SHUTTER	FRONT BOTTOM COVER ASSEMBLY
13	1415243	UVC WATER PROOF MODULE	FRONT BOTTOM COVER ASSEMBLY
14	1415216	LED PCB	FRONT BOTTOM COVER ASSEMBLY
15	1415153	COVER BRACKET UV LED	FRONT BOTTOM COVER ASSEMBLY
16	1415147	BRACKET UV LED	FRONT BOTTOM COVER ASSEMBLY
17	1415246	COVER IN LED PCB	FRONT BOTTOM COVER ASSEMBLY
18	1415247	COVER LED PCB	FRONT BOTTOM COVER ASSEMBLY
19	1415179	SPOUT	FRONT BOTTOM COVER ASSEMBLY
20	1415222	STEM ELBOW	FRONT BOTTOM COVER ASSEMBLY
21	1415146	WATER SPOUT	FRONT BOTTOM COVER ASSEMBLY
2	1415205	BASE PLATE	OUTSIDE PANEL
3	1415198	RIGHT SIDE ANGLE	OUTSIDE PANEL
4	1415197	LEFT SIDE ANGLE	OUTSIDE PANEL
5	1415199	MIDDLE SIDE ANGLE	OUTSIDE PANEL
6	1415200	BRACKET COMP	OUTSIDE PANEL
7	1415201	BRACKET WATER TANK	OUTSIDE PANEL
8	1415196	BRACKET AUGER MOTOR	OUTSIDE PANEL
9	1415202	GUIDE AIR FILTER L	OUTSIDE PANEL
10	1415203	GUIDE AIR FILTER R	OUTSIDE PANEL
11	1415143	GUIDE PLATE	OUTSIDE PANEL
12	1415144	GUIDE PLATE S	OUTSIDE PANEL
13	1415140	BRACKET DRAIN BOX	OUTSIDE PANEL
14	1415162	BRACKET DRAIN FORM	OUTSIDE PANEL
15	1415141	BRACKET WATER SOL VALVE	OUTSIDE PANEL
16	1415145	BRACKET OUT WATER SOL VALVE	OUTSIDE PANEL
17	1415012	LEVELLING FOOT	OUTSIDE PANEL
18	1415172	PANEL SIDE R	OUTSIDE PANEL
19	1415173	PANEL SIDE L	OUTSIDE PANEL
20	1415174	PANEL BACK	OUTSIDE PANEL
21	1415171	TOP COVER	OUTSIDE PANEL
22	1415206	DRAIN BOX	OUTSIDE PANEL
23	1415207	SPLASH GUARD	OUTSIDE PANEL
1	1415204	BRACKET FAN MOTOR	BASE ASSEMBLY
2	1410451	FAN MOTOR	BASE ASSEMBLY
3	1415163	FAN	BASE ASSEMBLY
4	1415227	ASSY CONDENSER	BASE ASSEMBLY
5	1410066	GROMMET BUSHING	BASE ASSEMBLY
6	1410029	CABLE GLAND	BASE ASSEMBLY
7	1415250	AIR FILTER	BASE ASSEMBLY
8	1415142	BRACKET DRAIN WATER SOL VALVE	BASE ASSEMBLY
9	1415209	DUMP VALVE	BASE ASSEMBLY
10	1415185	FUNNEL	BASE ASSEMBLY
11	1410279	WATER VALVE PLUG	BASE ASSEMBLY
12	1415208	WATER INLET VALVE	BASE ASSEMBLY
13	1415132	SILICON HOSE	BASE ASSEMBLY

14	1415257	ASSY WATER LEVEL SENSOR	BASE ASSEMBLY
15	1415222	STEM ELBOW	BASE ASSEMBLY
16	1415186	RESERVOIR INLET	BASE ASSEMBLY
17	1415255	WATER RESERVOIR COVER	BASE ASSEMBLY
18	1415254	WATER RESERVOIR	BASE ASSEMBLY
19	1415128	SILICON HOSE	BASE ASSEMBLY
20	1415131	MULTIPLE WATER HOSE	BASE ASSEMBLY
21	1415121	BAND SPRING 17	BASE ASSEMBLY
22	1415221	TAP ADAPTOR	BASE ASSEMBLY
23	1415244	DRAIN GUIDE	BASE ASSEMBLY
24	1415130	DRAIN PIPE	BASE ASSEMBLY
25	1415129	HOSE PUMP OUT	BASE ASSEMBLY
26	1410005	BAND SPRING 18	BASE ASSEMBLY
27	1415127	SILICON HOSE (EVAP INLET)	BASE ASSEMBLY
28	1415220	CONTROL VALVE	BASE ASSEMBLY
29	1410047	PE TUBE (O.D 3/8")	BASE ASSEMBLY
30	1410520	STRAIGHT ADAPTOR	BASE ASSEMBLY
31	1410022	SOCKET	BASE ASSEMBLY
32	1410048	PE TUBE (O.D 1/4")	BASE ASSEMBLY
33	1415223	TWO WAY DIVIDER (1/4")	BASE ASSEMBLY
1	1415219	COMPRESSOR	COMPRESSOR ASSEMBLY
2	1415194	CONDENSER OUT PIPE	COMPRESSOR ASSEMBLY
3	1410476	FILTER DRYER	COMPRESSOR ASSEMBLY
4	1415192	EXPANSION PIPE IN NET ASSY	COMPRESSOR ASSEMBLY
5	1410382	EXPANSION VALVE	COMPRESSOR ASSEMBLY
6	1415195	SUCTION PIPE ASSY	COMPRESSOR ASSEMBLY
7	1415193	DISCHARGE PIPE ASSY	COMPRESSOR ASSEMBLY
8	1415239	CHARGE ASSY	COMPRESSOR ASSEMBLY
1	1415229	ASSY COVER STORAGE BIN	BIN ASSEMBLY
2	1415181	COVER IN STORAGE BIN	BIN ASSEMBLY
3	1415160	PACKING COVER STORAGE BIN	BIN ASSEMBLY
4	1415184	BUSHING COVER STORAGE BIN	BIN ASSEMBLY
5	1415161	O-RING	BIN ASSEMBLY
6	1415240	ASSY MICRO SWITCH	BIN ASSEMBLY
7	1415169	SHAFT PLATE SENSOR	BIN ASSEMBLY
8	1415182	PLATE SENSOR	BIN ASSEMBLY
9	1415157	E-RING	BIN ASSEMBLY
10	1415170	R-PIN 4	BIN ASSEMBLY
11	1415134	PLATE SENSOR S	BIN ASSEMBLY
12	1415167	BEARING COVER STORAGE BIN	BIN ASSEMBLY
13	1415180	COVER STORAGE BIN	BIN ASSEMBLY
14	1415156	BRACKET BIN MICRO SWITCH	BIN ASSEMBLY
1	1415183	GEAR MOTOR DRAIN PAN	MOTOR ASSEMBLY
2	1415224	AUGER MOTOR ASSY	MOTOR ASSEMBLY
3	1415245	SPLINE COUPLING	MOTOR ASSEMBLY
4	1415242	HOUSING ASSY	MOTOR ASSEMBLY
5	1415159	MECHANICAL SEAL	MOTOR ASSEMBLY
6	1415226	EVAPORATOR FORM ASSY	MOTOR ASSEMBLY
7	1415161	O-RING	MOTOR ASSEMBLY
8	1415237	HOPPER FORM ASSY	MOTOR ASSEMBLY
9	1415231	AUGER	MOTOR ASSEMBLY
10	1415241	EXTRUDING HEAD ASSY	MOTOR ASSEMBLY
11	1415123	HEAD LOCKING WASHER	MOTOR ASSEMBLY
12	1415122	HEX WRENCH BOLT	MOTOR ASSEMBLY
13	1415158	O-RING NBR	MOTOR ASSEMBLY
14	1415154	ICE BASE PLATE	MOTOR ASSEMBLY
15	1415235	AGITATOR ASSY	MOTOR ASSEMBLY
1	1415217	CONTROL BOX	CONTROL BOX ASSEMBLY
	1415155	BRACKET COVER CONTROL BOX	CONTROL BOX ASSEMBLY
2	1415213	MAIN PCB	CONTROL BOX ASSEMBLY
3	1415218	ASSY COVER CONTROL BOX	CONTROL BOX ASSEMBLY
4	1415248	SMPs	CONTROL BOX ASSEMBLY
5	1415214	FND PCB	CONTROL BOX ASSEMBLY
6	1415136	HINGE BASE	CONTROL BOX ASSEMBLY
7	1415187	STS	CONTROL BOX ASSEMBLY
8	1415166	HINGE BEARING	CONTROL BOX ASSEMBLY
9	1415188	STS	CONTROL BOX ASSEMBLY
10	1410460	SWITCH 3L	CONTROL BOX ASSEMBLY



KND-300-A