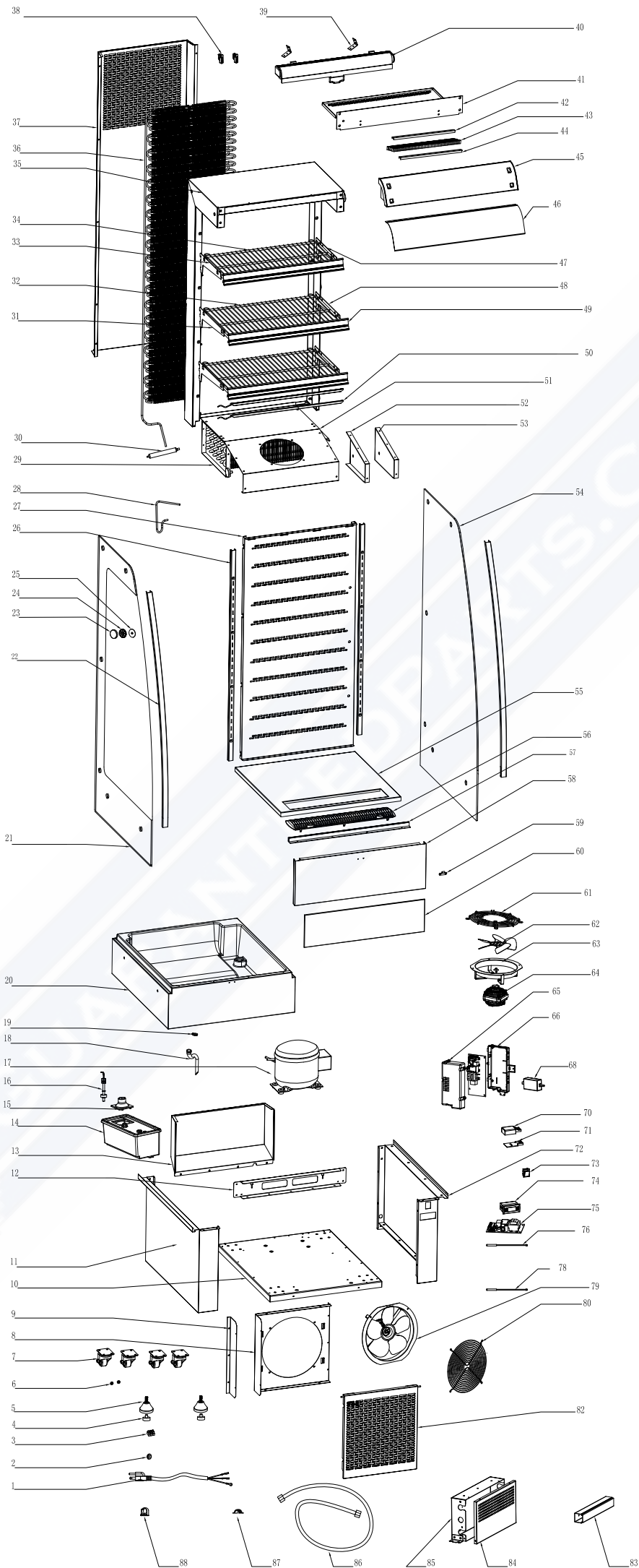




KOM-24SS



XV NO.	MVP ITEM NO.	MVP ITEM NO. DESC.			
1	1310086	POWER CORD	45	1310306	TOP FRONT COVER
2	1310273	LINE BUSHING	46	1310307	DECORATIVE BOARD
3	1310274	TERMINAL	47	1310308	RIGHT SHELF BRACKE
4	1310275	FEET PAD	48	1310309	RIGHT SHELF BRACKE
5	1310276	FEET	49	1310310	PRICE TAG HOLDER
6	1310277	MAGNET	50	1310311	SHELF LED LIGHT
7	1310002	CASTOR	51	1310312	EVAPORATOR COVER
8	1310278	HOLDER FOR CONDENSER MOTO	52	1310313	LEFT BOARD OF EVAPORATOR COVER
9	1310279	CONDENSER MOTOR BRACKET GUARD	53	1310314	RIGHT BOARD OF EVAPORATOR COVER
10	1310280	BASE BOARD	54	1310315	RIGHT GLASS
11	1310281	LEFT PANEL OF BASE	55	1310316	BOTTOM FRAME OF CABINET
12	1310282	CROSSBAR OF BASE	56	1310317	AIR INTAKE GRILL
13	1310283	BACK COVER OF BASE	57	1310318	WIND SCREEN STRIP
14	1310010	WATER RECEIVER	58	1310319	FRONT DECORATIVE BOARD
15	1310011	PIPE FOR EVAPORATED WATER	59	1310084	CURTAIN HOOK
16	1310012	WATER LEVEL DETECTOR	60	1310320	GLASS DEFLECTO
17	1310267	COMPRESSOR	61	1310321	FLAT NET COVER
18	1310022	DRAIN PIPE	62	1310322	FAN BLADE
19	1310023	PIPE CLIP	63	1310323	FAN GUARD
20	1310284	BASE FOAM OF EVAPORATOR	64	1310324	EVPORATOR FAN MOTOR
21	1310285	LEFT GLASS	65	1310014	COVER OF CIRCUIT BOARD BOX
22	1310286	FRONT DECORATIVE STRIP	66	1310015	CIRCUIT BOARD BOX
23	1310287	NUT DECORATION	67	1310325	LED TRANSFORMER HOLDER
24	1310288	NUT GASKET	68	1310121	LED TRANSFORMER
25	1310289	DECORATION NUT GASKET	69	1310326	BRACKET OF CIRCUIT BOARD BOX
26	1310290	POLE FOR SHELF	70	1310009	COVER OF JUNCTION BOX
27	1310291	VENTILATED BOARD	71	1310008	JUNCTION BOX
28	1310075	CONNECTION PIPE	72	1310327	RIGHT PANEL OF BASE
29	1310292	EVAPORATOR	73	1310078	SWITCH
30	1310171	DRY FILTE	74	1310328	TEMPERATURE DISPLAY
31	1310293	LEFT SHELF BRACKET	75	1310155	MAIN CIRCUIT BOARD
32	1310294	BOTTOM SHELF	76	1310097	TEMPERATURE PROBE
33	1310295	LEFT SHELF BRACKET	78	1310329	PROTECTING PROBE
34	1310296	TOP SHELF	79	1310330	CONDENSER FAN MOTOR
35	1310297	FOAM OF BACK COVER	80	1310331	FLAT NET COVER
36	1310298	CONDENSER	81	1310332	AIR FILTER
37	1310299	CONDENSOR COVER	82	1310333	VENTILATED BOARD OF BASE
38	1310044	STANDS FOR CONDENSOR	83	1310087	PVC TRUCKING
39	1310300	NIGHT CURTAIN BRACKET	84	1310161	COVER OF TERMINAL BOX
40	1310301	NIGHT CURTAIN	85	1310162	TERMINAL BOX
41	1310302	AIR-OUT BOARD	86	1310090	DRAIN PIPE
42	1310303	BACK CLAM	87	1310091	PIPE CLAMP
43	1310304	HONEYCOMB PANEL	88	1310092	PPR PIPE CLAMP
44	1310305	FROM CLAMP			