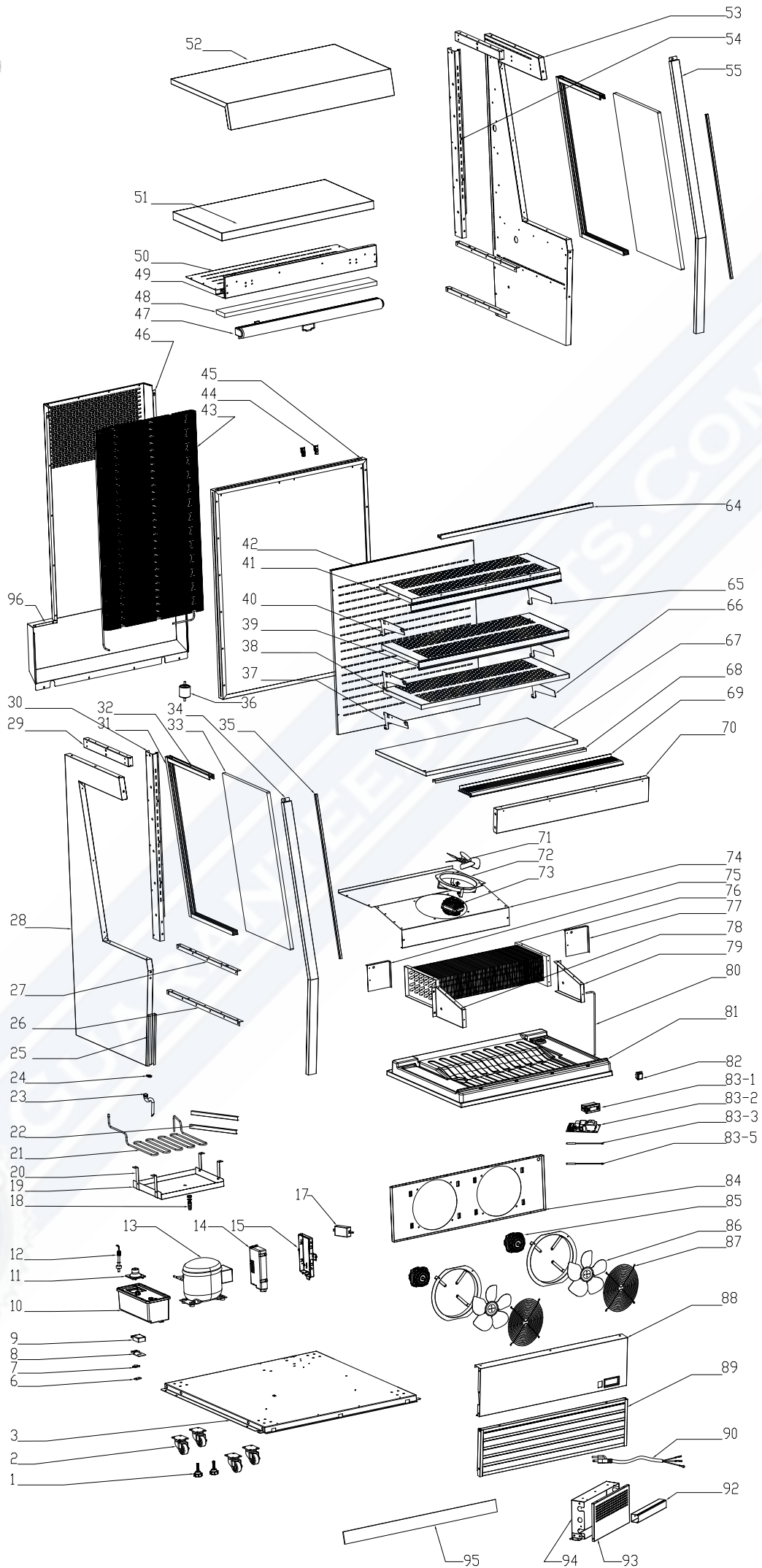




KOM-36SS



XV NO.	MVP ITEM NO.	SUPPLIER PART NAME
1	1310001	FEET
2	1310002	CASTOR
3	1310192	BOARD OF BASE
6	1310006	WIRE CLIP HOLDER
7	1310114	WIRE CLIP COVER
8	1310008	JUNCTION BOX
9	1310009	COVER OF JUNCTION BOX
10	1310010	WATER RECEIVER
11	1310011	PIPE FOR EVAPORATED WATER
12	1310012	WATER LEVEL DETECTOR
13	1310113	COMPRESSOR
14	1310014	COVER OF CIRCUIT BOARD BOX
15	1310015	CIRCUIT BOARD BOX
17	1310165	LED TRANSFORMER
18	1310185	WATER NOZZLE
19	1310187	TRAY OF HEATER
20	1310019	BRACKET OF WATER RECEIVER
21	1310020	HEATER
22	1310021	PLATEN OF HEATER
23	1310022	DRAIN PIPE
24	1310023	PIPE CLIP
25	1310112	FIXING PLATE FOR TRIM STRIP
26	1310024	CONNECTOR OF EVAPORATOR BASE PA
27	1310025	SUPPORT FOR UPPER COVER OF BASE
28	1310111	FOAM OF LEFT SIDE BOARD
29	1310029	SUPPORT FOR CEILING
30	1310030	LEFT SUPPORT PILLAR OF SHELF
31	1310110	BACK STRIP FOR SIDE GLASS
32	1310109	TOP/BOTTOM STRIP FOR SIDE GLASS
33	1310033	SIDE GLASS
34	1310108	OUTER LEFT TRIM STRIP
35	1310166	LED STRIP
36	1310036	DRY FILTER
37	1310037	BOTTOM LEFT SHELF BRACKET
38	1310038	BOTTOM SHELF
39	1310039	PRICE TAG HOLDER
40	1310040	TOP LEFT SHELF BRACKET
41	1310041	UPPER SHELF
42	1310042	VENTILATED BOARD
43	1310174	CONDENSER
44	1310044	STANDS FOR CONDENSOR
45	1310045	FOAM OF BACK COVER
46	1310188	CONDENSOR COVER
47	1310191	NIGHT CURTAIN

48	1310048	HONEYCOMB PANEL
49	1310049	BOARD AHEAD CURTAIN
50	1310050	CEILING BOARD OF CABINET
51	1310106	PE FOR UPPER COVER PLATE
52	1310105	UPPER COVER PLATE
53	1310104	FOAM OF RIGHT BOARD
54	1310056	RIGHT SUPPORT PILLAR OF SHELF
55	1310103	OUTER RIGHT TRIM STRIP
56	1310233	RIGHT F-TYPE SEALING
57	1310260	DOOR GLASS WITH LOCK HOLE
58	1310225	HANDLE
59	1310190	LOCK
60	1310259	DOOR GLASS
61	1310234	LEFT F-TYPE SEALING
62	1310189	PNsertion STRIP FOR PULLEY
63	1310184	PULLEY
64	1310232	WIND SCREEN STRIP
65	1310057	TOP RIGHT SHELF BRACKET
66	1310058	BOTTOM RIGHT SHELF BRACKET
67	1310059	BOTTOM BOARD OF CABINET
68	1310060	AIR INLET STAND
69	1310061	AIR INLET COVER
70	1310101	FRONT BOARD FOR EVAPORATOR
71	1310066	FAN BLADE
72	1310067	FAN GUARD
73	1310157	EVAPORATOR FAN MOTOR
74	1310069	EVAPORATOR COVER
75	1310070	LEFT WIND SCREEN OF EVAPORATOR
76	1310071	EVAPORATOR
77	1310072	RIGHT WIND SCREEN OF EVAPORATOR
78	1310073	LEFT BOARD OF EVAPORATOR COVER
79	1310074	RIGHT BOARD OF EVAPORATOR COVER
80	1310100	CONNECTION PIPE
81	1310076	BASE FOAM OF EVAPORATOR
82	1310078	SWITCH
83--1	1310154	TEMPERATURE DISPLAY
83--2	1310155	MAIN CIRCUIT BOARD
83--3	1310097	TEMPERATURE PROBE
83--5	1310096	COMPRESSOR PROTECT PROBE
84	1310079	HOLDER FOR CONDENSER MOTOR
85	1310146	CONDENSER FAN MOTOR
86	1310081	FAN BLADE
87	1310082	FLAT NET COVER
88	1310099	FRONT BASE PANEL
89	1310098	WINDOW SHADE COMPONENTS
90	1310086	POWER CORD
92	1310087	PVC TRUCKING
93	1310161	COVER OF TERMINAL BOX
94	1310162	TERMINAL BOX
95	1310093	GLASS GUARD
96	1310193	BACK COVER OF BASE