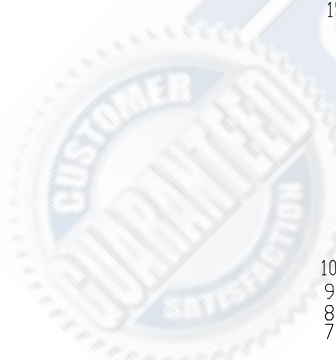
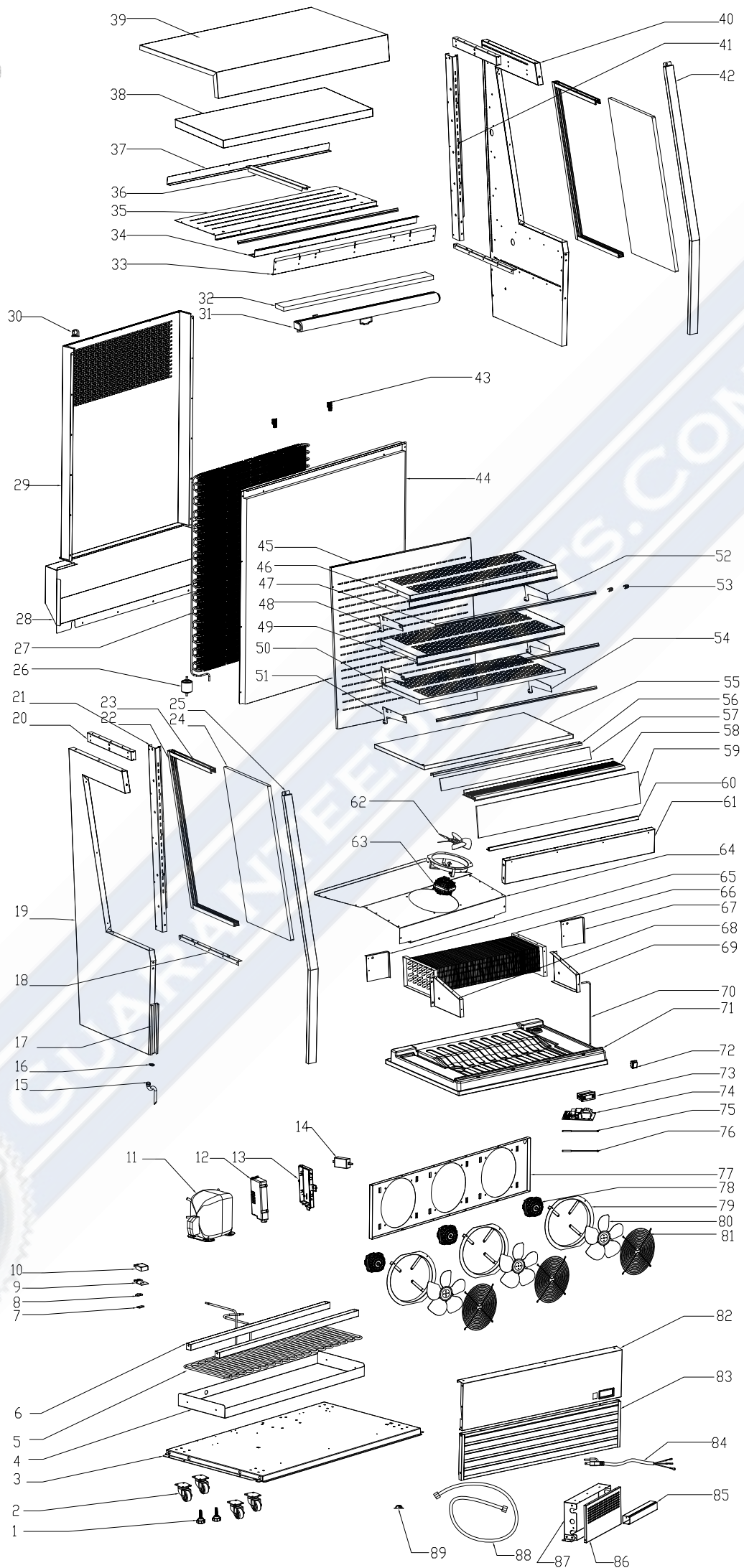




KOM-48SS



XV NO.	MVP ITEM NO.	MVP ITEM NO. DESC.
1	1310001	FEET
2	1310002	CASTOR
3	1310116	FRONT BOARD OF BASE
4	1310117	TRAY OF HEATER
5	1310118	HEATER
6	1310119	PLATEN OF HEATER
7	1310114	CABLE CLAMP COVER
8	1310006	CABLE CLAMP BASE
9	1310008	CIRCUIT BOARD BOX
10	1310009	COVER OF CIRCUIT BOARD BOX
11	1310270	COMPRESSOR
12	1310014	COVER OF MAINBOARD BOX
13	1310015	LOWER COVER OF MAINBOARD BOX
14	1310121	DRIVER
15	1310022	LEAKAAGE
16	1310023	SNAP RING
17	1310112	FIXING PLATE FOR TRIM STRIP
18	1310025	SUPPORT FOR UPPER COVER OF BASE
19	1310111	FOAM OF LEFT SIDE BOARD
20	1310029	SUPPORT FOR CEILING
21	1310030	LEFT SUPPORT FOR SHELF
22	1310110	BACK STRIP FOR SIDE GLASS
23	1310109	TOP/BOTTOM STRIP FOR SIDE GLASS
24	1310033	SIDE GLASS
25	1310108	OUTER LEFT TRIM STRIP
26	1310036	DRY FILTER
27	1310122	CONDENSER
28	1310123	BACK COVER OF BASE
29	1310124	CONDENSER COVER
30	1310092	PPR PIPE CLAMP
31	1310125	NIGHT CURTAIN
32	1310048	HONEYCOMB PANEL
33	1310126	BOARD AHEAD CURTAIN
34	1310127	TOP CROSSBEAM ON FRONT
35	1310128	CEILING BOARD OF CABINET
36	1310129	MIDDLE SUPPORT ON BACK
37	1310130	TOP CROSSBEAM ON BACK
38	1310133	PE FOR UPPER COVER PLATE
39	1310132	UPPER COVER PLATE
40	1310104	FOAM OF RIGHT BOARD
41	1310056	RIGHT SUPPORT PILLAR OF SHELF
42	1310103	OUTER RIGHT TRIM STRIP
43	1310044	STANDS FOR CENDENSOR
44	1310133	FOAM OF BACK COVER

45	1310134	VENTILATED BOARD
46	1310135	UPPER SHELF
47	1310136	LED STRIP
48	1310040	LEFT SUPPORT PILLAR OF SHELF
49	1310137	PRICE TAG HOLDER
50	1310138	BOTTOM SHELF
51	1310037	LEFT SUPPORT PILLAR OF SHELF
52	1310057	RIGHT SUPPORT PILLAR OF SHELF
53	1310023	SNAP RING
54	1310058	RIGHT SUPPORT PILLAR OF SHELF
55	1310139	BOTTOM BOARD OF CABINET
56	1310140	AIR INLET STAND
57	1310271	GLASS STAND
58	1310142	AIR INLET COVER
59	1310143	WIND SCREEN STRIP
60	1310144	WIND SCREEN STRIP
61	1310145	FRONT BOARD OF EVAPORATOR
62	1310066	FAN BLADE
63	1310146	EVAPORATOR FAN MOTOR
64	1310147	EVAPORATOR COVER
65	1310148	LEFT WIND SCREEN OF EVAPORATOR
66	1310149	EVAPORATOR
67	1310150	RIGHT WIND SCREEN OF EVAPORATOR
68	1310151	LEFT BOARD OF EVAPORATOR COVER
69	1310152	RIGHT BOARD OF EVAPORATOR COVER
70	1310100	CONNECTION PIPE
71	1310153	BASE FOAM OF EVAPORATOR
72	1310078	SWITCH
73	1310154	DISPLAY
74	1310155	MAINBOARD
75	1310097	TEMP PROBE
76	1310096	OVERHEATING PROBE
77	1310156	STANDS FOR CONDENSOR
78	1310157	EVAPORATOR FAN MOTOR
79	1310067	FAN GUARD
80	1310081	FAN BALDE
81	1310082	FLAT NET COVER
82	1310158	FRONT BASE PANEL
83	1310159	WINDOW SHADE COMPONENTS
84	1310272	POWER CORD
85	1310087	PVC TRUCKING
86	1310161	COVER OF TERMINALBOX
87	1310162	TERMINALBOX
88	1310090	DRAIN PIPE
89	1310091	PIPE CLAMP