

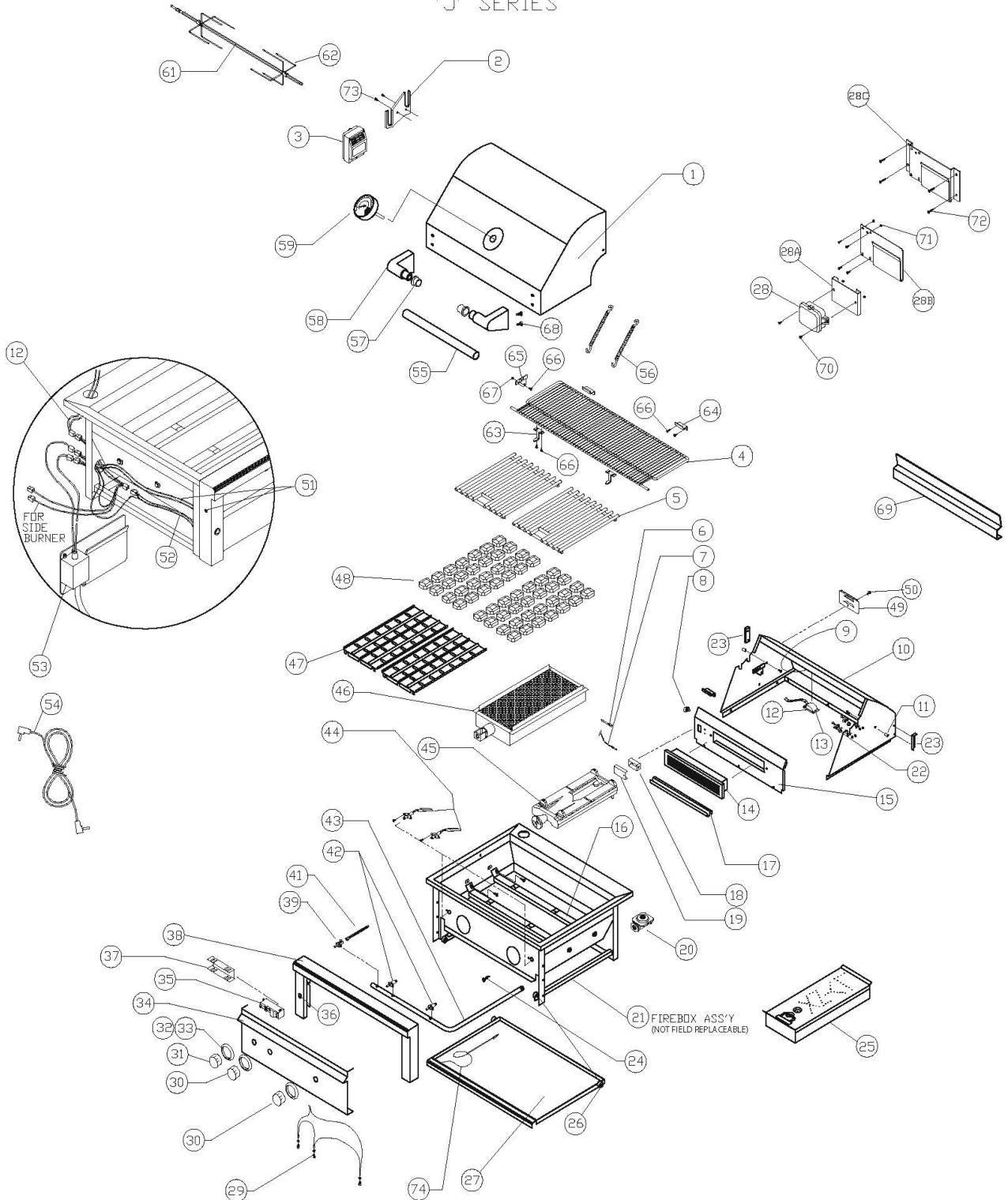
L42PSR-1 PROFESSIONAL J SERIES 2007

L42PSR-1 PROFESSIONAL J SERIES 2007	1
Appendix A:Pages Index	A
Appendix B:Parts Index	B

L42PSR-1 PROFESSIONAL J SERIES 2007



2007 PROFESSIONAL SERIES
'J' SERIES



Item	Part No.	Name	Qty	Uom	NOTES
1	80198	FRONT HOOD ASSY, 42"	1	EA	
2	90132	MOTOR MOUNTING BRACKET, KIT, ALL PRO	1	EA	
3	80277	MOTOR ASSY, HEAVY DUTY 3 SPEED	1	EA	
4	32111	WARMING SHELF, PRO 42"	1	EA	
5	34704	GRATES - 13 1/2" X 21"	2	EA	
	34705	GRATE-12" X 21" (CENTER)	1	EA	
6	32171	IR ELECTRODE, GLOW-COIL	1	EA	NO LONGER AVAILABLE
NI	80487	WIRE ASSEMBLY, ROTIS	1	EA	
7	20018	IR THERMOCOUPLE	1	EA	
NI	33985	CLIP, RETAINING, THERMOCOUPLE	1	EA	
8	13009	Elbow W/Orifice And Hood	1	EA	
9	32158	LIGHT PANEL/REAR HOOD LINER, 42"	1	EA	NO LONGER AVAILABLE
10	81420	REAR HOOD ASSEMBLY 42	1	EACH	
	14012	SCREW, 1/4-20 X 3/8 PH TRUSS HD S/S	2	EA	
	14011	NUT	2	EA	
	10149	SPIT SADDLE	2	EA	
	14014	SCREW #8-32 X 3/8 PH TRUSS HEAD S/S	2	EA	
	14024	LOCK NUT, #8-32, S/S	2	EA	
11	90237	HOOD SPACER KIT	2	EA	
12	80446	HOOD LIGHT ASSY, SINGLE W/10W BULB	1	EA	
13	31979	BULB, REPLACEMENT, 10W HALOGEN	1	EA	
	32322	GLASS REPLACEMENT COVER W/CLIP	1	EA	
	30617	Screw	1	EA	
14	30179	IR BURNER (28") FOR 42"	1	EA	
15	80275	IR PANEL ASSY, 42" (INCLUDES BURNER)	1	EA	
NI	14012	SCREW, 1/4-20 X 3/8 PH TRUSS HD S/S	4	EA	

Item	Part No.	Name	Qty	Uom	NOTES
	NOTE	(TO SECURE IR PANEL ASSY TO UNIT)			
16	31758	BURNER HANGER, 42"	2	EA	
	14012	SCREW, 1/4-20 X 3/8 PH TRUSS HD S/S	2	EA	
NI	31692	STIFFENER, FIREBOX, 30/42	1	EA	
17	10158	WOODCHIP TRAY (36", 42")	1	EA	
NI	32222	SCREW, SHLDR, #10-32 X 1/4, SLTD, SS, 1/4 DIA X 1/8	2	EA	
18	80753	IR IGNITER BRACKET	1	EA	
19	10043	IR IGNITER COVER (27", 36", 42", 54")	1	EA	
20	30781	REGULATOR 4/11 N/G ONLY	1	EA	
	13053	REGULATOR W/30" HOSE DOUBLE STAGE - LP	1	EA	
21	N/A	NOT USED ON THIS MODEL	1		
22	20055	HOOD BEARING	1	EA	
	31804	SPIT BEARING SCREW, #8 32x5/8 PH FLAT	1	EA	
	31805	SPIT BEARING NUT, ACORN, #8 32	1	EA	
23	31801	HOOD STOP, EXTENDED, RIGHT	1	EA	
	31802	HOOD STOP, EXTENDED, LEFT	1	EA	
24	30329	ORIFICE, BURNER, NG (#41 LONG)	2	EA	
	30328	ORIFICE, BURNER, LP (#53 LONG)	2	EA	
	13015	ORIFICE, BURNER, NG (#44 SHORT)	1	EA	
	13020	ORIFICE, BURNER, LP (#54 SHORT)	1	EA	
	30470	ORIFICE, IR ROTIS., NG (#48 SHORT)	1	EA	
	31342	ORIFICE, IR ROTIS., LP (#56 SHORT)	1	EA	
25	90073	SMOKER BOX ASSY 30°, 42°, 54°	1	EA	
26	90129	ROLLER BEARING KIT - DRIP PAN (2 PARTS EA)	2	EA	



Item	Part No.	Name	Qty	Uom	NOTES
27	90226	DRIP PAN COMPLETE, PRO 42"	1	EA	
28	32172	BATTERY HOLDER	1	EA	NO LONGER AVAILABLE
28A	32209	BATTERY HOLDER CLIP	1	EA	
28B	32198	BATTERY/TRANSFORMER MNTG BRACKET F/S	1	EA	
28C	32205	BATTERY/TRANSFORMER MNTG BRACKET B/I	1	EA	
29	80235	LED HARNESS ASSY, 42" (INCLUDES THE LED)	1	EA	
NI	32554	LED HOLDER (INCLUDES NUT)	4	EA	
NI	32055	WASHER	4	EA	
30	90137	KNOB, BURNER, STAINLESS	2	EA	
31	90136	KNOB, ROTIS, STAINLESS	1	EA	
	90139	KNOB KIT, STAINLESS (3 BURNER +1 ROTIS)	1	EA	
32	10001	BEZEL	2	EA	
33	31929	BEZEL SCREW, #6-32 X 1/8 PH PAN	4	EA	
34	31790	FRONT PANEL, 42" PROSEAR	1	EA	NO LONGER AVAILABLE
NI	14005	CLIP, TINNEMAN J TYPE	4	EA	
NI	31013	SCREW, #8 X 1/2 PH TRUSS HD TYPE 'A'	4	EA	
NI	11074	LOGO, LYNX	1	EA	
35	32169	POWER CONVERTER	1	EA	NO LONGER AVAILABLE
36	32199	LIGHT SWITCH, BLUE LIGHTED	1	EA	
37	31398	IGNITER SHIELD	1	EA	
38	80265	BULLNOSE ASSY, 42"	1	EA	
39	31772	IR BURNER VALVE W/MICROSWITCH	1	EA	
41	31794	FLEX HOSE, 9 MM X 38" W/ 7/16 FITTINGS	1	EA	
42	34103	MAIN BURNER VALVE W/MICROSWITCH	2	EA	
	32845	MICROSWITCH	2	EA	
	34197	SCREW	2	EA	

Item	Part No.	Name	Qty	Uom	NOTES
43	80201	MANIFOLD ASSY W/VALVES, 42" LP PROSEAR	1	EA	
	80203	MANIFOLD ASSY W/VALVES, 42" NG PROSEAR	1	EA	
44	90174	HOT SURFACE RETROFIT KIT 42"	1	EA	
	33051	IGNITER, 4 HOT POINT	1	EA	
	33052	IR ELECTRODE, HOT SURFACE	1	EA	
	33969	IGNITER FOR PRO SEAR ONLY	1	EA	
	33551	COLLECTOR BOX FOR BRASS BURNER ONLY	1	EA	
45	30485	H-BURNER (BRASS)	2	EA	
NI	13001	AIR SHUTTER	2	EA	
NI	14050	SCREW	2	EA	
46	33000	PRDSEAR BURNER, 30', 42', 54'	1	EA	
	32242	SCREEN REPLACEMENT, PROSEAR BURNER	1	EA	
47	80645	BRIQUETTE TRAY, WIDE, 30", 42", 54"	2	EA	
	90191	COMPLETE TRAY W/BRIQUETTES & CLIPS	2	EA	
	80644	BRIQUETTE TRAY ONLY NARROW	1	EA	
	90190	BRIQ TRAY ASSY. 30,42,54 NARROW	1	EA	
	31679	BRIQUETTE CENTER CLIP	30	EA	
	31680	END CLIP	10	EA	
48	90053	BRIQUETTES, 35 PER BOX	3	EA	
NI	31588	BRIQUETTE, SINGLE		EA	
49	30417	IR ACCESS COVER	1	EA	
50	14012	SCREW, 1/4-20 X 3/8 PH TRUSS HD S/S	1	EA	
51	80258	ROTISERIE INTERNAL HARNESS	1	EA	NO LONGER AVAILABLE
	31968	JACK INLINE PLUG 2 PRONG	1	EA	
52	80257	LIGHT SWITCH INTERNAL HARNESS + SWITCH	1	EA	

Item	Part No.	Name	Qty	Uom	NOTES
53	32803	TRANSFORMER 2-LEAD W/CAPACITOR	1	EA	
	NOTE	(USE IF UNIT HAS NOT HAD HSIK KIT INSTALLED)			
	36971	POWER SUPPLY (5 AMP)	1	each	
	NOTE	(USE IF HSIK KIT PREVIOUSLY INSTALLED)			
54	31170	ROTISERIE EXTERNAL CORD	1	EA	
55	31769	HOOD HANDLE, 42"	1	EA	
56	31874	EXTENSION SPRING, 30", 42", 54"	2	EA	
NI	14024	LOCK NUT, #8-32, S/S	2	EA	
NI	31782	SHOULDER SCREW	2	EA	
57	31738	HANDLE BUSHING	2	EA	
58	31736	END CAP, HOOD HANDLE WITH INSU	2	EA	
59	90180	Thermometer Replacement Kit	1	EA	
61	32130	SPIT ROD, PRO 42"	1	EA	
62	31563	SPIT FORK, HEAVY DUTY, ALL SIZES	2	EA	
	31061	THUMB SCREW	2	EA	
63	32132	FRONT RETAINING BRACKET, WARMING RACK	2	EA	
64	32133	REAR RETAINING BRACKET, WARMING RACK	2	EA	
65	32194	LEFT RETAINING BRACKET, WARMING RACK	1	EA	
66	14014	SCREW #8-32 X 3/8 PH TRUSS HEAD S/S	6	EA	
67	14024	LOCK NUT, #8-32, S/S	2	EA	
68	14030	SCREW	4	EA	
69	32082	WIND BAFFLE, 42"	1	EA	
70	31206	SCREW, #6-32 X 1/2 PH PAN HEAD, S/S	2	EA	
71	31207	NUT, HEX, #6-32, S/S	4	EA	
72	31013	SCREW, #8 X 1/2 PH TRUSS HD TYPE 'A'	4	EA	
73	37430	SCREW, 10-24 X 5/16, PHP 18-8 SS	2	EA	



Item	Part No.	Name	Qty	Uom	NOTES
74	31031	ALTERNATE LIGHT DEVICE, MATCH HOLDER	1	EA	
NI	CC42	42" GRILL COVER BUILT-IN	1	EA	
	33479	BRACKET, VINYL COVER	2	EA	
NI	CC42F	42" GRILL COVER FREESTANDING	1	EA	
NI	CC42FCB	42" GRILL COVER FREESTANDING WITH SIDE BURNER	1	EA	
NI	20011	DRIP PAN, PORCELAIN	1	EA	
NI	90110	WINDSCREEN 42"	1	EA	
NI	LIJ42	42" INSULATED JACKET	1	EA	
NI	32639	SCREW, 1/4-20 X 1, THP, SS	4	EA	
	NOTE	(USE TO HELP STRAIGHTEN OUT THE SIDES OF THE LIJ)			



Appendix A:Pages Index

L42PSR-1 PROFESSIONAL J SERIES 2007 1



Appendix B:Parts Index

10001	1	31692	1
10043	1	31736	1
10149	1	31738	1
10158	1	31758	1
11074	1	31769	1
13001	1	31772	1
13009	1	31782	1
13015	1	31790	1
13020	1	31794	1
13053	1	31801	1
14005	1	31802	1
14011	1	31804	1
14012	1, 1, 1, 1	31805	1
14014	1, 1	31874	1
14024	1, 1, 1	31929	1
14030	1	31968	1
14050	1	31979	1
20011	1	32055	1
20018	1	32082	1
20055	1	32111	1
30179	1	32130	1
30328	1	32132	1
30329	1	32133	1
30417	1	32158	1
30470	1	32169	1
30485	1	32171	1
30617	1	32172	1
30781	1	32194	1
31013	1, 1	32198	1
31031	1	32199	1
31061	1	32205	1
31170	1	32209	1
31206	1	32222	1
31207	1	32242	1
31342	1	32322	1
31398	1	32554	1
31563	1	32639	1
31588	1	32803	1
31679	1	32845	1
31680	1	33000	1
		33051	1



L42PSR-1 PROFESSIONAL J SERIES 2007

33052	1	CC42F	1
33479	1	CC42FCB	1
33551	1	LIJ42	1
33969	1		
33985	1		
34103	1		
34197	1		
34704	1		
34705	1		
36971	1		
37430	1		
80198	1		
80201	1		
80203	1		
80235	1		
80257	1		
80258	1		
80265	1		
80275	1		
80277	1		
80446	1		
80487	1		
80644	1		
80645	1		
80753	1		
81420	1		
90053	1		
90073	1		
90110	1		
90129	1		
90132	1		
90136	1		
90137	1		
90139	1		
90174	1		
90180	1		
90190	1		
90191	1		
90226	1		
90237	1		
CC42	1		