

Gas Countertop Char Broiler

Models: C-CR24-NG (LP)
 C-CR36-NG (LP)
 C-CR48-NG (LP)

Blow-Out

1	Adjustable Steel Leg
2	Catch Tray
3	Galvanized Flange Face Nut
4	Galvanized Flat Grommet
5	Galvanized American Outside
6	Control Panel
7	Kirsite Knob
8	Needle Type Pressure Joint
9	Needle Type Pressure Joint
10	A18 Stopcock
11	A18 Nozzle (NG) / A18 Nozzle (LP)
12	Pilot Light / Valve-Single Unit
13	Air Input Pipe
14	Pilot Light Head Stator
15	Pilot Light Head
16	Countertop
17	Bottom Frame
18	Grates
19	Char Grate Back
20	Short Covering Fire Board
21	Long Covering Fire Board
22	U-Type Burner
23	Pressure Maintaining Valve
24	Countertop Char Broiler
25	Surround

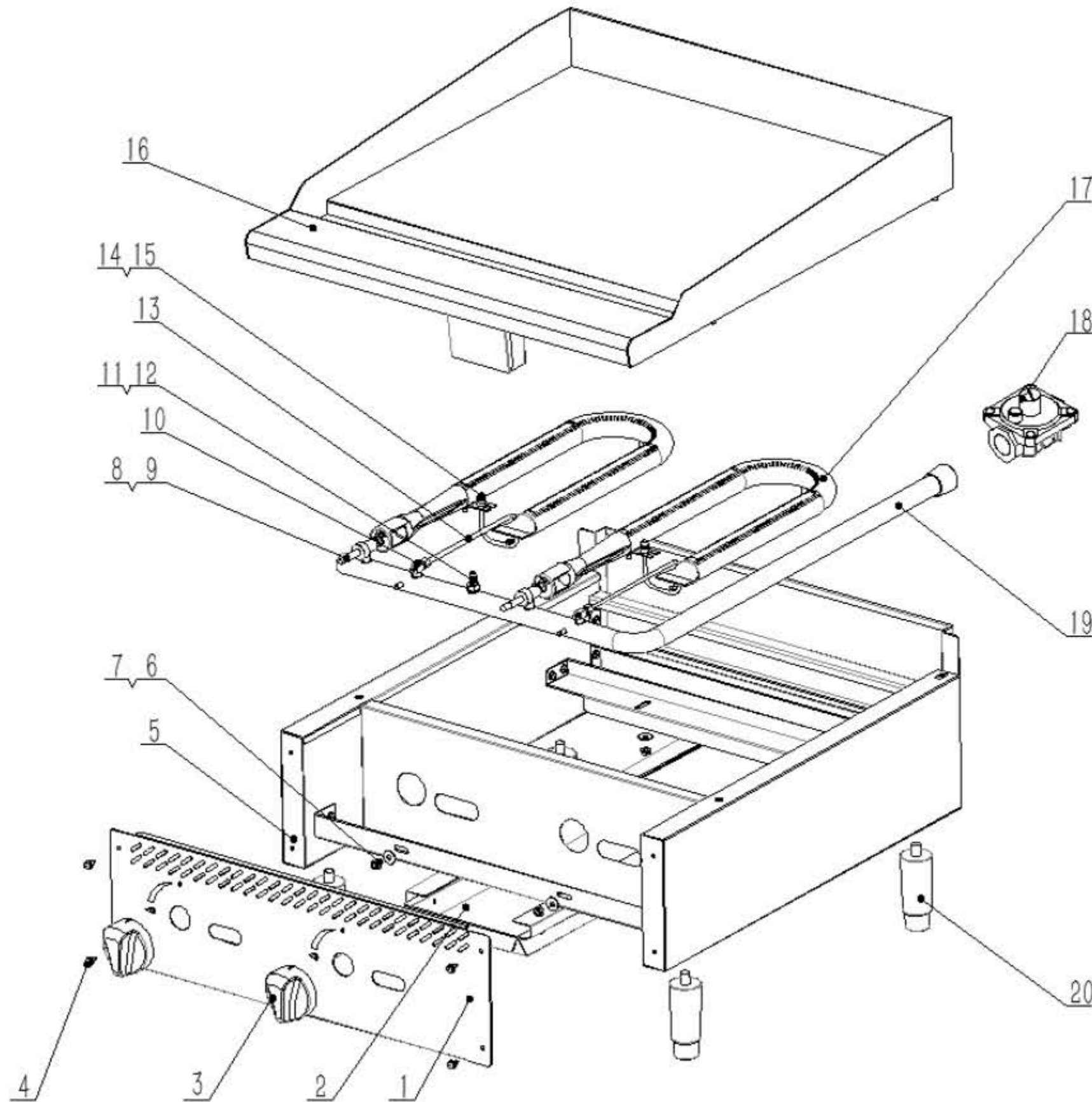
COULD BE DIFERENT ACORDING THE SIZE OF YOUR EQUIPMENT

BY THE QUANTITY OF THE PARTS

Gas Countertop Griddle

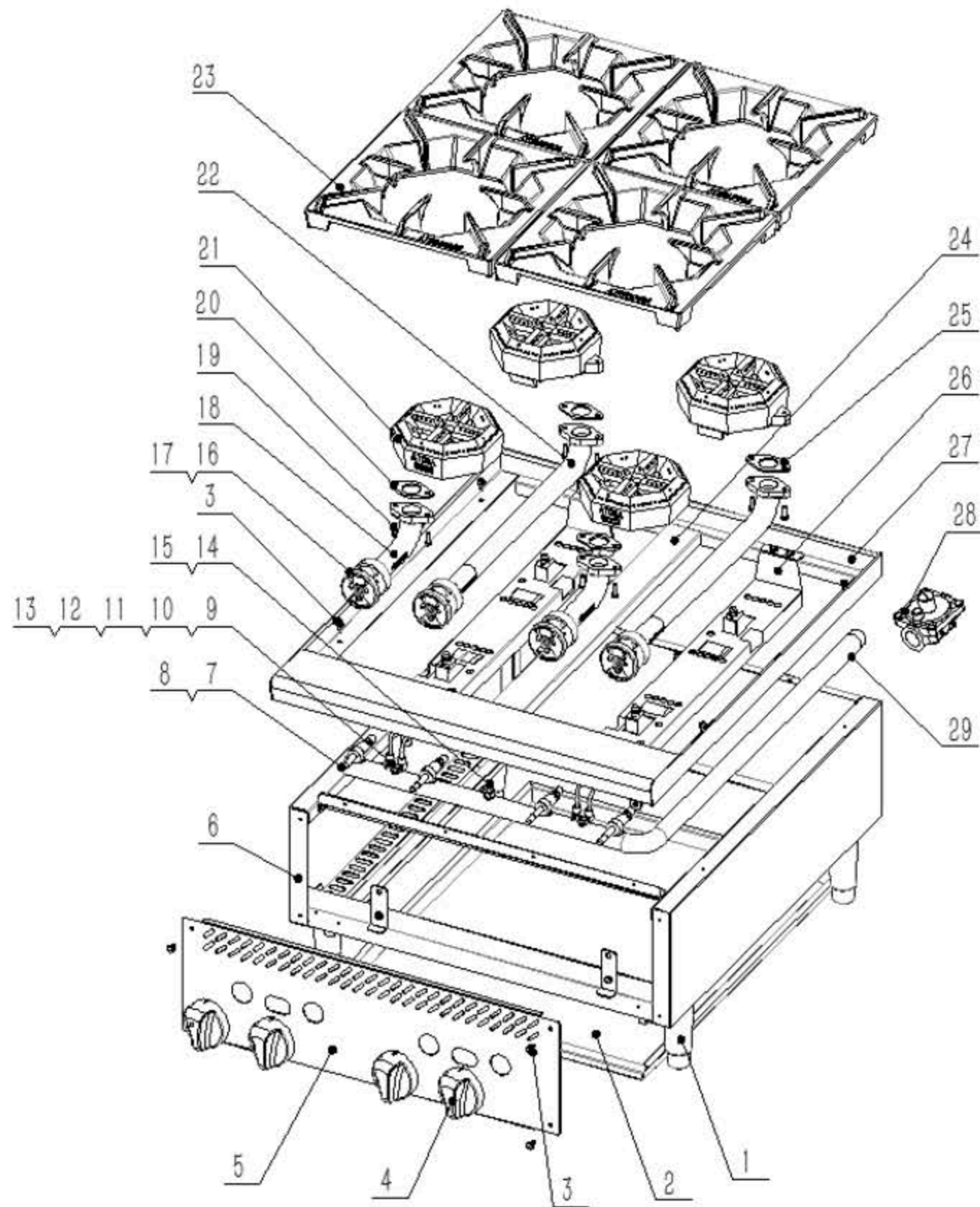
Models: C-G24-NG (LP)
C-G36-NG (LP)
C-G48-NG (LP)

Blow-Out



1	Control Panel
2	Catch Tray
3	Kirsite Knob
4	Galvanized American Out Six
5	Bottom Border Package
6	Galvanized Flange Face Nut
7	Galvanized Flat Grommet
8	A18 Stopcock
9	A18 Nozzle
10	Pilot Light Valve-Single Unit
11	Needle Type
12	Needle Type Pressure Joint
13	Air Input Pipe
14	Nozzle Stator
15	Pilot Light Head
16	Countertop
17	U-Type Burner
18	Pressure Maintaining
19	Countertop Char Broiler
20	Adjustable Counter Top

COULD BE DIFERENT ACORDING THE SIZE OF YOUR EQUIPMENT
BY THE QUANTITY OF THE PARTS



Gas Countertop Hot Plates/Cooktops

Models: C-HP-2-12-NG (LP)
 C-HP-4-24-NG (LP)
 C-HP-6-36-NG (LP)

Blow-Out

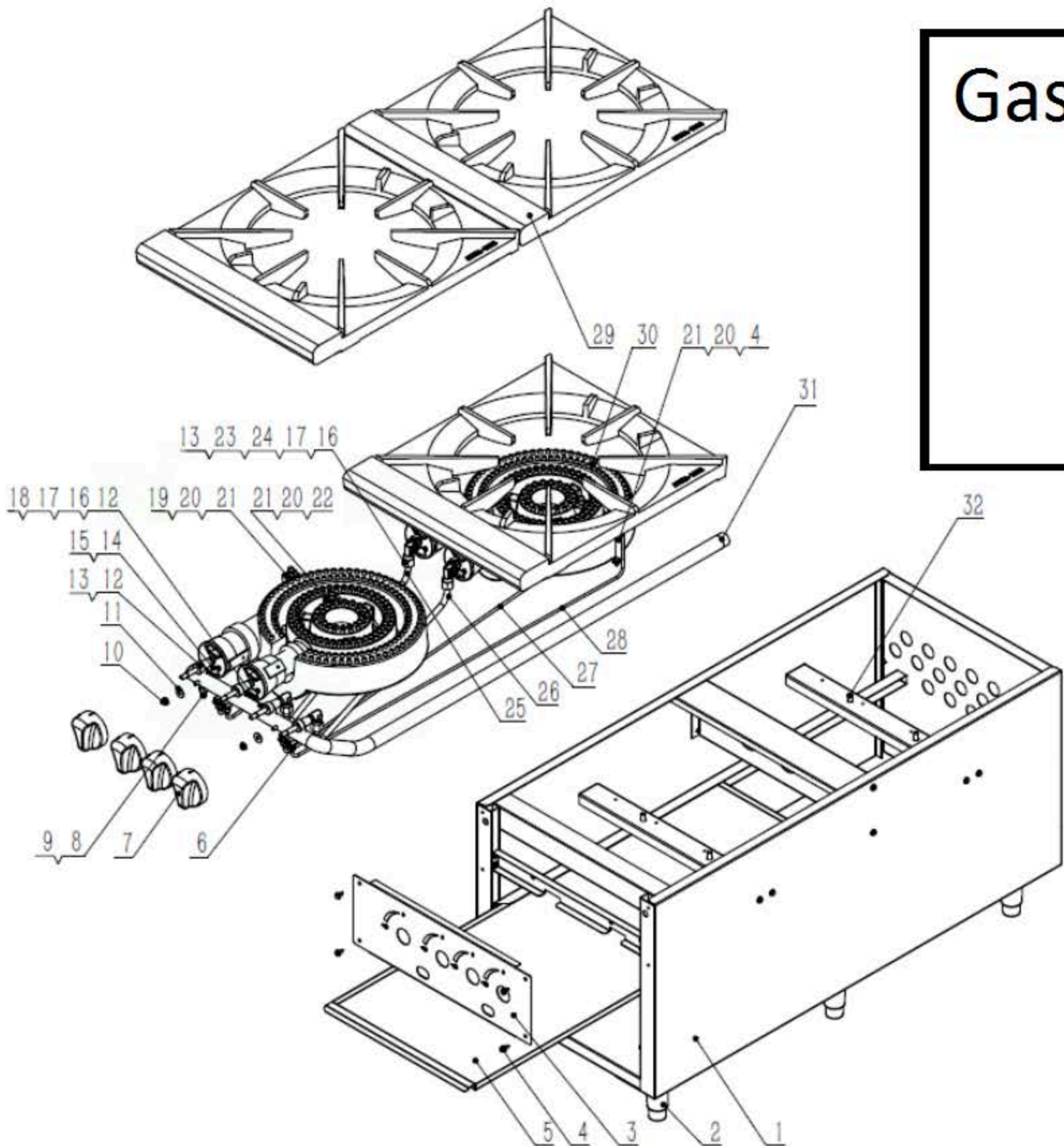
****COULD BE DIFERENT ACORDING THE SIZE OF YOUR EQUIPMENT****
****BY THE QUANTITY OF THE PARTS****

1	Adjustable Steel Leg	19	Stainless Steel Cross Recess Head Screw
2	Catch Tray	20	Seal Pad
3	Galvanized American Outside	21	Octangular Burner
4	Kirsite Knob	22	Long Ejector
5	Control Panel	23	Octangular Cooking Grates
6	Surround	24	Diaphragm
7	A18 Stopcock	25	Gland
8	A18 Nozzle	26	Burner Back Plate
9	Pilot Light Valve-Double Unit	27	Unit
10	Air Input Pipe-Short	28	Pressure Maintaining Valve
11	Air Input Pipe-Long	29	Burner Countertop Hot
12	Nozzle Stator		
13	Pilot Light Head		
14	Needle Type Pressure Joint		
15	Needle Type Pressure Joint		
16	Damper Cover		
17	Stainless Steel Cross Recess Head Screw		
18	Short Ejector		

Gas Heavy Duty Stock Pot Stove

Models: C-SPS-1-18-NG (LP)
 C-SPS-2-18-NG (LP)
 C-SPS-1-18L-NG (LP)
 C-SPS-2-18L-NG (LP)

Blow-Out



1	Body Unit
2	Adjustable Steel Leg
3	Control Panel
4	Galvanized American Outside Six Corner with Pad Tapping
5	Catch Tray
6	Pilot Light Valve-Double Unit
7	Kirsite Knob
8	Needle type Pressure Joint
9	Needle Type Pressure Joint Screw Arbor
10	Galvanized Flange Surface Nut
11	Galvanized Flat Washer
12	A18 Stopcock
13	A18 Nozzle
14	Damper Cover
15	Stainless Steel Cross Screws
16	Brass Nut
17	Brass Hoop
18	Brass Street Elbow

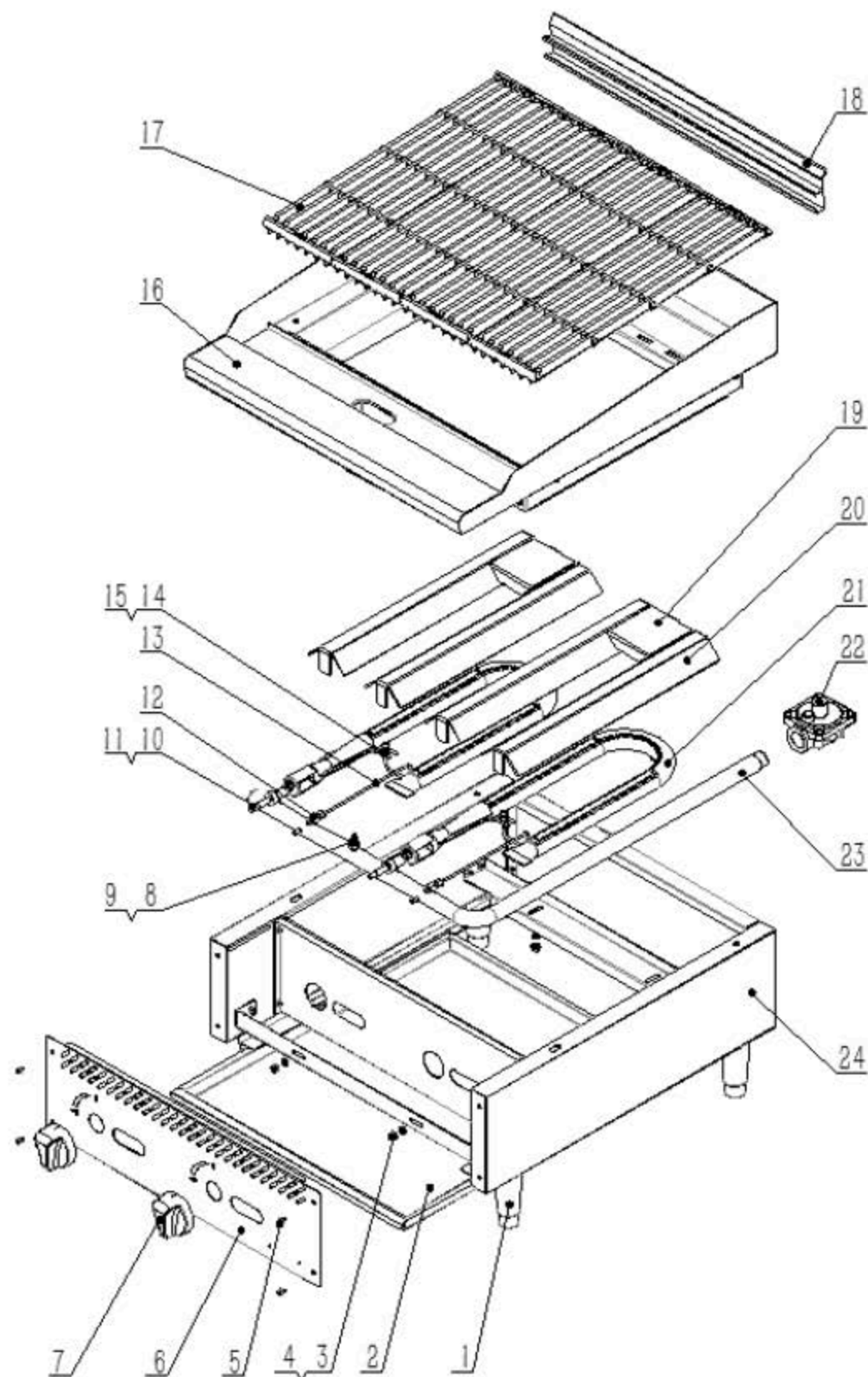
19	Front Bruner Outer Pilot Intake-Tube
20	Pilot Light Head
21	Pilot Light Head Stator
22	Front Burner Inner Pilot Intake-Tube
23	Brass Lock Nut
24	Brass Double Male Elbow
25	Back Burner Outer Ring Main Gas Pipe
26	Back Burner Inner Ring Main Gas Pipe
27 & 28	Back Burner Pilot Light In-Take Tube
29	Boiler Cradle
30	Boiler Burner
31	Broiler In-Take Tube (Single or Double Head)
32	Galvanized Flange Screws

COULD BE DIFERENT ACORDING THE SIZE OF YOUR EQUIPMENT
 BY THE QUANTITY OF THE PARTS

Gas Radiant Countertop Char Broiler

Models: C-RB24-NG (LP)
C-RB36-NG (LP)
C-RB48-NG (LP)

Blow-Out



****COULD BE DIFERENT ACORDING THE SIZE OF YOUR EQUIPMENT****
****BY THE QUANTITY OF THE PARTS****

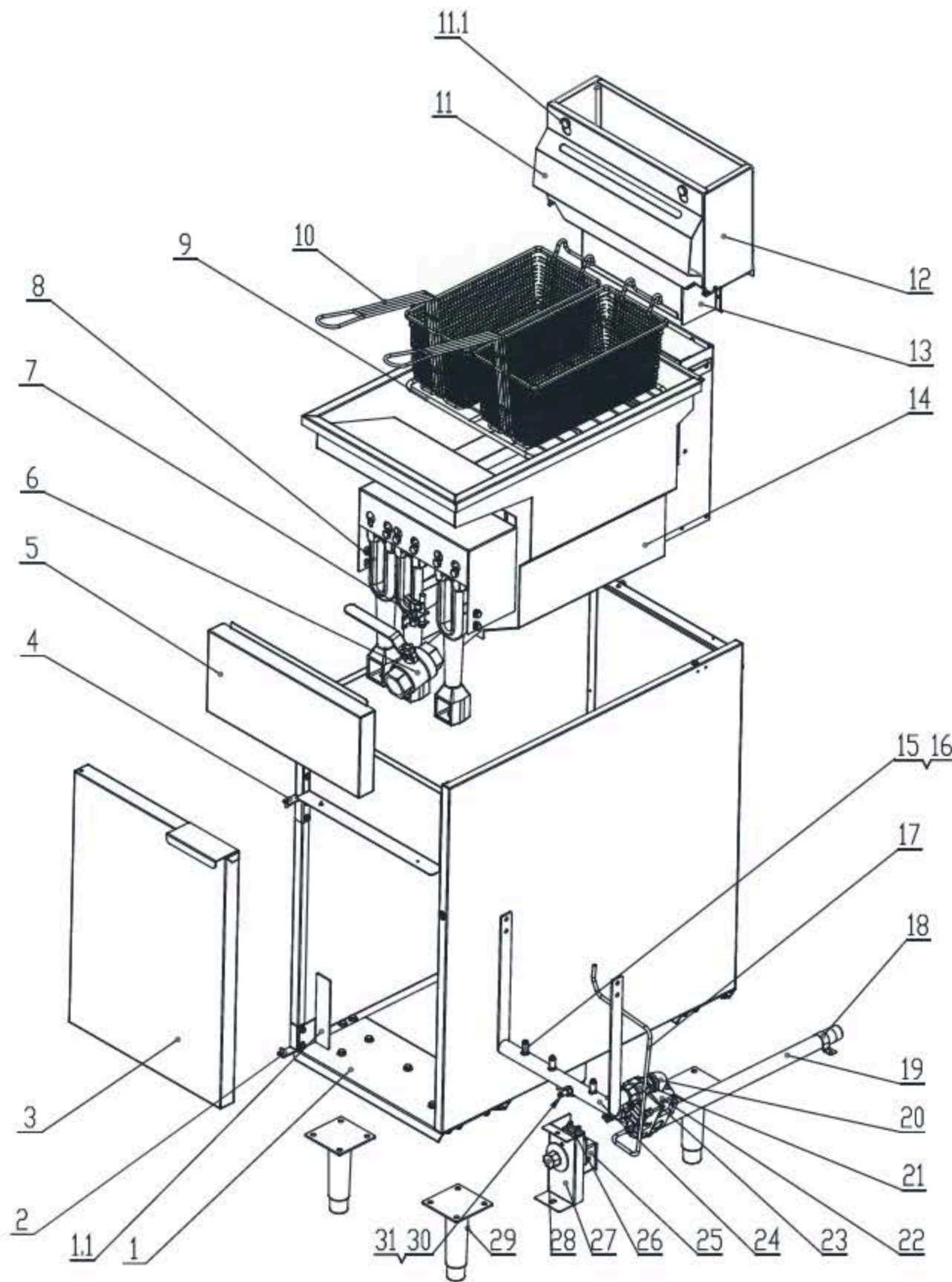
1	Adjustable Steel
2	Catch Tray
3	Galvanized Flange Face Nut
4	Galvanized Flat Grommet
5	Galvanized American Outside Six
6	Control Panel
7	Kirsite Knob
8	Needle Type
9	Needle Type Pressure Joint
10	A18 Stopcock
11	A18 Nozzle
12	Pilot Light Valve-Single Unit
13	Air Input Pipe
14	Pilot Light Head Stator
15	Pilot Light Head
16	Countertop
17	Grates
18	Char Grate Back Support Brace

19	Radiants (Short)
20	Radiants (Long)
21	U-Type Burner
22	Pressure Maintaining
23	Countertop Char Broiler
24	Surround

Gas Vertical Fryer

Models: C-F40-NG (LP)
C-F50-NG (LP)
C-F75-NG (LP)

Blow-Out



1	Body Assembly
1.1	Oil Drain Pipe Fixer
2	Lower Axillare
3	Door Assemble Assembly
4	Upper Axillare
5	Front Panel
6	Oil Drain Valve
7	Thermocouple
8	Burner
9	Flat Screen
10	Fry Basket
11	Hanging Plate
11.1	Stainless Steel
12	External Upper Smokestack
13	Internal Upper Smokestack
14	Hydro-Cylinder Assembly
15	Nozzle Join
16	Fryer Nozzle
17	Fire Assembly
18	Intake-Tube
19	Intake-Tube
20	Black Internal and External Wire
21	Two pipes joint
22	Safety Valve
23	Loose Joint
24	Nozzle Windpipe Welding Assembly
25	Temperature
26	Thermostate
27	Temperature control mounting
28	Temperature
29	Adjustable Steel
30	Needle Type
31	Needle Type Pressure Joint