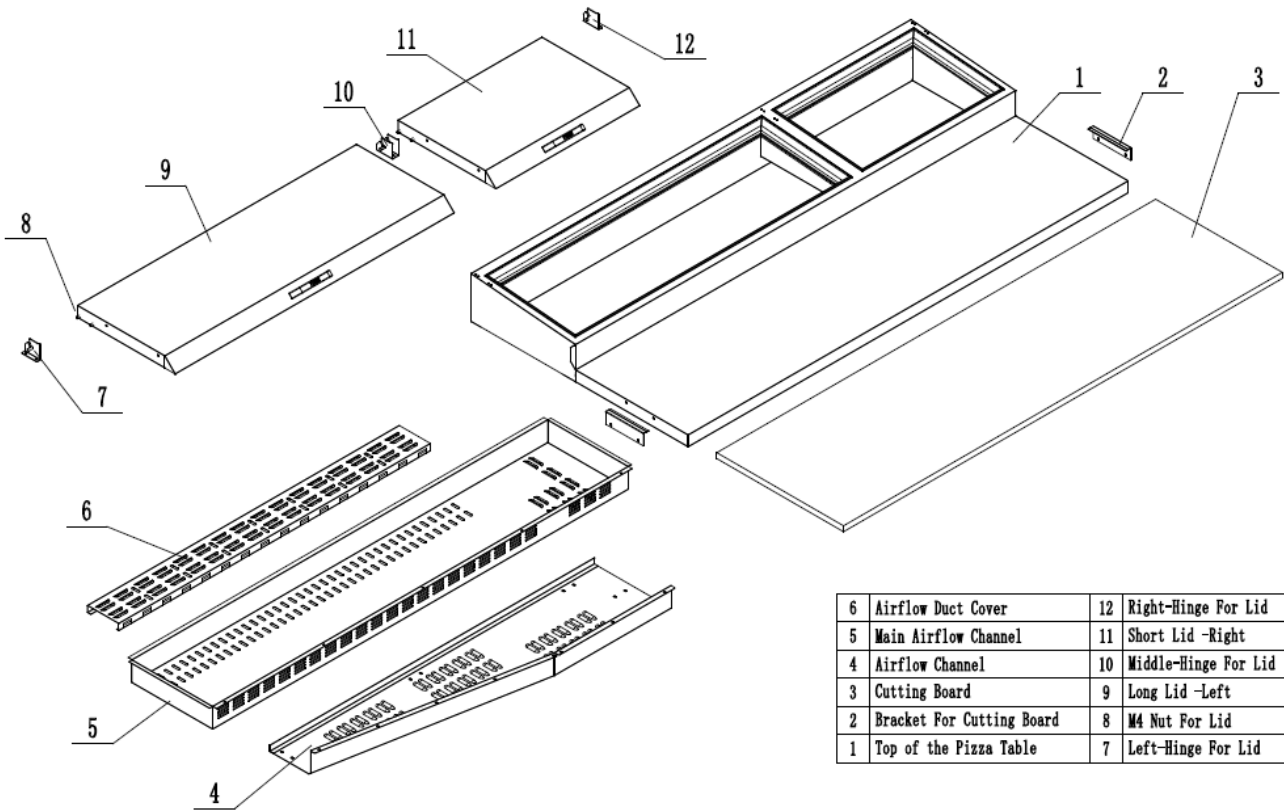


C-PP67

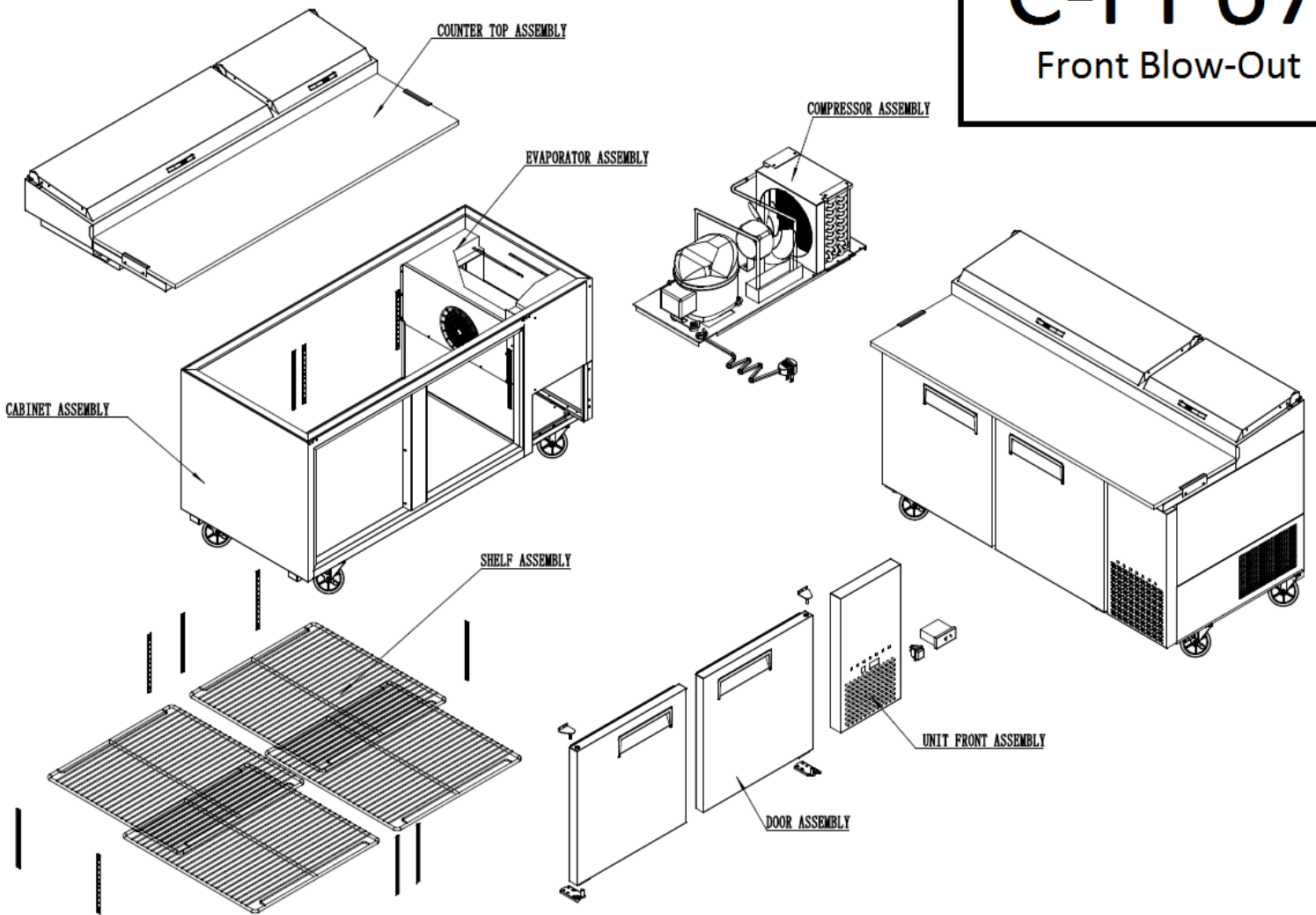
Counter Top Blow-Out



6	Airflow Duct Cover	12	Right-Hinge For Lid
5	Main Airflow Channel	11	Short Lid -Right
4	Airflow Channel	10	Middle-Hinge For Lid
3	Cutting Board	9	Long Lid -Left
2	Bracket For Cutting Board	8	M4 Nut For Lid
1	Top of the Pizza Table	7	Left-Hinge For Lid

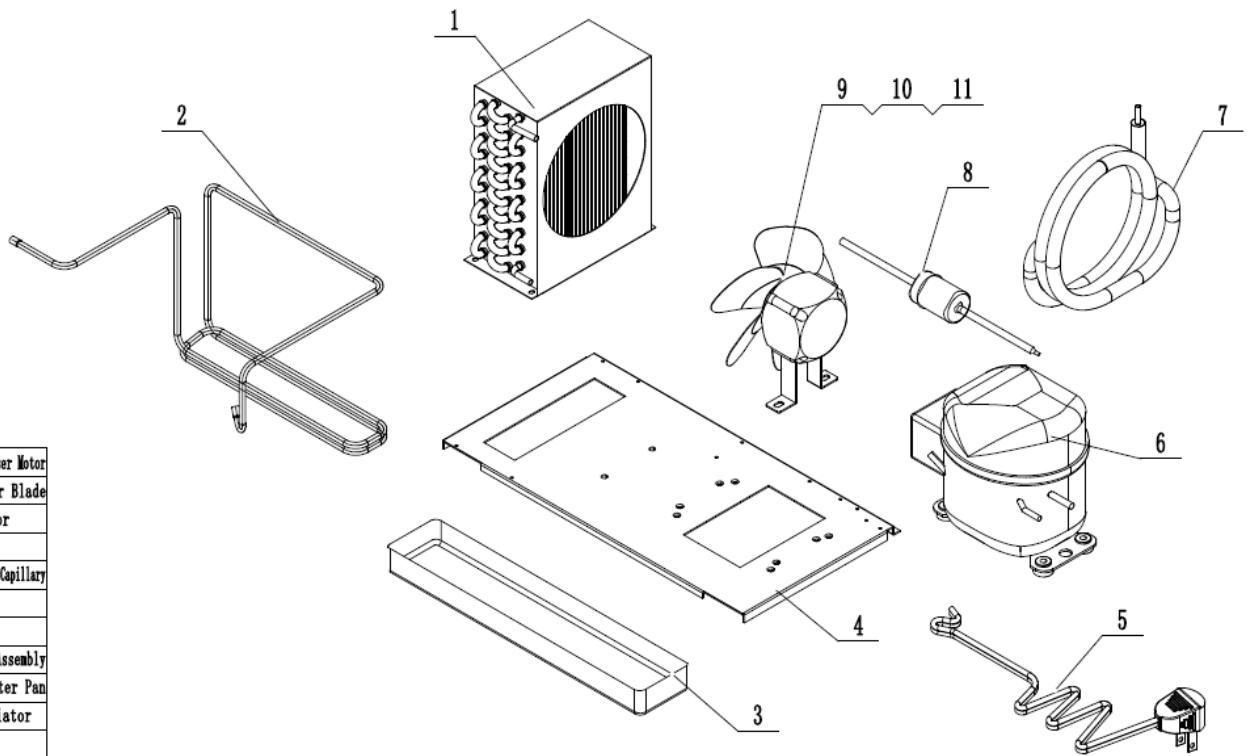
C-PP67

Front Blow-Out



C-PP67

Condenser Blow-Out

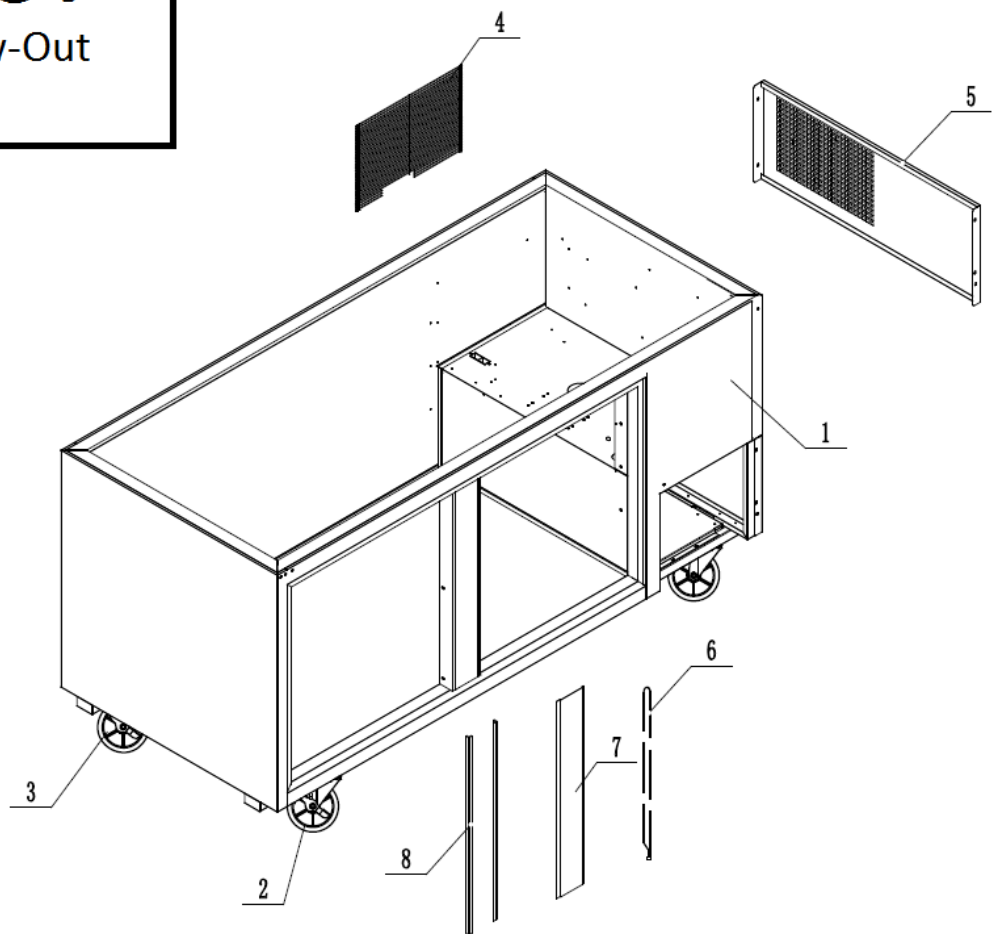


11	Braket For Condenser Motor
10	Condenser Motor Blade
9	Condenser Motor
8	Dryer Filter
7	Section Tube B with Capillary
6	Compressor
5	Power Cord
4	Board For Comp Assembly
3	Bottom Evap-Water Pan
2	Coil-Pipe Radiator
1	Condenser

C-PP67

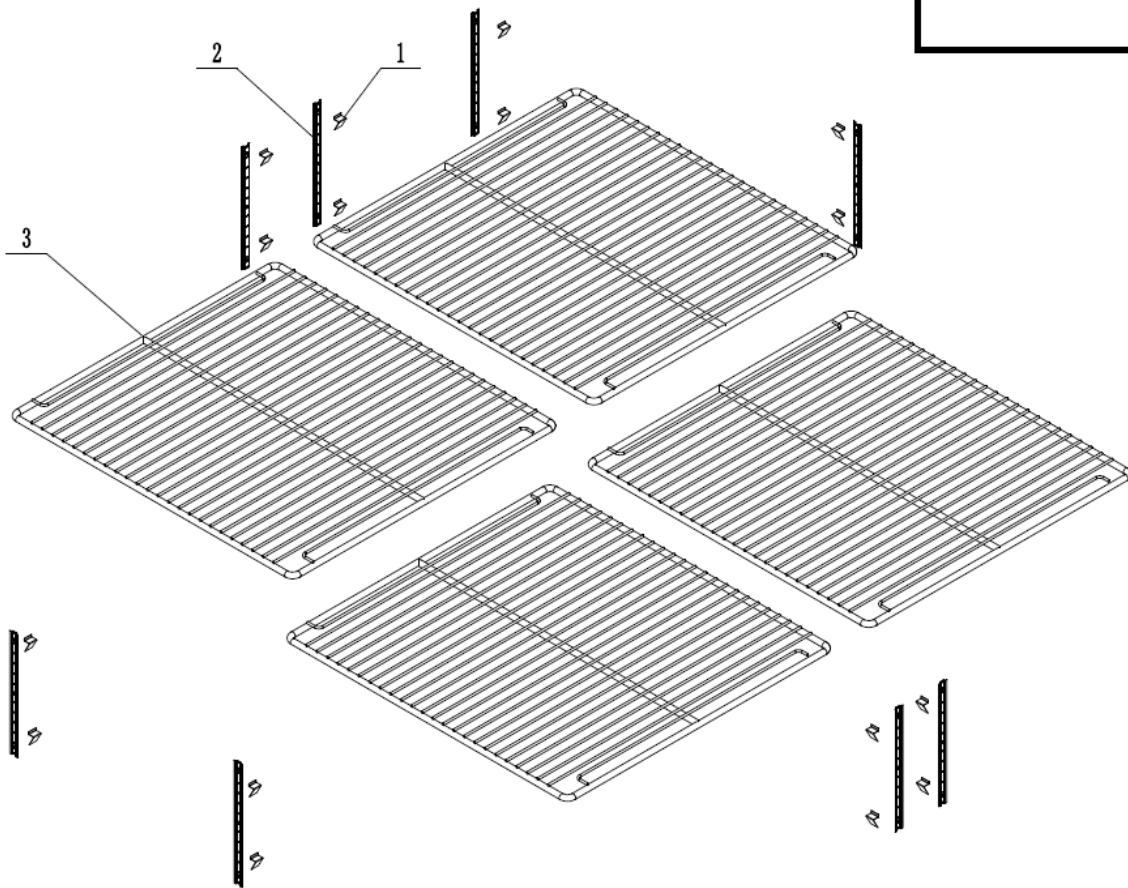
Cabinet Blow-Out

8	Middle Mullion Frame Strip
7	Middle Mullion Front Plate
6	Middle Mullion Wiring Heater
5	Side Protect Cover
4	Rear Protect Barrier
3	Caster-5" Wheel
2	Caster-5" Wheel With Bracket
1	Cabinet Body Assembly



C-PP67

Shelf Blow-Out

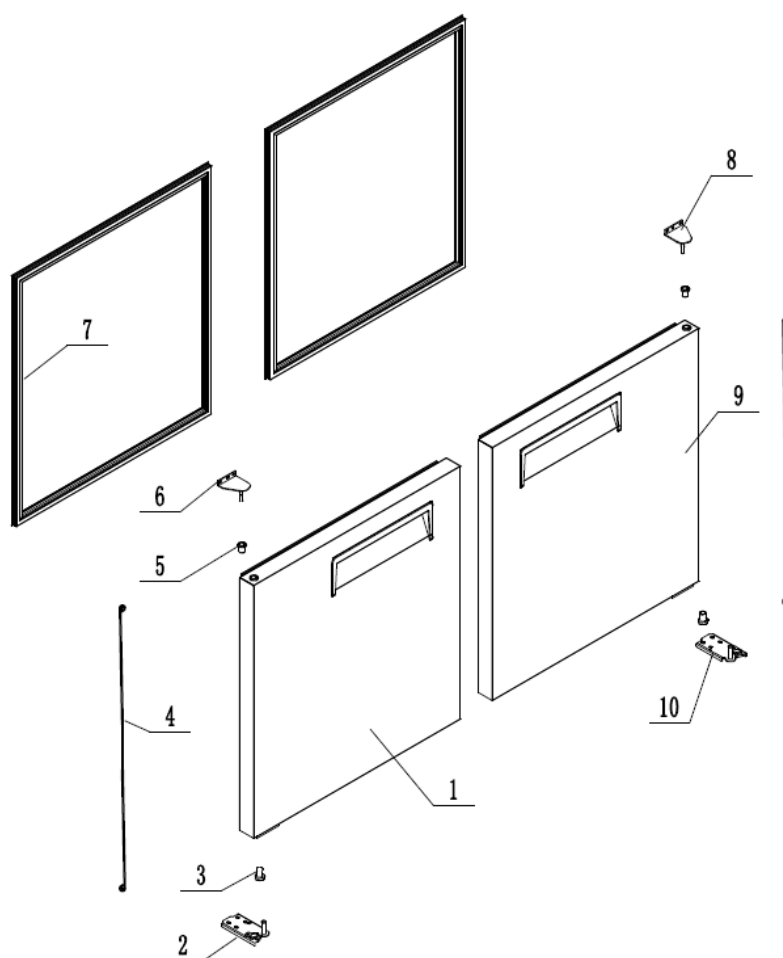


3	Shelf
2	Pilaster For Shelf
1	Shelf Support Clip

C-PP67

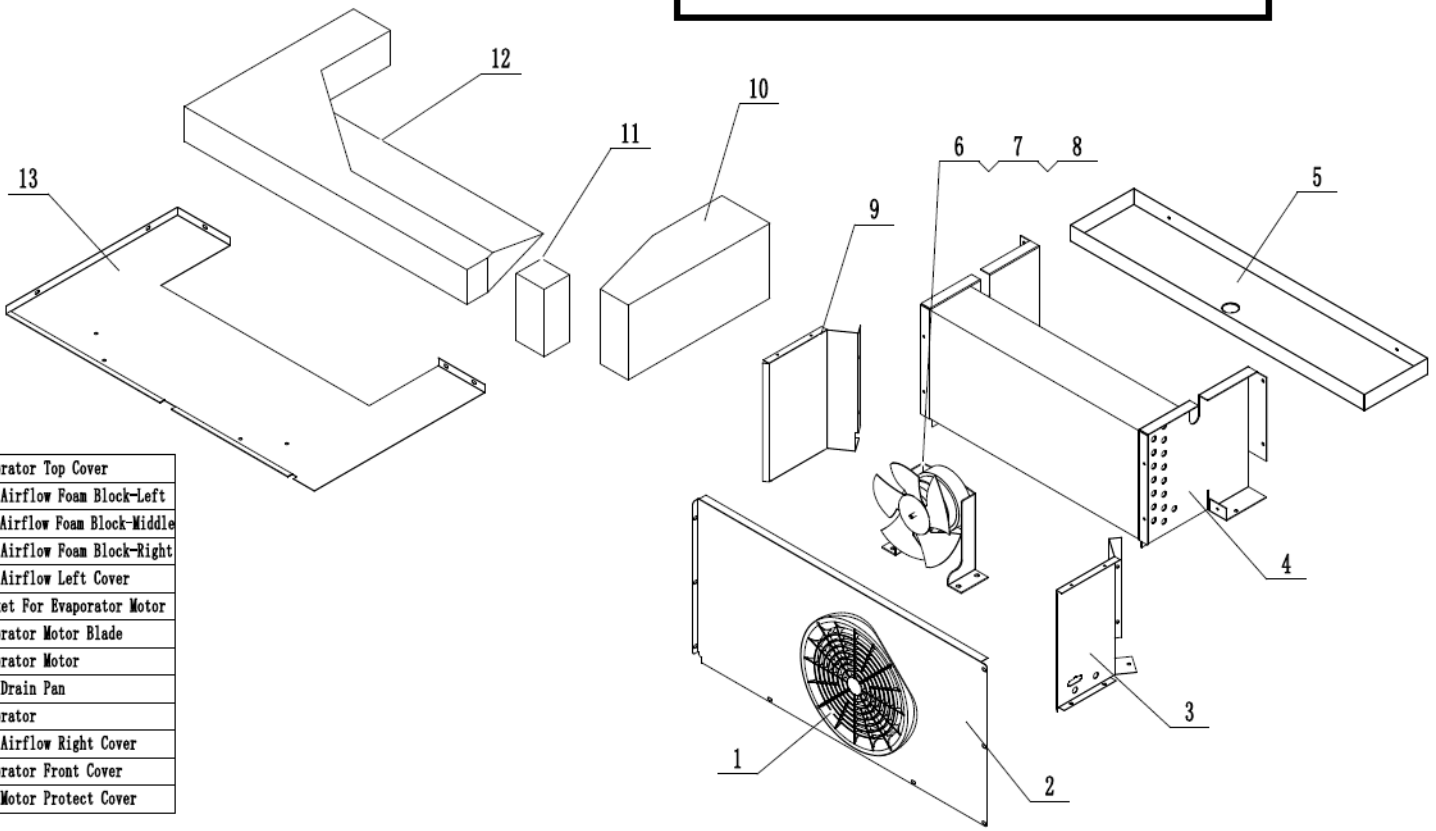
Door Blow-Out

10	Right-Bottom Hinge
9	Door Body Assembly-Left
8	Right-Top Hinge
7	Door Gasket
6	Left-Top Hinge
5	Door Shaft Sleeve-Top
4	Door Spring Rod
3	Door Shaft Sleeve-Bottom
2	Left-Bottom Hinge
1	Door Body Assembly-Right



C-PP67

Evaporator Blow-Out



13	Evaporator Top Cover
12	Evap Airflow Foam Block-Left
11	Evap Airflow Foam Block-Middle
10	Evap Airflow Foam Block-Right
9	Evap Airflow Left Cover
8	Bracket For Evaporator Motor
7	Evaporator Motor Blade
6	Evaporator Motor
5	Evap Drain Pan
4	Evaporator
3	Evap Airflow Right Cover
2	Evaporator Front Cover
1	Evap Motor Protect Cover

C-PP67

Unit Front Blow-Out

3	Water-Proof Power Switch
2	Digital Controller For Refrigerator
1	Front Control Panel

