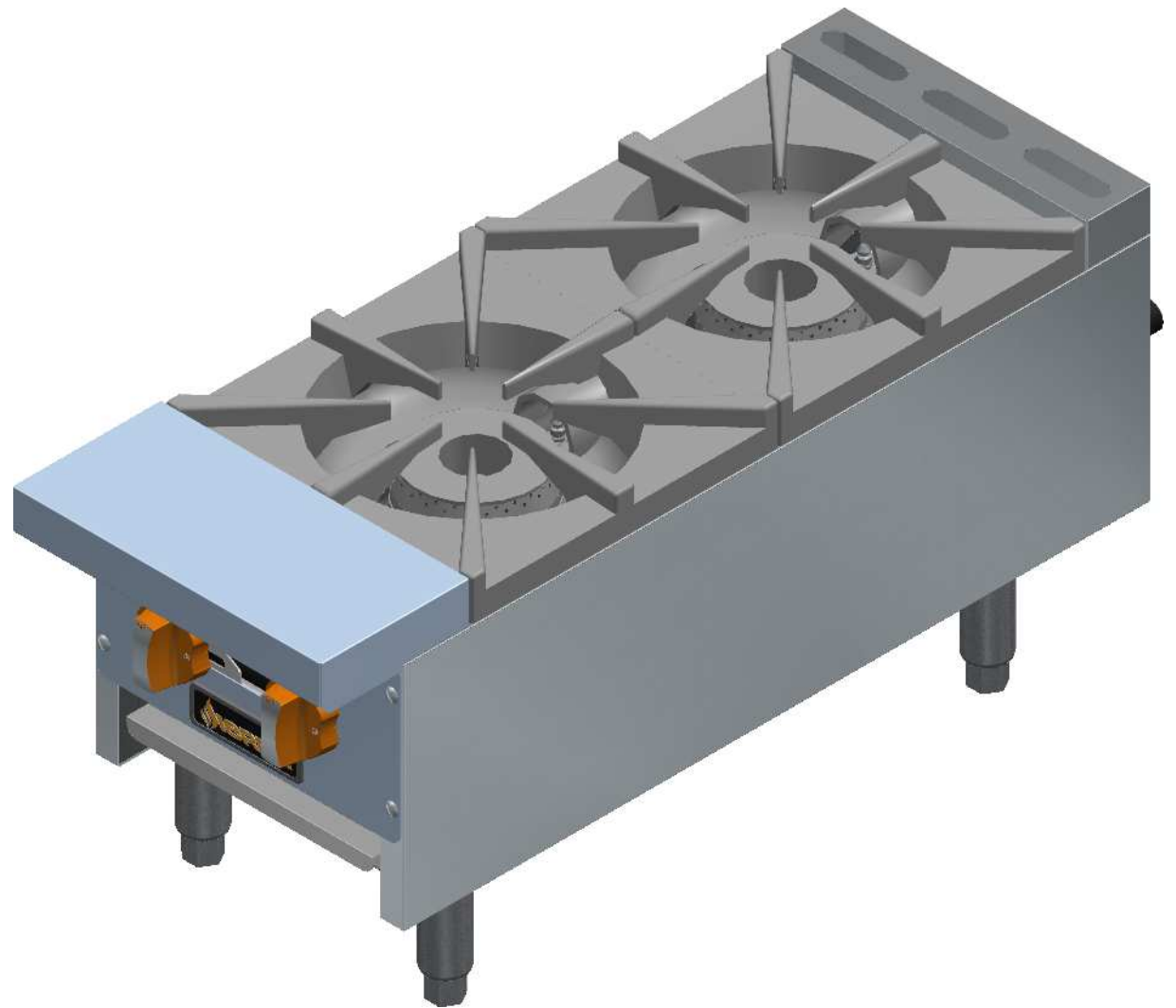




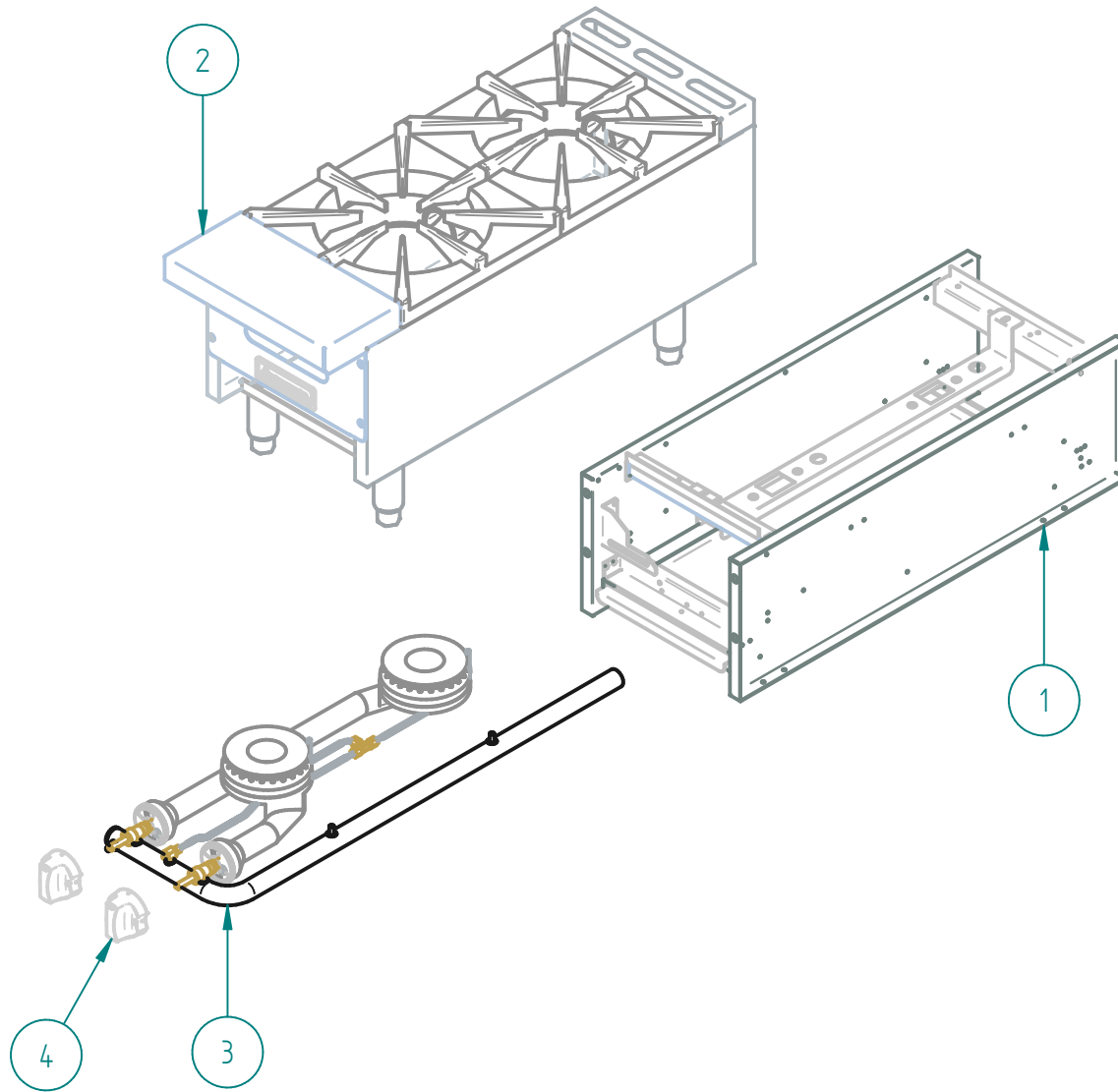
SRHP-2-12

PARTS BREAKDOWNS





PARTS BREAKDOWNS

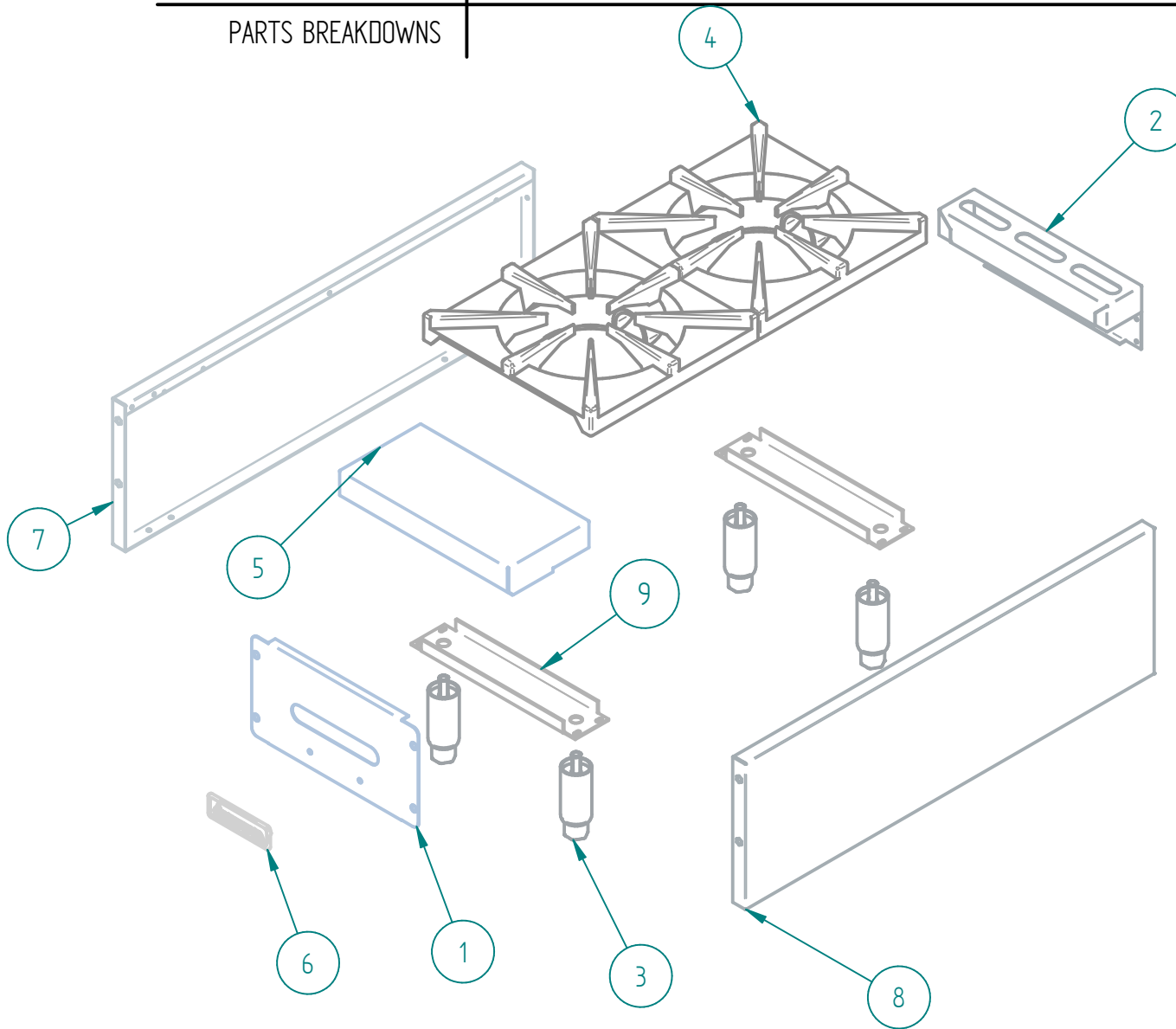


Item	Code	Description	Qty.
1	S853143002	INNER PANEL HP 12"	1
2	S853141003	OUTER PANEL HP-12"	1
3	S853159001	GAS SYSTEM HP-12 NG	1
4	S855068000	SIERRA KNOB	2



S853141003 OUTER PANEL HP-12

PARTS BREAKDOWNS

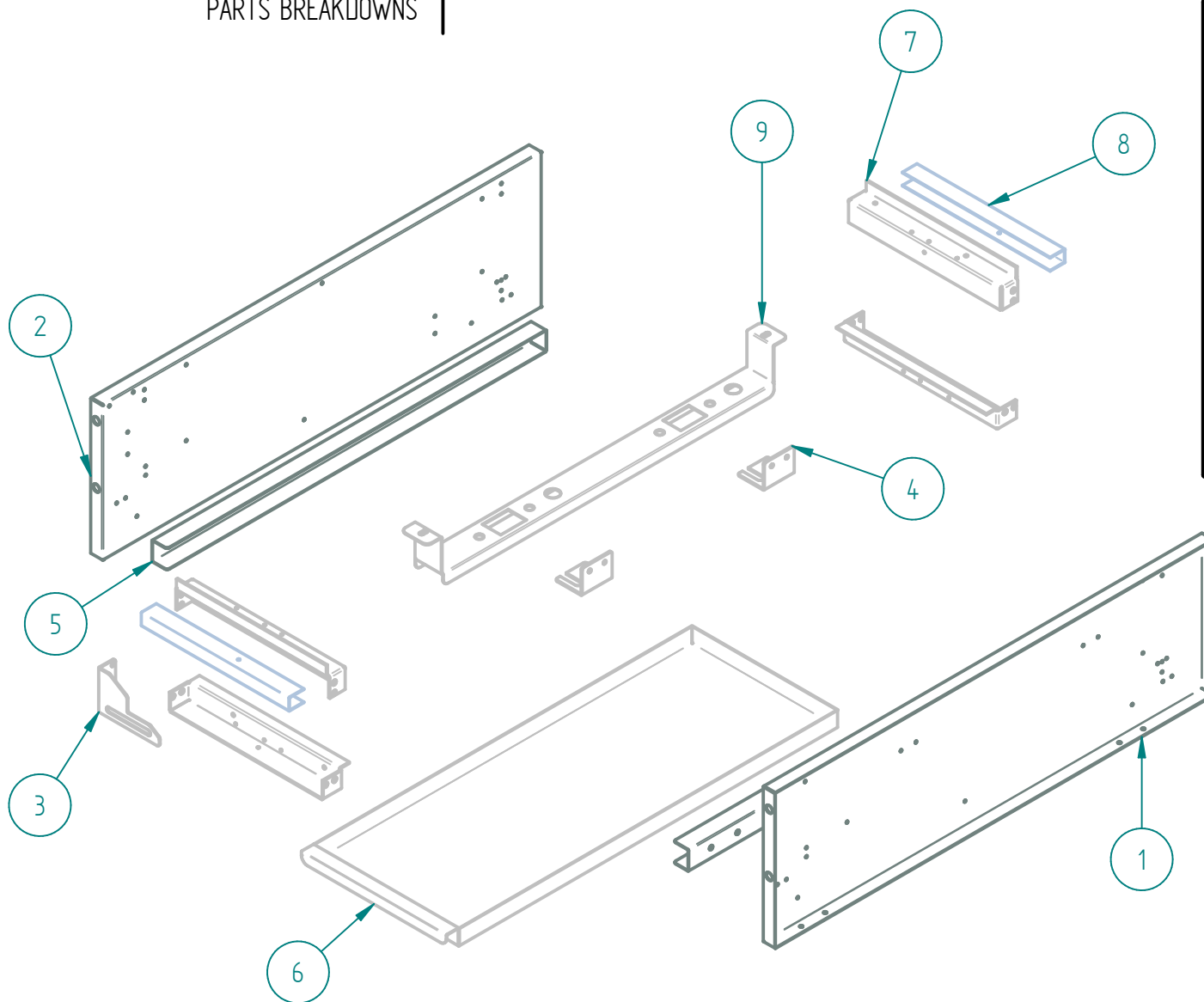


Item	Code	Description	Qty.
1	S85290800	CONTROL PANEL 12"	1
2	S86285800	CHIMNEY 12" SIERRA	1
3	S86287900	ADJUSTABLE FEET 4-6"	4
4	S85540400	BLACK TOP GRATE	2
5	S86285900	UPPER FRONT 12"	1
6	S85507300	SIERRA NAME PLATE	1
7	S86283000	LEFT OUTER PANEL	1
8	S862831002	RIGHT OUTER PANEL	1
9	S862610300	LEG SUPPORT 12"	2



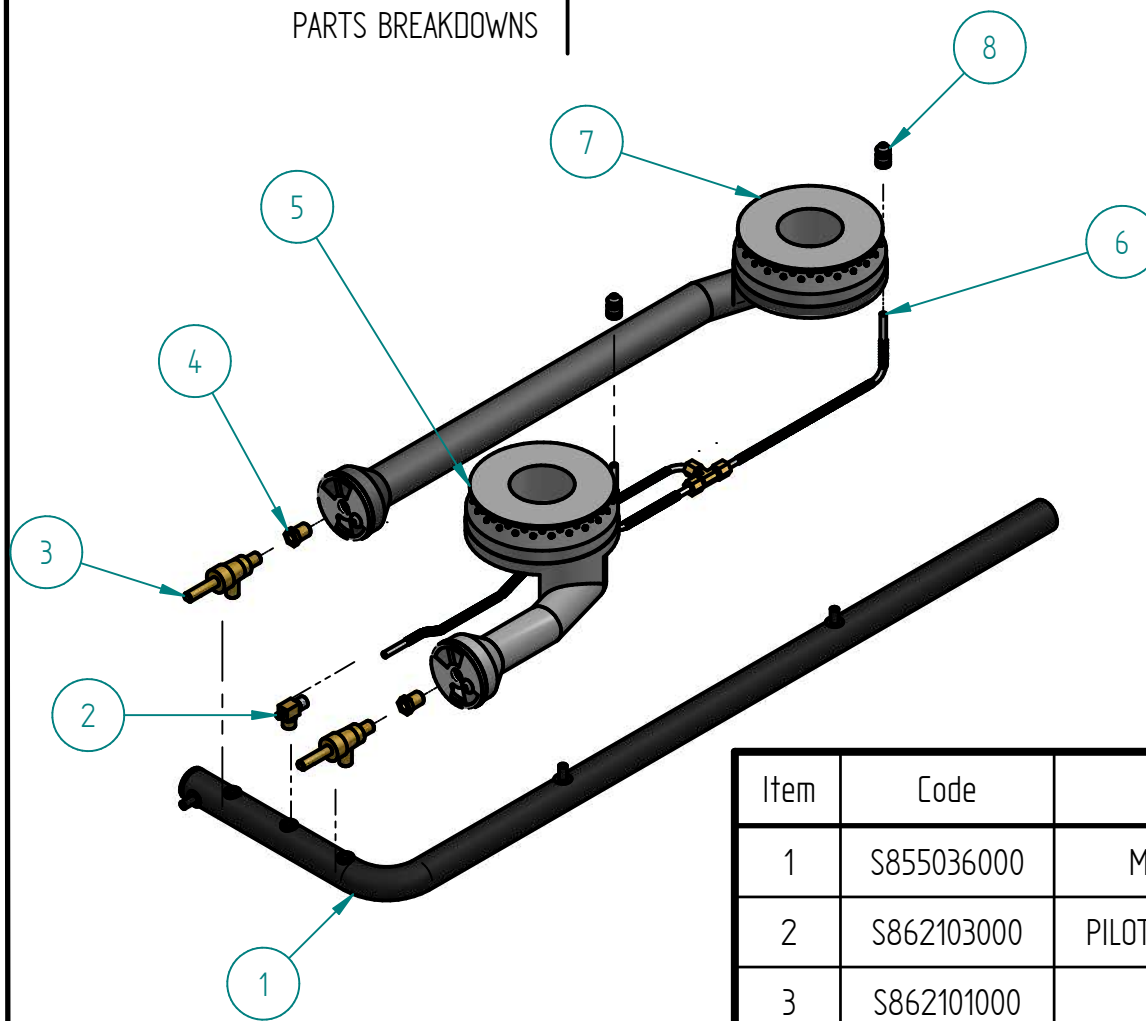
S853143002 INNER PANEL HP-12 NG

PARTS BREAKDOWNS



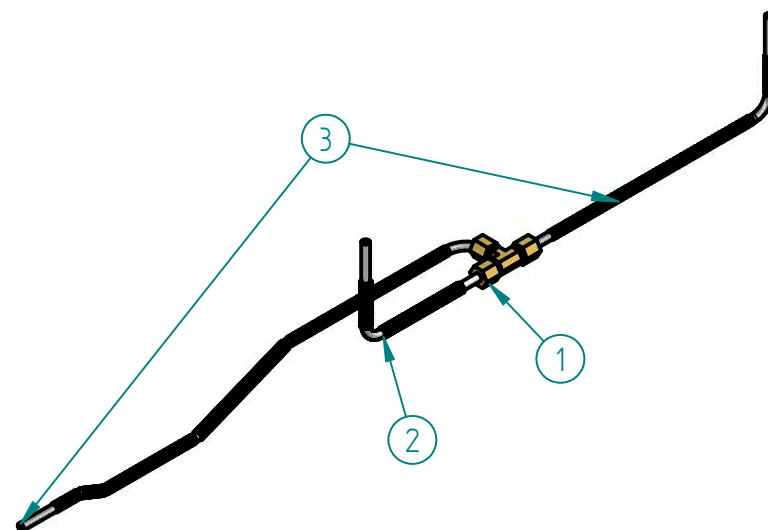
Item	Code	Description	Qty.
1	S86264200	INNER RIGHT PANEL	1
2	S862641002	INNER LEFT PANEL	1
3	S86264900	FRONT MANIFOLD	1
4	S86264800	SIDE MANIFOLD	2
5	S902610002	TRAY SLIDERS	2
6	S85273400	TRAY COLLECTOR	1
7	S85273300	UPPER FRONT	4
8	S86267800	BOLT COVER 12"	2
9	S853110200	BURNER SUPPORT	1

PARTS BREAKDOWNS



Item	Code	Description	Qty.
1	S855036000	MANIFOLD 12" HP	1
2	S862103000	PILOT REGULATOR AP7-1	1
3	S862101000	TOP VALVE	2
4	S862413000	FEMALE ORIFICE # 40	2
5	S855709000	FRONT BURNER BODY	1
6	S853328000	CONNECTION TOP BURNERS	1
7	S855710000	REAR BURNER BODY	1
8	S865006000	PILOT TIP A73007	2

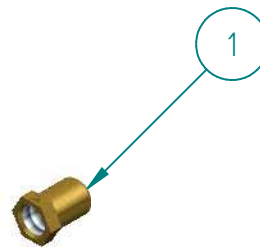
Item	Code	Description	Qty
1	S855028000	"T" COMPRESSION PLUG	1
2	S855060000	SS FLEXIBLE PIPE 150	1
3	S855061000	SS FLEXIBLE PIPE 350	1





S750400900 – Conversion Kit HP-2-12 NG to LP

PARTS BREAKDOWNS



Item	Code	Description	Qty
1	S862410000	FEMALE ORIFICE #54	2

108-SRHP-2-12 NG

ITEM	NO.	CODE		QTY.
NO.			SUB XV 1	
109-0557	1	S853143002	#S853143002 INNER PANEL HP 12"	1
109-0558	2	S853141003	#S853141003 OUTER PANEL HP-12"	1
109-0559	3	S853159001	#S853159001 GAS SYSTEM HP-12 NG	1
109-0036	4	S855068000	#S855068000 TEMP CONTROL KNOB SIERRA	2
			SUB XV 2	
109-0022	1	S85290800	#S852908001 CONTROL PANEL 12	1
109-0061	2	S86285800	#S862858001 CHIMNEY 12 "	1
108-SAL	3	S86287900	#S862879000 ADJUSTABLE LEG FOR COUNTER UNITS 4-6"	4
109-0039	4	S85540400	#S855404000 TOP BURNER SUPPORT BLACK	2
109-0062	5	S86285900	#S862859001 PREVIOUS TABLE 12 "	1
109-0037	6	S85507300	#S855073000 PLATE SAW	1
109-0350	7	S86283000	#S862830002 LEFT OUTER PANEL	1
109-0351	8	S862831002	#S862831002 RIGHT OUTER PANEL	1
109-0433	9	S862610300	#S862610300 LEG SUPPORT 12"	2
			SUB XV 3	
109-0434	1	S86264200	#S862642002 INNER RIGHT PANEL	1
109-0435	2	S862641002	#S862641002 INNER LEFT PANEL	1
109-0259	3	S86264900	#S862649002 FRONT MANIFOLD SUPPORT	1
109-0255	4	S86264800	#S862648002 SIDE MANIFOLD SUPPORT	2
109-0342	5	S902610002	#S902610002 TRAY SLIDERS	2
109-0017	6	S85273400	#S852734001 TRAY COLLECTS GREASE 12 "	1
109-0436	7	S85273300	#S852733002 UPPER FRONT SUPPORT 12"	4
109-0437	8	S86267800	#S862678002 BOLT COVER 12"	2
109-0256	9	S853110200	#S853110200 BURNER SUPPORT	1
			SUB XV 4	
109-0031	1	S855036000	#S855036000 MANIFOLD 12	1
109-0048	2	S862103000	#S862103000 PILOT REGULATOR	1
109-0047	3	S862101000	#S862101000 TAP / GAS VALVE	2
109-0053	4	S862413000	#S862413000 ORIFICE 40	2
109-0044	5	S855709000	#S855709000 FRONT BURNER BODY	1
109-0335	6	S853328000	#S853328000 #19 CONEXION TOP BURNERS	1
109-0045	7	S855710000	#S855710000 REAR BURNER BODY	1
109-0073	8	S865006000	#S865006000 PILOT TIP A73007	2
			SUB XV 4	
109-0028	1	S855028000	#S855028000 COMPRESSION CONNECTOR T 41714	1
109-0033	2	S855060000	#S855060000 PILOT TUBE STAINLESS STEEL 150	1
109-0034	3	S855061000	#S855061000 PILOT TUBE STAINLESS HOSE 350	1
109-0560	1	S750400900	CONVERSION KIT NG TO LP	1
109-0052	1	S862410000	#S862410000 ORIFICE 54	2