



SECTION 5

PARTS LISTS & EXPLODED VIEWS

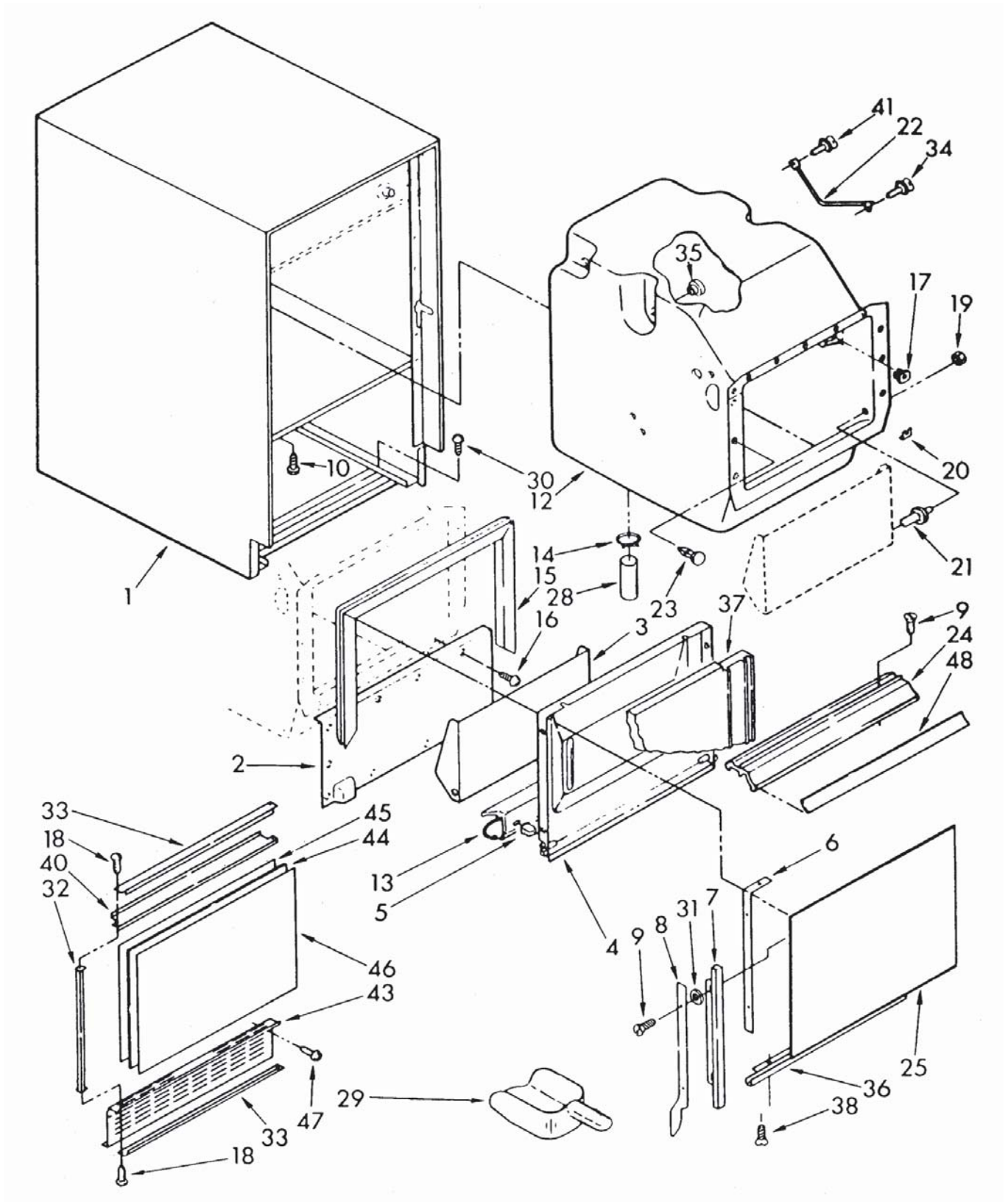


506 CABINET, LINER & DOOR PARTS LIST (Prior to Serial #1181341)

<u>Ref #</u>	<u>Part #</u>	<u>Description</u>
1.	758848	Shell
2.	758652	Front, Shell
3.	756330	Door, Inner Bin
4.	819361	Liner, Door
5.	758652	Plug, Hinge
6.	593104	Strip, Tapping
7.	758748	Trim, Door - RS
	758748	Trim, Door - LS
8.	593184	Rail, RS
	593185	Rail, LS
9.	681459	Screw, 8-32 x 1/2
10.	488437	Screw, Harness - Ground
12.	756350	Liner
13.	758169	Gasket, Bottom
14.	596023	Clamp
15.	758921	Gasket
16.	965173	Screw, 8-32 x 3/8
17.	596807	Grommet
18.	965173	Screw
19.	681542	Nut, 1/4 Hex
20.	758492	Washer, Slotted
21.	758220	Stud
22.	561814	Well, Bin Thermostat
23.	596605	Clip, Panel
24.	756662	Pull, Door
25.	758888	Panel, Exterior
28.	598894	Connector, Hose
29.	585158	Scoop
30.	241428	Screw, #10-32 x 3/3
31.	681613	Plastic, Washer
32.	758713	Trim, Front Panel
33.	758716	Trim, Front Panel
34.	680930	Thumbscrew, #10-1/2
35.	596715	Well Nut
36.	755677	Trim, Door (lower)
37.	758754	Insulation, Door
38.	681196	Screw
40.	758718	Support, Front Panel
41.	681534	Thumbscrew
43.	758769	Grille, Front Panel
44.	758770	Filler Panel
45.	758771	Panel Inner
46.	758889	Panel, Exterior
47.	488661	Screw
48.	758901	Insert, Handle



MODEL 506 CABINET, DOOR & LINER (Prior to Serial #1181341)

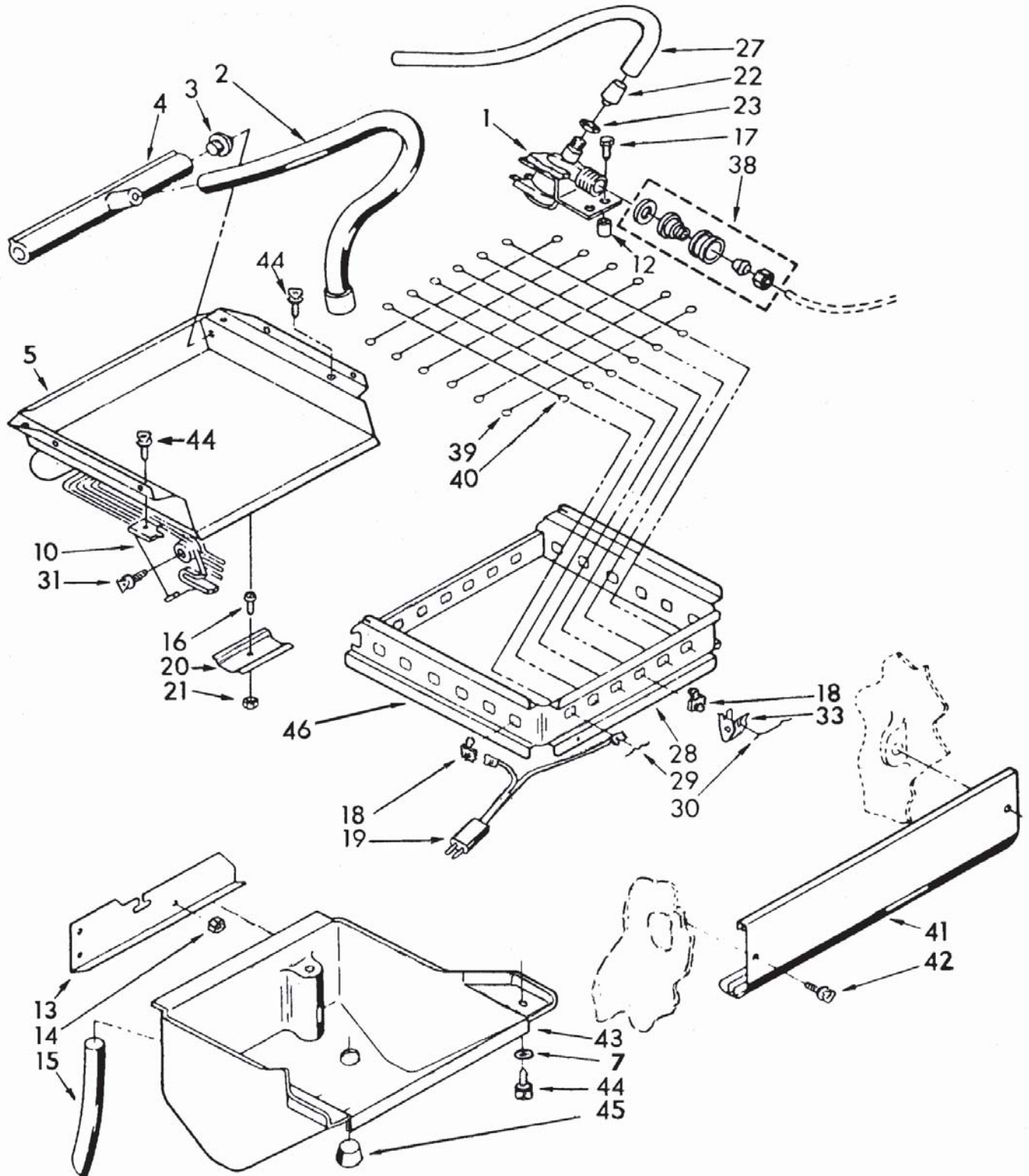


**MODEL 506 EVAPORATOR, CUTTER GRID & WATER SYSTEM PARTS LIST
(Prior to Serial #1181341)**

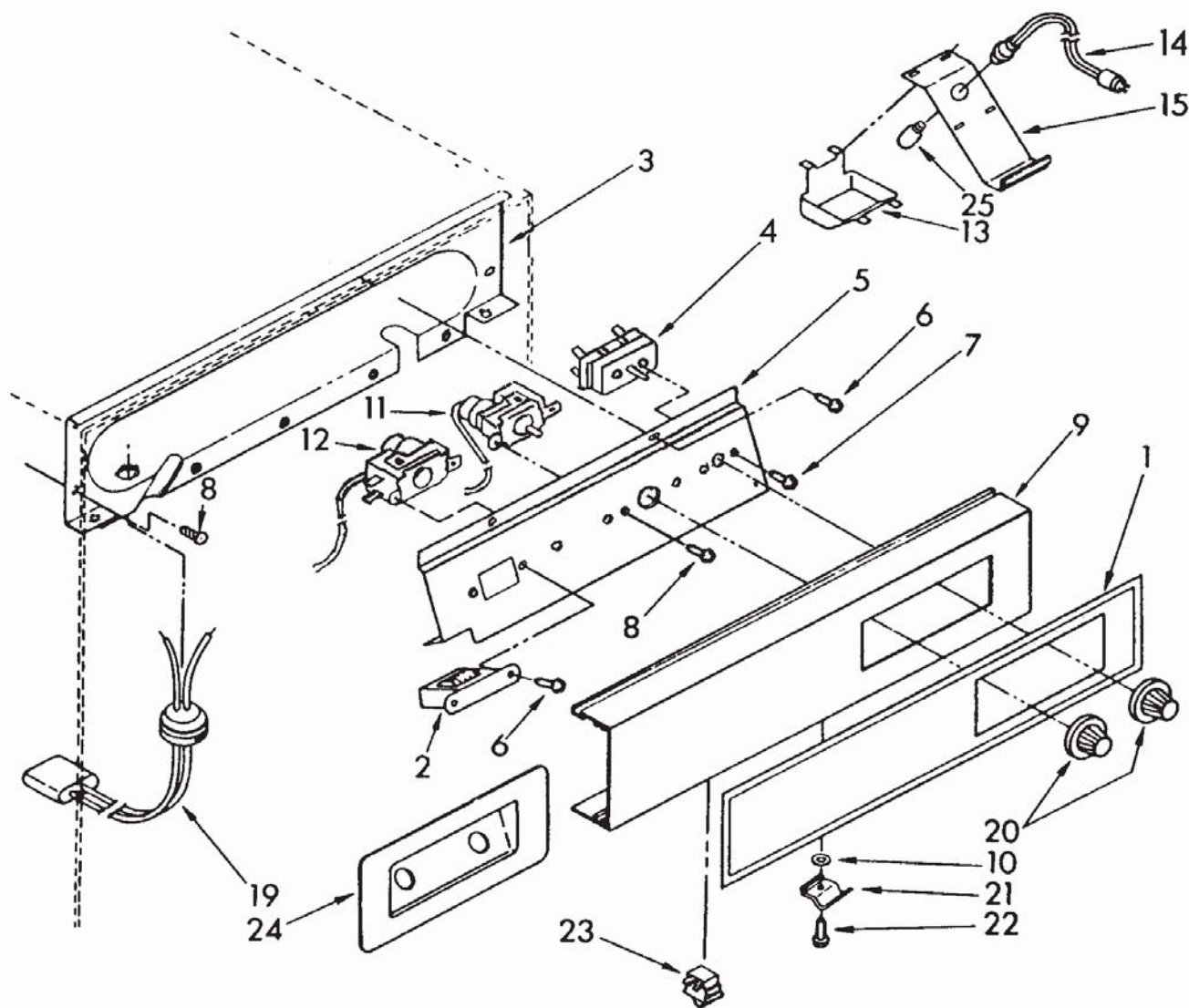
<u>Ref #</u>	<u>Part #</u>	<u>Description</u>
1.	757433	Water Valve, Complete
2.	585856	Tube, Plastic
3.	758597	Plug
4.	585813	Dispenser, Water
5.	758028	Evaporator
7.	681245	Washer
10.	756564	Mounting Bracket, Grid
12.	758737	Spacer
13.	585853	Shelf, Water Pan
14.	681365	Nut, Cap
15.	593369	Hose, Over flow
16.	596037	Screw, 10-32 x 1/2"
17.	681688	Screw, 1/4-20 x 1-3/4
18.	598277	Insulator
19.	587639	Plug, Grid
20.	564064	Clamp
21.	487836	Nut, Hex
22.	841707	Insert
23.	978047	Nut & Sleeve Assy
27.	1112556	Tube, Plastic
28.	N/A	Frame, Grid (not a serviceable part)
29.	278744	Pin
30.	278745	Pin
31.	681611	Thumbscrew
33.	759021	Clip, Tension
38.	533238	Adapter
39.	588048	Wire, Grid Cutter
40.	588109	Wire, Grid Cutter
41.	593171	Panel, Grid
42.	681534	Thumbscrew, 10-42 x 5/8"
43.	756659	Pan
44.	681534	Thumbscrew, 10 x 1/2"
45.	759043	Stopper, Water Pan
46.	4200970	Complete Grid Assy.



MODEL 506 EVAPORATOR, CUTTER GRID & WATER SYSTEM PARTS LIST
(Prior to Serial #1181341)



MODEL 506 ESCUTCHEON & CONTROL COMPONENTS WITH PARTS LIST
(Prior to Serial #1181341)

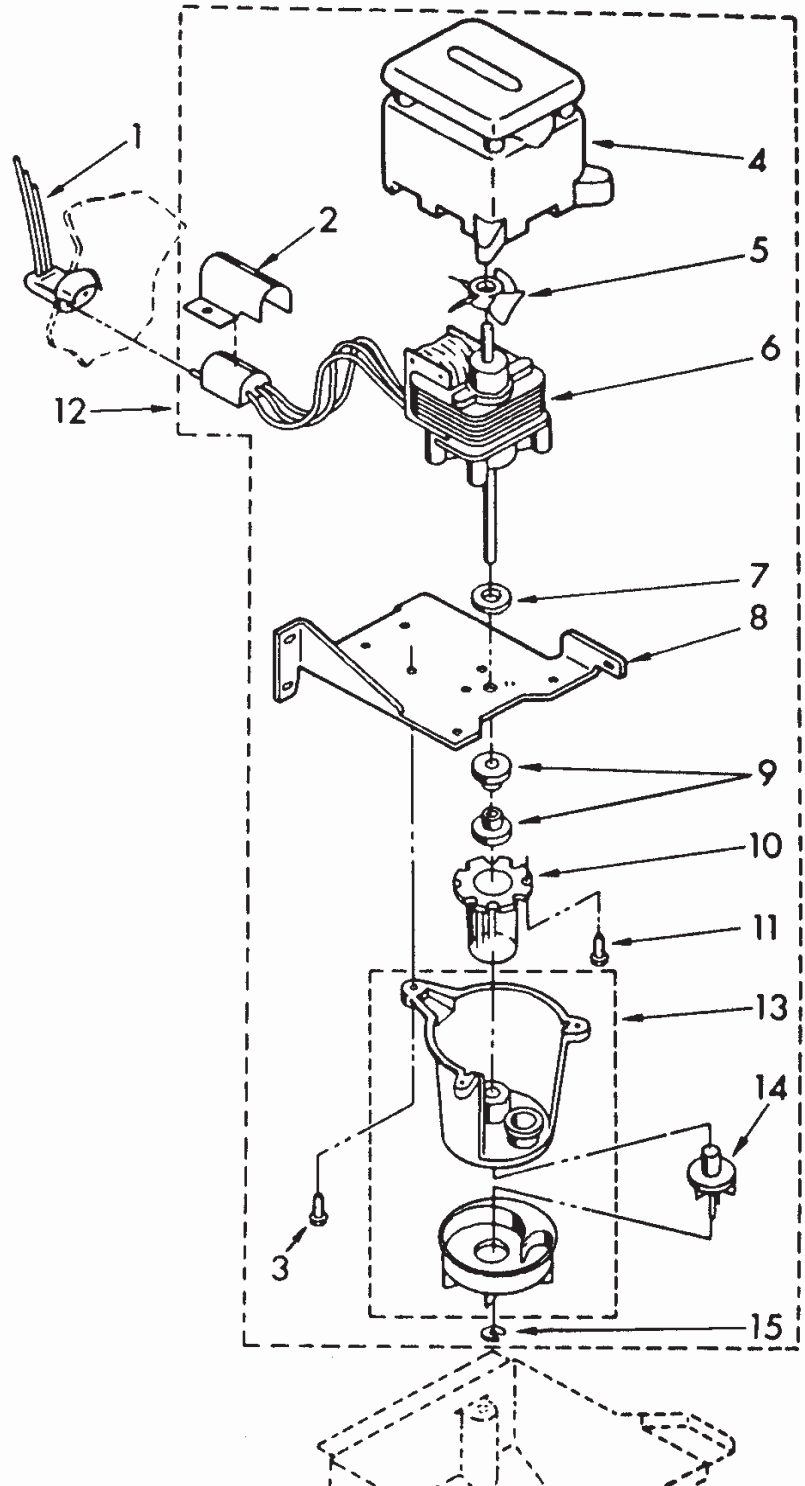


<u>Ref #</u>	<u>Part #</u>	<u>Description</u>
1.	758903	Decal, Escutcheon
2.	758414	Transformer
3.	756664	Escutcheon, Panel
4.	593139	Switch, Service
5.	756341	Bracket, Control
6.	965173	Screw, 8-15 x 3/8"
7.	486579	Screw, 8-42 x 1/4"
8.	488437	Screw
9.	759000	Escutcheon
10.	681245	Washer
11.	598235	Thermostat, Evaporator
12.	4318268	Thermostat, Bin Control

<u>Ref #</u>	<u>Part #</u>	<u>Description</u>
13.	758489	Lamp Shield
14.	758488	Light Harness
15.	758490	Lamp Bracket
19.	758567	Grid Harness
20.	756880	Knob
21.	759123	Latch
22.	487246	Screw, 8-42 x 1/2"
23.	1118894	Switch
24.	593736	Escutcheon Cup
25.	676304	Bulb



MODEL 506 WATER PUMP COMPONENTS WITH PARTS LIST
(Prior to Serial #1181341)



Ref #	Part #	Description
1.	569434	Pump Lead / Plug
2.	756124	Plug Cover
3.	681391	Screw
4.	583155	Motor Housing
5.	587096	Fan Blade
6.	588572	Pump Motor
7.	593060	Washer
8.	756122	Pump Bracket
9.	596016	Grommet
10.	593229	Sleeve
11.	681390	Screw, 8-42 x 3/8"
12.	756782	Complete Water Pump
13.	569607	Pump Housing
14.	569513	Impeller
15.	681301	Retainer Ring

**MODEL 506 UNIT AREA COMPONENTS PARTS LIST
(Prior to Serial #1181341)**

<u>Ref #</u>	<u>Part #</u>	<u>Description</u>
1.	757955	Shroud
3.	978655	Blade, Fan
4.	978483	Motor, Fan
5.	755339	Bracket
6.	680198	Screw, 1/4-20 x 1/2 (5)
7.	4387474	Compressor
8.	680233	Screw
9.	486645	Washer
10.	482739	Sleeve
11.	553583	Grommet
13.	938384	Clamp
14.	564234	Clamp, Coil Retainer
15.	588205	Coil, Solenoid
16.	598086	Valve Body
17.	819100	Overload / Relay
18.	3110140	Overload (For Service Comp AE3414A)
19.	549086	Spring
20.	3110170	Relay (For Service Comp AE3414A)
21.	549336	Case
22.	549342	Strap, Bale
23.	3014230	Filter-Drier, High Side
24.	756299	Condenser
25.	241428	Screw
26.	587971	Harness, Coil
27.	758811	Front Deflector
29.	488661	Screw
30.	2180938	Unit Base
31.	583663	Plug, Fan Motor
32.	681650	Conical Washer
33.	488868	Screw, 8-46 x 1/2
34.	1108115	Cover, Terminal
35.	819100	Overload / Relay
36.	756298	Accumulator

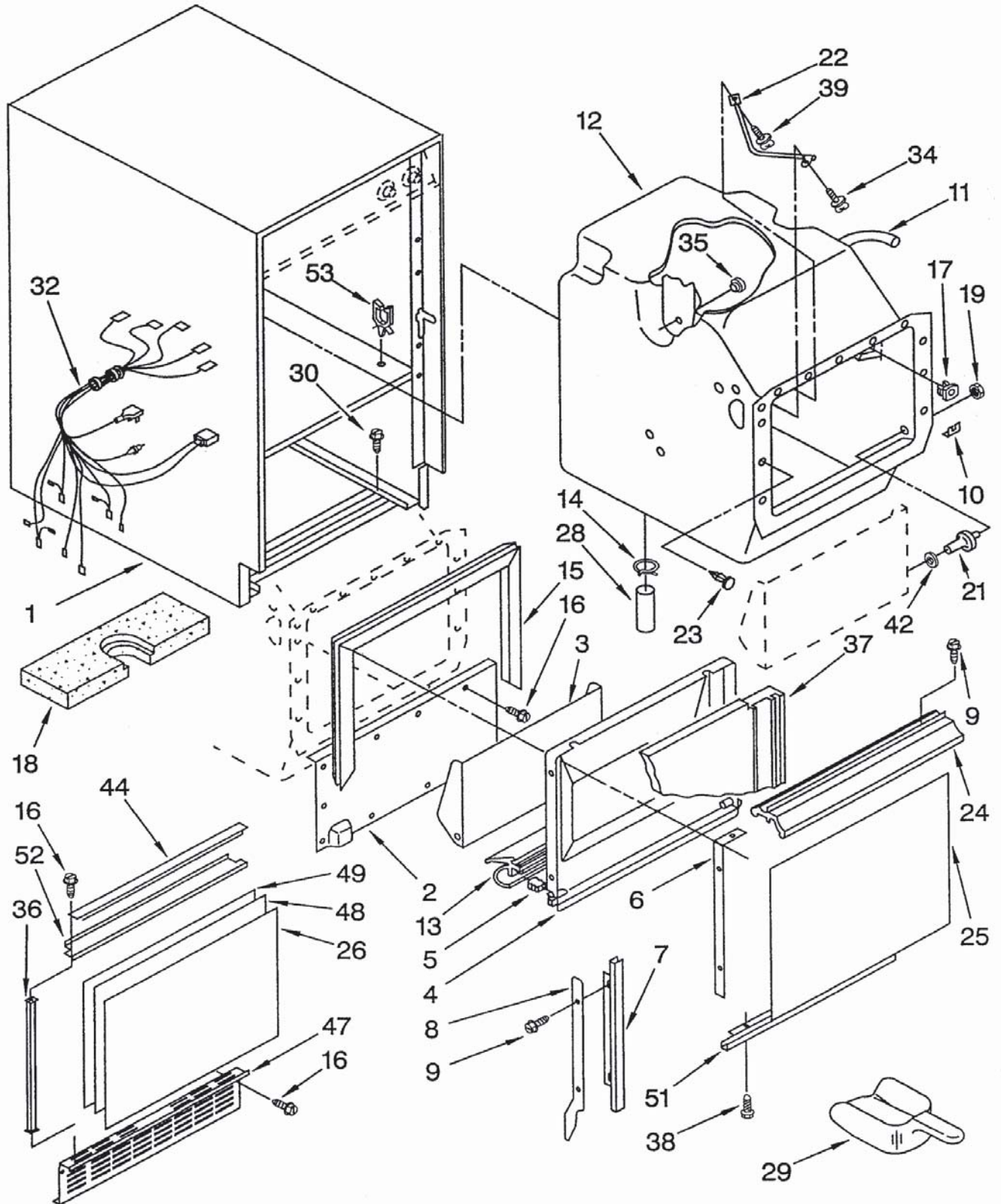


506 CABINET, LINER & DOOR PARTS LIST (Starting with Serial #1181341)

<u>Ref #</u>	<u>Part #</u>	<u>Description</u>	<u>Ref #</u>	<u>Part #</u>	<u>Description</u>
1	2175636	Shell	FOLLOWING PARTS NOT ILLUSTRATED ;		
2	2175619	Front, Shell	OPTIONAL PARTS NOT INCLUDED		
3	756330	Door, Inner Bin			
4	758655	Liner, Door	503695		Sealer, Cork (1/4 Pound)
5	593192	Plug, Hinge	797403		Cement, Insulation (1 Oz.)
6	593104	Strip, Tapping (2)	505587		Sealer, Mastic (1 Qt.)
7	755675	Trim, Door (Right Side)	212643		Sealer, Gum
	755676	Trim, Door (Left Side)			(22 Pcs. 3/16" x 7")
8	593184	Rail, Door (Right Side)	479976		Kit, Insulation
	593185	Rail, Door (Left Side)			(5 Pcs. 3" x 24" x 48")
9	681459	Screw, 8-32 x 5/8 (6)	978025		Valve, Access (1/4")
10	758492	Washer (2)	978026		Valve, Access (5/16")
11	759213	Tube, Water Fill	978027		Valve, Access (3/8")
12	756350	Liner (Includes No's. 10, 11, 17, 19, 21, & 35)	978028		Valve, Access (1/2")
			978029		Valve, Access (5/8")
13	2172898	Gasket, Bottom	978030		Valve, Access (3/4")
14	596023	Clamp (2)			
15	758921	Gasket			
16	487909	Screw #8 x 1/2			
17	596807	Grommet			
18	756891	Insulation, Bottom, Foam			
19	681542	Nut			
21	758220	Stud (2)			
22	593183	Well, Bin Thermostat			
23	596812	Clip, Panel (12)			
24	758902	Pull, Door			
25	758888	Panel, Exterior			
26	758889	Panel, Outer			
28	593577	connector, Hose			
29	585158	Scoop			
30	680811	Screw, 10-32 x 3/8			
32	2174781	Harness, Cabinet			
34	680930	Thumbscrew, #10-1/2			
35	596715	Well Nut (3)			
36	758713	Trim, Side (2)			
37	758754	Insulation, Door			
38	681196	Screw			
39	681419	Thumbscrew			
42	681613	Washer			
44	758716	Trim, Top and Bottom			
47	758769	Grill, Front			
48	758770	Panel, Filler			
49	758771	Panel, Inner			
51	755677	Trim, Door (Lower)			
52	2175604	Support, Front			
53	489482	Retainer, Wire			



MODEL 506 CABINET, DOOR & LINER (Starting with Serial #1181341)



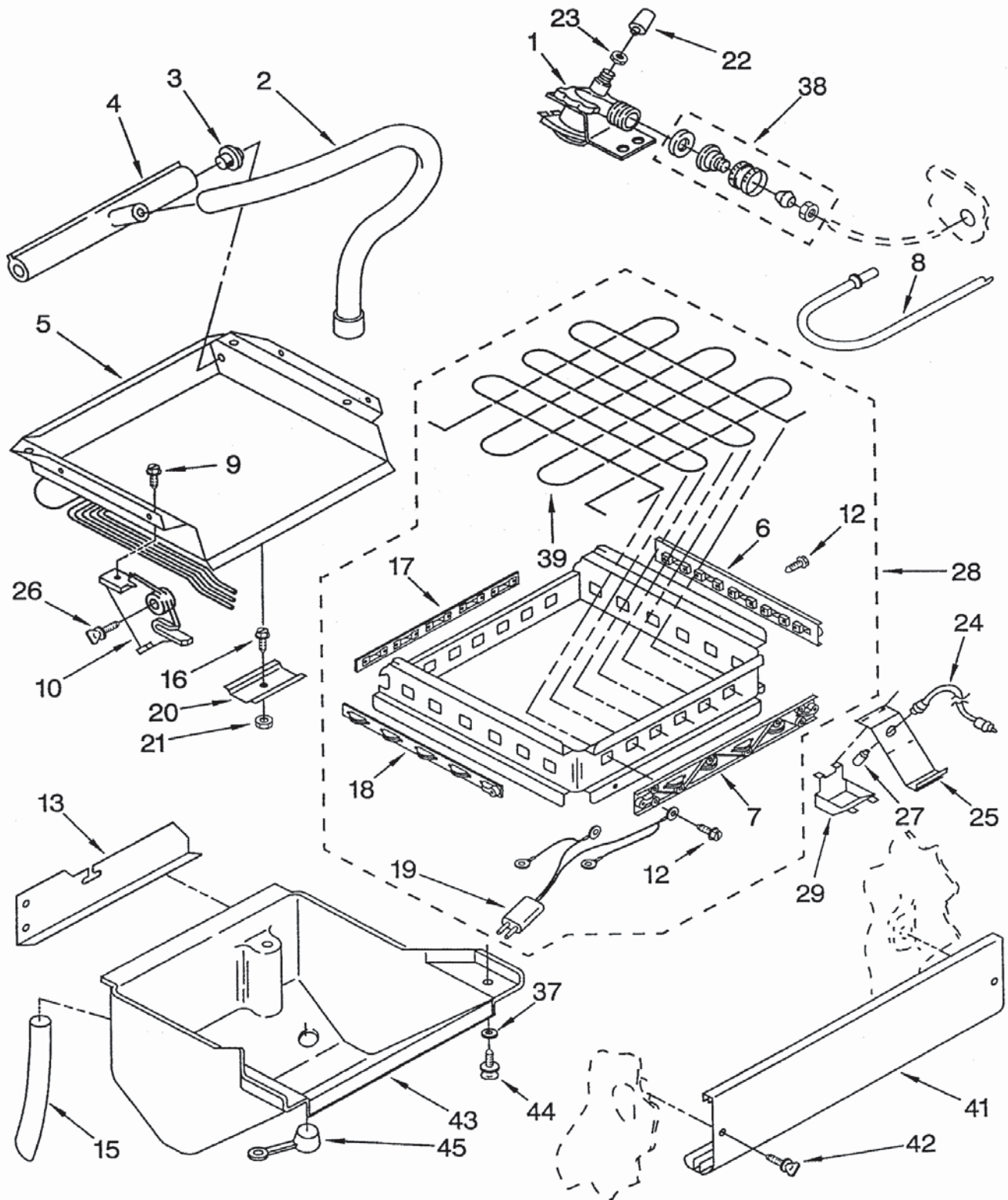


**MODEL 506 EVAPORATOR, CUTTER GRID & WATER SYSTEM PARTS LIST
(Starting with Serial #1181341)**

<u>Ref #</u>	<u>Part #</u>	<u>Description</u>
1.	759296	Water Valve, Complete
2.	585856	Tube, Plastic
3.	758597	Plug (2)
4.	1129798	Dispenser, Water
5.	2181203	Evaporator
6.	2174726	Spacer, Adjustable (Side)
7.	2174724	Spacer, Adjustable (Front)
8.	759213	Tube, Water Fill
9.	489049	Screw 10-12 x 1/2
10.	756564	Mounting Bracket, Grid (2)
12.	489443	Screw
13.	585853	Shelf, Water Pan
15.	759109	Hose, Overflow
16.	596037	Screw, 10-32 x 1/2"
17.	2174725	Spacer, Fixed (Rear)
18.	2174727	Spacer, Fixed (Side)
19.	2174750	Harness, Grid
20.	587662	Clamp
21.	681676	Nut, Wing
22.	841707	Insert
23.	627018	Nut & Sleeve Assembly
24.	758488	Harness, Light
25.	758490	Bracket, Lamp
26.	681611	Thumbscrew
27.	745362	Bulb
28.	2174752	Grid Assembly (Complete)
29.	758489	Shield, Light
37.	681245	Washer
38.	2165477	Adapter
39.	4200970	Wire, Grid Cutter
41.	593171	Panel, Grid
42.	681534	Thumbscrew, 10-32 x 5/8"
43.	756659	Pan
44.	681419	Thumbscrew, 10 x 1/2"
45.	759043	Stopper, Water Pan

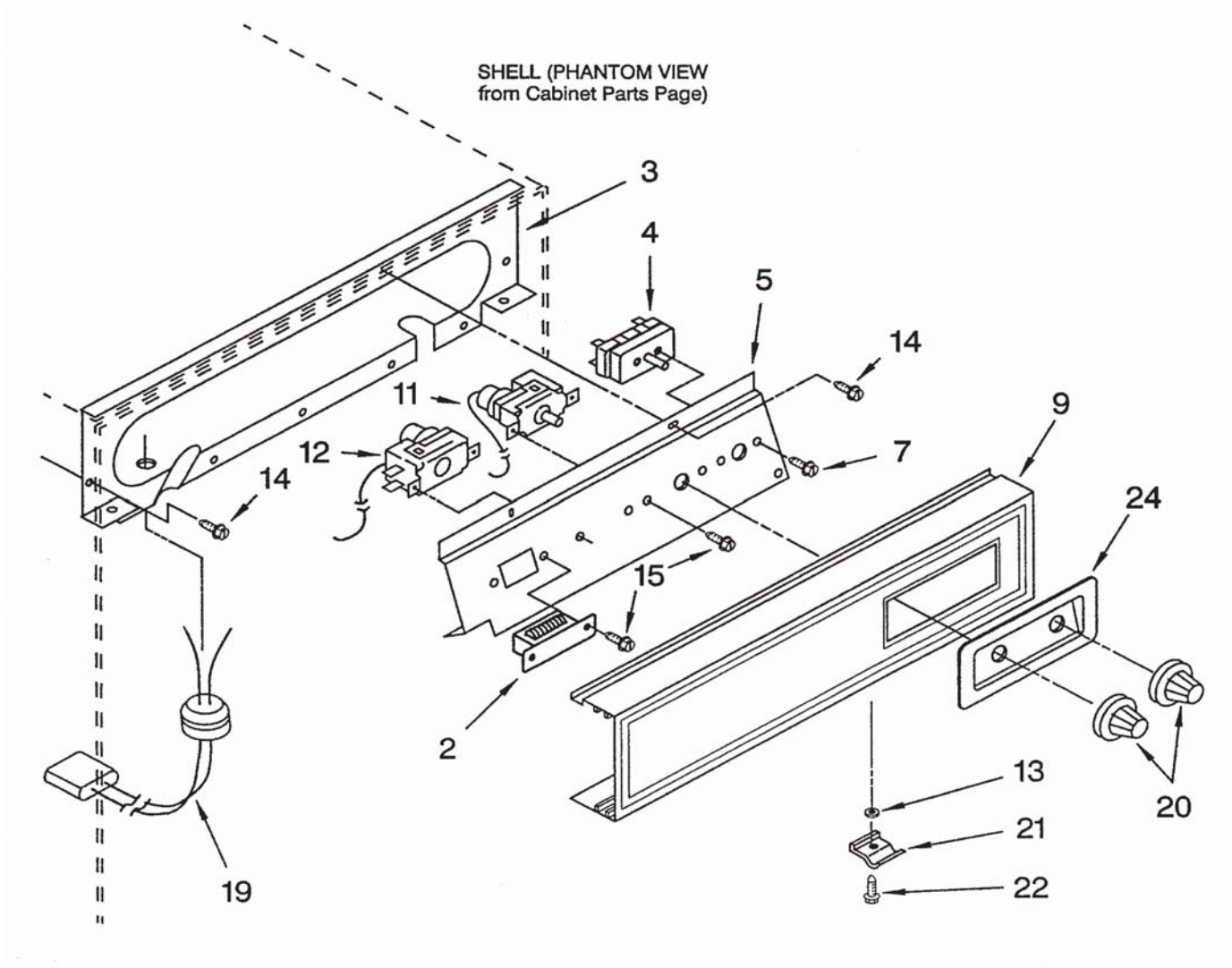


MODEL 506 EVAPORATOR, CUTTER GRID & WATER SYSTEM PARTS LIST
(Starting with Serial #1181341)





**MODEL 506 ESCUTCHEON & CONTROL COMPONENTS WITH PARTS LIST
(Starting with Serial #1181341)**

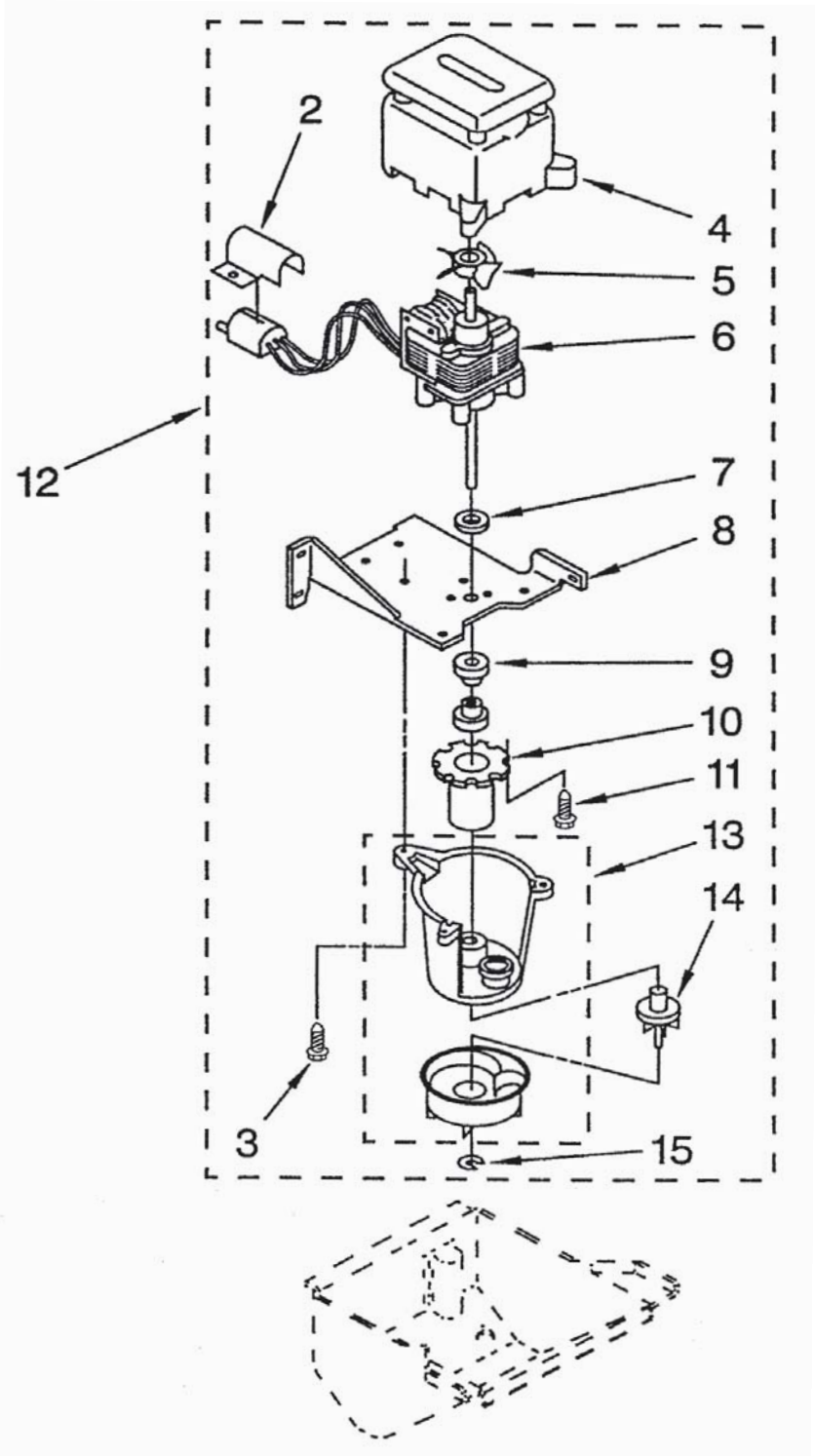


<u>Ref #</u>	<u>Part #</u>	<u>Description</u>	<u>Ref #</u>	<u>Part #</u>	<u>Description</u>
2.	2165483	Transformer	13.	681245	Washer
3.	2165530	Enclosure, Rear	14.	487909	Screw, #* x 1/2"
4.	2181045	Switch, Service	15.	681036	Screw
5.	2172846	Bracket, Control	19.	758567	Grid Harness
7.	595005	Screw, 8-32 x 1/4"	20.	756880	Knob
9.	759000	Escutcheon	21.	759123	Latch
11.	759308	Thermostat, Evaporator	22.	680964	Screw, 8-32 x 1/2"
12.	759309	Thermostat, Bin Control	24.	593736	Escutcheon Cup



MODEL 506 WATER PUMP COMPONENTS WITH PARTS LIST
(Starting with Serial #1181341)

Ref #	Part #	Description
2.	756124	Plug Cover
3.	681391	Screw, #8-18 x 3/4"
4.	583155	Motor Housing
5.	587096	Fan Blade
6.	588572	Pump Motor
7.	593060	Washer
8.	756122	Pump Bracket
9.	596016	Grommet (2)
10.	593229	Sleeve
11.	681390	Screw, 8-32 x 3/8"
12.	756782	Complete Water Pump
13.	569607	Pump Housing
14.	569513	Impeller
15.	681301	Retainer Ring

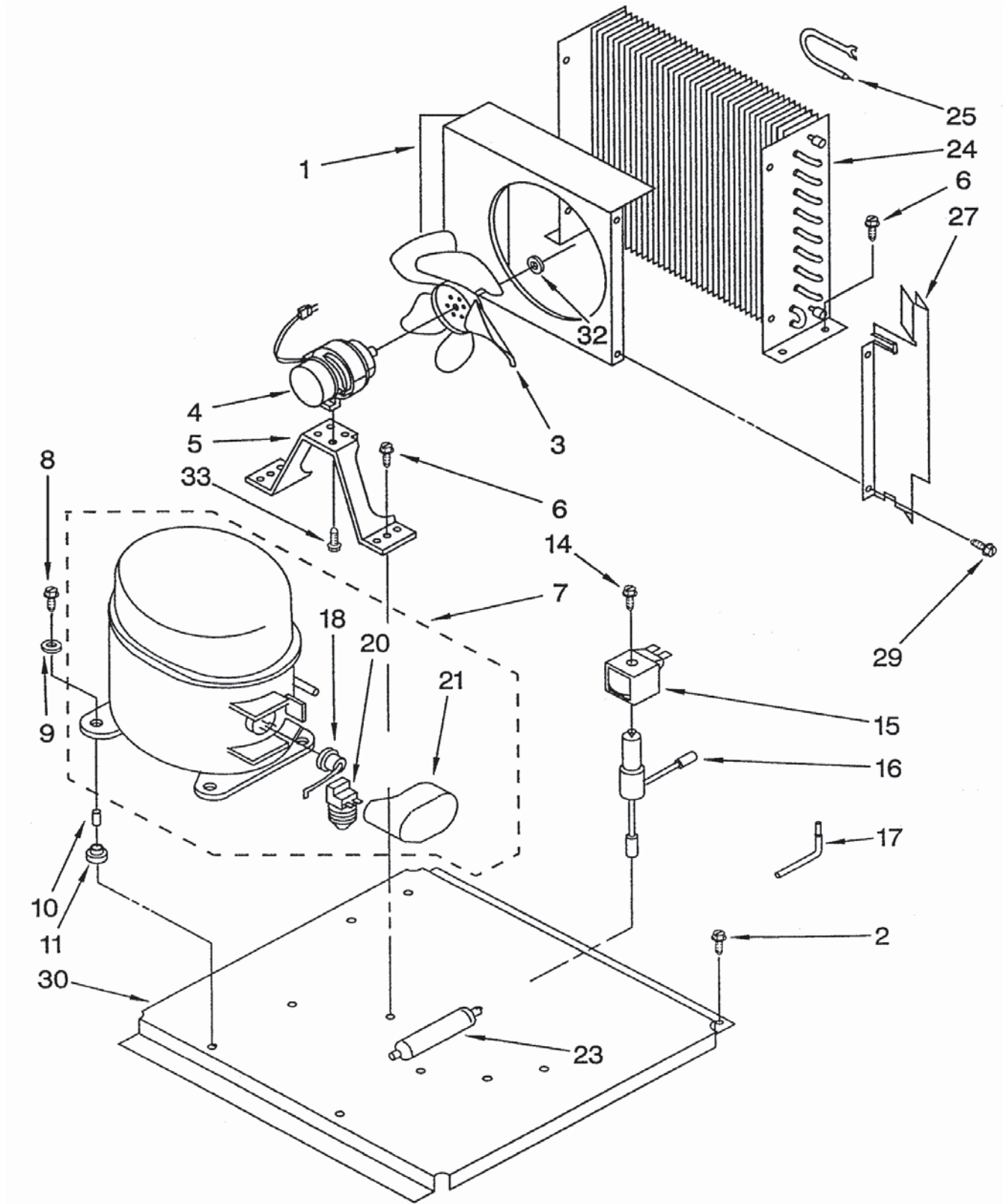


**MODEL 506 UNIT AREA COMPONENTS PARTS LIST
(Starting with Serial #1181341)**

<u>Ref #</u>	<u>Part #</u>	<u>Description</u>
1.	2180948	Shroud
2.	680811	Screw
3.	572728	Blade, Fan
4.	1108089	Motor, Fan
5.	560817	Bracket
6.	681305	Screw, 1/4-20 x 1/2" (6)
7.	4387773	Compressor (FGS60)
8.	680233	Screw (4)
9.	595230	Washer (4)
10.	585564	Sleeve (4)
11.	596355	Grommet (4)
14.	489472	Screw
15.	759112	Coil, Solenoid
16.	759113	Valve, Body
17.	2154109	Tube, Process
18.	4387766	Overload/Relay Assembly
20.	4387766	Overload/Relay Assembly
21.	2162358	Cover, Terminal
23.	4387019	Drier
24.	2180808	Condenser
25.	2180807	Accumulator
27.	758811	Deflector, Front
29.	681167	Screw, 8 x 3/8
30.	2180938	Base, Unit
32.	681650	Conical Washer
33.	489199	1/4-20 Hex Screw
34.	3111270	Capacitor (Not Shown)

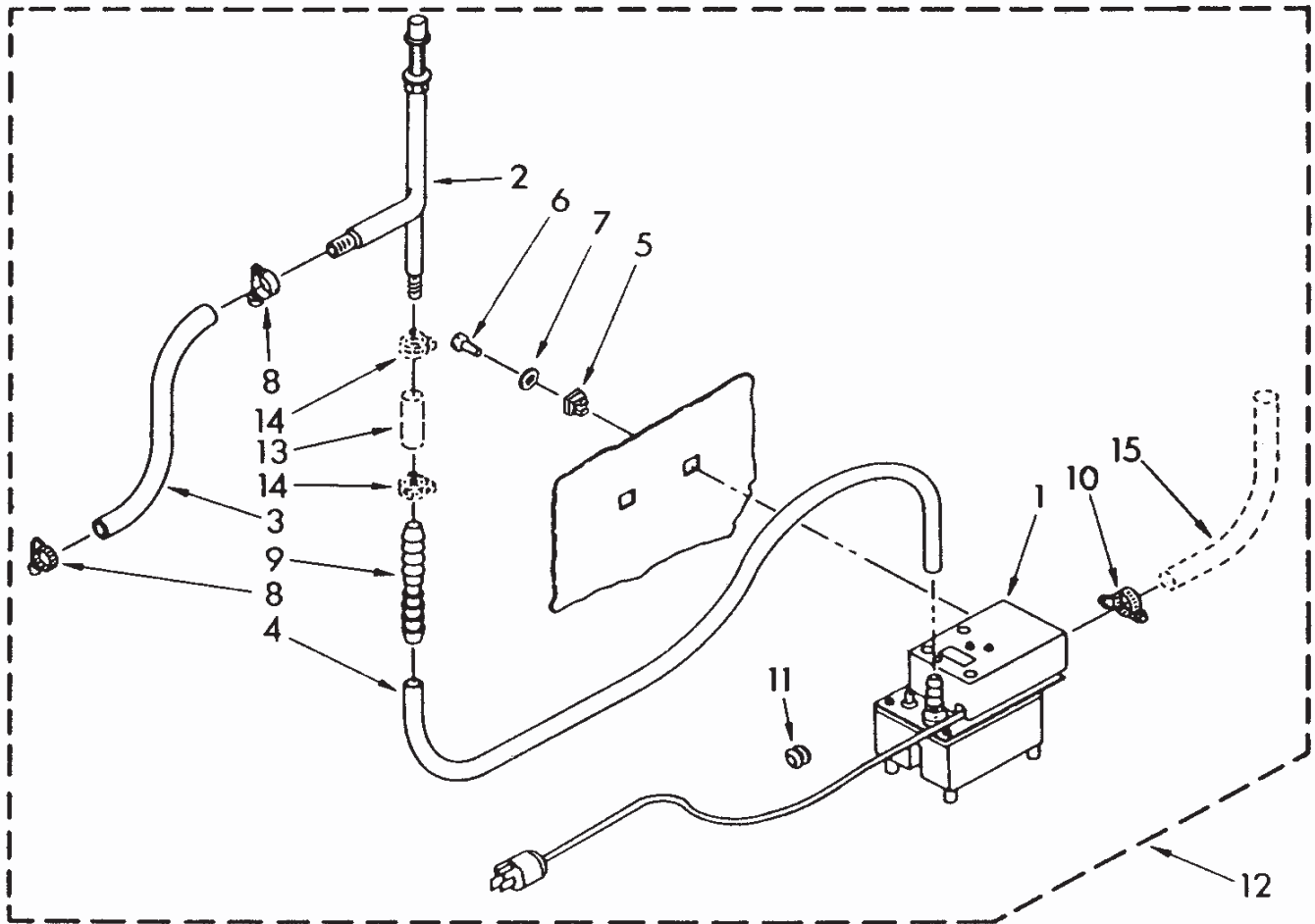


MODEL 506 UNIT AREA COMPONENTS WITH PARTS LIST
(Starting w/ Serial #1181341)





**MODEL 506 CONDENSATE DRAIN PUMP COMPONENTS WITH PARTS LIST
ALL MODELS**



<u>Ref #</u>	<u>Part #</u>	<u>Description</u>
1.	4165594	Service Sump Pump (Warrant Replacement Only)
2.	300096	Air Gap
3.	770966	Hose, 7/8" I.D. x 20"
4.	758915	Hose, 3/8" I.D. x 14-3/8"
5.	596807	Grommet
6.	488568	Screw, S.M. #8-15 x 3/4"
7.	681254	Washer
8.	596572	Hose Clamp
9.	758918	Connector, Hose

<u>Ref #</u>	<u>Part #</u>	<u>Description</u>
10.	65349	Hose Clamp
11.	758919	Bushing, Cord
12.	4165594	Service Sump Pump (Warrant Replacement Only)

FOLLOWING PARTS NOT SUPPLIED WITH PUMP

13.	598894	Hose Connector
14.	596023	Hose Clamp
15.	759019	Overflow Hose