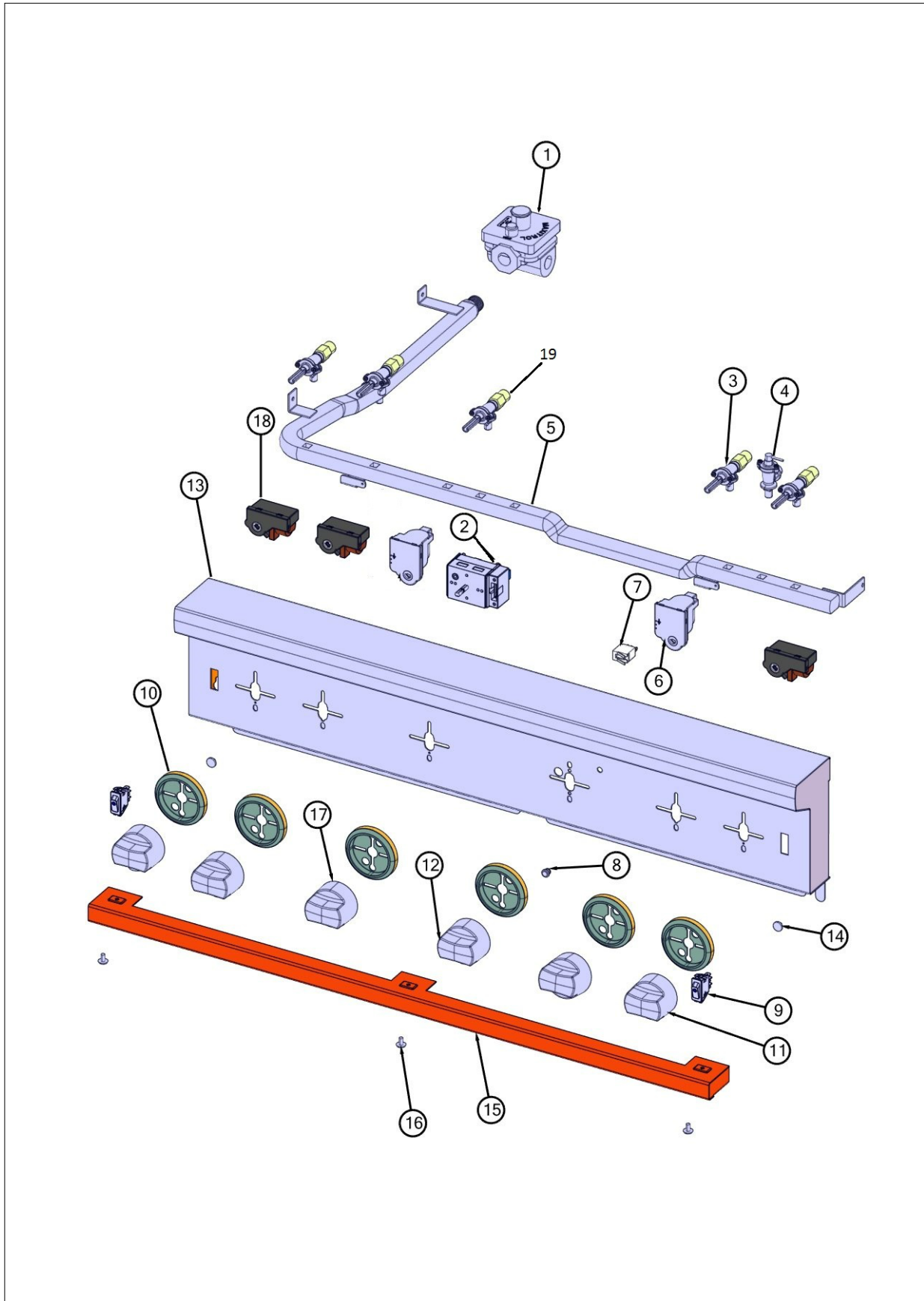


CVGCC5364QSS

CONTROL AREA	1
SURFACE COOKING AREA	2
CAVITY INTERIOR	3
OVEN ELECTRONICS	4
LOWER UNIT AND SIDE PANEL	5
REAR SHEET METAL	6
DOOR ASSEMBLY	7
WIRING	8
Appendix A:Pages Index	A
Appendix B:Parts Index	B

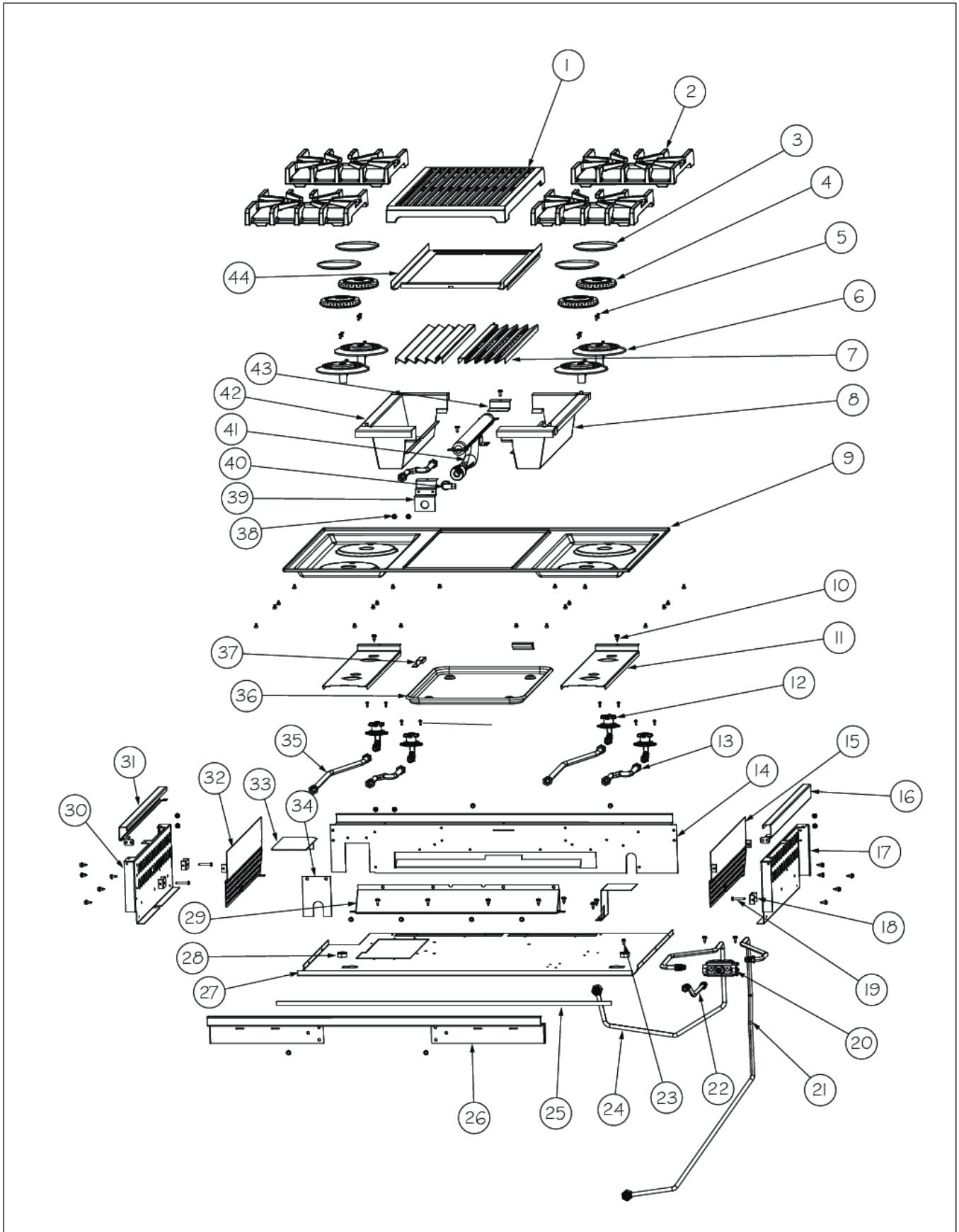
CONTROL AREA



Item	Part No.	Name	Qty	Uom	NOTES
1	PA070003	PRESSURE REGULATOR (NAT.)	1	EA	
1	013386-000	LP PRESSURE REGULATOR	1	EA	
2	013213-000	TSTAT, SMPS, ELEC, 2-POS, .91" SHAFT, CB	1	EA	
	NOTE	(BEFORE 01/15/15)			
2	056034-000	TSTAT, SMPS, ELEC, 2-POS	1	EA	
	NOTE	(ON OR AFTER 01/15/15)			
3	006313-000	VALVE,BRS,ASM,TOP,BURNER , FLRE,FTG, 5/8 - 18 UNF	4	EA	
4	007147-000	SHUT OFF VALVE	1	EA	
5	012265-000	MANIFOLD, GAS VGCC/SC536-6B/4Q	1	EA	
6	035795-000	MODULE, IGN, GAS,SNGL	2	EA	
7	PE050024	OVEN IND. LIGHT (LIGHT HOUSING)	1	EA	
	NOTE	(BEFORE 02/21/12)			
7	015170-000	HOUSING, LIGHT, BLUE NEON, 125V	1	EA	
	NOTE	(ON OR AFTER 02/21/12)			
8	PE050023	OVEN IND. LIGHT (LENS & BEZEL)	1	EA	NO LONGER AVAILABLE
	NOTE	(BEFORE 02/21/12)			
8	079905-000	INDICATOR, LIGHT, BLUE	1	EA	PART NO LONGER HAS BEZEL. REPLACE ALL IF ORIGINAL HAS BEZEL.
	NOTE	(ON OR AFTER 02/21/12)			
9	006355-000	SWITCH, RKR, BLK, CONVECTION, LIGHTED, VGCC	2	EA	
10	050172-000	BEZEL, KNOB	6	EA	
11	005269-000	RANGE TOP BURNER KNOB-BRUSHED, SSS	4	EA	NO LONGER AVAILABLE
	NOTE	(BEFORE 12/20/12)			
11	035881-000	KNOB, BNR, TOP PRO CR3	4	EA	
	NOTE	(ON OR AFTER 12/20/12)			
12	008416-000	KNOB, THERMOSTAT, #3 SSS, ASM, VGCC	1	EA	

Item	Part No.	Name	Qty	Uom	NOTES
	NOTE	(BEFORE 12/20/12)			
12	035891-000	KNOB,OVN,TSTAT, PRO VGCC CR3	1	EA	
	NOTE	(ON OR AFTER 12/20/12)			
13	042233-2108	PANEL, CONTROL VGSC536 - 4Q	1	EA	
14	PD040004	GROMMET BUMPER	2	EA	
15	011636-000	TRIM, FR	1	EA	
16	PD020032	SRW-8(A)X3/8"PH.WFR HD 7/16DIA*NICL	3	EA	
17	006574-000	KNOB, GRL, ASM, PVD, #3, SSS	1	EA	
	NOTE	(BEFORE 12/20/12)			
17	035885-000	KNOB,GRL,PRO CR3	1	EA	
	NOTE	(ON OR AFTER 12/20/12)			
18	035795-000	MODULE, IGN, GAS,SNGL	3	EA	
19	013583-000	VALVE, GRL, ASM, BRS, ISPHORDING	1	EA	

SURFACE COOKING AREA

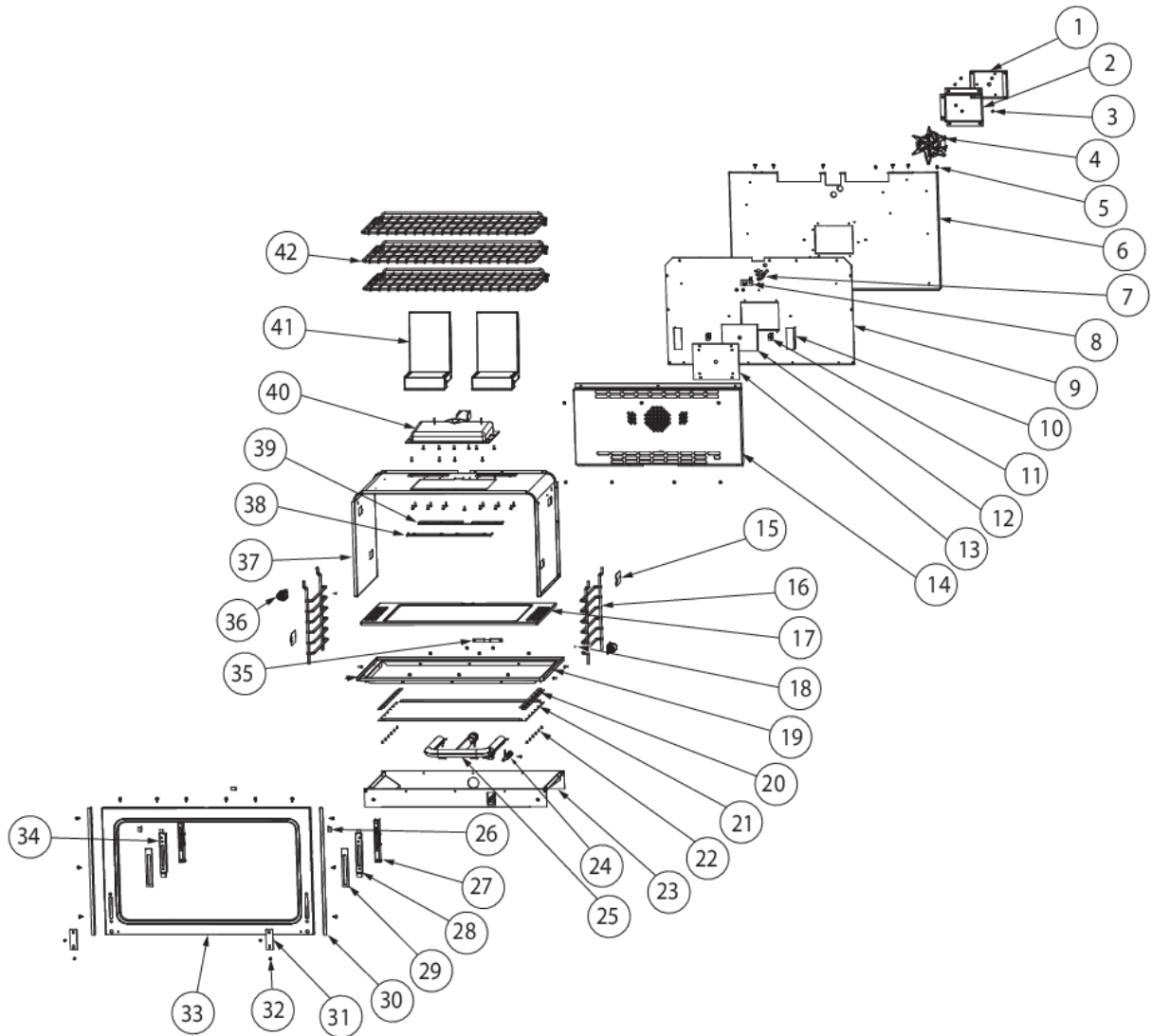


Item	Part No.	Name	Qty	Uom	NOTES
1	070074-000	GRATE, GRILL	1	EA	
2	007323-000	BURNER GRATE	4	EA	
	NOTE	(BEFORE 11/21/14)			
2	049420-000	GRATE, BURNER, ASM	4	EA	
	NOTE	(ON OR AFTER 11/21/14)			
NI	074892-000	RUBBER FOOT	16	EA	
	NOTE	(BEFORE 11/21/14)			
NI	049416-000	BUMBER, GRATE	16	EA	
	NOTE	(ON OR AFTER 11/21/14)			
3	066958-000	D BURNER CAP *MATTE BLACK*	4	EA	
4	067033-000	HEAD, BURNER, SEALED	4	EA	
5	PD020076	6-32 X 3/8" PHILL PAN MS	16	EA	
6	003322-041	SEALED BURNER BASE, PAINTED FINISH- GRAY	4	EA	
7	072628-402	GRID, FLAVOR - BK	2	EA	
8	083442-000	Drip pan assembly kit	1	each	
	NOTE	(BEFORE 04/17/2024)			
8	082938-402	WELD ASM, DRIP PAN, RH- BLACK ENAMEL	1	EA	
	NOTE	(ON OR AFTER 04/17/2024 OR IF KIT PREVIOUSLY INSTALLED)			
9	E9108438BK	MAIN TOP (VGRT4G/Q) *BK*	1	EA	
10	003860-000	10-18 x .500 FASTNR,SCR,HXWH,STL,ZPLT	35	EA	
11	002923-000	BURNER MODULE SUPPORT	2	EA	
12	066197-042	15000 BTU NAT JETHOLDER	4	EA	
12	001394-046	12.5 K BTU LP JETHOLDER	1	EA	
13	PB020192	10" FLEX TUBING W/CONNECTORS	3	EA	
14	008278-000	BURNER BOX BACK SUPPORT	1	EA	
15	010901-000	SHIELD, HEAT, GRIDDLE	1	EA	
16	002920-000	TOP TRIM RING, RH	1	EA	
17	011077-000	SHIELD, HEAT, GRIDDLE, RH	1	EA	
18	A2001361	BACK SPACER (VGSC/VGSS)	3	EA	

Item	Part No.	Name	Qty	Uom	NOTES
19	PD020079	#10 X 1 1/4 PH. PAN HD. T(A) NYLOK	3	EA	
20	009112-000	VALVE, SOL, DOUBLE	1	EA	
21	009053-000	BAKE TUBING, 36"	1	EA	
21	012654-000	TUBING, BAKE, 36" ASSY (LP)	1	EA	
22	011035-000	OVEN TUBING ASM	1	EA	
23	PD020010	10 X 3/8 GREEN GROUNDING SCREW	1	EA	
24	009055-000	BROIL TUBING, 36"	1	EA	
25	PB070058	Cooktop Gasket	1	EA	
26	008279-000	BURNER BOX FRONT SUPPORT	1	EA	
27	004579-000	TOP DIVIDER, 36"	1	EA	
28	PD040005	SNAP BUSHING - 7/8"	1	EA	
29	008283-000	BACK VENT, 36"	1	EA	
30	011078-000	PANEL, RNG, GRIDDLE, LF	1	EA	
31	003649-000	TOP TRIM RING, LH	1	EA	
32	010902-000	SHIELD, HEAT, GRIDDLE	1	EA	
33	004016-000	PLATE, SVCE, RGLT	1	EA	
34	006687-000	REGULATOR COVER PLATE	1	EA	
35	PB020193	16" FLEX TUBING W/CONNECTORS	1	EA	
36	J2101749	GREASE PAN	1	EA	
37	008286-000	BRACKET, DRIP, PAN, CUSTOM, Q-MODELS	2	EA	
38	PD020046	#8 X 1/2 SCREWS	4	EA	
39	007776-000	MOUNT, GRILL, BURNER, FRONT	1	EA	
40	PB040238	90 DEGREE ORIFICE FITTING, NAT #47	1	EA	
40	001983-000	90 DEGREE ORIFICE FITTING, LP #56	1	EA	NO LONGER AVAILABLE
41	007878-000	BURNER, GRIL, ASM	1	EA	
41	012460-000	GRIDDLE, BURNER, ASM, LP, W/IGNITOR BRACKET	1	EA	
NI	015357-000	IGNITOR, W/WIRE	1	EA	
42	083442-000	Drip pan assembly kit	1	each	

Item	Part No.	Name	Qty	Uom	NOTES
	NOTE	(BEFORE 04/17/2024)			
42	082940-402	WELD ASM, DRIP PAN, LH- BLACK ENAMEL	1	EA	
	NOTE	(ON OR AFTER 04/17/2024 OR IF KIT PREVIOUSLY INSTALLED)			
43	008636-000	BRACKET, BURNER, GRILL, REAR	1	EA	
44	012897-000	PLATE, SMK, GENERATOR, ASM	1	EA	NO LONGER AVAILABLE
NI	PB040027	IR BUR.SPUD ORF. - #56 LP	1	EA	
45	009197-000	#6-32 X 5/8 18-8 SS NC SOC CAP	8	EA	

CAVITY INTERIOR

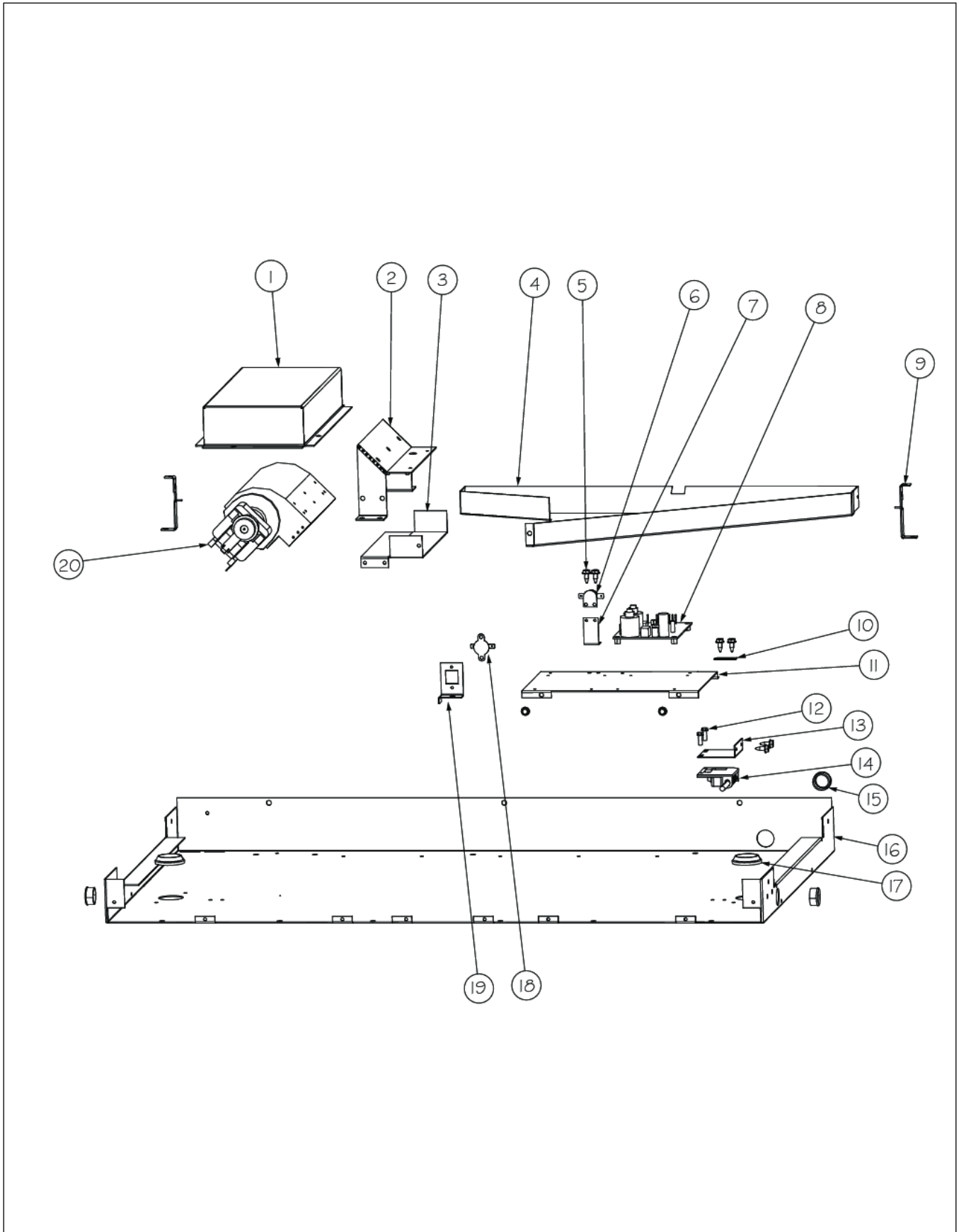


Item	Part No.	Name	Qty	Uom	NOTES
1	A2002595	CONVECTION FAN BOX (VDSC)	1	EA	
2	A2008467	INSULATION SHIELD	1	EA	
3	PD020060	10 X 1/2" (5/16)HEX WSHER HD.(T)A	52	EA	
4	PE050057	CONVECTION FAN (VGSC306)	1	EA	
	NOTE	(BEFORE 8/31/11)			
4	023090-000	MOTOR, CONV ASM	1	EA	
	NTOE	(BEFORE 01/02/13)		EA	
5	003860-000	10-18 x .500 FASTNR,SCR,HXWH,STL,ZPLT	19	EA	
6	007841-000	BACK INSULATION PANEL, 36"	1	EA	
7	PB040171	BROIL IGNITION ELECTRODE	1	EA	
8	007008-000	RTD PROBE	1	EA	
9	NON REPLACEABLE	BACK LINER 36"	N/A	EA	
10	E2004435	CONVECTION FAN BAFFLE (VGSC306)	2	EA	NO LONGER AVAILABLE, Not available online / Call for pricing and availability
11	A2001361	BACK SPACER (VGSC/VGSS)	2	EA	
12	PB070208	CONVECTION FAN INSULATION	1	EA	
13	A1002596	CONVECTION FAN COVER (VDSC)	1	EA	
14	G9105513	CONVECTION FAN COVER ASSY (VGSC366)	1	EA	NO LONGER AVAILABLE
	NOTE	(BEFORE 04/28/10)			
14	021225-403	COVER, CNVN, ASM, GY PORC	1	EA	
	NOTE	(BETWEEN 04/28/10 THRU 12/20/12)			
14	021225-402	COVER, CNVN, ASM, BK PORC	1	EA	
	NOTE	(ON OR AFTER 12/20/12)			
15	E91012614	LIGHT HOLE COVER	2	EA	
16	PB060030	RACK SUPT REPL PB060010	2	EA	
	NOTE	BEFORE 12/20/12			
16	066225-402	GUIDE, RACK, RH- BK	2	EA	
	NOTE	ON OR AFTER 12/20/12		EA	

Item	Part No.	Name	Qty	Uom	NOTES
17	068458-000	ASM, BOTTOM, CAVITY, OVEN, GAS 36" GRAY	1	EA	
	NOTE	(BEFORE 12/20/12)			
17	066210-000	ASM, BOTTOM, CABITY, OVEN, GAS, 36"	1	EA	
	NOTE	(ON OR AFTER 12/20/12)			
18	PD020067	#6 X 3/8" PAN PHIL. TEK *SS*	2	EA	
19	005264-000	BOTTOM LINER, 36"	1	EA	
20	E2004433	OVEN BOTTOM BRACE (VGSC306)	2	EA	NOT FIELD REPLACEABLE
21	A2005525	OVEN BOTTOM HEAT SHIELD	1	EA	
	NOTE	(COMES WITH ITEM 17)		EA	
22	PD020084	6-32 X 1/4 PAN PHIL TYPE F *SS*	12	EA	
	NOTE	(COMES WITH ITEM 17)		EA	
23	NON REPLACEABLE	OVEN, CAVITY, ASM, BOTTOM	N/A	EA	
24	PB040170	BAKE IGNITION ELECTRODE	1	EA	
25	008191-000	OVEN BURNER ASSY	1	EA	
25	009150-000	OVEN BURNER ASSY *LP*	1	EA	
26	006050-000	BRACKET, FR, FRONT	3	EA	
27	031679-000	RECEPTACLE, HINGE	2	EA	
28	E2109638	BRACKET, HINGE RECPT RH	1	EA	NOT FIELD REPLACEABLE, Not available online / Call for pricing and availability
29	007259-000	SHIM - NLA	2	EA	
30	005536-000	TRIM	2	EA	
31	007278-000	ARM HINGE CLIP	2	EA	
	NOTE	(BEFORE 01/02/13)			
31	049718-402	CLIP, RETAINER, HINGE, GLOSS BLACK ENAMEL	2	EA	
	NOTE	(AFTER 01/02/13)			
32	PD020232	#8 X 3/4" PH PAN HEAD TEK SCREW (BLACK OXIDE)	2	EA	
33	007844-000	FRONT FRAME, 36"	1	EA	
34	NON REPLACEABLE	BRACKET, HINGE RECPT LH	N/A	EA	

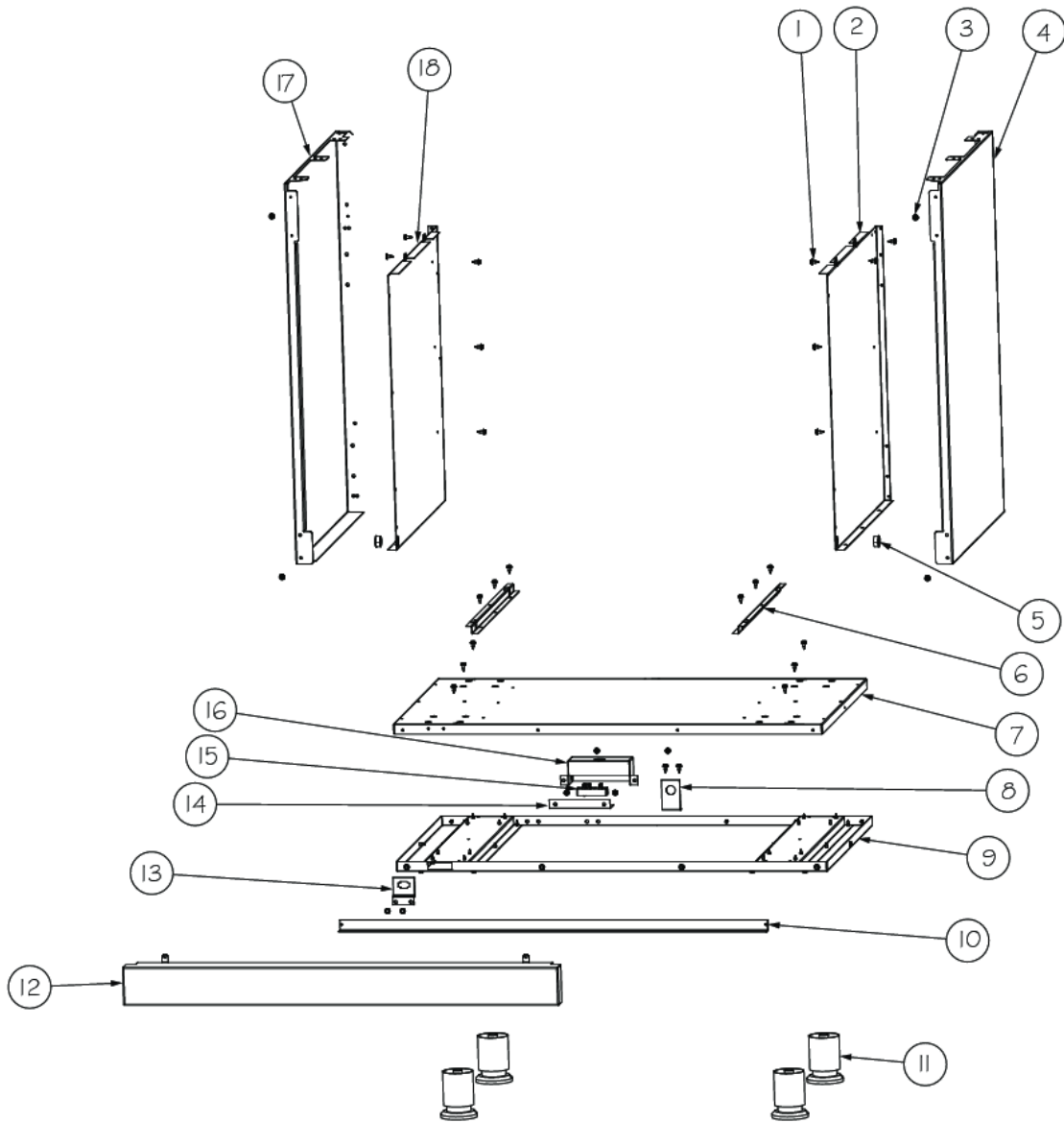
Item	Part No.	Name	Qty	Uom	NOTES
35	A2004428	REAR BOTTOM BRCKT (VGSC306)	1	EA	
	NOTE	(BEFORE 8/31/11)			
36	068653-601	LIGHT, 120V/25W, G9, HALOGEN, SIDE	2	EA	
37	NON REPLACEABLE	36" VGSC OVEN CAVITY	N/A	EA	
38	020409-000	BRACKET, SPRT, FR, I/R BROILER	1	EA	
39	B2005589	REAR BROILER BRACKET	1	EA	Not available online / Call for pricing and availability
40	085109-000	IR BROIL BURNER KIT	1	EA	
41	006192-000	VENT, ASM, OVEN ASSEMBLY	2	EA	
42	040865-000	RACK, PRO, 36"	1	EA	
42	040349-000	RACK, GLDE, 36", PRO ASSY	2	EA	
	NOTE	ON OR AFTER 12/20/12		EA	

OVEN ELECTRONICS



Item	Part No.	Name	Qty	Uom	NOTES
1	008747-000	FAN COVER	1	EA	NO LONGER AVAILABLE
2	012568-000	BRACKET, FAN	1	EA	
3	012569-000	BRACKET, LOWER FAN	1	EA	
4	012567-000	DUCT, FAN, 36"	1	EA	
5	003860-000	10-18 x .500 FASTNR,SCR,HXWH,STL,ZPLT	8	EA	
6	PJ030039	BI-METAL THERMOSTAT 275 DEGREES	1	EA	
7	A20014089	DISC BRACKET	1	EA	
8	PA020056	NLA - See TC-0063D-SP for kit number (see comments)	1	EA	
	NOTE	(BEFORE 12/01/10)		EA	
8	023651-000	DSI120-2-LVS	1	EA	
	NOTE	(ON OR AFTER 12/01/10)		EA	
9	009288-000	36" FAN BRACKET	2	EA	
10	008012-000	BOARD CLIP	1	EA	
11	012571-000	PLATE, CONTROL MTG	1	EA	
12	PD020060	10 X 1/2" (5/16)HEX WSHER HD.(T)A	2	EA	
13	A20012649	DOOR SWITCH BRACKET	1	EA	
14	PE050208	DOOR SWITCH	1	EA	
15	PD040005	SNAP BUSHING - 7/8"	3	EA	
16	007842-000	TOP CAP, 36"	1	EA	
17	PB070079	SILICONE EXTRUSION (DGSU)	2	EA	
18	PJ030022	BI-METAL THERMOSTAT, 115 DEGREES (FAN SWITCH)	1	EA	
19	012438-000	SWITCH, LIM, BRKT	1	EA	
20	PE050250	Blower	1	EA	

LOWER UNIT AND SIDE PANEL



Item	Part No.	Name	Qty	Uom	NOTES
1	003860-000	10-18 x .500 FASTNR,SCR,HXWH,STL,ZPLT	29	EA	
2	004479-000	INSULATION, PNL, SIDE, RH	1	EA	
3	003801-000	SHOULDER SCREW, #10	4	EA	
4	002905-000	SIDE PANEL, RH, SST	1	EA	
	NOTE	(BEFORE 04/29/13)		EA	
4	042666-000	COVER, OS, RH	1	EA	
	NOTE	(BETWEEN 04/29/13 - 02/15/16)		EA	
4	056873-000	PANEL, SIDE, RH	1	EA	
	NOTE	(ON OR AFTER 02/15/16)		EA	
4	004645-002	SIDE PANEL, RH ASSY, PAINTED BK	1	EA	
	NOTE	(BEFORE 06/03/13)		EA	
4	042679-002	COVER, OS, RH BK	1	EA	
	NOTE	(BETWEEN 06/03/13 - 02/15/16)		EA	
4	004645-003	SIDE PANEL, RH ASSY, PAINTED BT	1	EA	
	NOTE	(BEFORE 06/03/13)		EA	
4	042679-003	COVER, OS, RH BT	1	EA	
	NOTE	(BETWEEN 06/03/13 - 02/15/16)		EA	
4	004645-004	SIDE PANEL, RH ASSY, PAINTED SG	1	EA	
	NOTE	(BEFORE 06/03/13)		EA	
4	042679-004	COVER, OS, RH SG	1	EA	
	NOTE	(BETWEEN 06/03/13 - 02/15/16)		EA	
4	004645-005	SIDE PANEL, RH ASSY, PAINTED GG	1	EA	
	NOTE	(BEFORE 06/03/13)		EA	
4	042679-005	COVER, OS, RH GG	1	EA	
	NOTE	(BETWEEN 06/03/13 - 02/15/16)		EA	
4	004645-006	SIDE PANEL, RH ASSY, PAINTED WH	1	EA	
	NOTE	(BEFORE 06/03/13)		EA	
4	042679-006	COVER, OS, RH WH	1	EA	
	NOTE	(BETWEEN 06/03/13 - 02/15/16)		EA	

Item	Part No.	Name	Qty	Uom	NOTES
4	004645-008	SIDE PANEL, RH ASSY, PAINTED BU	1	EA	
	NOTE	(BEFORE 06/03/13)		EA	
4	042679-008	COVER, OS, RH BU	1	EA	
	NOTE	(BETWEEN 06/03/13 - 02/15/16)		EA	
4	004645-009	SIDE PANEL, RH ASSY, PAINTED LE	1	EA	
	NOTE	(BEFORE 06/03/13)		EA	
4	042679-009	COVER, OS, RH LE	1	EA	
	NOTE	(BETWEEN 06/03/13 - 02/15/16)		EA	
4	004645-010	SIDE PANEL, RH ASSY, PAINTED MJ	1	EA	
	NOTE	(BEFORE 06/03/13)		EA	
4	042679-010	COVER, OS, RH MJ	1	EA	
	NOTE	(BETWEEN 06/03/13 - 02/15/16)		EA	
4	004645-012	SIDE PANEL, RH ASSY, PAINTED VB	1	EA	
	NOTE	(BEFORE 06/03/13)		EA	
4	042679-012	COVER, OS, RH VB	1	EA	
	NOTE	(BETWEEN 06/03/13 - 02/15/16)		EA	
4	004645-013	SIDE PANEL, RH ASSY, PAINTED CB	1	EA	
	NOTE	(BEFORE 06/03/13)		EA	
4	042679-013	COVER, OS, RH CB	1	EA	
	NOTE	(BETWEEN 06/03/13 - 02/15/16)		EA	
4	004645-015	SIDE PANEL, RH ASSY, PAINTED PL	1	EA	
	NOTE	(BEFORE 06/03/13)		EA	
4	042679-015	COVER, OS, RH PL	1	EA	
	NOTE	(BETWEEN 06/03/13 - 02/15/16)		EA	
4	004645-016	SIDE PANEL, RH ASSY, PAINTED CH	1	EA	
	NOTE	(BEFORE 06/03/13)		EA	
4	042679-016	COVER, OS, RH CH	1	EA	
	NOTE	(BETWEEN 06/03/13 - 02/15/16)		EA	

Item	Part No.	Name	Qty	Uom	NOTES
4	004645-017	SIDE PANEL, RH ASSY, PAINTED TP	1	EA	
	NOTE	(BEFORE 06/03/13)		EA	
4	042679-017	COVER, OS, RH TP	1	EA	
	NOTE	(BETWEEN 06/03/13 - 02/15/16)		EA	
4	004645-018	SIDE PANEL, RH ASSY, PAINTED CW	1	EA	
	NOTE	(BEFORE 06/03/13)		EA	
4	042679-017	COVER, OS, RH TP	1	EA	
	NOTE	(BETWEEN 06/03/13 - 02/15/16)		EA	
4	004645-019	SIDE PANEL, RH ASSY, PAINTED OG	1	EA	
	NOTE	(BEFORE 06/03/13)		EA	
4	042679-019	COVER, OS, RH OG	1	EA	
	NOTE	(BETWEEN 06/03/13 - 02/15/16)		EA	
4	004645-020	SIDE PANEL, RH ASSY, PAINTED GM	1	EA	
	NOTE	(BEFORE 06/03/13)		EA	
4	042679-020	COVER, OS, RH GM	1	EA	
	NOTE	(BETWEEN 06/03/13 - 02/15/16)		EA	
4	004645-021	SIDE PANEL, RH ASSY, PAINTED SA	1	EA	
	NOTE	(BEFORE 06/03/13)		EA	
4	042679-021	COVER, OS, RH SA	1	EA	
	NOTE	(BETWEEN 06/03/13 - 02/15/16)		EA	
4	004645-022	SIDE PANEL, RH ASSY, PAINTED SE	1	EA	
	NOTE	(BEFORE 06/03/13)		EA	
4	042679-022	COVER, OS, RH SE	1	EA	
	NOTE	(BETWEEN 06/03/13 - 02/15/16)		EA	
4	004645-023	SIDE PANEL, RH ASSY, PAINTED IB	1	EA	
	NOTE	(BEFORE 06/03/13)		EA	
4	042679-023	COVER, OS, RG IB	1	EA	
	NOTE	(BETWEEN 06/03/13 - 02/15/16)		EA	

Item	Part No.	Name	Qty	Uom	NOTES
4	004645-024	SIDE PANEL, RH ASSY, PAINTED AR	1	EA	
	NOTE	(BEFORE 06/03/13)		EA	
4	042679-024	COVER, OS, RH AR	1	EA	
	NOTE	(BETWEEN 06/03/13 - 02/15/16)		EA	
4	004645-025	SIDE PANEL, RH ASSY, PAINTED RR	1	EA	
	NOTE	(BEFORE 06/03/13)		EA	
4	042679-025	COVER, OS, RH RR	1	EA	
	NOTE	(BETWEEN 06/03/13 - 02/15/16)		EA	
4	004645-026	SIDE PANEL, RH ASSY, PAINTED PM	1	EA	
	NOTE	(BEFORE 06/03/13)		EA	
4	042679-026	COVER, OS, RH PM	1	EA	
	NOTE	(BETWEEN 06/03/13 - 02/15/16)		EA	
4	004645-027	SIDE PANEL, RH ASSY, PAINTED MS	1	EA	
	NOTE	(BEFORE 06/03/13)		EA	
4	042679-027	COVER, OS, RH MS	1	EA	
	NOTE	(BETWEEN 06/03/13 - 02/15/16)		EA	
5	PD040005	SNAP BUSHING - 7/8"	2	EA	
6	A2004429	OVEN BOTTOM INSUL. BRACE (VGSC306)	2	EA	
7	020604-000	BASE, RANGE	1	EA	
8	005529-000	BAKE ORIFICE MOUNTING BRACKET	1	EA	
	NOTE	(BEFORE 2/11/13)			
8	040736-000	BRKT, ORF	1	EA	
	NOTE	(ON OR AFTER 2/11/13)			
9	007817-000	VGCC/SC BASE ASSEMBLY, 36"	1	EA	
10	008345-000	BOTTOM SUPPORT, 36"	1	EA	
11	044178-000	RANGE, LEG, ADJUSTABLE	4	EA	
12	007851-000	VGCC/SC 536 KICKPLATE SS	1	EA	NO LONGER AVAILABLE
	NOTE	(BEFORE 06/14/12)			

Item	Part No.	Name	Qty	Uom	NOTES
12	035958-000	KICKPLATE,36:á	1	EA	
	NOTE	(FROM 6/14/12 THRU 04/05/13)			
12	042287-000	KICKPLATE, GAS & DUAL FUEL, 36"	1	EA	
	NOTE	(ON OR AFTER 06/14/12			
12	011522-002	VGCC/SC 536 KICKPLATE - BK	1	EA	
	NOTE	(BEFORE 04/05/13)			
12	042323-002	KICKPLATE, GAS & DUAL FUEL, 36" BK	1	EA	
	NOTE	(ON OR AFTER 04/05/13)			
12	011522-003	VGCC/SC 536 KICKPLATE - BT	1	EA	Not available online / Call for pricing and availability
	NOTE	(BEFORE 04/05/13)			
12	042323-003	KICKPLATE 36" BT	1	EA	
	NOTE	(ON OR AFTER 04/05/13)			
12	011522-004	VGCC/SC 536 KICKPLATE - SG	1	EA	
	NOTE	(BEFORE 04/05/13)			
12	042323-004	KICKPLATE 36 SG	1	EA	Not available online / Call for pricing and availability
	NOTE	(ON OR AFTER 04/05/13)			
12	011522-005	VGCC/SC 536 KICKPLATE - GG	1	EA	
	NOTE	(BEFORE 04/05/13)			
12	042323-005	KICKPLATE, GAS & DUAL FUEL, 36" GG	1	EA	
	NOTE	(ON OR AFTER 04/05/13)			
12	011522-006	VGCC/SC 536 KICKPLATE - WH	1	EA	
	NOTE	(BEFORE 04/05/13)			
12	042323-006	KICKPLATE, GAS & DUAL FUEL, 36" WH	1	EA	
	NOTE	(ON OR AFTER 04/05/13)			
12	011522-008	VGCC/SC 536 KICKPLATE - BU	1	EA	
	NOTE	(BEFORE 04/05/13)			
12	042323-008	KICKPLATE, GAS & DUAL FUEL, 36" BU	1	EA	

Item	Part No.	Name	Qty	Uom	NOTES
	NOTE	(ON OR AFTER 04/05/13)			
12	011522-009	VGCC/SC 536 KICKPLATE - LE	1	EA	
	NOTE	(BEFORE 04/05/13)			
12	042323-009	KICKPLATE 36" LE	1	EA	
	NOTE	(ON OR AFTER 04/05/13)			
12	011522-010	VGCC/SC 536 KICKPLATE -MJ	1	EA	
	NOTE	(BEFORE 04/05/13)			
12	042323-010	KICKPLATE 36" MJ	1	EA	
	NOTE	(ON OR AFTER 04/05/13)			
12	011522-012	VGCC/SC 536 KICKPLATE - VB	1	EA	Not available online / Call for pricing and availability
	NOTE	(BEFORE 04/05/13)			
12	042323-012	KICKPLATE 36 VB	1	EA	Not available online / Call for pricing and availability
	NOTE	(ON OR AFTER 04/05/13)			
12	011522-013	VGCC/SC 536 KICKPLATE - CB	1	EA	
	NOTE	(BEFORE 04/05/13)			
12	042323-012	KICKPLATE 36 VB	1	EA	Not available online / Call for pricing and availability
	NOTE	(ON OR AFTER 04/05/13)			
12	011522-015	VGCC/SC 536 KICKPLATE - PL	1	EA	
	NOTE	(BEFORE 04/05/13)			
12	042323-015	KICKPLATE 36" PL	1	EA	
	NOTE	(ON OR AFTER 04/05/13)			
12	011522-016	VGCC/SC 536 KICKPLATE - CH	1	EA	
	NOTE	(BEFORE 04/05/13)			
12	042323-016	KICKPLATE 36" CH	1	EA	
	NOTE	(ON OR AFTER 04/05/13)			
12	011522-017	VGCC/SC 536 KICKPLATE - TP	1	EA	
	NOTE	(BEFORE 04/05/13)			
12	042323-017	KICKPLATE 36" TP	1	EA	

Item	Part No.	Name	Qty	Uom	NOTES
	NOTE	(ON OR AFTER 04/05/13)			
12	011522-018	VGCC/SC 536 KICKPLATE - CW NLA	1	EA	
	NOTE	(BEFORE 04/05/13)			
12	042323-018	KICKPLATE 36" CW	1	EA	
	NOTE	(ON OR AFTER 04/05/13)			
12	011522-019	VGCC/SC 536 KICKPLATE - OG	1	EA	
	NOTE	(BEFORE 04/05/13)			
12	042323-019	KICKPLATE 36" OG	1	EA	
	NOTE	(ON OR AFTER 04/05/13)			
12	011522-020	VGCC/SC 536 KICKPLATE - GM	1	EA	
	NOTE	(BEFORE 04/05/13)			
12	042323-020	KICKPLATE 36" GM	1	EA	
	NOTE	(ON OR AFTER 04/05/13)			
12	011522-021	VGCC/SC 536 KICKPLATE - SA	1	EA	
	NOTE	(BEFORE 04/05/13)			
12	042323-021	KICKPLATE 36" SA	1	EA	
	NOTE	(ON OR AFTER 04/05/13)			
12	011522-022	VGCC/SC 536 KICKPLATE - SE	1	EA	
	NOTE	(BEFORE 04/05/13)			
12	042323-022	KICKPLATE 36" SE	1	EA	
	NOTE	(ON OR AFTER 04/05/13)			
12	011522-023	VGCC/SC 536 KICKPLATE - IB	1	EA	
	NOTE	(BEFORE 04/05/13)			
12	042323-023	KICKPLATE 36" IB	1	EA	
	NOTE	(ON OR AFTER 04/05/13)			
12	011522-024	VGCC/SC 536 KICKPLATE - AR	1	EA	
	NOTE	(BEFORE 04/05/13)			
12	042323-024	KICKPLATE, GAS & DUAL FUEL, 36" AR	1	EA	
	NOTE	(ON OR AFTER 04/05/13)			
12	011522-025	VGCC/SC 536 KICKPLATE - RR	1	EA	
	NOTE	(BEFORE 04/05/13)			

Item	Part No.	Name	Qty	Uom	NOTES
12	042323-024	KICKPLATE, GAS & DUAL FUEL, 36" AR	1	EA	
	NOTE	(ON OR AFTER 04/05/13)			
12	011522-026	VGCC/SC 536 KICKPLATE - PM	1	EA	
	NOTE	(BEFORE 04/05/13)			
12	042323-026	KICKPLATE 36" PM	1	EA	
	NOTE	(ON OR AFTER 04/05/13)			
12	011522-051	VGCC/SC 536 KICKPLATE-CN	1	EA	
	NOTE	(BEFORE 04/05/13)			
12	042323-051	KICKPLATE 36 CN	1	EA	Not available online / Call for pricing and availability
	NOTE	(ON OR AFTER 04/05/13)			
12	011522-052	VGCC/SC 536 KICKPLATE-DJ	1	EA	Not available online / Call for pricing and availability
	NOTE	(BEFORE 04/05/13)			
12	042323-052	KICKPLATE 36 DJ	1	EA	Not available online / Call for pricing and availability
	NOTE	(ON OR AFTER 04/05/13)			
12	011522-053	VGCC/SC 536 KICKPLATE-KB	1	EA	
	NOTE	(BEFORE 04/05/13)			
12	042323-053	KICKPLATE 36" KB	1	EA	
	NOTE	(ON OR AFTER 04/05/13)			
12	011522-054	VGCC/SC 536 KICKPLATE-WS	1	EA	
	NOTE	(BEFORE 04/05/13)			
12	042323-054	KICKPLATE 36 WS	1	EA	Not available online / Call for pricing and availability
	NOTE	(ON OR AFTER 04/05/13)			
13	005280-000	DISCONNECT BRKT	1	EA	
14	007484-000	TERMINAL, BLOCK, BRACKET	1	EA	
15	007400-000	BLOCK, TERMINAL	1	EA	
16	031961-000	COVER, TERM. BLOCK	1	EA	

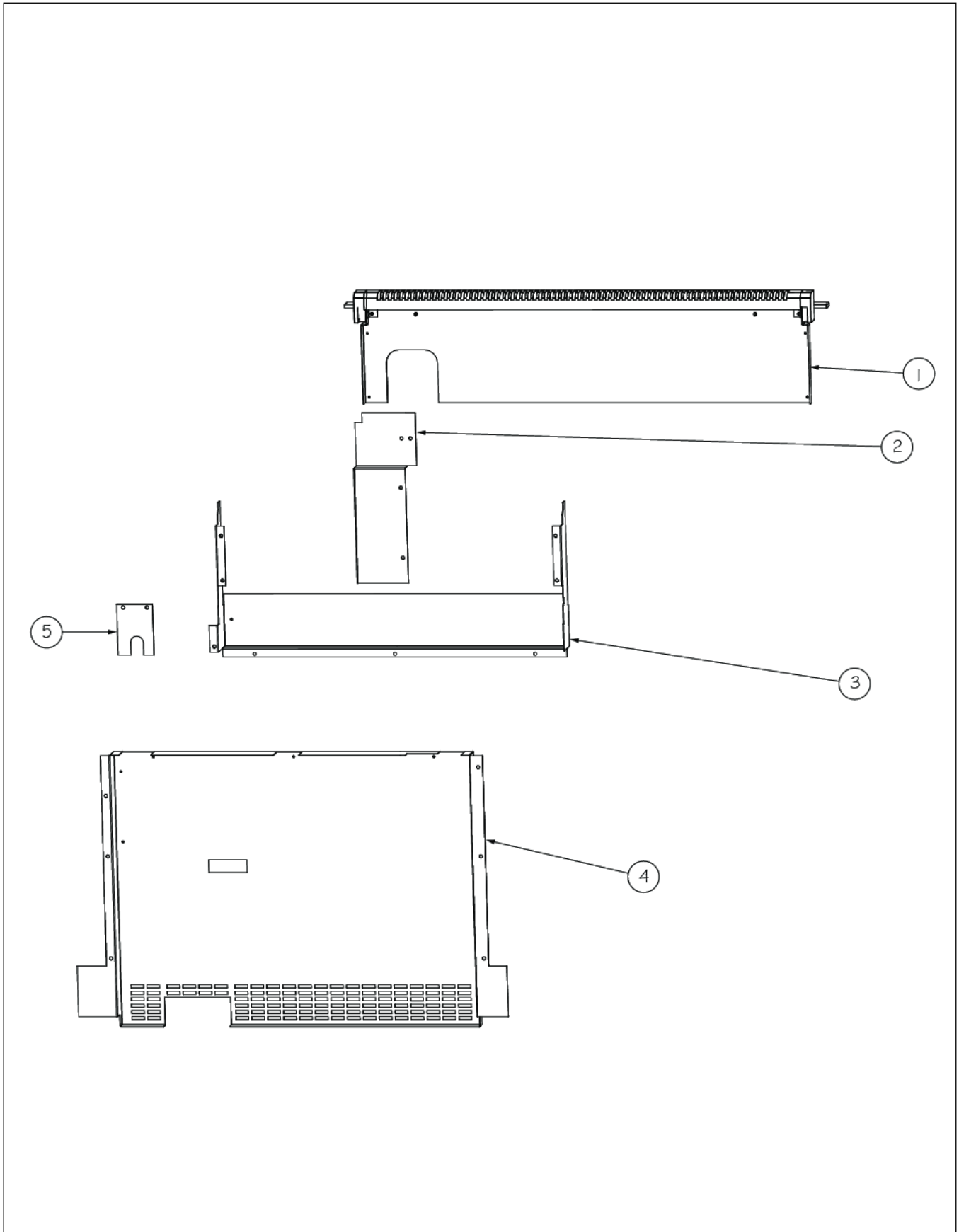
Item	Part No.	Name	Qty	Uom	NOTES
17	004482-000	INSULATION, PNL, SIDE, LH	1	EA	
18	003588-000	SIDE PANEL, LH, SS	1	EA	
	NOTE	(BEFORE 04/29/13)		EA	
18	042648-000	COVER, OS, LH	1	EA	
	NOTE	(BETWEEN 04/29/13 - 02/15/16)		EA	
18	056872-000	PANEL, SIDE, LH	1	EA	
	NOTE	(ON OR AFTER 02/15/16)		EA	
18	005505-002	PANEL, SIDE, DECARB, LH, BK	1	EA	
	NOTE	(BEFORE 06/03/13)		EA	
18	042678-002	COVER, OS, LH BK	1	EA	
	NOTE	(BETWEEN 06/03/13 - 02/15/16)		EA	
18	005505-003	SIDE PANEL, LH ASSY, PAINTED BT	1	EA	
	NOTE	(BEFORE 06/03/13)		EA	
18	042678-003	COVER, OS, LH BT	1	EA	
	NOTE	(BETWEEN 06/03/13 - 02/15/16)		EA	
18	005505-004	SIDE PANEL, LH ASSY, PAINTED SG	1	EA	
	NOTE	(BEFORE 06/03/13)		EA	
18	042678-004	COVER, OS, LH SG	1	EA	
	NOTE	(BETWEEN 06/03/13 - 02/15/16)		EA	
18	005505-005	PANEL, SIDE, DECARB, LH, GG	1	EA	
	NOTE	(BEFORE 06/03/13)		EA	
18	042678-005	COVER, OS, LH GG	1	EA	
	NOTE	(BETWEEN 06/03/13 - 02/15/16)		EA	
18	005505-006	PANEL, SIDE, DECARB, LH, WH	1	EA	NO LONGER AVAILABLE
	NOTE	(BEFORE 06/03/13)		EA	
18	042678-006	COVER, OS, LH WH	1	EA	
	NOTE	(BETWEEN 06/03/13 - 02/15/16)		EA	
18	005505-008	PANEL, SIDE, DECARB, LH, BU	1	EA	
	NOTE	(BEFORE 06/03/13)		EA	
18	042678-008	COVER, OS, LH BU	1	EA	
	NOTE	(BETWEEN 06/03/13 - 02/15/16)		EA	

Item	Part No.	Name	Qty	Uom	NOTES
18	005505-009	SIDE PANEL, LH ASSY, PAINTED LE	1	EA	
	NOTE	(BEFORE 06/03/13)		EA	
18	042678-009	COVER, OS, LH LE	1	EA	
	NOTE	(BETWEEN 06/03/13 - 02/15/16)		EA	
18	005505-010	SIDE PANEL, LH ASSY, PAINTED MJ	1	EA	
	NOTE	(BEFORE 06/03/13)		EA	
18	042678-010	COVER, OS, LH MJ	1	EA	
	NOTE	(BETWEEN 06/03/13 - 02/15/16)		EA	
18	005505-012	SIDE PANEL, LH ASSY, PAINTED VB	1	EA	
	NOTE	(BEFORE 06/03/13)		EA	
18	042678-012	COVER, OS, LH VB	1	EA	
	NOTE	(BETWEEN 06/03/13 - 02/15/16)		EA	
18	005505-013	PANEL, SIDE, DEARB, LH, CB	1	EA	
	NOTE	(BEFORE 06/03/13)		EA	
18	042678-013	COVER, OS, LH EP	1	EA	
	NOTE	(BETWEEN 06/03/13 - 02/15/16)		EA	
18	005505-015	SIDE PANEL, LH ASSY, PAINTED PL	1	EA	
	NOTE	(BEFORE 06/03/13)		EA	
18	042678-015	COVER, OS, LH PL	1	EA	
	NOTE	(BETWEEN 06/03/13 - 02/15/16)		EA	
18	005505-016	SIDE PANEL, LH ASSY, PAINTED CH	1	EA	
	NOTE	(BEFORE 06/03/13)		EA	
18	042678-016	COVER, OS, LH CH	1	EA	
	NOTE	(BETWEEN 06/03/13 - 02/15/16)		EA	
18	005505-017	SIDE PANEL, LH ASSY, PAINTED TP	1	EA	
	NOTE	(BEFORE 06/03/13)		EA	
18	042678-017	COVER, OS, LH TP	1	EA	
	NOTE	(BETWEEN 06/03/13 - 02/15/16)		EA	
18	005505-018	SIDE PANEL, LH ASSY, PAINTED CW	1	EA	

Item	Part No.	Name	Qty	Uom	NOTES
	NOTE	(BEFORE 06/03/13)		EA	
18	042678-018	COVER, OS, LH CW	1	EA	
	NOTE	(BETWEEN 06/03/13 - 02/15/16)		EA	
18	005505-019	SIDE PANEL, LH ASSY, PAINTED OG	1	EA	
	NOTE	(BEFORE 06/03/13)		EA	
18	042678-019	COVER, OS, LH OG	1	EA	
	NOTE	(BETWEEN 06/03/13 - 02/15/16)		EA	
18	005505-020	SIDE PANEL, LH ASSY, PAINTED GM	1	EA	
	NOTE	(BEFORE 06/03/13)		EA	
18	042678-020	COVER, OS, LH GM	1	EA	
	NOTE	(BETWEEN 06/03/13 - 02/15/16)		EA	
18	005505-021	SIDE PANEL, LH ASSY, PAINTED SA	1	EA	
	NOTE	(BEFORE 06/03/13)		EA	
18	042678-021	COVER, OS, LH SA	1	EA	
	NOTE	(BETWEEN 06/03/13 - 02/15/16)		EA	
18	005505-022	SIDE PANEL, LH ASSY, PAINTED SE	1	EA	
	NOTE	(BEFORE 06/03/13)		EA	
18	042678-022	COVER, OS, LH SE	1	EA	
	NOTE	(BETWEEN 06/03/13 - 02/15/16)		EA	
18	005505-023	SIDE PANEL, LH ASSY, PAINTED IB	1	EA	
	NOTE	(BEFORE 06/03/13)		EA	
18	042678-023	COVER, OS, LH IB	1	EA	
	NOTE	(BETWEEN 06/03/13 - 02/15/16)		EA	
18	005505-024	PANEL, SIDE, DECARB, LH, AR	1	EA	
	NOTE	(BEFORE 06/03/13)		EA	
18	042678-024	COVER, OS, LH AR	1	EA	
	NOTE	(BETWEEN 06/03/13 - 02/15/16)		EA	
18	005505-025	SIDE PANEL, LH ASSY, PAINTED RR	1	EA	
	NOTE	(BEFORE 06/03/13)		EA	

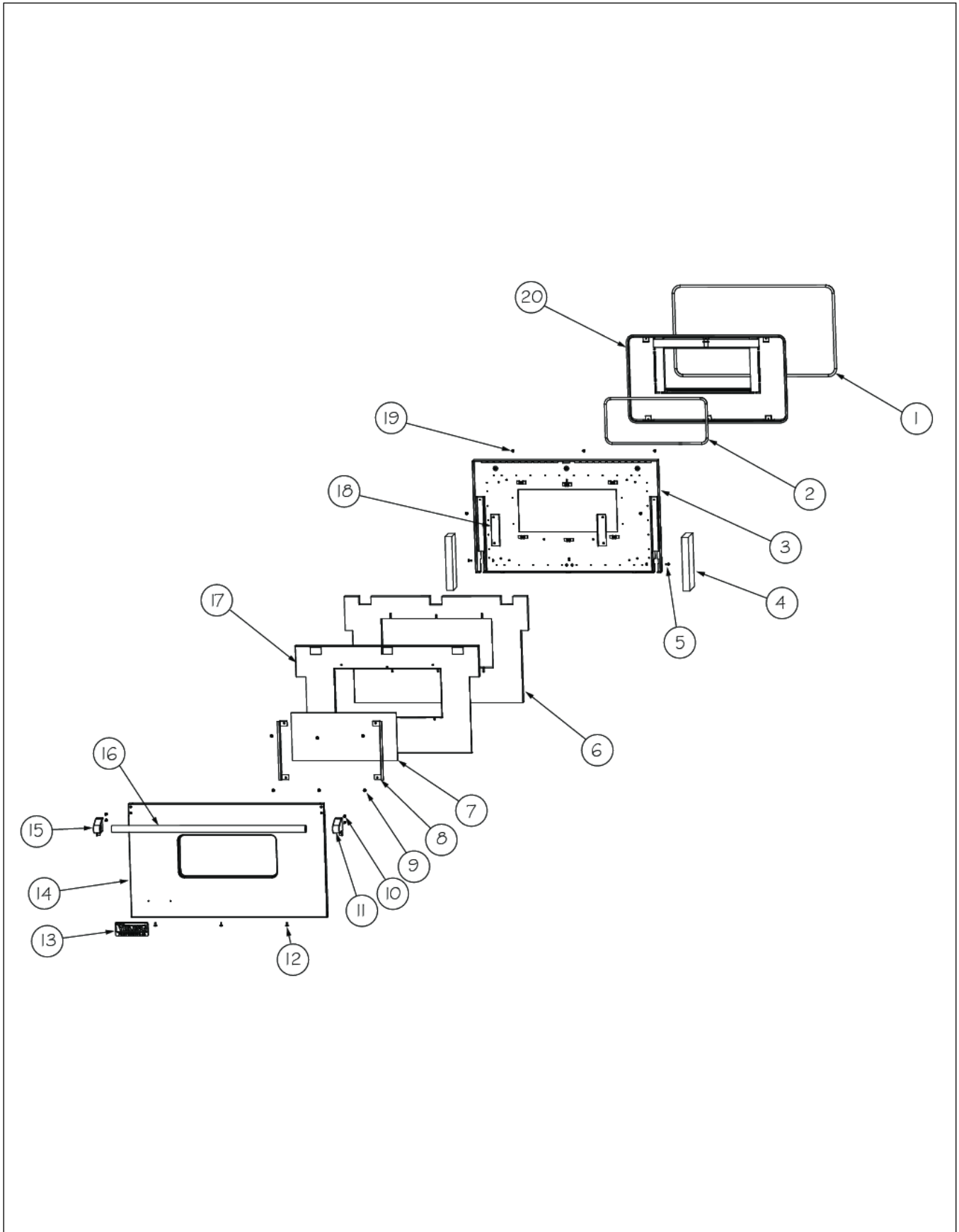
Item	Part No.	Name	Qty	Uom	NOTES
18	042678-025	COVER, OS, LH RR	1	EA	
	NOTE	(BETWEEN 06/03/13 - 02/15/16)		EA	
18	005505-026	SIDE PANEL, LH ASSY, PAINTED PM	1	EA	
	NOTE	(BEFORE 06/03/13)		EA	
18	042678-026	COVER, OS, LH PM	1	EA	
	NOTE	(BETWEEN 06/03/13 - 02/15/16)		EA	
18	005505-027	SIDE PANEL, LH ASSY, PAINTED MS	1	EA	
	NOTE	(BEFORE 06/03/13)		EA	
18	042678-027	COVER, OS, LH MS	1	EA	
	NOTE	(BETWEEN 06/03/13 - 02/15/16)		EA	

REAR SHEET METAL



Item	Part No.	Name	Qty	Uom	NOTES
1	041505-000	ISLAND TRIM, ASM, 36" CUSTOM	1	EA	
2	006962-000	COVER, INL, BACK	1	EA	
3	024722-000	COVER, BACK, TOP,36"	1	EA	
4	032138-000	COVER, REAR, 36" NON-SELF- CLEAN	1	EA	Not available online / Call for pricing and availability
5	006687-000	REGULATOR COVER PLATE	1	EA	
NI	A2002654	ANTI-TIP DEVICE (VDSC)	1	EA	
NI	034927-000	BRACKET, ANTI-TIP	1	EA	
NI	034928-000	BRACKET, HOOK, ANTI-TIP	1	EA	

DOOR ASSEMBLY



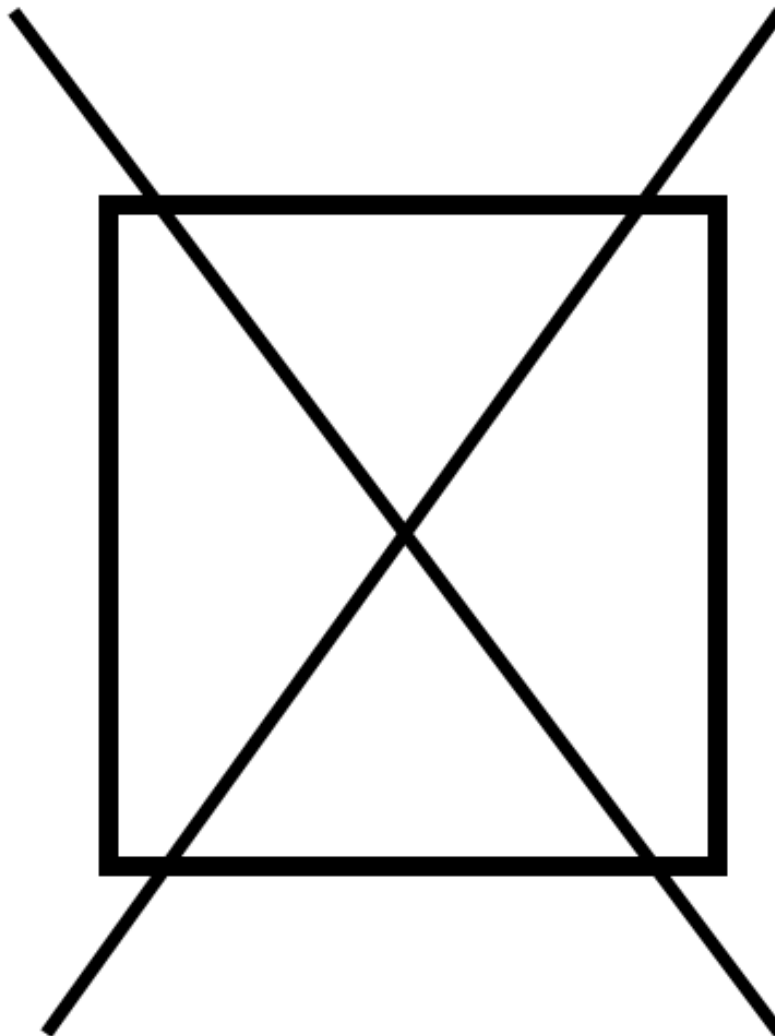
Item	Part No.	Name	Qty	Uom	NOTES
1	000090-000	36" DOOR GASKET	1	EA	
2	000594-000	BLACK FIBERGLASS ROPE	1	EA	
3	008154-000	36" DOOR LINER WELD ASM	1	EA	NO LONGER AVAILABLE
	NOTE	(BEFORE 12/20/12)			
3	008154-402	LINER,DOOR 36" WELD ASM, BK	1	EA	
	NOTE	(ON OR AFTER 12/20/12)			
NI	PE060039	GLASS-HEAT TREATED (HB2) VDSC	1	EA	
4	013290-000	HINGE, DOOR, VGCC36" - PINK SPRING	2	EA	
5	PD010003	10-24 X 1/2 PH.TR.HD.SERD.M.S.	2	EA	
6	007854-000	DOOR LINER INSULATION	1	EA	
7	PE060030	GLASS-OUTER DOOR BK SCREENED, TEMP	1	EA	
8	007583-000	BRACKET, GLASS	1	EA	
9	PD020014	10X3/4 PH TR HD SMS	6	EA	
10	030823-000	#10-32 PAN HEAD PHILLIPS MACHINE SCREW	4	EA	
11	003012-000	DOOR HANDLE ENDCAP ASSY, RH (CHROME)	1	EA	
11	003012-100	DOOR HANDLE ENDCAP ASSY, RH (BRASS) - NLA	1	EA	
12	PD020033	SRW-#10-24X1/2"(23)PH.WFR HD (NKL)	3	EA	
13	PE010030	LOGO 6" (VGRC) *BK*	1	EA	
13	PE010068	6" LOGO (VIKING/PROF) BK/BR	1	EA	
14	074321-000	PANEL, DOOR, ASM, OTR - SS	1	EA	
14	074329-002	PANEL, DOOR, ASM, OTR - BK	1	EA	
14	074329-005	PANEL, DOOR, ASM, OTR - GG	1	EA	
14	074329-006	PANEL, DOOR, ASM, OTR - WH	1	EA	
14	074329-008	PANEL, DOOR, ASM, OTR - BU	1	EA	
14	074329-013	PANEL, DOOR, ASM, OTR - CB	1	EA	
14	074329-024	PANEL, DOOR, ASM, OTR - AR	1	EA	
15	003011-000	DOOR HANDLE ENDCAP ASSY, LH (CHROME)	1	EA	

Item	Part No.	Name	Qty	Uom	NOTES
15	003011-100	DOOR HANDLE ENDCAP ASSY, LH (BRASS)	1	EA	
16	006080-000	36" DOOR HANDLE, 35.5	1	EA	
17	007883-000	RETAINER LINER, 36"	1	EA	
18	A2002189	DOOR GLASS STANDOFF (VDSC)	2	EA	
19	PD020063	SCREW-#8(A) X 3/8"PH WFR HD/BK OXID	4	EA	
20	008165-000	DOOR PLUG ASSY, 36"	1	EA	
	NOTE	(BEFORE 12/20/12)			
20	008165-402	Door Plug Assy, BK	1	EA	
	NOTE	(ON OR AFTER 12/20/12)			
NI	008164-000	VGCC DOOR ASSY, 36"	1	EA	NO LONGER AVAILABLE
NI	011524-002	COMPLETE DOOR ASM - BK	1	EA	Not available online / Call for pricing and availability
NI	011524-003	COMPLETE DOOR ASM - BT	1	EA	
NI	011524-004	COMPLETE DOOR ASM - SG	1	EA	NO LONGER AVAILABLE
NI	011524-005	COMPLETE DOOR ASM - GG	1	EA	
NI	011524-006	COMPLETE DOOR ASM - WH	1	EA	
NI	011524-007	COMPLETE DOOR ASM - AL	1	EA	
NI	011524-008	COMPLETE DOOR ASM - BU	1	EA	
NI	011524-009	COMPLETE DOOR ASM - LE	1	EA	
NI	011524-010	COMPLETE DOOR ASM - MJ	1	EA	
NI	011524-011	COMPLETE DOOR ASM - FG	1	EA	
NI	011524-012	COMPLETE DOOR ASM - VB	1	EA	
NI	011524-013	COMPLETE DOOR ASM - CB	1	EA	
NI	011524-014	COMPLETE DOOR ASM - EP	1	EA	
NI	011524-015	COMPLETE DOOR ASM - PL	1	EA	
NI	011524-016	COMPLETE DOOR ASM - CH	1	EA	
NI	011524-017	COMPLETE DOOR ASM - TP	1	EA	
NI	011524-018	COMPLETE DOOR ASM - CW NLA	1	EA	
NI	011524-019	COMPLETE DOOR ASM - OG	1	EA	

Item	Part No.	Name	Qty	Uom	NOTES
NI	011524-020	COMPLETE DOOR ASM - GM	1	EA	
NI	011524-021	COMPLETE DOOR ASM - SA	1	EA	Not available online / Call for pricing and availability
NI	011524-022	COMPLETE DOOR ASM - SE	1	EA	
NI	011524-023	COMPLETE DOOR ASM - IB	1	EA	
NI	011524-024	COMPLETE DOOR ASM - AR	1	EA	
NI	011524-025	COMPLETE DOOR ASM - RR	1	EA	
NI	011524-026	COMPLETE DOOR ASM - PM	1	EA	
NI	011524-027	COMPLETE DOOR ASM - MS	1	EA	

WIRING

NON
ILLUSTRATED PART



Item	Part No.	Name	Qty	Uom	NOTES
NI	001134-000	IRIS HARNESS INSULATED CAP	1	EA	
NI	023750-000	CORD, SUPPLY	1	EA	
NI	024605-000	WIRE, BRL, ELECTRODE, ASM	1	EA	
NI	024606-000	WIRE, BAKE, ELECTRODE, ASM	1	EA	
NI	025990-000	HARNESS, WIRE, VGCC536-6B	1	EA	
NI	023340-000	IRIS HARNESS, 36"	1	EA	
NI	035604-000	VGCC536 SERVICE DISCONNECT KIT	1	EA	
NI	043833-000	36" SPILL GUTTER KIT 1	1	EA	
	NOTE	(FOR UNITS MANUFACTURED BEFORE 1/3/13)		EA	
NI	000647-000	IRIS IGNITOR WIRE, FRONT BURNER	2	EA	
NI	006766-000	IRIS IGNITOR WIRE, BACK BURNER	2	EA	
NI	015357-000	IGNITOR, W/WIRE	1	EA	



Appendix A:Pages Index

CAVITY INTERIOR 3
CONTROL AREA 1
DOOR ASSEMBLY 7
LOWER UNIT AND SIDE PANEL 5
OVEN ELECTRONICS 4
REAR SHEET METAL 6
SURFACE COOKING AREA 2
WIRING 8



Appendix B:Parts Index

000090-000	7	004645-023	5
000594-000	7	004645-024	5
000647-000	8	004645-025	5
001134-000	8	004645-026	5
001394-046	2	004645-027	5
001983-000	2	005264-000	3
002905-000	5	005269-000	1
002920-000	2	005280-000	5
002923-000	2	005505-002	5
003011-000	7	005505-003	5
003011-100	7	005505-004	5
003012-000	7	005505-005	5
003012-100	7	005505-006	5
003322-041	2	005505-008	5
003588-000	5	005505-009	5
003649-000	2	005505-010	5
003801-000	5	005505-012	5
003860-000	2, 3, 4, 5	005505-013	5
004016-000	2	005505-015	5
004479-000	5	005505-016	5
004482-000	5	005505-017	5
004579-000	2	005505-018	5
004645-002	5	005505-019	5
004645-003	5	005505-020	5
004645-004	5	005505-021	5
004645-005	5	005505-022	5
004645-006	5	005505-023	5
004645-008	5	005505-024	5
004645-009	5	005505-025	5
004645-010	5	005505-026	5
004645-012	5	005505-027	5
004645-013	5	005529-000	5
004645-015	5	005536-000	3
004645-016	5	006050-000	3
004645-017	5	006080-000	7
004645-018	5	006192-000	3
004645-019	5	006313-000	1
004645-020	5	006355-000	1
004645-021	5	006574-000	1
004645-022	5	006687-000	2, 6
		006766-000	8

006962-000	6	011035-000	2
007008-000	3	011077-000	2
007147-000	1	011078-000	2
007259-000	3	011522-002	5
007278-000	3	011522-003	5
007323-000	2	011522-004	5
007400-000	5	011522-005	5
007484-000	5	011522-006	5
007583-000	7	011522-008	5
007776-000	2	011522-009	5
007817-000	5	011522-010	5
007841-000	3	011522-012	5
007842-000	4	011522-013	5
007844-000	3	011522-015	5
007851-000	5	011522-016	5
007854-000	7	011522-017	5
007878-000	2	011522-018	5
007883-000	7	011522-019	5
008012-000	4	011522-020	5
008154-000	7	011522-021	5
008154-402	7	011522-022	5
008164-000	7	011522-023	5
008165-000	7	011522-024	5
008165-402	7	011522-025	5
008191-000	3	011522-026	5
008278-000	2	011522-051	5
008279-000	2	011522-052	5
008283-000	2	011522-053	5
008286-000	2	011522-054	5
008345-000	5	011524-002	7
008416-000	1	011524-003	7
008636-000	2	011524-004	7
008747-000	4	011524-005	7
009053-000	2	011524-006	7
009055-000	2	011524-007	7
009112-000	2	011524-008	7
009150-000	3	011524-009	7
009197-000	2	011524-010	7
009288-000	4	011524-011	7
010901-000	2	011524-012	7
010902-000	2	011524-013	7

011524-014	7	025990-000	8
011524-015	7	030823-000	7
011524-016	7	031679-000	3
011524-017	7	031961-000	5
011524-018	7	032138-000	6
011524-019	7	034927-000	6
011524-020	7	034928-000	6
011524-021	7	035604-000	8
011524-022	7	035795-000	1, 1
011524-023	7	035881-000	1
011524-024	7	035885-000	1
011524-025	7	035891-000	1
011524-026	7	035958-000	5
011524-027	7	040349-000	3
011636-000	1	040736-000	5
012265-000	1	040865-000	3
012438-000	4	041505-000	6
012460-000	2	042233-2108	1
012567-000	4	042287-000	5
012568-000	4	042323-002	5
012569-000	4	042323-003	5
012571-000	4	042323-004	5
012654-000	2	042323-005	5
012897-000	2	042323-006	5
013213-000	1	042323-008	5
013290-000	7	042323-009	5
013386-000	1	042323-010	5
013583-000	1	042323-012	5, 5
015170-000	1	042323-015	5
015357-000	2, 8	042323-016	5
020409-000	3	042323-017	5
020604-000	5	042323-018	5
021225-402	3	042323-019	5
021225-403	3	042323-020	5
023090-000	3	042323-021	5
023340-000	8	042323-022	5
023651-000	4	042323-023	5
023750-000	8	042323-024	5, 5
024605-000	8	042323-026	5
024606-000	8	042323-051	5
024722-000	6	042323-052	5

042323-053	5	042679-020	5
042323-054	5	042679-021	5
042648-000	5	042679-022	5
042666-000	5	042679-023	5
042678-002	5	042679-024	5
042678-003	5	042679-025	5
042678-004	5	042679-026	5
042678-005	5	042679-027	5
042678-006	5	043833-000	8
042678-008	5	044178-000	5
042678-009	5	049416-000	2
042678-010	5	049420-000	2
042678-012	5	049718-402	3
042678-013	5	050172-000	1
042678-015	5	056034-000	1
042678-016	5	056872-000	5
042678-017	5	056873-000	5
042678-018	5	066197-042	2
042678-019	5	066210-000	3
042678-020	5	066225-402	3
042678-021	5	066958-000	2
042678-022	5	067033-000	2
042678-023	5	068458-000	3
042678-024	5	068653-601	3
042678-025	5	070074-000	2
042678-026	5	072628-402	2
042678-027	5	074321-000	7
042679-002	5	074329-002	7
042679-003	5	074329-005	7
042679-004	5	074329-006	7
042679-005	5	074329-008	7
042679-006	5	074329-013	7
042679-008	5	074329-024	7
042679-009	5	074892-000	2
042679-010	5	079905-000	1
042679-012	5	082938-402	2
042679-013	5	082940-402	2
042679-015	5	083442-000	2, 2
042679-016	5	085109-000	3
042679-017	5, 5	A1002596	3
042679-019	5	A20012649	4



A2001361	2, 3	PD020084	3
A20014089	4	PD020232	3
A2002189	7	PD040004	1
A2002595	3	PD040005	2, 4, 5
A2002654	6	PE010030	7
A2004428	3	PE010068	7
A2004429	5	PE050023	1
A2005525	3	PE050024	1
A2008467	3	PE050057	3
B2005589	3	PE050208	4
E2004433	3	PE050250	4
E2004435	3	PE060030	7
E2109638	3	PE060039	7
E91012614	3	PJ030022	4
E9108438BK	2	PJ030039	4
G9105513	3		
J2101749	2		
NTOE	3		
PA020056	4		
PA070003	1		
PB020192	2		
PB020193	2		
PB040027	2		
PB040170	3		
PB040171	3		
PB040238	2		
PB060030	3		
PB070058	2		
PB070079	4		
PB070208	3		
PD010003	7		
PD020010	2		
PD020014	7		
PD020032	1		
PD020033	7		
PD020046	2		
PD020060	3, 4		
PD020063	7		
PD020067	3		
PD020076	2		
PD020079	2		