

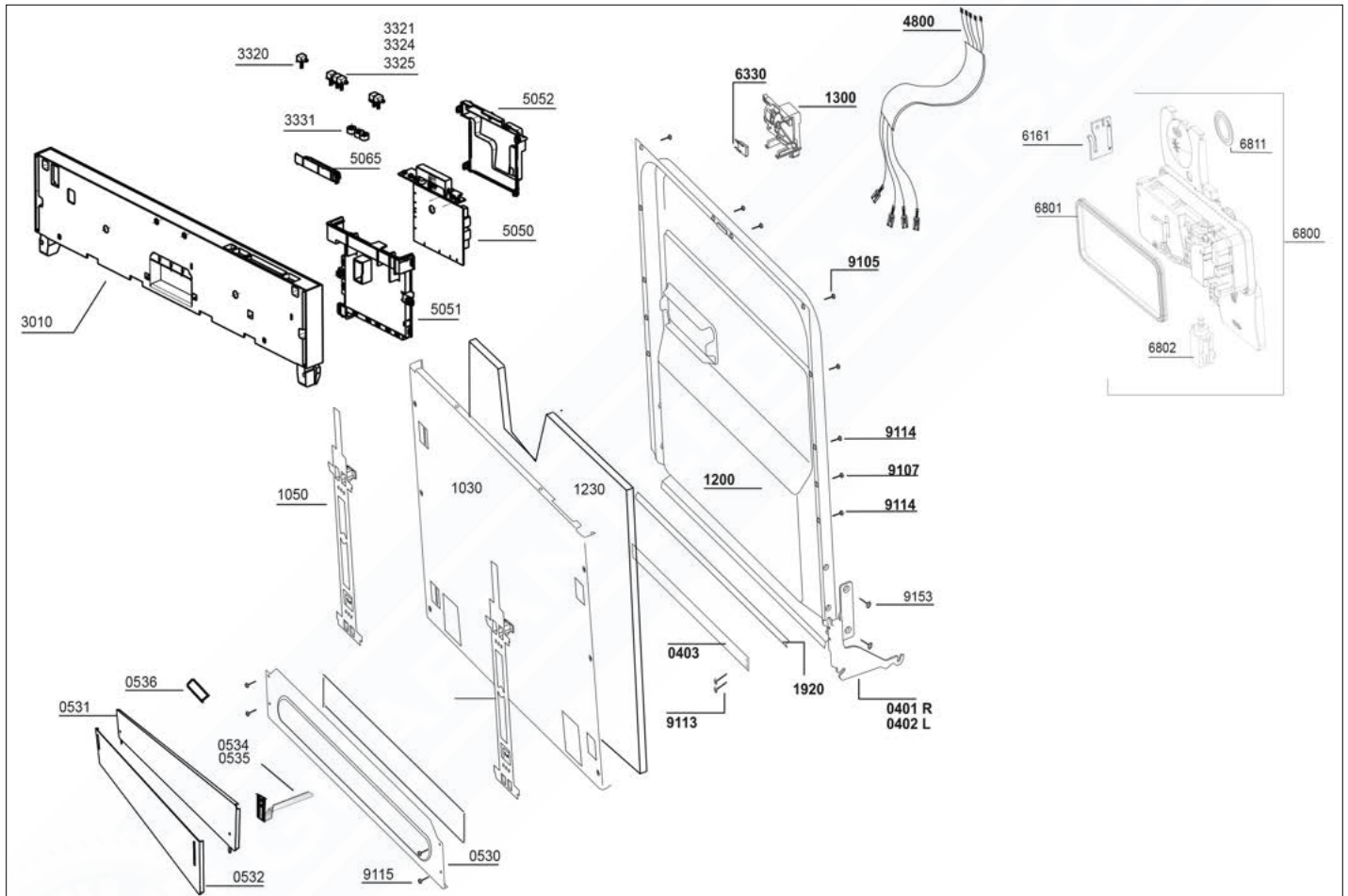
FDW103

Dishwasher

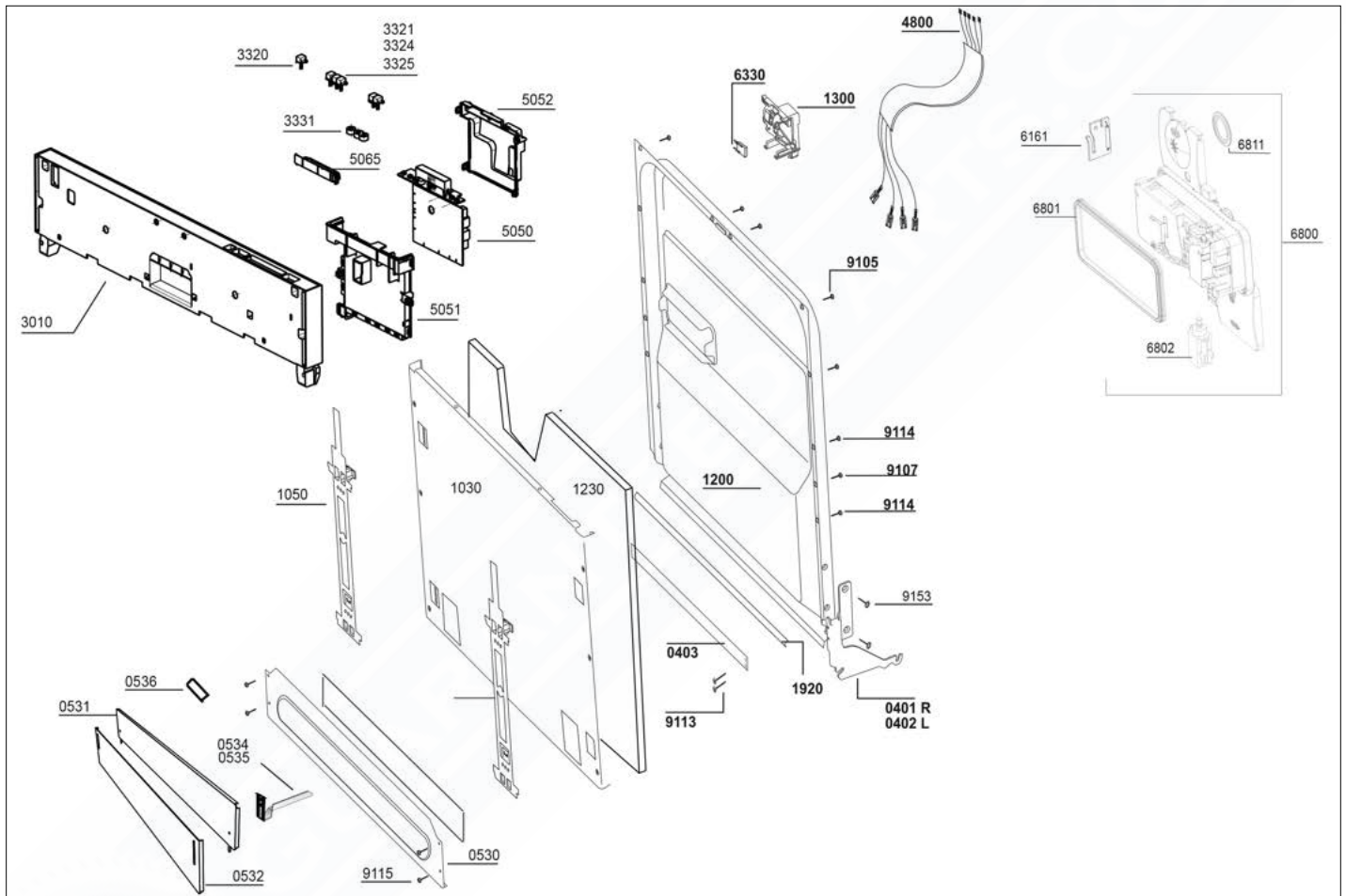
GUARANTEEDPARTS.COM



FDW103 Door Parts



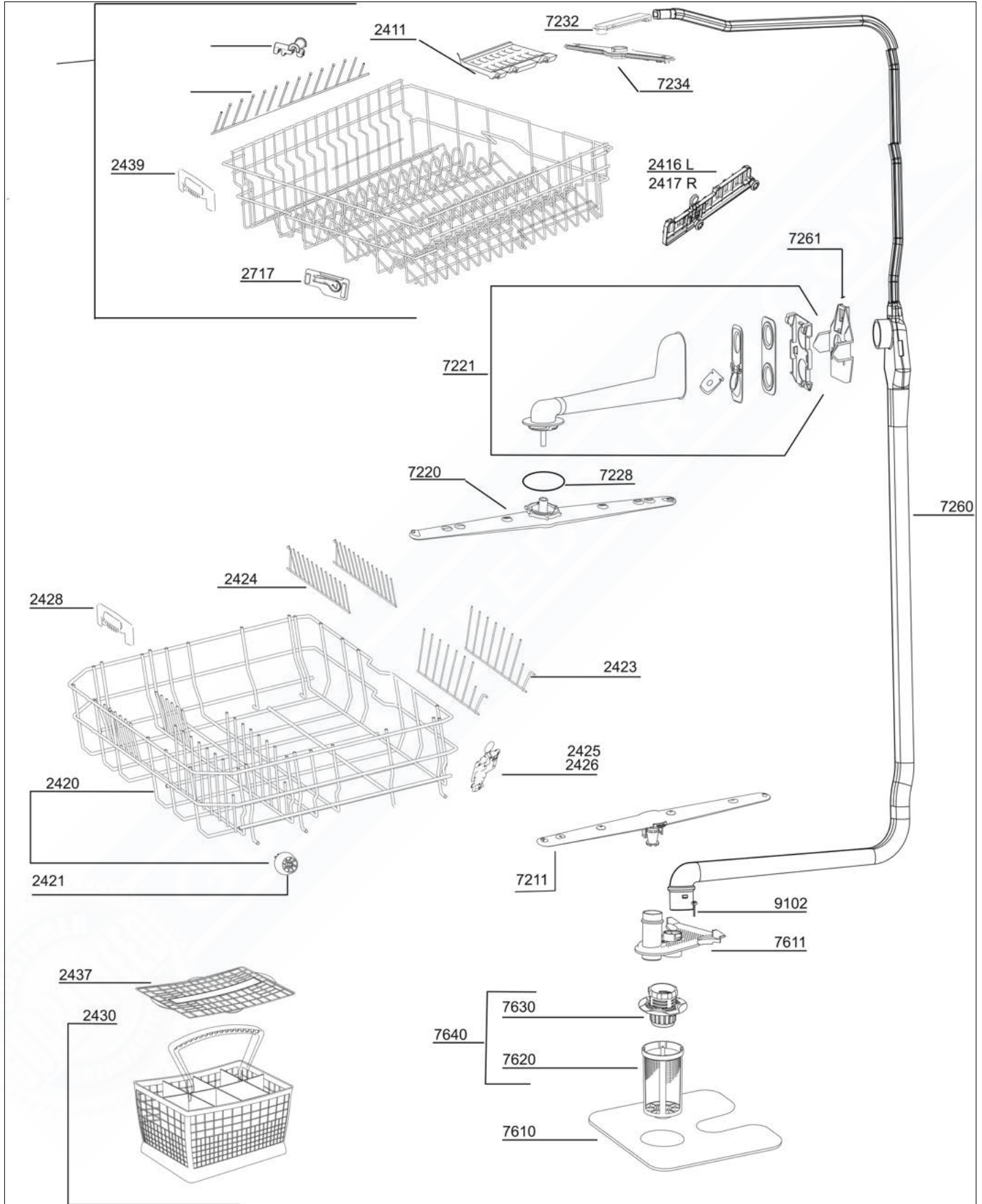
Item	Part No.	Name	Qty	Uom	NOTES
401	039739-000	HINGE ARM RIGHT	1	EA	
402	039738-000	HINGE ARM LEFT	1	EA	
403	039935-000	HINGE ARM SUPPORT	1	EA	
530	039773-000	KICK PLATE SHEET	1	EA	
531	039926-000	KICK PLATE SHEET	1	EA	
532	060210-000	KICK PLATE SHEET	1	EA	
534	039924-000	PLINTH ADJUSTMENT SHEET LEFT	1	EA	
535	039925-000	PLINTH ADJUSTMENT SHEET RIGHT	1	EA	
536	039928-000	KICK PLATE ADJUSTING LOCKET	1	EA	
1030	059867-000	OUTER DOOR	1	EA	Not available online / Call for pricing and availability
Not Shown	NOTE	(FOR PANEL READY UNITS)		EA	
1050	060709-000	BOARD CONNECTION PART - LEFT	1	EA	Not available online / Call for pricing and availability
1200	039720-000	INNER DOOR GR	1	EA	
1230	039903-000	DOOR INSULATION	1	EA	
1300	060170-000	DOOR LOCK GROUP	1	EA	
1920	039908-000	DOOR SEALING GASKET	1	EA	
3010	059864-000	PANEL GR FDW103	1	EA	
3320	060156-000	ON-OFF BUTTON BLACK	1	EA	
3321	060153-000	F1-F2 FUNCTION BUTTON BLACK	1	EA	
3324	060180-000	DELAY BUTTON BLACK	1	EA	
3325	060155-000	PROGRAME DELAY BUTTON BLACK	1	EA	
3331	060192-000	E5-E6 BUTTON GASKET	1	EA	
4800	060710-000	D1 CABLE HARNESS	1	EA	
5050	059863-000	ELECTRONIC CARD E5	1	EA	
5051	060189-000	E5-E6 CARD HOLDER FRONT PART	1	EA	
5052	060190-000	E5-E6 CARD HOLDER BACK PART	1	EA	



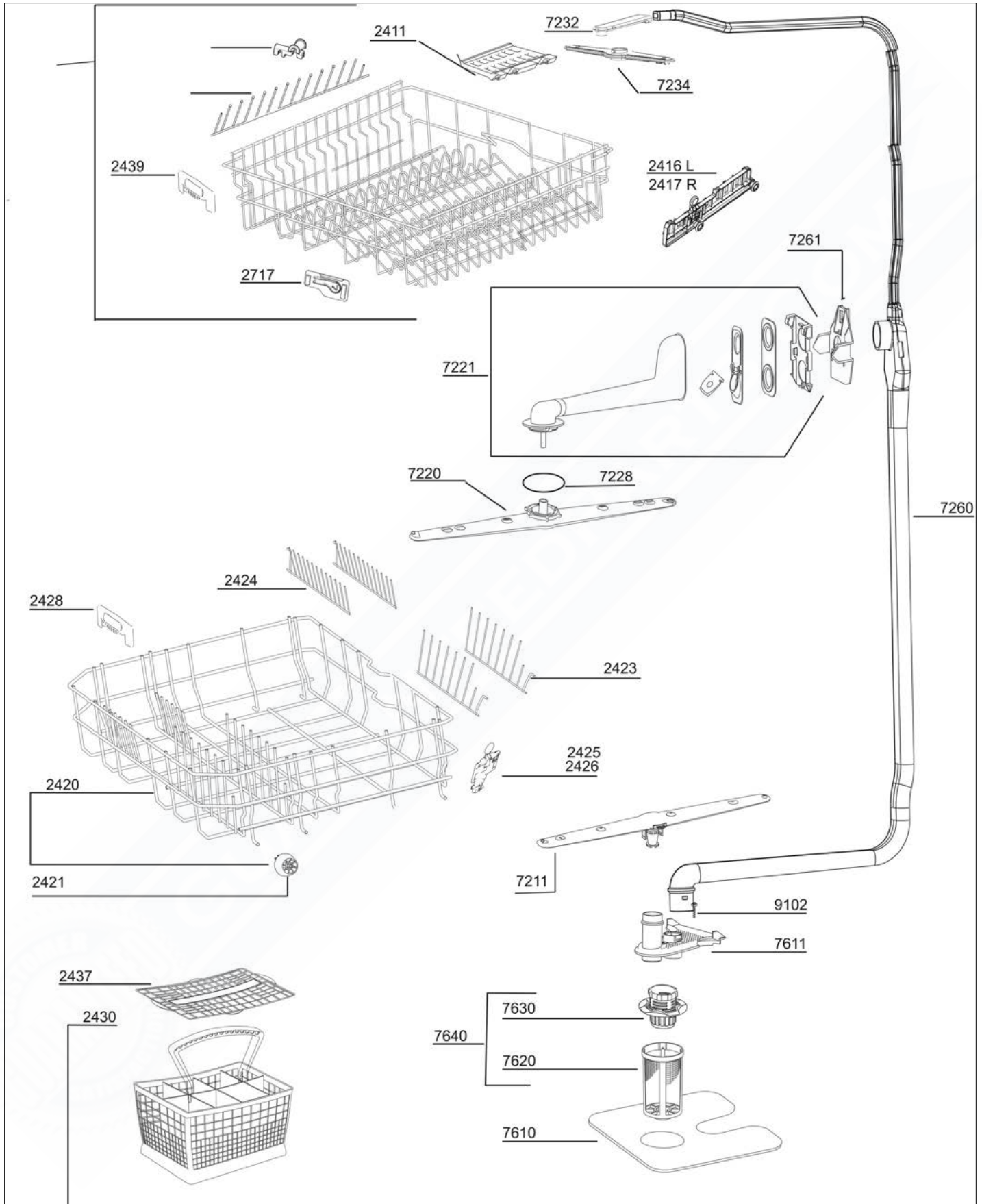


Item	Part No.	Name	Qty	Uom	NOTES
5065	060191-000	E5-E6 BOTTON HOLDER PART	1	EA	
6161	050831-000	RINSE AID GLASS	1	EA	
6330	059878-000	NEW DOOR SWITCH	1	EA	
6800	039715-000	DETERGENT DISPENSER GROUP	1	EA	
6801	039714-000	DTERGENT DISPENSER GASKET	1	EA	
6802	039882-000	THERMOACTUATOR D3731 D3421	1	EA	
6811	039713-000	RINSE AID GASKET	1	EA	
9105	039914-000	SCREW	6	EA	
9107	039912-000	INNER DOOR STOPER	2	EA	
9113	039917-000	BOLT M4X8 D3731 D3421	21	EA	
9114	039916-000	SCREW	4	EA	
9115	039876-000	SCREW	24	EA	
9153	039877-000	SCREW	4	EA	
NI	RVDP324	VIKING DOOR PANEL	1	EA	
Not Shown	NOTE	(SALES ITEM ONLY)		EA	
NI	PDDP242	PROFESSIONAL DOOR PANEL	1	EA	
Not Shown	NOTE	(SALES ITEM ONLY)		EA	

FDW103 Inner Tub parts

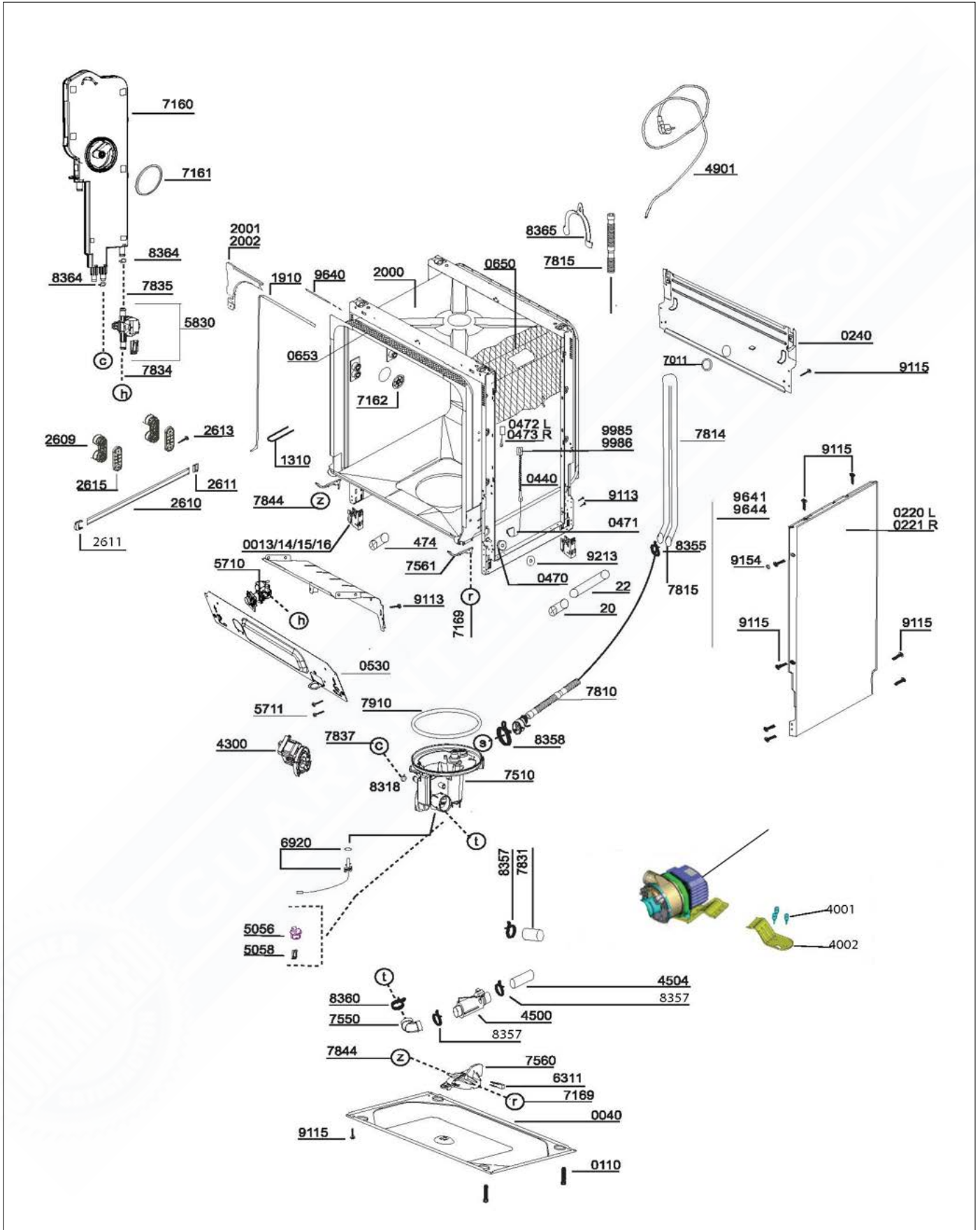


Item	Part No.	Name	Qty	Uom	NOTES
2411	039785-000	SHELF GROUP	4	EA	
2414	057479-000	UPPER BASKET GROUP	1	EA	
2416	057480-000	UPPER BASKET MECHANISM-LEFT	1	EA	
2417	057481-000	UPPER BASKET MECHANISM-RIGHT	1	EA	
2420	057490-000	LOWER BASKET GROUP	1	EA	
2421	060707-000	GRD LOWER BASKET WHEEL GROUP	8	EA	Not available online / Call for pricing and availability
2423	039788-000	PLATE HOLDER-LEFT	2	EA	
2424	039789-000	PLATE HOLDER-RIGHT	2	EA	
2425	050885-000	FOLDING PART OF BOTTOM BASKET	1	EA	
2426	057489-000	FOLDING PART OF BOTTOM BASKET	1	EA	
2428	050883-000	LOWER BASKET HANDLE	1	EA	
2430	057482-000	CUTLERY BASKET GROUP	1	EA	
2437	039791-000	CUTLERY BASKET SEPARATOR	2	EA	
2439	057486-000	UPPER BASKET HANDLE	1	EA	
2517	039861-000	UPPER BASKET CLIPS	11	EA	
2518	039783-000	FOLDING PART CLIPS RIGHT	1	EA	
2715	059870-000	UPPER BASKET SUPPORT WIRE	1	EA	
2716	059871-000	UPPER BASKET SUPPORT WIRE	1	EA	
2717	057494-000	GRD FOLDING PART	1	EA	
7211	060164-000	LOWER SPRAY ARM GROUP	1	EA	
7220	060165-000	UPPER SPRAY ARM GROUP	1	EA	
7221	039862-000	UPPER SPRAY ARM FEED PIPE	1	EA	
7228	039870-000	GASKET	1	EA	
7232	039847-000	CEILING SPRAY ARM FEED PIPE	1	EA	
7234	039841-000	CEILING SPRAY GROUP	1	EA	
7260	039840-000	WATER SUPPLY TUBE GROUP	1	EA	

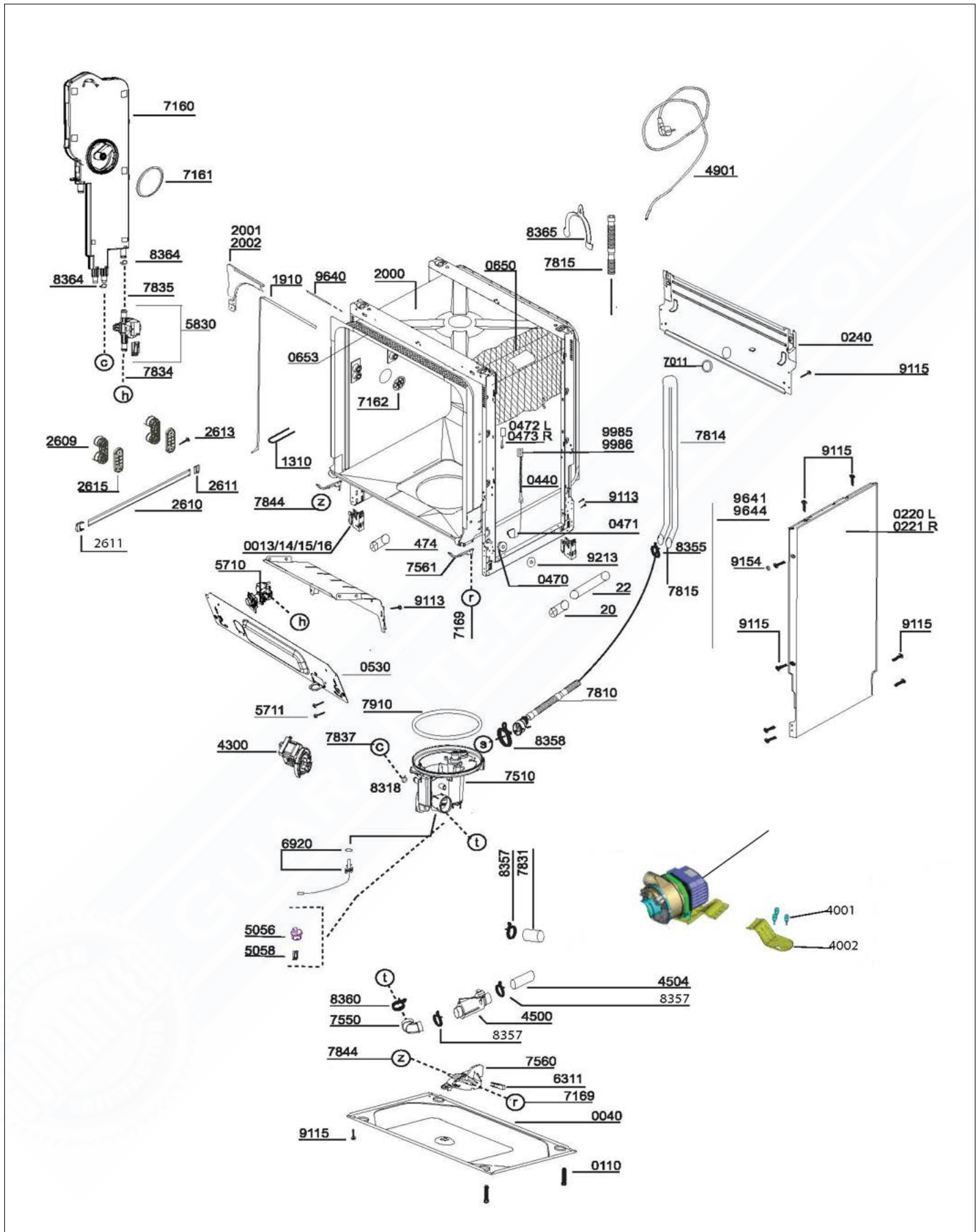


Item	Part No.	Name	Qty	Uom	NOTES
7261	050882-000	UPPER SPRAY ARM GUIDE ADJUSTABLE BASKET	1	EA	
7610	060198-000	METAL FILTER GROUP	1	EA	
7611	060708-000	HALF FILTER SUPPORT ZONE	1	EA	Not available online / Call for pricing and availability
7620	060196-000	MICRO FILTER GROUP_2	1	EA	
7630	057474-000	COARSE FILTER	1	EA	
7640	060197-000	FILTER GROUP_2	1	EA	
9102	039945-000	SCREW	3	EA	

FDW103 Chassis parts

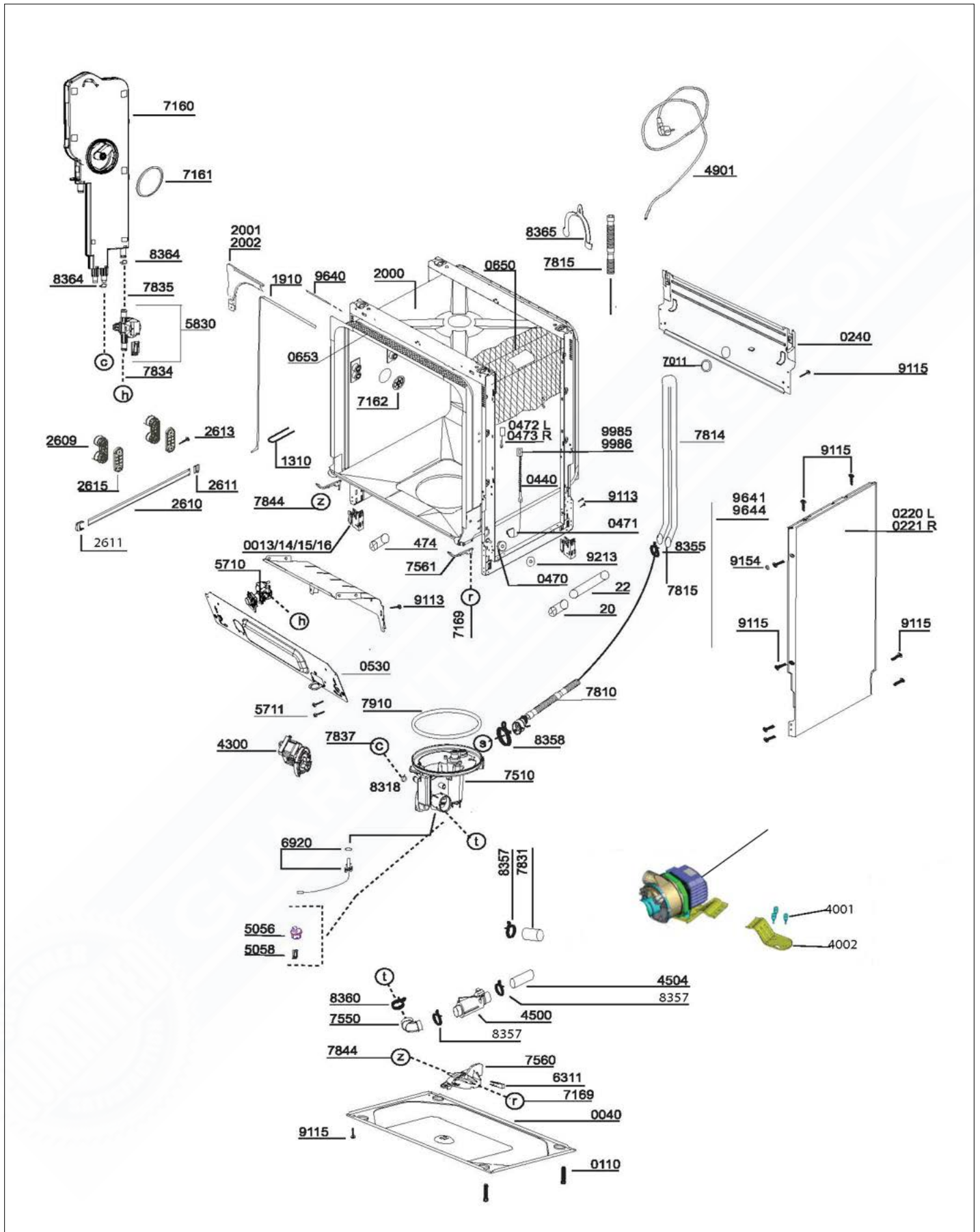


Item	Part No.	Name	Qty	Uom	NOTES
13	050779-000	FOOT GROUP-ADJUSTABLE-RIGHT-FRONT	1	EA	
14	039941-000	FOOT GROUP-ADJUSTABLE-RIGHT-BACK	1	EA	
15	039942-000	FOOT GROUP-ADJUSTABLE-LEFT-FRONT	1	EA	
16	039943-000	Rear feet Adjustable LEFT BACK	1	EA	
20	039937-000	REAR ADJUSTABLE FOOT CONNECTION PART	2	EA	
22	039938-000	REAR ADJUSTABLE DOOR CONNECTION PART	2	EA	
40	039886-000	BOTTOM TRAY	1	EA	
110	039889-000	FOOT GROUP-ADJUSTABLE	4	EA	
220	057516-000	SIDE PANEL-LEFT	1	EA	
221	057517-000	SIDE PANEL-RIGHT	1	EA	
240	040592-000	REAR BOTTOM SUPPORT	1	EA	
440	057495-000	HINGE SPRING	4	EA	
470	039893-000	HINGE WHEEL	2	EA	
471	039894-000	HINGE ROPE GROUP	2	EA	
472	039763-000	DOOR ADJUSTMENT GROUP-LEFT	1	EA	
473	059866-000	DOOR ADJUSTMENT GROUP - RIGHT	1	EA	
474	039765-000	DOOR ADJUSTING ADAPTOR	2	EA	
530	039773-000	KICK PLATE SHEET	1	EA	
650	039774-000	INNER TUB ISOLATION	1	EA	
653	039923-000	DOOR LOCK COTTON FLEECE	1	EA	
1310	039901-000	DOOR LOCK HOOK	1	EA	
1910	039769-000	DOOR SEALING GASKET	1	EA	
2000	039775-000	WELDED MECHANICAL GROUP	1	EA	
2001	039767-000	TOP CORNER BRACKET - LEFT	1	EA	
2002	039768-000	TOP CORNER BRACKET - RIGHT	1	EA	
2609	059869-000	RAIL WHEEL GROUP	4	EA	Not available online / Call for pricing and availability
2610	039887-000	RAIL	2	EA	

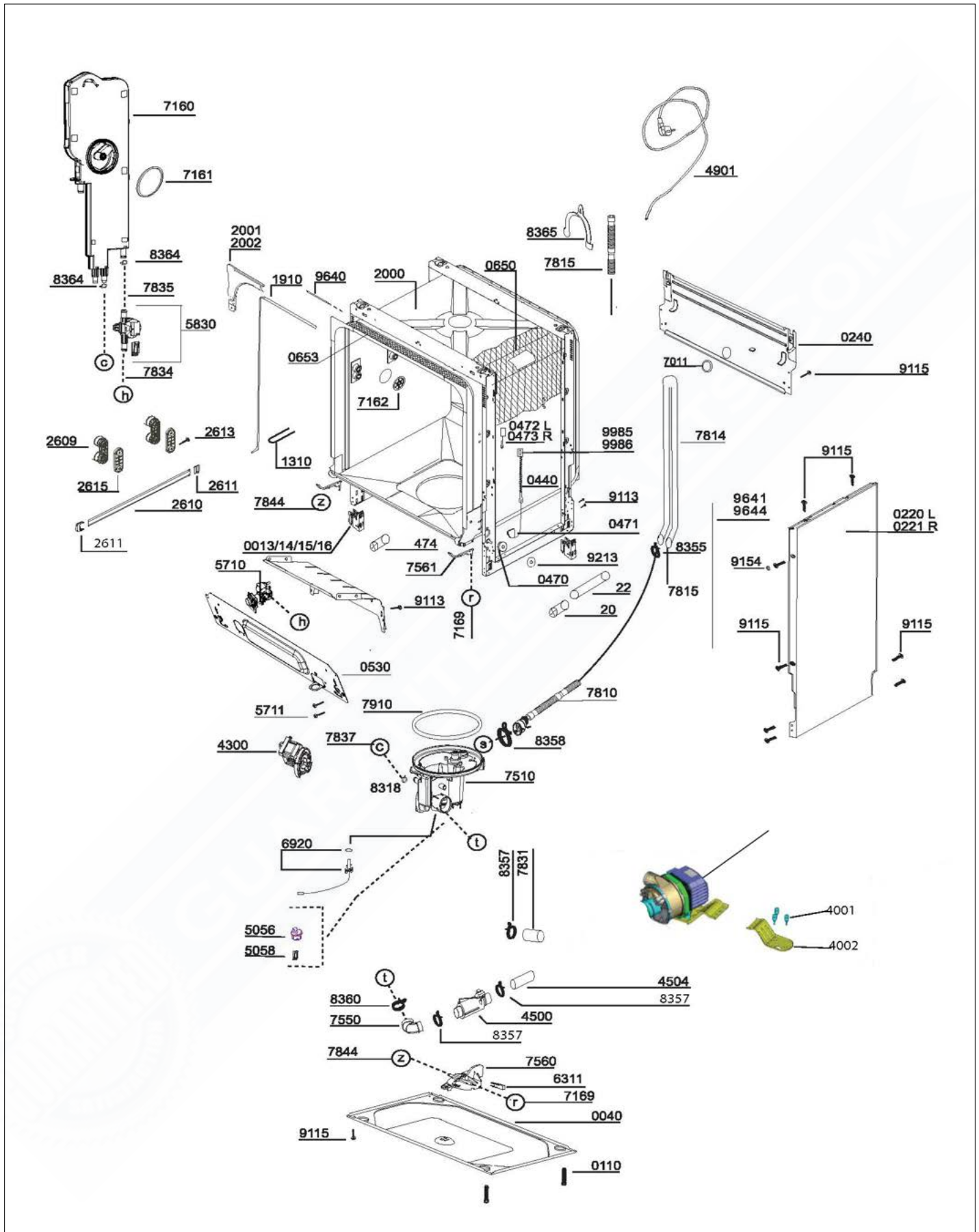




Item	Part No.	Name	Qty	Uom	NOTES
2611	050782-000	rail cap front back	4	EA	
2613	039766-000	RAIL WHEEL SCREW	8	EA	
2615	039777-000	RAIL WHEEL HOLDER	4	EA	
4000	060187-000	QUADRO CIRCULATION MOTOR GROUP	1	EA	
4001	060182-000	CIRCULATION PUMP DAMPENING RUBBER	3	EA	
4002	060181-000	MOTOR BRACKET GROUP	1	EA	
4300	039758-000	DRAIN PUMP GROUP	1	EA	
4500	060167-000	FLOW THROUGH HEATER	1	EA	
4504	060720-000	PUMP INLET HOSE	1	EA	Not available online / Call for pricing and availability
4901	039949-000	MAIN POWER PLUG 120V USA	1	EA	
5056	060169-000	TURBIDITY FRAME 2K	1	EA	
5058	039950-000	TURBIDITY CARD AND LED HOLDER GR	1	EA	
5710	039756-000	WATER INLET VALVE	1	EA	
5711	039761-000	SCREW	2	EA	
5830	050887-000	COUNTER GROUP	1	EA	
6311	039913-000	MICRO SWITCH	1	EA	
6920	039933-000	NTC GROUP	1	EA	
7011	039918-000	DRAIN HOSE HOLDER 7037	2	EA	
7160	061486-000	REGENERATION UNIT	1	EA	
7161	039910-000	AIR FUNNEL GASKET	1	EA	
Comments for Part Num. 039910-000					
bradleysapplianceservice@shaw.ca on Feb 28, 2017					
SUBS TO: 039910-000 AIR FUNNEL GASKET					
7162	050778-000	air funnel cup	1	EA	
7169	039872-000	HOSE	1	EA	
7510	060721-000	SUMP GROUP	1	EA	Not available online / Call for pricing and availability
7550	039723-000	HOSE BETWEEN SUMP AND HEATER	1	EA	



Item	Part No.	Name	Qty	Uom	NOTES
7560	039934-000	OVERFLOW FLOAT GROUP	1	EA	
7561	039921-000	OVERFLOW SIPHON	2	EA	
7810	039726-000	DRAIN HOSE	1	EA	
Comments for Part Num. 039726-000 bradleysapplianceservice@shaw.ca on Jul 15, 2016 IF LONG EXTERIOR DRAIN HOSE IS REQUIRED - FROM BACK OF DISHWASHER TO DRAIN OUTLET - ORDER PART NUMBER: 039726-000 DRAIN HOSE IF SUMP TO BACK OF UNIT DRAIN HOSE IS REQUIRED - INSIDE OF UNIT - ORDER PART NUMBER: 039725-000 SUMP DRAIN HOSE (16 INCHES LONG) Reply by profixappliances@gmail.com on Dec 12, 2017 Thank you for the clarification!					
7814	039792-000	COLUMN ASSY	1	EA	
7815	039725-000	DRAIN HOSE	1	EA	
Comments for Part Num. 039725-000 profixappliances@gmail.com on Dec 12, 2017 Per Bradleysapplianceservice: IF LONG EXTERIOR DRAIN HOSE IS REQUIRED - FROM BACK OF DISHWASHER TO DRAIN OUTLET - ORDER PART NUMBER: 039726-000 DRAIN HOSE IF SUMP TO BACK OF UNIT DRAIN HOSE IS REQUIRED - INSIDE OF UNIT - ORDER PART NUMBER: 039725-000 SUMP DRAIN HOSE (16 INCHES LONG)					
7831	060722-000	QUADRO PUMP OUTLET HOSE VALVE NO	1	EA	Not available online / Call for pricing and availability
NI	061501-000	SUMP CLAMP SCREW TYPE	1	EA	
7834	039867-000	HOSE (VALVE-COUNTER)	1	EA	
7835	039866-000	HOSE BETWEEN COUNTER AND REGENERATION U.	1	EA	
7837	039874-000	HOSE (REGENERATION TO SUMP)	1	EA	
7844	039873-000	HOSE (OVERFLOW SIPHON TO OVERFLOW FLOAT)	1	EA	
7910	039722-000	SUMP GASKET	1	EA	
8318	060723-000	HOSE CLAMP (Ø 16.4)	6	EA	
8355	039952-000	HOSE CLAMP (Ø 28_7)	2	EA	
8357	039953-000	HOSE CLAMP.(+ 34_1)	1	EA	
8358	039954-000	Hose Clamp	1	EA	



Item	Part No.	Name	Qty	Uom	NOTES
8360	050799-000	HOSE CLAMP	1	EA	
8364	039958-000	HOSE CLAMP (Ø 15.88)	1	EA	
8365	040591-000	Drain Hose Holder	1	EA	
9113	039917-000	BOLT M4X8 D3731 D3421	21	EA	
9115	039876-000	SCREW	24	EA	
9154	060204-000	SCREW CAP SIDE WALLS	2	EA	
9213	039883-000	WASHER	2	EA	
9640	060202-000	NOISE ISOLATION FOR TUB	1	EA	
9641	057529-000	NOISE ISOLATION	2	EA	
Not Shown	NOTE	SLIDES ON TRIM OF TUB		EA	
9644	039760-000	NOISE ISOLATION	2	EA	
Not Shown	NOTE	STICKS ON SIDE OF UNIT		EA	
9986	057471-000	DUAL SPRING HOLDER LOWER PART	2	EA	
NI	057472-000	FRAME COVER PART	2	EA	
NI	057530-000	ACCESSORIES	1	EA	
Not Shown	NOTE	INSTALL HARDWARE		EA	
NI	071566-000	MOUNTING BRACKET KIT	1	EA	
Not Shown	NOTE	TO SECURE UNIT TO CABINET		EA	