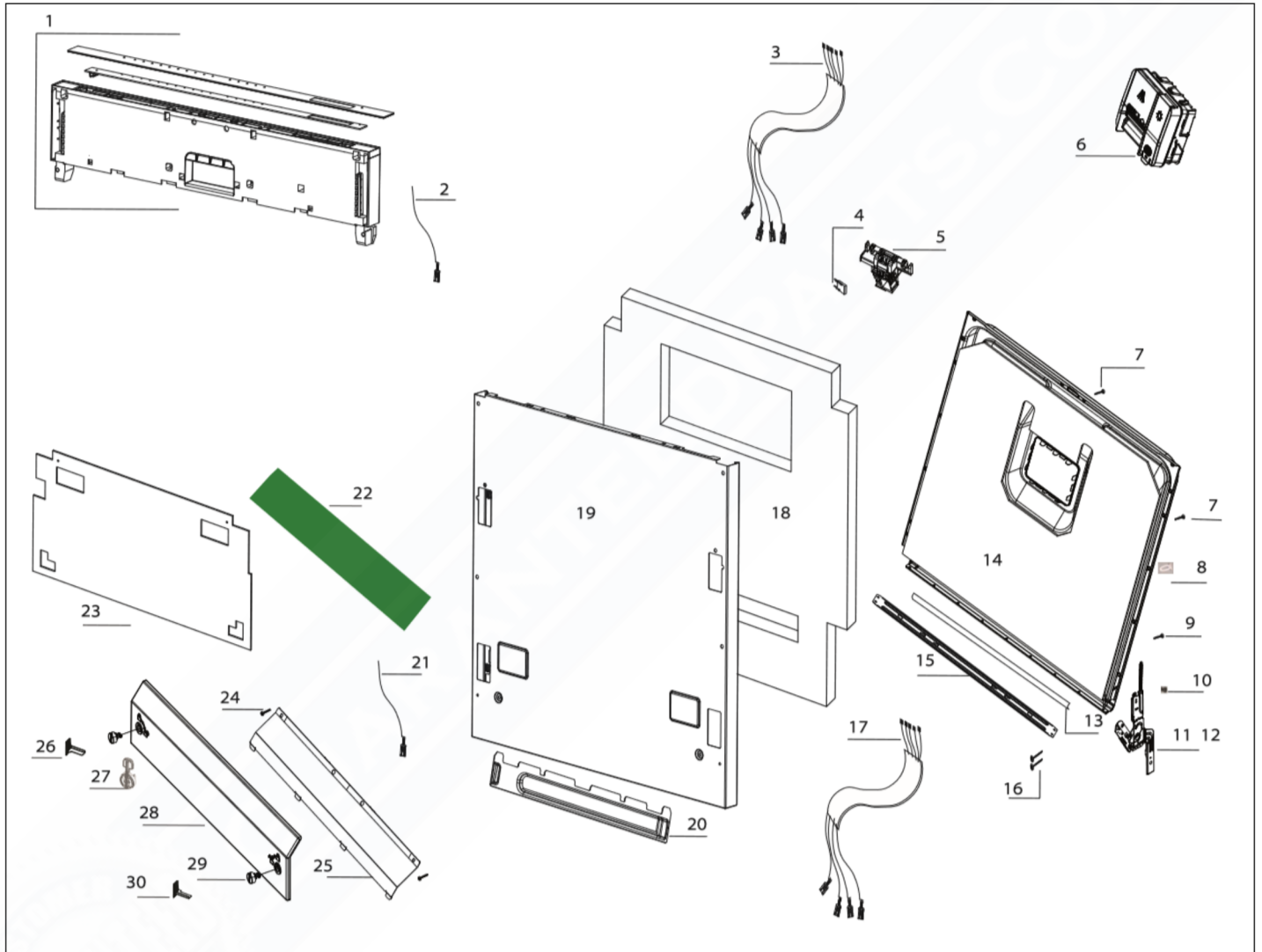


**FDWU324**

GUARANTEEDPARTS.COM



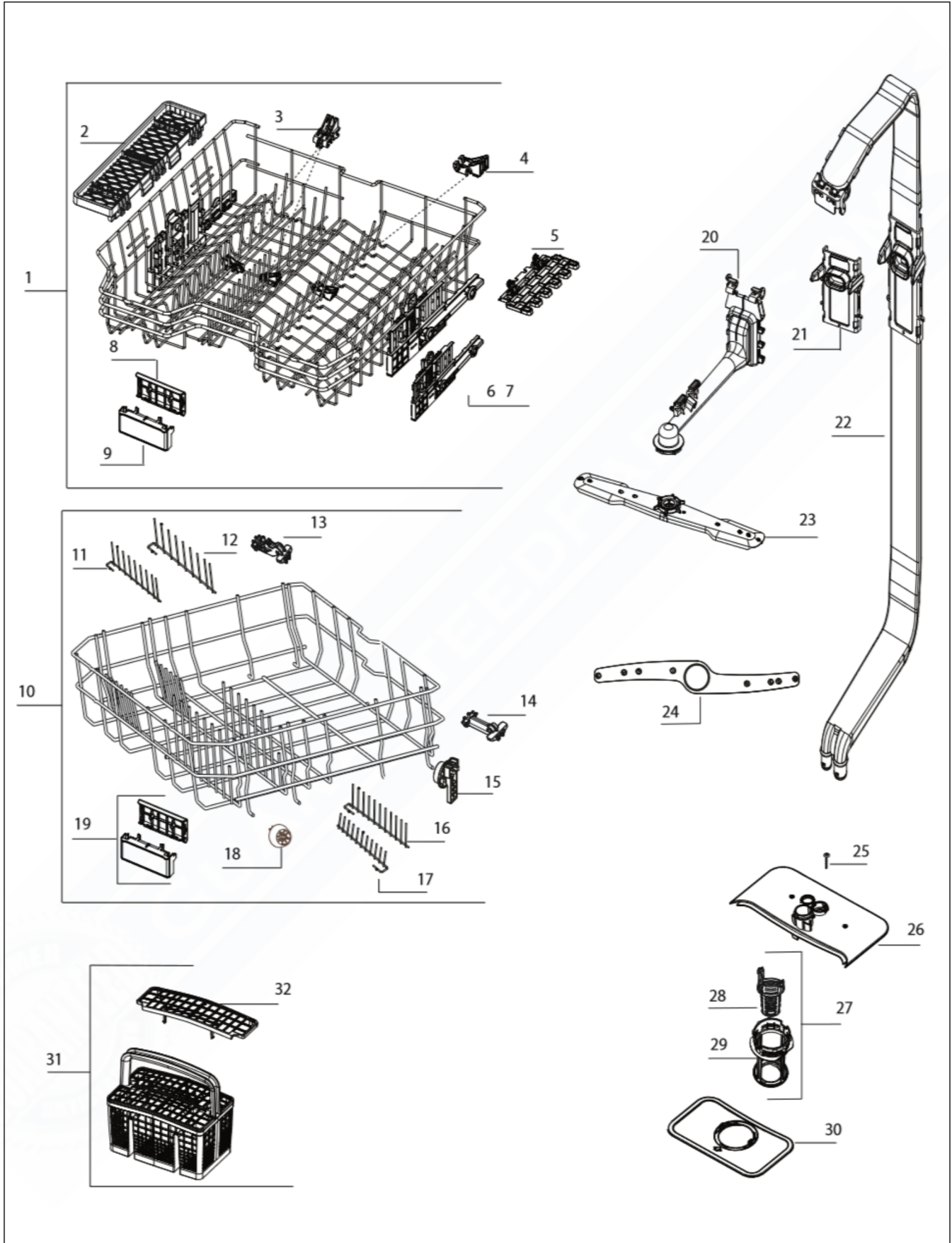
FDWU324 Door



Item	Part No.	Name	Qty	Uom	NOTES
1	070336-000	PANEL GROUP	1	EA	
2	057476-000	PROGRAM END SIGNAL CABLE	1	EA	
3	070134-000	MESE CABLE HARNESS (INCLUDES INDICATOR LIGHT)	1	EA	
4	070154-000	DOOR SWITCH	1	EA	
5	069402-000	SELFRESETING LOCK GROUP	1	EA	
6	070161-000	BITRON DETERGENT BOX GROUP	1	EA	
7	039914-000	SCREW	8	EA	
8	039912-000	INNER DOOR STOPER	2	EA	
9	039916-000	SCREW (INNER-OUTER DOOR)	4	EA	
10	039877-000	SCREW	6	EA	
11	070130-000	HINGE GROUP SPRING SINGLE FULCRUM	1	EA	
12	070131-000	HINGE GROUP SPRING SINGLE FULCRUM	1	EA	
13	039908-000	DOOR SEALING GASKET	1	EA	
14	070086-000	ATLANTIS INNER DOOR BITUMEN GR.	1	EA	
15	039935-000	HINGE ARM SUPPORT	1	EA	
16	039917-000	BOLT M4X8 D3731 D3421	11	EA	
17	070337-000	MESE CABLE HARNESS	1	EA	
18	070088-000	DOOR INSULATION	1	EA	
19	059867-000	OUTER DOOR	1	EA	Not available online / Call for pricing and availability
20	070157-000	ANGORA BI KICK PLATE PAD	1	EA	
21	070135-000	PALOS CABLE HARNESS - 1.0MM2	1	EA	
22	070158-000	KICK PLATE FELT	1	EA	
23	070200-000	KICK PLATE RUBBER	1	EA	
NI	063681-000	INSULATION MATERIAL	1	EA	
Not Shown	NOTE	(GOES BEHIND KICKPLATE)		EA	
24	060158-000	SCREW	2	EA	
25	070146-000	ANGORA BI KICK PLATE STEEL	1	EA	

Item	Part No.	Name	Qty	Uom	NOTES
26	070147-000	PLASTIC NORDIC SETTING PART, RH BRACKET	1	EA	
27	070149-000	ANGORA NORDIC SHEET METAL ADJ. LOCK	2	EA	
28	070138-000	PLASTIC NORDIC KICK PLATE	1	EA	
29	070137-000	PLASTIC NORDIC KICK PLATE HOLDING PART	2	EA	
30	070148-000	PLASTIK NORDIC SETTING PART, LH BRACKET	1	EA	
NI	PDDP524	VIKING PROFESSIONAL DOOR PANEL		EA	
Not Shown	NOTE	(ACCESSORY, ORDER THROUGH DEALER)		EA	
NI	TVDDP524	TUSCANY DOOR PANEL		EA	
Not Shown	NOTE	(ACCESSORY, ORDER THROUGH DEALER)		EA	
NI	MPDDP524	VIRTUOSO DOOR PANEL		EA	
Not Shown	NOTE	(ACCESSORY, ORDER THROUGH DEALER)		EA	

FDWU324 Interior

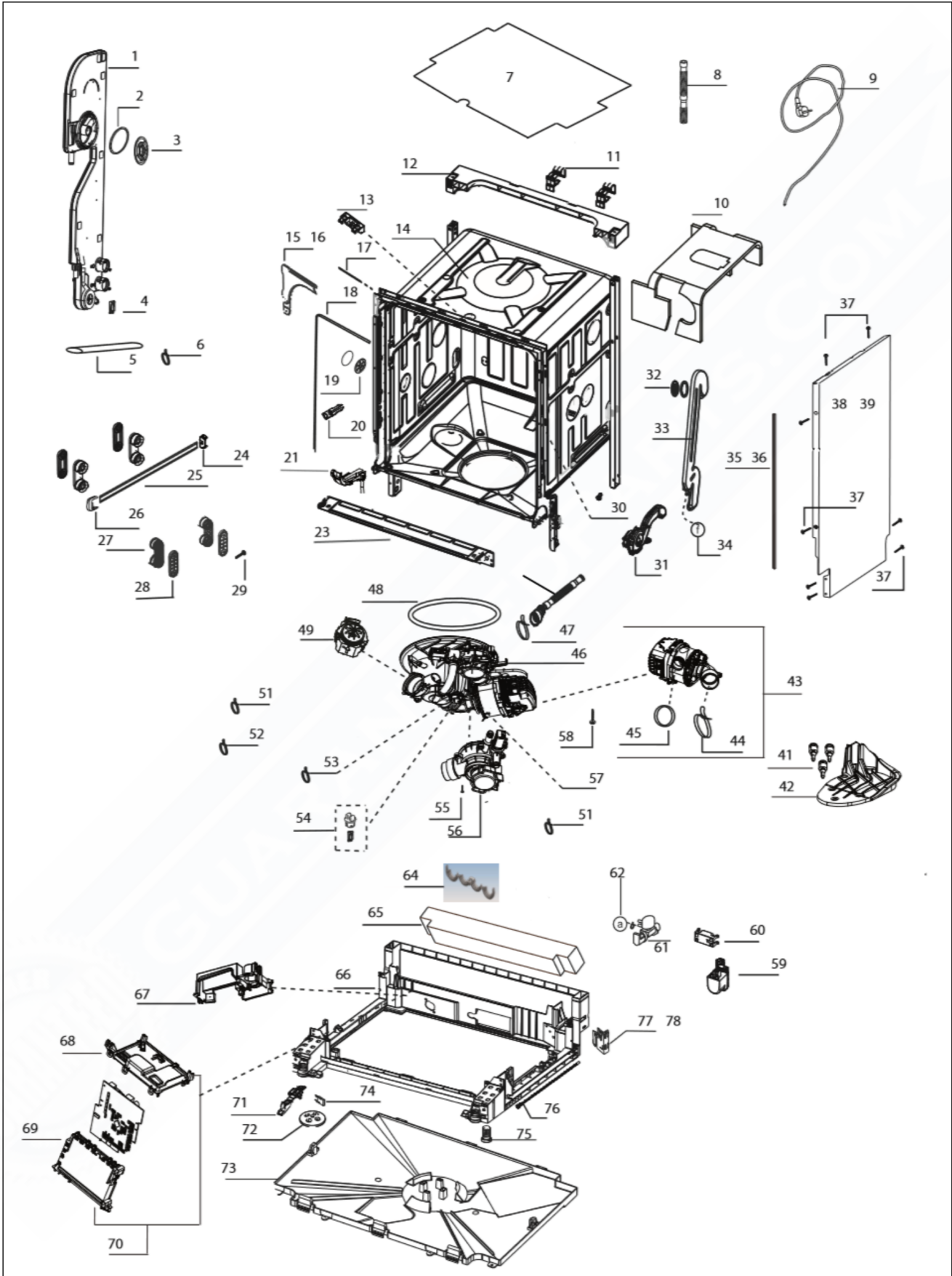


Item	Part No.	Name	Qty	Uom	NOTES
1	070331-000	EU3 UPPER BASKET GROUP	1	EA	
2	070343-000	GRUNDIG KNIFE HOLDER	1	EA	
3	070124-000	EU3 TOP BASKET BOWL FOLDABLE PART 7016	2	EA	
4	070125-000	EU3 TOP BASKET GLASS FOLDABLE PART 7016	1	EA	
5	070106-000	OEM ATLANTIS SHELF GROUP	2	EA	
6	079576-000	S3 UPPER BASKET MECHANISM GROUP - LEFT	1	EACH	
7	079577-000	S3 UPPER BASKET MECHANISM GROUP - RIGHT	1	EACH	
8	070116-000	OEM ATLANTIS HANDLE BACK PART	1	EA	
9	070335-000	PANEL	1	EA	
10	070334-000	US2-3 LOWER BASKET GR.	1	EA	
11	070118-000	LOWER BASKET PLATE HOLDER BALL BACK LEFT	1	EA	
12	070114-000	LOWER BASKET PLATE HOLDER BALL BACK LEFT	1	EA	
13	070196-000	FOLDABLE PART LONG	4	EA	
14	070197-000	CLIPS LONG	4	EA	
15	070112-000	LOWER BASKET STOPER PLASTIC WHELL GR.	6	EA	
16	070115-000	LOWER BASKET PLATE HOLDER BALL BACK RIGH	1	EA	
17	070119-000	LOWER BASKET PLATE HOLDER BALL BACK RIGHT	1	EA	
18	060707-000	GRD LOWER BASKET WHEEL GROUP	2	EA	Not available online / Call for pricing and availability
19	050883-000	LOWER BASKET HANDLE	1	EA	
20	070165-000	ATLANTIS UPPER SPRAY ARM FEEDING HOSE GR	1	EA	
21	070167-000	UPPER SPRAY ARM FEED PIPE CENTERING PART	1	EA	
22	070166-000	DORA WATER SUPPLY TUBE GR.	1	EA	
23	070164-000	ATLANTIS TOP SPRAY ARM GROUP COMPLETE	1	EA	
24	070163-000	METAL SPTAY ARM GR.	1	EA	

Item	Part No.	Name	Qty	Uom	NOTES
25	039945-000	SCREW	3	EA	
26	070341-000	KARINA FILTER SUPPORT GROUP	1	EA	
27	070177-000	FILTER GROUP_3 NO RING	1	EA	
28	057474-000	COARSE FILTER	1	EA	
29	070176-000	MICRO FILTER GROUP_3 NO RING	1	EA	
30	070173-000	METAL FILTER HALF	1	EA	
31	057482-000	CUTLERY BASKET GROUP	1	EA	
32	039791-000	CUTLERY BASKET SEPARATOR	2	EA	



FDWU324 Tub





Item	Part No.	Name	Qty	Uom	NOTES
1	070162-000	AIR BREAKER_COUNTER GR SMALL	1	EA	
2	060206-000	AIR FUNNEL GASKET	2	EA	
3	050778-000	air funnel cup	1	EA	
4	061480-000	COUNTER PCB_4 (FLOW METER)	1	EA	
5	039874-000	HOSE (REGENERATION TO SUMP)	1	EA	
6	060723-000	HOSE CLAMP (Ø 16.4)	3	EA	
7	061464-000	TUB COVER (2mm)	1	EA	
8	070181-000	DRAIN HOSE-L=440MM (SHORT DRAIN HOSE THAT CONNECTS TO SUMP GROUP)	1	EA	
9	039949-000	MAIN POWER PLUG 120V USA	1	EA	
9	070139-000	MAIN PLUG EURO 230V CANADA	1	EA	
10	070339-000	ANGORA UPPER ISOLATION	1	EA	
11	070188-000	ANGORA WATER INLET VALVE HOSE HOLDER	1	EA	
12	070206-000	HITIT REAR UPPER TRAVERSE	1	EA	
13	070090-000	DOOR LOCK HOOK SUPPORT BI	1	EA	
14	070330-000	DORA STRUCTURE GR	1	EA	NON SERVICEABLE PART
15	070095-000	ANGORA CORNER BRACKET	1	EA	
16	070096-000	ANGORA CORNER BRACKET	1	EA	
17	070193-000	ANGORA LARGE UPPER SOUND GASKET	1	EA	
18	039769-000	DOOR SEALING GASKET	1	EA	
19	050778-000	air funnel cup	1	EA	
20	070089-000	HITIT_LOCK_HOOK-7016	1	EA	
21	070172-000	ANGORA OWERFLOW SIPHON	2	EA	
23	070087-000	ANGORA FRONT LOWER SUPPORT SHEET	1	EA	
24	050782-000	rail cap front back	4	EA	
25	039887-000	RAIL	2	EA	
26	050782-000	rail cap front back		EA	

Item	Part No.	Name	Qty	Uom	NOTES
27	059869-000	RAIL WHEEL GROUP	4	EA	Not available online / Call for pricing and availability
28	039777-000	RAIL WHEEL HOLDER	4	EA	
29	039766-000	RAIL WHEEL SCREW	8	EA	
30	070209-000	BUILT IN CENTERING PLUG-7037	8	EA	
31	070186-000	ANGORA FAN GROUP	1	EA	
32	050778-000	air funnel cup	1	EA	
33	060175-000	FAN SUCTION TUBE - WELDED	0.9	EA	
34	050797-000	HOSE BETWEEN FAN AND SUMP	1	EA	
35	057529-000	NOISE ISOLATION	2	EA	
Not Shown	NOTE	(SLIDES ON TRIM OF TUB)		EA	
36	039760-000	NOISE ISOLATION	2	EA	
Not Shown	NOTE	(STICKS ON SIDE OF UNIT)		EA	
37	039876-000	SCREW	6	EA	
38	070098-000	SIDE PANEL-LEFT-ARC744	1	EA	
39	070099-000	SIDE PANEL-RIGHT-ARC744	1	EA	
41	060182-000	CIRCULATION PUMP DAMPENING RUBBER	3	EA	
42	070129-000	KARINA QUADRO MOTOR HANGING BRACKET	1	EA	
43	070342-000	ATLANTIS MOTOR CLAMP GROUP	1	EA	
44	050799-000	HOSE CLAMP	1	EA	
45	070189-000	CRIMP CLAMP	1	EA	
46	070340-000	KARINA SUMP GROUP	1	EA	
47	039953-000	HOSE CLAMP.(+ 34_1)	1	EA	
48	039722-000	SUMP GASKET	1	EA	
49	039758-000	DRAIN PUMP GROUP	1	EA	
51	057528-000	Hose clamp with screw	1	EA	
52	039951-000	HOSE CLAMP (DIA 17.3)	1	EA	
53	057589-000	HOSE CLAMP (Ø 15.88)	1	EA	

Item	Part No.	Name	Qty	Uom	NOTES
54	070145-000	TURBIDITY+NTC GROUP	1	EA	
55	039945-000	SCREW	3	EA	
56	070175-000	KARİNA VALVE GROUP	1	EA	
57	070344-000	KARİNA SUMP GROUP	1	EA	
58	070185-000	CAD ITEM	2	EA	
59	061473-000	AMERICA BOBBIN TERFERENCE FILTER (POWER MODULE)	1	EA	
60	070207-000	ANGORA 1.5MM NETWORK CABLE LOCK	1	EA	
61	070150-000	WATER INLET VALVE	1	EA	
NI	061502-000	SCREW (WATER INLET VALVE)	2	EA	
62	070182-000	HOSE (VALVE-COUNTER)	1	EA	
64	070204-000	ANGORA DRAIN HOSE LOCK	1	EA	
65	070160-000	ANGORA KICK PLATE ISOLATION	1	EA	
66	070097-000	ANGORA BUILT-IN BOTTOM TRAY GR	1	EA	
67	070210-000	MEŞE CARD HOLDER CASING	1	EA	
68	070144-000	MESE CARD HOLDER BACK PART	1	EA	
69	070143-000	MESE CARD HOLDER FRONT PART	1	EA	
70	070338-000	MAIN BOARD uE934600	1	EA	
71	070151-000	HITIT OVER FLOATING CASING	1	EA	
72	070208-000	HİTİT FLOAT STYROPOR	1	EA	
73	070128-000	ANGORA BOTTOM TRAY	1	EA	
74	070152-000	HITIT_MICRO_SWITCH_ZINGE AR	0.25	EA	
75	070085-000	ANGORA BUILT UNDER FOOT	4	EA	
76	070093-000	REAR ADJUSTABLE FOOT CONNECTION PART_3	2	EA	
77	070091-000	ANGORA BACK SIDE ADJUSTABLE FOOT RIGHT	1	EA	
78	070092-000	ANGORA BACK SIDE ADJUSTABLE FOOR GR LEFT	1	EA	
79	070180-000	DRAIN HOSE-L=2085MM (LONG DRAIN HOSE THAT RUNS TO THE SINK)	1	EA	

Item	Part No.	Name	Qty	Uom	NOTES
NI	070201-000	ACCESSORIES PACK	1	EA	
Not Shown	NOTE	(INSTALL HARDWARE)		EA	
NI	078876-000	BOLT 4X43 (CUSTOM PANEL INSTALL SCREW)	6	EA	



Appendix A:Pages Index

FDWU324 Door ..... 1  
FDWU324 Interior ..... 2  
FDWU324 Tub ..... 3

GUARANTEEDPARTS.COM



Appendix B:Parts Index

039722-000	3	061464-000	3
039758-000	3	061473-000	3
039760-000	3	061480-000	3
039766-000	3	061502-000	3
039769-000	3	063681-000	1
039777-000	3	069402-000	1
039791-000	2	070085-000	3
039874-000	3	070086-000	1
039876-000	3	070087-000	3
039877-000	1	070088-000	1
039887-000	3	070089-000	3
039908-000	1	070090-000	3
039912-000	1	070091-000	3
039914-000	1	070092-000	3
039916-000	1	070093-000	3
039917-000	1	070095-000	3
039935-000	1	070096-000	3
039945-000	2, 3	070097-000	3
039949-000	3	070098-000	3
039951-000	3	070099-000	3
039953-000	3	070106-000	2
050778-000	3, 3, 3	070112-000	2
050782-000	3, 3	070114-000	2
050797-000	3	070115-000	2
050799-000	3	070116-000	2
050883-000	2	070118-000	2
057474-000	2	070119-000	2
057476-000	1	070124-000	2
057482-000	2	070125-000	2
057528-000	3	070128-000	3
057529-000	3	070129-000	3
057589-000	3	070130-000	1
059867-000	1	070131-000	1
059869-000	3	070134-000	1
060158-000	1	070135-000	1
060175-000	3	070137-000	1
060182-000	3	070138-000	1
060206-000	3	070139-000	3
060707-000	2	070143-000	3
060723-000	3	070144-000	3
		070145-000	3



070146-000	1	070330-000	3
070147-000	1	070331-000	2
070148-000	1	070334-000	2
070149-000	1	070335-000	2
070150-000	3	070336-000	1
070151-000	3	070337-000	1
070152-000	3	070338-000	3
070154-000	1	070339-000	3
070157-000	1	070340-000	3
070158-000	1	070341-000	2
070160-000	3	070342-000	3
070161-000	1	070343-000	2
070162-000	3	070344-000	3
070163-000	2	078876-000	3
070164-000	2	079576-000	2
070165-000	2	079577-000	2
070166-000	2	MPDDP524	1
070167-000	2	PDDP524	1
070172-000	3	TVDDP524	1
070173-000	2		
070175-000	3		
070176-000	2		
070177-000	2		
070180-000	3		
070181-000	3		
070182-000	3		
070185-000	3		
070186-000	3		
070188-000	3		
070189-000	3		
070193-000	3		
070196-000	2		
070197-000	2		
070200-000	1		
070201-000	3		
070204-000	3		
070206-000	3		
070207-000	3		
070208-000	3		
070209-000	3		
070210-000	3		