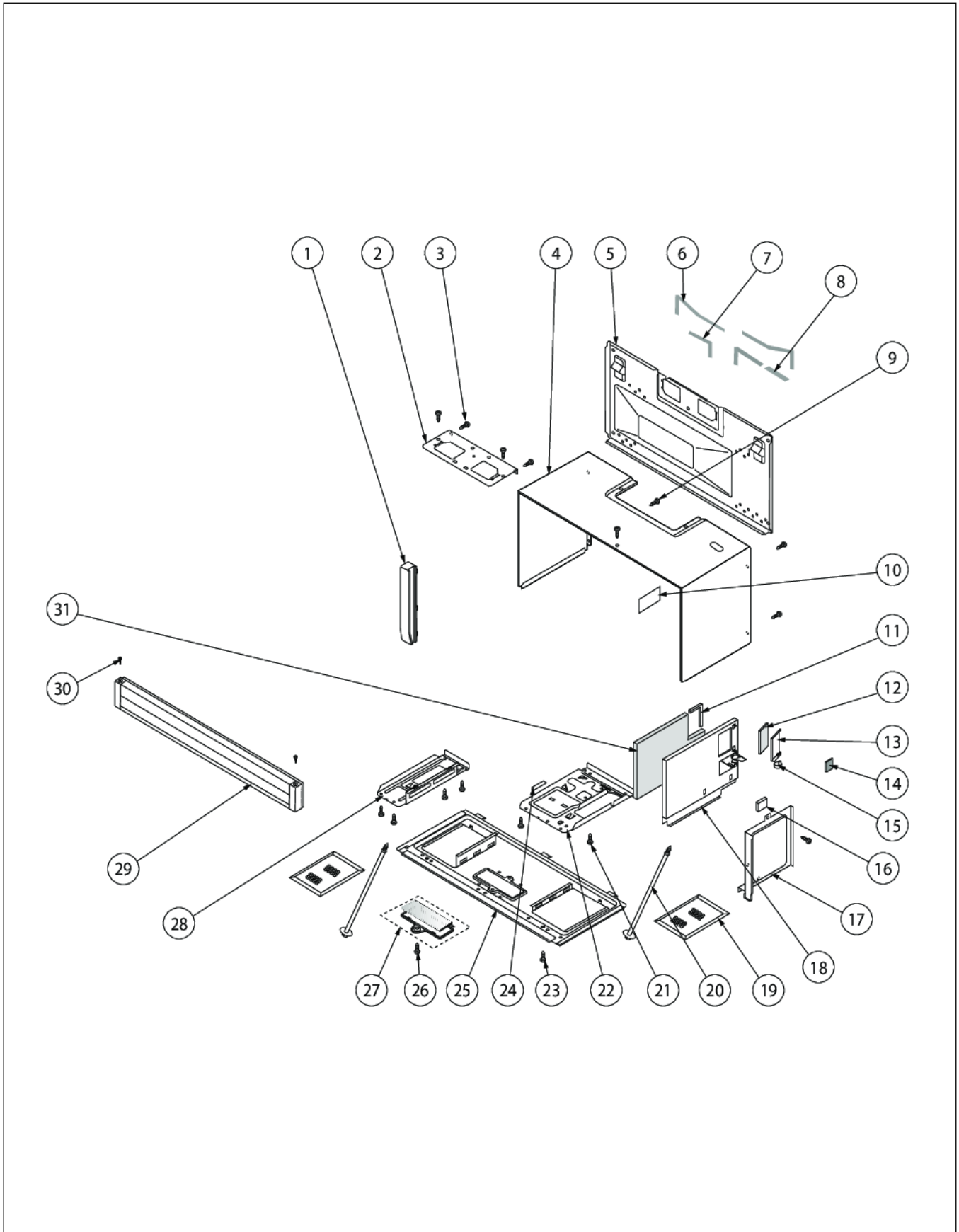


RDMOR206SS

CABINET AREA	1
CONTROL PANEL AREA	2
CONVECTION FAN ASSEMBLY	3
DOOR ASSEMBLY	4
ELECTRIC COMPONENTS	5
MISC	6
OVEN PARTS	7
Appendix A:Pages Index	A
Appendix B:Parts Index	B

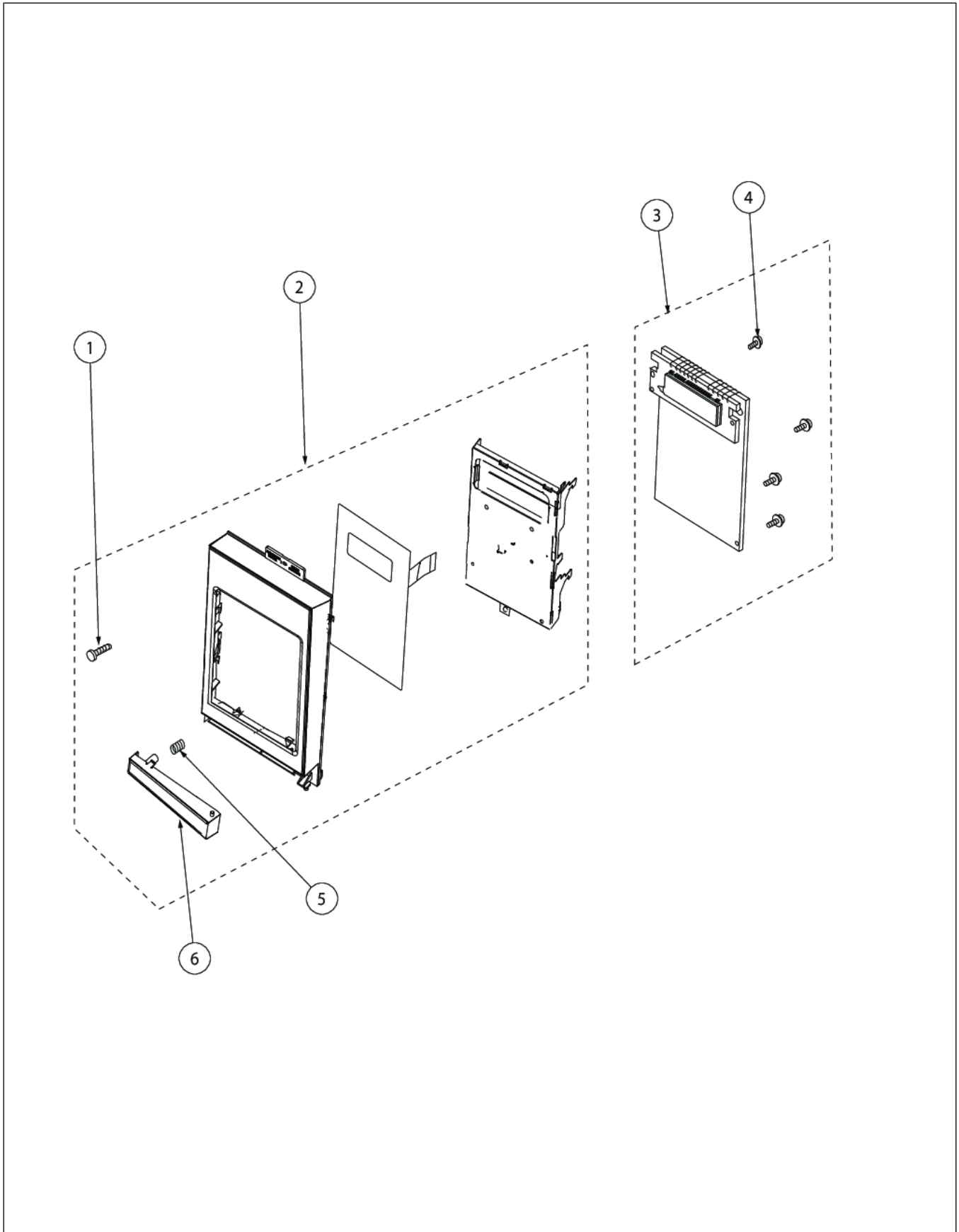
CABINET AREA



Item	Part No.	Name	Qty	Uom	NOTES
1	022397-000	LEFT SASH ASSY	1	EA	
2	022398-000	REAR STAY	1	EA	
3	PM120159	SCREW	5	EA	
4	022399-000	OUTER CASE CABINET	1	EA	
5	063788-000	UNIT MOUNTING PLATE	1	EA	
6	PM120130	Cushion (PCUSUB046MRP0)	1	EA	NO LONGER AVAILABLE
7	PM120128	Cushion (PCUSUB035MRP0)	1	EA	NO LONGER AVAILABLE
8	PM120129	Cushion (PCUSUB047MRP0)	1	EA	NO LONGER AVAILABLE
9	PM120030	SCREW, XOTSD40P12000	3	EA	
10	022405-000	SCHEMATIC DIAGRAM	1	EA	Not available online / Call for pricing and availability
11	PM120128	Cushion (PCUSUB035MRP0)	1	EA	NO LONGER AVAILABLE
12	022407-000	DAMPER CUSHION	1	EA	
13	PM120115	DAMPER PLATE (PFTA-B003MRP0)	1	EA	NO LONGER AVAILABLE
14	022409-000	CUSHION	1	EA	
15	022410-000	DAMPER CAM	1	EA	
16	PM120125	Cushion (PCUSUB020MRP0)	1	EA	
17	022412-000	HOOD INTAKE DUCT R	1	EA	
18	PM110085	Thermal Cover - Right	1	EA	NO LONGER AVAILABLE, Not available online / Call for pricing and availability
19	PM110064	Grease Filter	2	EA	
20	PM120149	Unit Mounting Screw	2	EA	
21	PM120146	SCREW : 4MM X 12MM	7	EA	
22	PM110067	Base Plate - Right	1	EA	
23	PM120153	Screw, 4mm X 12mm	1	EA	
24	022418-000	CAVITY CUSHION	1	EA	
25	063778-000	BASE COVER	1	EA	NO LONGER AVAILABLE
26	PM120159	SCREW	1	EA	

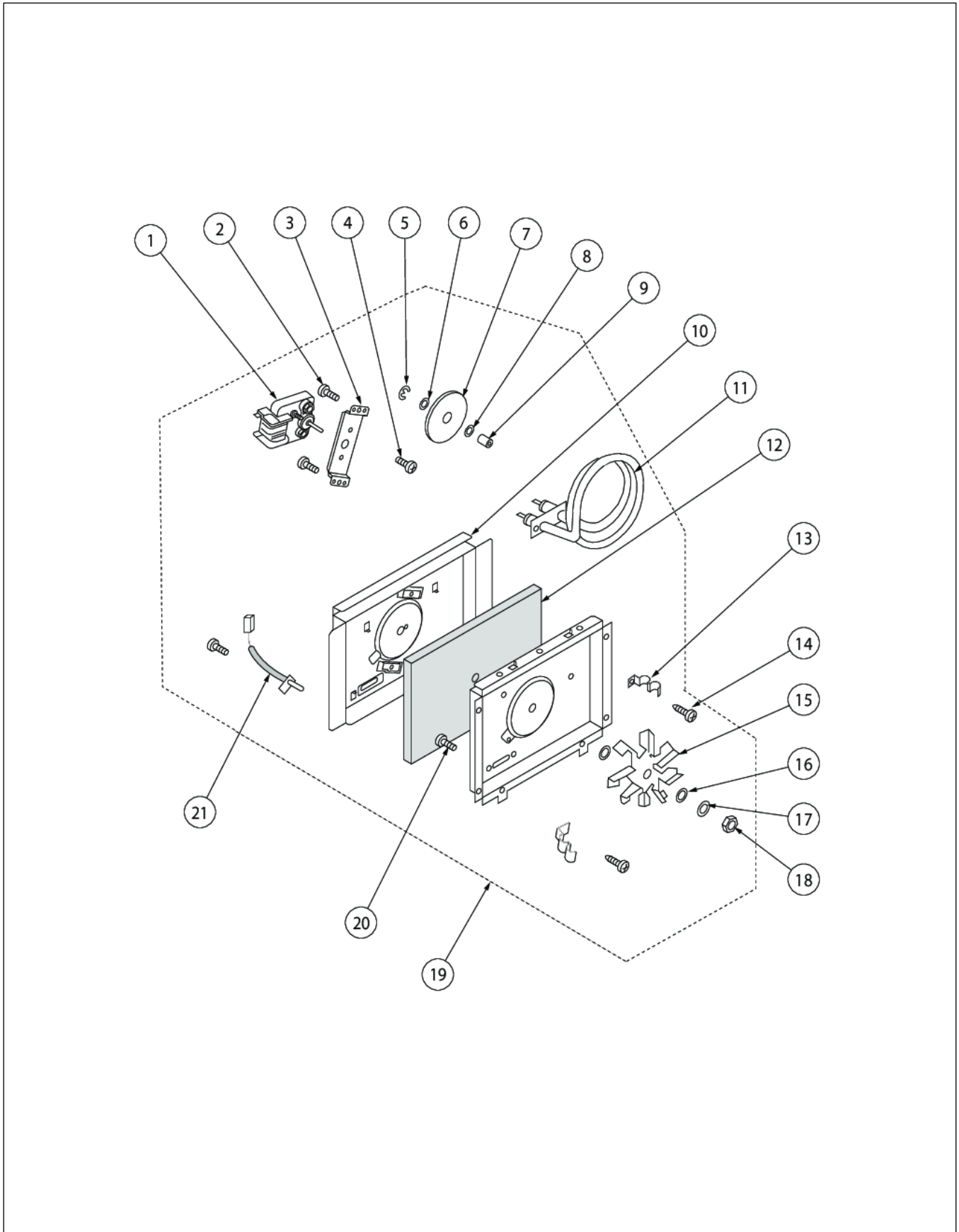
Item	Part No.	Name	Qty	Uom	NOTES
27	PM110070	Hood Lamp Glass Assembly	1	EA	
28	PM110068	Base Plate - Left	1	EA	NO LONGER AVAILABLE
29	022422-000	HOOD EXHAUST LOUVER	1	EA	
30	PM120033	SCREW ; CONTROL PANEL MTG.	2	EA	
31	PM120114	HEAT PROTECTOR - RIGHT (PFPP-B001MRE0)	1	EA	NO LONGER AVAILABLE, Not available online / Call for pricing and availability

CONTROL PANEL AREA



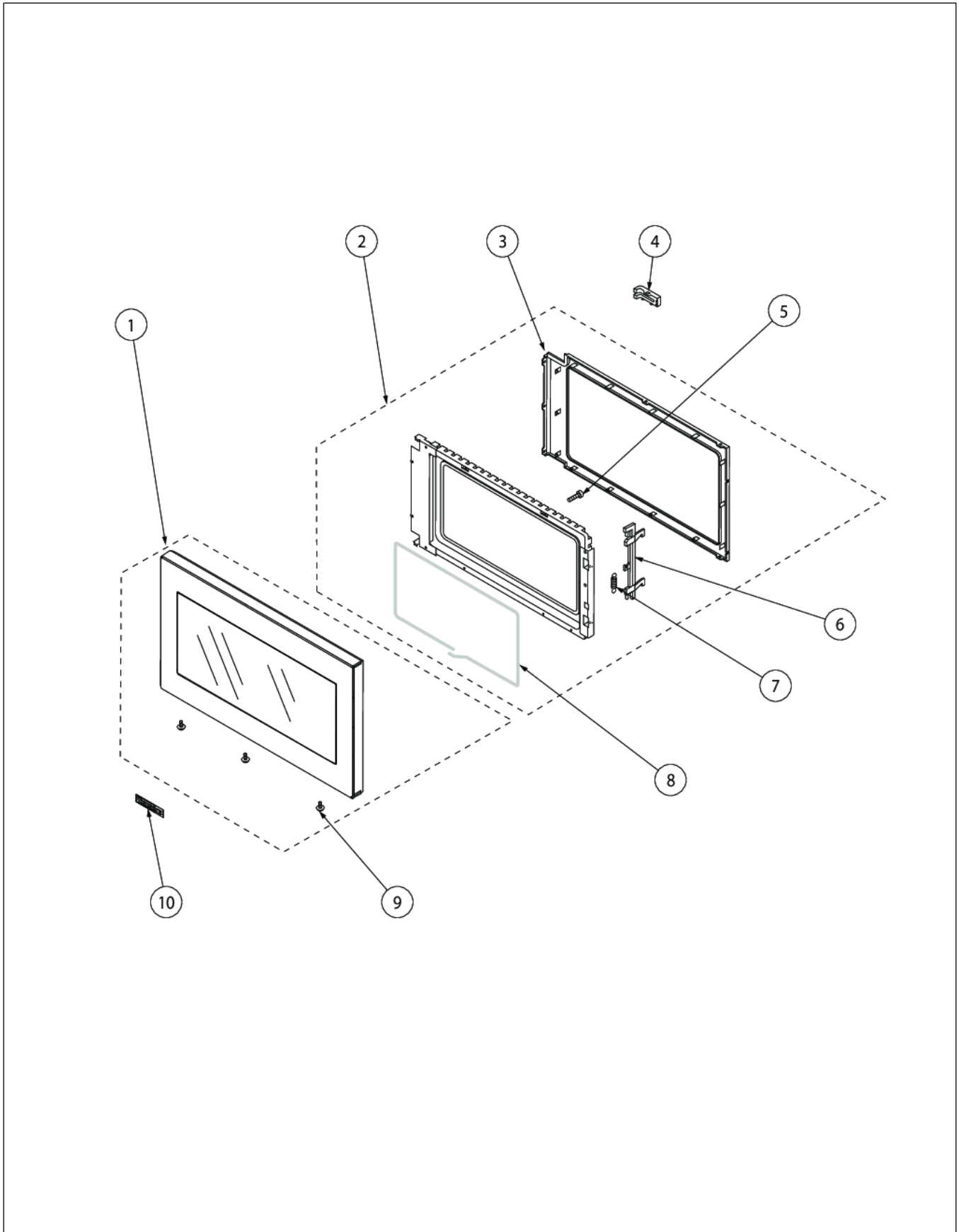
Item	Part No.	Name	Qty	Uom	NOTES
1	PM120146	SCREW : 4MM X 12MM	1	EA	
2	PM100089	CONTROL PANEL SUB ASSY (DMOR205SS)	1	EA	
3	PM100087	Control Unit	1	EA	
4	PM120105	Screw, 3mm X 10mm(XEPSD30P10XS0)	8	EA	NO LONGER AVAILABLE, Not available online / Call for pricing and availability
5	PM120044	OPEN BUTTON SPRING	1	EA	
6	PM120103	Open Button Assy (VMOR205SS)(FDECAB081MRK 0C)	1	EA	

CONVECTION FAN ASSEMBLY



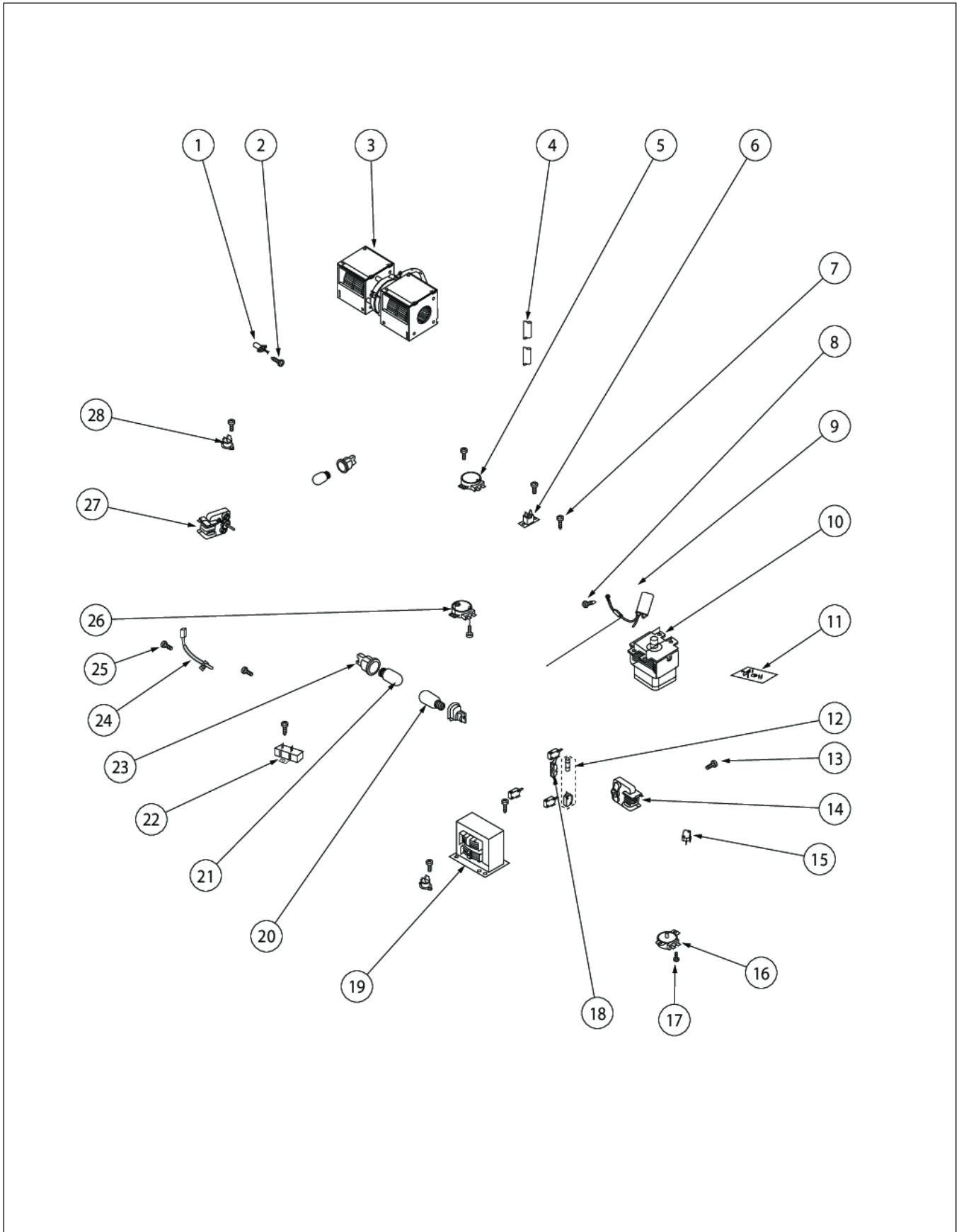
Item	Part No.	Name	Qty	Uom	NOTES
1	PM100079	CONVECTION MOTOR	1	EA	
2	022456-000	SCREW : 4MM X 8MM	2	EA	
3	022457-000	CONVECTION MOTOR ANGLE	1	EA	
4	022458-000	SCREW : 3MM X 6MM	1	EA	
5	022459-000	E-RING	1	EA	
6	PM120155	Spring Washer	1	EA	NO LONGER AVAILABLE, Not available online / Call for pricing and availability
7	PM100093	CONVECTION MOTOR FAN	1	EA	
8	022462-000	WASHER : 5MM X 0.8MM	1	EA	
9	022463-000	COLLER	1	EA	Not available online / Call for pricing and availability
10	022464-000	HEATER COVER L	1	EA	
11	022394-000	CONVECTION HEATER	1	EA	
12	PM110080	Heat Protector - Left	1	EA	NO LONGER AVAILABLE, Not available online / Call for pricing and availability
13	022467-000	HEATER MOUNTING HOLDER	2	EA	
14	022393-000	SCREW : 3MM X 6MM	3	EA	
15	PM100096	Convection Fan	1	EA	
16	PM120156	Washer, 5mm X 2mm	2	EA	NO LONGER AVAILABLE, Not available online / Call for pricing and availability
17	PM120157	SPRING WASHER	1	EA	
18	PM120154	Nut, 4mm X 3.2mm	1	EA	
19	PM100091	Convection Heater Unit	1	EA	
20	022474-000	SCREW : 4MM X 6MM	1	EA	
21	PM100077	THERMISTOR	1	EA	

DOOR ASSEMBLY



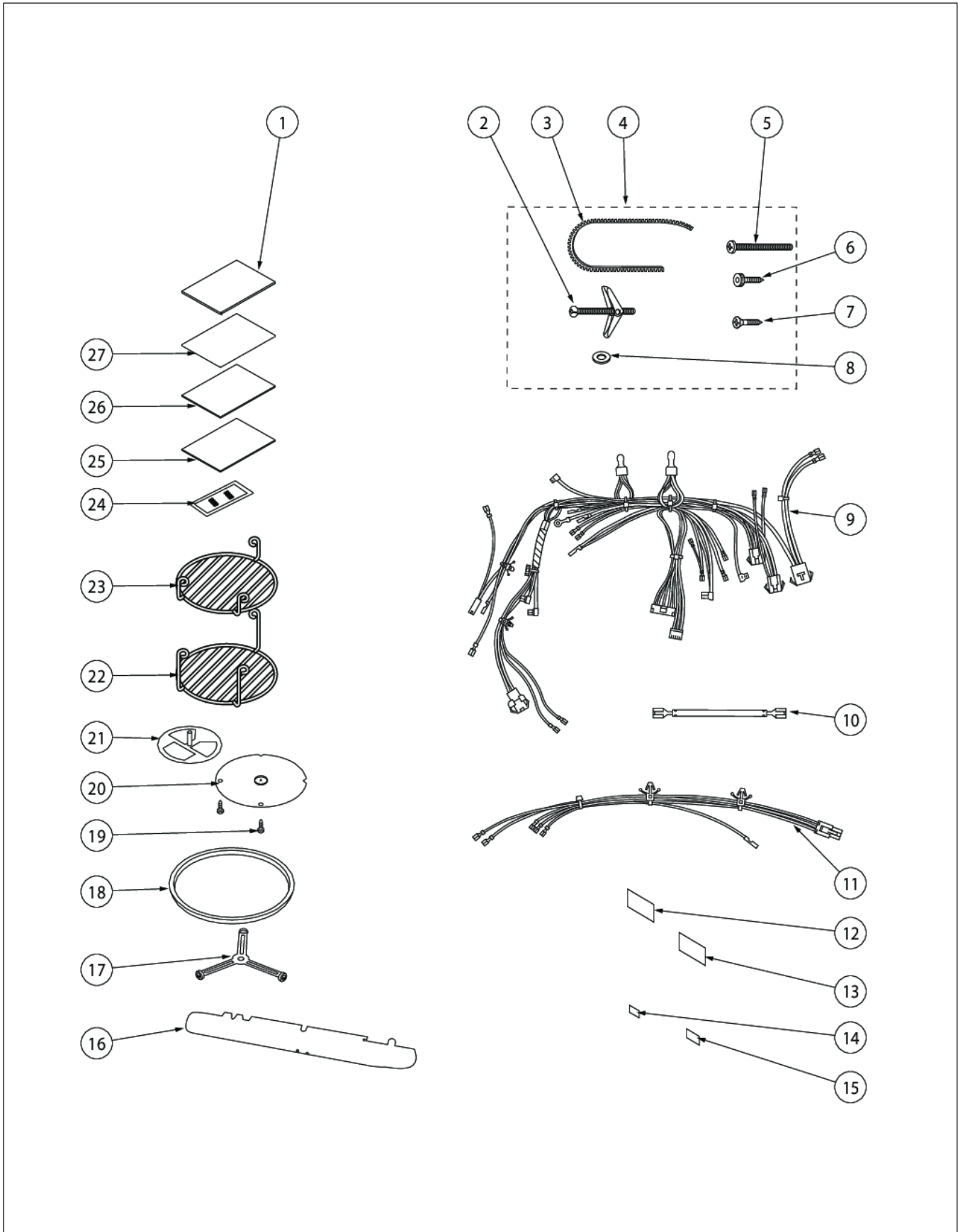
Item	Part No.	Name	Qty	Uom	NOTES
1	022480-000	DOOR FRAME	1	EA	
2	PM110090	Door Panel Assembly	1	EA	
3	PM110093	Choke Cover	1	EA	
4	PM120116	Door Stopper (LSTPPB024MRF0)	1	EA	
5	022484-000	SCREW : 4MM X 8MM	6	EA	
6	PM120133	Latch Head (LSTPPB025MRF0)	1	EA	
7	PM120007	LATCH SPRING	1	EA	
8	PM120134	Door Cushion (PCUSUB073MRP0)	1	EA	
9	PM120033	SCREW ; CONTROL PANEL MTG.	3	EA	
10	038772-000	NAMEPLATE, DSNR D3, SMALL	1	EA	

ELECTRIC COMPONENTS



Item	Part No.	Name	Qty	Uom	NOTES
1	PM100082	AH Sensor	1	EA	
2	019111-000	SCREW	5	EA	
3	PM100078	Hood Fan Motor	1	EA	
4	PM100076	Power Supply Cord	1	EA	
5	022386-000	STIRRER MOTOR	1	EA	
6	PM100016	OVEN TEMP FUSE	1	EA	
7	PM120146	SCREW : 4MM X 12MM	2	EA	
8	022271-000	SCREW : 4MM X 8MM	1	EA	
9	PM100044	H.V. Capacitor	1	EA	
10	PM100073	Magnetron	1	EA	
11	065213-000	Noise filter	1	EA	
12	PM100075	Monitor and Scodary Interlock Switch	1	EA	
13	PM120148	SCREW : 3MM X 14MM	1	EA	NO LONGER AVAILABLE, Not available online / Call for pricing and availability
14	PM100080	Fan Motor	1	EA	
15	062583-000	MICROSWITCH A	4	EA	
16	022389-000	DAMPER MOTOR	1	EA	
17	PM120002	SPECIAL SCREW	3	EA	
18	PM100074	Fuse Holder	1	EA	NO LONGER AVAILABLE
19	022390-000	HV TRANSFORMER	1	EA	
20	PM100086	Hood Lamp 40W	1	EA	
21	PM100081	Oven Lamp	2	EA	
21	PM100084	Noise Resistor	1	EA	
23	PM100018	LAMP SOCKET	3	EA	
24	PM100077	THERMISTOR	1	EA	
25	022393-000	SCREW : 3MM X 6MM	1	EA	
26	PM100069	TURNTABLE MOTOR	1	EA	
27	PM100079	CONVECTION MOTOR	1	EA	
28	PM100071	THERMAL CUTOOUT N.O. 60o C	1	EA	
29	022206-000	HIGH VOLTAGE RECTIFIER ASSEMBLY	1	EA	

MISC



Item	Part No.	Name	Qty	Uom	NOTES
1	022487-000	OPERATION MANUAL	1	EA	Not available online / Call for pricing and availability
2	PM120137	Toggle Screw (LX-BZ0195WRE0)	4	EA	NO LONGER AVAILABLE
3	PM120136	GROMMET (LBSHC0040MRE0)	1	EA	
4	PM120135	Installation Material Assembly (CFZK-B131MRK0)	1	EA	
5	PM120139	SCREW : 5mm X 60mm	2	EA	
6	PM120146	SCREW : 4MM X 12MM	1	EA	
7	PM120140	Screw, 5mm X 35mm	6	EA	NO LONGER AVAILABLE
8	022491-000	WASHER	1	EA	
9	022492-000	MAIN HARNESS A	1	EA	
10	022493-000	HIGH VOLTAGE WIRE A	1	EA	
11	PM100100	Main Harness - C	1	EA	NO LONGER AVAILABLE
12	022251-000	DHHS SERVICE CAUTION LABEL	1	EA	Not available online / Call for pricing and availability
13	022495-000	NHW CAUTION LABEL	1	EA	
14	PM120034	MONITOR CAUTION LABEL	1	EA	
15	005196-000	GND CAUTION LABEL	1	EA	NO LONGER AVAILABLE, Not available online / Call for pricing and availability
16	050588-000	HEAT DEFLECTOR	1	EA	
17	PM110075	Turntable Support Assembly	1	EA	
18	PM110076	Turntable Tray	1	EA	
NI	042555-000	METAL TRAY GASKET	1	EA	
19	PM120076	SCREW; 4MM X 10MM	2	EA	NO LONGER AVAILABLE
20	063786-000	STIRRER COVER ASSEMBLY	1	EA	
21	PM110078	Stirrer Fan Assembly	1	EA	
22	PM110094	High Rack	1	EA	
23	PM110095	Low Rack	1	EA	
24	PM110096	Charcoal Filter	1	EA	



Item	Part No.	Name	Qty	Uom	NOTES
25	022465-000	TOP TEMPLATE	1	EA	
26	022475-000	INSTALLATION INSTRUCTION	1	EA	Not available online / Call for pricing and availability
27	022499-000	WALL TEMPLATE	1	EA	

Item	Part No.	Name	Qty	Uom	NOTES
1	PM120076	SCREW; 4MM X 10MM	10	EA	NO LONGER AVAILABLE
2	022425-000	HOOD EXHAUST DUCT	1	EA	
3	PM120159	SCREW	9	EA	
4	PM120146	SCREW : 4MM X 12MM	32	EA	
5	022426-000	HEAT PROTECT TOP SHEET	1	EA	
6	PM120106	Exhaust Damper Assembly (FFTA-B004MRK0)	1	EA	
7	022428-000	TOP DUCT	1	EA	Not available online / Call for pricing and availability
8	PM120123	Heat Protect Top (PFPF-B003MREO)	1	EA	
9	PM100097	CORD BUSHING	1	EA	
10	PM120132	Heat Protect - Rear (PFPF-B004MRE0)	1	EA	NO LONGER AVAILABLE, Not available online / Call for pricing and availability
11	PM120002	SPECIAL SCREW	9	EA	
12	PM100090	Capacitor Holder	1	EA	
13	022271-000	SCREW : 4MM X 8MM	1	EA	
14	PM110086	End Cap Holder - Right	1	EA	
15	PM120003	SCREW	2	EA	
16	PM110016	ANGLE	1	EA	NO LONGER AVAILABLE
17	PM110083	Fan Blade	1	EA	
18	PM120109	FAN DUCT (FDUC-B065MRK0)	1	EA	NO LONGER AVAILABLE
19	PM120128	Cushion (PCUSUB035MRP0)	1	EA	NO LONGER AVAILABLE
20	PM120121	Magnetron Duct (PDUC-B058MRF0)	1	EA	NO LONGER AVAILABLE
21	057735-000	LATCH HOOK	1	EA	
22	PM120006	SWITCH LEVER	1	EA	
23	PM120111	Cushion (PCUSGB030MRP0)	1	EA	
24	022418-000	CAVITY CUSHION	2	EA	
25	PM110087	Thermal Cover Bottom	1	EA	

Item	Part No.	Name	Qty	Uom	NOTES
26	PM100092	COUPLING	1	EA	
27	PM120131	Heat Protect - Bottom (PFPP-B005MRE0)	1	EA	
28	PM110089	Oven Light Screen	1	EA	
29	022306-000	SILCON PACKING	1	EA	
30	NON SERVICEABLE	OVEN CAVITY	1	EA	
31	PM110084	End Cap Holder - Left	1	EA	
32	PM120147	SCREW (LX-CZB020MRE0)	2	EA	
33	022449-000	HOOD INTAKE DUCT L	1	EA	
34	PM120118	Cushion (PCUSGB027MRP0)	1	EA	
35	022451-000	SCREW : 4MM X 8MM	1	EA	
36	022452-000	EXHAUST DUCT	1	EA	
37	022453-000	CUSHION	1	EA	
38	PM110088	OVEN LAMP COVER	1	EA	



Appendix A:Pages Index

CABINET AREA 1
CONTROL PANEL AREA 2
CONVECTION FAN ASSEMBLY 3
DOOR ASSEMBLY 4
ELECTRIC COMPONENTS 5
MISC 6
OVEN PARTS 7



Appendix B:Parts Index

005196-000	6	022484-000	4
019111-000	5	022487-000	6
022206-000	5	022491-000	6
022251-000	6	022492-000	6
022271-000	5, 7	022493-000	6
022306-000	7	022495-000	6
022386-000	5	022499-000	6
022389-000	5	038772-000	4
022390-000	5	042555-000	6
022393-000	3, 5	050588-000	6
022394-000	3	057735-000	7
022397-000	1	062583-000	5
022398-000	1	063778-000	1
022399-000	1	063786-000	6
022405-000	1	063788-000	1
022407-000	1	065213-000	5
022409-000	1	PM100016	5
022410-000	1	PM100018	5
022412-000	1	PM100044	5
022418-000	1, 7	PM100069	5
022422-000	1	PM100071	5
022425-000	7	PM100073	5
022426-000	7	PM100074	5
022428-000	7	PM100075	5
022449-000	7	PM100076	5
022451-000	7	PM100077	3, 5
022452-000	7	PM100078	5
022453-000	7	PM100079	3, 5
022456-000	3	PM100080	5
022457-000	3	PM100081	5
022458-000	3	PM100082	5
022459-000	3	PM100084	5
022462-000	3	PM100086	5
022463-000	3	PM100087	2
022464-000	3	PM100089	2
022465-000	6	PM100090	7
022467-000	3	PM100091	3
022474-000	3	PM100092	7
022475-000	6	PM100093	3
022480-000	4	PM100096	3
		PM100097	7



PM100100	6	PM120123	7
PM110016	7	PM120125	1
PM110064	1	PM120128	1, 1, 7
PM110067	1	PM120129	1
PM110068	1	PM120130	1
PM110070	1	PM120131	7
PM110075	6	PM120132	7
PM110076	6	PM120133	4
PM110078	6	PM120134	4
PM110080	3	PM120135	6
PM110083	7	PM120136	6
PM110084	7	PM120137	6
PM110085	1	PM120139	6
PM110086	7	PM120140	6
PM110087	7	PM120146	1, 2, 5, 6, 7
PM110088	7	PM120147	7
PM110089	7	PM120148	5
PM110090	4	PM120149	1
PM110093	4	PM120153	1
PM110094	6	PM120154	3
PM110095	6	PM120155	3
PM110096	6	PM120156	3
PM120002	5, 7	PM120157	3
PM120003	7	PM120159	1, 1, 7
PM120006	7		
PM120007	4		
PM120030	1		
PM120033	1, 4		
PM120034	6		
PM120044	2		
PM120076	6, 7		
PM120103	2		
PM120105	2		
PM120106	7		
PM120109	7		
PM120111	7		
PM120114	1		
PM120115	1		
PM120116	4		
PM120118	7		
PM120121	7		