

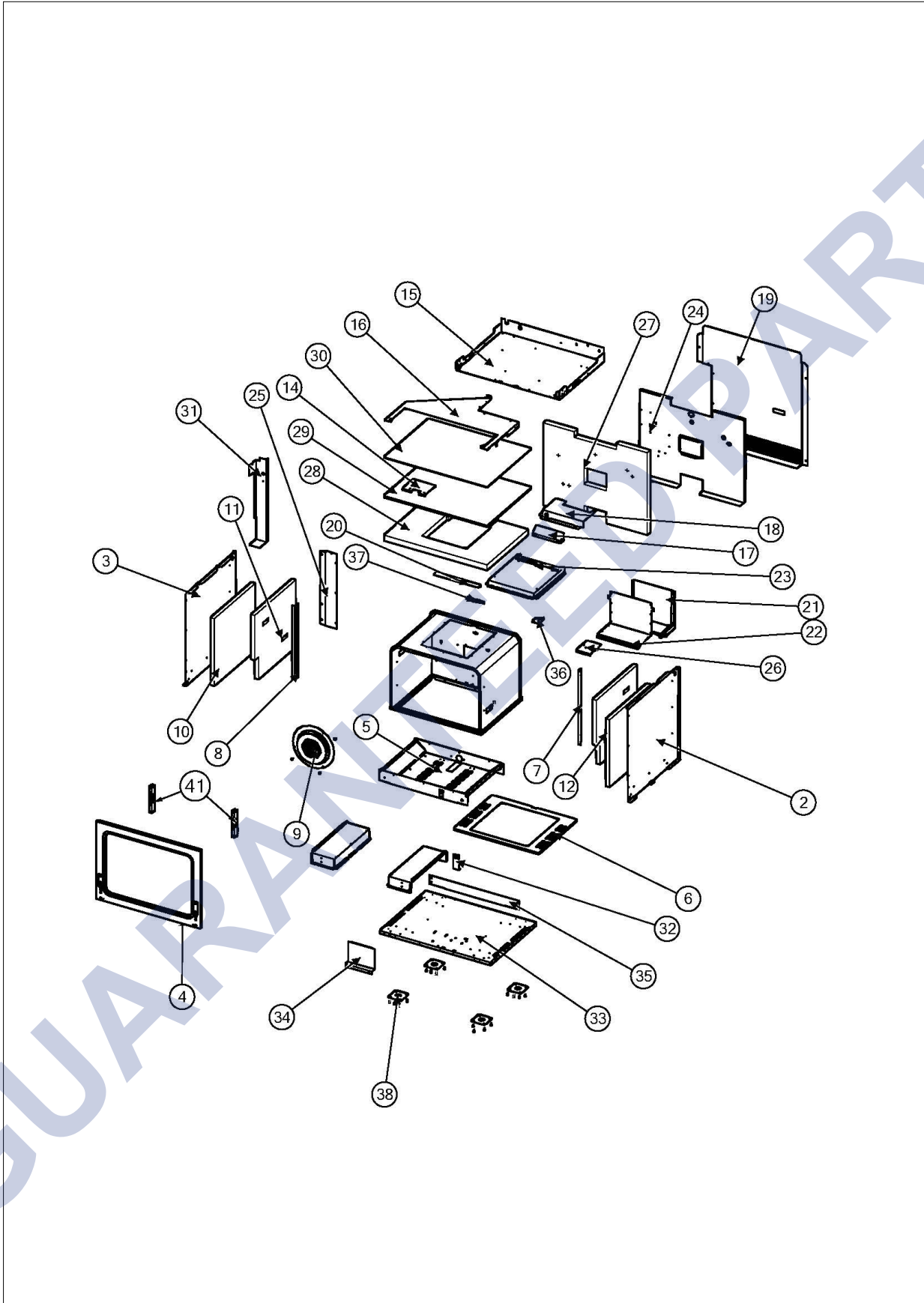
RVGR3305B

GUARANTEED PARTS

BASE 1
SURFACE 2
GAS 3
DECOR 4
CONTROL 5
DOOR 6
ELECTRICAL 7
Appendix A:Pages Index A
Appendix B:Parts Index B

GUARANTEED PARTS

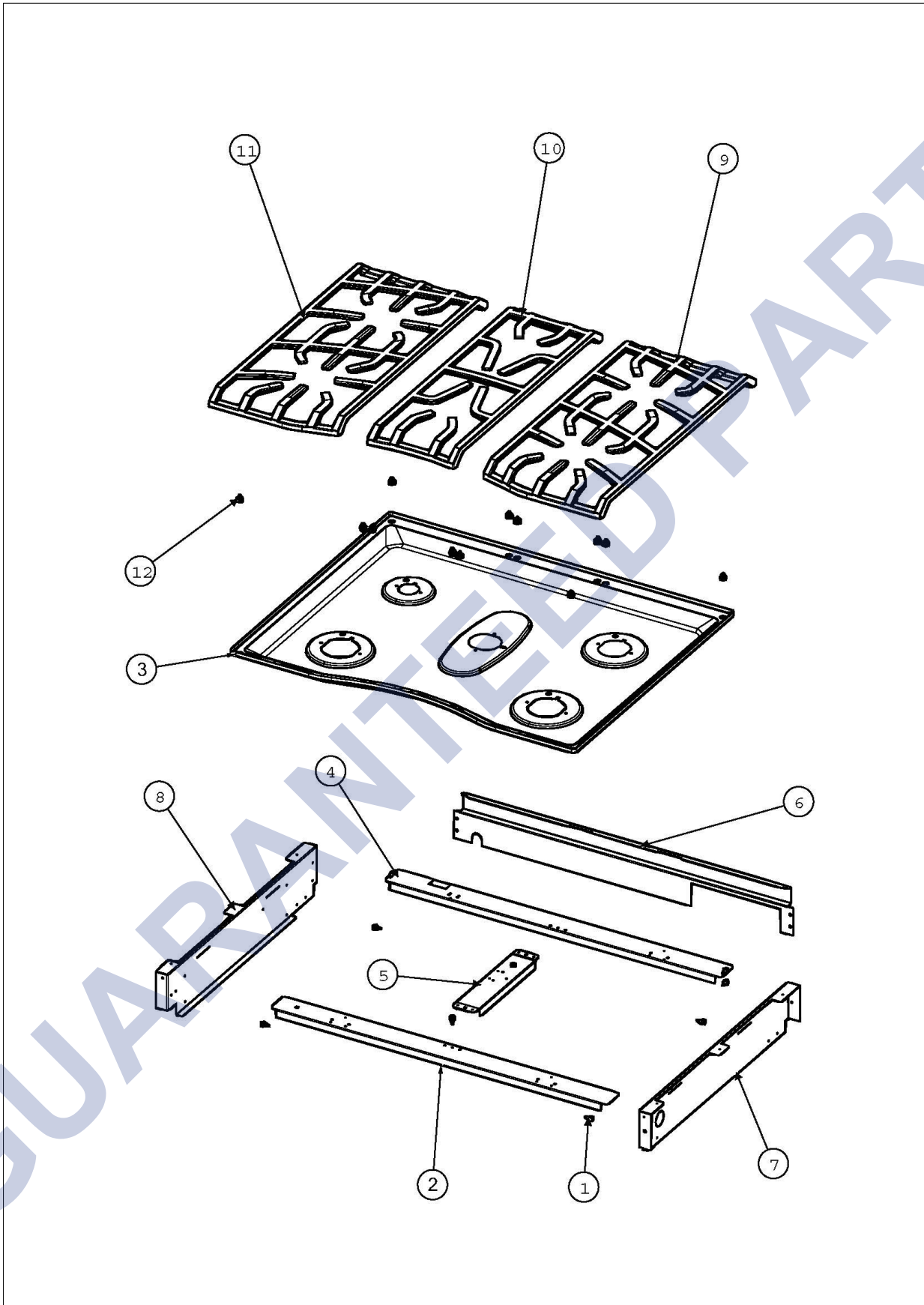
BASE



Item	Part No.	Name	Qty	Uom	NOTES
1	003860-000	10-18 x .500 FASTNR,SCR,HXWH,STL,ZPLT	101	EA	
2	013659-000	INSULATION, PNL, SIDE, RH	1	EA	
3	013660-000	INSULATION, PNL, SIDE, LH	1	EA	
4	014502-000	FRONT, FRAME, DCCG130	1	EA	
5	014748-402	BURNER PAN ASM, BK PORC	1	EA	Not available online / Call for pricing and availability
6	066203-000	ASM, BOTTOM, CAVITY, OVEN, GAS, 30"	1	EA	
7	019175-000	BRACKET, SIDE, RH	1	EA	
8	019176-000	BRACKET, SIDE, LH	1	EA	
9	021225-402	COVER, CNVN, ASM, BK PORC	1	EA	
9	021225-403	COVER, CNVN, ASM, GY PORC	1	EA	
10	023578-000	INSULATION, SIDE, OUTER	2	EA	Not available online / Call for pricing and availability
11	023579-000	INSULATION, SIDE, LEFT	1	EA	
12	023580-000	INSULATION, SIDE, RIGHT	1	EA	
13	066225-402	GUIDE, RACK, RH- BK	1	EA	
14	030985-000	LATCH MOUNT	1	EA	
15	031014-000	RETAINER, TOP INSULATION, RDSCG, 30"	1	EA	Not available online / Call for pricing and availability
16	031015-000	AIR DUCT, D3	1	EA	
17	031030-000	FAN DEFLECTOR	1	EA	
18	031034-000	COVER, FAN	1	EA	
19	031320-000	BACK, OVEN, D3	1	EA	
20	031445-402	BRACE, OVEN, BOTTOM, BACK W/BK PORC	1	EA	
21	031673-000	BOTTOM, GAS DUCT, D3	1	EA	
22	031674-000	TOP, GAS DUCT, D3	1	EA	
23	031678-000	BROIL BURNER BOX, D3	1	EA	
24	031777-000	PANEL, BACK INSULATION	1	EA	Not available online / Call for pricing and availability

Item	Part No.	Name	Qty	Uom	NOTES
25	031831-000	ACCESS COVER, REGULATOR	1	EA	
26	033198-000	TRAY, REGULATOR	1	EA	
27	033583-000	INSULATION, BACK, D3, 30"	1	EA	
28	033585-000	INSULATION, TOP	1	EA	
29	033586-000	INSULATION, TOP PAD	1	EA	
30	033588-000	INSULATION, TOP FOIL BACK	1	EA	
31	035230-000	BACK SUPPORT BRACKET	1	EA	
32	035322-000	BRACKET, ORIFICE, BAKE, D3	1	EA	
33	040971-000	BOTTOM, MAIN, 30"	1	EA	
34	042133-000	SHIELD, HEAT, FR	1	EA	
35	042178-000	SHIELD, HEAT, REAR	1	EA	
36	A20012649	DOOR SWITCH BRACKET	1	EA	
37	A2004428	REAR BOTTOM BRCKT (VGSC306)	1	EA	
38	PC030007	PLATE,LEG	4	EA	
39	PD020048	NO.10 X 1/2 TEK 410 SS SCREW	46	EA	
40	PD020232	#8 X 3/4" PH PAN HEAD TEK SCREW (BLACK OXIDE)	3	EA	
41	031679-000	RECEPTACLE, HINGE	2	EA	
NI	049133-000	BRACE, FRONT, BURNER BOX	1	EA	

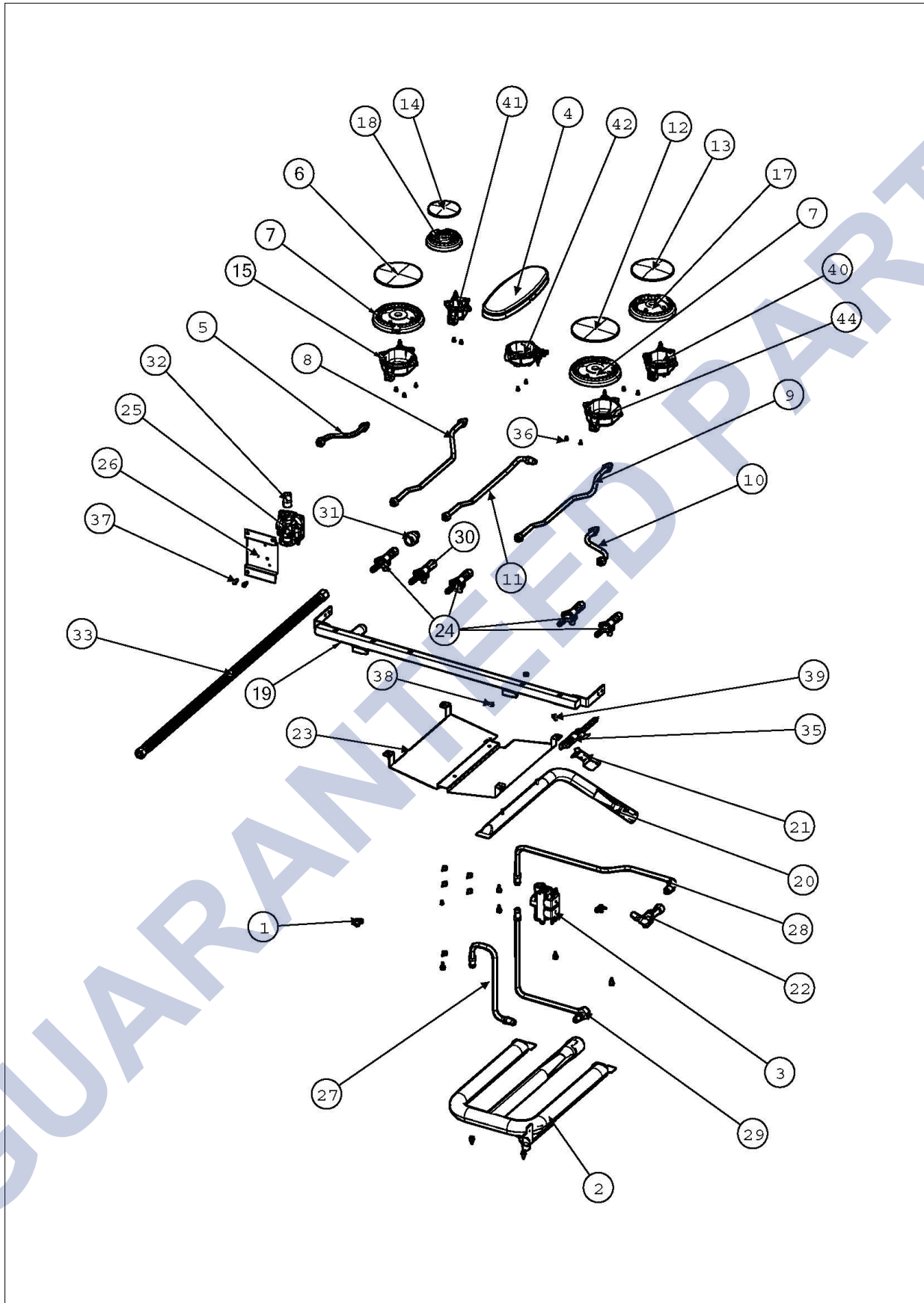
SURFACE



Item	Part No.	Name	Qty	Uom	NOTES
1	003860-000	10-18 x .500 FASTNR,SCR,HXWH,STL,ZPLT	10	EA	
2	043698-000	BURNER CHANNEL, FRONT	1	EA	
3	043681-402	TOP, RANGE, 30"	1	EA	
4	031004-000	BURNER CHANNEL REAR	1	EA	
5	031005-000	CENTER BURNER CHANNEL	1	EA	
6	031023-000	SUPPORT, REAR BURNER BOX	1	EA	
7	031073-000	PANEL, SIDE, RH	1	EA	
8	031074-000	PANEL, SIDE, LH	1	EA	
9	052954-000	D3 RH GRATE ASM	1	EA	
10	031225-000	D3 CENTER GRATE ASM	1	EA	
11	052966-000	D3 LH GRATE ASM	1	EA	
12	031430-000	GRATE, FOOT	12	EA	

GUARANTEED PARTS

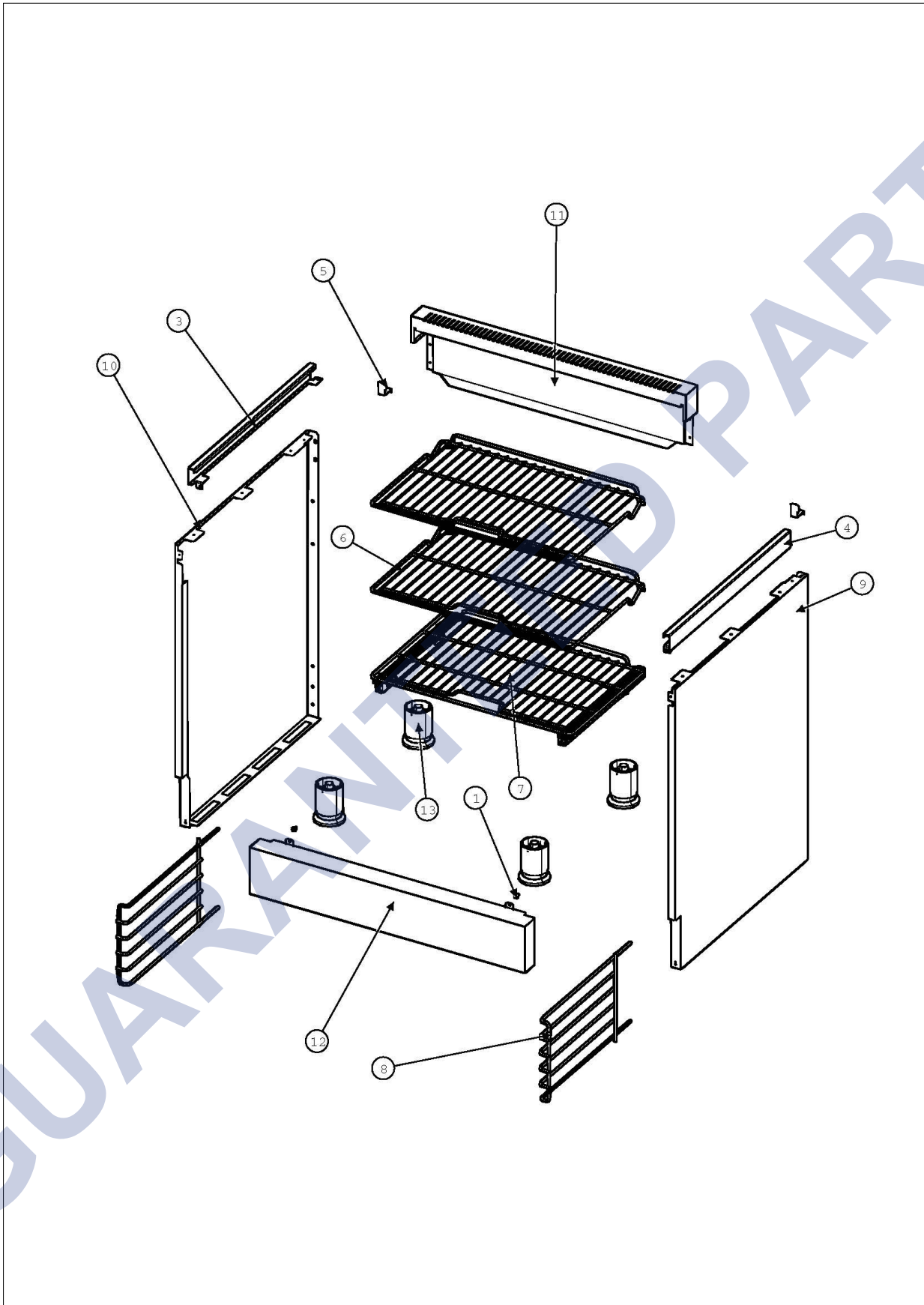
GAS



Item	Part No.	Name	Qty	Uom	NOTES
1	003860-000	10-18 x .500 FASTNR,SCR,HXWH,STL,ZPLT	13	EA	
2	005329-000	BURNER, OVEN, ASM	1	EA	
2	005330-000	BURNER, OVEN, ASM (LP)	1	EA	
3	009112-000	VALVE, SOL, DOUBLE	1	EA	
4	030984-000	FISH BNR, 9200 BTU	1	EA	
5	031393-000	RF BURNER TUBING	1	EA	
6	031412-000	BNR CAP, ULTRARAPID, 18000 BTU	1	EA	
7	031416-000	BNR HEAD, ULTRARAPID, 18000 BTU	2	EA	
8	031388-000	LR BURNER TUBE	1	EA	
9	031392-000	RR BURNER TUBING	1	EA	
10	031393-000	RF BURNER TUBING	1	EA	
11	072465-000	TUBING, FLEX, SST, 5/16 OD X 16"	1	EA	
12	031412-000	BNR CAP, ULTRARAPID, 18000 BTU	1	EA	
13	031413-000	BNR CAP, RAPID, 12000 BTU	1	EA	
14	031414-000	BNR CAP, SIMIRAPID, 80000 BTU	1	EA	
15	043672-000	BNR BASE, ULTRARAPID	1	EA	
17	031417-000	BNR HEAD, RAPID, 12000 BTU	1	EA	
18	031418-000	BNR HEAD, SEMIRIPID, 8000 BTU	1	EA	
19	049591-000	MANIFOLD, GAS, 30"	1	EA	
20	031899-000	BURNER, BROIL, ASM	1	EA	
21	031701-000	ELECTRODE BRACKET	1	EA	Not available online / Call for pricing and availability
22	031729-000	VALVE ORIFICE FITTING, BROIL	1	EA	
23	031766-000	BAFFLE, BROIL BURNER	1	EA	
24	031804-000	VALVE, BURNER, TOP, NAT	4	EA	
25	031818-000	REGULATOR, DUAL OUTLET	1	EA	
25	041183-000	DUAL OUTLET REGULATOR LP	1	EA	
26	031821-000	BRACKET, REGULATOR MTG	1	EA	

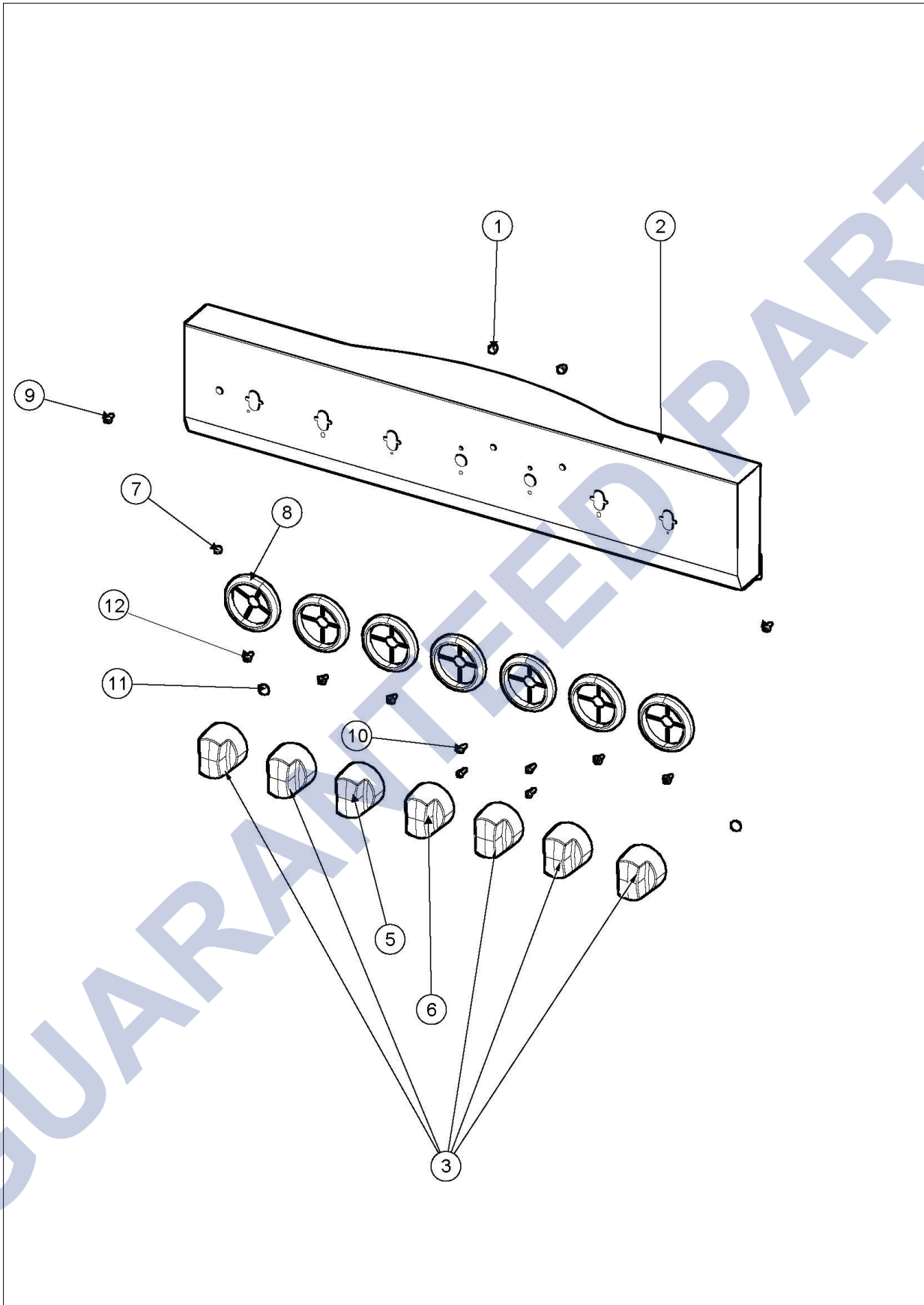
Item	Part No.	Name	Qty	Uom	NOTES
27	031853-000	TUBING, OVEN REGULATOR	1	EA	
28	031855-000	TUBING, BROIL, D3	1	EA	Not available online / Call for pricing and availability
29	031857-000	TUBING, BAKE, D3	1	EA	NO LONGER AVAILABLE
30	031804-000	VALVE, BURNER, TOP, NAT	1	EA	
31	034765-000	1/2" FEMALE PIPE TO 1/2" COMPRESSION FITTING	1	EA	
32	035216-000	ADAPTOR, 3/8 NPT TO 1/2 COMP.	1	EA	
33	039215-000	TUBING, FLEX, SST, 32" REPLACES 031830-000	1	EA	
35	PB040170	BAKE IGNITION ELECTRODE	1	EA	
36	PD020006	' #6-32 X 1/4" PH.PAN HD. T(F)	12	EA	
37	PD020261	' #8-32X1/2" PH PANHEAD MACH. SCREW	2	EA	
38	PD030044	10-24 KEPS NUT SS	2	EA	
39	PD020004	10X3/8PH.HD.TYPE 25 REPL PD040125	1	EA	
40	030973-000	BNR BASE, RAPID, 12000 BTU	1	EA	
41	030974-000	BNR BASE, SEMIRAPID, 8000 BTU	1	EA	
42	030977-000	BNR BASE, FISH, 9200 BTU	1	EA	
44	031022-000	BNR BASE, ULTRARAPID, 18000 BTU	1	EA	
NI	043850-000	RANGES LP TOP BURNER ORIFICES	1	EA	

DECOR



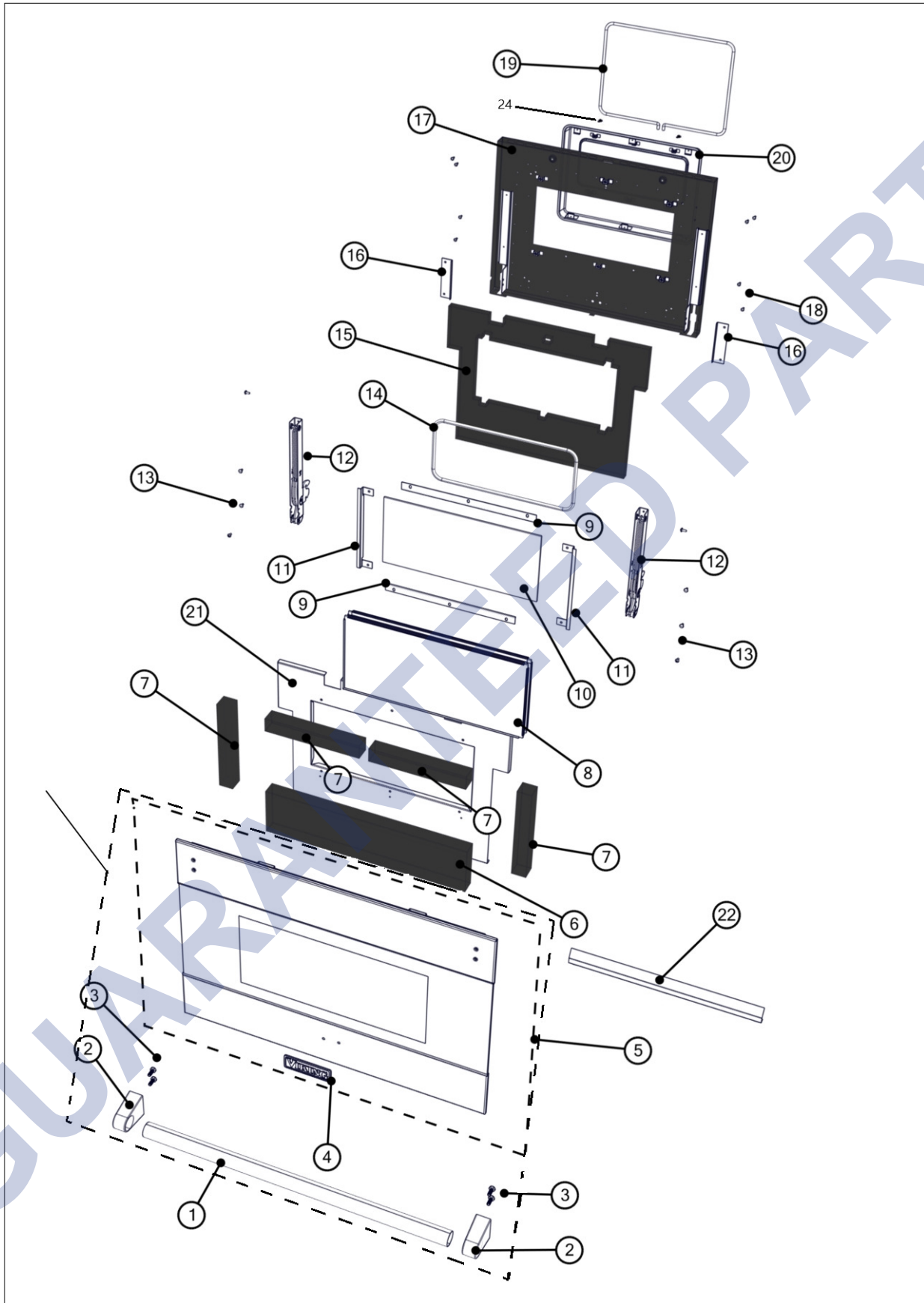
Item	Part No.	Name	Qty	Uom	NOTES
1	003801-000	SHOULDER SCREW, #10	2	EA	
2	003860-000	10-18 x .500 FASTNR,SCR,HXWH,STL,ZPLT	14	EA	
3	013986-000	TRIM, SIDE, RT, D130	1	EA	
4	014543-000	TRIM, SIDE, LF, DESIGNER	1	EA	
5	015106-000	SIDE TRIM SUPPORT	2	EA	
6	027922-000	RACK, OVEN, GAS, 30	2	EA	
7	051818-000	RACK, GLIDE, GAS 30"	1	EA	
8	066225-402	GUIDE, RACK, RH- BK	2	EA	
9	032813-000	PNL, SIDE, RH, D3 - SS	1	EA	
9	035006-002	PNL, SIDE, RH, D3 - BK	1	EA	
9	035006-006	PNL, SIDE, RH, D3 - WH	1	EA	
10	032816-000	PNL, SIDE, LH, D3 - SS	1	EA	
10	035005-002	PNL, SIDE, LH, D3 - BK	1	EA	
10	035005-006	PNL, SIDE, LH, D3 - WH	1	EA	
11	032965-000	D3 ISLAND TRIM ASM	1	EA	
12	042571-000	KICKPLATE, RVGR 30"	1	EA	
12	042717-002	KICKPLATE, DCBZ, RVGR3305B PAINTED BK	1	EA	
12	042717-006	KICKPLATE, DCBZ, RVGR3305B PAINTED WH	1	EA	
13	044178-000	RANGE, LEG, ADJUSTABLE	4	EA	
14	PD020032	SRW-8(A)X3/8"PH.WFR HD 7/16DIA*NICL	2	EA	
15	PD020232	#8 X 3/4" PH PAN HEAD TEK SCREW (BLACK OXIDE)	4	EA	

CONTROL



Item	Part No.	Name	Qty	Uom	NOTES
1	085982-000	LENS, CONVEX, BLUE	2	EA	PART NO LONGER HAS BEZEL. REPLACE ALL IF ORIGINAL HAS BEZEL.
2	039090-2393	PANEL, CTRL, RDSCD/RDSCG230 ASSY	1	EA	
	NOTE	MUST ORDER PART NUMBER 036576-000 WITH PANEL			
3	042263-000	KNOB, GAS VALVE, RANGE, D3PO, ASSY	5	EA	
	NOTE	(BEFORE 08/08/13)			
3	042658-000	KNOB, BNR, TOP, PRO, CR3	5	EA	
	NOTE	(ON OR AFTER 08/08/13)			
5	042265-000	KNOB, SEL, GAS, RANGE, D3PO, ASSY	1	EA	
	NOTE	(BEFORE 09/10/13)			
5	035887-000	KNOB,OVN,SEL, PRO VGSC CR3	1	EA	
	NOTE	(ON OR AFTER 09/10/13)			
6	042266-000	KNOB, TSTAT, RANGE, D3PO, ASSY	1	EA	
	NOTE	(BEFORE 09/10/13)			
6	035893-000	KNOB, OVEN, TSTAT, PRO CR3	1	EA	
	NOTE	(ON OR AFTER 09/10/13)			
7	PA010093	DESIGNER OVEN LT SWITCH KNOB	1	EA	
8	072789-000	BEZEL, KNOB	7	EA	
9	PD020046	#8 X 1/2 SCREWS	2	EA	
10	PD020269	#8 PAN HEAD SCREW	4	EA	
11	PD040004	GROMMET BUMPER	2	EA	
12	064534-000	SCREW, 6-20 X .552" LG	10	EA	

DOOR

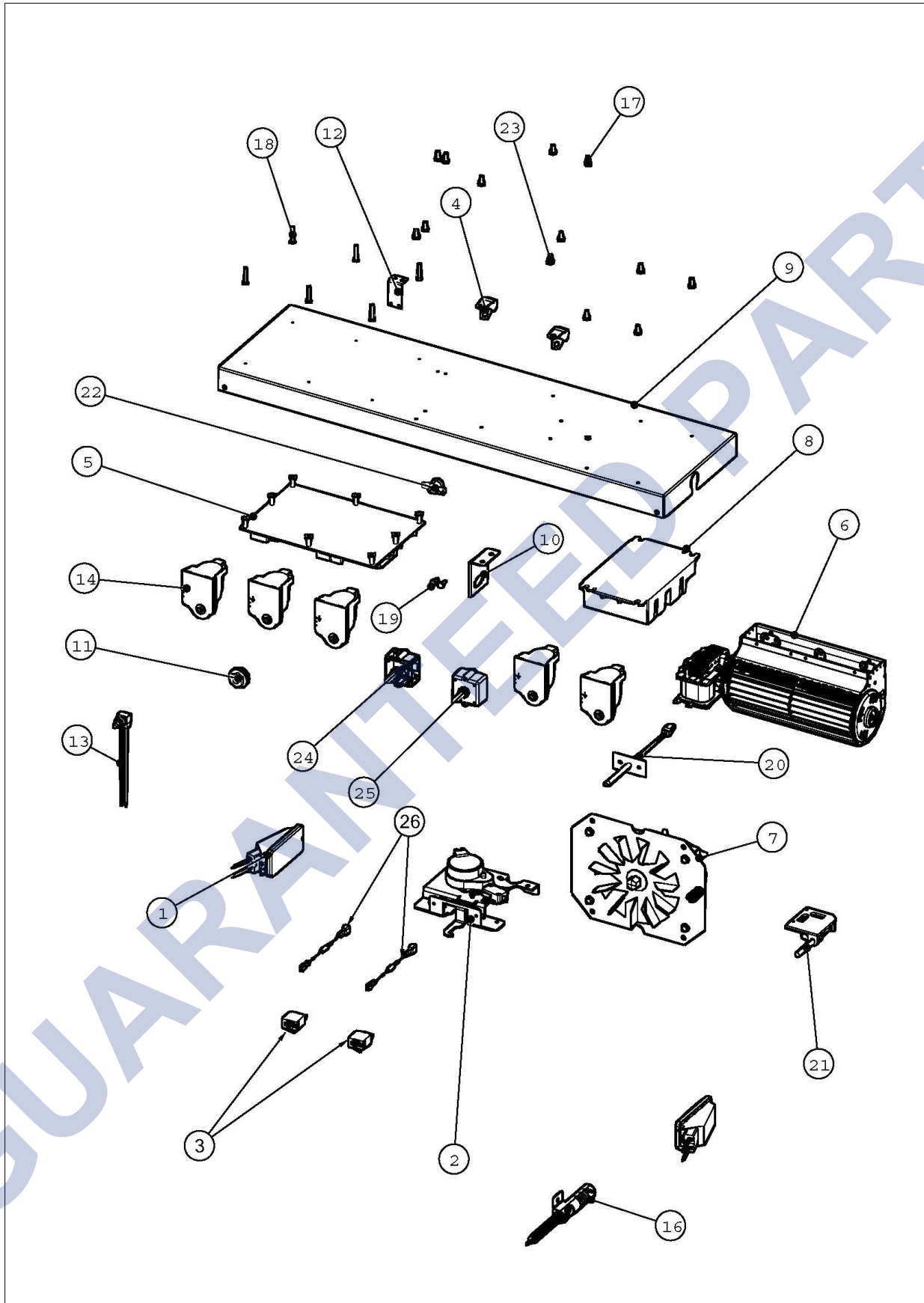


Item	Part No.	Name	Qty	Uom	NOTES
1	035590-000	W/O DF GAS SS HANDLE	1	EA	
2	026965-000	END CAP, ASM, DOOR HANDLE	2	EA	
3	014221-000	1/4-20 X .625 HEX 316 SS	4	EA	
4	041992-000	VIKING LOGO	1	EA	
5	042068-000	DOOR, OUTER, D3PO, 30", SS, VIKING, ASSY - SS	1	EA	
5	042083-002	DOOR, OUTER, D3PO, 30", SS, VIKING, ASSY - BK	1	EA	
5	042083-006	DOOR, OUTER, D3PO, 30", SS, VIKING, ASSY - WH	1	EA	
6	005490-000	INSULATION, PLUG, DOOR, LOWER	1	EA	
7	005491-000	INSULATION, PLUG, DOOR, SIDE	4	EA	
8	PE060064	WINDOW PACK, SELF CLEANING OVEN 30"	1	EA	
9	A2007943	GLASSPACK BRACKET, LARGE	2	EA	
10	PE060039	GLASS-HEAT TREATED (HB2) VDSC	1	EA	
11	007583-000	BRACKET, GLASS	2	EA	
12	036279-000	HINGE, DOOR, GAS, BLACK SPRING	1	EA	
13	PD020002	10 X 1/2 PH.TR.HD.SMS.	4	EA	
14	000594-000	BLACK FIBERGLASS ROPE	1	EA	
15	005475-000	DOOR INSULATION	1	EA	
16	A2002189	DOOR GLASS STANDOFF (VDSC)	2	EA	
17	035609-402	DOOR PLUG ASM, BK PORC	1	EA	
18	PD020014	10X3/4 PH TR HD SMS	12	EA	
19	000042-000	30" DOOR GASKET	1	EA	
20	004691-402	LINER, DOOR ASM, BK PORC	1	EA	
21	004688-000	DOOR PANEL INSULATION LINER	1	EA	
22	015865-000	COVER, SCREW, DOOR, DCCG130-4B	1	EA	
23	042498-000	DOOR, OTR, VIKING, 30, SS ASSY W/ HANDLE	1	EA	
23	042499-002	DOOR, OTR, VIKING, 30, BK ASSY W/HANDLE	1	EA	

Item	Part No.	Name	Qty	Uom	NOTES
23	042499-006	DOOR, OTR, VIKING, 30, WH ASSY W/HANDLE	1	EA	
24	PD020063	SCREW-#8(A) X 3/8"PH WFR HD/BK OXID	2	EA	

GUARANTEED PARTS

ELECTRICAL



Item	Part No.	Name	Qty	Uom	NOTES
1	068653-601	LIGHT, 120V/25W, G9, HALOGEN, SIDE	2	EA	
2	012565-000	LATCH, DOOR, ASM, 120V, LOCKED POSITION	1	EA	
3	043135-000	HOUSING, LIGHT, LED, BLUE, 3.3V	2	EA	
4	015208-000	Clip, Wiring 3/8"	2	EA	Not available online / Call for pricing and availability
5	015981-000	CONTROL,BD,EOC2 GAS SELF CLEAN	1	EA	
6	080971-000	FAN,COOLING,SINGLE, 120V, 60 x 180MM	1	EA	
7	023090-000	MOTOR, CONV ASM	1	EA	
8	023651-000	DSI120-2-LVS	1	EA	
9	033529-000	PLATE, MTG, COMP.	1	EA	
10	033668-000	BRACKET, DISCONNECT	1	EA	
11	036576-000	LIGHT SWITCH ASM	1	EA	
12	A20014089	DISC BRACKET	1	EA	
13	G40015469	LIGHT SWITCH ASSEMBLY	1	EA	
14	PA020058	IRIS SINGLE SPARK MODULE See TC-0143-SP before ordering	4	EA	See TC-0143-SP before ordering
16	PB040170	BAKE IGNITION ELECTRODE	2	EA	
	NOTE	(FOR BROIL AS WELL)		EA	
17	PD020010	10 X 3/8 GREEN GROUNDING SCREW	1	EA	
18	PD020043	#6-32 X .750 PH. CTRSK T(F)-VGSO166	6	EA	
19	PD020067	#6 X 3/8" PAN PHIL. TEK *SS*	2	EA	
20	PE050206	RTD THERMOSTAT PROBE	1	EA	
21	PE050208	DOOR SWITCH	1	EA	
22	PJ030039	BI-METAL THERMOSTAT 275 DEGREES	1	EA	
23	PD020004	10X3/8PH.HD.TYPE 25 REPL PD040125	12	EA	
24	PJ030034	SELECTOR (6 POS)	1	EA	
25	PJ030035	THERMOSTAT	1	EA	

Item	Part No.	Name	Qty	Uom	NOTES
26	021319-000	*SEE 027543-000* HARNESS, ADPT, LED, 125V TO 2V	2	EA	
NI	000647-000	IRIS IGNITOR WIRE, FRONT BURNER	2	EA	
NI	043660-000	HARNESS, MAIN, RVGR GAS	1	EA	
NI	004133-000	CONTROL PANEL HARNESS	1	EA	
NI	024606-000	WIRE, BAKE, ELECTRODE, ASM	2	EA	
	NOTE	(FOR BROIL AS WELL)		EA	
NI	006766-000	IRIS IGNITOR WIRE, BACK BURNER	3	EA	
NI	043678-000	IRIS HARNESS RVGR	1	EA	

GUARANTEED PARTS

Appendix A:Pages Index

BASE	1
CONTROL	5
DECOR	4
DOOR	6
ELECTRICAL	7
GAS	3
SURFACE	2

GUARANTEED PARTS

Appendix B:Parts Index

000042-000	6	027922-000	4
000594-000	6	030973-000	3
000647-000	7	030974-000	3
003801-000	4	030977-000	3
003860-000	1, 2, 3, 4	030984-000	3
004133-000	7	030985-000	1
004688-000	6	031004-000	2
004691-402	6	031005-000	2
005329-000	3	031014-000	1
005330-000	3	031015-000	1
005475-000	6	031022-000	3
005490-000	6	031023-000	2
005491-000	6	031030-000	1
006766-000	7	031034-000	1
007583-000	6	031073-000	2
009112-000	3	031074-000	2
012565-000	7	031225-000	2
013659-000	1	031320-000	1
013660-000	1	031388-000	3
013986-000	4	031392-000	3
014221-000	6	031393-000	3, 3
014502-000	1	031412-000	3, 3
014543-000	4	031413-000	3
014748-402	1	031414-000	3
015106-000	4	031416-000	3
015208-000	7	031417-000	3
015865-000	6	031418-000	3
015981-000	7	031430-000	2
019175-000	1	031445-402	1
019176-000	1	031673-000	1
021225-402	1	031674-000	1
021225-403	1	031678-000	1
021319-000	7	031679-000	1
023090-000	7	031701-000	3
023578-000	1	031729-000	3
023579-000	1	031766-000	3
023580-000	1	031777-000	1
023651-000	7	031804-000	3, 3
024606-000	7	031818-000	3
026965-000	6	031821-000	3
		031831-000	1

031853-000	3	042498-000	6
031855-000	3	042499-002	6
031857-000	3	042499-006	6
031899-000	3	042571-000	4
032813-000	4	042658-000	5
032816-000	4	042717-002	4
032965-000	4	042717-006	4
033198-000	1	043135-000	7
033529-000	7	043660-000	7
033583-000	1	043672-000	3
033585-000	1	043678-000	7
033586-000	1	043681-402	2
033588-000	1	043698-000	2
033668-000	7	043850-000	3
034765-000	3	044178-000	4
035005-002	4	049133-000	1
035005-006	4	049591-000	3
035006-002	4	051818-000	4
035006-006	4	052954-000	2
035216-000	3	052966-000	2
035230-000	1	064534-000	5
035322-000	1	066203-000	1
035590-000	6	066225-402	1,4
035609-402	6	068653-601	7
035887-000	5	072465-000	3
035893-000	5	072789-000	5
036279-000	6	080971-000	7
036576-000	7	085982-000	5
039090-2393	5	A20012649	1
039215-000	3	A20014089	7
040971-000	1	A2002189	6
041183-000	3	A2004428	1
041992-000	6	A2007943	6
042068-000	6	G40015469	7
042083-002	6	PA010093	5
042083-006	6	PA020058	7
042133-000	1	PB040170	3,7
042178-000	1	PC030007	1
042263-000	5	PD020002	6
042265-000	5	PD020004	3,7
042266-000	5	PD020006	3

PD020010	7
PD020014	6
PD020032	4
PD020043	7
PD020046	5
PD020048	1
PD020063	6
PD020067	7
PD020232	1, 4
PD020261	3
PD020269	5
PD030044	3
PD040004	5
PE050206	7
PE050208	7
PE060039	6
PE060064	6
PJ030034	7
PJ030035	7
PJ030039	7

GUARANTEED PARTS