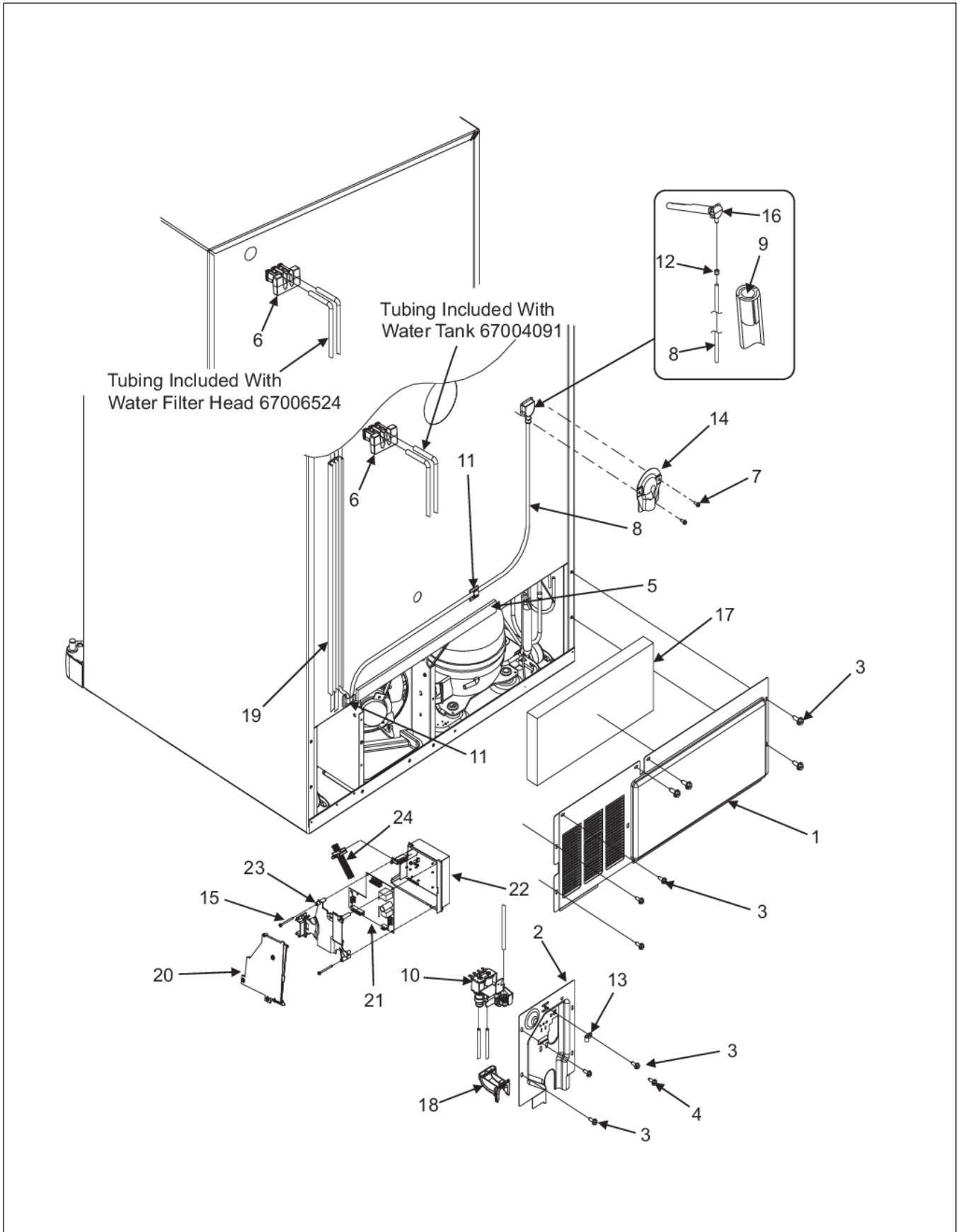


**VCFF036**

|                                      |    |
|--------------------------------------|----|
| CABINET BACK .....                   | 1  |
| COMPRESSOR .....                     | 2  |
| CONTROLS .....                       | 3  |
| CRISPER ASSEMBLY .....               | 4  |
| EVAPORATOR AREA AND ROLLERS .....    | 5  |
| FREEZER DOOR .....                   | 6  |
| HANDLES .....                        | 7  |
| ICE MAKER .....                      | 8  |
| INTERIOR CABINET .....               | 9  |
| LEFT REFRIGERATOR DOOR .....         | 10 |
| PANTRY ASSEMBLY .....                | 11 |
| REF DOOR STORAGE AND CTR HINGE ..... | 12 |
| REFRIGERATOR SHELVES .....           | 13 |
| RIGHT REFRIGERATOR DOOR .....        | 14 |
| WATER DISPENSER .....                | 15 |
| WIRING DIAGRAM .....                 | 16 |
| Appendix A:Pages Index .....         | A  |
| Appendix B:Parts Index .....         | B  |

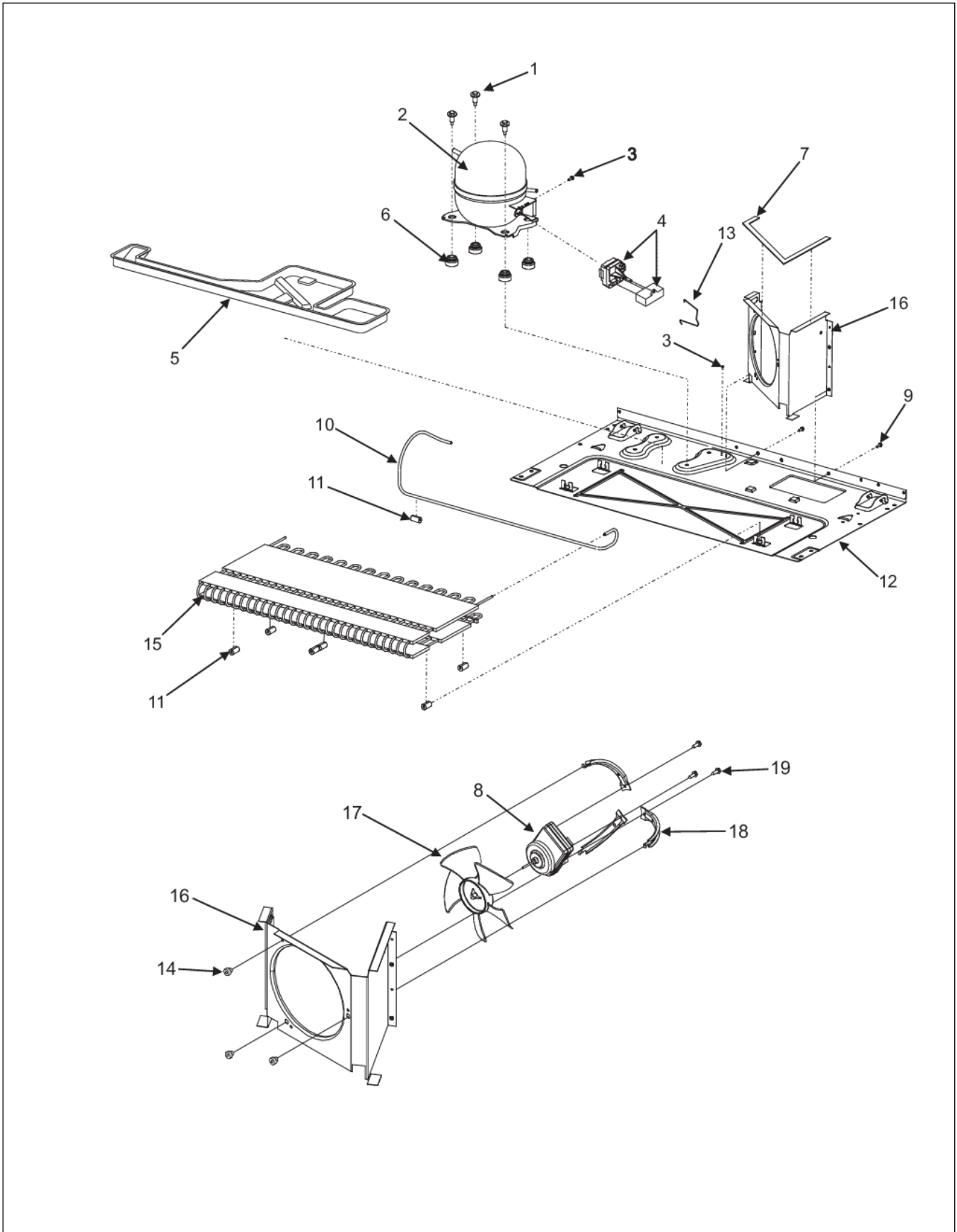
CABINET BACK



| Item | Part No. | Name                          | Qty | Uom | NOTES   |
|------|----------|-------------------------------|-----|-----|---|
| 1    | PS400172 | COVER, MC BACK (67006101)     | 1   | EA  |   |
| 2    | PS400173 | COVER, WATER VALVE (67004098) | 1   | EA  |   |
| 3    | PS400129 | SCREW, SMALL (67006425)       | 1   | EA  |   |
| 4    | PS400174 | SCREW, VALVE (67006662)       | 1   | EA  | NO LONGER AVAILABLE, Not available online / Call for pricing and availability |
| 5    | PS400175 | GASKET                        | 1   | EA  | NO LONGER AVAILABLE, Not available online / Call for pricing and availability |
| 6    | PS400176 | BLOCK, FILTER (67004092)      | 1   | EA  | NO LONGER AVAILABLE   |
| 7    | PS400013 | SCREW, DOOR STOP (67006287)   | 1   | EA  | NO LONGER AVAILABLE   |
| 8    | PS400177 | PLASTIC TUBE (B5705307)       | 1   | EA  |   |
| 9    | PS400178 | INSERT, TUBE                  | 1   | EA  |   |
| 10   | PS400179 | DUAL WATER VALVE (67006531)   | 1   | EA  |   |
| 11   | PS400180 | CLIP                          | 1   | EA  |   |
| 12   | PS400181 | CLIP, SPEED (M0114003)        | 1   | EA  |   |
| 13   | PS400182 | CLAMP, TUBE                   | 1   | EA  | NO LONGER AVAILABLE   |
| 14   | PS400183 | COVER, WATER LINE (67003331)  | 1   | EA  | NO LONGER AVAILABLE, Not available online / Call for pricing and availability |
| 15   | PS400184 | SCREW, HV BOX (67006550)      | 1   | EA  |   |
| 16   | PS400185 | ELBOW, FILL TUBE              | 1   | EA  |   |
| 17   | PS400186 | ACOUSTIC FIBER (67003796)     | 1   | EA  | NO LONGER AVAILABLE   |
| 18   | PS400187 | DUAL TUBE SWEEP (67004101)    | 1   | EA  | NO LONGER AVAILABLE, Not available online / Call for pricing and availability |
| 19   | PS400188 | WATERLINE TRACK (67004102)    | 1   | EA  |   |
| 20   | PS400189 | COVER, HV BOX (67005421)      | 1   | EA  | NO LONGER AVAILABLE   |

| Item | Part No. | Name                              | Qty | Uom | NOTES   |
|------|----------|-----------------------------------|-----|-----|---|
| NI   | PS400190 | SCREW, HV BOX COVER<br>(67006615) | 1   | EA  | NO LONGER AVAILABLE, Not available online / Call for pricing and availability |
| 21   | PS400191 | HV BOARD (INC. INSTRUCTIONS)      | 1   | EA  | NO LONGER AVAILABLE   |
| 22   | PS400192 | BOX, HV CONTROL (67004969)        | 1   | EA  | NO LONGER AVAILABLE   |
| 23   | PS400193 | SPACER, HV BOX (67005418)         | 1   | EA  | NO LONGER AVAILABLE   |
| 24   | PS400194 | HARNESS, HV BOARD<br>(67005419)   | 1   | EA  | NO LONGER AVAILABLE, Not available online / Call for pricing and availability |
| NI   | PS400195 | POWER CORD (67006506)             | 1   | EA  |   |

COMPRESSOR

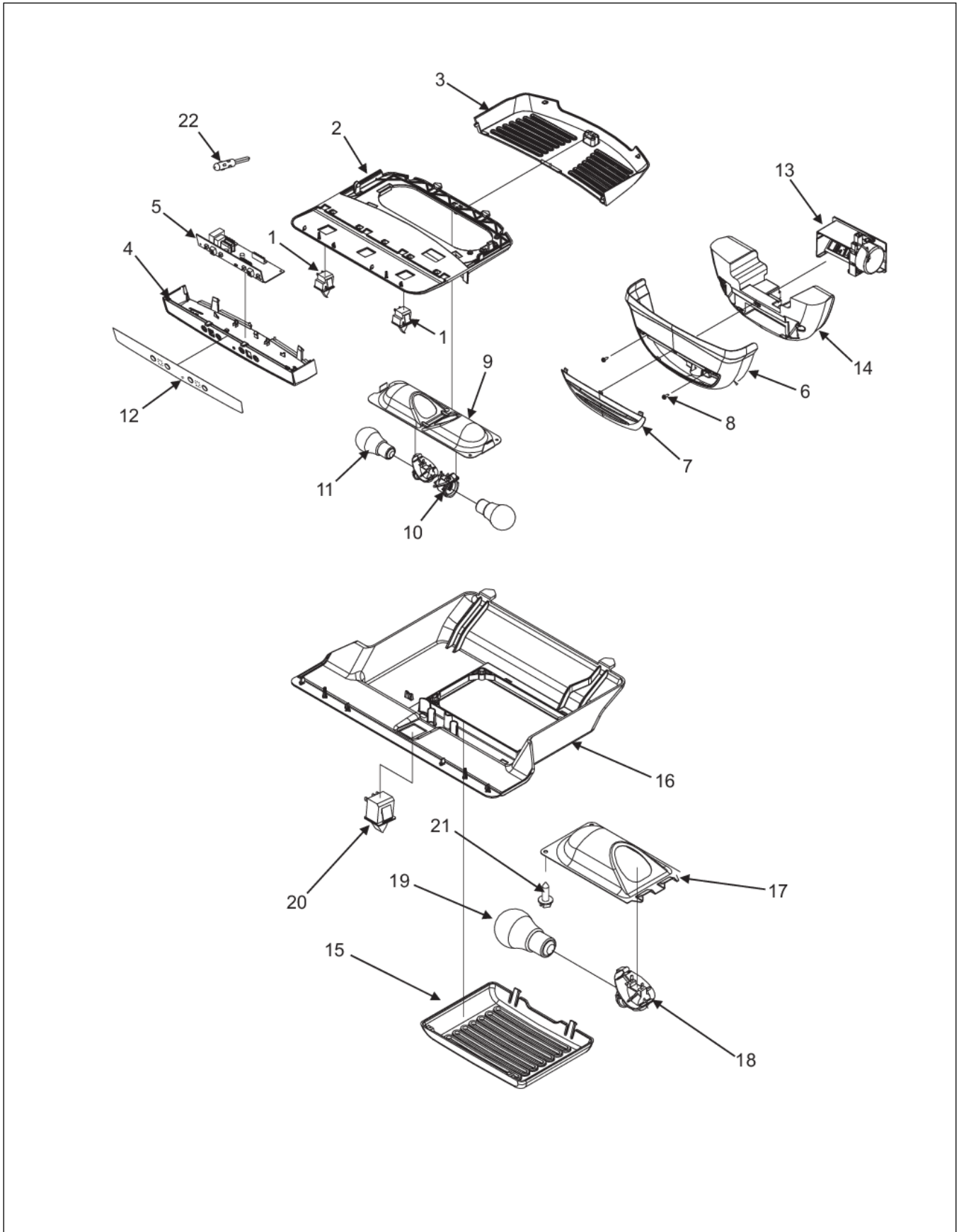


| Item | Part No.   | Name  | Qty | Uom | NOTES   |
|------|------------|---|-----|-----|---|
| 1    | PS400153   | SCREW, COMPRESSOR<br>(67006432)                     | 1   | EA  |   |
| 2    | PS400154   | COMPRESSOR KIT (8201555)                            | 1   | EA  |   |
|      | NOTE       | (INC. COMPRESSOR,<br>OVERLOAD, RELAY,<br>CAPACITOR) |     | EA  |   |
|      | NOTE       | BALE STRAP, GROMMMETS, &<br>INSTR. SHEET)           |     | EA  |   |
| 3    | PS400155   | GROUND SCREW (67006433)                             | 1   | EA  | NO LONGER<br>AVAILABLE, Not<br>available online /<br>Call for pricing<br>and availability |
| 4    | PS400156   | OVERLOAD AND RELAY<br>W/CAPICITOR (67005560)        | 1   | EA  |   |
| 5    | 021899-000 | PAN, DRAIN  | 1   | EA  |   |
| 6    | PS400158   | GROMMET, COMPRESSOR<br>(67003493)                   | 1   | EA  |   |
| 7    | PS400159   | SEAL, CONDENSER SHROUD<br>(61003210)                | 1   | EA  | NO LONGER<br>AVAILABLE, Not<br>available online /<br>Call for pricing<br>and availability |
| 8    | 021893-000 | MOTOR, FAN  | 1   | EA  |   |
| 9    | PS400129   | SCREW, SMALL (67006425)                             | 1   | EA  |   |
| 10   | PS400161   | DISCHARGE TUBE (67004700)                           | 1   | EA  |   |
| 11   | PS400162   | GROMMET CONDENSER<br>(67005680)                     | 1   | EA  |   |
| 12   | PS400163   | BASE PAN (67005889)                                 | 1   | EA  | NO LONGER<br>AVAILABLE  |
| 13   | PS400164   | BALE STRAP (12576801)                               | 1   | EA  | NO LONGER<br>AVAILABLE, Not<br>available online /<br>Call for pricing<br>and availability |
| 14   | PS400165   | GROMMET BRACKET<br>(61004743)                       | 1   | EA  | NO LONGER<br>AVAILABLE, Not<br>available online /<br>Call for pricing<br>and availability |
| 15   | PS400166   | CONDENSER (67006131)                                | 1   | EA  |   |
| 16   | PS400167   | SHROUD, CONDENSER FAN<br>(67001090)                 | 1   | EA  | NO LONGER<br>AVAILABLE  |
| 17   | PS400168   | BLADE, FAN (67004952)                               | 1   | EA  |   |

| Item | Part No. | Name                                | Qty | Uom | NOTES   |
|------|----------|-------------------------------------|-----|-----|---|
| 18   | PS400169 | BRACKET, CONDENSER MOTOR (67004953) | 1   | EA  | NO LONGER AVAILABLE, Not available online / Call for pricing and availability |
| 19   | PS400170 | SCREW, BRACKT (67004954)            | 1   | EA  | NO LONGER AVAILABLE, Not available online / Call for pricing and availability |
| NI   | PS400171 | HARNESS, MC (67005435)              | 1   | EA  | NO LONGER AVAILABLE   |



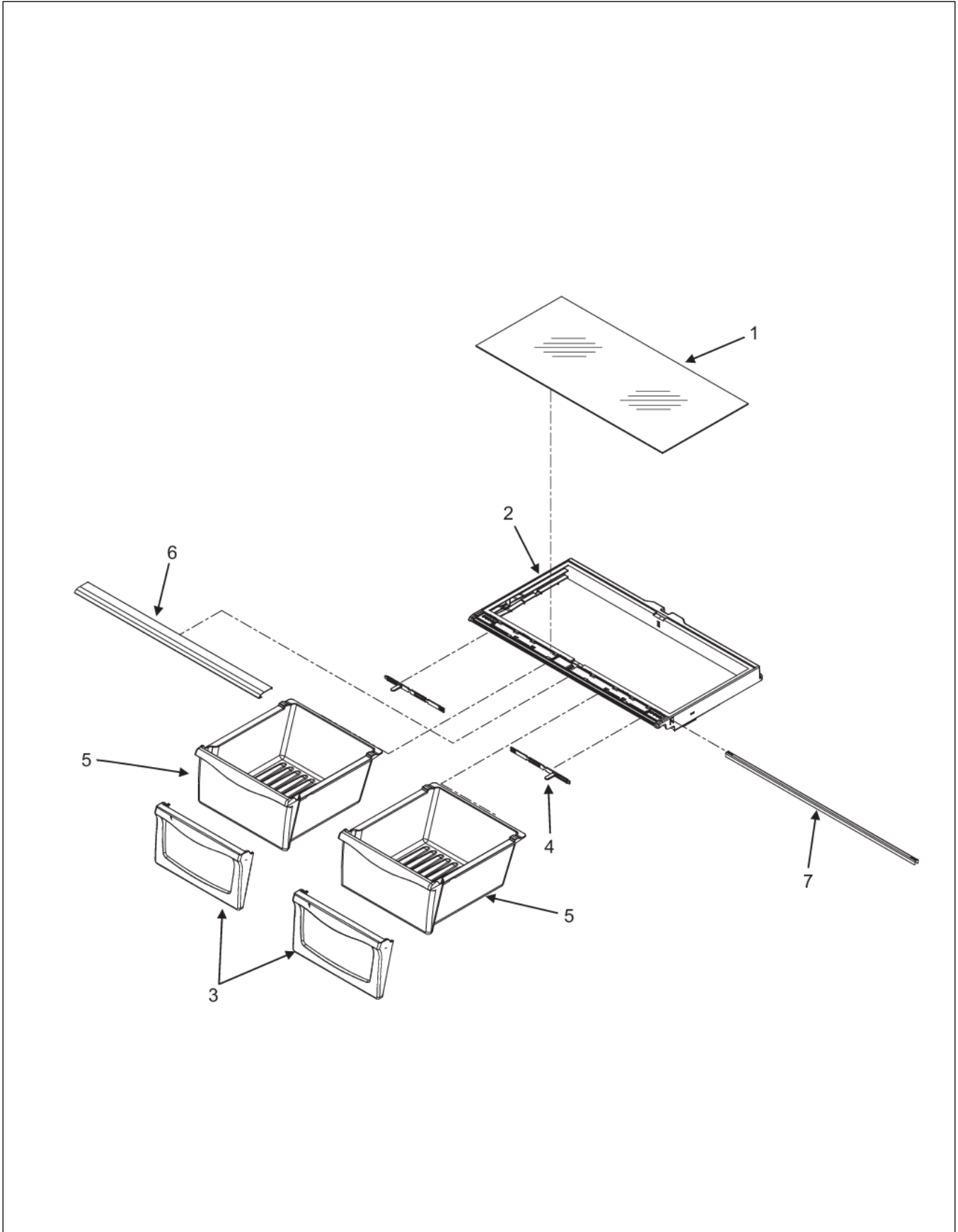
CONTROLS



| Item | Part No.   | Name                                    | Qty | Uom | NOTES   |
|------|------------|---|-----|-----|---|
| 1    | PS400044   | LIGHT SWITCH (C3680310)                 | 1   | EA  |   |
| 2    | PS400234   | LIGHT MODULE (67004078)<br>VCFF/DDFF    | 1   | EA  | NO LONGER AVAILABLE   |
| 3    | PS400046   | COVER, REFRIGERATOR LIGHT (67003897)    | 1   | EA  | NO LONGER AVAILABLE   |
| 4    | PS400047   | MODULE, REFRIGERATOR CONTROL (67005444) | 1   | EA  |   |
| 5    | 021881-000 | CONTROL BOARD                           | 1   | EA  | NO LONGER AVAILABLE   |
| 6    | 021694-000 | COVER, DAMPER                           | 1   | EA  |   |
| 7    | 021695-000 | INSERT, DAMPER COVER                    | 1   | EA  |   |
| 8    | PS400051   | SCREW, DAMPER BASE (67006602)           | 1   | EA  | NO LONGER AVAILABLE, Not available online / Call for pricing and availability |
| 9    | PS400052   | LIGHT HOUSING (67003901)                | 1   | EA  | NO LONGER AVAILABLE, Not available online / Call for pricing and availability |
| 10   | PS400053   | LIGHT SOCKET (12570701)                 | 1   | EA  |   |
| 11   | PS400054   | LIGHT BULB (A0282812)                   | 1   | EA  |   |
| 12   | PS400055   | KEYBOARD CONTROL                        | 1   | EA  |   |
| 13   | 017026-000 | CONTROL, DAMPER                         | 1   | EA  |   |
| 14   | PS400057   | INSULATION, DAMPER CONTROL (67006604)   | 1   | EA  | NO LONGER AVAILABLE   |
| 15   | PS400058   | COVER, FREEZER LIGHT (67003905)         | 1   | EA  | NO LONGER AVAILABLE   |
| 16   | PS400059   | MODULE, FREEZER CONTROL (67003906)      | 1   | EA  | NO LONGER AVAILABLE   |
| 17   | 021759-000 | HOUSING, LIGHT                          | 1   | EA  |   |
| 18   | PS400053   | LIGHT SOCKET (12570701)                 | 1   | EA  |   |
| 19   | PS400054   | LIGHT BULB (A0282812)                   | 1   | EA  |   |
| 20   | PS400061   | LIGHT SWITCH / INTERLOCK (12002646)     | 1   | EA  |   |
| 21   | PS400062   | SCREW, HOUSING (67006530)               | 1   | EA  | NO LONGER AVAILABLE, Not available online / Call for pricing and availability |
| 22   | PS400063   | THERMISTOR                              | 1   | EA  |   |

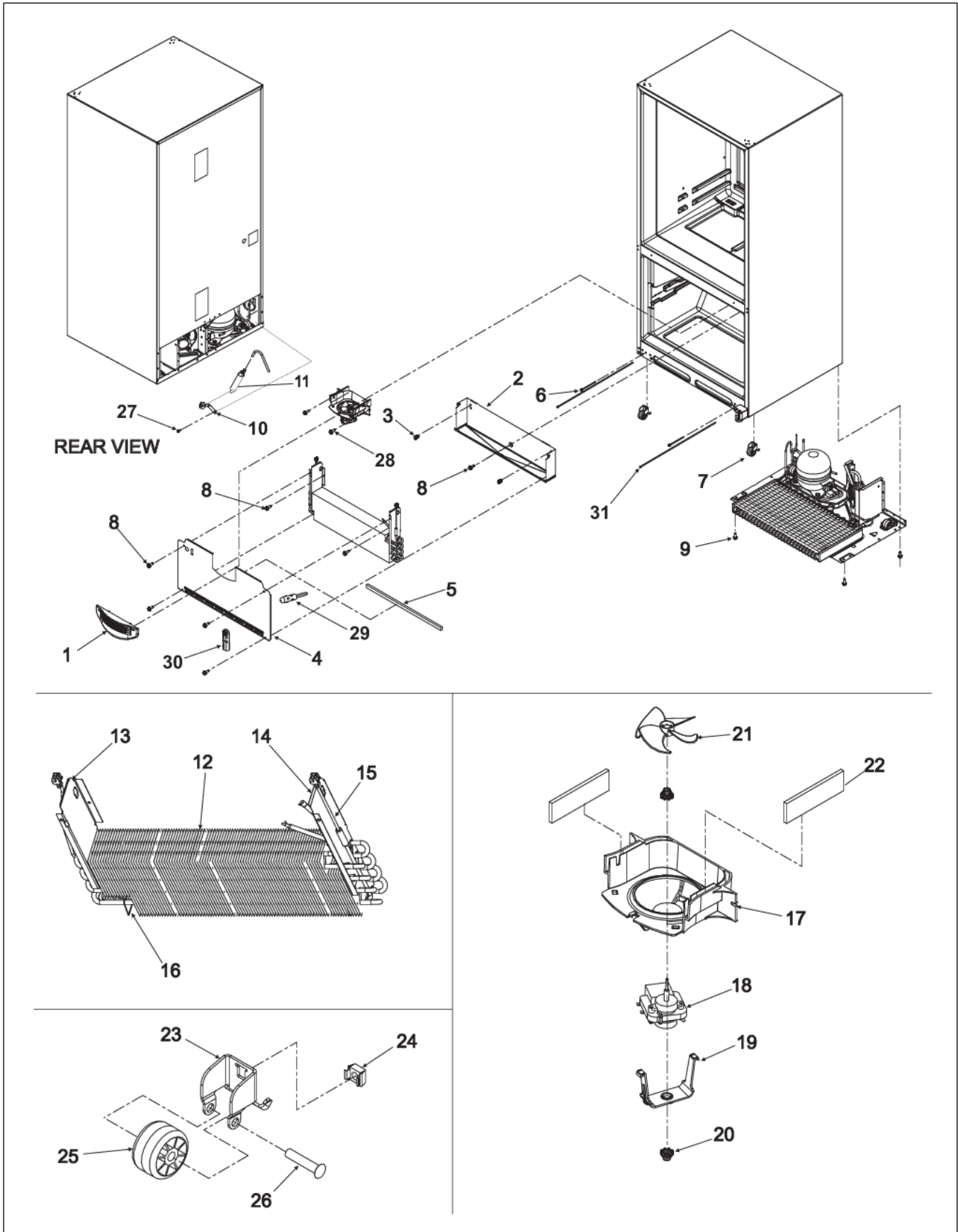
| Item | Part No. | Name  | Qty | Uom | NOTES   |
|------|----------|---|-----|-----|---|
| NI   | PS400235 | HARNESS, FF CONTROL<br>(67005417) VCFF/DDFF | 1   | EA  | NO LONGER AVAILABLE   |
| NI   | PS400065 | HARNESS, FZ CONTROL<br>(67006094)           | 1   | EA  | NO LONGER AVAILABLE, Not available online / Call for pricing and availability |

CRISPER ASSEMBLY



| Item | Part No.   | Name  | Qty | Uom | NOTES |
|------|------------|---|-----|-----|-------|
| 1    | PS400067   | GLASS, CRISPER (67006655)                                   | 1   | EA  |       |
| 2    | 021762-000 | FRAME, CRISPER  | 1   | EA  |       |
| 3    | PS400069   | FRONT, CRISPER PAN<br>(67005926) - SUBS TO 021778-000       | 1   | EA  |       |
| 4    | PS400070   | SLIDE, HUMIDITY CONTROL<br>(Y67001287)                      | 1   | EA  |       |
| 5    | PS400071   | CRISPER PAN (67002659)                                      | 1   | EA  |       |
| 6    | PS400072   | EXTRUSION, CRISPER FRONT<br>(W10231489) - SUB TO 021832-000 | 1   | EA  |       |
| 7    | PS400073   | BRACE, CRISPER  | 1   | EA  |       |

EVAPORATOR AREA AND ROLLERS

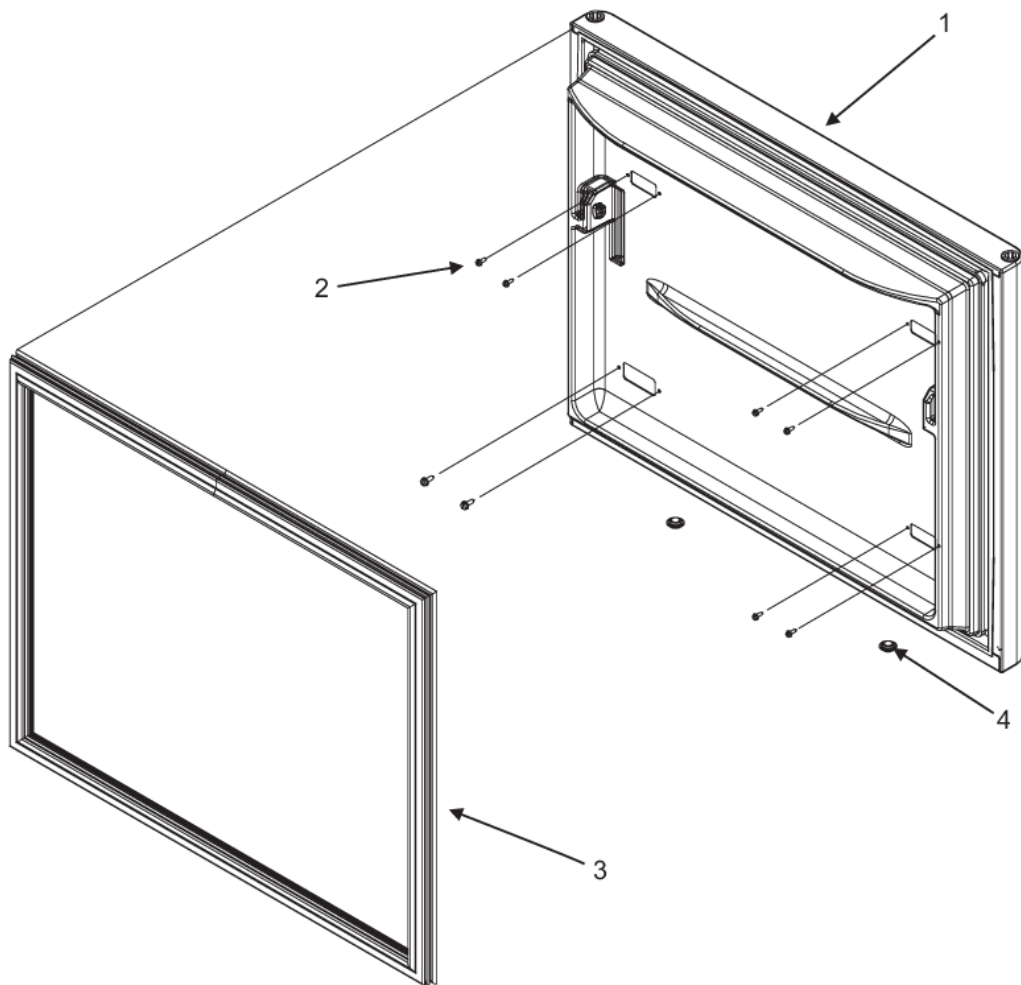


| Item | Part No.   | Name  | Qty | Uom | NOTES   |
|------|------------|---|-----|-----|---|
| 1    | PS400122   | AIR GRILLE - FREEZER<br>(67006609)                          | 1   | EA  |   |
| 2    | PS400123   | DRIP TRAY, E-CT (67002490)                                  | 1   | EA  |   |
| 3    | PS400124   | CLIP, EVAPORATOR  | 1   | EA  | Not available online / Call for pricing and availability                      |
| 4    | PS400125   | COVER, EVAPORATOR<br>(67005873)                             | 1   | EA  | NO LONGER AVAILABLE, Not available online / Call for pricing and availability |
| 5    | 021788-000 | GASKET, FOAM  | 1   | EA  |   |
| 6    | PS400361   | BOLT, ADJUSTABLE ROLLER<br>(67006611)                       | 1   | EA  |   |
| 7    | PS400128   | ROLLER BRACKET ASSEMBLY<br>(12580304)                       | 1   | EA  |   |
| 8    | PS400129   | SCREW, SMALL (67006425)                                     | 1   | EA  |   |
| 9    | PS400130   | SCREW (67006573)  | 1   | EA  | NO LONGER AVAILABLE   |
| 10   | PS400131   | CLIP, DRIER (10547002)                                      | 1   | EA  | NO LONGER AVAILABLE, Not available online / Call for pricing and availability |
| 11   | PS400132   | DRIER (B2150504)  | 1   | EA  |   |
| 12   | PS400133   | EVAPORATOR KIT (INC. EVAP,<br>HT. SHLD, & INST.) (12002041) | 1   | EA  |   |
|      | NOTE       | (INC. EVAPORATOR, HEAT<br>SHIELD, & INSTRUCTION<br>SHEET    |     | EA  |   |
| 13   | PS400134   | DAM, LEFT RETURN (67001083)                                 | 1   | EA  | NO LONGER AVAILABLE, Not available online / Call for pricing and availability |
| 14   | PS400135   | DAM, RIGHT RETURN<br>(67001084)                             | 1   | EA  | NO LONGER AVAILABLE, Not available online / Call for pricing and availability |
| 15   | PS400136   | HEATER, EVAPORATOR<br>(67002493)                            | 1   | EA  |   |
| 16   | PS400137   | CLIP, HEATER - SUBS TO<br>10428101                          | 1   | EA  |   |
| 17   | PS400138   | SHROUD, EVAPORATOR FAN<br>(67002777)                        | 1   | EA  |   |

| Item | Part No.   | Name                                 | Qty | Uom | NOTES   |
|------|------------|--------------------------------------|-----|-----|---|
| 18   | PS400139   | MOTOR, EVAPORATOR FAN (67003636)     | 1   | EA  |   |
| 19   | PS400140   | CLIP, EVAPORATOR MOTOR (67005633)    | 1   | EA  |   |
| 20   | PS400141   | GROMMET, FAN MOTOR (67002780)        | 1   | EA  |   |
| 21   | 021741-000 | BLADE, FAN (EVAPORATOR)              | 1   | EA  |   |
| 22   | PS400143   | FOAM GASKET (67001291)               | 1   | EA  | NO LONGER AVAILABLE, Not available online / Call for pricing and availability |
| 23   | PS400144   | ROLLER BRACKET (12456801)            | 1   | EA  |   |
| 24   | PS400145   | SPEED NUT (M0286708)                 | 1   | EA  |   |
| 25   | PS400146   | ROLLER (67005127)                    | 1   | EA  |   |
| 26   | PS400147   | RIVET (M1205302)                     | 1   | EA  |   |
| 27   | PS400148   | SCREW, CLIP (67006737)               | 1   | EA  | NO LONGER AVAILABLE, Not available online / Call for pricing and availability |
| 28   | PS400013   | SCREW, DOOR STOP (67006287)          | 1   | EA  | NO LONGER AVAILABLE   |
| 29   | PS400063   | THERMISTOR                           | 1   | EA  |   |
| 30   | PS400149   | COVER, FREEZER THERMISTOR (67003924) | 1   | EA  | NO LONGER AVAILABLE, Not available online / Call for pricing and availability |
| 31   | PS400150   | SCREW, ADJUSTING ROD (67006697)      | 1   | EA  |   |
| NI   | PS400151   | DEFROST THERMOSTAT (67003426)        | 1   | EA  |   |
| NI   | PS400152   | HARNES, EVAPORATOR HEATER (67005574) | 1   | EA  |   |

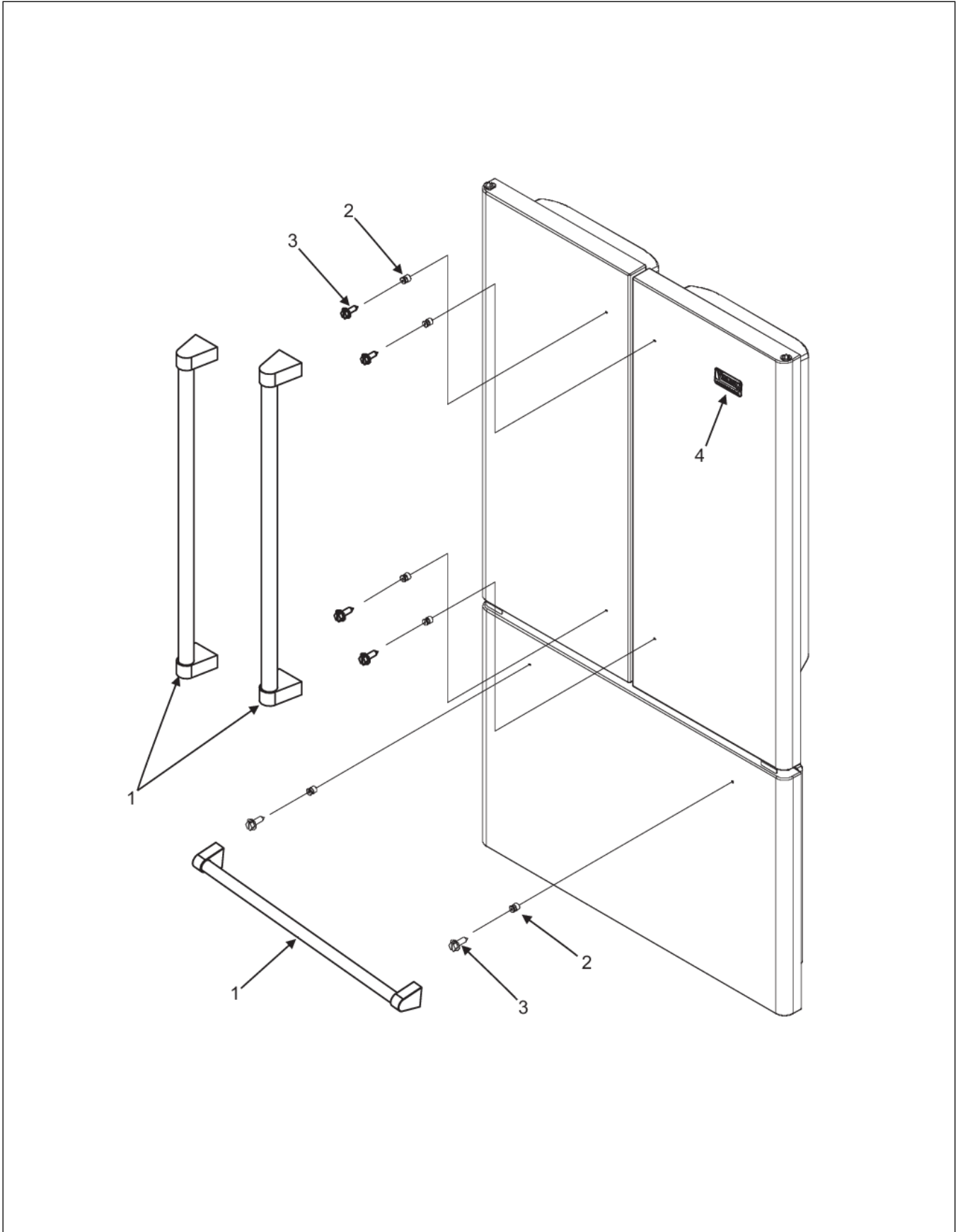


FREEZER DOOR



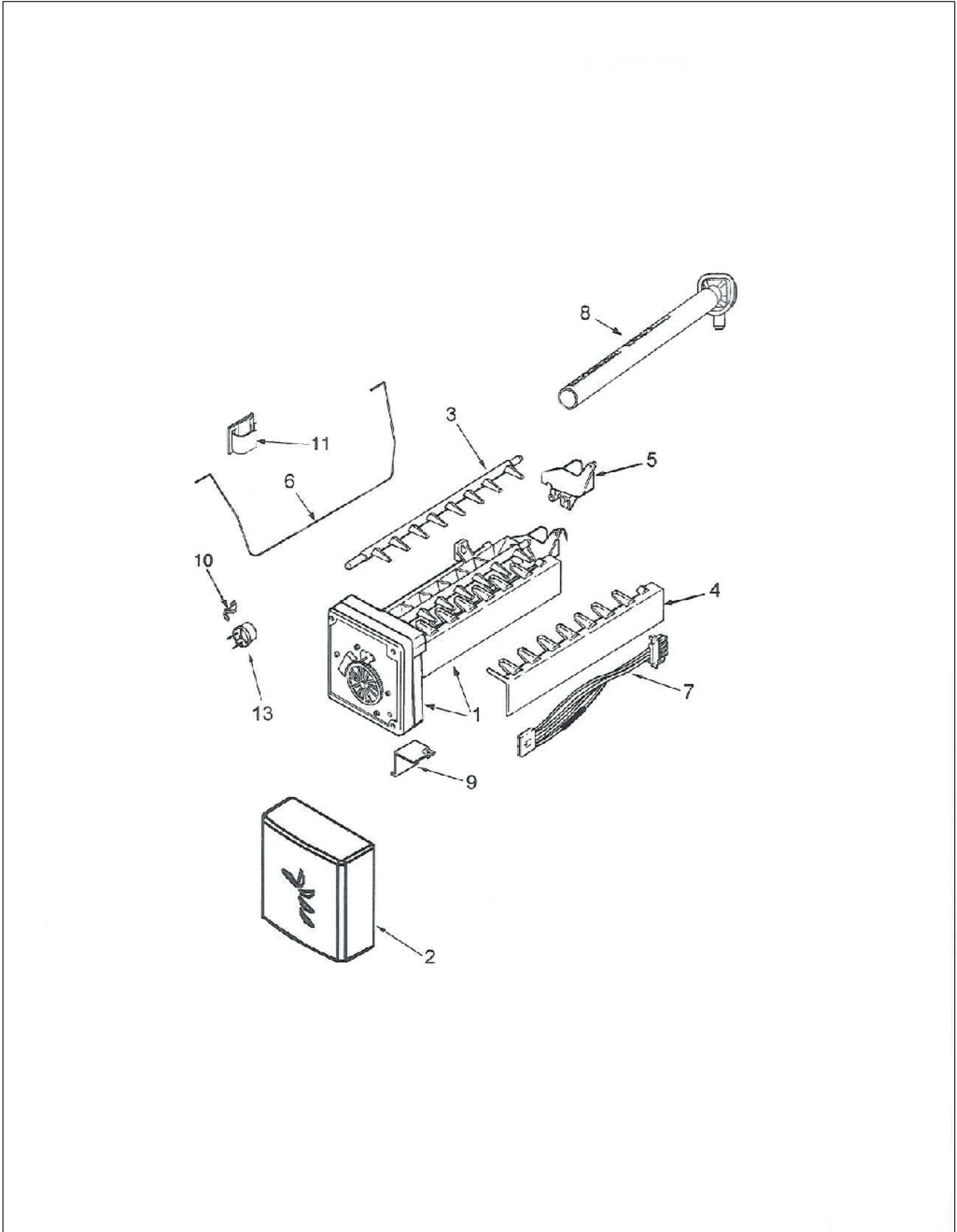
| Item | Part No. | Name                                | Qty | Uom | NOTES   |
|------|----------|-------------------------------------|-----|-----|---|
| 1    | PS400214 | FREEZER DOOR ASSEMBLY               | 1   | EA  |   |
| 2    | PS400229 | SCREW, SMALL HEX HEAD<br>(67006408) | 1   | EA  | NO LONGER AVAILABLE, Not available online / Call for pricing and availability |
| 3    | PS400028 | GASKET, FREEZER DOOR<br>(67003559)  | 1   | EA  |   |
| 4    | PS400016 | PLUG, VENT (67004838)               | 1   | EA  | NO LONGER AVAILABLE   |

HANDLES



| Item | Part No.   | Name                               | Qty | Uom | NOTES |
|------|------------|------------------------------------|-----|-----|-------|
| 1    | 016704-000 | HANDLE ASM KIT                     | 1   | EA  |       |
| NI   | PS400236   | SCREW, SET (67006776)<br>VCFF/DDFF | 1   | EA  |       |
| 2    | PS400213   | MOUNT, HANDLE 67006109             | 1   | EA  |       |
| 3    | PS400212   | SCREW, HANDLE 340184               | 1   | EA  |       |
| 4    | PS400430   | PRO LOGO (67006680)                | 1   | EA  |       |

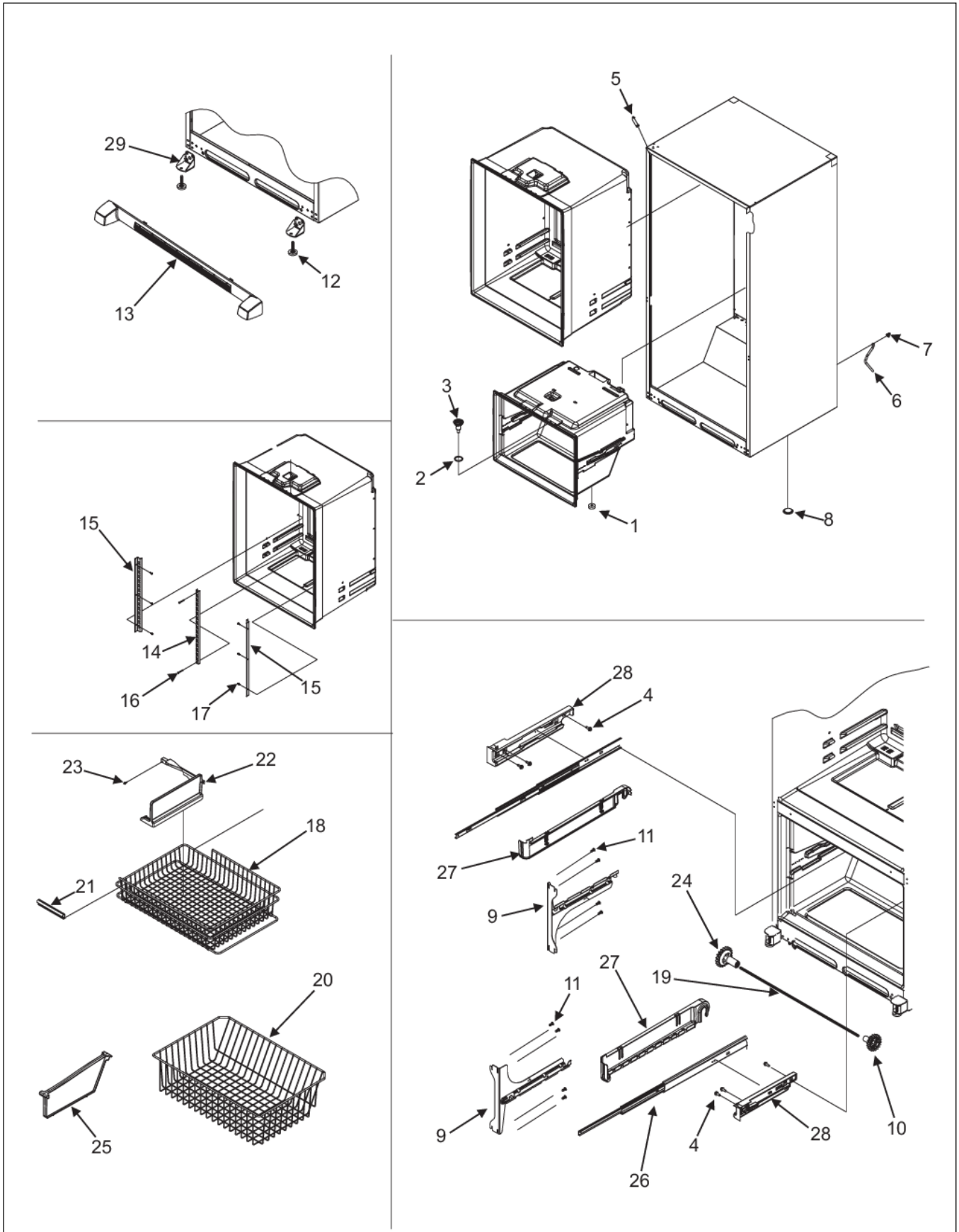
ICE MAKER



| Item | Part No.   | Name                                       | Qty | Uom | NOTES   |
|------|------------|--|-----|-----|---|
| 1    | PR160032   | ICEMAKER ASSY COMP<br>4317943              |     | EA  |   |
|      | NOTE       | (ORDER HARNESS WHEN<br>REPLACING ICEMAKER) |     | EA  |   |
| #    | PS400197   | BRACKET, ICE MAKER<br>(67002823)           |     | EA  | NO LONGER<br>AVAILABLE, Not<br>available online /<br>Call for pricing<br>and availability |
| #    | PS400013   | SCREW, DOOR STOP<br>(67006287)             |     | EA  | NO LONGER<br>AVAILABLE  |
| 2    | PS400198   | COVER, ICE MAKER (67004710)                |     | EA  | NO LONGER<br>AVAILABLE, Not<br>available online /<br>Call for pricing<br>and availability |
| 3    | PS400199   | ICE EJECTOR                                |     | EA  | NO LONGER<br>AVAILABLE, Not<br>available online /<br>Call for pricing<br>and availability |
| 4    | PS400200   | ICE STRIPPER                               |     | EA  | NO LONGER<br>AVAILABLE  |
| 5    | PS400201   | WATER INLET (95100-1)                      |     | EA  |   |
| 6    | PS400202   | IM SHUTOFF ARM (67004028)                  |     | EA  |   |
| 7    | 021793-000 | HARNESS, ICE MAKER                         |     | EA  |   |
| 8    | PS400185   | ELBOW, FILL TUBE                           |     | EA  |   |
| 9    | PS400204   | BRACKET, MODULE AND<br>HEATER (95107-1)    |     | EA  | NO LONGER<br>AVAILABLE, Not<br>available online /<br>Call for pricing<br>and availability |
| #    | PS400205   | SCREW, BRACKET (95108-1)                   |     | EA  | NO LONGER<br>AVAILABLE, Not<br>available online /<br>Call for pricing<br>and availability |
| 10   | PS400206   | RETAINER, THERMOSTAST<br>(95104-1)         |     | EA  | NO LONGER<br>AVAILABLE, Not<br>available online /<br>Call for pricing<br>and availability |
| 11   | PS400180   | CLIP                                       |     | EA  |   |
| 12   | PS400207   | ICE PAN (67001255)                         |     | EA  |   |
| 13   | N/A        | Must Order PS400196                        |     | EA  |   |

| Item | Part No. | Name  | Qty | Uom | NOTES   |
|------|----------|---|-----|-----|---|
| #    | PS400208 | COUPLING (10244904)                           |     | EA  | NO LONGER AVAILABLE, Not available online / Call for pricing and availability |
| #    | PS400209 | ICE MAKER HOOK UP KIT (R0131235)              |     | EA  |   |
|      | NOTE     | (Inc. 1/4" X 25' Copper Tubing, Saddle Valve, |     | EA  |   |
|      | NOTE     | and 1/4" Compression Nut and Sleeve)          |     | EA  |   |

INTERIOR CABINET

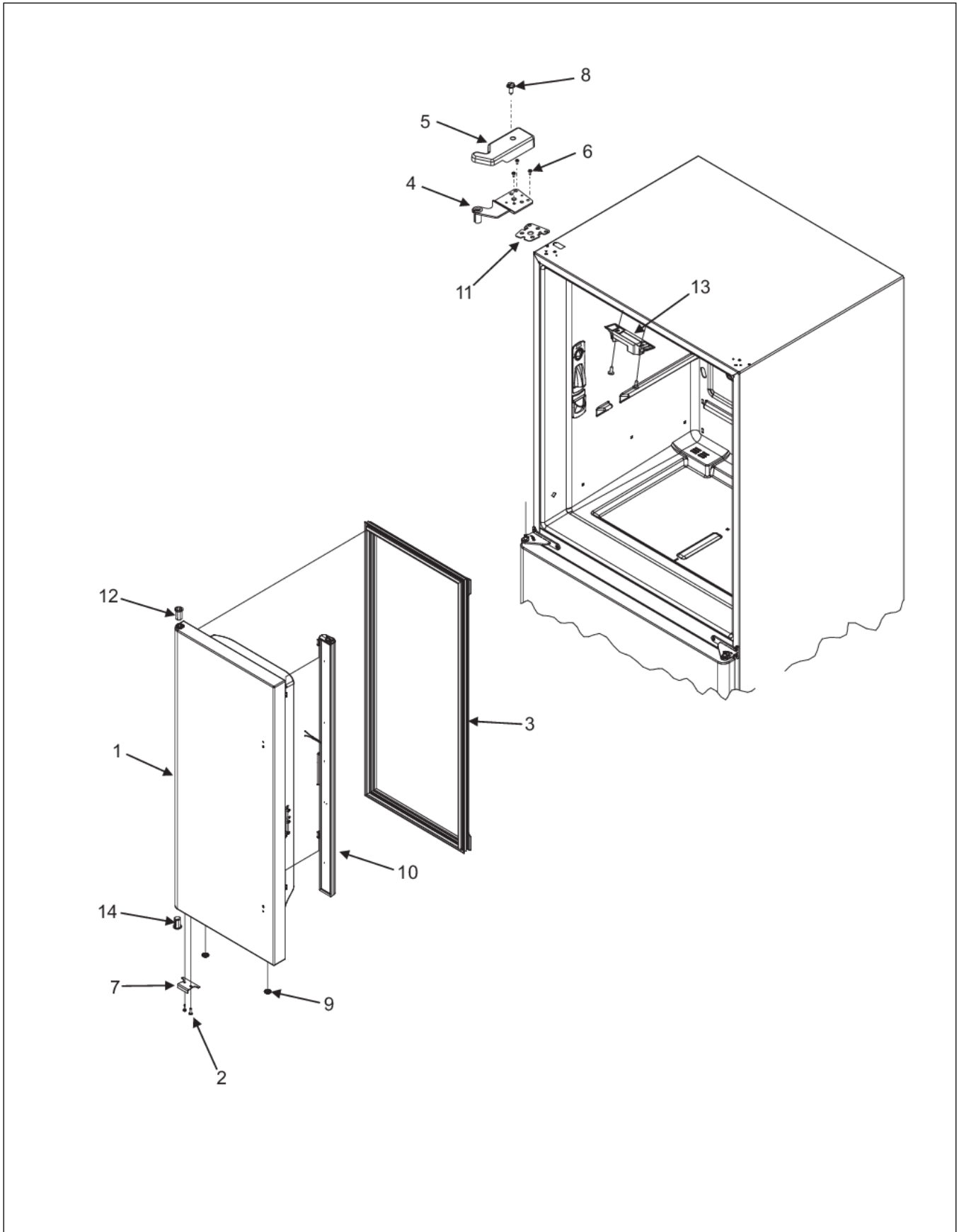




| Item | Part No.   | Name                                     | Qty | Uom | NOTES   |
|------|------------|--|-----|-----|---|
| 1    | PS400090   | GASKET, DRAIN TUBE                       | 1   | EA  |   |
| 2    | PS400091   | SEAL, O-RING                             | 1   | EA  |   |
| 3    | PS400092   | FUNNEL, DRAIN                            | 1   | EA  |   |
| 4    | PS400093   | SCREW, ADAPTER (67006406)                | 1   | EA  |   |
| 5    | PS400094   | CORNER COVER (67003485)                  | 1   | EA  | Not available online / Call for pricing and availability                      |
| 6    | PS400095   | DRAIN TUBE (67001066)                    | 1   | EA  | NO LONGER AVAILABLE   |
| 7    | PS400096   | CLIP, DRAIN TUBE (67001067)              | 1   | EA  | NO LONGER AVAILABLE   |
| 8    | PS400097   | PLUG, BUTTON                             | 1   | EA  |   |
| 9    | PS400098   | BRACKET, DRAWER SLIDE - LH (12812503WD)  | 1   | EA  |   |
|      | PS400099   | BRACKET, DRAWER SLIDE - RH (67004733)    | 1   | EA  |   |
| 10   | 011497-000 | GEAR, LT/RT                              | 1   | EA  |   |
| 11   | PS400101   | SCREW, BRACKET (67006473)                | 1   | EA  |   |
| 12   | PS400102   | BRAKE, FOOT (67003868)                   | 1   | EA  |   |
| 13   | PS400103   | GRILLE, TOE, BLACK                       | 1   | EA  |   |
| 14   | PS400104   | RAIL, SHELF SUPPORT - CENTER (67001073)  | 1   | EA  | NO LONGER AVAILABLE   |
| 15   | PS400105   | RAIL, SHELF SUPPORT - RH / LH (67002489) | 1   | EA  |   |
| 16   | PS400106   | SCREW, CENTER RAIL (67006360)            | 1   | EA  | NO LONGER AVAILABLE, Not available online / Call for pricing and availability |
| 17   | PS400129   | SCREW, SMALL (67006425)                  | 1   | EA  |   |
| 18   | PS400107   | UPPER FREEZER BASKET (67004988)          | 1   | EA  |   |
| 19   | 021917-000 | SHAFT, RACK                              | 1   | EA  |   |
| 20   | PS400109   | LOWER FREEZER BASKET (67006026)          | 1   | EA  |   |
| 21   | PS400110   | HANDLE, BASKET (10508506)                | 1   | EA  |   |
| 22   | PS400111   | DIVIDER, UPPER BASKET (67004127)         | 1   | EA  |   |

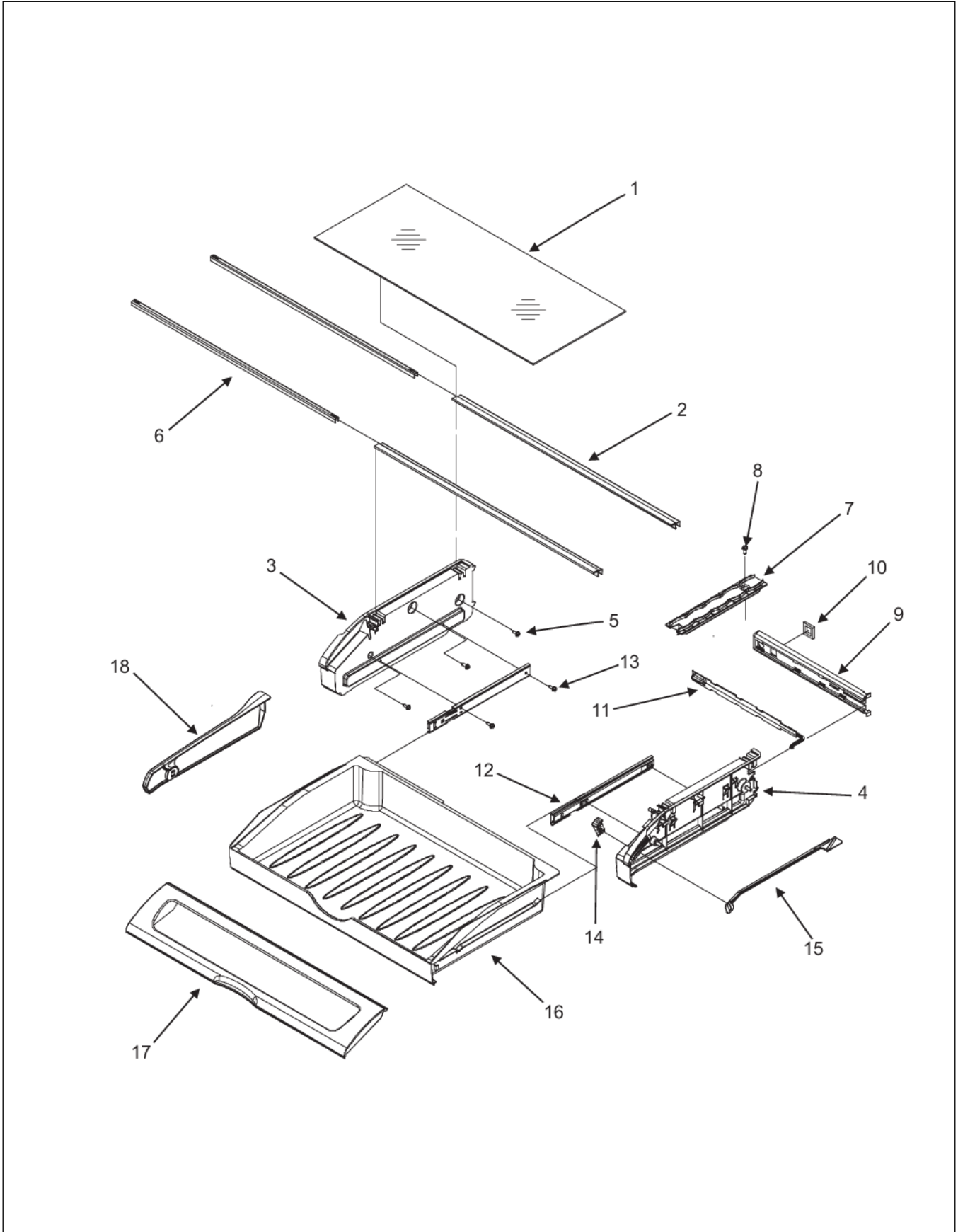
| Item | Part No.   | Name                                   | Qty | Uom | NOTES   |
|------|------------|--|-----|-----|---|
| 23   | PS400112   | SCREW, UPPER DIVIDER<br>(67006608)     | 1   | EA  | NO LONGER AVAILABLE, Not available online / Call for pricing and availability |
| 24   | 011497-000 | GEAR, LT/RT                            | 1   | EA  |   |
| 25   | PS400114   | DIVIDER, LOWER BASKET<br>(67004812)    | 1   | EA  |   |
| 26   | PS400115   | DRAWER SLIDE (12002684)                | 1   | EA  | NO LONGER AVAILABLE   |
| 27   | PS400116   | BASKET CRADLE - LEFT TRACK (67004728)  | 1   | EA  |   |
|      | PS400117   | BASKET CRADLE - RIGHT TRACK (67004729) | 1   | EA  |   |
| 28   | PS400118   | ADAPTER - LEFT TRACK (67004971)        | 1   | EA  |   |
|      | PS400119   | ADAPTER RIGHT TRACK (67004972)         | 1   | EA  | NO LONGER AVAILABLE   |
| 29   | PS400120   | BRACKET, FOOT CABINET (67007174)       | 1   | EA  |   |
| NI   | PS400121   | SCREW, BRACKET (67006491)              | 1   | EA  | NO LONGER AVAILABLE, Not available online / Call for pricing and availability |

LEFT REFRIGERATOR DOOR



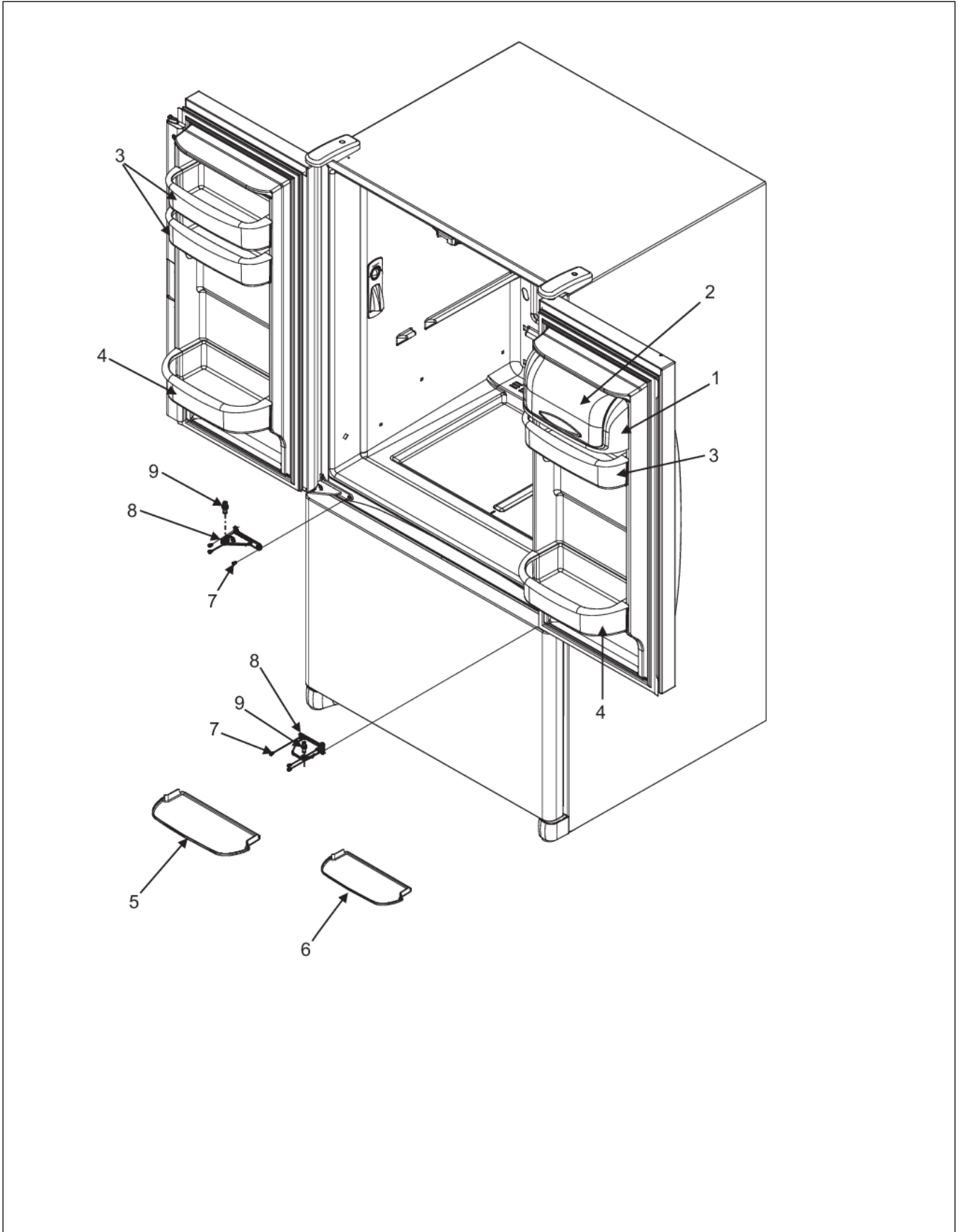
| Item | Part No.   | Name   | Qty | Uom | NOTES               |
|------|------------|--|-----|-----|---------------------|
| 1    | PS400237   | LEFT REFRIGERATOR DOOR (SS) (67006813) VCFF/DDFF | 1   | EA  |                     |
| 2    | PS400013   | SCREW, DOOR STOP (67006287)                      | 1   | EA  | NO LONGER AVAILABLE |
| 3    | PS400216   | GASKET, FRENCH DOOR 67003547                     | 1   | EA  |                     |
| 4    | PS400217   | TOP HINGE 12626908                               | 1   | EA  |                     |
| 5    | PS400218   | COVER, TOP HINGE 67006726                        | 1   | EA  |                     |
| 6    | PS400010   | GEAR (LH & RH)                                   | 1   | EA  |                     |
| 7    | PS400012   | 180 DEGREE DOOR STOP BK (67003780)               | 1   | EA  |                     |
| 8    | PS400015   | SCREW, TOP HINGE COVER (67006521)                | 1   | EA  |                     |
| 9    | PS400016   | PLUG, VENT (67004838)                            | 1   | EA  | NO LONGER AVAILABLE |
| 10   | 022956-000 | MULLION, DOOR, BLACK                             | 1   | EA  |                     |
| NI   | PS400220   | SCREW, MULLION 67006786                          | 1   | EA  | NO LONGER AVAILABLE |
| 11   | PS400221   | SHIM, HINGE                                      | 1   | EA  |                     |
| 12   | PS400222   | BUSHING, DOOR, BLACK (UPPER LEFT)                | 1   | EA  |                     |
| 13   | PS400223   | BLOCK, PIVOT (67003405) - SUB TO 021679-000      | 1   | EA  |                     |
| NI   | PS400224   | SCREW, PIVOT BLOCK (489355)                      | 1   | EA  |                     |
| 14   | PS400225   | BUSHING, BOTTOM DOOR (67002721)                  | 1   | EA  |                     |

PANTRY ASSEMBLY



| Item | Part No.   | Name  | Qty | Uom | NOTES  |
|------|------------|---|-----|-----|--|
| 1    | PS400074   | GLASS, PANTRY (67002332)                        | 1   | EA  |  |
| 2    | PS400075   | EXTRUSION, GLASS SUPPORT (67006010)             | 1   | EA  |  |
| 3    | PS400076   | END CAP, LH PANTRY                              | 1   | EA  |  |
| 4    | PS400077   | END CAP, RH PANTRY                              | 1   | EA  |  |
| 5    | PS400078   | SCREW, END CAP (67006415)                       | 1   | EA  |  |
| 6    | PS400079   | BRACE, PANTRY (67002330)                        | 1   | EA  | NO LONGER AVAILABLE                                      |
| 7    | PS400080   | TRACK, DELI DRAWER (67001719)                   | 1   | EA  | NO LONGER AVAILABLE                                      |
| 8    | PS400129   | SCREW, SMALL (67006425)                         | 1   | EA  |  |
| 9    | PS400081   | CONTROL HOUSING (67005625) - SUBS TO 021677-000 | 1   | EA  |  |
| 10   | 021678-000 | GASKET, PANTRY                                  | 1   | EA  |  |
| 11   | PS400083   | TEMP CONTROL SLIDE (67003793)                   | 1   | EA  |  |
| 12   | PS400084   | GLIDE, PANTRY DRAWER (67007026)                 | 1   | EA  |  |
| 13   | PS400013   | SCREW, DOOR STOP (67006287)                     | 1   | EA  | NO LONGER AVAILABLE                                      |
| 14   | PS400085   | KNOB, TEMP CONTROL (67003791)                   | 1   | EA  | Not available online / Call for pricing and availability |
| 15   | 021675-000 | ROD, TEMP CONTROL                               | 1   | EA  |  |
| 16   | PS400087   | DRAWER, PANTRY (67003530)                       | 1   | EA  |  |
| 17   | PS400088   | LID, PANTRY (67006736)                          | 1   | EA  |  |
| 18   | PS400089   | DIVIDER, PANTRY (67002321)                      | 1   | EA  |  |

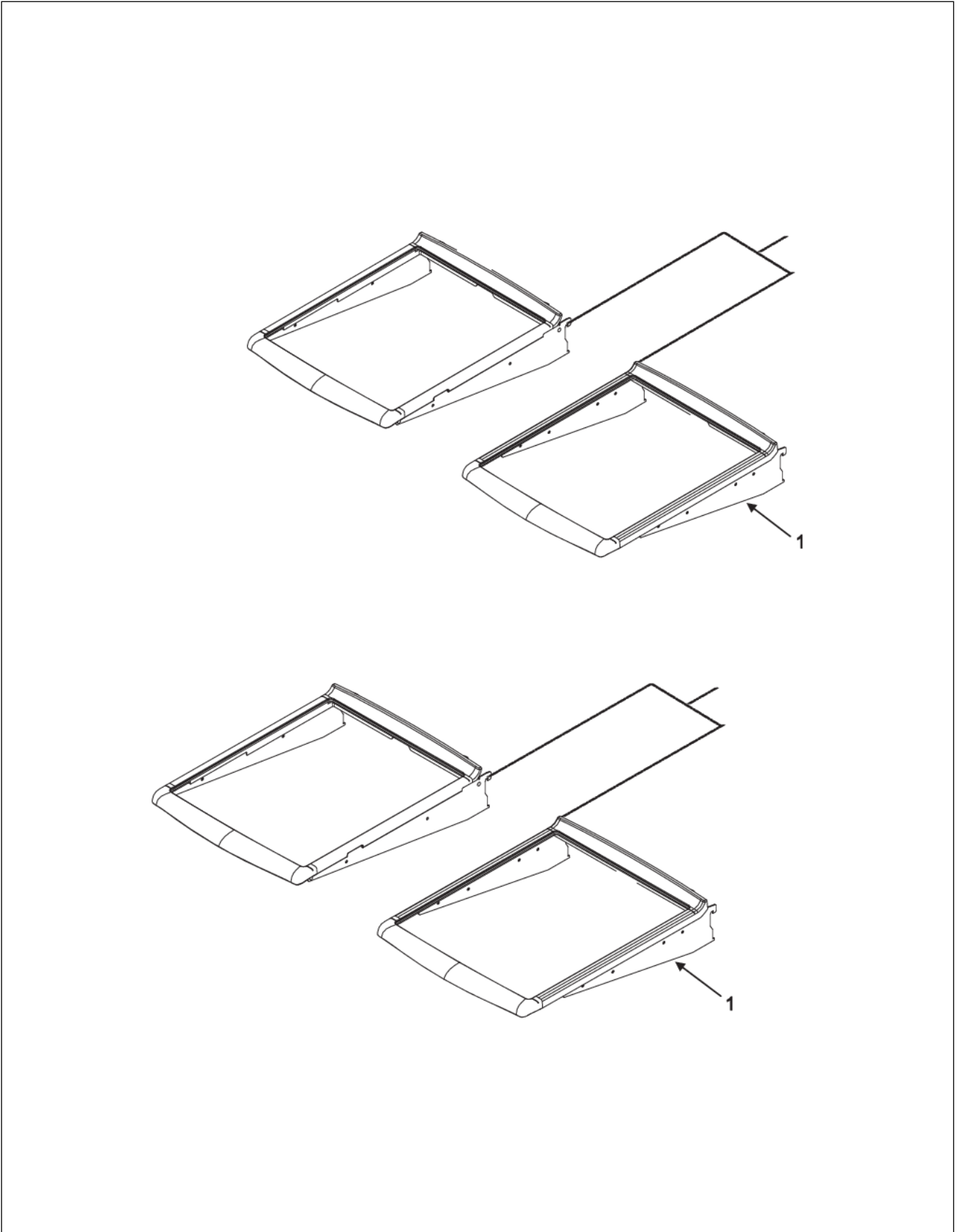
REF DOOR STORAGE AND CTR HINGE



| Item | Part No. | Name   | Qty | Uom | NOTES                  |
|------|----------|--|-----|-----|------------------------|
| 1    | PS400017 | DAIRY TRAY (67001279)  | 1   | EA  |                        |
| 2    | PS400018 | DAIRY DOOR (67006727)  | 1   | EA  |                        |
| 3    | PS400025 | BUCKET, MEDIUM<br>(W/GRIPPER) - SUBS TO<br>021701-000            | 1   | EA  |                        |
| 4    | PS400231 | REFRIGERATOR DOOR SHELF<br>- GALLON (INC. GRIPPER)<br>(67006788) | 1   | EA  |                        |
| 5    | PS400232 | GRIPPER, GALLON DOOR<br>SHELF (67006789)                         | 1   | EA  |                        |
| 6    | PS400026 | GRIPPER, MEDIUM (67006731)                                       | 1   | EA  | NO LONGER<br>AVAILABLE |
| 7    | PS400024 | SCREW, CENTER HINGE<br>(67006380)                                | 1   | EA  | NO LONGER<br>AVAILABLE |
| 8    | PS400233 | CENTER HINGE (67002027) -<br>SUBS TO 017002-000                  | 1   | EA  |                        |
| 9    | PS400022 | PIN, CENTER HINGE<br>(67006642)                                  | 1   | EA  |                        |



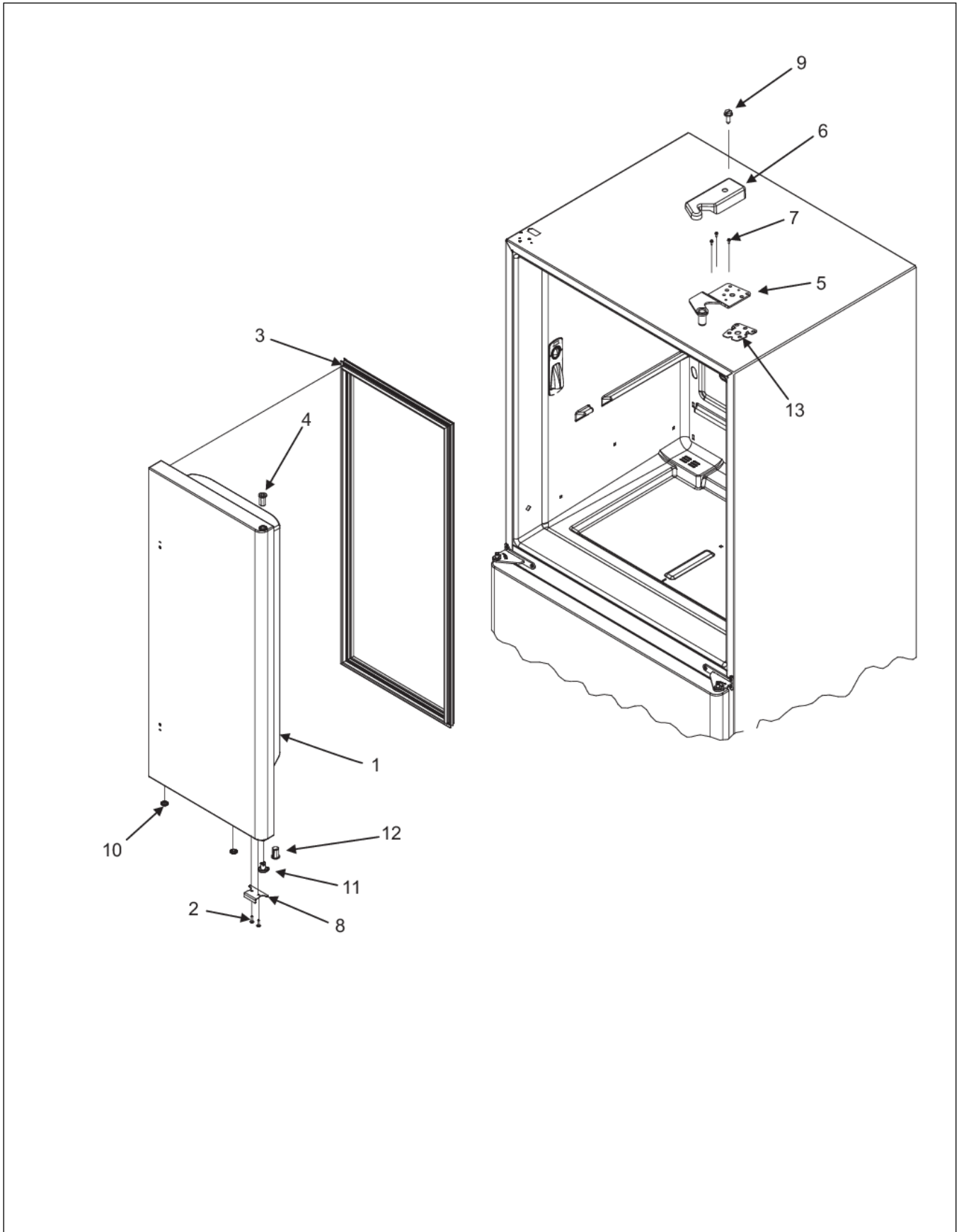
REFRIGERATOR SHELVES





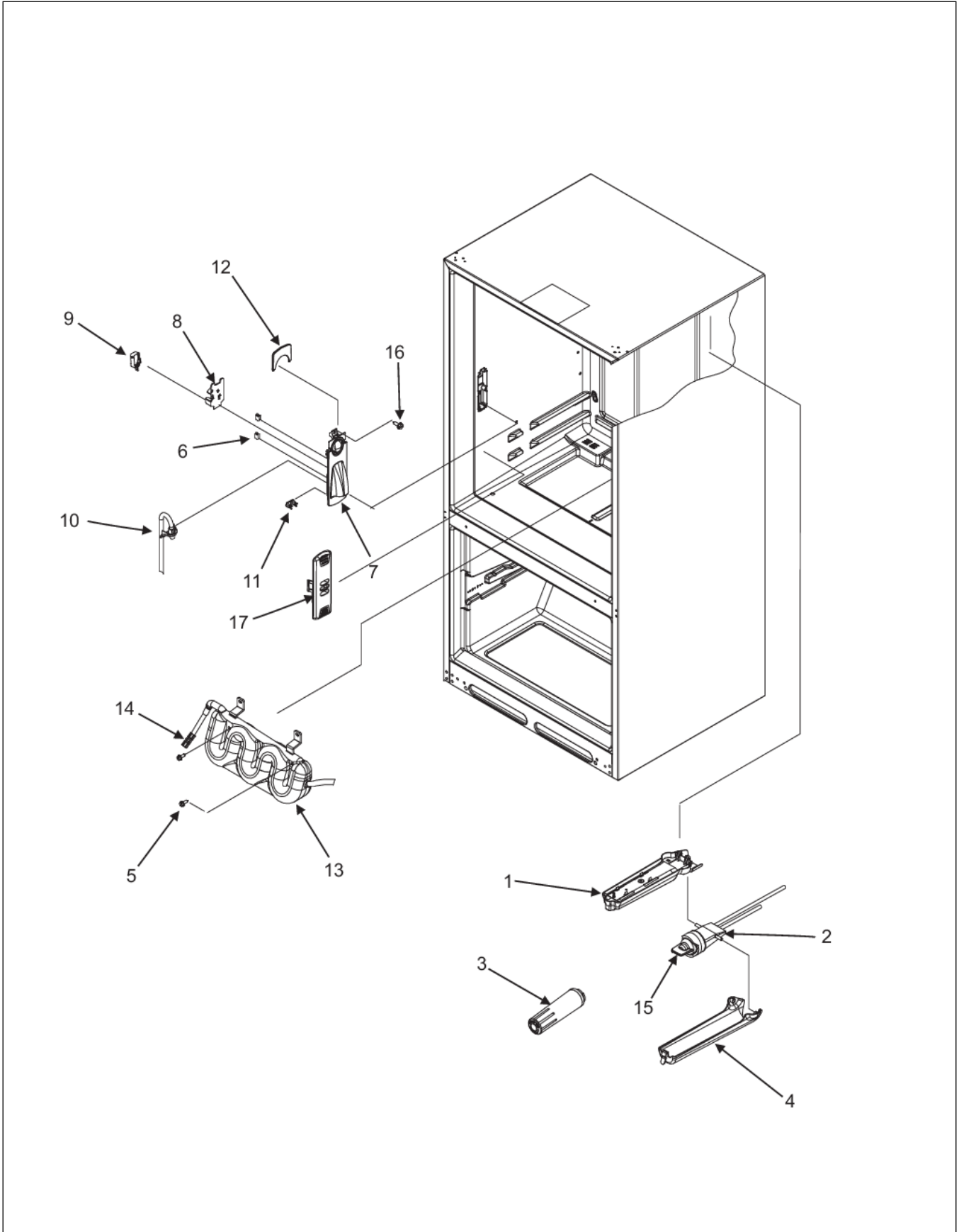
| Item | Part No. | Name                        | Qty | Uom | NOTES               |
|------|----------|-----------------------------|-----|-----|---------------------|
| 1    | PS400066 | SHELF, GLIDE OUT (67003169) | 1   | EA  | NO LONGER AVAILABLE |

RIGHT REFRIGERATOR DOOR



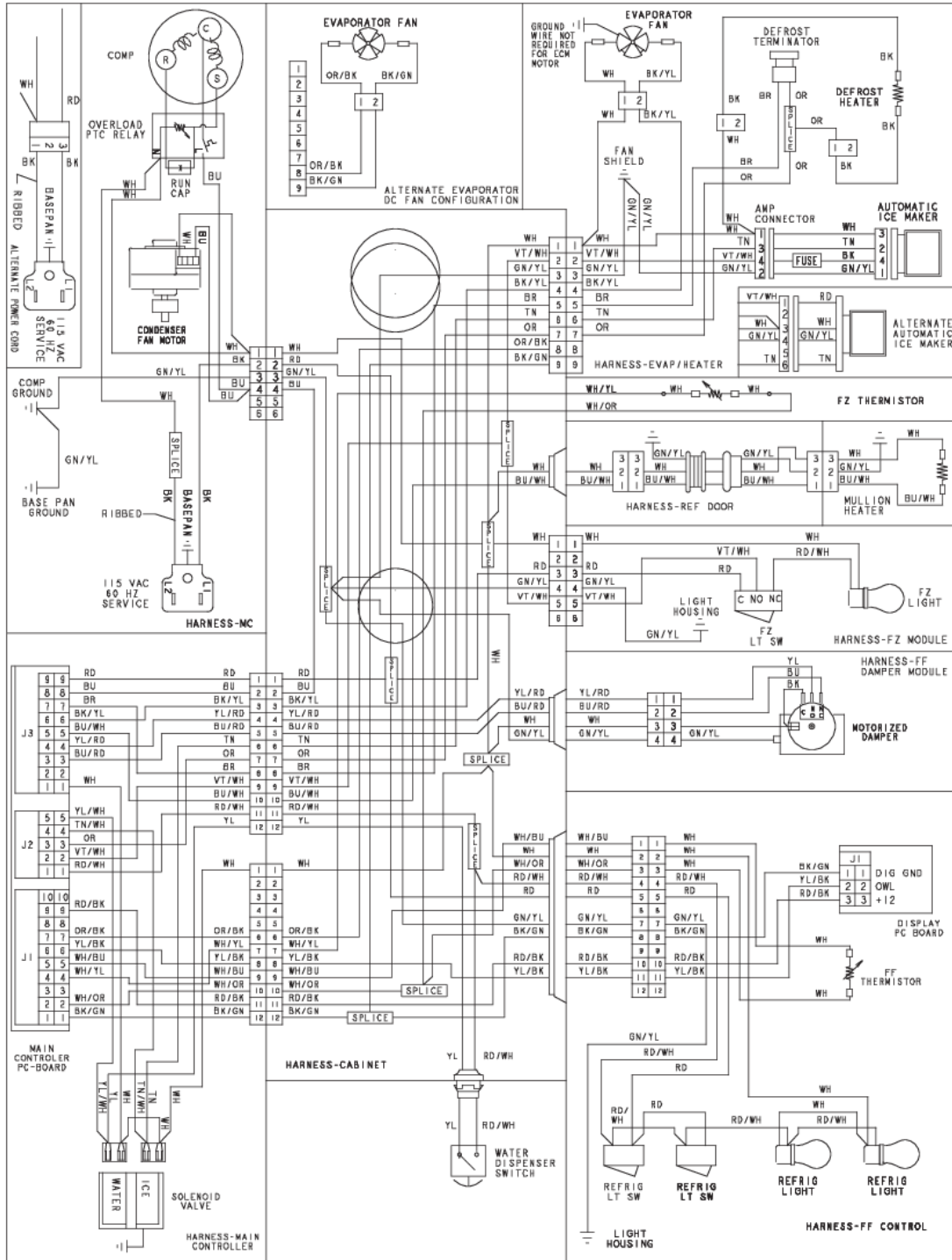
| Item | Part No.   | Name  | Qty | Uom | NOTES                  |
|------|------------|---|-----|-----|------------------------|
| 1    | PS400238   | RIGHT REFRIGERATOR DOOR<br>(13024015SQ) VCFF/DDFF | 1   | EA  |                        |
| 2    | PS400013   | SCREW, DOOR STOP<br>(67006287)                    | 1   | EA  | NO LONGER<br>AVAILABLE |
| 3    | PS400216   | GASKET, FRENCH DOOR<br>67003547                   | 1   | EA  |                        |
| 4    | 021751-000 | BUSHING, DOOR, BLACK<br>(UPPER RIGHT)             | 1   | EA  |                        |
| 5    | PS400006   | HINGE, TOP RIGHT                                  | 1   | EA  |                        |
| 6    | PS400008   | COVER, RIGHT HINGE, BLACK                         | 1   | EA  |                        |
| 7    | PS400010   | GEAR (LH & RH)                                    | 1   | EA  |                        |
| 8    | PS400012   | 180 DEGREE DOOR STOP BK<br>(67003780)             | 1   | EA  |                        |
| 9    | PS400015   | SCREW, TOP HINGE COVER<br>(67006521)              | 1   | EA  |                        |
| 10   | PS400016   | PLUG, VENT (67004838)                             | 1   | EA  | NO LONGER<br>AVAILABLE |
| 11   | PS400014   | DOOR CLOSURE (67003639)                           | 1   | EA  |                        |
| 12   | PS400227   | BUSHING, BOTTOM DOOR<br>(67002731)                | 1   | EA  |                        |
| 13   | PS400221   | SHIM, HINGE                                       | 1   | EA  |                        |

WATER DISPENSER



| Item | Part No.   | Name                                       | Qty | Uom | NOTES   |
|------|------------|--|-----|-----|---|
| 1    | PS400029   | FILTER BACKING PLATE<br>(67001668)         | 1   | EA  |   |
| 2    | PS400030   | WATER FILTER HEAD<br>(W/TUBING) (67006524) | 1   | EA  |   |
| 3    | SALES ITEM | WATER FILTER                               | 1   | EA  |   |
| 4    | PS400031   | COVER, FILTER                              | 1   | EA  |   |
| 5    | PS400013   | SCREW, DOOR STOP<br>(67006287)             | 1   | EA  | NO LONGER<br>AVAILABLE  |
| 6    | PS400032   | FACADE CLIP (B8390302)                     | 1   | EA  |   |
| 7    | PS400033   | FACADE DISPENSER<br>(W10158503)            | 1   | EA  | NO LONGER<br>AVAILABLE  |
| 8    | PS400034   | SWITCH PLATE (67002742)                    | 1   | EA  |   |
| 9    | PS400035   | SWITCH, LIMIT                              | 1   | EA  |   |
| 10   | 021776-000 | GUIDE, WATERLINE                           | 1   | EA  |   |
| 11   | PS400037   | WATER LINE CLIP (67002816)                 | 1   | EA  |   |
| 12   | PS400038   | TOP, FACADE DISPENSER<br>(67006733)        | 1   | EA  |   |
| 13   | PS400039   | WATER TANK (W10153959)                     | 1   | EA  |   |
| 14   | PS400040   | UNION (5/16 X 5/16)                        | 1   | EA  |   |
| 15   | PS400041   | BYPASS PLUG (12664501)                     | 1   | EA  |   |
| 16   | PS400129   | SCREW, SMALL (67006425)                    | 1   | EA  |   |
| 17   | PS400043   | COVER, CHILLER VENT<br>(67006111)          | 1   | EA  | NO LONGER<br>AVAILABLE, Not<br>available online /<br>Call for pricing<br>and availability |

WIRING DIAGRAM





Appendix A:Pages Index

CABINET BACK ..... 1  
COMPRESSOR ..... 2  
CONTROLS ..... 3  
CRISPER ASSEMBLY ..... 4  
EVAPORATOR AREA AND ROLLERS ..... 5  
FREEZER DOOR ..... 6  
HANDLES ..... 7  
ICE MAKER ..... 8  
INTERIOR CABINET ..... 9  
LEFT REFRIGERATOR DOOR ..... 10  
PANTRY ASSEMBLY ..... 11  
REF DOOR STORAGE AND CTR HINGE ..... 12  
REFRIGERATOR SHELVES ..... 13  
RIGHT REFRIGERATOR DOOR ..... 14  
WATER DISPENSER ..... 15  
WIRING DIAGRAM ..... 16





Appendix B:Parts Index

|            |                         |          |      |
|------------|-------------------------|----------|------|
| 011497-000 | 9, 9                    | PS400034 | 15   |
| 016704-000 | 7                       | PS400035 | 15   |
| 017026-000 | 3                       | PS400037 | 15   |
| 021675-000 | 11                      | PS400038 | 15   |
| 021678-000 | 11                      | PS400039 | 15   |
| 021694-000 | 3                       | PS400040 | 15   |
| 021695-000 | 3                       | PS400041 | 15   |
| 021741-000 | 5                       | PS400043 | 15   |
| 021751-000 | 14                      | PS400044 | 3    |
| 021759-000 | 3                       | PS400046 | 3    |
| 021762-000 | 4                       | PS400047 | 3    |
| 021776-000 | 15                      | PS400051 | 3    |
| 021788-000 | 5                       | PS400052 | 3    |
| 021793-000 | 8                       | PS400053 | 3, 3 |
| 021881-000 | 3                       | PS400054 | 3, 3 |
| 021893-000 | 2                       | PS400055 | 3    |
| 021899-000 | 2                       | PS400057 | 3    |
| 021917-000 | 9                       | PS400058 | 3    |
| 022956-000 | 10                      | PS400059 | 3    |
| PR160032   | 8                       | PS400061 | 3    |
| PS400006   | 14                      | PS400062 | 3    |
| PS400008   | 14                      | PS400063 | 3, 5 |
| PS400010   | 10, 14                  | PS400065 | 3    |
| PS400012   | 10, 14                  | PS400066 | 13   |
| PS400013   | 1, 5, 8, 10, 11, 14, 15 | PS400067 | 4    |
| PS400014   | 14                      | PS400069 | 4    |
| PS400015   | 10, 14                  | PS400070 | 4    |
| PS400016   | 6, 10, 14               | PS400071 | 4    |
| PS400017   | 12                      | PS400072 | 4    |
| PS400018   | 12                      | PS400073 | 4    |
| PS400022   | 12                      | PS400074 | 11   |
| PS400024   | 12                      | PS400075 | 11   |
| PS400025   | 12                      | PS400076 | 11   |
| PS400026   | 12                      | PS400077 | 11   |
| PS400028   | 6                       | PS400078 | 11   |
| PS400029   | 15                      | PS400079 | 11   |
| PS400030   | 15                      | PS400080 | 11   |
| PS400031   | 15                      | PS400081 | 11   |
| PS400032   | 15                      | PS400083 | 11   |
| PS400033   | 15                      | PS400084 | 11   |
|            |                         | PS400085 | 11   |



|          |                    |          |   |
|----------|--------------------|----------|---|
| PS400087 | 11                 | PS400133 | 5 |
| PS400088 | 11                 | PS400134 | 5 |
| PS400089 | 11                 | PS400135 | 5 |
| PS400090 | 9                  | PS400136 | 5 |
| PS400091 | 9                  | PS400137 | 5 |
| PS400092 | 9                  | PS400138 | 5 |
| PS400093 | 9                  | PS400139 | 5 |
| PS400094 | 9                  | PS400140 | 5 |
| PS400095 | 9                  | PS400141 | 5 |
| PS400096 | 9                  | PS400143 | 5 |
| PS400097 | 9                  | PS400144 | 5 |
| PS400098 | 9                  | PS400145 | 5 |
| PS400099 | 9                  | PS400146 | 5 |
| PS400101 | 9                  | PS400147 | 5 |
| PS400102 | 9                  | PS400148 | 5 |
| PS400103 | 9                  | PS400149 | 5 |
| PS400104 | 9                  | PS400150 | 5 |
| PS400105 | 9                  | PS400151 | 5 |
| PS400106 | 9                  | PS400152 | 5 |
| PS400107 | 9                  | PS400153 | 2 |
| PS400109 | 9                  | PS400154 | 2 |
| PS400110 | 9                  | PS400155 | 2 |
| PS400111 | 9                  | PS400156 | 2 |
| PS400112 | 9                  | PS400158 | 2 |
| PS400114 | 9                  | PS400159 | 2 |
| PS400115 | 9                  | PS400161 | 2 |
| PS400116 | 9                  | PS400162 | 2 |
| PS400117 | 9                  | PS400163 | 2 |
| PS400118 | 9                  | PS400164 | 2 |
| PS400119 | 9                  | PS400165 | 2 |
| PS400120 | 9                  | PS400166 | 2 |
| PS400121 | 9                  | PS400167 | 2 |
| PS400122 | 5                  | PS400168 | 2 |
| PS400123 | 5                  | PS400169 | 2 |
| PS400124 | 5                  | PS400170 | 2 |
| PS400125 | 5                  | PS400171 | 2 |
| PS400128 | 5                  | PS400172 | 1 |
| PS400129 | 1, 2, 5, 9, 11, 15 | PS400173 | 1 |
| PS400130 | 5                  | PS400174 | 1 |
| PS400131 | 5                  | PS400175 | 1 |
| PS400132 | 5                  | PS400176 | 1 |



|          |        |          |    |
|----------|--------|----------|----|
| PS400177 | 1      | PS400224 | 10 |
| PS400178 | 1      | PS400225 | 10 |
| PS400179 | 1      | PS400227 | 14 |
| PS400180 | 1, 8   | PS400229 | 6  |
| PS400181 | 1      | PS400231 | 12 |
| PS400182 | 1      | PS400232 | 12 |
| PS400183 | 1      | PS400233 | 12 |
| PS400184 | 1      | PS400234 | 3  |
| PS400185 | 1, 8   | PS400235 | 3  |
| PS400186 | 1      | PS400236 | 7  |
| PS400187 | 1      | PS400237 | 10 |
| PS400188 | 1      | PS400238 | 14 |
| PS400189 | 1      | PS400361 | 5  |
| PS400190 | 1      | PS400430 | 7  |
| PS400191 | 1      |          |    |
| PS400192 | 1      |          |    |
| PS400193 | 1      |          |    |
| PS400194 | 1      |          |    |
| PS400195 | 1      |          |    |
| PS400197 | 8      |          |    |
| PS400198 | 8      |          |    |
| PS400199 | 8      |          |    |
| PS400200 | 8      |          |    |
| PS400201 | 8      |          |    |
| PS400202 | 8      |          |    |
| PS400204 | 8      |          |    |
| PS400205 | 8      |          |    |
| PS400206 | 8      |          |    |
| PS400207 | 8      |          |    |
| PS400208 | 8      |          |    |
| PS400209 | 8      |          |    |
| PS400212 | 7      |          |    |
| PS400213 | 7      |          |    |
| PS400214 | 6      |          |    |
| PS400216 | 10, 14 |          |    |
| PS400217 | 10     |          |    |
| PS400218 | 10     |          |    |
| PS400220 | 10     |          |    |
| PS400221 | 10, 14 |          |    |
| PS400222 | 10     |          |    |
| PS400223 | 10     |          |    |