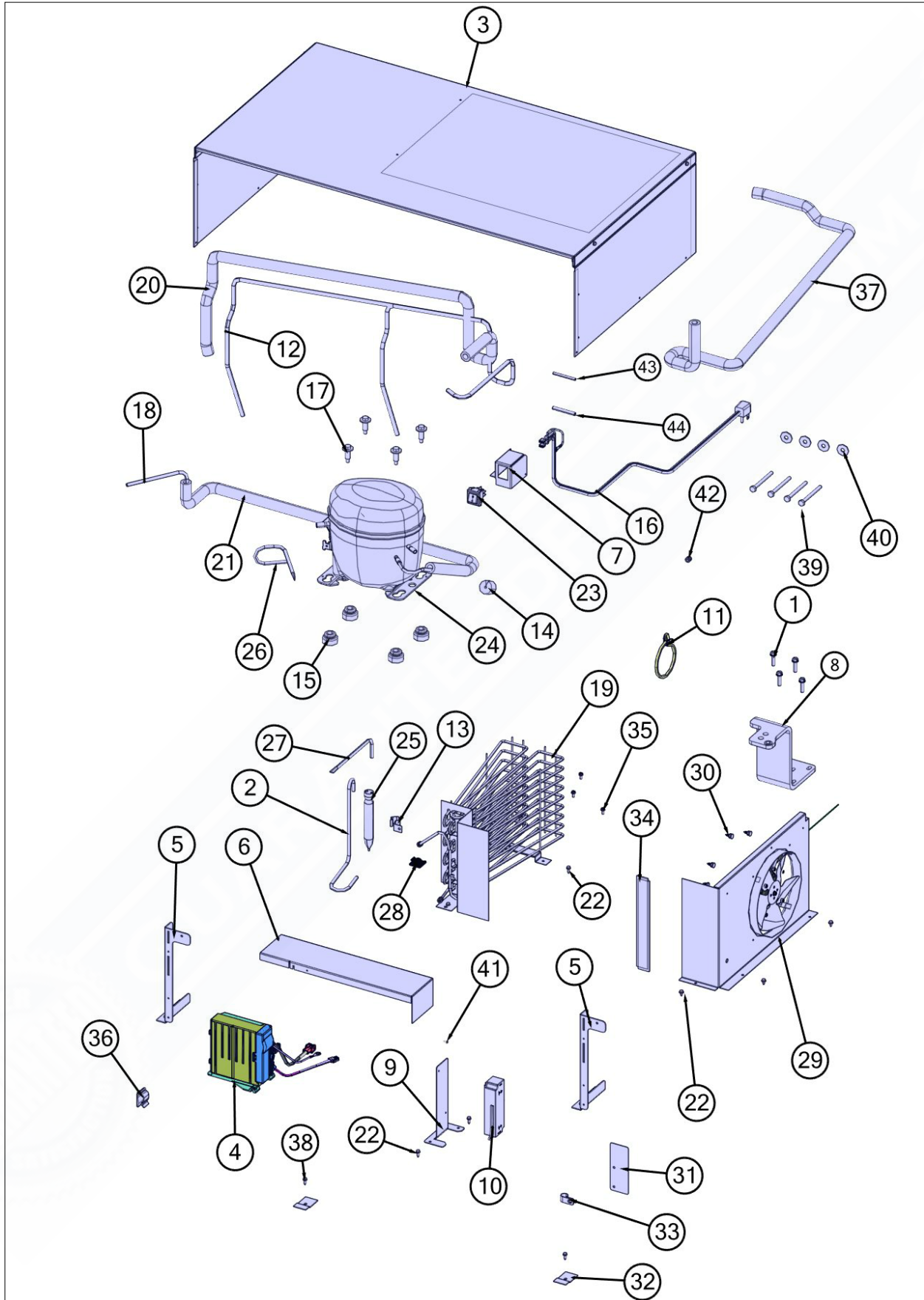


VCRB5363RSS03

GUARANTEEDPARTS.COM



Top View





Item	Part No.	Name	Qty	Uom	NOTES
1	000570-000	FASTENER, BOLT, 1/4-20 IHXWS 1" S ZN SER	4	EA	
2	003325-000	TUBE DRIER COND	1	EA	
3	007979-000	MC COVER ASM BI 36	1	EA	
4	050926-000	INVERTER, CMPR, ASM	1	EA	
5	014190-000	BRACKET, GRILLE SUPPORT	2	EA	
6	014369-000	DIVERTER AIR HI SIDE 36	1	EA	
7	025433-000	BRACKET, SW, POWER	1	EA	
8	044358-000	UPPER HINGE ASM, LH	1	EA	
8	044359-000	UPPER HINGE ASM, RH	1	EA	
9	050009-000	BRKT, POWER SUPPLY	1	EA	
10	050036-000	ASSY, REF, 24VDC, PWR SUP, TERM	1	EA	
11	M0322202	TIE-WIRE	1	EA	
12	F20911126	TUBE SUCTION AR 30	1	EA	
13	10547001	CLIP-DRIER V10547001	1	EA	
14	10699601	DAMPER-TUBING .8	2	EA	
15	10835901	GROMMET RUBBER V10835901	4	EA	
16	059105-000	CORD, PWR, BM, LEAD TERMINALS	1	EA	
17	M0221523	SCREW - SHLDR	4	EA	
18	F20910729	TUBE DISCHARGE FORMED AF AR 36	1	EA	
19	068353-000	CONDENSER ASM W/COPPER ENDS	1	EA	
20	PB970188	INSULATION TUBING 45.000	1	EA	
21	PB970188	INSULATION TUBING 45.000	1	EA	
22	PD020194	SCR, HEX SRTD WSHR HD, #8- 18 X 1/2	13	EA	
23	PE950149	SWITCH POWER	1	EA	
24	054295-000	CMPR, FZ, BM 7 SERIES	1	EA	
25	PM010616	DRIER - HIGH SIDE	1	EA	
26	F2096507	TUBE-PROCESS GRN	1	EA	
27	F2097740	TUBE PROCESS	1	EA	
28	M0104106	CLIP-CORD VM0104106	1	EA	



Item	Part No.	Name	Qty	Uom	NOTES
29	050903-000	CONDENSER FAN ASM	1	EA	
30	PD020038	SCREW-#10 X 3/8 HEX WH.HD.T(F)GREEN	10	EA	
31	000975-000	SUPPORT, FAN SWITCH	2	EA	
32	K2096943	PANEL BRACKET	2	EA	
33	PD030118	INSULATED CLAMP	1	EA	
34	A3189370	GASKET-FOAM VA3189370	2	EA	
35	PD020010	10 X 3/8 GREEN GROUNDING SCREW	4	EA	
36	M0104102	CLIP-CORD RED	1	EA	
37	PB970187	INSULATION TUBING 57.500 WC, 5 SERIES	1	EA	
38	PD020194	SCR, HEX SRTD WSHR HD, #8- 18 X 1/2	2	EA	
39	M0223509	SCREW-LAG	4	EA	
40	M0270510	WASHER #	4	EA	
41	PD020223	SCREW PHP 6-32 X .250	8	EA	
42	007407-000	RING,LOK, .187 DIA	1	EA	
43	068357-000	COUPLER, COMPRESSOR, 3/16" AR	1	EA	
44	068358-000	COUPLER, COPPER, COMPRESSOR, 1/4" AR	1	EA	

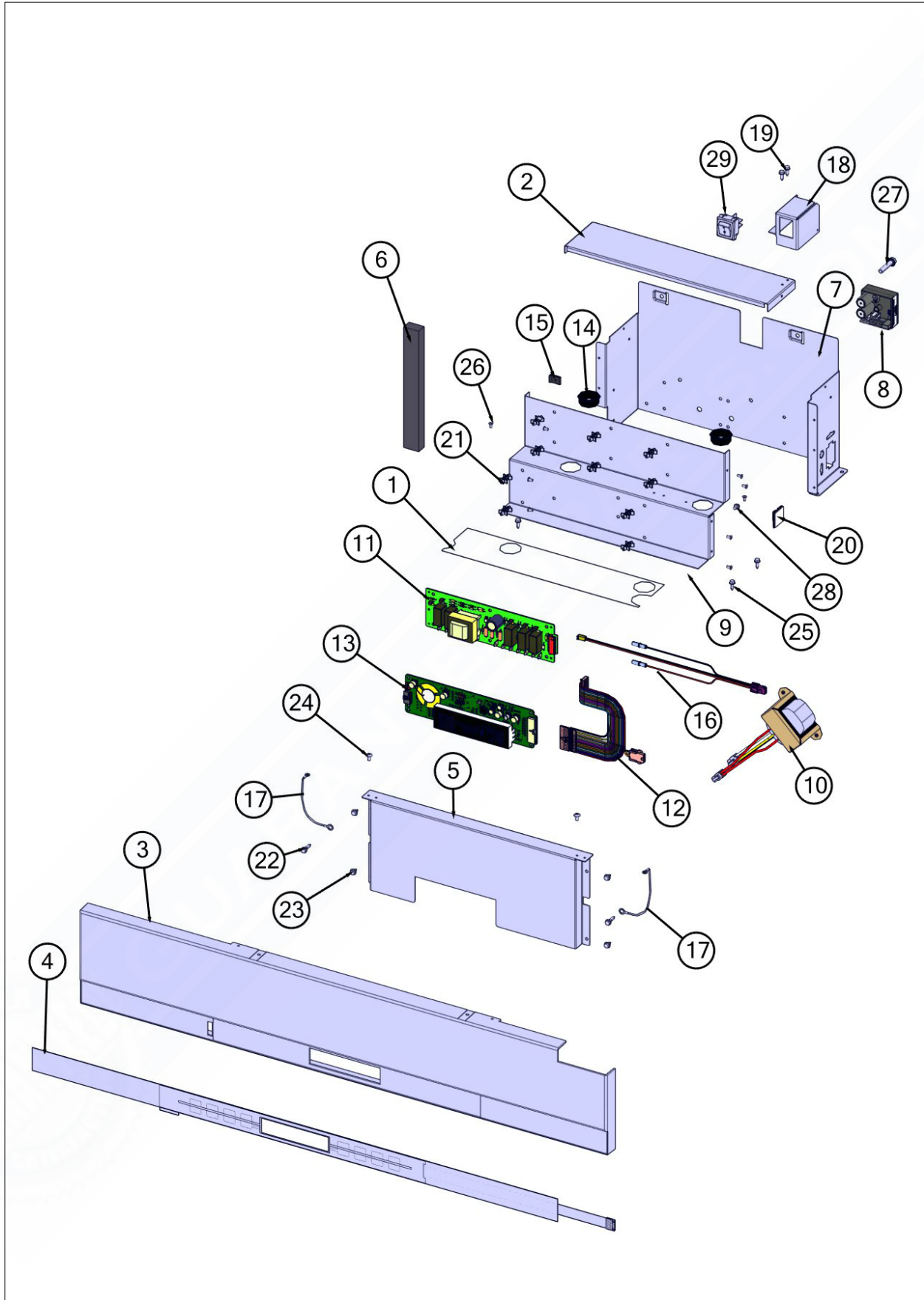


Item	Part No.	Name	Qty	Uom	NOTES
1	051575-000	COVER SUMP UPPER AR 36, W/TAB	1	EA	
2	062298-000	COVER, EVAP, 36 AR, ASSY	1	EA	
3	051867-000	SUPPORT, BACK, AR	1	EA	
4	071769-006	LADDER SIDE AR PIZZA	2	EA	
5	054171-000	LOUVER, AR, 36	3	EA	
6	042673-000	SHELF, GL, 36" NANO SHELF ASSY	2	EA	
7	PM910455	EVAPORATOR AR 36	1	EA	
8	056606-000	EVAP HEATER KIT, 36	1	EA	
9	020550-000	HARNESS,FAN,SPLT,3	1	EA	
10	065039-000	BRACKET, EVAP, COVER, R, AR, SNAP, ASSY	1	EA	
11	065038-000	BRACKET, EVAP, COVER, L, AR, SNAP, ASSY	1	EA	
12	043203-000	SHELF ASM GLASS AR/BM 36	3	EA	
13	050844-000	COVER, THERMISTOR, FF	1	EA	
14	013397-000	1" PAINTED LADDER SCREW	22	EA	
15	C8983701	THERMISTOR	1	EA	
16	010093-000	PLASMA CLUSTER	1	EA	
17	043844-000	HOUSING, PCI, BM	1	EA	
18	014399-000	TAPE,FOAM,DBL SIDED	1	EA	
19	054214-000	FAN BRACKET, AR, 36	1	EA	
20	055002-000	FAN, LARGE, AR 30/36	4	EA	
21	010866-000	SCR WH SLTD HEX WSHR HD #8-18 X 1	2	EA	
22	007301-000	GROMMET,RUBBER	16	EA	
23	G50912334	DRAWER DELI ASM AR 36	4	EA	
24	012396-000	DRAWER,PRODUCE,ASM 36 AR/BM	2	EA	
25	020549-000	HARNESS,FAN,SPLT,2	1	EA	
26	PK030439	GLIDE CENTER SUPPORT AR 36	3	EA	
27	046235-000	SLIDE, DWR, SOFT CLOSE - RH	6	EA	
28	044214-000	SUPPORT SLIDE R (See PK930290)	3	EA	



Item	Part No.	Name	Qty	Uom	NOTES
29	055004-000	TUBE CAPILLARY ASM AR 30/36	1	EA	
30	PD020194	SCR, HEX SRTD WSHR HD, #8- 18 X 1/2	6	EA	
31	024279-000	FASTENER,SRTD,HXWH,BLK,# 8-18 X 1/2	4	EA	
32	M0253916	SCR 8-32 SHXW 3/8 TRI-LOBE	2	EA	
33	PD920161	SCR 8-16 PLASTITE PNP 3/8 S	24	EA	
34	044219-000	SUPPORT SLIDE L (See PK930291)	3	EA	
35	046255-000	SLIDE, DWR, SOFT CLOSE - LH	6	EA	
36	056228-000	GASKET, MOUNT, FAN, LARGE, AR 36	4	EA	
37	M0274067	WASHER-NYLON	8	EA	
38	12115101	CLAMP-TUBE V12115101	1	EA	
39	PB070288	1/4" X 1/2" CLOSED CELL SPONGE	4	EA	
40	M0104106	CLIP-CORD VM0104106	1	EA	
41	042766-000	LED LIGHT, 8-POINT	2	EA	
42	042764-000	LED LIGHT, 3-POINT	12	EA	
NI	058966-000	DEFROST TERMINATOR	1	EA	
NI	076855-000	THERMISTOR, MITSUBISHI, PROBE STYLE 5 SERIES	1	EA	

Control View

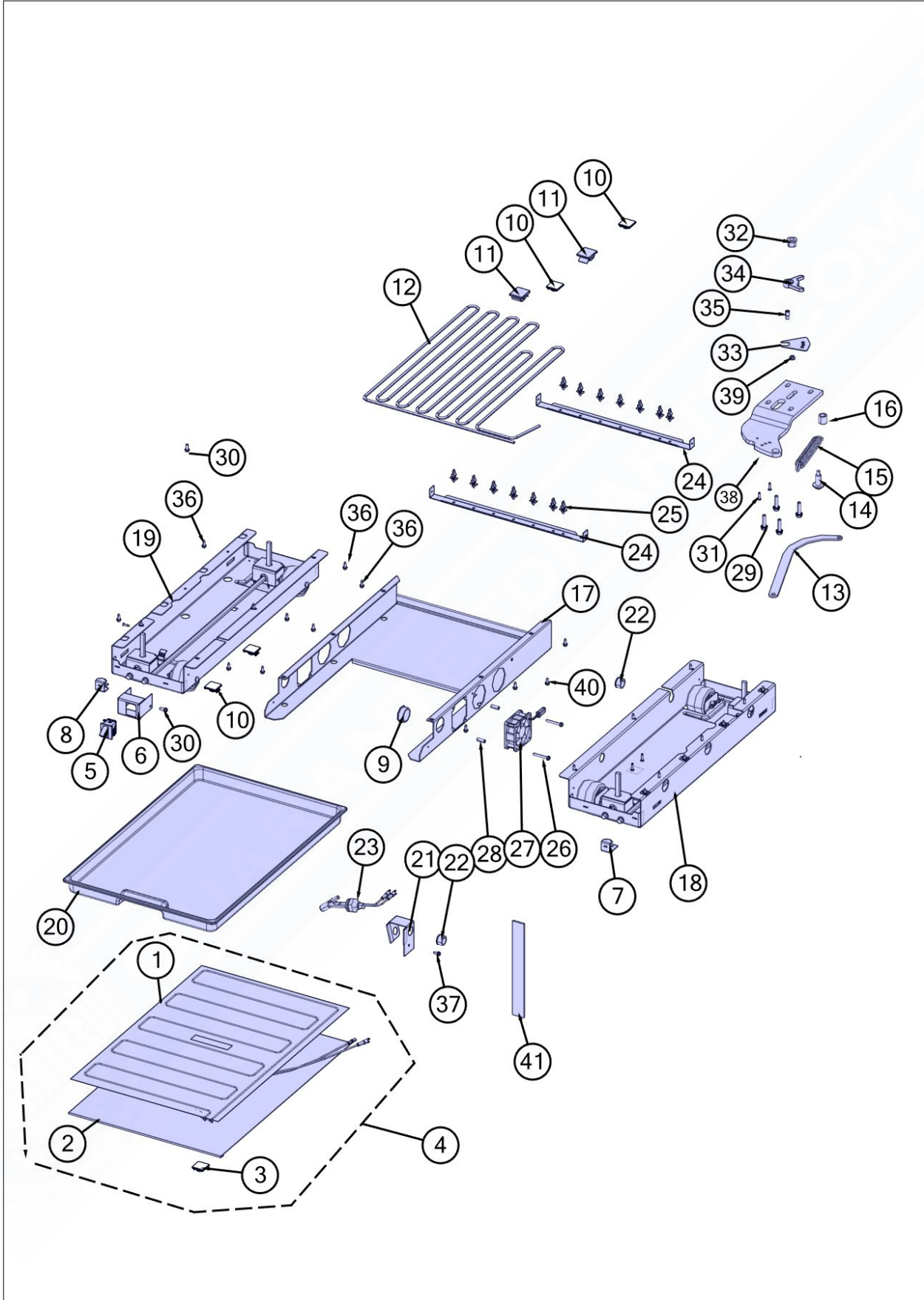


Item	Part No.	Name	Qty	Uom	NOTES
1	005396-000	FILM,PROTECTIVE	1	EA	
2	K20915000	CONTROL BOX TOP	1	EA	
3	016446-000	PANEL CONTROL AF/AR 36 L	1	EA	
3	016448-000	PANEL CONTROL AF/AR 36 R	1	EA	
4	046872-000	OVERLAY, SW, ASM, AR 36	1	EA	
5	016930-000	MOTR CONTROL BOX FRONT	1	EA	
6	A3030361	GASKET RED	1	EA	
7	047016-000	MOTOR CONTROL BOX	1	EA	
8	046385-000	CIRCUIT, LED SOFT START	1	EA	
9	044479-000	MOTOR BRACKET PCB	1	EA	
10	046386-000	TRANSFORMER, LED SOFT START	1	EA	
11	005319-000	POWER CONTROL BOARD ASM	1	EA	
12	PE970464	HARNESS LOW VOLT	1	EA	
13	057309-000	BOARD, LOW VOLTAGE	1	EA	
14	A4554817	BUSHING-SNAP VA4554817	2	EA	
15	M0288120	NUT-SPEED VM0288120	1	EA	
16	PE970609	HARNESS CONTROL BOARD	1	EA	
17	12064001	SUPP-CONT PANEL	2	EA	
18	025433-000	BRACKET,SW,POWER	1	EA	
19	PD020194	SCR, HEX SRTD WSHR HD, #8-18 X 1/2	2	EA	
20	M0104106	CLIP-CORD VM0104106	1	EA	
21	M0585504	SUPPORT	10	EA	
22	M0238859	SCREW-SHLDR	2	EA	
23	PD020193	SCR 8-18 X 3/8	4	EA	



Item	Part No.	Name	Qty	Uom	NOTES
24	M0224128	SCR 8-18 B TRP 5/16 S	2	EA	
25	PD020194	SCR, HEX SRTD WSHR HD, #8-18 X 1/2	4	EA	
26	PC040010	POP RIVET (.063/GR -.125) GAMD42-A	2	EA	
27	048308-000	SCREW, 1/4-20 X 1.25 NBS	1	EA	
28	PD020187	SCR 8-32 MCH HXWS 1/4 S ZN	2	EA	
29	PE950149	SWITCH POWER	1	EA	

Bottom View

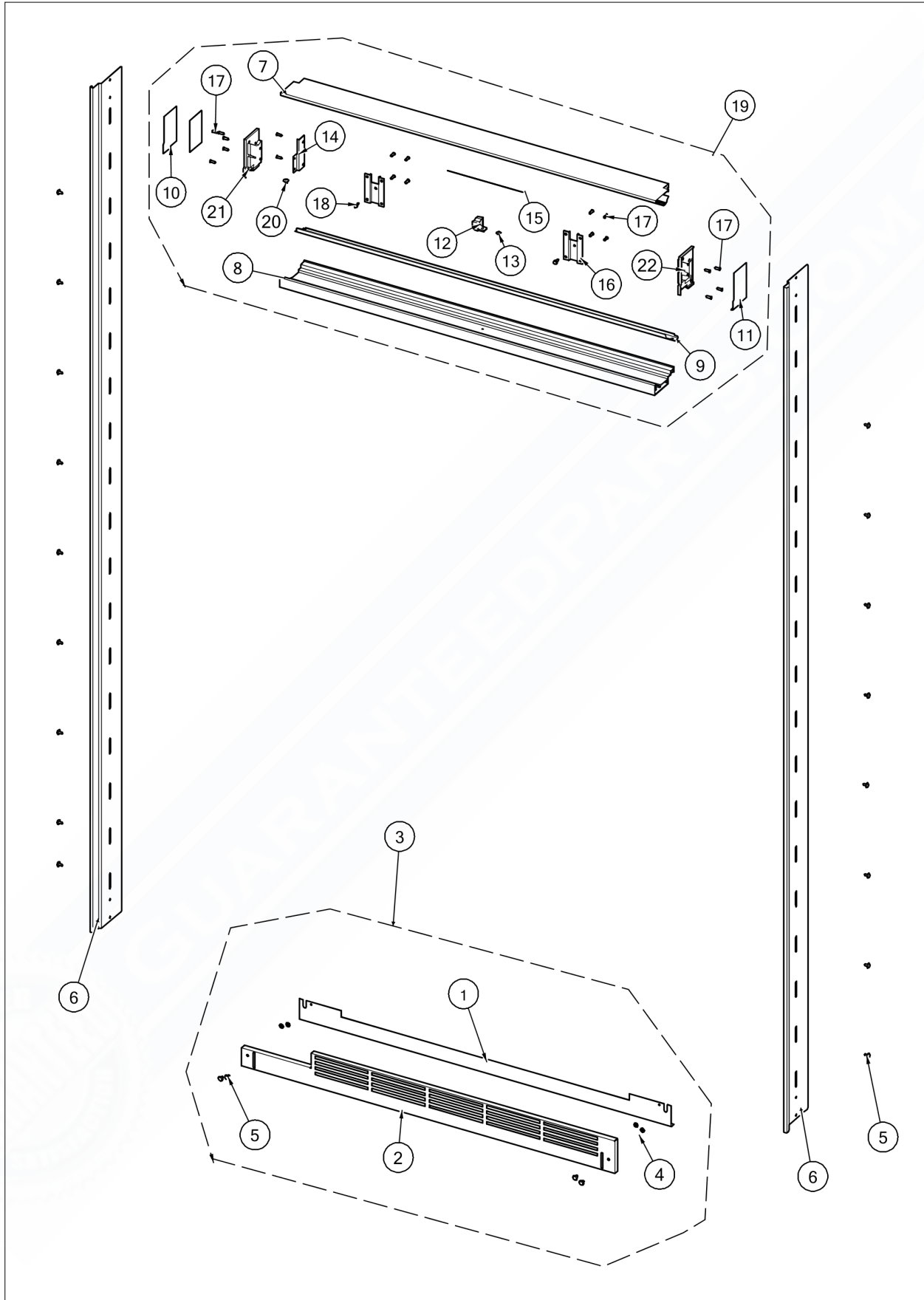


Item	Part No.	Name	Qty	Uom	NOTES
1	G50911853	TRAY PAN HEATER	1	EA	
2	L20914124WH	TRAY PAN HEATER	1	EA	
3	M0104106	CLIP-CORD VM0104106	1	EA	
4	G50911853	TRAY PAN HEATER	1	EA	
5	046063-000	SWITCH, SPST NC GRAY	1	EA	
6	044939-000	BRACKET, LT SWITCH	1	EA	
7	K2098044	BRKT GRILLE SUPPORT	1	EA	
8	K2098096	BRKT GRILLE SUPPORT	1	EA	
9	A4554817	BUSHING-SNAP VA4554817	1	EA	
10	M0104106	CLIP-CORD VM0104106	4	EA	
11	M0104102	CLIP-CORD RED	2	EA	
12	F20915696	SERPENTINE CONDENSER DRAIN	1	EA	
13	043258-000	BAR, BOTTOM HINGE, LH, WC	1	EA	
13	043261-000	BAR, BOTTOM HINGE, RH, WC	1	EA	
14	M0221523	SCREW - SHLDR	1	EA	
15	003867-000	SPRING EXTENSION	1	EA	
16	PD940107	ROUND SPRING SPACER	1	EA	
17	K20915952	SHIELD BOTTOM DRAIN	1	EA	
18	060890-000	LEVELER, MODULE, R	1	EA	
19	060891-000	LEVELER, MODULE, L	1	EA	
20	PK930348	PAN DRAIN	1	EA	
21	B20915627	BRACKET HORIZ FLOAT SWITCH	1	EA	
22	A4554806	BUSHING-SNAP VA4554806	2	EA	
23	PE050248	FLOAT SWITCH HORIZONTAL	1	EA	
24	K20911831	BRACKET CONDENSATE SUPPORT	2	EA	
25	PD030146	STAND OFF LOCK CLIP	14	EA	
26	PD020274	SCR SLTD HEX WSHR HD 8X1.250 BT	2	EA	
27	013112-000	AXIAL FAN	1	EA	
28	011332-000	SPACER,NYL	2	EA	
29	000570-000	FASTENER, BOLT, 1/4-20 IHXWS 1" S ZN SER	4	EA	



Item	Part No.	Name	Qty	Uom	NOTES
30	M0220417	SCREW-TC	2	EA	
31	PC940017	POP RIVET, 1/8" X 1/2"	2	EA	
32	044373-000	BUSHING, DOOR LEVEL	1	EA	
33	044511-000	PLATE, DOOR, SHIM	1	EA	
34	044372-000	BUSHING, DOOR STOP	1	EA	
35	044374-000	PIN, DOOR STOP	1	EA	
36	PD020194	SCR, HEX SRTD WSHR HD, #8-18 X 1/2	18	EA	
37	M0253916	SCR 8-32 SHXW 3/8 TRI-LOBE	1	EA	
38	044046-000	HINGE PLATE, LH, LWR 30/36AFAR, 42, 48	1	EA	
38	044026-000	HINGE PLATE, RH, LWR 30/36ARAF, 42, 48	1	EA	
39	PD940094	BUSHING	1	EA	
40	PD020010	10 X 3/8 GREEN GROUNDING SCREW	10	EA	
41	A3189370	GASKET-FOAM VA3189370	1	EA	

DECOR





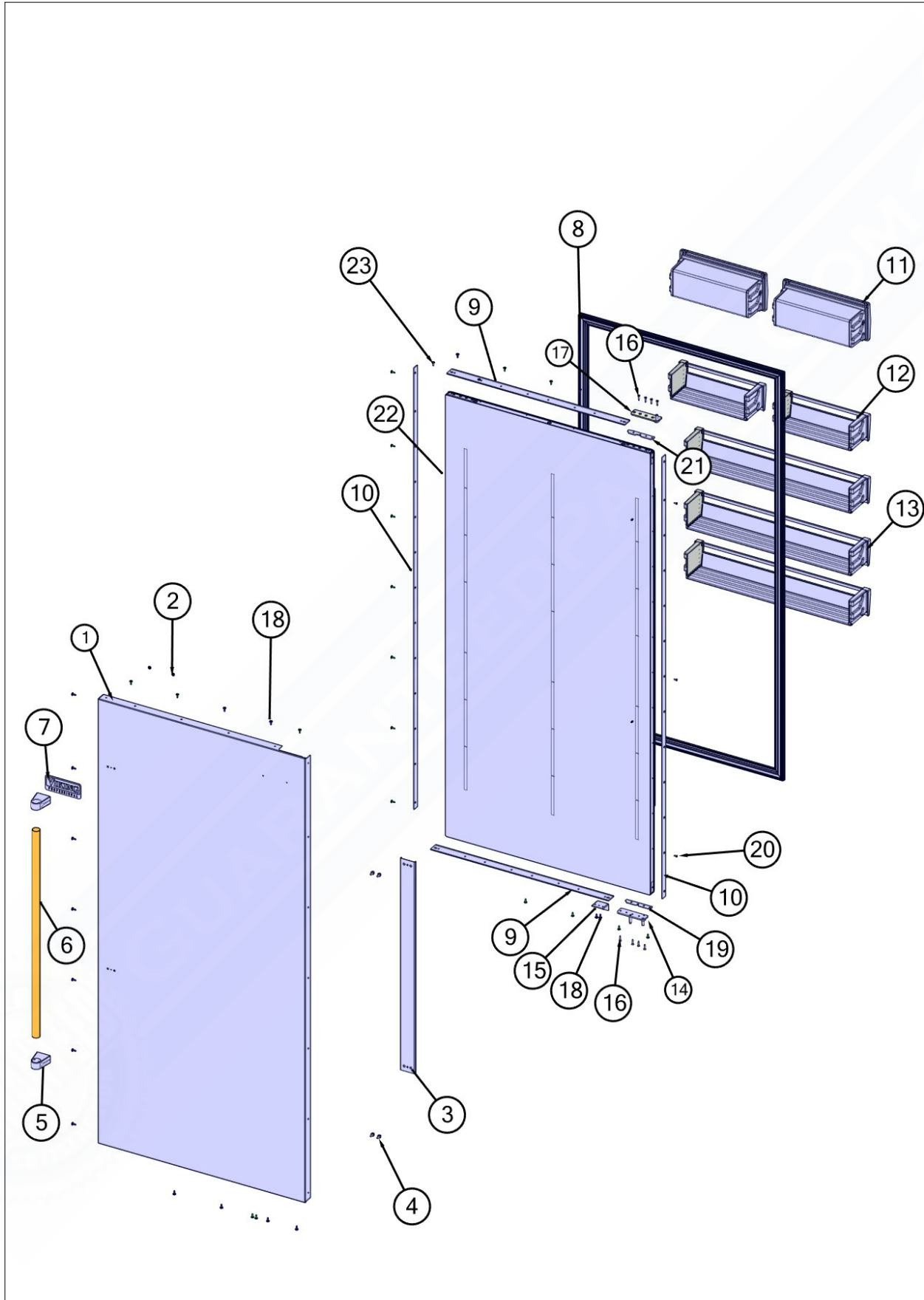
Item	Part No.	Name	Qty	Uom	NOTES
1	044137-000	KICKPLATE, LWR	1	EA	
2	047022-000	VENT, TOE, GRILLE, 36, AF, AR L	1	EA	
2	047021-000	VENT, TOE, GRILLE, 36, AF, AR, R	1	EA	
3	047907-000	GRILLE, TOE, ASM, 36 AF, AR L	1	EA	
3	047904-000	GRILLE, TOE, ASM, 36 AF, AR R	1	EA	
4	40370P01	WASHER, FLAT	4	EA	
5	PD020032	SRW-8(A)X3/8"PH.WFR HD 7/16DIA*NICL	22	EA	
6	PK910123	SIDE TRIM - PRO	2	EA	
7	016205-000	GRILLE LOUVER UPPER AF AR 36 DES FOL	1	EA	
8	016206-000	GRILLE LOUVER LOWER AF AR 36 L DES FOL	1	EA	
9	052278-000	LOUVER, CTR	1	EA	
10	033709-000	ENDCAP, GRILLE, L, HINGE	1	EA	
11	033710-000	ENDCAP, GRILLE, R, NO HINGE	1	EA	
12	PM910084	SUPPORT GRILLE 12201201	1	EA	
13	M0230028	SCREW-TC	1	EA	
14	K2099471	BRACKET GRILLE SUPPORT L	1	EA	
15	PF930523	GRILL BLADE LABEL (REFRIGERATOR)	1	EA	
16	PK050004	BRACKET GRILLE 5 SERIES	2	EA	
17	003004-000	8 - 18 X 1/2 ZN/CLR PHIL FLAT TRIM HD #5 TYPE AB TAPPING SCREW	19	EA	
18	PD020194	SCR, HEX SRTD WSHR HD, #8-18 X 1/2	2	EA	
19	034235-000	GRILLE, ASM, 36 AF/AR, PRO, LH	1	EA	
19	014639-000	GRILLE, ASM, 36 AF/AR, DES, RH	1	EA	
20	PD020234	SCREW THP 10-32 X .500 SS BO	1	EA	



Item	Part No.	Name	Qty	Uom	NOTES
21	PM910349	END CAP GRILLE L	1	EA	
22	PM910348	ENP CAP GRILLE R	1	EA	

GUARANTEED PARTS.COM

Door View





Item	Part No.	Name	Qty	Uom	NOTES
1	067807-000	SKIN, DOOR, AF AR 36 PRO RH, SS	1	EA	
1	067863-002	SKIN, DOOR, AF AR 36 PRO RH, DECARB BK	1	EA	
1	067863-005	SKIN, DOOR, AF AR 36 PRO RH, DECARB GG	1	EA	
1	067863-006	SKIN, DOOR, AF AR 36 PRO RH, DECARB WH	1	EA	
1	067863-008	SKIN, DOOR, AF AR 36 PRO RH, DECARB BU	1	EA	
1	067863-013	SKIN, DOOR, AF AR 36 PRO RH, DECARB CB	1	EA	
1	067863-024	SKIN, DOOR, AF AR 36 PRO RH, DECARB AR	1	EA	
1	067863-2801	36" Right Door Skin - Kalamata Red (KA)	1	EA	
1	067863-2847	36" Right Door Skin - Blackforest Green (BF)	1	EA	
1	067863-6180	36" Right Door Skin - Cypress Green (CY)	1	EA	
1	067863-6258	36" Right Door Skin - Cast Black (CS)	1	EA	
1	067863-6421	36" Right Door Skin - Vanilla Cream (VC)	1	EA	
1	067863-6765	36" Right Door Skin - Bywater Blue (BW)	1	EA	
1	067863-6797	36" Right Door Skin - Alluvial Blue (AB)	1	EA	
1	067863-6871	36" Right Door Skin - San Marzano Red (SM)	1	EA	
1	067863-7024	36" Right Door Skin - Pacific Grey (PG)	1	EA	
1	067863-7070	36" Right Door Skin - Frost White (FW)	1	EA	
1	067863-7585	36" Right Door Skin - Reduction Red (RE)	1	EA	
1	067863-7652	36" Right Door Skin -Artic Grey (AG)	1	EA	
1	067863-7674	36" Right Door Skin - Damascus Grey (DG)	1	EA	
1	067863-9178	36" Right Door Skin - Slate Blue (SB)	1	EA	
NI	003627-000	SHEET, FOAM 36 AR/AF	1	EA	



Item	Part No.	Name	Qty	Uom	NOTES
2	PD030006	PALNUT, CAPPED, WASHER	2	EA	
3	042374-000	BRACKET, HANDLE SUPPORT	1	EA	
4	M0204303	SCREW-MACH	4	EA	
5	026965-000	END CAP, ASM, DOOR HANDLE	2	EA	
6	030894-000	HANDLE, DOOR 36" BRIGADE	1	EA	
7	062341-000	NAMEPLATE, VIKING, 3.500", W/LOC PINS 5 SERIES	1	EA	
8	005447-000	GASKET,ASM,36,AFAR VID# 602711127-17	1	EA	
9	056845-000	TRIM DOOR BULLNOSE 36 TOP/BOT	2	EA	
10	014581-000	SPACER,TRIM,SXS,AF,AR	2	EA	
11	V12097404	DAIRY MODULE ASM	2	EA	
12	036882-000	DOORBIN ASM FF 36 HALF	2	EA	
13	036884-000	DOORBIN ASM FF 36 FULL	3	EA	
14	044344-000	PIVOT PL ASM LH LW PRO/DES	1	EA	
14	044063-000	PIVOT PL ASM RH LW PRO/DES	1	EA	
15	044314-000	STRIKER, DOOR SWITCH	1	EA	
16	PD920174	10X7/8 PHILLIPS SMA TRI LOBE SA	8	EA	
17	044360-000	UPPER PIVOT PLATE ASM, LH, SXS, AF/AR	1	EA	
17	044361-000	UPPER PIVOT PLATE ASM, RH, SXS, AF/AR	1	EA	
18	M0210458	SCR 8-18 X 5/8 WAFER PH SMS	18	EA	
19	PD040162	SPACER-DOOR HINGE	1	EA	
20	M0215318	SCREW-SM	3	EA	
21	001617-000	SPACER,NYL,PIVOT PLATE	1	EA	
22	007388-000	DOOR,FOAM,ASM,36 AR	1	EA	
23	PD020234	SCREW THP 10-32 X .500 SS BO	1	EA	