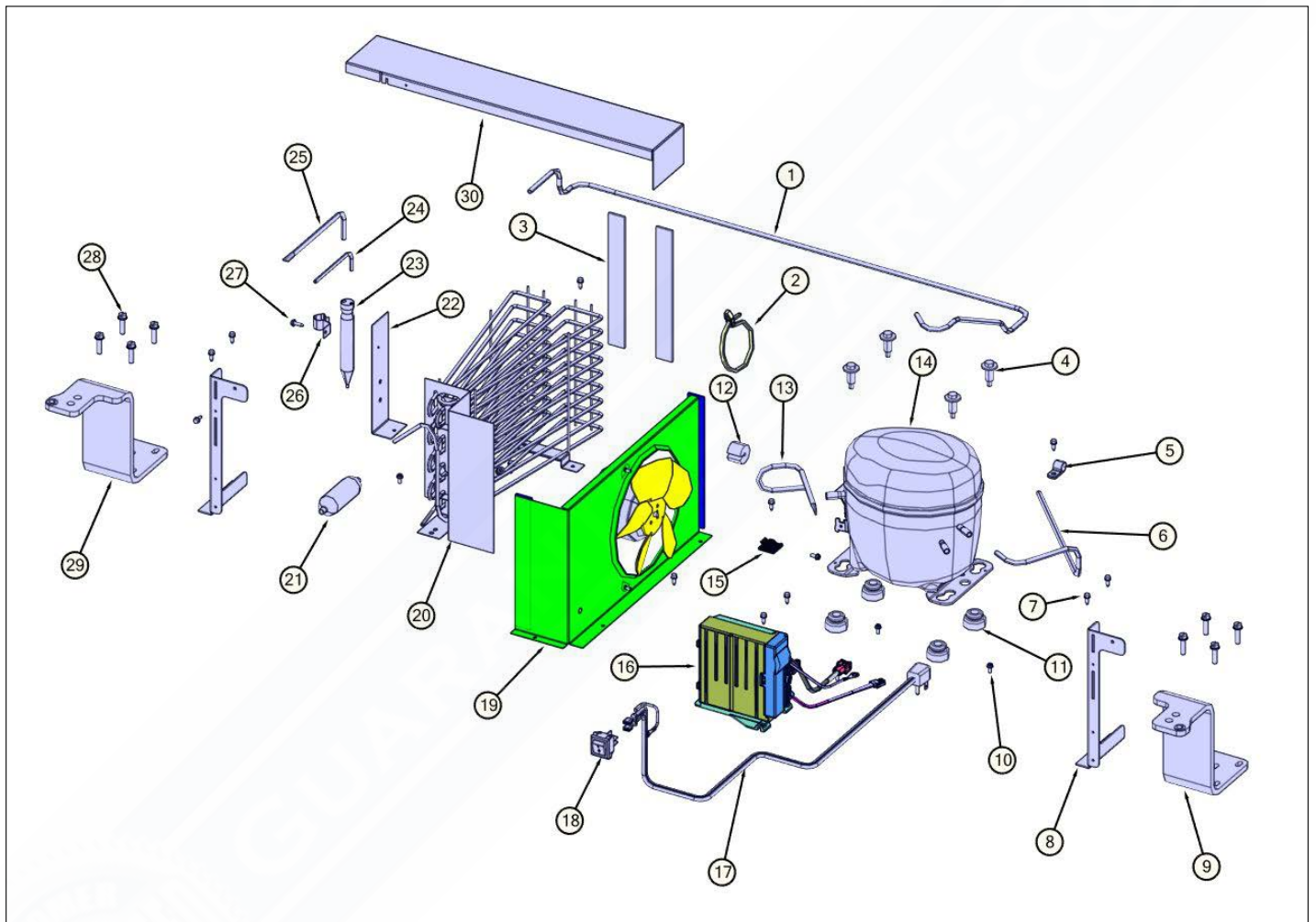


VCSB5482DSS

GUARANTEEDPARTS.COM

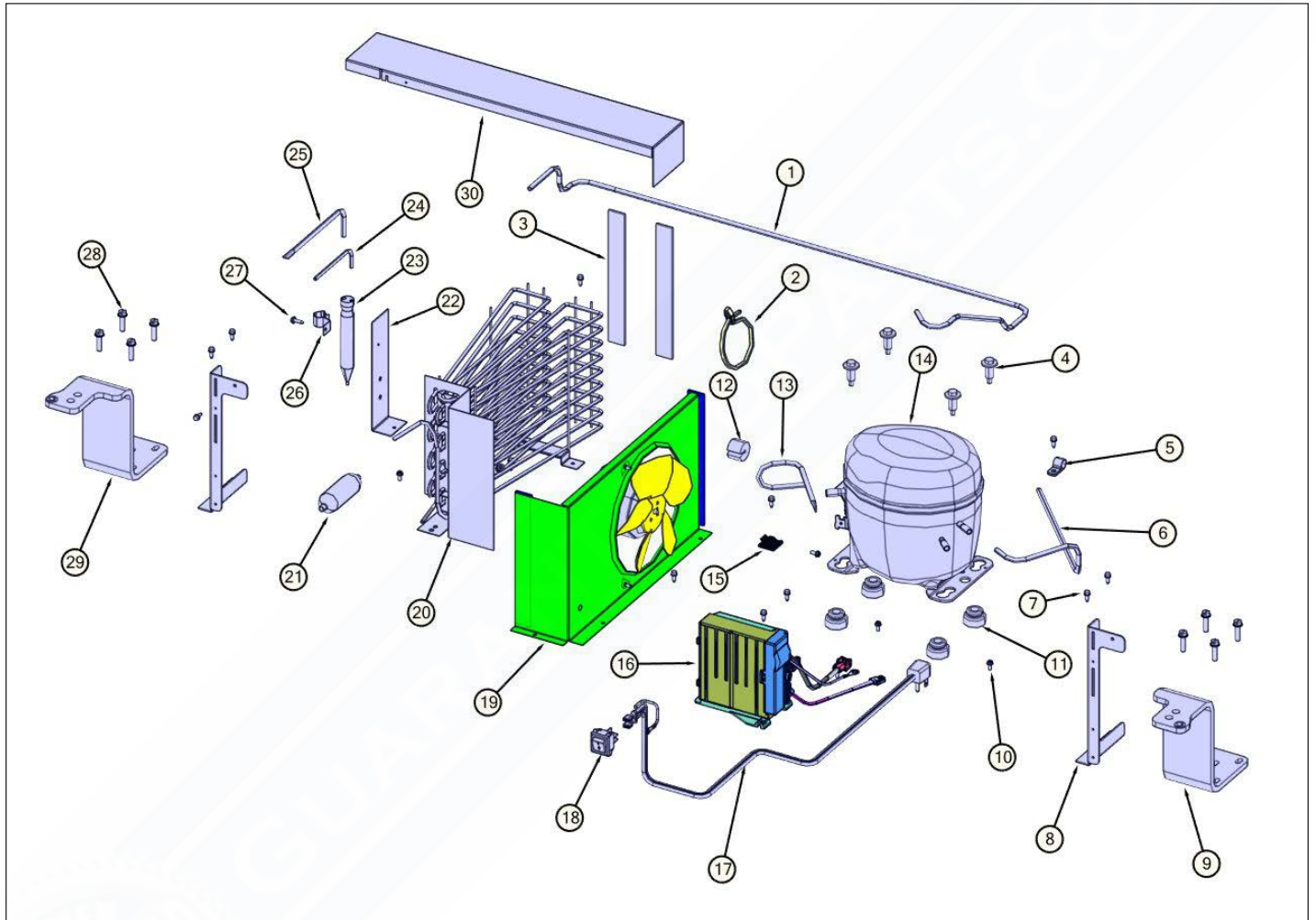


Top View





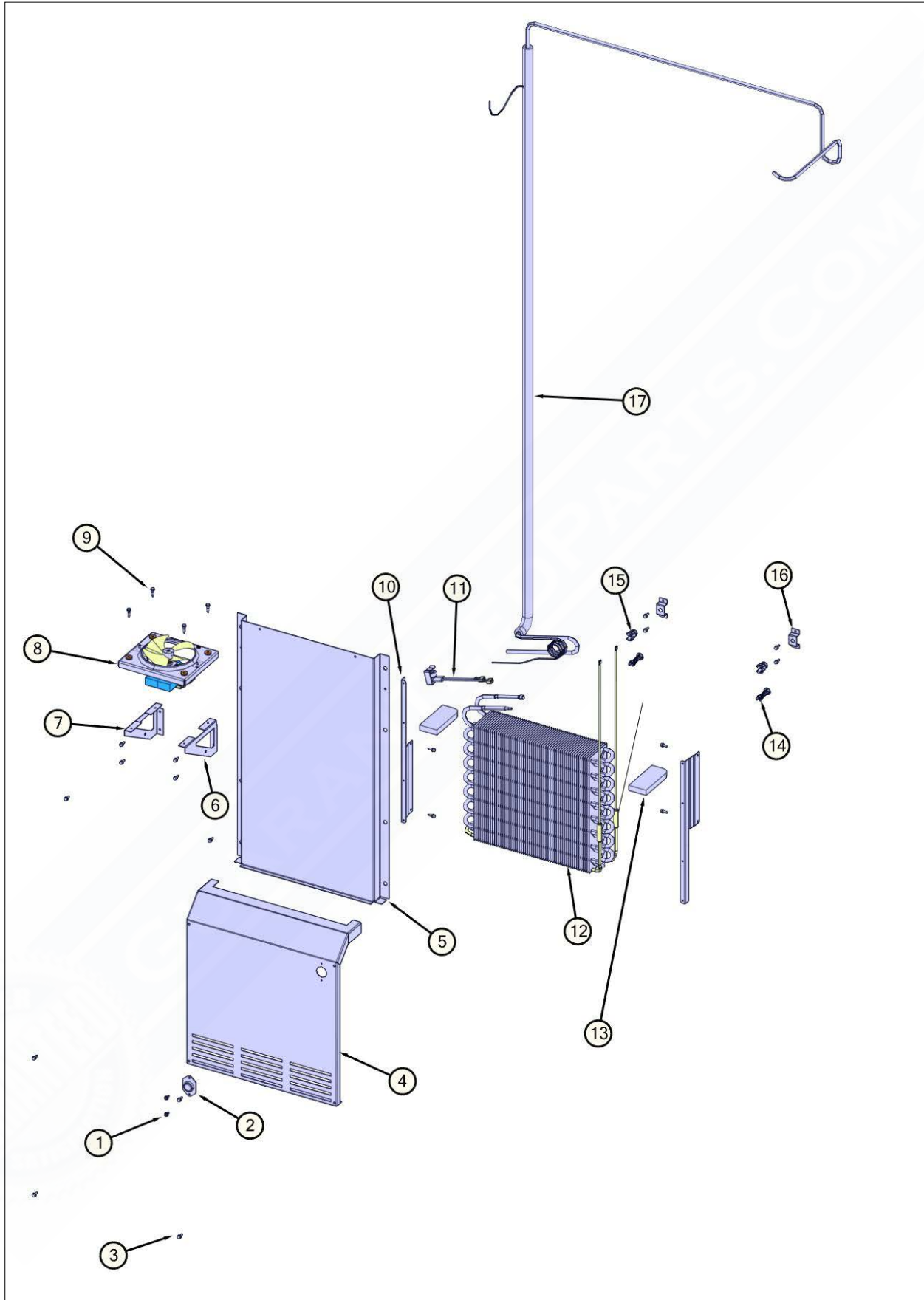
Item	Part No.	Name	Qty	Uom	NOTES
1	F2099443	TUBE DISCHARGE FORMED PRE ACCUM	1	EA	
2	M0322202	TIE-WIRE	7	EA	
3	a3189370	GASKET-FOAM VA3189370	2	EA	
4	M0221523	SCREW - SHLDR	4	EA	
5	pd030118	INSULATED CLAMP	1	EA	
6	F2099444	TUBE DISCHARGE FORMED POST ACCUM	1	EA	
7	PD020194	SCR, HEX SRTD WSHR HD, #8- 18 X 1/2	11	EA	
8	014190-000	BRACKET, GRILLE SUPPORT	2	EA	
9	044359-000	UPPER HINGE ASM, RH 30/36AFAR,42,48	1	EA	
10	PD020010	10 X 3/8 GREEN GROUNDING SCREW	6	EA	
11	10835901	GROMMET RUBBER V10835901	4	EA	
12	10699601	DAMPER-TUBING .8	2	EA	
13	f2096507	TUBE-PROCESS GRN	1	EA	
14	PM010619	COMPRESSOR VCC	1	EA	
15	m0104106	CLIP-CORD VM0104106	1	EA	
16	011666-000	INVERTER,CMPR,ASM	1	EA	
17	059105-000	CORD, PWR, BM, LEAD TERMINALS	1	EA	
18	PE950149	SWITCH POWER	1	EA	
19	g5096494	COND. FAN ASSY	1	EA	
20	068353-000	CONDENSER ASM W/COPPER ENDS	1	EA	
21	PB920201	ACCUMULATOR	1	EA	





Item	Part No.	Name	Qty	Uom	NOTES
22	K2099454	BRACKET DRIER	1	EA	
23	PM010616	DRIER - HIGH SIDE	1	EA	
24	F2096504	TUBE-DRIER EXT	1	EA	
25	f2097740	TUBE PROCESS	1	EA	
26	10547001	CLIP-DRIER V10547001	1	EA	
27	PD020195	SCR 8-18 X 5/8	2	EA	
28	000570-000	FASTENER, BOLT, 1/4-20 IHXWS 1" S ZN SER	8	EA	
29	044358-000	UPPER HINGE ASM, LH 30/36AFAR, 42, 48	1	EA	
30	014519-000	DIVERTER AIR HI SIDE SXS	1	EA	

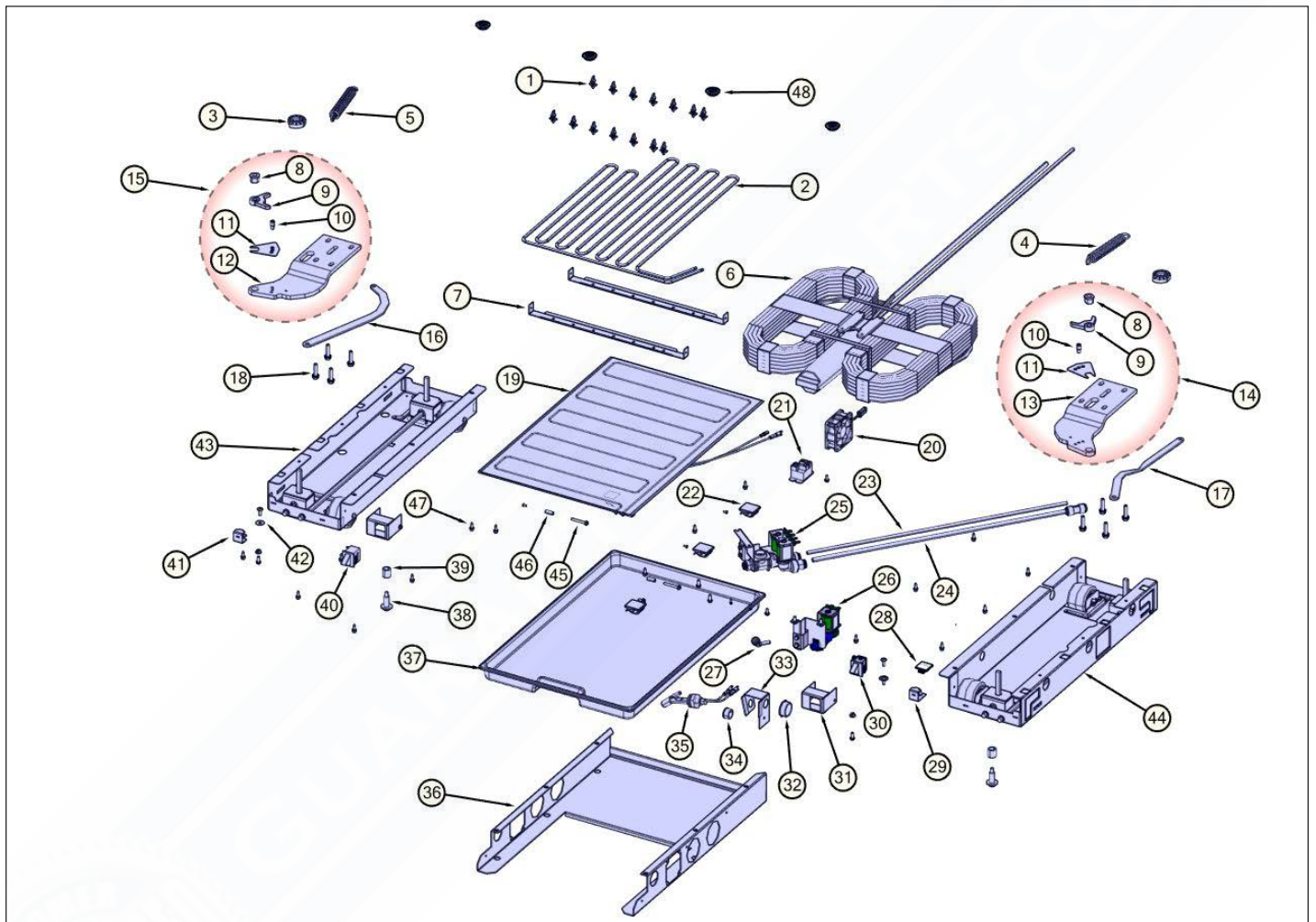
Lo Side Asm View





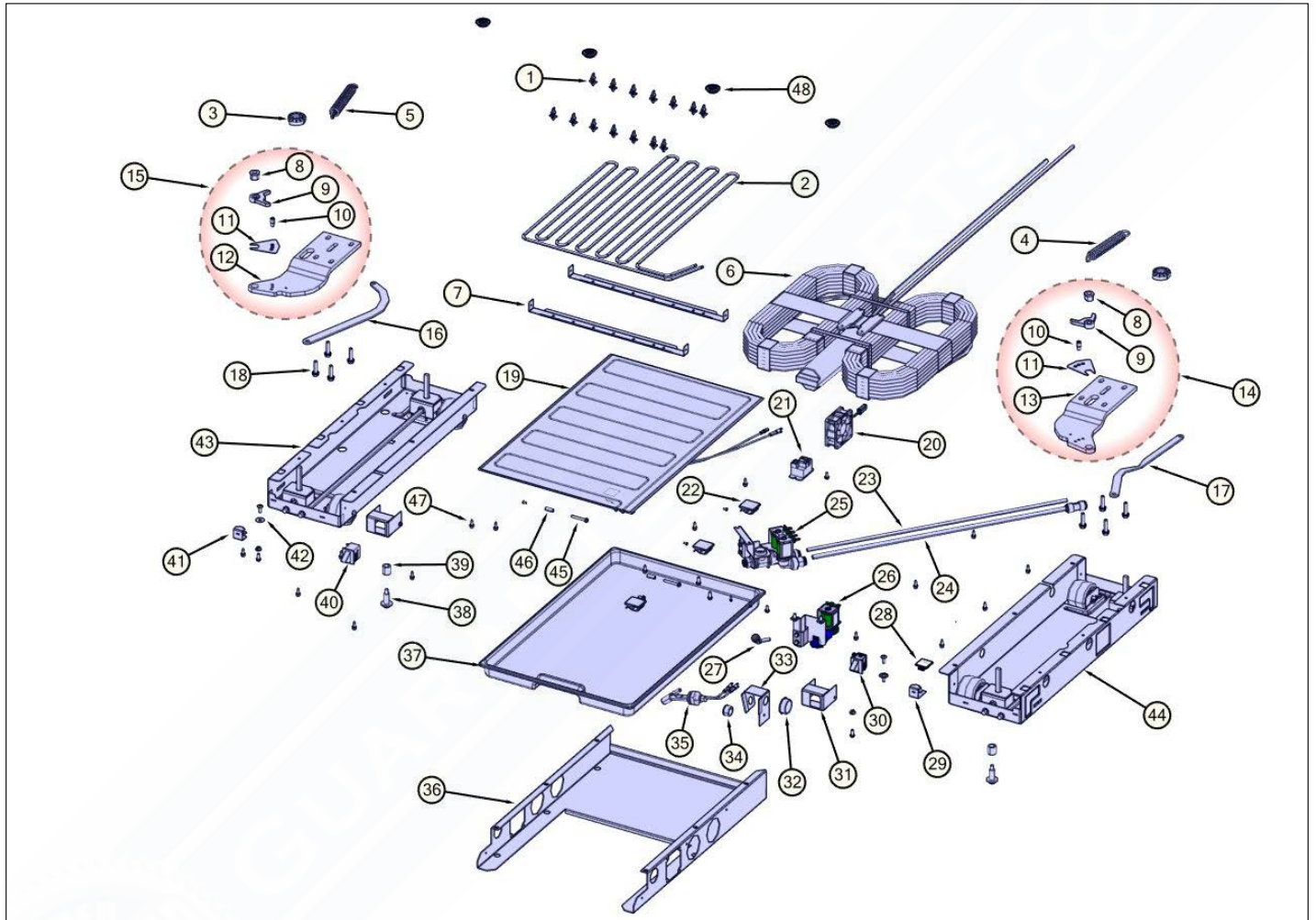
Item	Part No.	Name	Qty	Uom	NOTES
1	M0253916	SCR 8-32 SHXW 3/8 TRI-LOBE	2	EA	
2	C8983701	THERMISTOR	1	EA	
3	PD020194	SCR, HEX SRTD WSHR HD, #8-18 X 1/2	31	EA	
4	L20910054	COVER LOWER EVAP	1	EA	
5	L20910057	COVER CENTER EVAP	1	EA	
6	K2096457	BRKT-R-EVAP FAN 12223101	1	EA	
7	K2096458	BRKT-L-EVAP-FAN 12223102	1	EA	
8	G5098660	FAN EVAP ASM PANASONIC	1	EA	
9	M0238859	SCREW-SHLDR	4	EA	
10	K2096461	BRKT-EVAP COVER 12234801	2	EA	
11	058966-000	THERMOSTAT, SNAP ACTION, 55 OPEN 20 CLOSE	1	EA	
12	PM910206	EVAPORATOR SXS 48	1	EA	
13	10629001	BLOCK-R AIR COIL RED	2	EA	
14	10527401	CLIP-EVAP	2	EA	
15	10623003	CLIP-EVAP	2	EA	
16	K2096456	BRKT-EVAP CLIP 12215101	2	EA	
17	F20910021	HEAT EXCHANGER ASM SXS 48	1	EA	
18	PJ910031	HEATER EVAP SXS	1	EA	
NI	10428101	CLIP-EVAP HTR V10428101	2	EA	

Bottom View





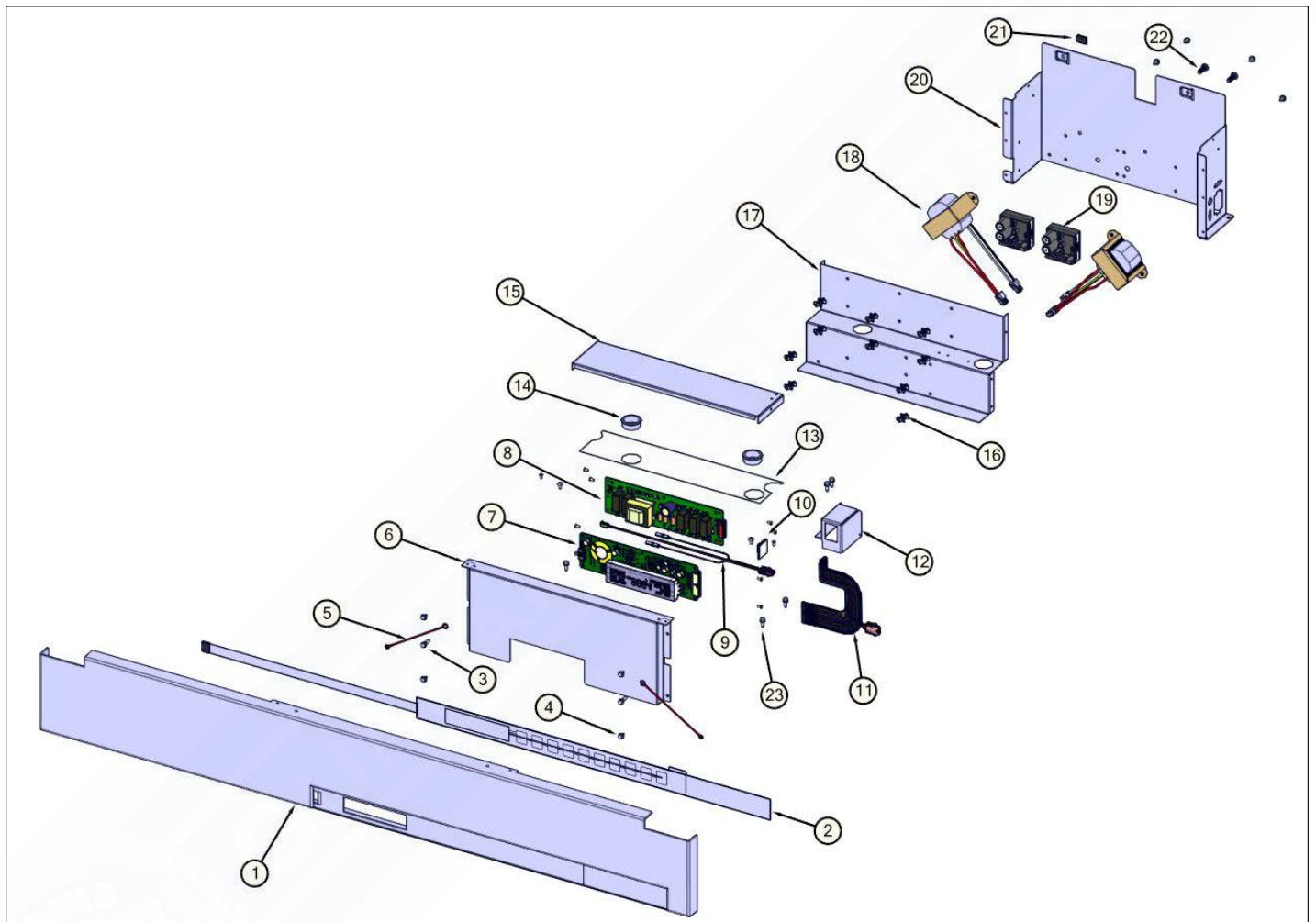
Item	Part No.	Name	Qty	Uom	NOTES
1	PD030146	STAND OFF LOCK CLIP	14	EA	
2	F20915693	SERPENTINE CONDENSER DRAIN ALL SXS'S	1	EA	
3	044370-000	CAM DOOR ADJUSTMENT	2	EA	
4	003867-000	SPRING EXTENSION	1	EA	
5	pc910015	SPRING EXTENSION	1	EA	
6	041669-000	FILTER/COIL TUBE ASM	1	EA	
7	K20911831	BRACKET CONDENSATE SUPPORT	2	EA	
8	044373-000	BUSHING, DOOR LEVEL	2	EA	
9	044372-000	BUSHING, DOOR STOP	2	EA	
10	044374-000	PIN, DOOR STOP	2	EA	
11	044511-000	PLATE, DOOR, SHIM	2	EA	
12	044046-000	HINGE PLATE, LH, LWR 30/36AFAR, 42, 48	1	EA	
13	044026-000	HINGE PLATE, RH, LWR 30/36ARAF, 42, 48	1	EA	
14	045055-000	HINGE ASM COMPLETE LR	1	EA	
15	045057-000	HINGE ASM COMPLETE LL	1	EA	
16	043258-000	BAR, BOTTOM HINGE, LH, WC	1	EA	
17	043261-000	BAR, BOTTOM HINGE, RH, WC	1	EA	
18	000570-000	FASTENER, BOLT, 1/4-20 IHXWS 1" S ZN SER	8	EA	
19	G50914125	PAN HEATER ASM	1	EA	
20	013112-000	NOISE REDUCTION FAN KIT	1	EA	
21	014808-000	RELAY,WATER VALVE	1	EA	
22	M0104102	CLIP-CORD RED	3	EA	
23	044034-000	TUBING, ROLL, PEX 1/4"	7.75ft	EA	
24	PB020294	TUBE ASM-DOOR TO VALVE	1	EA	
25	G32914174	BRKT & VALVE J.G. INLET ASM	1	EA	
26	G32915704	BRKT AND VALVE SINGLE ASM DISP	1	EA	
27	PB020301	STEM ELBOW 1/4 V# PP220808W	1	EA	
28	m0104106	CLIP-CORD VM0104106	1	EA	
29	K2098044	BRKT GRILLE SUPPORT	1	EA	





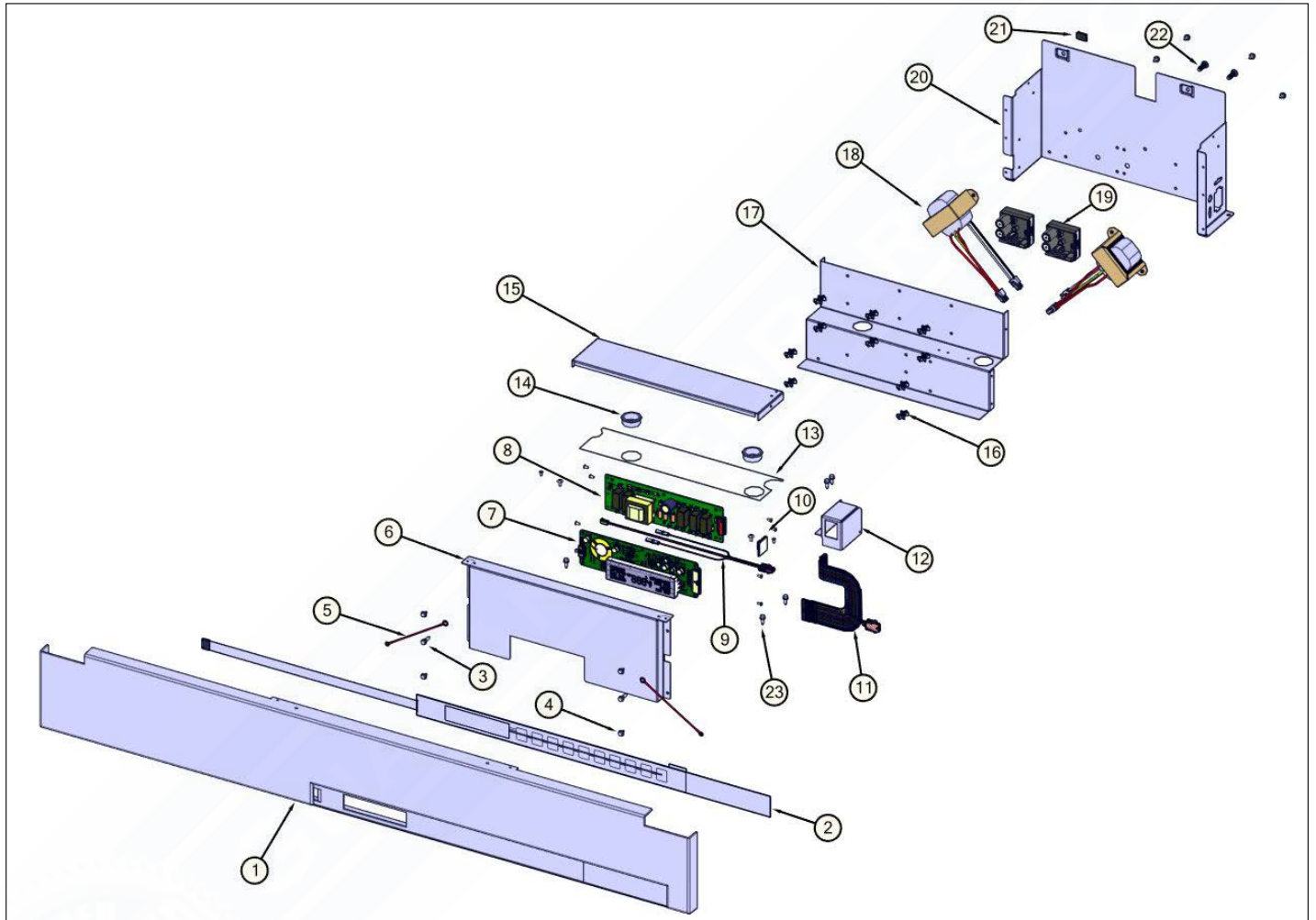
Item	Part No.	Name	Qty	Uom	NOTES
30	046063-000	SWITCH, SPST NC GRAY	1	EA	
31	044939-000	BRACKET, LT SWITCH	2	EA	
32	A4554817	BUSHING-SNAP VA4554817	1	EA	
33	B20915627	BRACKET HORIZ FLOAT SWITCH	1	EA	
34	A4554806	BUSHING-SNAP VA4554806	2	EA	
35	PE050248	FLOAT SWITCH HORIZONTAL	1	EA	
36	K20915952	SHIELD BOTTOM DRAIN	1	EA	
37	PK930348	PAN DRAIN	1	EA	
38	M0221523	SCREW - SHLDR	4	EA	
39	PD940107	ROUND SPRING SPACER	2	EA	
40	046062-000	SWITCH, SPDT GRAY	1	EA	
41	K2098096	BRKT GRILLE SUPPORT	1	EA	
42	044377-000	WSHR FENDER, .219 X .68 X .030	2	EA	
43	060891-000	LEVELER, MODULE, L	1	EA	
44	060890-000	LEVELER, MODULE, R	1	EA	
45	PD020274	SCR SLTD HEX WSHR HD 8X1.250 BT	2	EA	
46	011332-000	SPACER,NYL	2	EA	
47	PD020194	SCR, HEX SRTD WSHR HD, #8-18 X 1/2	20	EA	
48	10712401	PLUG-VENT	10	EA	

Control View





Item	Part No.	Name	Qty	Uom	NOTES
1	016593-000	PANEL CONTROL SXS 48	1	EA	
2	043635-000	OVERLAY, SW, ASM, SXS, 48 DISP	1	EA	
3	M0238859	SCREW-SHLDR	2	EA	
4	PD020193	SCR 8-18 X 3/8	9	EA	
5	12064001	SUPP-CONT PANEL	2	EA	
6	016930-000	MOTR CONTROL BOX FRONT	1	EA	
7	057309-000	BOARD, LOW VOLTAGE	1	EA	
8	005319-000	POWER CONTROL BOARD ASM 5 SERIES	1	EA	
9	PE970609	HARNESS CONTROL BOARD 5 SERIES	1	EA	
10	m0104106	CLIP-CORD VM0104106	1	EA	
11	PE970464	HARNESS LOW VOLT 5 SERIES	1	EA	
12	025433-000	BRACKET,SW,POWER	1	EA	
13	005396-000	FILM,PROTECTIVE	1	EA	
14	A4554817	BUSHING-SNAP VA4554817	2	EA	
15	K20915000	CONTROL BOX TOP	1	EA	
16	M0585504	SUPPORT	10	EA	
17	044479-000	MOTOR BRACKET PCB	1	EA	
18	046386-000	TRANSFORMER, LED SOFT START 5 SERIES	2	EA	
19	046385-000	CIRCUIT, LED SOFT START 5 SERIES	2	EA	
20	047016-000	MOTOR CONTROL BOX	1	EA	
21	M0288120	NUT-SPEED VM0288120	1	EA	
22	049666-000	SCREW, THREAD ROLLING PAN HEAD	2	EA	

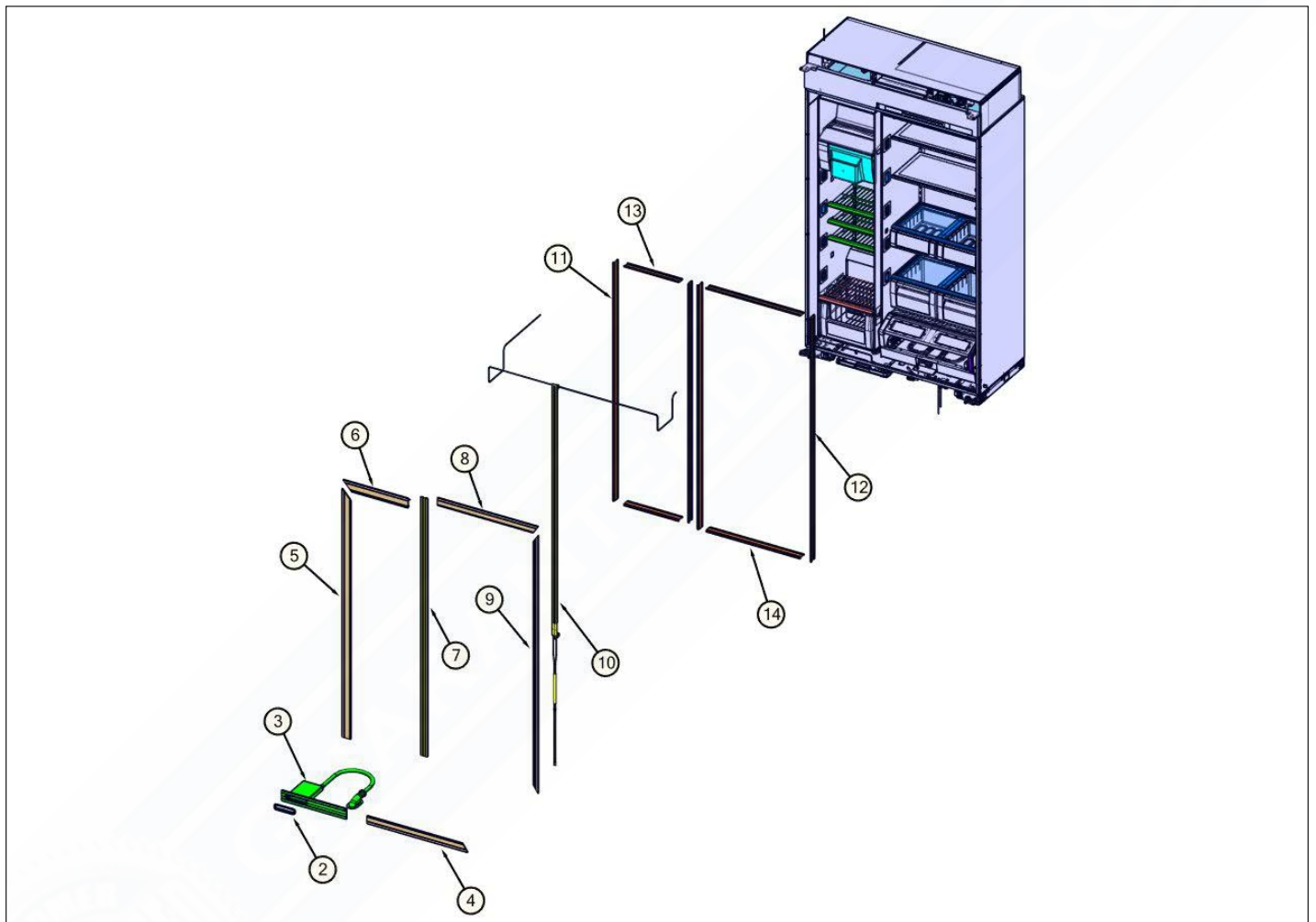




Item	Part No.	Name	Qty	Uom	NOTES
23	PD020194	SCR, HEX SRTD WSHR HD, #8-18 X 1/2	6	EA	

GUARANTEED PARTS.COM

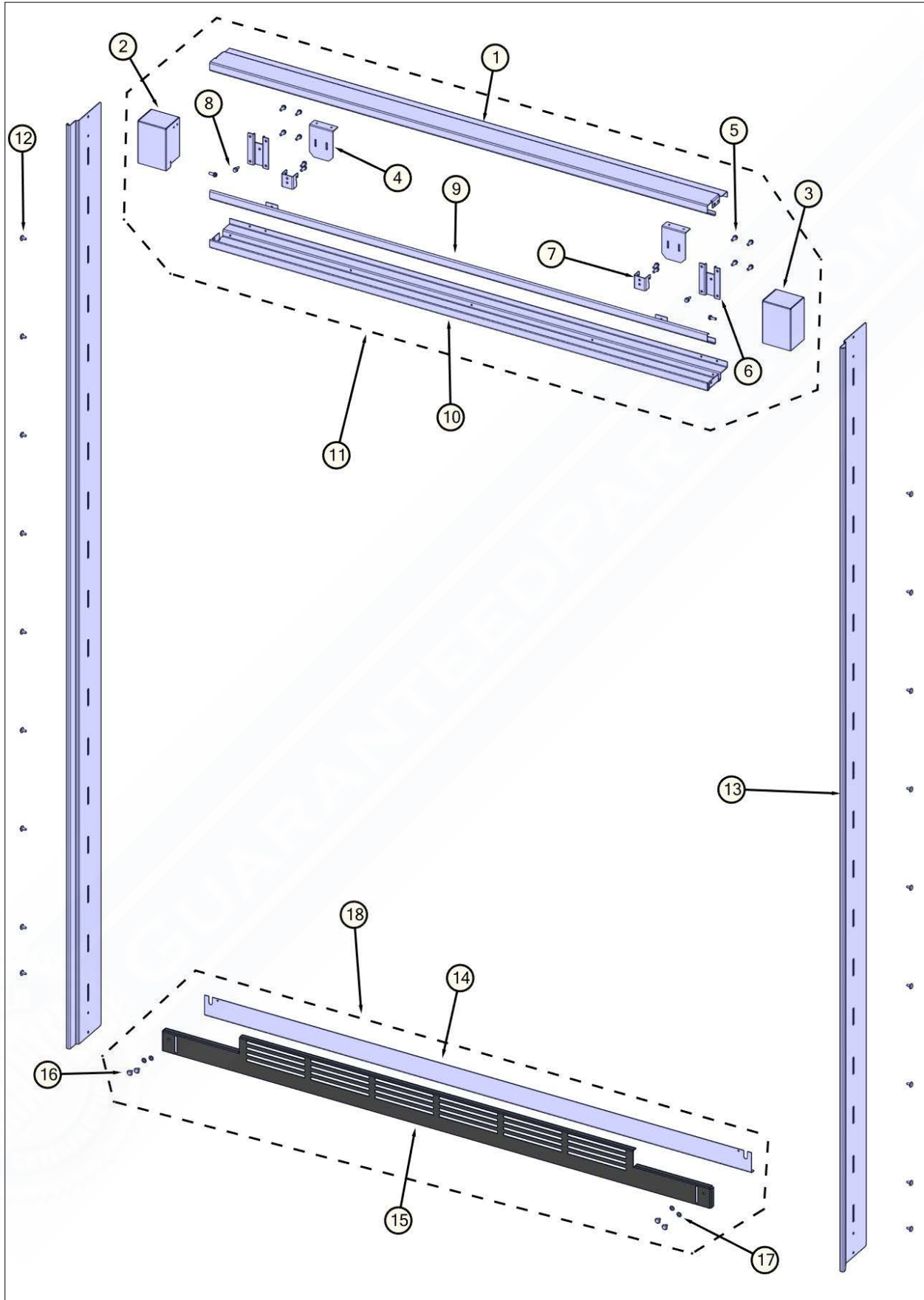
Cab Front View





Item	Part No.	Name	Qty	Uom	NOTES
2	pk930299	COLLAR SLEEVE SXS DISP	1	EA	
3	G32915059	CHASE CABLE WATER 48D	1	EA	
4	PK030513	EXTR BRKR 48/48D FF B VID# 268880513-17	1	EA	
5	PK030510	EXTR BRKR 48D FZ L VID# 268770510-17	1	EA	
6	PK030503	EXTR BRKR 48/48D FZ T VID# 268770503-17	1	EA	
7	G32915050	EXTR BRKR COMP 42/48 M	1	EA	
8	PK030512	EXTR BRKR 48/48D FF T VID# 268880512-17	1	EA	
9	PK030517	EXTR BRKR 48/48D FF R, 30 AR L/R VID# 268870517-17	1	EA	
10	G5099244	BRKR & HTR ASM SXS 48/48D	1	EA	
11	PK930064	SPACER SIDE SXS 48 FZ	2	EA	
12	PK930066	SPACER SIDE SXS 48 FF	2	EA	
13	PK930065	SPACER TOP/BTM SXS 48 FZ	2	EA	
14	12458006	SPACER-REF TP/BM	2	EA	

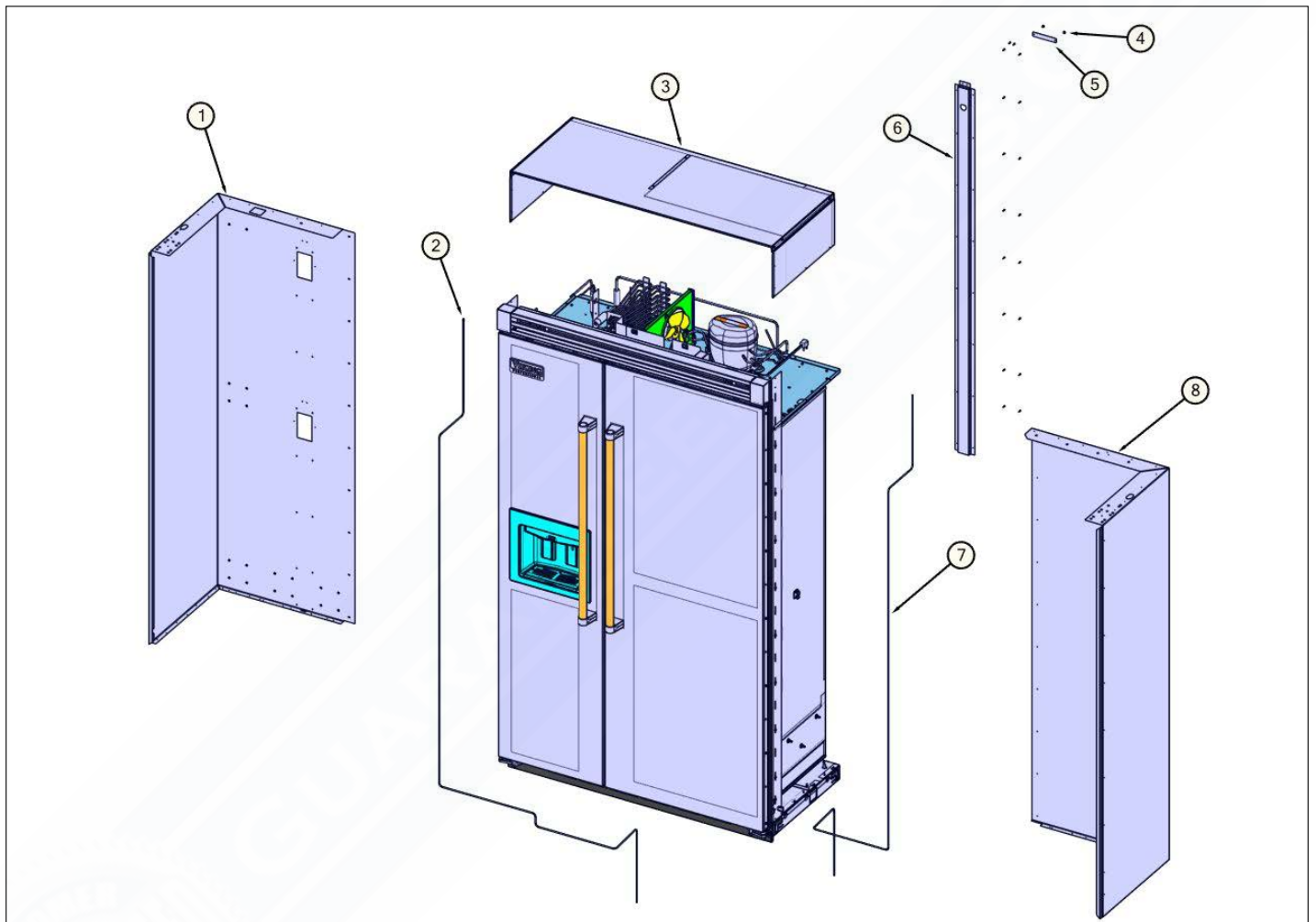
Decor View





Item	Part No.	Name	Qty	Uom	NOTES
1	043711-000	GRILLE, TOP LOUVER 48	1	EA	
2	043722-000	ENDCAP, GRILLE, L, HINGE	1	EA	
3	043721-000	ENDCAP, GRILLE, R, HINGE	1	EA	
4	K20916342	BRACKET GRILLE	2	EA	
5	M0220417	SCREW-TC	22	EA	
6	PK050004	BRACKET GRILLE	2	EA	
7	b2096961	BRACKET-LOUVER	2	EA	
8	PD020194	SCR, HEX SRTD WSHR HD, #8-18 X 1/2	2	EA	
9	043714-000	GRILLE, MIDDLE LOUVER 48	1	EA	
10	043717-000	GRILLE, BOTTOM LOUVER 48	1	EA	
11	045010-000	GRILLE, ASM, 48 SXS, PRO	1	EA	
12	PD020032	SRW-8(A)X3/8"PH.WFR HD 7/16DIA*NICL	16	EA	
13	PK910123	SIDE TRIM - PRO	2	EA	
14	045012-000	SOLID, TOE, GRILLE, 48 SXS	1	EA	
15	045011-000	VENT, TOE, GRILLE, 48 SXS	1	EA	
16	PD020032	SRW-8(A)X3/8"PH.WFR HD 7/16DIA*NICL	4	EA	
17	40370P01	NYLON FLAT WASHER V40370P01	4	EA	
18	045013-000	GRILLE, TOE, ASM, 48 SXS	1	EA	

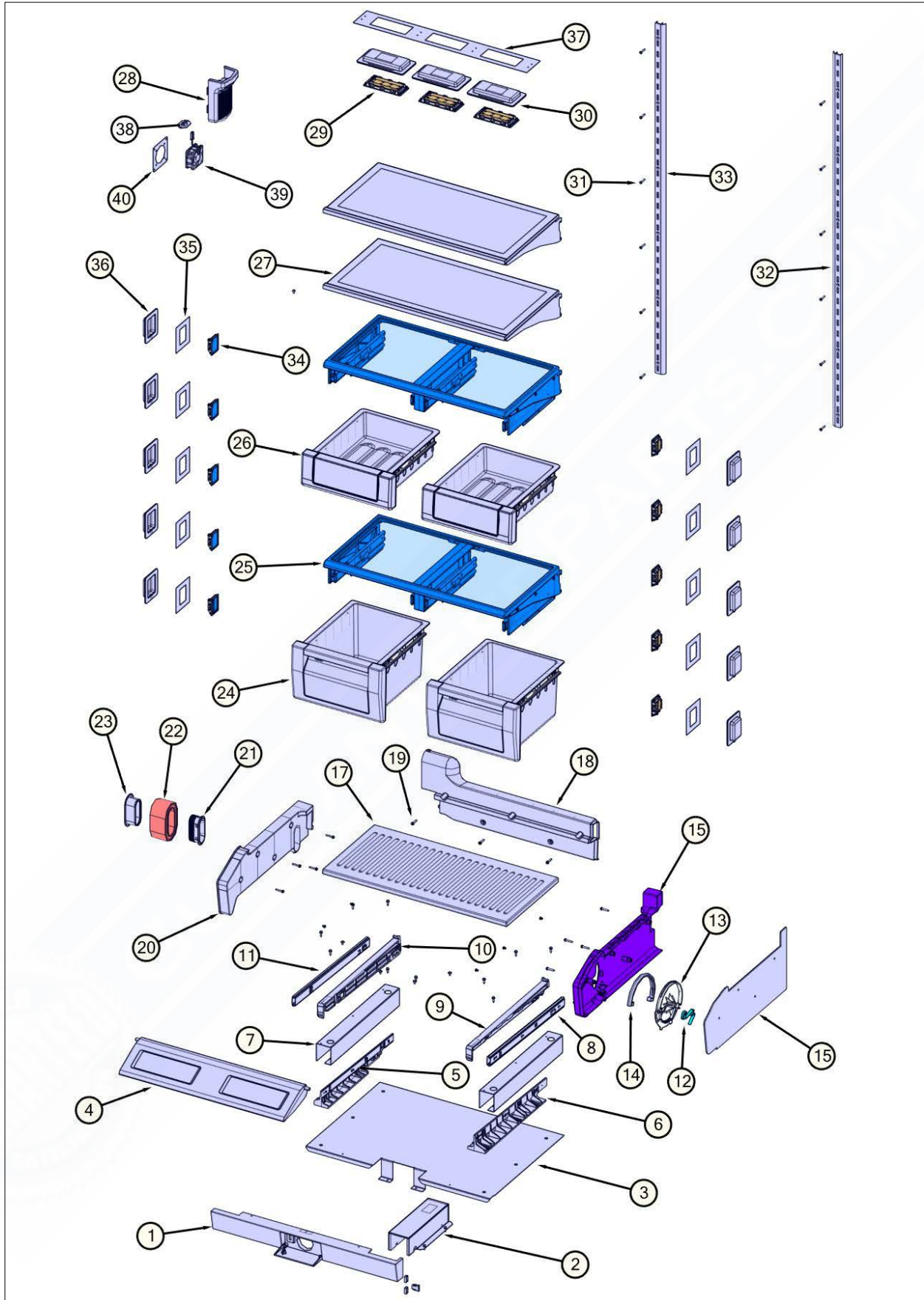
Cab Exterior View





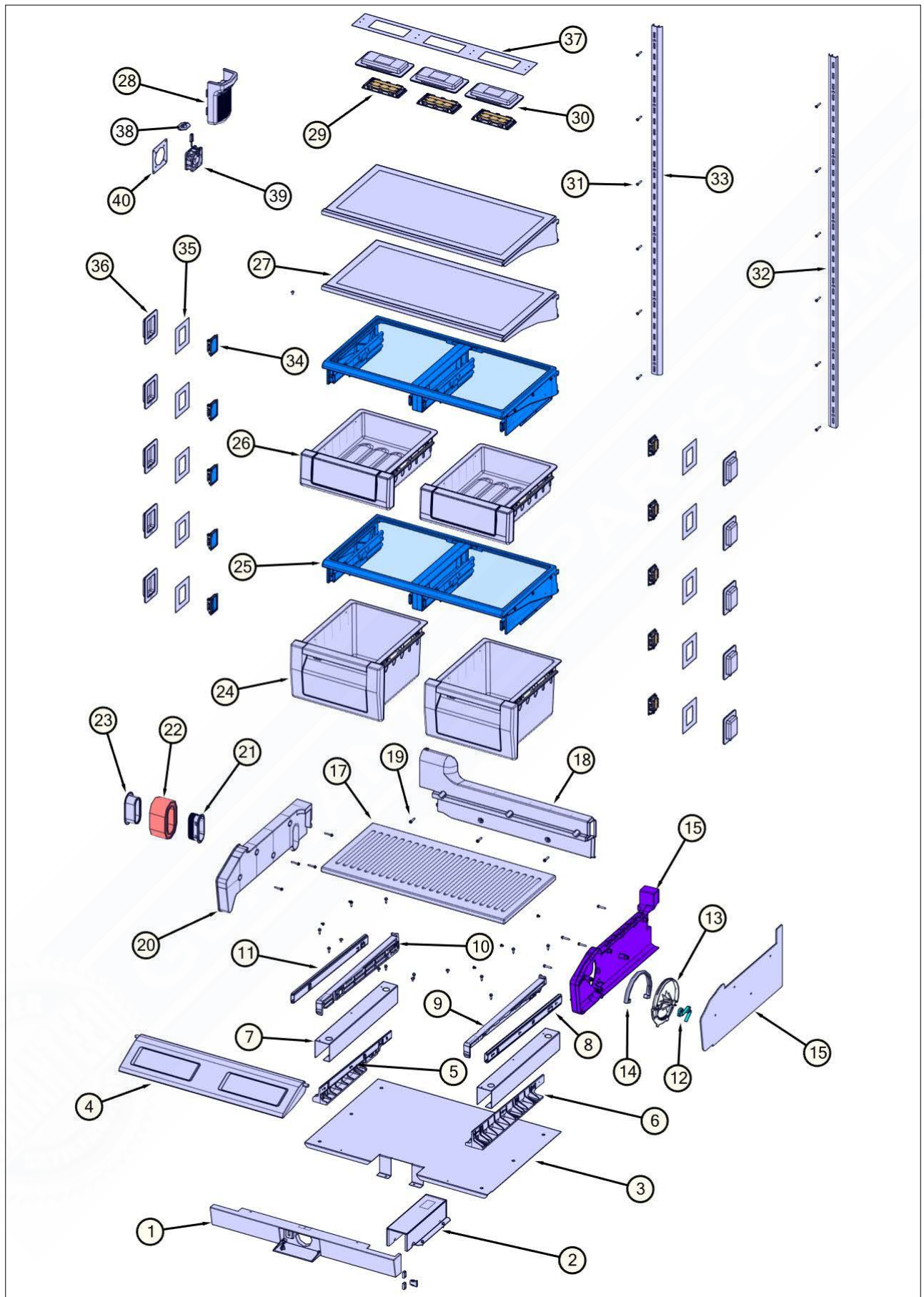
Item	Part No.	Name	Qty	Uom	NOTES
1	k20915707	OC WRAPPER SXS 48 L	1	EA	
2	F20912576	TUBE LEFT POST COND.	1	EA	
3	007981-000	MC COVER ASM BI 48	1	EA	
4	M0230028	SCREW-TC	2	EA	
5	010169-000	IM FILL TUBE BRACKET	1	EA	
6	K20910091	Channel Waterline 42 SxS disp	1	EA	
7	F2099494	TUBE RIGHT POST COND	1	EA	
8	K2099484	OC WRAPPER SXS 48 R	1	EA	

FF Interior Shelving View





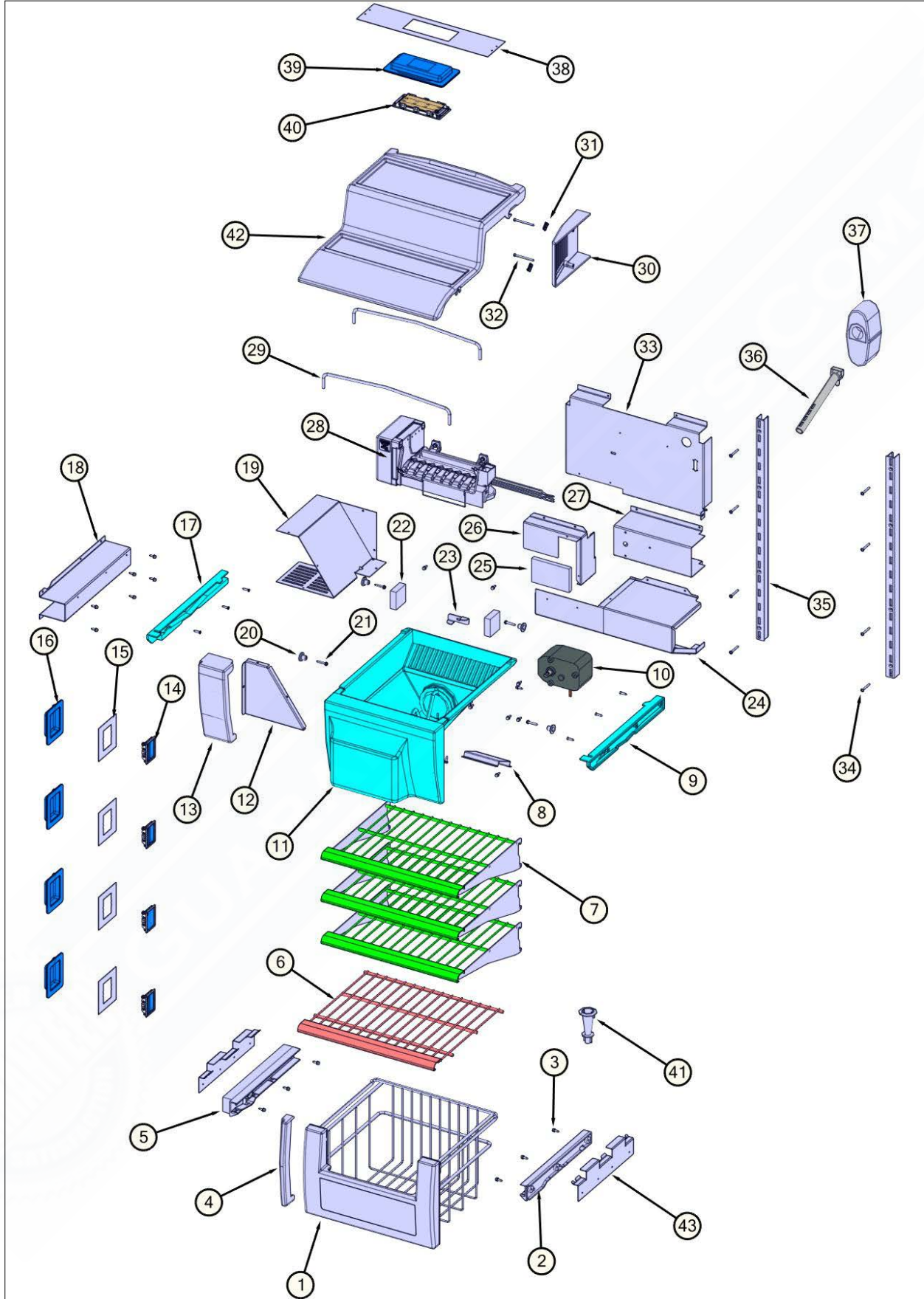
Item	Part No.	Name	Qty	Uom	NOTES
1	021192-000	FALSE FRONT ASM SXS 48 D	1	EA	
2	G50913708	ASM COVER WATER FILTER	1	EA	
3	L20913095	FLOOR-FALSE	1	EA	
4	045692-000	DOOR MEATSAVOR ASM AR 30 SXS 48	1	EA	
5	PK930174	SUPPORT SLIDE MEAT SAVOR SXS 42/48 L	1	EA	
6	PK930173	SUPPORT SLIDE MEAT SAVOR SXS 42/48 R	1	EA	
7	K20913096	BRACKET FALSE FLOOR	2	EA	
8	PM910287	SLIDE MEAT SAVOR R	1	EA	
9	PK930175	SUPPORT DRAWER MEAT SAVOR SXS 42/48 R	1	EA	
10	PK930176	SUPPORT DRAWER MEAT SAVOR 42/48 L	1	EA	
11	PM910288	SLIDE MEAT SAVOR L	1	EA	
12	PM910334	ROLLER TENSION	1	EA	
13	044384-000	DIAL CONTROL MEAT SAVOR	1	EA	
14	044385-000	COVER CONTROL MEATSAVER	1	EA	
15	044232-000	DUCT MEAT SAVOR (R)	1	EA	
16	PK930283	DUCT MEATSAVOR SPACER	1	EA	
17	PK930308	SHELF MEAT SAVOR AR 30 SXS 48	1	EA	
18	PK930327	DUCT MEATSAVOR SXS 48 REAR	1	EA	
19	M0211021	SCREW-SM	4	EA	
20	PK030435	DUCT MEATSAVOR SXS 48 LEFT	1	EA	
21	10178101	TUNNEL-AIR SUPPLY	1	EA	
22	012043-000	INSULATION,AIR,TUNNEL	1	EA	
23	10178001	TUNNEL-AIR SUPPLY	1	EA	
24	012259-000	DRAWER PRODUCE ASM AR 30/48	2	EA	





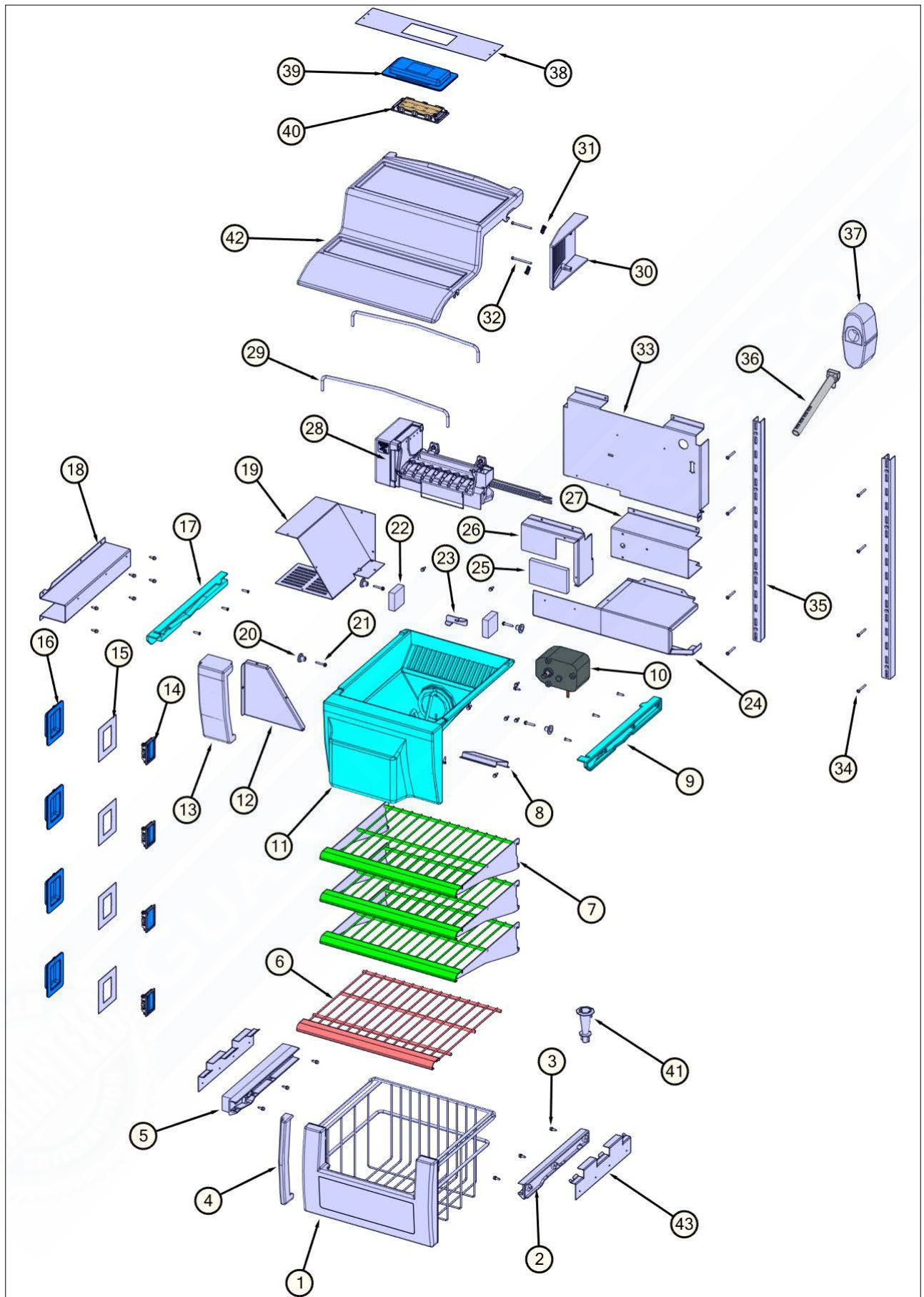
Item	Part No.	Name	Qty	Uom	NOTES
25	045819-000	ASM, SHELF, 48" SXS	2	EA	
26	G32911938	DRAWER DELI ASM SXS 48 AR 30	2	EA	
27	042675-000	SHELF, GL, 48" GLASS SHELF ASSY	1	EA	
28	045686-000	HOUSING, PCI, ASM, SXS	1	EA	
29	042766-000	LED LIGHT, 8-POINT	3	EA	
30	046357-000	LED CUP ASSY (8)	3	EA	
31	013397-000	1" PAINTED LADDER SCREW	12	EA	
32	PM910227	LADDER RS REF	1	EA	
33	PK020079	LADDER FF L SXS 42D/48D	1	EA	
34	042764-000	LED LIGHT, 3-POINT	10	EA	
35	044694-000	LED SHIM, SMALL SINGLE	10	EA	
36	046358-000	LED CUP ASSY (3)	10	EA	
37	044692-000	LED SHIM, 24"	1	EA	
38	C8983701	THERMISTOR	1	EA	
39	013112-000	NOISE REDUCTION FAN KIT	1	EA	
40	007302-000	BRACKET,FAN	1	EA	

FZ Interior Shelving View





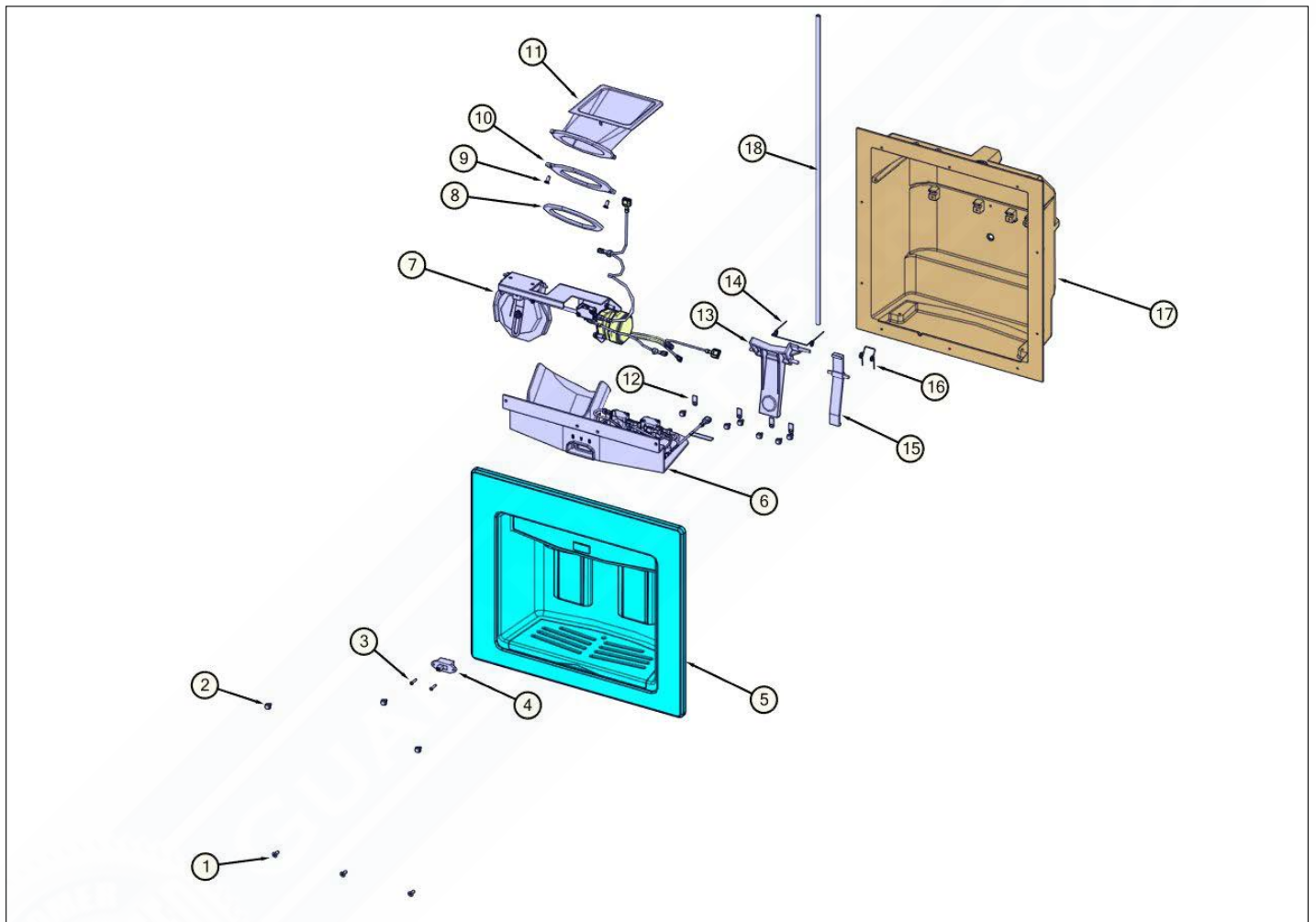
Item	Part No.	Name	Qty	Uom	NOTES
1	PM910190	BASKET ASM FZ	1	EA	
2	PK930074	GLIDE SXS 48 FZ R	1	EA	
3	PD020194	SCR, HEX SRTD WSHR HD, #8-18 X 1/2	6	EA	
4	PK930107	CLOSEOUT FZ SIDE DISP	1	EA	
5	PK930075	GLIDE SXS 48 FZ L	1	EA	
6	PM910231	BASKET FZ	1	EA	
7	PM910411	SHELF WIRE AF 36	3	EA	
8	044615-000	PROTECTOR, LIGHT	1	EA	
9	PK930265	GLIDE R FZ	1	EA	
10	PE950158	Motor Auger	1	EA	
11	019144-000	ICE BUCKET ASSY	1	EA	
12	L20910075	COVER EVAP FAN	1	EA	
13	PK930096	CLOSEOUT - ICE DISPENSER	1	EA	
14	042764-000	LED LIGHT, 3-POINT	4	EA	
15	044694-000	LED SHIM, SMALL SINGLE	4	EA	
16	046358-000	LED CUP ASSY (3)	4	EA	
17	PK930266	GLIDE L FZ	1	EA	
18	C90910027WH	SUPPORT LS ICE BUCKET	1	EA	
19	L20910074	TRAN EVAP FAN	1	EA	
20	12258501	SUPPORT-SHELF	4	EA	
21	M0211021	SCREW-SM	4	EA	
22	PB970176	GASKET UPPER EVAP COVER	2	EA	
23	B20911863	Driver- Ice Bucket RNG	1	EA	
24	043897-000	COVER EVAP MOTOR	1	EA	
25	PM010540	FOAM-SPACER	1	EA	
26	L2098027	DUCT - EVAP FAN	1	EA	
27	C90910713WH	BRACKET AUGER MOTOR	1	EA	
28	G50911851	IM ASM, SXS & AF	1	EA	





Item	Part No.	Name	Qty	Uom	NOTES
29	PM910435	RETAINER,W	2	EA	
30	PK930086	COVER FAN SXS 48 FZ	1	EA	
31	M0288120	NUT-SPEED VM0288120	2	EA	
32	M0221913	SCREW-SM	4	EA	
33	C90910058WH	COVER UPPER EVAP	1	EA	
34	M0238535	SCREW-SM	8	EA	
35	PM910375	LADDER R/L FZ	2	EA	
36	029418-000	FILL TUBE DISP	1	EA	
37	PM910194	BLOCK FILL TUBE	1	EA	
38	045044-000	SHIM, LED, 42/48, FZ	2	EA	
39	046357-000	LED CUP ASSY (8)	1	EA	
40	042766-000	LED LIGHT, 8-POINT	1	EA	
41	PK030540	DRAIN TUBE	1	EA	
42	PK930264	SHELF COVER	1	EA	
43	C90910067WH	BRACKET SHELF FZ	2	EA	

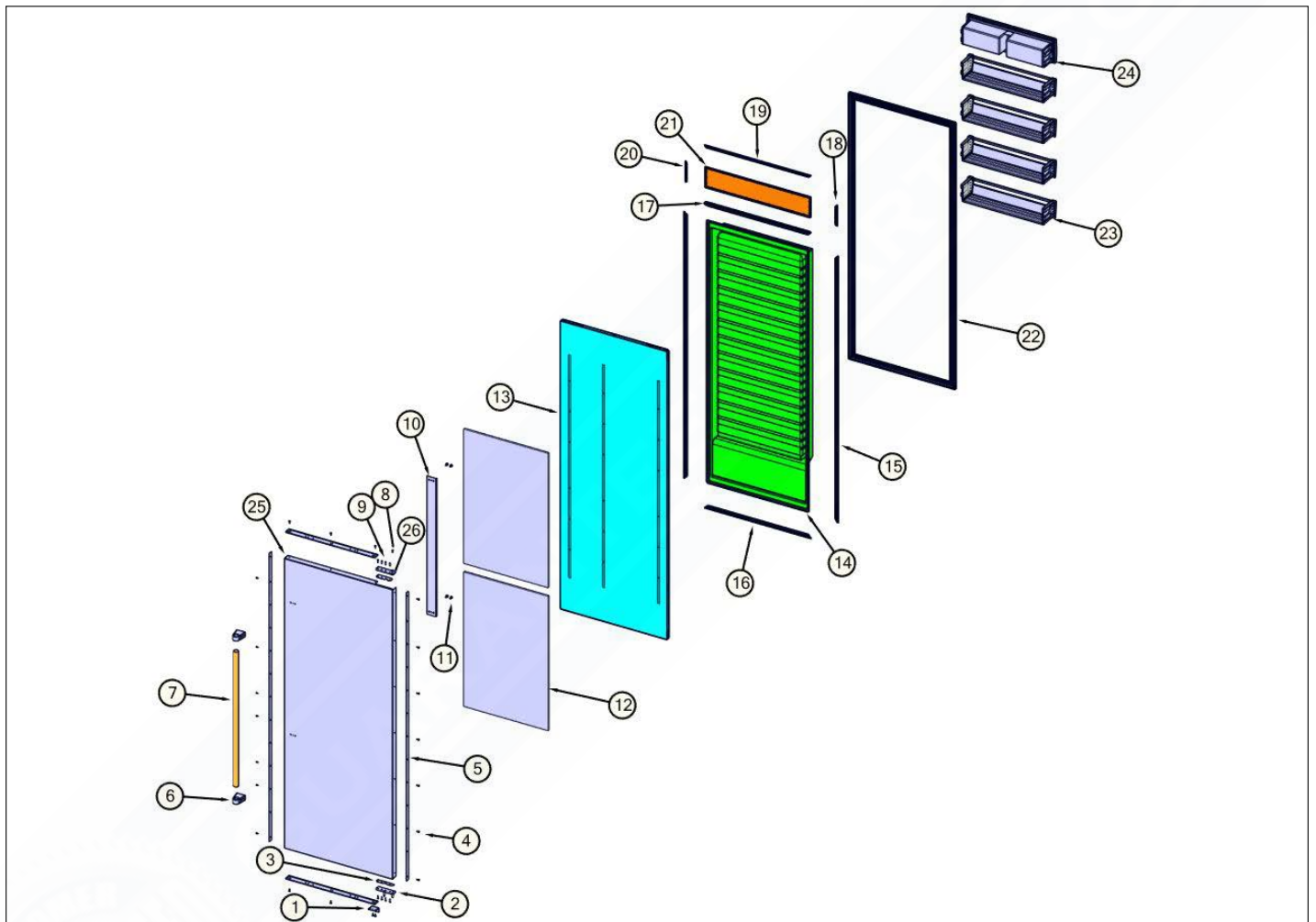
Dispenser View





Item	Part No.	Name	Qty	Uom	NOTES
1	M0215318	SCREW-SM	5	EA	
2	PD020193	SCR 8-18 X 3/8	11	EA	
3	003334-000	SCR, #4-24 X 1/2	2	EA	
4	PE950152	SWITCH SLIDE	1	EA	
NI	013685-000	CAP, SWITCH	1	EA	
5	015160-000	BEZEL ASM (PROI)	1	EA	
6	PE070755	DISPENSER CAVITY ASSEMBLY (REPLACEMENT BULB IN ASSEMBLY 011209- 000)	1	EA	
7	G50914150	ICE DISPENSER MODULE ASM	1	EA	
8	12193801	GASKET - ICE DR	1	EA	
9	M0215318	SCREW-SM	12	EA	
10	PK930401	DEFLECTOR-ICE	1	EA	
11	V12348201	CHUTE ICE	1	EA	
12	B10910081	DISP RETAINER ICE ARM	4	EA	
13	PK030470	ARM ICE ACTUATOR	1	EA	
14	PC010022	SPRING RETURN ICE ACTUATOR	1	EA	
15	pk930404	ARM WATER ACTUATOR	1	EA	
16	B8385402	SPRING-RETURN	1	EA	
17	PK930403	CAVITY DISPENSER	1	EA	
18	044034-000	TUBING, ROLL, PEX 1/4"	10.42ft	EA	

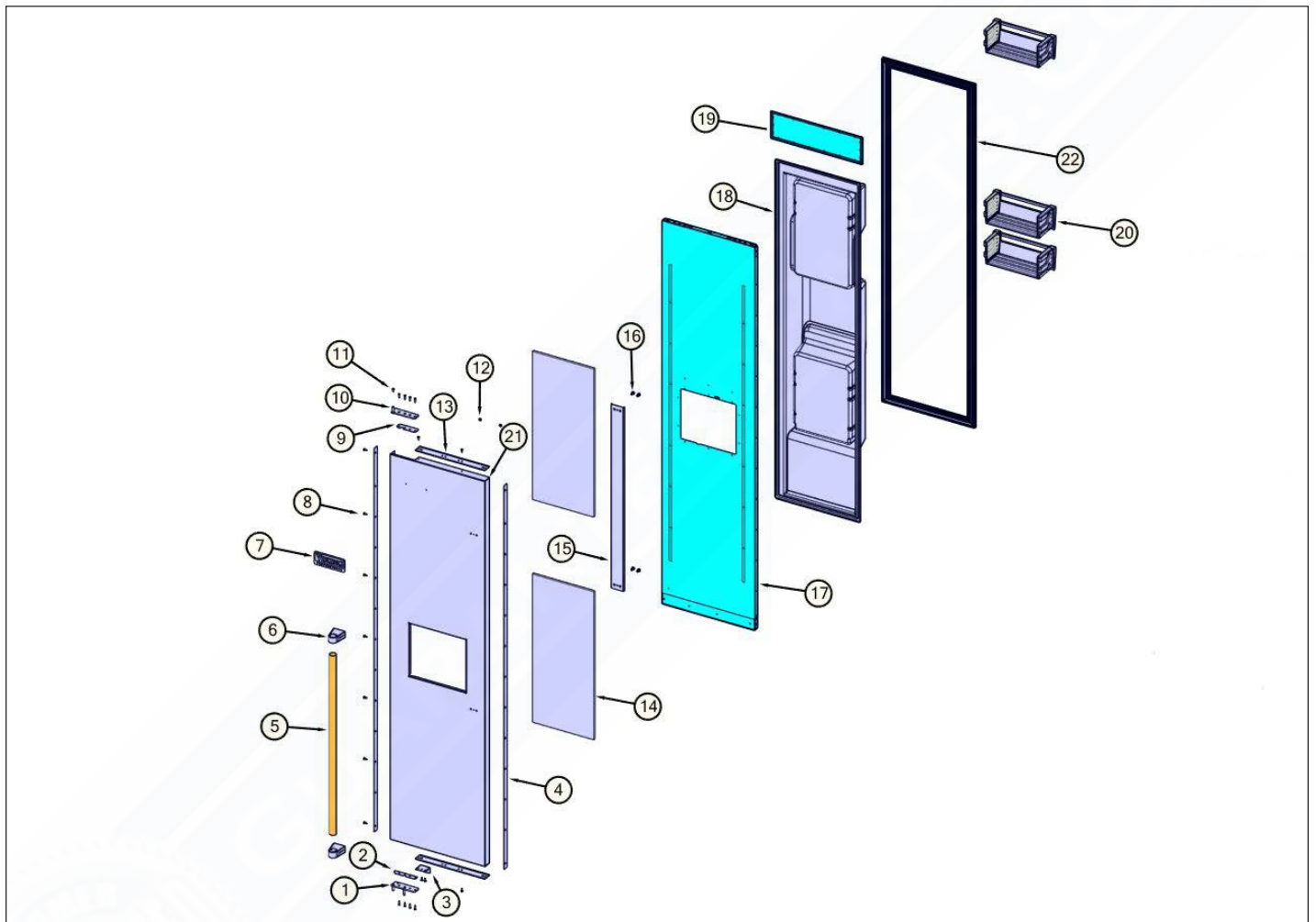
FF Door View





Item	Part No.	Name	Qty	Uom	NOTES
1	044314-000	STRIKER, DOOR SWITCH	1	EA	
2	044063-000	PIVOT PL ASM RH LW PRO/DES	1	EA	
3	001617-000	SPACER,NYL,PIVOT PLATE	1	EA	
4	M0210458	SCR 8-18 X 5/8 WAFER PH SMS	21	EA	
5	014581-000	SPACER,TRIM,SXS,AF,AR	2	EA	
6	026965-000	END CAP, ASM, DOOR HANDLE	2	EA	
7	030894-000	HANDLE, DOOR 36" BRIGADE	1	EA	
8	PD020234	SCREW THP 10-32 X .500 SS BO	2	EA	
9	PD920174	10X7/8 PHILLIPS SMA TRI LOBE SA	8	EA	
10	042374-000	BRACKET, HANDLE SUPPORT	1	EA	
11	035647-000	BOLT, FASTENER, HXH, SST	4	EA	
12	PM910068	FOAM, DOOR SKIN (SXS)	2	EA	
13	G30910031	PAN WELD ASM SXS 48 FF	1	EA	
14	PK930070	LINER DOOR SXS 48 FF	1	EA	
15	002791-000	RETAINER,GSKT,SIDE VID# 202722791-17	2	EA	
16	002813-000	RETAINER,GSKT,LWR,SXS, 48 FF VID# 202722813-17	1	EA	
17	005022-000	RETAINER,GSKT,MDL,TOP,SXS , 48 FF VID# 202735022-17	1	EA	
18	002878-000	EXTENSION,DOOR,TOP,LH,EX TRSN VID# 234832878-17	1	EA	
19	PK030565	EXTR DR GASKET 48 FF TOP VID# 234830565-17	1	EA	
20	002862-000	EXTENSION,DOOR,TOP,RH,EX TRSN VID# 234832862-17	1	EA	
21	12089202	LINER-EXTENSION	1	EA	
22	005454-000	GASKET,ASM,48,SXS,FF VID# 602711907-17	1	EA	
23	036886-000	DOORBIN ASM SXS 48 FF	4	EA	
24	V12203602	DAIRY MODULE ASSY #	1	EA	
25	048806-000	SKIN, DOOR, SXS 48 PRO FF SS	1	EA	
26	044361-000	UPPER PIVOT PLATE ASM, RH, SXS, AF/AR	1	EA	

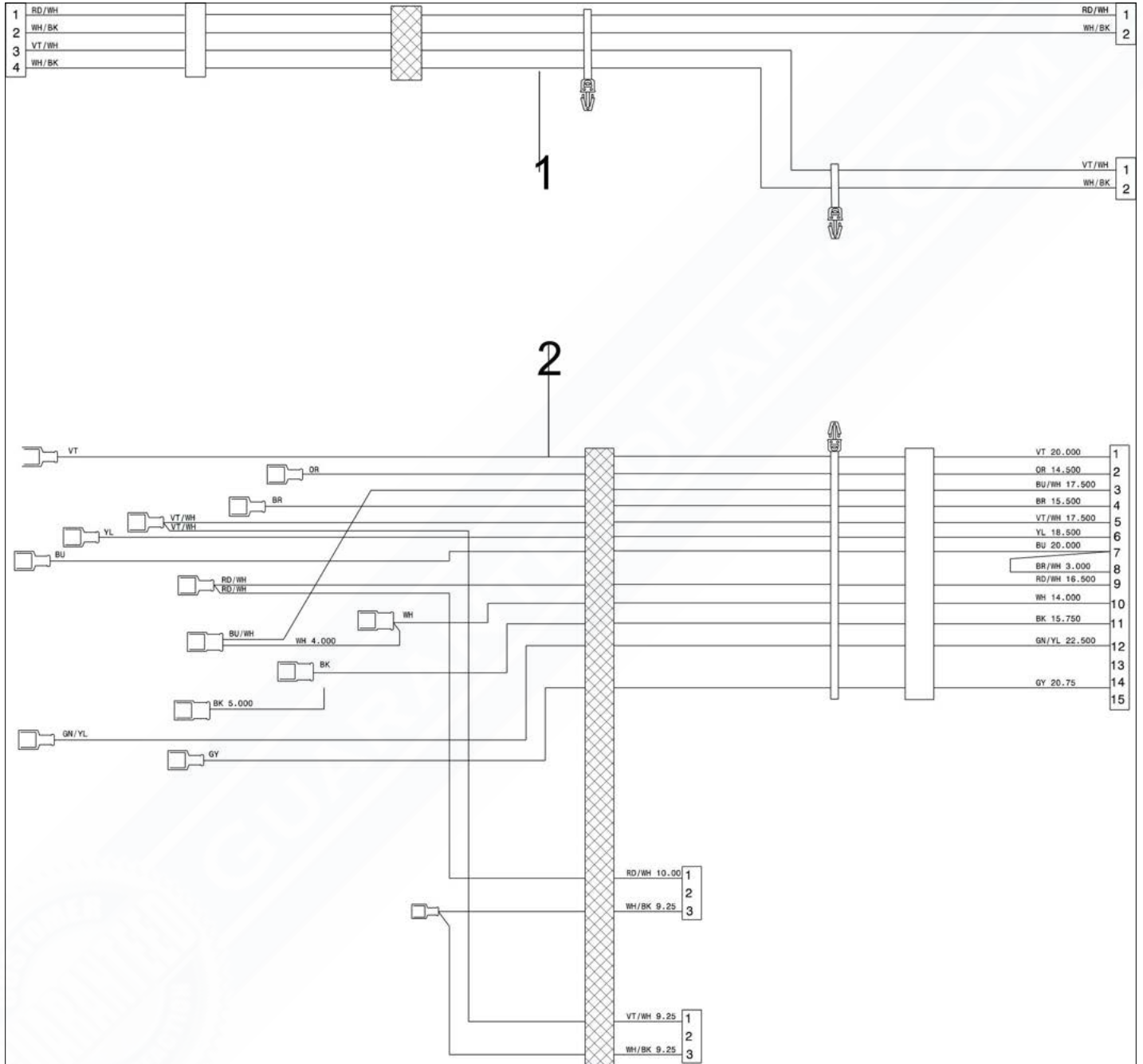
FZ Door View





Item	Part No.	Name	Qty	Uom	NOTES
1	044344-000	PIVOT PL ASM LH LW PRO/DES	1	EA	
2	PD040162	SPACER-DOOR HINGE	1	EA	
3	PD050019	STRIKER SWITCH DOOR	1	EA	
4	014581-000	SPACER,TRIM,SXS,AF,AR	2	EA	
5	030894-000	HANDLE, DOOR 36" BRIGADE	1	EA	
6	026965-000	END CAP, ASM, DOOR HANDLE	2	EA	
7	PE010030	LOGO 6" (VGRC) *BK*	1	EA	
8	M0210458	SCR 8-18 X 5/8 WAFER PH SMS	19	EA	
9	031391-000	SPACER, 4 HOLE	1	EA	
10	044360-000	UPPER PIVOT PLATE ASM, LH, SXS, AF/AR	1	EA	
11	PD020234	SCREW THP 10-32 X .500 SS BO	1	EA	
12	PD030006	CAPPED WASHER PAL NUT	2	EA	
13	056841-000	TRIM, FF, TOP/BTM, 48	2	EA	
14	000656-000	BLOCK,EPS REF DOOR 42/48 SXS FZ DES	2	EA	
15	042374-000	BRACKET, HANDLE SUPPORT	1	EA	
16	035647-000	BOLT, FASTENER, HXH, SST	4	EA	
17	G30913028	PAN WELD ASM SXS 48 DISP FZ	1	EA	
18	PK930194	LINER DOOR SXS FZ DISP	1	EA	
19	12089203	LINER-EXTENSION	1	EA	
20	036888-000	DOORBIN ASM SXS FZ	3	EA	
21	044038-000	SKIN, DOOR, SXS 48D PRO FZ SS	1	EA	
22	005456-000	GASKET,ASM,48,SXS,FZ DISP VID# 602712917-17	1	EA	

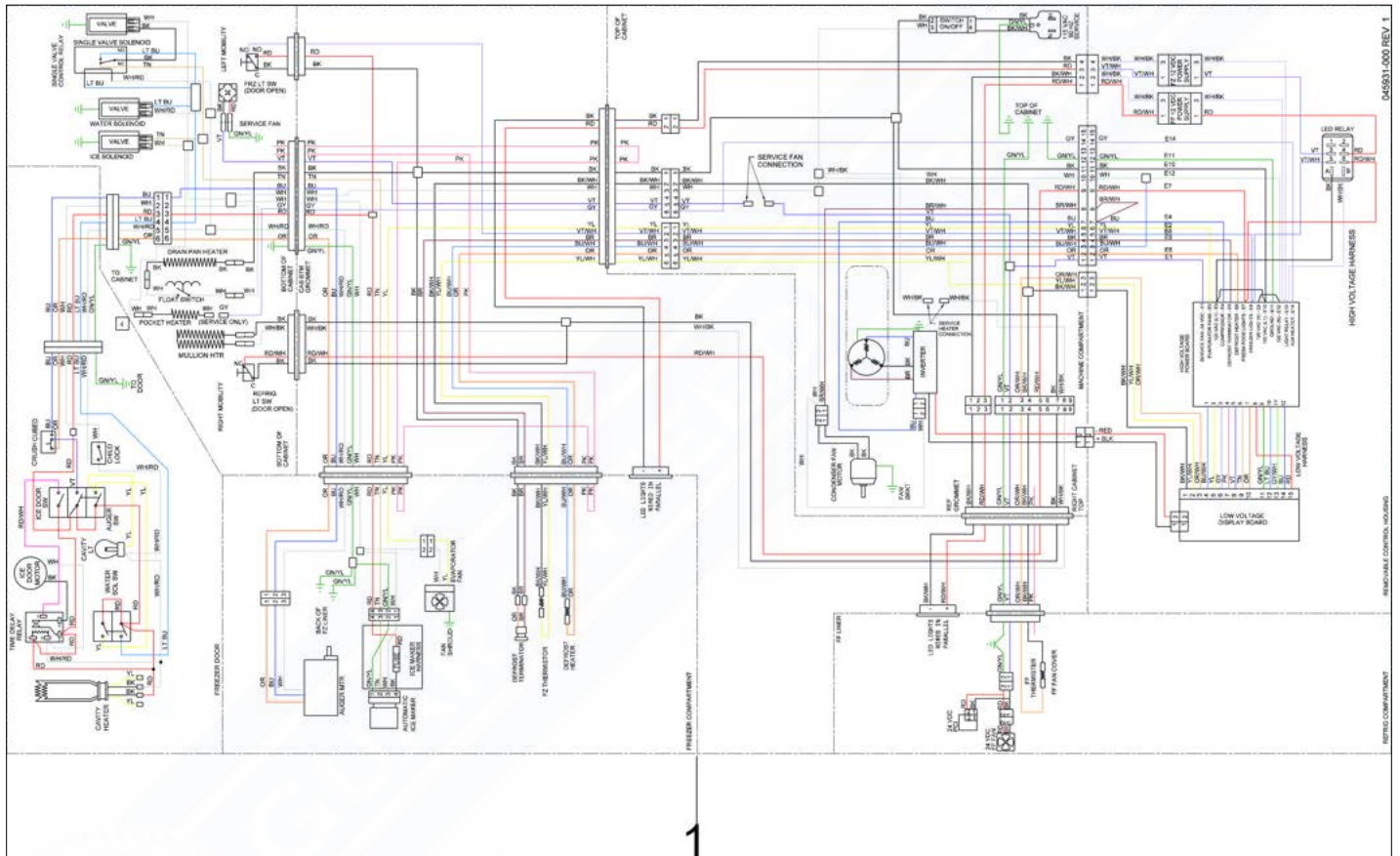
Wiring View





Item	Part No.	Name	Qty	Uom	NOTES
1	048680-000	HARNESS, POWER SUPPLY, LED, BM/SXS	1	EA	
2	048643-000	HARNESS, HIGH VOLTAGE	1	EA	
NI	043371-000	HARNESS, MC	1	EA	
NI	011059-000	HARNESS, JUMPER	1	EA	

Wiring Diagram





Item	Part No.	Name	Qty	Uom	NOTES
1	045931-000	DIAGRAM WIRING 42/48 SXS DISP	1	EA	

GUARANTEED PARTS.COM