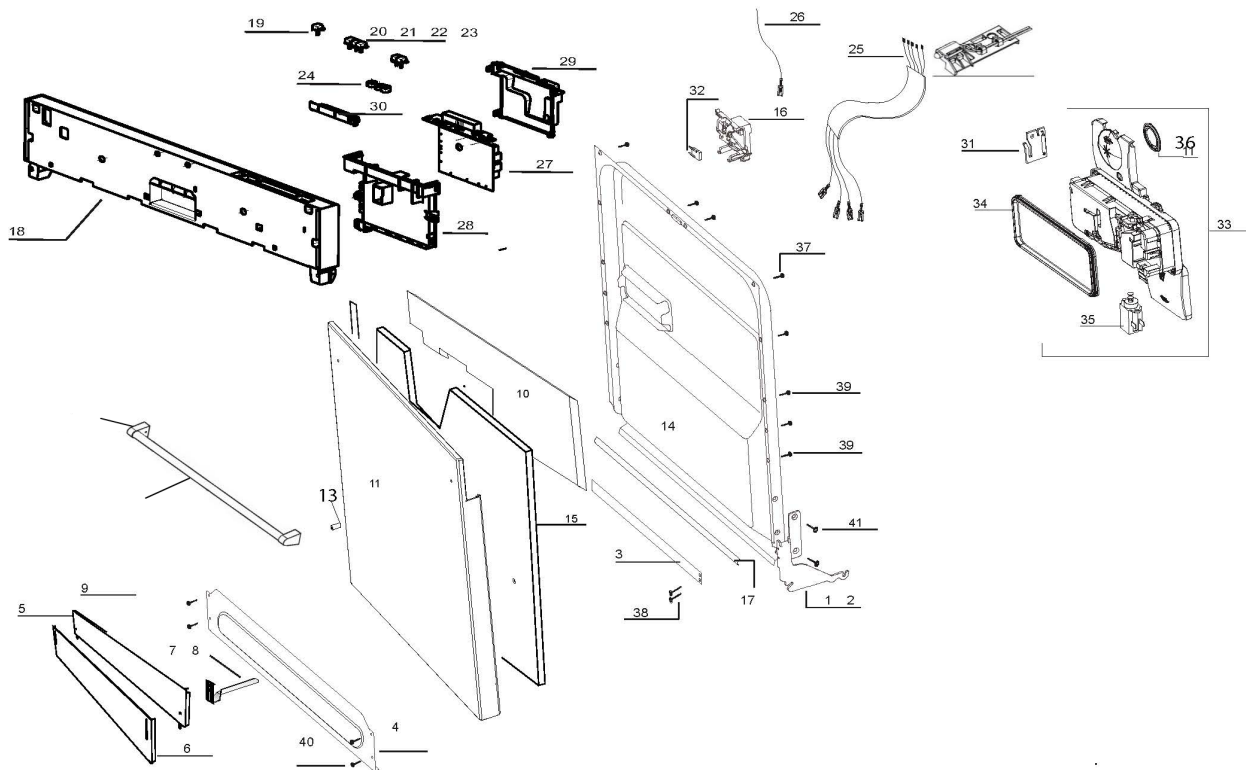


**VDW302SS**

VDW302SS Door parts .....	1
VDW302SS Chassis parts .....	2
VDW302SS Water System parts .....	3
Appendix A:Pages Index .....	A
Appendix B:Parts Index .....	B

## VDW302SS Door parts

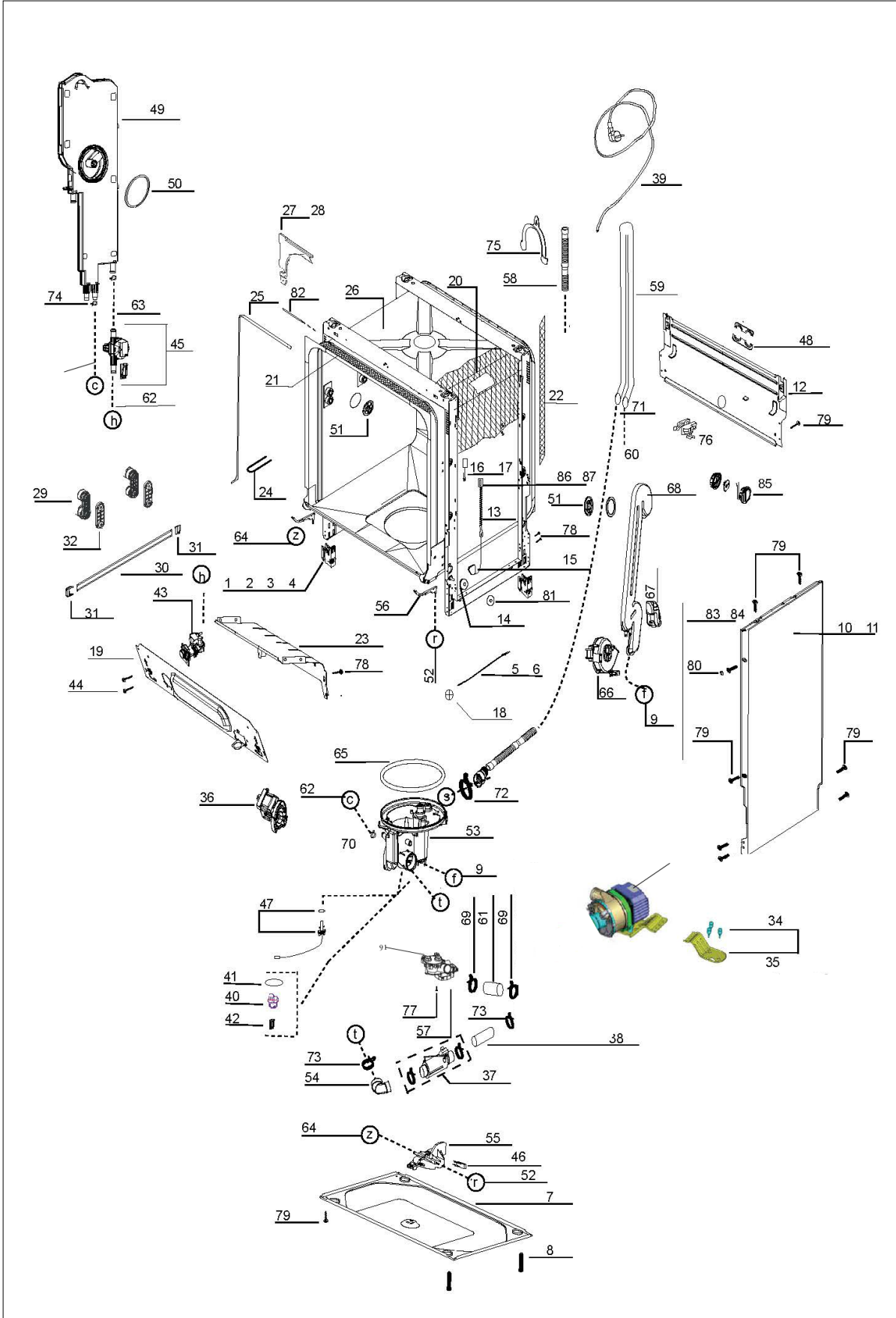


Item	Part No.	Name	Qty	Uom	NOTES
1	039739-000	HINGE ARM RIGHT	1	EA	
2	039738-000	HINGE ARM LEFT	1	EA	
3	039935-000	HINGE ARM SUPPORT	1	EA	
4	039773-000	KICK PLATE SHEET	1	EA	
5	039926-000	KICK PLATE SHEET	1	EA	
6	060210-000	KICK PLATE SHEET	1	EA	
NI	063715-000	INSULATION MATERIAL	1	EA	
Not Shown	NOTE	GOES BEHIND KICKPLATE		EA	
7	039924-000	PLINTH ADJUSTMENT SHEET LEFT	1	EA	
8	039925-000	PLINTH ADJUSTMENT SHEET RIGHT	1	EA	
9	039928-000	KICK PLATE ADJUSTING LOCKET	1	EA	
10	039932-000	DOOR INSULATION	1	EA	
11	060166-000	OUT DOOR - R=1_4 mm	1	EA	
12	060160-000	TALL TUB HANDLE GROUP WITH SET SCREWS	1	EA	
Not Shown	NOTE	(INCLUDES END CAPS)		EA	
NI	076005-000	SET SCREW	2	EA	
13	069746-000	TALL TUB USA COVER (STUD COLLAR)	2	EA	
NI	069747-000	SCREW (FOR STUD COLLAR)	2	EA	
14	039720-000	INNER DOOR GR	1	EA	
15	060205-000	DOOR INSULATION	1	EA	
16	060170-000	DOOR LOCK GROUP	1	EA	
17	039908-000	DOOR SEALING GASKET	1	EA	
18	060163-000	PANEL GR FDW302	1	EA	
19	060156-000	ON-OFF BUTTON BLACK	1	EA	
20	060153-000	F1-F2 FUNCTION BUTTON BLACK	1	EA	
21	060154-000	F3-F4 FUNCTION BUTTON BLACK	1	EA	
22	060180-000	DELAY BUTTON BLACK	1	EA	
23	060155-000	PROGRAME DELAY BUTTON BLACK	1	EA	



Item	Part No.	Name	Qty	Uom	NOTES
24	060192-000	E5-E6 BUTTON GASKET	1	EA	
25	060763-000	D1 CABLE HARNESS (INCLUDES INDICATOR LIGHT)	1	EA	
26	057525-000	GROUND WIRE	1	EA	
27	060161-000	ELECTRONIC CARD E5	1	EA	
28	060189-000	E5-E6 CARD HOLDER FRONT PART	1	EA	
29	060190-000	E5-E6 CARD HOLDER BACK PART	1	EA	
30	060191-000	E5-E6 BOTTON HOLDER PART	1	EA	
31	050831-000	RINSE AID GLASS	1	EA	
32	059878-000	NEW DOOR SWITCH	1	EA	
33	039715-000	DETERGENT DISPENSER GROUP	1	EA	
34	039714-000	DTERGENT DISPENSER GASKET	1	EA	
35	039882-000	THERMOACTUATOR D3731 D3421	1	EA	
36	039713-000	RINSE AID GASKET	1	EA	
37	039914-000	SCREW	4	EA	
38	039917-000	BOLT M4X8 D3731 D3421	23	EA	
39	039916-000	SCREW	6	EA	
40	039876-000	SCREW	20	EA	
41	039877-000	SCREW	4	EA	
NI	PE010016	LOGO (ALL RANGES) *BK/CHR 307997W	1	EA	
NI	PD030008	HEX NUT	2	EA	
42	065087-000	TALL TUB HANDLE CONNECTION GROUP (END CAP)	2	EA	
NI	076005-000	SET SCREW	2	EA	

VDW302SS Chassis parts



Item	Part No.	Name	Qty	Uom	NOTES
1	039898-000	FOOT SUPPORT PART	4	EA	
2	039941-000	FOOT GROUP-ADJUSTABLE- RIGHT-BACK	1	EA	
3	039942-000	FOOT GROUP-ADJUSTABLE- LEFT-FRONT	1	EA	
4	039943-000	Rear feet Adjustable LEFT BACK	1	EA	
5	039937-000	REAR ADJUSTABLE FOOT CONNECTION PART	2	EA	
6	039938-000	REAR ADJUSTABLE DOOR CONNECTION PART	2	EA	
7	039886-000	BOTTOM TRAY	1	EA	
8	039889-000	FOOT GROUP-ADJUSTABLE	4	EA	
9	050797-000	HOSE BETWEEN FAN AND SUMP	1	EA	
10	057516-000	SIDE PANEL-LEFT	1	EA	
11	057517-000	SIDE PANEL-RIGHT	1	EA	
12	050891-000	REAR BOTTOM SUPPORT	1	EA	
13	057495-000	HINGE SPRING	4	EA	
14	039893-000	HINGE WHEEL	2	EA	
15	039894-000	HINGE ROPE GROUP	2	EA	
16	039763-000	DOOR ADJUSTMENT GROUP- LEFT	1	EA	
17	059866-000	DOOR ADJUSTMENT GROUP - RIGHT	1	EA	
18	039765-000	DOOR ADJUSTING ADAPTOR	2	EA	
19	039773-000	KICK PLATE SHEET	1	EA	
20	050777-000	INNER TUB ISOLATION (TUB INSULATION)	1	EA	
21	039923-000	DOOR LOCK COTTON FLEECE	1	EA	
22	060157-000	FELT	1	EA	
23	039885-000	LOWER SUPPORT - FRONT	1	EA	
24	039901-000	DOOR LOCK HOOK	1	EA	
25	039769-000	DOOR SEALING GASKET	1	EA	
26	060762-000	STRUCTURE GROUP	1	EA	
27	039767-000	TOP CORNER BRACKET - LEFT	1	EA	
28	039768-000	TOP CORNER BRACKET - RIGHT	1	EA	



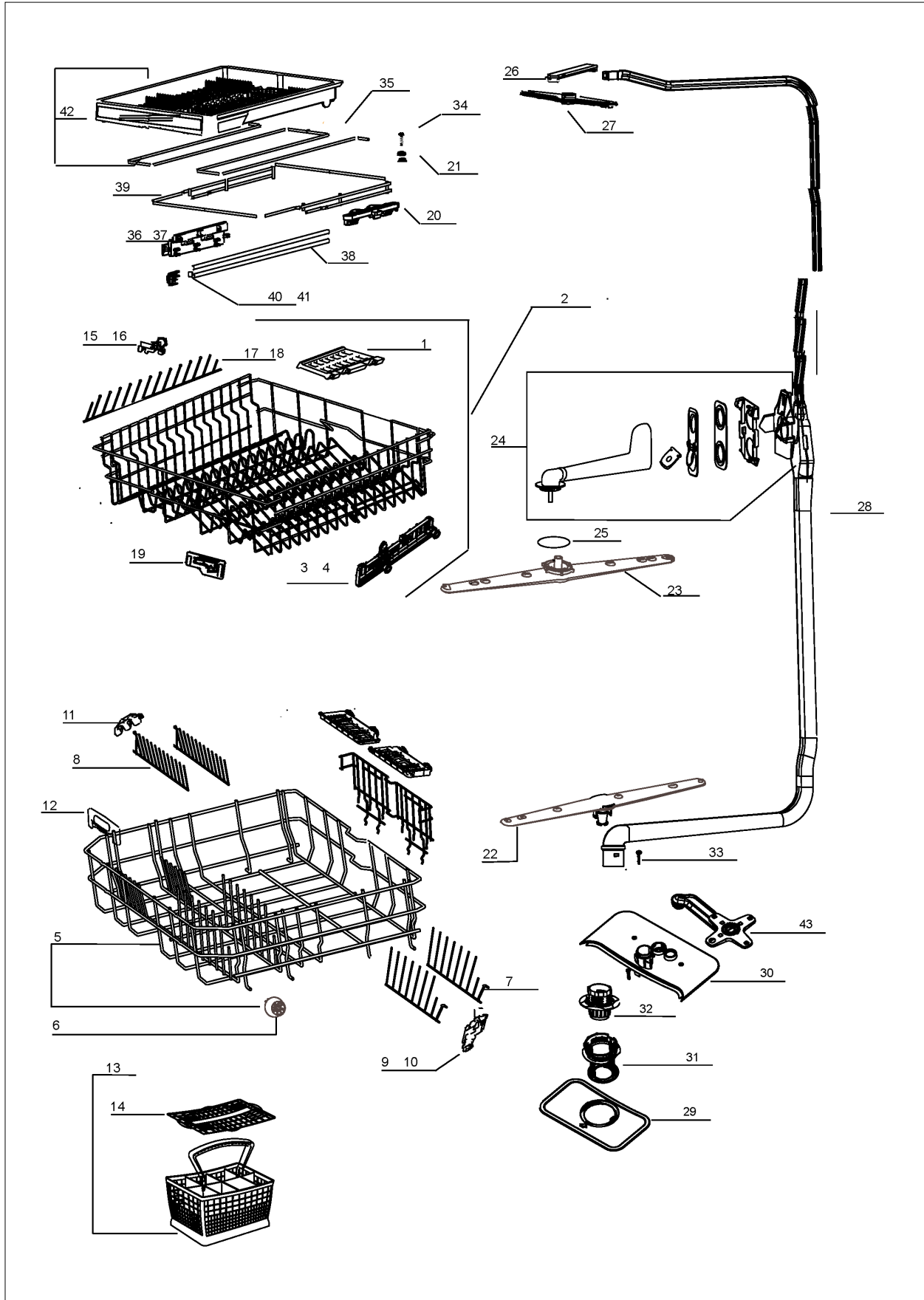
Item	Part No.	Name	Qty	Uom	NOTES
29	050780-000	GRD BALL BEARING ROLLER GROUP	4	EA	
30	039887-000	RAIL	2	EA	
31	050782-000	rail cap front back	2	EA	
32	039777-000	RAIL WHEEL HOLDER	4	EA	
33	060187-000	QUADRO CIRCULATION MOTOR GROUP	1	EA	
34	060182-000	CIRCULATION PUMP DAMPENING RUBBER	3	EA	
35	060181-000	MOTOR BRACKET GROUP	1	EA	
36	039758-000	DRAIN PUMP GROUP	1	EA	
37	060167-000	FLOW THROUGH HEATER	1	EA	
38	060188-000	PUMP INLET HOSE	1	EA	
39	039949-000	MAIN POWER PLUG 120V USA	1	EA	
40	039900-000	TURBIDITY FRAME	1	EA	
41	039868-000	O-RING (TURBIDITY)	1	EA	
42	039950-000	TURBIDITY CARD AND LED HOLDER GR	1	EA	
43	039756-000	WATER INLET VALVE	1	EA	
44	039761-000	SCREW	2	EA	
45	050887-000	COUNTER GROUP	1	EA	
46	039913-000	MICRO SWITCH	1	EA	
47	039933-000	NTC GROUP	1	EA	
48	039918-000	DRAIN HOSE HOLDER 7037	2	EA	
49	061486-000	REGENERATION UNIT	1	EA	
50	039910-000	AIR FUNNEL GASKET	1	EA	
<p>Comments for Part Num. 039910-000</p> <p>bradleysapplianceservice@shaw.ca on Feb 28, 2017</p> <p>SUBS TO: 039910-000 AIR FUNNEL GASKET</p>					
51	050778-000	air funnel cup	2	EA	
52	039872-000	HOSE	1	EA	
53	062826-000	SUMP-VDW300	1	EA	
54	039723-000	HOSE BETWEEN SUMP AND HEATER	1	EA	



Item	Part No.	Name	Qty	Uom	NOTES
55	039934-000	OVERFLOW FLOAT GROUP	1	EA	
56	039921-000	OVERFLOW SIPHON	2	EA	
57	060194-000	6 WAY VALVE GROUP	1	EA	
58	039726-000	DRAIN HOSE (88.5" LONG)	1	EA	
Comments for Part Num. 039726-000  bradleysapplianceservice@shaw.ca on Jul 15, 2016 IF LONG EXTERIOR DRAIN HOSE IS REQUIRED - FROM BACK OF DISHWASHER TO DRAIN OUTLET - ORDER PART NUMBER: 039726-000 DRAIN HOSE IF SUMP TO BACK OF UNIT DRAIN HOSE IS REQUIRED - INSIDE OF UNIT - ORDER PART NUMBER: 039725-000 SUMP DRAIN HOSE (16 INCHES LONG) Reply by profixappliances@gmail.com on Dec 12, 2017 Thank you for the clarification!					
59	039792-000	COLUMN ASSY	1	EA	
60	039725-000	DRAIN HOSE (16" LONG)	1	EA	
Comments for Part Num. 039725-000  profixappliances@gmail.com on Dec 12, 2017 Per Bradleysapplianceservice: IF LONG EXTERIOR DRAIN HOSE IS REQUIRED - FROM BACK OF DISHWASHER TO DRAIN OUTLET - ORDER PART NUMBER: 039726-000 DRAIN HOSE IF SUMP TO BACK OF UNIT DRAIN HOSE IS REQUIRED - INSIDE OF UNIT - ORDER PART NUMBER: 039725-000 SUMP DRAIN HOSE (16 INCHES LONG)					
61	050798-000	HOSE	1	EA	
62	039867-000	HOSE (VALVE-COUNTER)	1	EA	
63	039866-000	HOSE BETWEEN COUNTER AND REGENERATION U.	1	EA	
64	039873-000	HOSE (OVERFLOW SIPHON TO OVERFLOW FLOAT)	1	EA	
65	039722-000	SUMP GASKET	1	EA	
66	050179-000	FAN MOTOR GROUP	1	EA	Not available online / Call for pricing and availability
67	050796-000	FAN OUTLET PIPE	1	EA	
68	050784-000	FAN SUCTION PIPE	0.4	EA	
69	039957-000	HOSE CLAMP	1	EA	
70	057589-000	HOSE CLAMP (Ø 15.88)	1	EA	
71	039952-000	HOSE CLAMP (Ø 28_7)	2	EA	

Item	Part No.	Name	Qty	Uom	NOTES
72	039953-000	HOSE CLAMP.(+ 34_1)	1	EA	
73	050799-000	HOSE CLAMP	1	EA	
74	039958-000	HOSE CLAMP (Ø 15.88)	1	EA	
75	040591-000	Drain Hose Holder	1	EA	
76	060207-000	MAIN PLUG HOLDER	1	EA	
77	039880-000	SCREW	5	EA	
78	039917-000	BOLT M4X8 D3731 D3421	23	EA	
79	039876-000	SCREW	20	EA	
80	039905-000	SCREW CAP SIDE WALLS	2	EA	
81	039883-000	WASHER	2	EA	
82	039904-000	NOISE ISOLATION FOR TUB RAL 7037.	1	EA	
83	057529-000	NOISE ISOLATION	2	EA	
Not Shown	NOTE	SLIDES ON TRIM OF TUB		EA	
84	039760-000	NOISE ISOLATION	2	EA	
Not Shown	NOTE	STICKS ON SIDE OF UNIT		EA	
85	060174-000	INNER ILLUMINATION CARD HOLDER GR	1	EA	
86	057470-000	DUAL SPRING HOLDER TOP PART	2	EA	
87	057471-000	DUAL SPRING HOLDER LOWER PART	2	EA	
88	061501-000	SUMP CLAMP SCREW TYPE	1	EA	
89	039874-000	HOSE (REGENERATION TO SUMP)	1	EA	
90	039717-000	RAIL CAP	2	EA	
91	065999-000	O-RING	2	EA	
NI	057530-000	ACCESSORIES	1	EA	
Not Shown	NOTE	INSTALL HARDWARE		EA	
NI	071566-000	MOUNTING BRACKET KIT	1	EA	
Not Shown	NOTE	TO SECURE UNIT TO CABINET		EA	
NI	061473-000	AMERICA BOBBIN INTERFERENCE FILTER (POWER MODULE)	1	EA	

VDW302SS Water System parts



Item	Part No.	Name	Qty	Uom	NOTES
1	039785-000	SHELF GROUP	4	EA	
2	060241-000	UPPER RACK GR. RAL 7037	1	EA	
3	057480-000	UPPER BASKET MECHANISM-LEFT	1	EA	
4	057481-000	UPPER BASKET MECHANISM-RIGHT	1	EA	
5	060184-000	LOWER BASKET GROUP	1	EA	
6	060707-000	GRD LOWER BASKET WHEEL GROUP	8	EA	Not available online / Call for pricing and availability
7	039788-000	PLATE HOLDER-LEFT	2	EA	
8	039789-000	PLATE HOLDER-RIGHT	2	EA	
9	050885-000	FOLDING PART OF BOTTOM BASKET	1	EA	
10	057489-000	FOLDING PART OF BOTTOM BASKET	1	EA	
11	050821-000	LOWER BASKET CLIPS (SHORT)	3	EA	
11	039855-000	LOWER BASKET CLIPS (LONG)	3	EA	
12	050883-000	LOWER BASKET HANDLE	1	EA	
13	057482-000	CUTLERY BASKET GROUP	1	EA	
14	039791-000	CUTLERY BASKET SEPARATOR	2	EA	
15	039861-000	UPPER BASKET CLIPS	11	EA	
16	039783-000	FOLDING PART CLIPS RIGHT	1	EA	
17	059870-000	UPPER BASKET SUPPORT WIRE	1	EA	
18	059871-000	UPPER BASKET SUPPORT WIRE	1	EA	
19	057494-000	GRD FOLDING PART	1	EA	
20	050816-000	UPPER TRAY RAIL HOLDER	2	EA	
21	050817-000	CONNECTING WASHER	4	EA	
22	060164-000	LOWER SPRAY ARM GROUP	1	EA	
23	060165-000	UPPER SPRAY ARM GROUP	1	EA	
24	039862-000	UPPER SPRAY ARM FEED PIPE	1	EA	
25	039870-000	GASKET	1	EA	

Item	Part No.	Name	Qty	Uom	NOTES
26	039847-000	CEILING SPRAY ARM FEED PIPE	1	EA	
27	039841-000	CEILING SPRAY GROUP	1	EA	
28	039840-000	WATER SUPPLY TUBE GROUP	1	EA	
29	060198-000	METAL FILTER GROUP	1	EA	
30	060199-000	HALF FILTER SUPPORT ZONE	1	EA	
31	060196-000	MICRO FILTER GROUP_2	1	EA	
32	057474-000	COARSE FILTER	1	EA	
33	039945-000	SCREW	3	EA	
34	039880-000	SCREW	5	EA	
35	050809-000	UPPER TRAY FRAME WIRE	1	EA	
36	050811-000	UPPER TRAY DRAWER HOLDER-LEFT	1	EA	
37	050812-000	UPPER TRAY DRAWER HOLDER-RIGHT	1	EA	
38	050815-000	CEILING RAIL	2	EA	
39	050810-000	UPPER TRAY HOLDER	1	EA	
40	060177-000	UPPER TRAY RAIL CAP-RIGHT RAL 7037	1	EA	
41	060178-000	UPPER TRAY RAIL CAP-LEFT RAL7037	1	EA	
42	060176-000	UPPER TRAY GROUP	1	EA	
43	060195-000	ZONE WASH GROUP	1	EA	



Appendix A:Pages Index

VDW302SS Chassis parts .....	2
VDW302SS Door parts .....	1
VDW302SS Water System parts .....	3



## Appendix B:Parts Index

039713-000	1	039874-000	2
039714-000	1	039876-000	1, 2
039715-000	1	039877-000	1
039717-000	2	039880-000	2, 3
039720-000	1	039882-000	1
039722-000	2	039883-000	2
039723-000	2	039885-000	2
039725-000	2	039886-000	2
039726-000	2	039887-000	2
039738-000	1	039889-000	2
039739-000	1	039893-000	2
039756-000	2	039894-000	2
039758-000	2	039898-000	2
039760-000	2	039900-000	2
039761-000	2	039901-000	2
039763-000	2	039904-000	2
039765-000	2	039905-000	2
039767-000	2	039908-000	1
039768-000	2	039910-000	2
039769-000	2	039913-000	2
039773-000	1, 2	039914-000	1
039777-000	2	039916-000	1
039783-000	3	039917-000	1, 2
039785-000	3	039918-000	2
039788-000	3	039921-000	2
039789-000	3	039923-000	2
039791-000	3	039924-000	1
039792-000	2	039925-000	1
039840-000	3	039926-000	1
039841-000	3	039928-000	1
039847-000	3	039932-000	1
039855-000	3	039933-000	2
039861-000	3	039934-000	2
039862-000	3	039935-000	1
039866-000	2	039937-000	2
039867-000	2	039938-000	2
039868-000	2	039941-000	2
039870-000	3	039942-000	2
039872-000	2	039943-000	2
039873-000	2	039945-000	3
		039949-000	2



039950-000	2	057529-000	2
039952-000	2	057530-000	2
039953-000	2	057589-000	2
039957-000	2	059866-000	2
039958-000	2	059870-000	3
040591-000	2	059871-000	3
050179-000	2	059878-000	1
050777-000	2	060153-000	1
050778-000	2	060154-000	1
050780-000	2	060155-000	1
050782-000	2	060156-000	1
050784-000	2	060157-000	2
050796-000	2	060160-000	1
050797-000	2	060161-000	1
050798-000	2	060163-000	1
050799-000	2	060164-000	3
050809-000	3	060165-000	3
050810-000	3	060166-000	1
050811-000	3	060167-000	2
050812-000	3	060170-000	1
050815-000	3	060174-000	2
050816-000	3	060176-000	3
050817-000	3	060177-000	3
050821-000	3	060178-000	3
050831-000	1	060180-000	1
050883-000	3	060181-000	2
050885-000	3	060182-000	2
050887-000	2	060184-000	3
050891-000	2	060187-000	2
057470-000	2	060188-000	2
057471-000	2	060189-000	1
057474-000	3	060190-000	1
057480-000	3	060191-000	1
057481-000	3	060192-000	1
057482-000	3	060194-000	2
057489-000	3	060195-000	3
057494-000	3	060196-000	3
057495-000	2	060198-000	3
057516-000	2	060199-000	3
057517-000	2	060205-000	1
057525-000	1	060207-000	2





060210-000	1
060241-000	3
060707-000	3
060762-000	2
060763-000	1
061473-000	2
061486-000	2
061501-000	2
062826-000	2
063715-000	1
065087-000	1
065999-000	2
069746-000	1
069747-000	1
071566-000	2
076005-000	1, 1
PD030008	1
PE010016	1